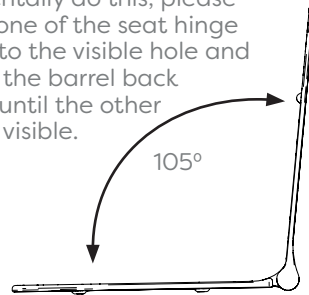


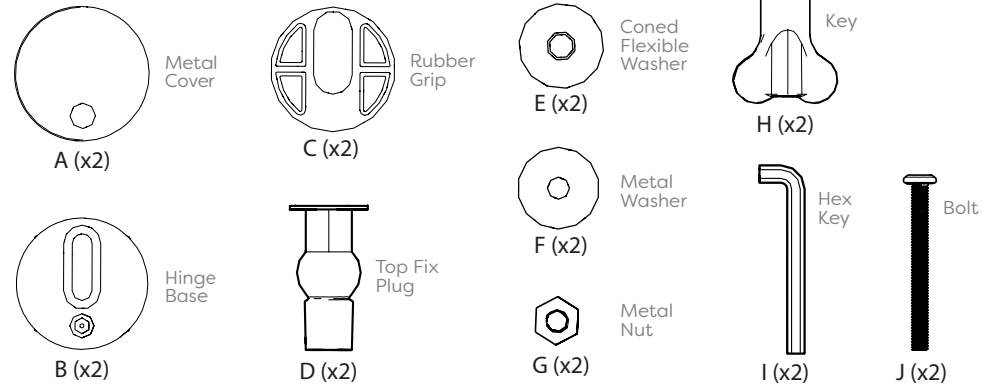
## SAFETY & CARE

1. To retain the best quality finish, clean product with a soft cloth and a mild soap solution.
2. Do not use abrasive or chemical cleaners as they may damage the surface of the toilet seat or hinges.
3. Spray cleaning liquids onto the cloth and not directly onto the product.
4. Take care when cleaning the toilet pan with chemical cleaners. Avoid contact of the chemical cleaners with the toilet seat or hinges. Immediately rinse off any splashes to avoid damage or discolouration to the surface of the toilet seat and hinge parts.

5. Please do not open beyond 105 degrees before installation. If you accidentally do this, please insert one of the seat hinge pins into the visible hole and rotate the barrel back round until the other hole is visible.

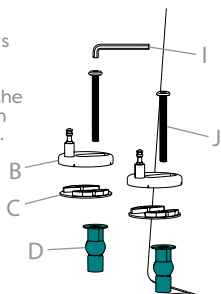


## FITTING PACK

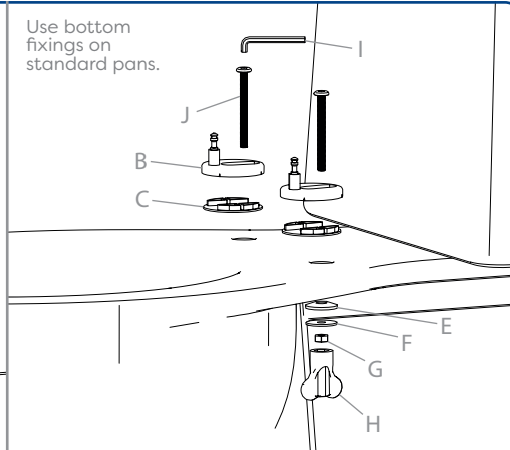


- 1 Loosely fit the brackets to the pan using either the top or bottom fittings.

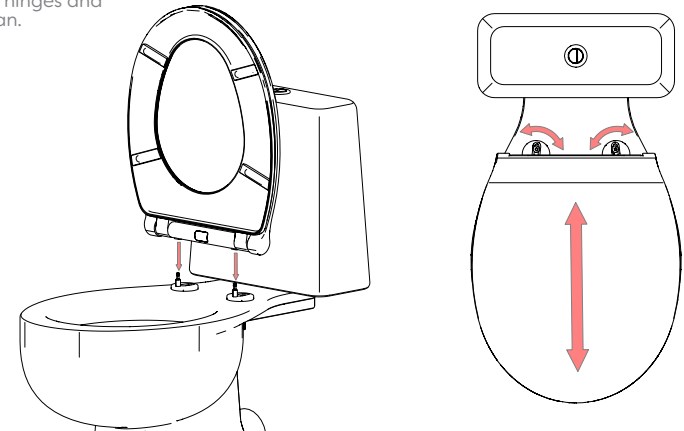
Use top fixings if you cannot access the underside of the fixing holes on the toilet pan.



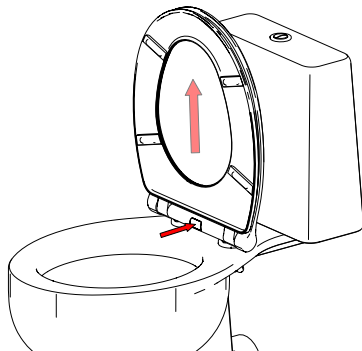
Use bottom fixings on standard pans.



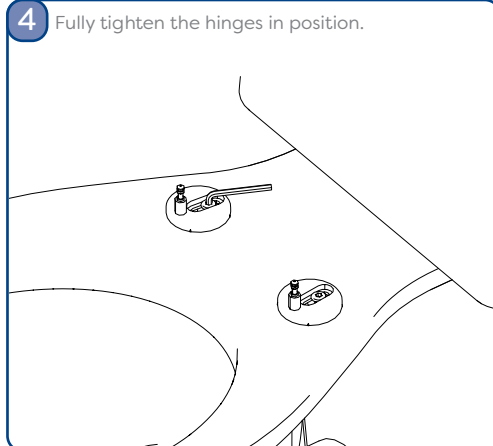
- 2 Attach the seat onto the hinges and adjust to fit your toilet pan.



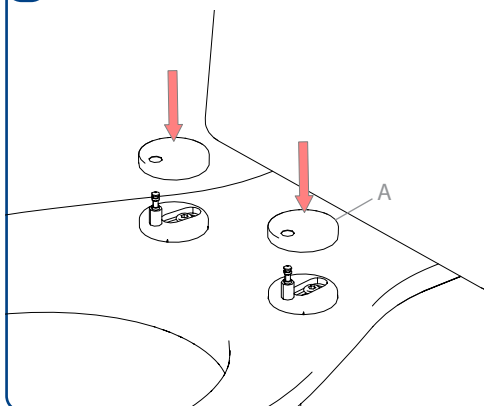
- 3 Once aligned, lift the seat upright whilst ensuring the hinges do not move. Then fully push and release the centre button and lift the seat away from the hinges.



- 4 Fully tighten the hinges in position.



- 5 Place the metal covers over the hinges and re-attach the toilet seat.



## FOR CLEANING

Look to step 3 for instructions on how to utilise the quick release function which allows you to remove the seat for cleaning.