

# SOFT CLOSE, QUICK RELEASE TOILET SEAT (J-X49 HINGE BARREL)



## CONTACT DETAILS

Croydex  
Central Way  
Andover  
Hampshire  
SP10 5AW  
UK

Tel: +44 (0)1264 365881

Email: [info@croydex.co.uk](mailto:info@croydex.co.uk)

[www.croydex.com](http://www.croydex.com)

**ALL PRODUCT DIMENSIONS DETAILED IN THIS INSTALLATION AND MAINTENANCE MANUAL ARE APPROXIMATE**

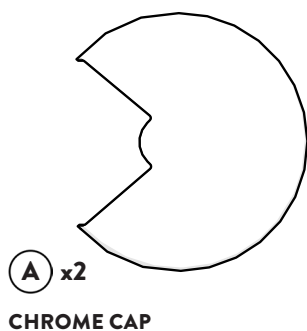
**ALL ILLUSTRATIONS OF THE PRODUCT ARE FOR REFERENCE ONLY. COMPONENTS SUPPLIED WITH INDIVIDUAL PRODUCTS MAY DIFFER**

Please follow all assembly and product care instructions to ensure that your product is assembled safely and retains it's high quality finish.

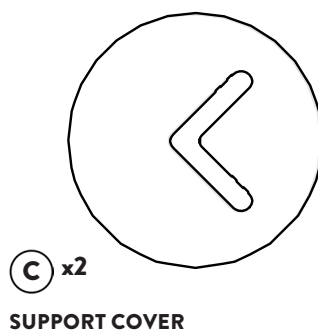
**PLEASE RETAIN THIS MANUAL FOR FUTURE REFERENCE**

## SAFETY & PRODUCT CARE

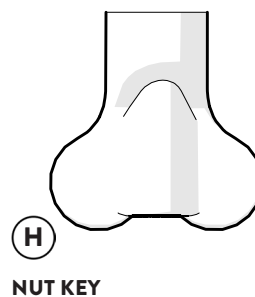
1. To retain the best quality finish, clean product with a soft cloth and a mild soap solution.
2. **DO NOT** use abrasive or chemical cleaners as they may damage the surface of the toilet seat or hinges.
3. Spray any cleaning liquids onto the cloth and not directly onto the product.
4. **DO NOT** force the seat down as this can cause damage to the product and its function.
5. Take care when cleaning the toilet pan with chemical cleaners. Avoid contact of the chemical cleaners with the toilet seat or hinges. Immediately rinse off any splashes to avoid damage or discolouration to the surface of the toilet seat and hinge parts.



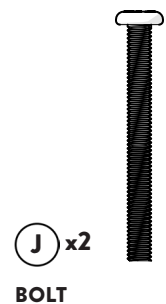
**A** x2  
CHROME CAP



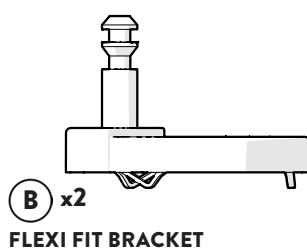
**C** x2  
SUPPORT COVER



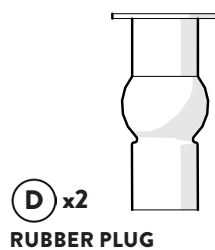
**H**  
NUT KEY



**J** x2  
BOLT



**B** x2  
FLEXI FIT BRACKET



**D** x2  
RUBBER PLUG



**E** x2  
CONICAL WASHER



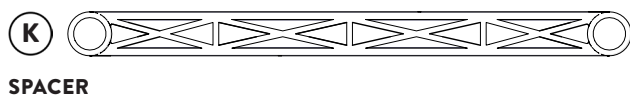
**F** x2  
WASHER



**G** x2  
NUT



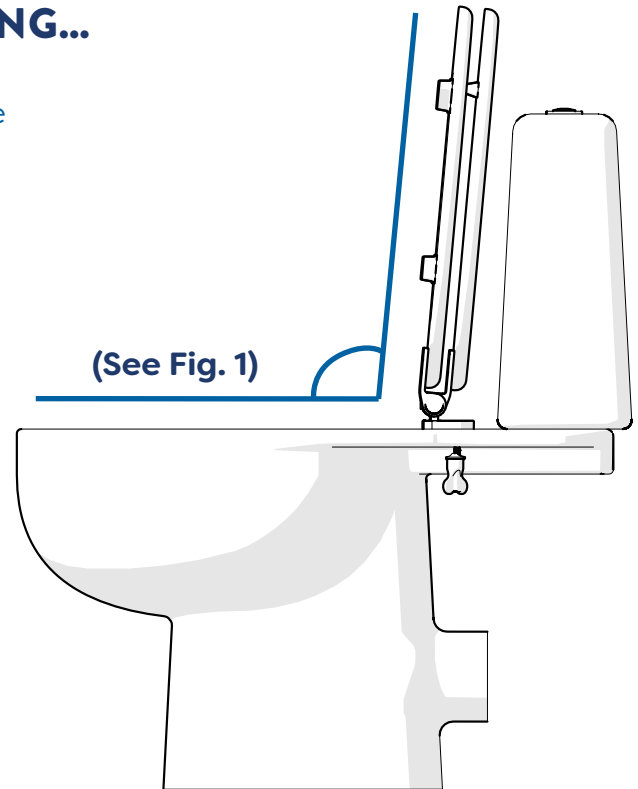
**I**  
HEX KEY



**K**  
SPACER

## WHAT TO KNOW BEFORE INSTALLING...

1. When positioning the seat onto the pan ensure that the lid and ring can be lifted and remain upright on the pan. **(See Fig. 1)**
2. Before activating the grip pad technology, ensure the toilet seat is in a perfect position as it can be difficult to reposition when attached.
3. **DO NOT** open the lid and ring before mounting on the toilet pan.
4. **DO NOT** force open the seat beyond its mechanical limit before fitting it. This will damage the product.
5. **DO NOT** force the seat down as this can cause damage to the product and its function.
6. To remove the seat at the end of its use, use a scraper to carefully lever the hinge away from the toilet pan.



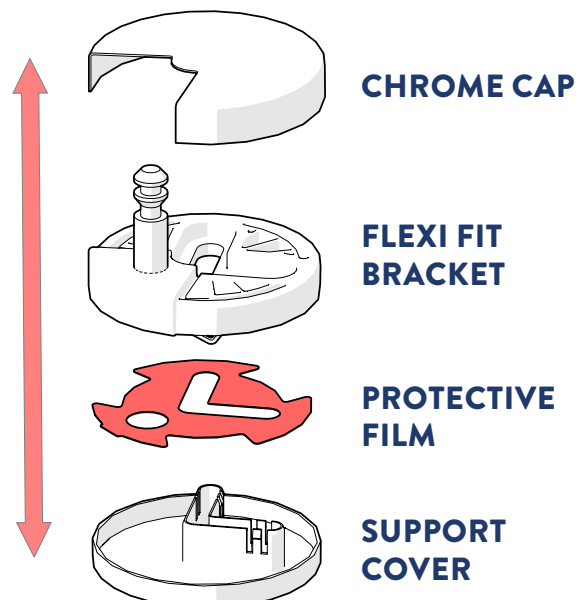
## PLACEMENT

In its sealed packaging place the seat over your pan to ensure you are happy with size and shape of the toilet seat.

## PREPARATION

1. Remove the old seat from the pan and clean the surface around the fixing holes.
2. Ensure the surfaces around the fixing holes are completely dry before beginning the installation.
3. To ensure you do not lose any components down the toilet you may want to place cling film over the bowl of the toilet.

4. Remove the support covers and peel back the Grip Pad protective film on each hinge, exposing the Grip Pad adhesive.



# INSTALLATION

1. Identify your toilet pan style. **Loosely** install the Flexi Fit bracket through the mounting holes using either bottom installation (See Fig. 2) or top installation (See Fig. 3).

**DO NOT COLLAPSE THE SUPPORTS.**

## BOTTOM FIX INSTALLATION

This installation is designed to be used on 'standard' toilets with access below the toilet pan.



Examples of Bottom Fix toilet pans.

## CHOOSE BETWEEN

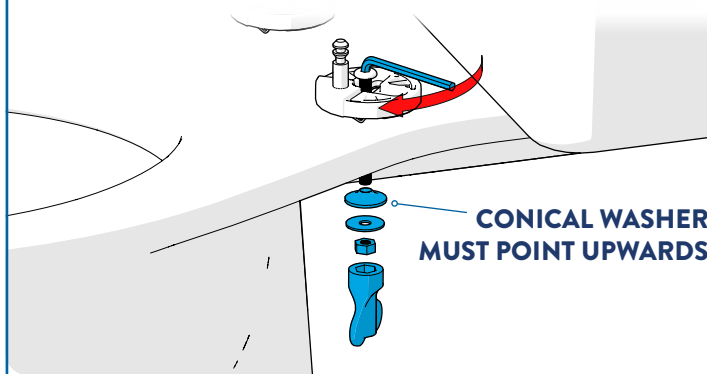
OR

## TOP FIX INSTALLATION

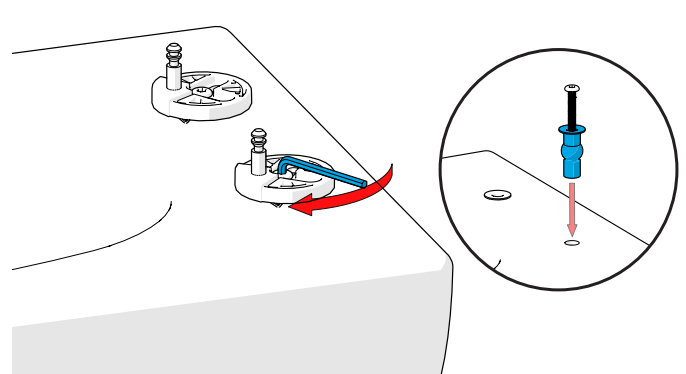
This installation is designed to be used on 'back to wall' toilets with no access below the toilet pan.



Examples of Top Fix toilet pans.



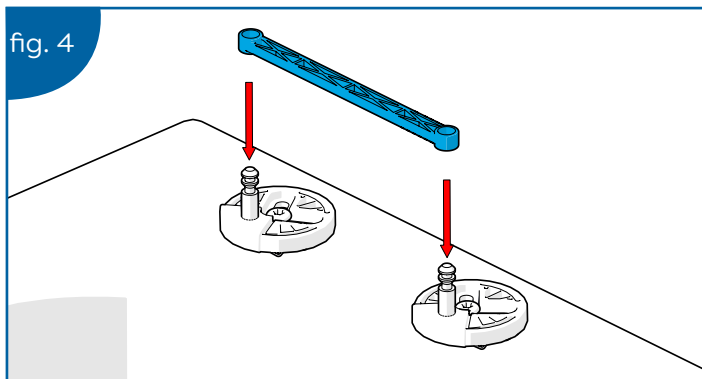
(Fig. 2)



(Fig. 3)

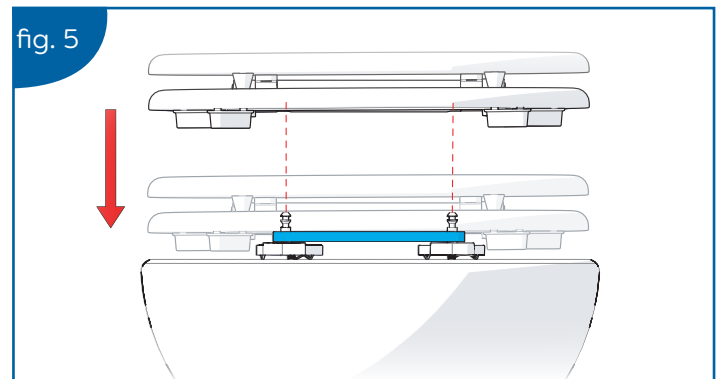
2. Slide the spacer onto both pillars. Rotate the Flexi Fit brackets if necessary.

(See Fig. 4)



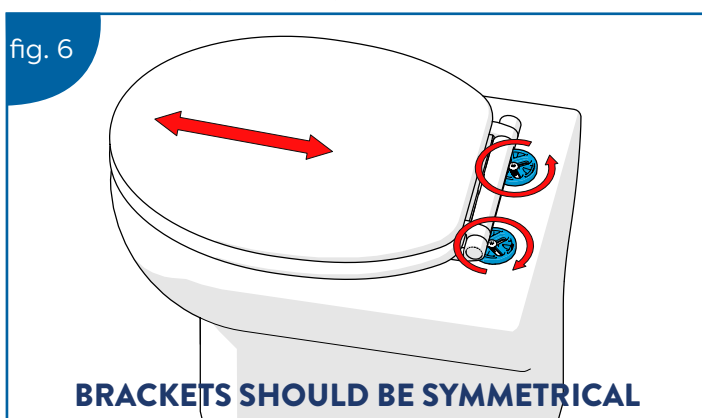
3. Lay the seat onto the pillars and rest it on the spacer. Allow the seat to fall flat.

(See Fig. 5)



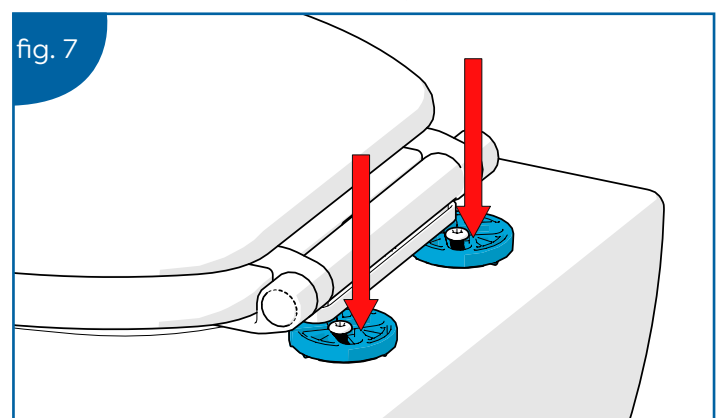
4. Align the seat with your toilet pan by rotating and sliding the Flexi Fit brackets. If required, lift the seat off the pillars to help with the adjustment.

(See Fig. 6)

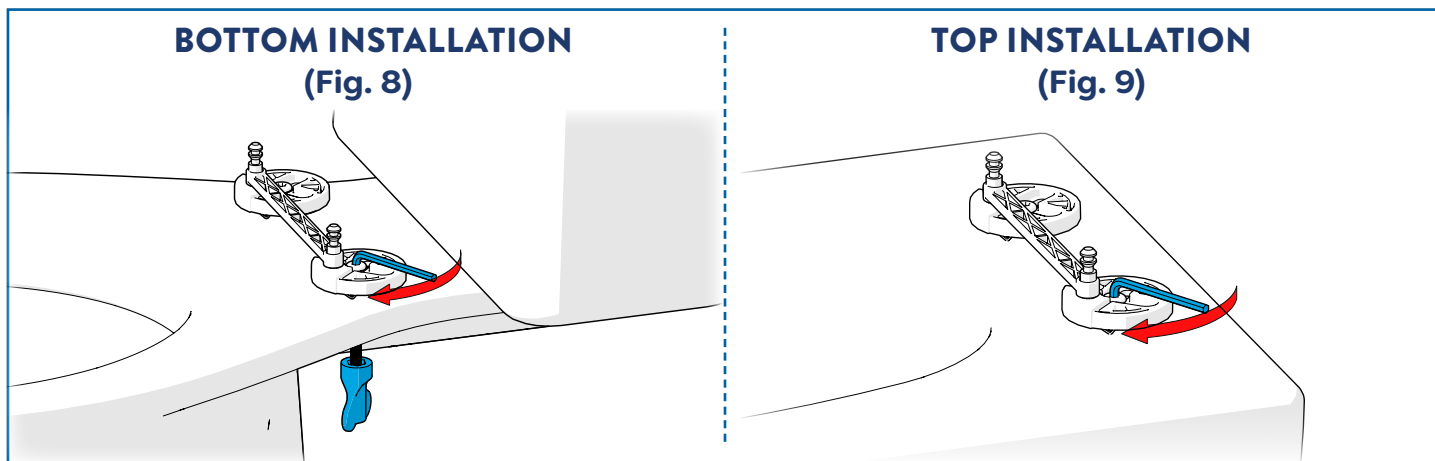


5. Once you are confident with the position of your seat, apply pressure on each Flexi Fit bracket and collapse the supports.

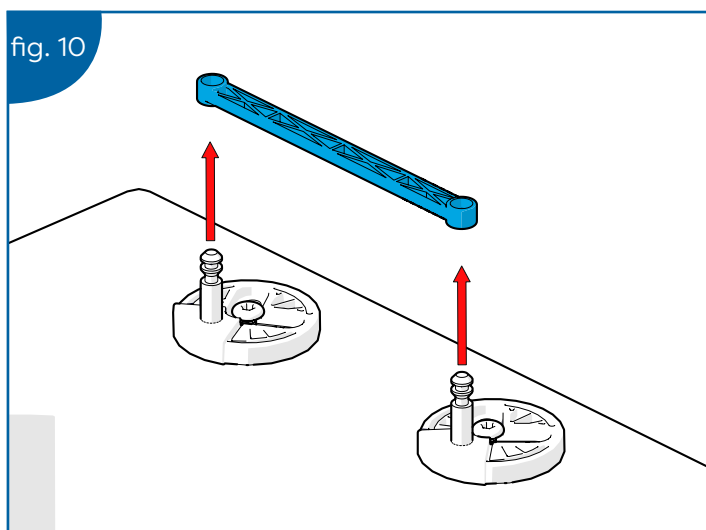
**Hold down for 20 seconds.** (See Fig. 7)



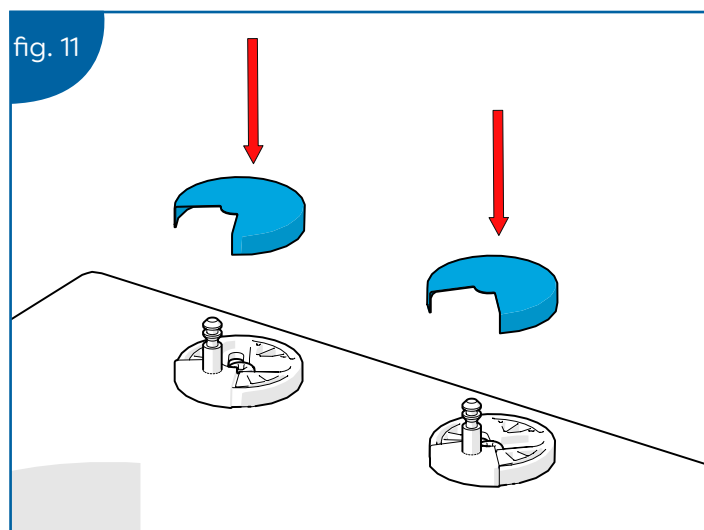
6. Carefully remove the seat, **avoid disturbing the bracket positions** and fully tighten the bolts to firmly secure the Flexi Fit brackets. (See Fig. 8 and 9). Be careful not to over-tighten.



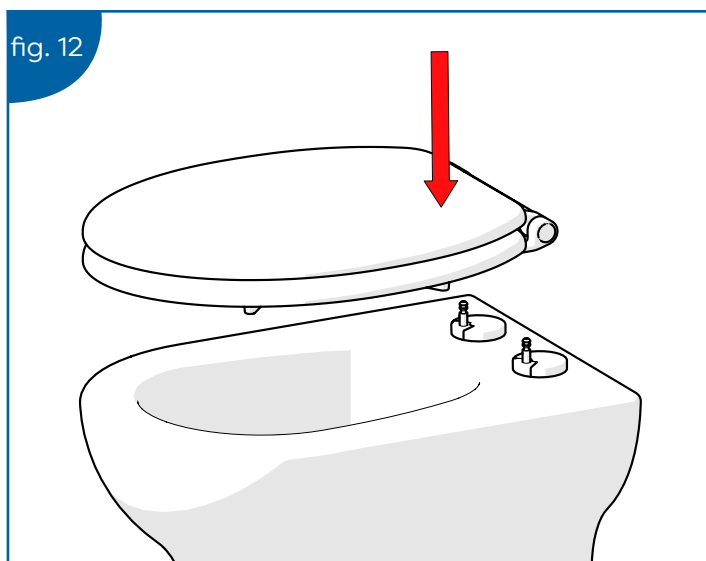
7. Remove the spacer from the Flexi Fit Bracket. (See Fig. 10)



8. Place the chrome caps onto the brackets. (See Fig. 11)



9. Attach the seat onto the hinges to complete the installation. You should hear a click to confirm it is engaged. (See Fig. 12)



10. To activate the quick release function, press and hold the button, then lift the seat away. (See Fig. 13)

