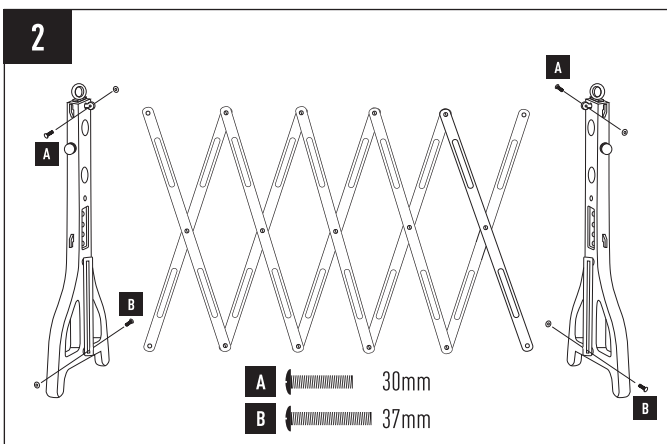
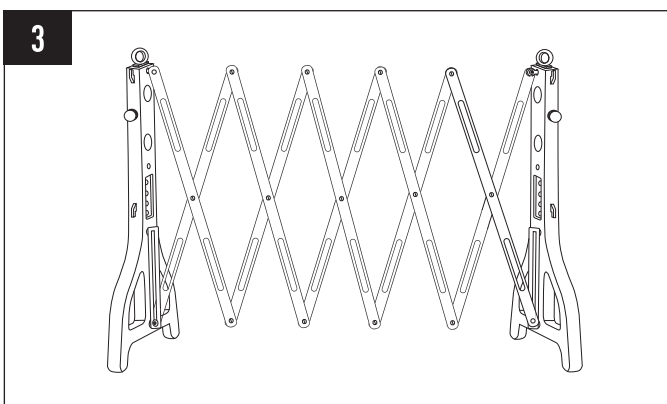


INSERT EYE PINS INTO TOP OF PILLARS AS SHOWN.



SECURE CONCERTINA SECTION TO TOP AND BOTTOM OF PILLERS USING THE NUTS, WASHERS AND BOLTS PROVIDED.



REMOVE SCREWCAP TO FILL PILLARS WITH SAND OR WATER FOR INCREASED WEIGHT AND STABILITY.

* 5 YEAR GUARANTEE -
For terms and conditions visit:
olympia-tools.co.uk/guarantee



98-820

UK: Olympia Tools [UK] Ltd, Bull Lane,
Wednesbury, West Midlands, WS10 8RW

EU: Tucks O'Brien Ltd, 24 Magna Drive,
Magna Business Park, Citywest Road,
Dublin D24 FNYO, Ireland

olympia-tools.co.uk