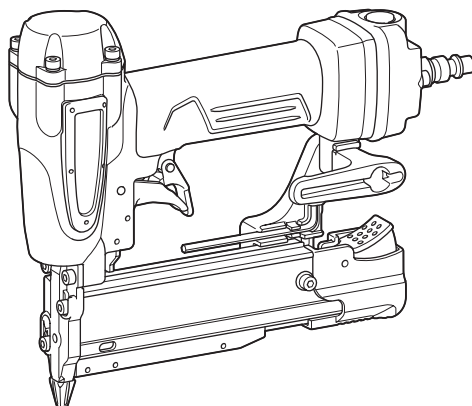


INSTRUCTION MANUAL



Pneumatic Pin Nailer

AF353



Read before use.



Warning: Please read the instructions and warnings for this tool carefully before use. Failure to do so could lead to serious injury.

SPECIFICATIONS

Model:	AF353
Air pressure	0.45 - 0.69 MPa (4.5 - 6.9 bar)
Nail length	15, 18, 19, 25, 30, 35 mm
Nail capacity	130 pcs.
Minimum hose diameter	6.5 mm
Pneumatic tool oil	ISO VG32 or equivalent
Dimensions (L x W x H)	208 mm x 66 mm x 191 mm
Net weight	0.9 kg

- Due to our continuing program of research and development, the specifications herein are subject to change without notice.
- Specifications may differ from country to country.
- Weight according to EPTA-Procedure 01/2003

Symbols

The following show the symbols used for the equipment. Be sure that you understand their meaning before use.



Read instruction manual.



Wear safety glasses.



The tool has the capability of operating in contact actuation mode.



Wear ear protection.



Do not use on scaffoldings, ladders.

Intended use

The tool is intended for fastening on interior work and furniture work.

Noise

The typical A-weighted noise level determined according to EN792:

Sound pressure level (L_{pA}): 73 dB(A)

Uncertainty (K): 3 dB(A)

The noise level under working may exceed 80 dB (A).

⚠ WARNING: Wear ear protection.

Vibration

The vibration total value determined according to EN792:

Vibration emission (a_{hv}): 2.5 m/s² or less

Uncertainty (K): 1.5 m/s²

NOTE: The declared vibration emission value has been measured in accordance with the standard test method and may be used for comparing one tool with another.

NOTE: The declared vibration emission value may also be used in a preliminary assessment of exposure.

⚠ WARNING: The vibration emission during actual use of the power tool can differ from the declared emission value depending on the ways in which the tool is used.

⚠ WARNING: Be sure to identify safety measures to protect the operator that are based on an estimation of exposure in the actual conditions of use (taking account of all parts of the operating cycle such as the times when the tool is switched off and when it is running idle in addition to the trigger time).

SAFETY WARNINGS

Pneumatic nailer/stapler safety warnings

⚠ WARNING: WARNING Read all safety warnings and all instructions. Failure to follow the warnings and instructions may result in serious injury, electric shock and/or fire.

Save all warnings and instructions for future reference.

For personal safety and proper operation and maintenance of the tool, read this instruction manual before using the tool.

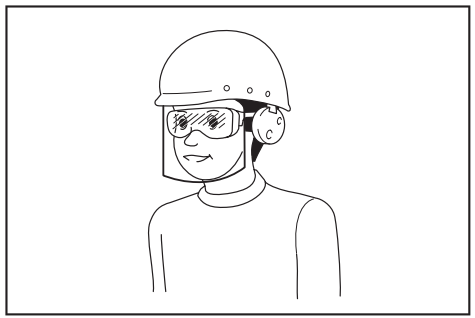
General safety

1. **Any other use except for intended use of this tool is forbidden. Fastener driving tools with continual contact actuation or contact actuation shall only be used for production applications.**
2. **Keep fingers away from trigger when not operating this tool and when moving from one operating position to another.**

3. **Multiple hazards.** Read and understand the safety instructions before connecting, disconnecting, loading, operating, maintaining, changing accessories on, or working near the tool. Failure to do so can result in serious bodily injury.
4. **Keep all body parts** such as hands and legs etc. away from firing direction and ensure fastener cannot penetrate workpiece into parts of the body.
5. **When using the tool,** be aware that the fastener could deflect and cause injury.
6. **Hold the tool with a firm grasp** and be prepared to manage recoil.
7. **Only technically skilled operators** should use the fastener driving tool.
8. **Do not modify the fastener driving tool.** Modifications may reduce the effectiveness of safety measures and increase the risks to the operator and/or bystander.
9. **Do not discard the instruction manual.**
10. **Do not use a tool if the tool has been damaged.**
11. **Be careful when handling fasteners,** especially when loading and unloading, as the fasteners have sharp points which could cause injury.
12. **Always check the tool before use** for broken, misconnected or worn parts.
13. **Do not overreach.** Only use in a safe working place. Keep proper footing and balance at all times.
14. **Keep bystanders away** (when working in an area where there is a likelihood of through traffic of people). Clearly mark off your operating area.
15. **Never point the tool at yourself or others.**
16. **Do not rest your finger on the trigger** when picking up the tool, moving between operating areas and positions or walking, as resting finger on trigger can lead to inadvertent operation. For tools with selective actuation, always check the tool before use to ascertain the correct mode is selected.
17. **Only wear gloves that provide adequate feel and safe control of triggers** and any adjusting devices.
18. **When resting the tool,** lay it down on the flat surface. If you use the hook equipped with the tool, hook the tool securely on the stable surface.
19. **Do not operate when under the influence of alcohol, drugs or the like.**

Projectile hazards

1. The fastener driving tool shall be disconnected when unloading fasteners, making adjustments, clearing jams or changing accessories.
2. During operation be careful that fasteners penetrate material correctly and cannot be deflected/misfired towards operator and/or any bystanders.
3. During operation, debris from workpiece and fastening/collation system may be discharged.
4. Always wear impact-resistant eye protection with side shields during operation of the tool.



WARNING: It is an employer's responsibility to enforce the use of safety eye protection equipment by the tool operators and by other persons in the immediate working area.

For Australia and New Zealand only
Always wear safety glasses and face shield to protect your eyes from dust or fastener injury. The safety glasses and the face shield should conform with the requirements of AS/NZS 1336.

5. The risks to others shall be assessed by the operator.
6. Be careful with tools without workpiece contact as they can be fired unintentionally and injure operator and/or bystander.
7. Ensure tool is always safely engaged on the workpiece and cannot slip.
8. Wear hearing protection to protect your ears against exhaust noise and head protection. Also wear light but not loose clothing. Sleeves should be buttoned or rolled up. No necktie should be worn.

Operating hazards

1. Hold the tool correctly: be ready to counteract normal or sudden movements such as recoil.
2. Maintain a balanced body position and secure footing.
3. Appropriate safety glasses shall be used and appropriate gloves and protective clothing are recommended.
4. Appropriate hearing protection shall be worn.
5. Use the correct energy supply as directed in the instruction manual.
6. This tool has either selective actuation for contact actuation or continuous contact actuation by actuation mode selectors or is a contact actuation or continuous actuation contact tool and has been marked with the symbol above. Its intended uses are for production applications such as pallets, furniture, manufactured housing, upholstery and sheathing.
7. If using this tool in selective actuation mode, always ensure it is in the correct actuation setting.
8. Do not use this tool in contact actuation for applications such as closing boxes or crates and fitting transportation safety systems on trailers and lorries.
9. Be careful when changing from one driving location to another.
10. Always assume that the tool contains fasteners.
11. Do not rush the job or force the tool. Handle the tool carefully.

12. **Never use fastener driving tools marked with the symbol "Do not use on scaffoldings, ladders" for specific application for example:**
 - when changing one driving location to another involves the use of scaffoldings, stairs, ladders, or ladder alike constructions, e.g. roof laths;
 - closing boxes or crates;
 - fitting transportation safety systems e.g. on vehicles and wagons.
13. **Watch your footing and maintain your balance with the tool.** Make sure there is no one below when working in high locations, and secure the air hose to prevent danger if there is sudden jerking or catching.
14. **On rooftops and other high locations, drive fasteners as you move forward.** It is easy to lose your footing if you drive fasteners while inching backward. When driving fasteners against perpendicular surface, work from the top to the bottom. You can perform driving operations with less fatigue by doing so.
15. **A fastener will be bent or the tool can become jammed if you mistakenly drive fastener on top of another fastener or strike a knot in the wood. The fastener may be thrown and hit someone, or the tool itself can react dangerously. Place the fasteners with care.**
16. **Do not leave the loaded tool or the air compressor under pressure for a long time out in the sun. Be sure that dust, sand, chips and foreign matter will not enter the tool in the place where you leave it setting.**
17. **Never attempt to drive fasteners from both the inside and outside at the same time.** Fasteners may rip through and/or fly off, presenting a grave danger.

Repetitive motions hazards

1. When using a tool for long periods, the operator may experience discomfort in the hands, arms, shoulders, neck, or other parts of the body.
2. While using a tool, the operator should adopt a suitable but ergonomic posture. Maintain secure footing and avoid awkward or off-balanced postures.
3. If the operator experiences symptoms such as persistent or recurring discomfort, pain, throbbing, aching, tingling, numbness, burning sensation, or stiffness, do not ignore these warning signs. The operator should consult a qualified health professional regarding overall activities.

Accessory and consumable hazards

1. Disconnect the energy supply to the tool, such as air or gas or battery as applicable, before changing/replacing accessories such as workpiece contact, or making any adjustments.
2. Use only the sizes and types of accessories that are provided by the manufacturer.
3. Use only lubricants recommended in this manual.

Workplace hazards

1. Slips, trips and falls are major causes of workplace injury. Be aware of slippery surfaces caused by use of the tool and also of trip hazards caused by the air line hose.
2. Proceed with additional care in unfamiliar surroundings. Hidden hazards may exist, such as electricity or other utility lines.

3. This tool is not intended for use in potentially explosive atmospheres and is not insulated from coming into contact with electric power.
4. Make sure there are no electrical cables, gas pipes etc. that could cause a hazard if damaged by use of the tool.
5. **Keep work area clean and well lit.** Cluttered or dark areas invite accidents.
6. **Illuminate the work area sufficiently.**
7. There may be local regulations concerning noise which must be complied with by keeping noise levels within prescribed limits. In certain cases, shutters should be used to contain noise.

Dust and exhaust hazards

1. **Always check your surroundings. The air exhausted from the tool may blow dust or objects and hit operator and/or bystanders.**

Noise hazards

1. Unprotected exposure to high noise levels can cause permanent, disabling, hearing loss and other problems such as tinnitus (ringing, buzzing, whistling or humming in the ears).
2. Appropriate controls to reduce the risk may include actions such as damping materials to prevent workpieces from "ringing".
3. Use appropriate hearing protection.
4. Operate and maintain the tool as recommended in these instructions, to prevent an unnecessary increase in noise levels.
5. The noise values are tool-related characteristic values and do not represent the noise generation at the point of use. Noise at the point of use will for example depend on the working environment, the workpiece, the workpiece support, and the number of driving operations.

Vibration hazards

1. The vibration emission value is a tool-related characteristic value and does not represent the influence to the hand-arm-system when using the tool. Any influence to the hand-arm-system when using the tool will for example depend on the gripping force, the contact pressure force, the working direction, the adjustment of energy supply, the workpiece, the workpiece support.
2. Exposure to vibration can cause disabling damage to the nerves and blood supply of the hands and arms.
3. Wear warm clothing when working in cold conditions, keep your hands warm and dry.
4. If you experience numbness, tingling, pain or whitening of the skin in your fingers or hands, seek medical advice from a qualified occupational health professional regarding overall activities.
5. Operate and maintain the tool as recommended in these instructions, to prevent an unnecessary increase in vibration levels.
6. Hold the tool with a light, but safe, grip because the risk from vibration is generally greater when the grip force is higher.

Additional safety instructions for pneumatic tools

1. Compressed air can cause severe injury.
2. Always shut off air supply, and disconnect tool from air supply when not in use.

3. Always disconnect the tool from the compressed air supply before changing accessories, making adjustments and/or repairs, when moving away from an operating area to a different area.
4. Keep fingers away from trigger when not operating the tool and when moving from one operating position to another.
5. Never direct compressed air at yourself or anyone else.
6. Whipping hoses can cause severe injury. Always check for damaged or loose hoses or fittings.
7. Never carry a pneumatic tool by its hose.
8. Never drag a pneumatic tool by its hose.
9. When using pneumatic tools, do not exceed the maximum operating pressure ps max.
10. Pneumatic tools should only be powered by compressed air at the lowest pressure required for the work process to reduce noise and vibration, and minimize wear.
11. Using oxygen or combustible gases for operating pneumatic tools creates a fire and explosion hazard.
12. Be careful when using pneumatic tools as the tool could become cold, affecting grip and control.

Recoil and Disposal

1. The continuous use of the tool may cause repetitive strain injury due to recoil produced by the tool.
2. Follow local regulations when disposing of the tool.

Safety devices

1. **Make sure all safety systems are in working order before operation.** The tool must not operate if only the trigger is pulled or if only the contact arm is pressed against the wood. It must work only when both actions are performed. Test for possible faulty operation with fasteners unloaded and the pusher in fully pulled position.
2. **Securing the trigger in the ON position is very dangerous.** Never attempt to fasten the trigger.
3. **Do not attempt to keep the contact element depressed with tape or wire.** Death or serious injury may occur.
4. **Always check contact element as instructed in this manual.** Fasteners may be driven accidentally if the safety mechanism is not working correctly.

Loading fasteners

1. **Use only fasteners specified in this manual.** The use of any other fasteners may cause malfunction of the tool.

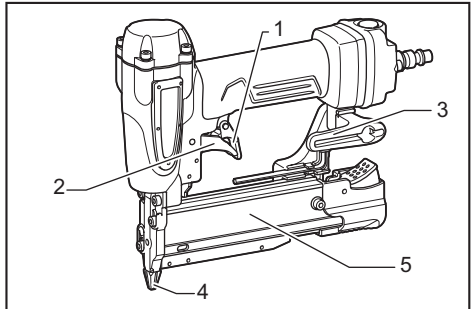
Service

1. **Perform cleaning and maintenance right after finishing the job.** Keep the tool in tip-top condition. Lubricate moving parts to prevent rusting and minimize friction-related wear. Wipe off all dust from the parts.
2. **Ask Makita authorized service center for periodic inspection of the tool.**
3. **To maintain product SAFETY and RELIABILITY, maintenance and repairs should be performed by Makita Authorized Service Centers, always using Makita replacement parts.**

SAVE THESE INSTRUCTIONS.

⚠WARNING: DO NOT let comfort or familiarity with product (gained from repeated use) replace strict adherence to safety rules for the subject product. MISUSE or failure to follow the safety rules stated in this instruction manual may cause serious personal injury.

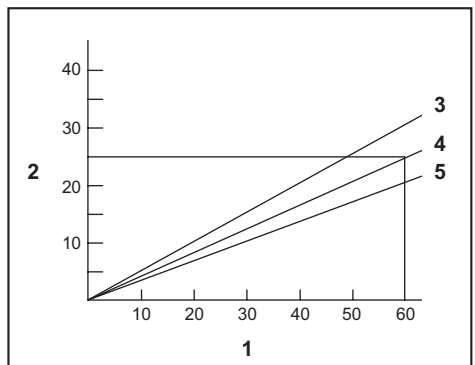
PARTS DESCRIPTION



- ▶ 1. Lock lever 2. Trigger 3. Hook 4. Nose adapter
5. Sliding door

INSTALLATION

Selecting compressor



1. Nailing frequency (times/min) 2. Compressor air output per minute (L/min) 3. 0.69 MPa (6.9 bar) 4. 0.57 MPa (5.7 bar) 5. 0.45 MPa (4.5 bar)

The air compressor must comply with the requirements of EN60335-2-34.

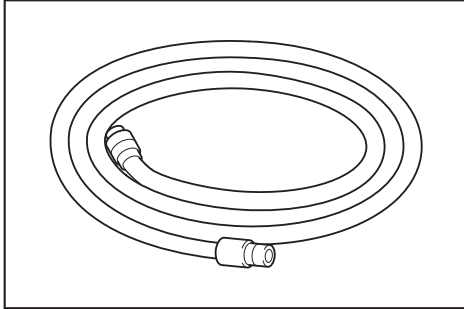
Select a compressor that has ample pressure and air output to assure cost-efficient operation. The graph shows the relation between nailing frequency, applicable pressure and compressor air output.

Thus, for example, if nailing takes place at a rate of approximately 60 times per minute at a compression of 0.57 MPa (5.7 bar), a compressor with an air output over 25 liters/minute is required.

Pressure regulators must be used to limit air pressure to the rated pressure of the tool where air supply pressure exceeds the tool's rated pressure. Failure to do so may result in serious injury to tool operator or persons in the vicinity.

Selecting air hose

CAUTION: Low air output of the compressor, or a long or smaller diameter air hose in relation to the nailing frequency may cause a decrease in the driving capability of the tool.

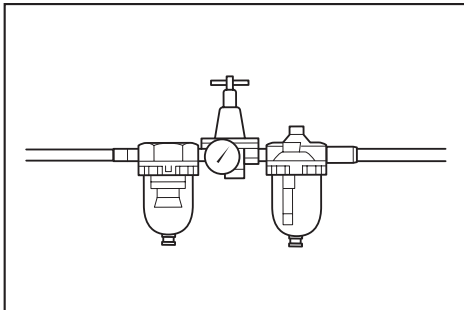


Use an air hose as large and as short as possible to assure continuous, efficient nailing operation.

With an air pressure of 0.49 MPa (4.9 bar), an air hose with an internal diameter of over 6.5 mm and a length of less than 20 m is recommended when the interval between each nailing is 0.5 seconds.

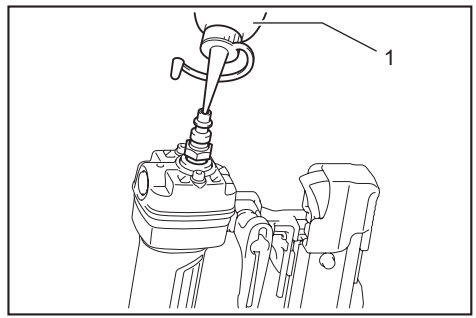
Air supply hoses shall have a minimum working pressure rating of 1.03 MPa (10.3 bar) or 150 percent of the maximum pressure produced in the system whichever is higher.

Lubrication



To insure maximum performance, install an air set (oiler, regulator, air filter) as close as possible to the tool. Adjust the oiler so that one drop of oil will be provided for every 50 nails.

When an air set is not used, oil the tool with pneumatic tool oil by placing 2 (two) or 3 (three) drops into the air fitting. This should be done before and after use. For proper lubrication, the tool must be fired a couple of times after pneumatic tool oil is introduced.



► 1. Pneumatic tool oil

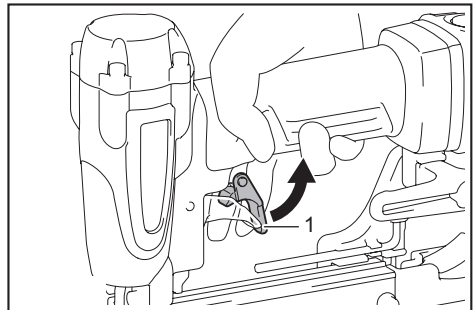
FUNCTIONAL DESCRIPTION

CAUTION: Before adjusting or checking function on the tool, always return the trigger and lock lever and disconnect the hose.

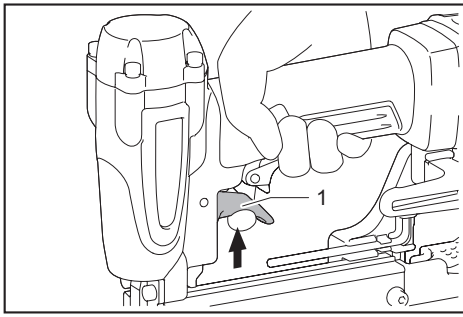
Trigger and lock lever

WARNING: Make sure that your fingers are not placed on the trigger and lock lever when connecting the hose. Otherwise the tool may misfire and result in personal injury.

The tool is equipped with a lock lever to prevent the trigger from pulling accidentally. To drive the pin nails, first pull the lock lever, and then pull the trigger.



► 1. Lock lever

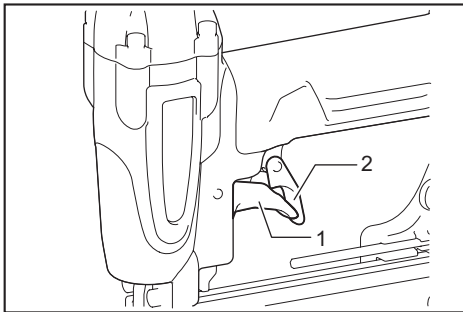


► 1. Trigger

Checking safety system

⚠ WARNING: Make sure all safety systems are in working order before operation. Failure to do so may cause personal injuries.

⚠ CAUTION: Make sure that the tool is not loaded with pin nails.



► 1. Trigger 2. Lock lever

Before pin nailing operation, check the safety system as follows:

1. Pull the sliding door of the magazine toward yourself to release the anti dry fire mechanism.
2. Unload the tool.
3. Make sure that you **cannot** pull the trigger when the lock lever is not pulled.
4. Make sure that you can pull the trigger **after** you pull the lock lever.

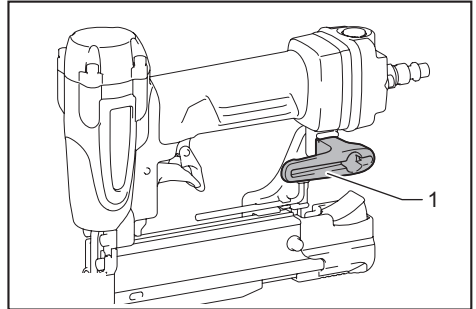
If the tool fails the check above, stop using the tool and ask authorized service center for repairing.

Hook

⚠ CAUTION: Make sure that your fingers are not placed on the trigger or lock lever and disconnect the hose from the tool before using the hook.

⚠ CAUTION: Never hook the tool at high location or on potentially unstable surface.

⚠ CAUTION: Do not hang the hook from the waist belt. If the nailer accidentally drops, it may result in misfiring and personal injuries.

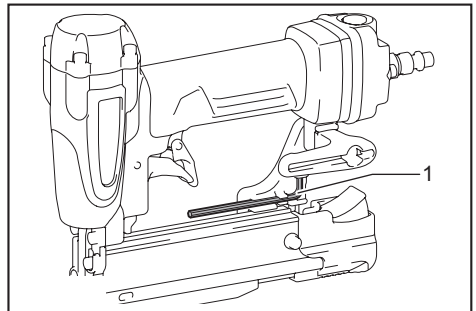


► 1. Hook

The hook is convenient for hanging the tool temporarily.

Hex wrench storage

When not in use, store the hex wrench as shown to keep it from being lost.



► 1. Hex wrench

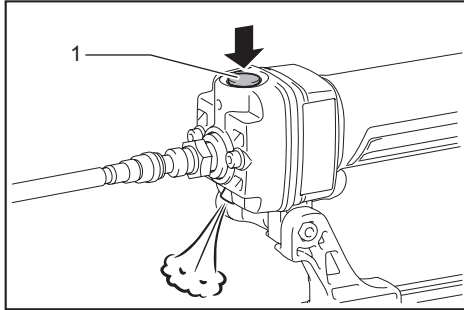
Air duster

⚠ CAUTION: Do not aim the ejection port of the air duster to someone. Also, keep your hands and foot away from the ejection port. If the air duster button is accidentally pushed, it may cause a personal injury.

⚠ CAUTION: Always check your surroundings before using the air duster. Blown dust or objects may hit someone.

⚠ CAUTION: Do not connect or disconnect the air hose while pushing the air duster button.

The air supplied to the tool can also be used as an air duster. You can clean the work area by pressing the button on the grip end.



▶ 1. Button

NOTICE: After using the air duster, the driving force of the tool will temporarily decline. Wait until the air pressure recovers in this case.

NOTICE: Perform a test blow if you use the air duster immediately after the oil was applied. The oil may be sprayed with the air.

ASSEMBLY

CAUTION: Before carrying out any work on the tool, always return the trigger and lock lever and disconnect the hose.

Loading pin nailer

CAUTION: Hold the sliding door when pressing the unlock button. In case pin nails are loaded in the magazine, the sliding door moves suddenly when pressing the unlock button.

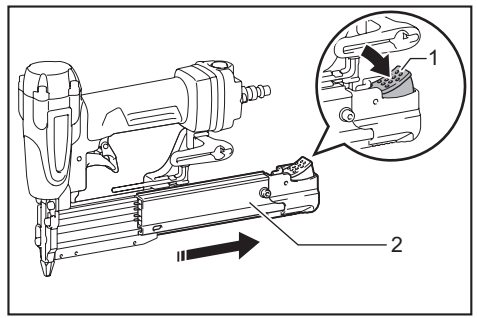
CAUTION: Always move the sliding door slowly and carefully. Accidentally dropping pin nails especially when working in high places may cause personal injuries.

CAUTION: Load the same type, size and uniform length of nails when loading nails in the magazine.

NOTICE: Load pin nails in the correct direction. Loading in wrong direction may cause premature wear and tear of the driver and damage of the other parts.

NOTICE: Do not use deformed connected pin nails. Use pin nails specified in this manual. Using pin nails other than those specified may cause pin nail jamming and breakage of the pin nailer.

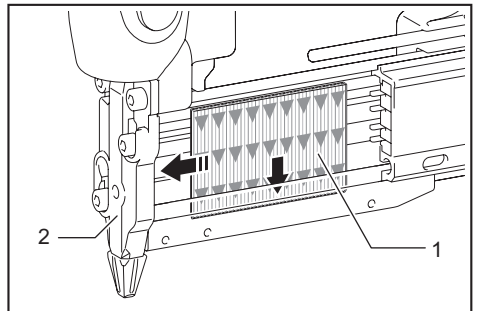
1. With holding the sliding door, press the unlock button and move the sliding door to open.



▶ 1. Unlock button 2. Sliding door

2. Place pin nails against the magazine and insert into the slit all the way. Be careful to place pin nails in the right direction.

3. Keeping pin nails in this position, slide these nails all the way into the driver guide.



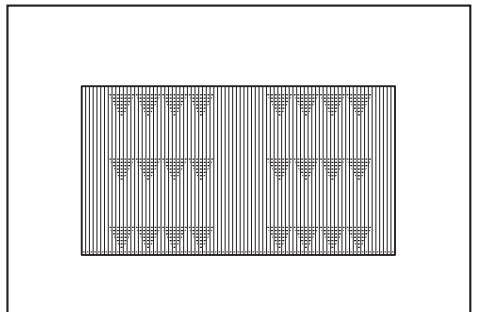
▶ 1. Pin nails 2. Driver guide

4. Return the magazine to the original position until unlock button pops up.

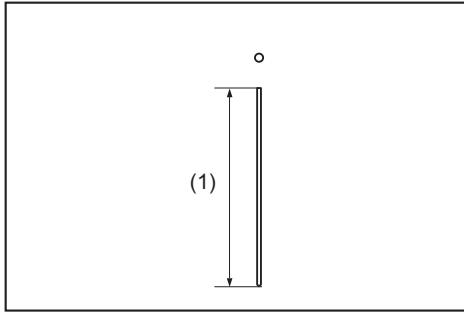
Dimensions of nails

Only the following fasteners can be used with the tool.

23 Gauge pin nails

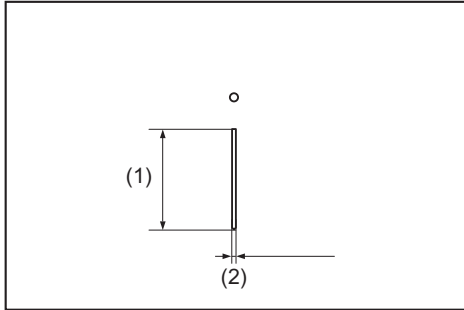


Maximum



► (1) 35 mm

Minimum



► (1) 15 mm (2) 0.6 mm

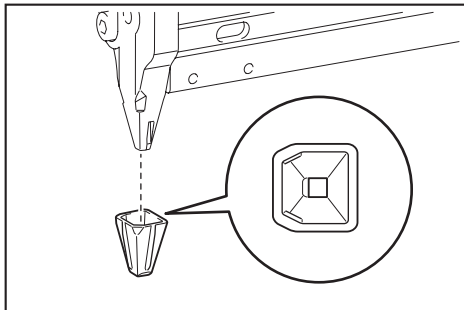
Unloading pin nailer

To remove pin nails, follow the procedures of “Loading pin nailer” in reverse.

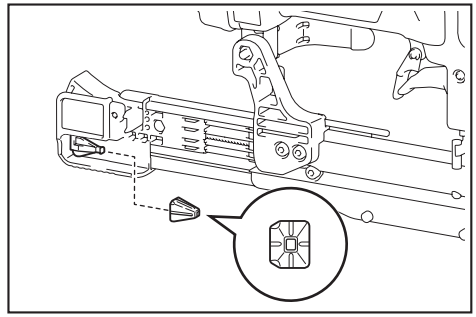
Nose adapter

When driving pin nails on delicate surfaces, use the nose adapter.

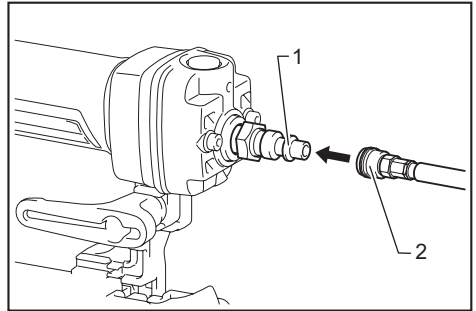
To install the nose adapter, place it over the driver guide cover so that the protrusions inside the nose adapter fit in the driver guide cover.



A spare nose adapter is stored in the holder at the end of the sliding door.



Connecting air hose



► 1. Air fitting 2. Air socket

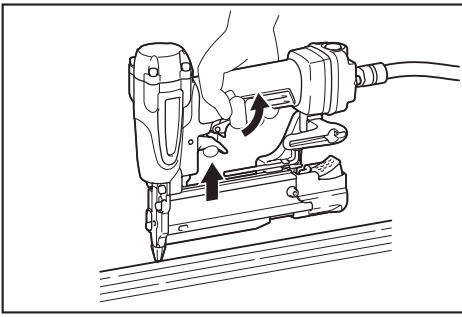
Slip the air socket of the air hose onto the air fitting on the nailer. Be sure that the air socket locks firmly into position when installed onto the air fitting. A hose coupling must be installed on or near the tool in such a way that the pressure reservoir will discharge at the time the air supply coupling is disconnected.

OPERATION

⚠ CAUTION: Make sure all safety systems are in working order before operation.

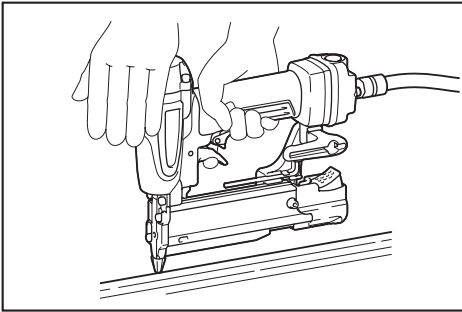
Driving pin nails

⚠ WARNING: Make sure to contact the nose against the material before pulling the trigger. Misfiring may result in personal injury.



1. Place the nose on the material flatly, and hold the tool firmly against the material.
2. Pull the lock lever, and pull the trigger fully to drive the pin nail.
3. After driving a pin nail, be sure to release the trigger and lock lever fully.

If the head of driven pin nail remains above the surface of material, hold the pin nailer head firmly when driving the pin nail.



NOTE: When the trigger is pulled after a quick trigger action, the nailer may do nothing but operate momentarily and not fire pin nail. In that case, release the trigger and the lock lever fully before driving the pin nail again.

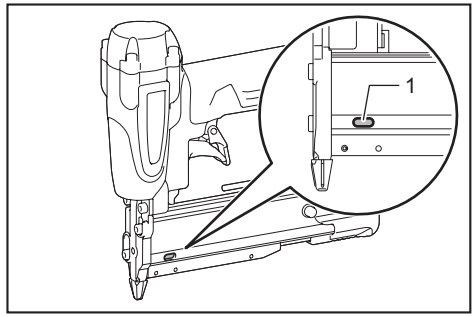
NOTICE: Do not use deformed nails or nail strip. Failure to do so causes poor nail feeding.

Anti dry fire mechanism

This tool is equipped with an anti dry fire mechanism. When there are a few nails remaining in the magazine, the trigger will be locked in the undepressed position to prevent the tool from being activated. When it is activated, load more nails to resume operation.

Empty indicator

When the remaining number of nails in the magazine becomes low, the empty indicator turns to red. Reload the nails when the empty indicator becomes red.

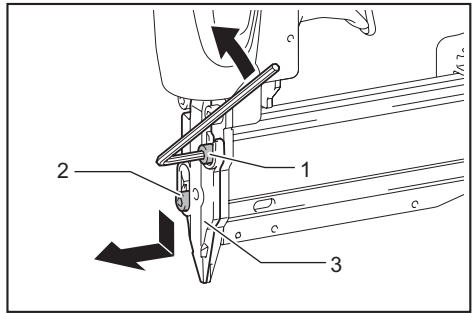


- 1. Empty indicator

Removing jammed pin nails

WARNING: Always return the trigger and lock lever and disconnect the hose before removing jammed nails.

When a pin nail is jammed, remove the pin nail as follows. Make sure to disconnect the hose before removing the jammed nails.



- 1. Bolt (A) 2. Bolt (B) 3. Driver guide cover

1. Take out pin nails that remain inside the magazine.
2. Remove the nose adapter.
3. Loosen bolt (A) and bolt (B) by turning them approximately two turns using the hex wrench provided with the pin nailer.
4. Remove driver guide cover by sliding it.
5. Remove stuck pin nails, debris, adhesives and woodchips etc. from the passage for pin nails.
6. Check the driver guide cover for stuck pin nails or other foreign matters.
7. Return the driver guide cover, secure it with these two bolts, and return the nose adapter.

MAINTENANCE

CAUTION: Always return the trigger and lock lever and disconnect the hose before attempting to perform inspection or maintenance.

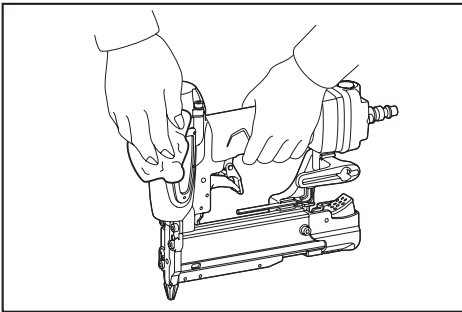
NOTICE: Never use gasoline, benzene, thinner, alcohol or the like. Discoloration, deformation or cracks may result.

Maintenance of nailer

Always check the tool for its overall condition and loose screws before operation. Tighten as required.

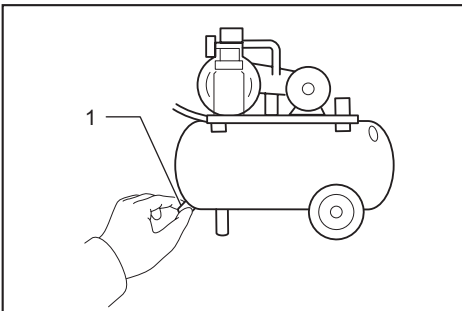
With tool disconnected, make daily inspection to assure free movement of the lock lever and trigger. Do not use tool if the trigger or lock lever sticks or binds.

When the tool is not to be used for an extended period of time, lubricate the tool using pneumatic tool oil and store the tool in a safe place. Avoid exposure to direct sunlight and/or humid or hot environment.

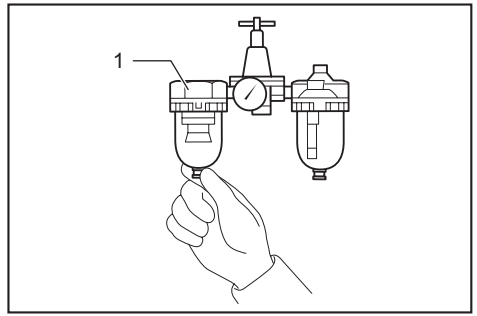


Maintenance of compressor, air set and air hose

After operation, always drain the compressor tank and the air filter. If moisture is allowed to enter the tool, it may result in poor performance and possible tool failure.

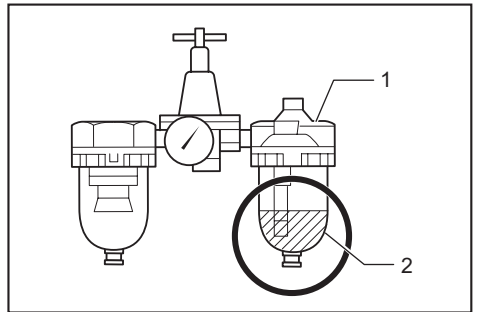


► 1. Drain cock



► 1. Air filter

Check regularly to see if there is sufficient pneumatic oil in the oiler of the air set. Failure to maintain sufficient lubrication will cause O-rings to wear quickly.



► 1. Oiler 2. Pneumatic oil

Keep the air hose away from heat (over 60°C, over 140°F), away from chemicals (thinner, strong acids or alkalis). Also, route the hose away from obstacles which it may become dangerously caught on during operation. Hoses must also be directed away from sharp edges and areas which may lead to damage or abrasion to the hose.

Nails

Handle nail strips and their box carefully. If the nail strips have been handled roughly, they may be out of shape, causing poor nail feed. Avoid storing nails in a very humid or hot place or place exposed to direct sunlight.

To maintain product SAFETY and RELIABILITY, repairs, any other maintenance or adjustment should be performed by Makita Authorized or Factory Service Centers, always using Makita replacement parts.

OPTIONAL ACCESSORIES

⚠ CAUTION: These accessories or attachments are recommended for use with your Makita tool specified in this manual. The use of any other accessories or attachments might present a risk of injury to persons. Only use accessory or attachment for its stated purpose.

If you need any assistance for more details regarding these accessories, ask your local Makita Service Center.

- Pin nails
- Air hose
- Safety goggles

NOTE: Some items in the list may be included in the tool package as standard accessories. They may differ from country to country.

Makita Corporation
3-11-8, Sumiyoshi-cho,
Anjo, Aichi 446-8502 Japan
www.makita.com

AF353-ENAU-1704
EN
20170512