

**Milwaukee**<sup>®</sup>

Nothing but **HEAVY DUTY**.<sup>®</sup>



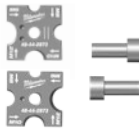
## **M18 BLTRC**

---

Original instructions

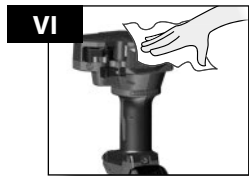
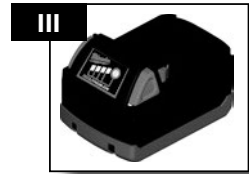
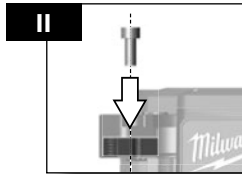
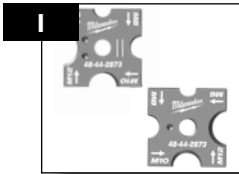


2



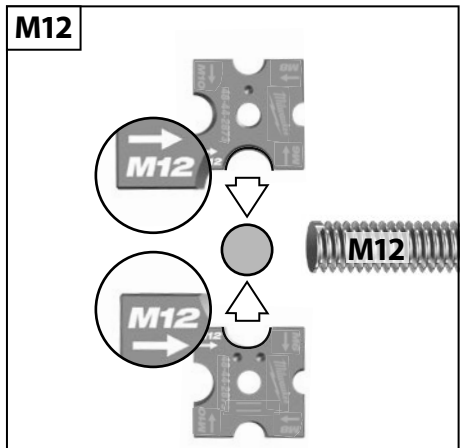
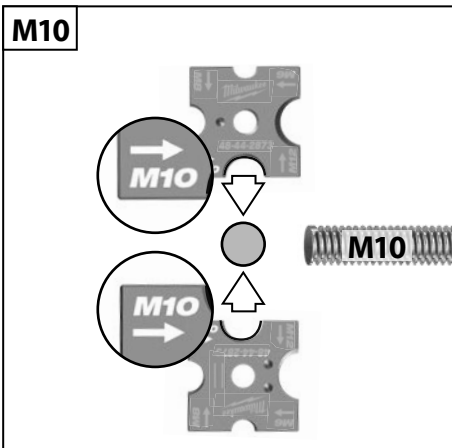
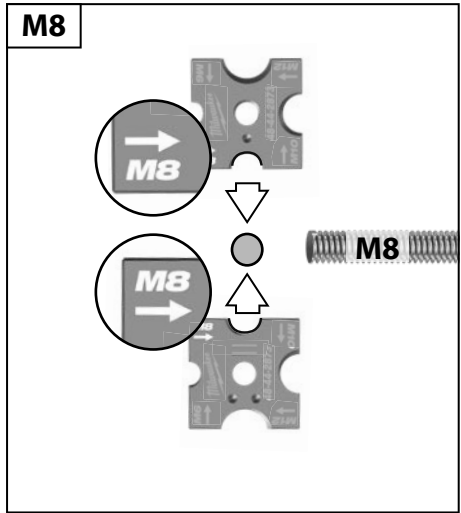
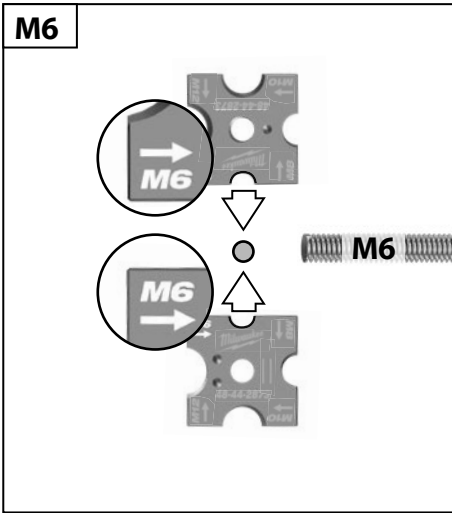
3

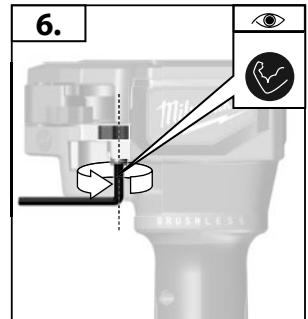
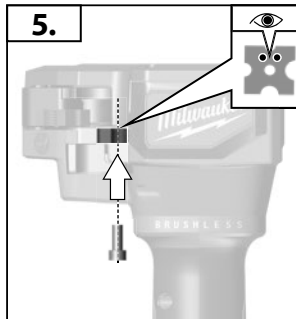
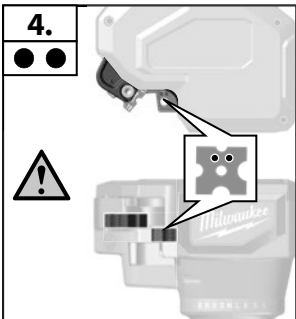
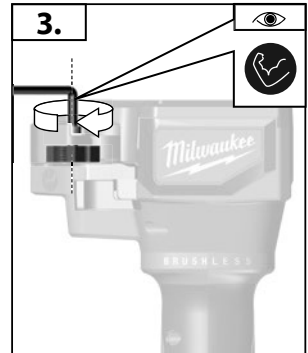
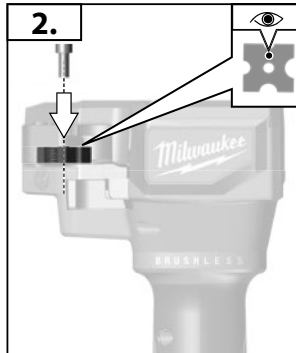
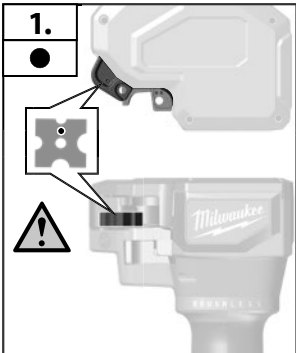
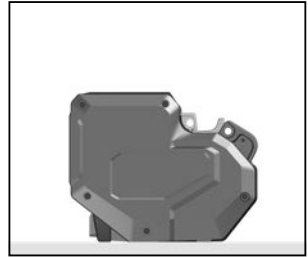
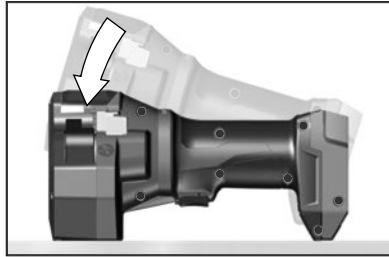
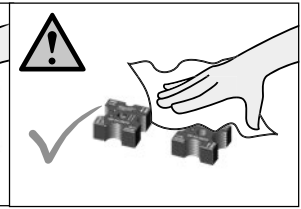
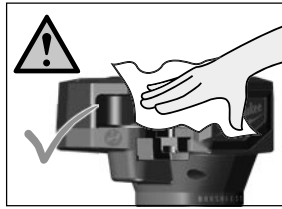
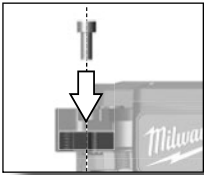




**VII** Technical Data, Safety Instructions, Specified Conditions of Use, Declaration of Conformity, Batteries, Maintenance, Symbols  
**Please read and save these instructions!**





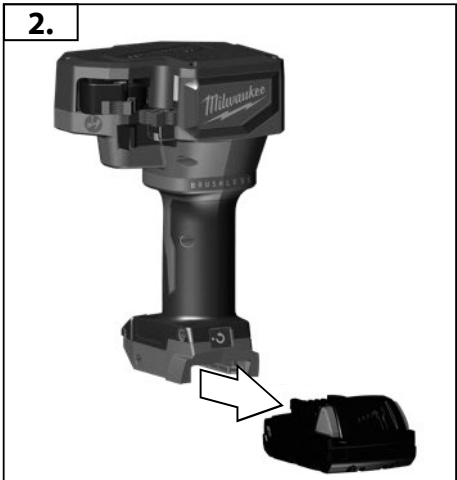
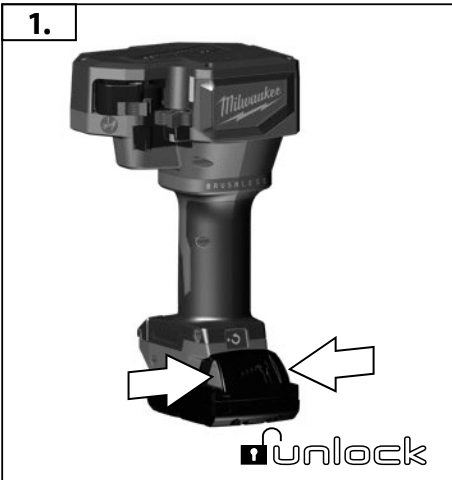
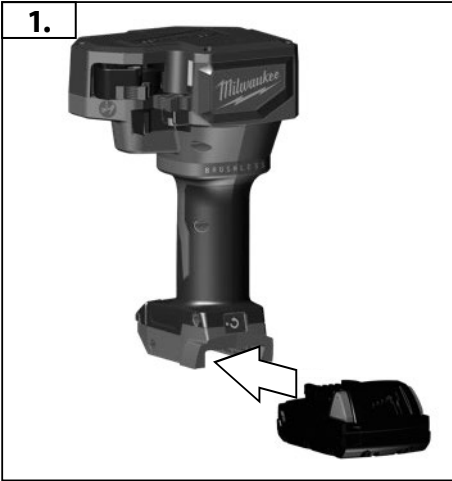


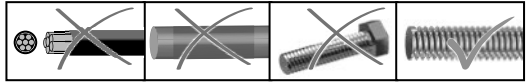


TIP

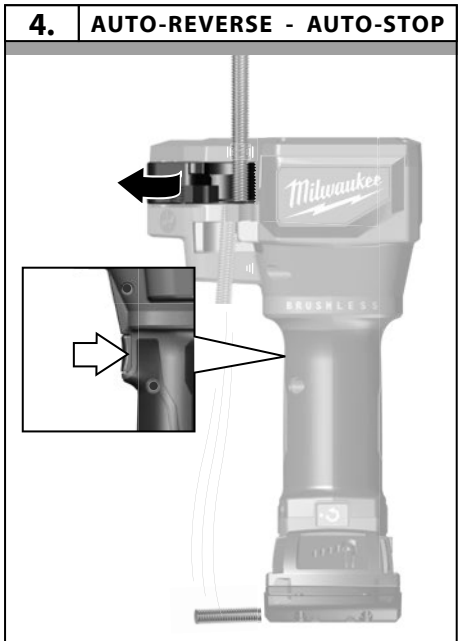
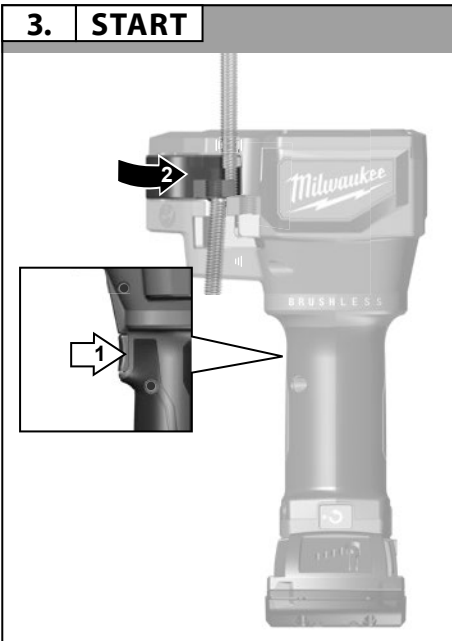
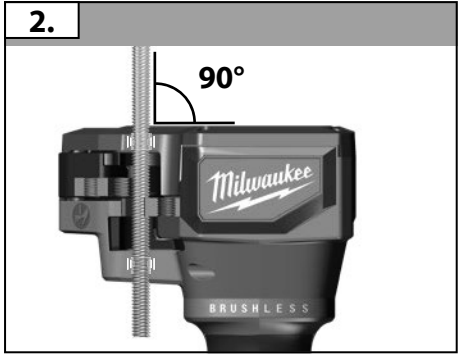
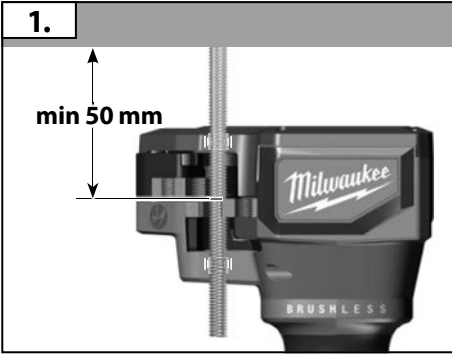


78-100 %		
55-77 %		
33-54 %		
10-32 %		
<10 %		

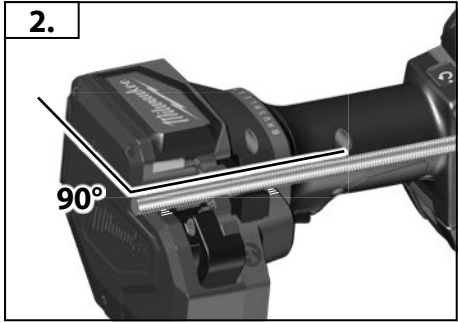
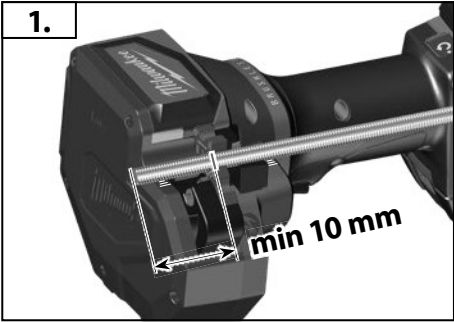
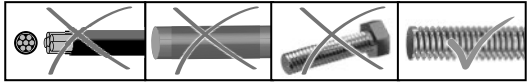




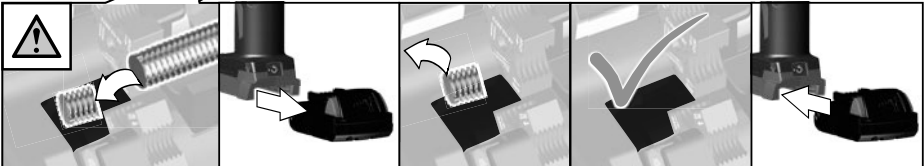
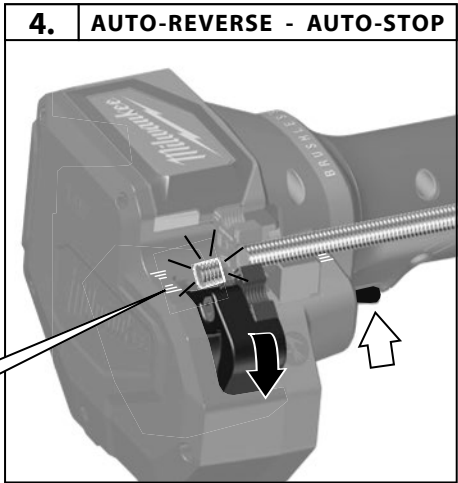
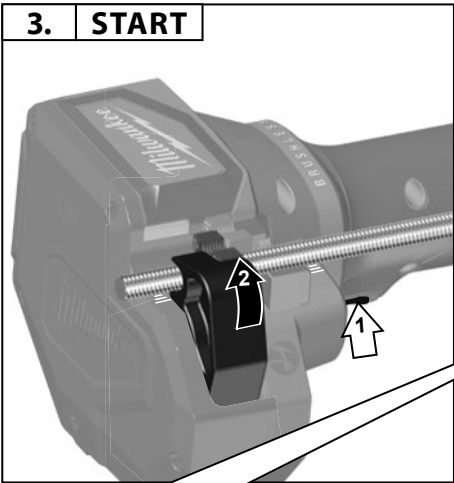
START  
STOP  
≡

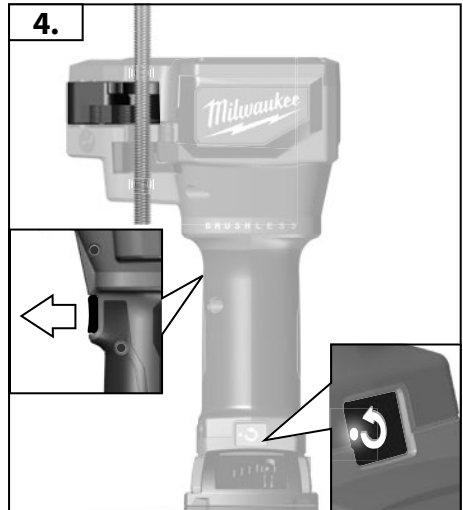
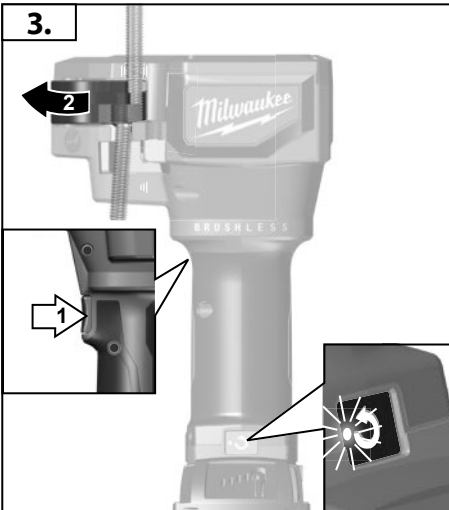
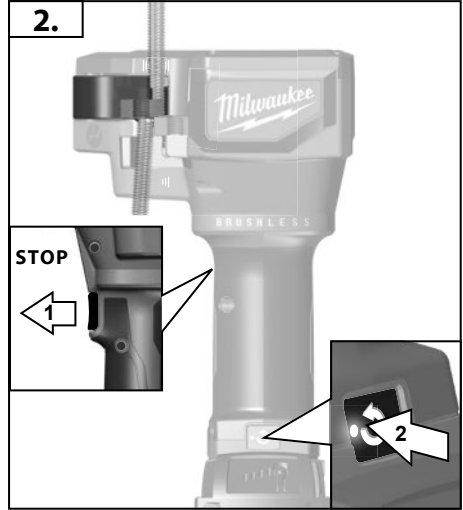
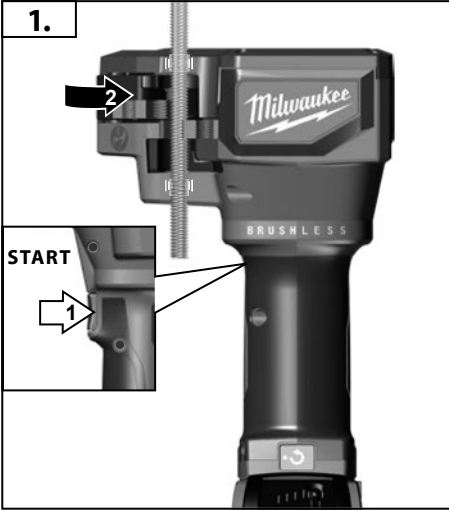
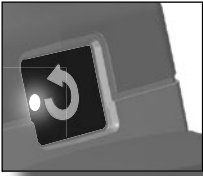


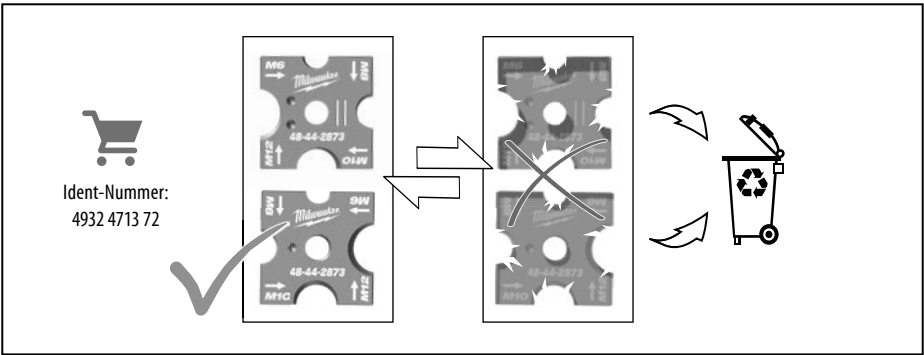




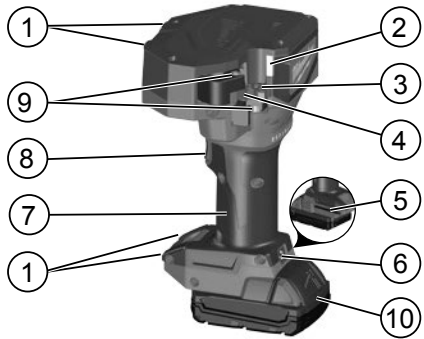
**START  
STOP**







TECHNICAL DATA Threaded Rod Cutter	M18 BLTRC
Production code	4775 24 02... ... 000001-999999
Battery voltage	18 V
Cutting range Steel	M 6 x 1 M 8 x 1,25 M 10 x 1,5 M 12 x 1,75
Cutting range Stainless steel	M 6 x 1 M 8 x 1,25 M 10 x 1,5
Weight according EPTA-Procedure 01/2014 (Li-Ion 2,0 Ah...12,0 Ah)	3,9 kg...5,0 kg
Recommended Ambient Operating Temperature	-18°C ... +50°C
Recommended battery types	M18B... M18HB...
Recommended charger	M12-18...
<b>Noise information</b>	
Measured values determined according to EN 62841. Typically, the A-weighted noise levels of the tool are:	
Sound pressure level (Uncertainty K=3dB(A))	75,27 dB (A)
Sound power level (Uncertainty K=3dB(A))	86,27 dB (A)
<b>Wear ear protectors!</b>	
<b>Vibration information</b>	
Vibration total values (triaxial vector sum) determined according to EN 62841	
Vibration emission value $a_h$	0,48 m/s <sup>2</sup>
Uncertainty K=	1,5 m/s <sup>2</sup>



#### Device description

- |                      |                                        |
|----------------------|----------------------------------------|
| ① Benchttop supports | ⑥ Release trigger                      |
| ② LED                | ⑦ Handle<br>Insulated gripping surface |
| ③ Fixed die          | ⑧ Trigger                              |
| ④ Movable die        | ⑨ Hex Socket Bolts                     |
| ⑤ Hex wrench (5 mm)  | ⑩ Battery                              |

**⚠ WARNING** Read all safety warnings, instructions, illustrations and specifications provided with this power tool. Failure to follow all instructions listed below may result in electric shock, fire and/or serious injury.

**Save all warnings and instructions for future reference.**

#### ⚠ SAFETY WARNINGS

The operator of this device must be instructed in the specific dangers associated with using this device and in the essential safety measures before working with it for the first time and at least once a year thereafter.

The operating company must:

- make the operating manual available to the operator and
- ensure that the operator has read and understood it.

Maintain labels and nameplates. These carry important information. If unreadable or missing, they have to be replaced.

Always use common sense and be cautious when using tools. It is not possible to anticipate every situation that could result in a dangerous outcome. Do not use this tool if you do not understand these operating instructions or you feel the work is beyond your capability; contact Milwaukee Tool or a trained professional for additional information or training.

Do not work on electrically live parts. Device is NOT insulated.

Keep hands and loose items of clothing away from jaws / dies and other moving parts. There is a risk of serious injury, including severing of limbs.

Use protective equipment. Always wear goggles when using the machine. The use of protective clothing is recommended, such as dust mask, protective gloves, sturdy non-slip footwear, helmet and ear defenders.

To reduce the risk of injury, wear safety goggles or glasses with side shields when operating or servicing the tool. Material may crack or shatter.



#### WARNING!

The vibration emission level given in this information sheet has been measured in accordance with a standardised test given in EN 62841 and may be used to compare one tool with another. It may be used for a preliminary assessment of exposure.

The declared vibration emission level represents the main applications of the tool. However if the tool is used for different applications, with different accessories or poorly maintained, the vibration emission may differ. This may significantly increase the exposure level over the total working period.

An estimation of the level of exposure to vibration should also take into account the times when the tool is switched off or when it is running but not actually doing the job. This may significantly reduce the exposure level over the total working period.

Identify additional safety measures to protect the operator from the effects of vibration such as: maintain the tool and the accessories, keep the hands warm, organisation of work patterns.

To avoid injury and damage, prevent accidental starting of the device.

Never hold the tool in the area of jaws and cutting dies.

Before using, always check the dies and jaws for cracks and other signs of wear.

Only use the threaded rod cutter, battery pack and charger if they are in perfect technical condition.

Have damage repaired immediately by an authorised workshop.

Remove the battery pack before starting any work on the appliance.

Do not use tool without dies installed. Fingers could be crushed with or without dies in place.

Remove any setting tools and wrenches before making the cut.

To avoid injury and damage, never immerse the tool, removable battery or charger in liquid or allow liquid to penetrate them.

Avoid cutting short pieces of material that put hands near dies.

Workpiece may not be exposed to any mechanical forces.

To reduce the risk of explosions, electric shock and damage to property and equipment, do not use on life objects.

Tool is NOT insulated. Contact with a live circuit could result in severe injury or death.

Cutting dies are sharp. Keep hands away from cutting edges and moving parts. Avoid cutting short pieces of material that put hands near dies. Laceration and amputation can occur.

**WARNING** Some dust created by power sanding, sawing, grinding, drilling, and other construction activities contains chemicals known to cause cancer, birth defects or other reproductive harm. Some examples of these chemicals are:

- lead from lead-based paint
- crystalline silica from bricks and cement and other masonry products, and
- arsenic and chromium from chemically-treated lumber.

Your risk from these exposures varies, depending on how often you do this type of work. To reduce your exposure to these chemicals: work in a well ventilated area, and work with approved safety equipment, such as those dust masks that are specially designed to filter out microscopic particles.

**WARNING!** To reduce the risk of fire, personal injury, and product damage due to a short circuit, never immerse your tool, battery pack or charger in fluid or allow a fluid to flow inside them. Corrosive or conductive fluids, such as seawater, certain industrial chemicals, and bleach or bleach containing products, etc., Can cause a short circuit.

Use only System M18 chargers for charging System M18 battery packs. Do not use battery packs from other systems.

Never break open battery packs and chargers and store only in dry rooms. Keep dry at all times.

## SPECIFIED CONDITIONS OF USE

This heavy duty threaded rod cutter is designed for professional applications.

**WARNING:** To reduce the risk of injury, only cut materials for the cutting dies (see „Technical Data“). Do not attempt to cut other materials.

This tool will cut off threaded rod cleanly and burr-free, allowing nuts to be hand-threaded without additional finishing. Workpiece quality, dirt, and scale could affect the ability to hand-thread nuts.

**NOTE:** Use this tool for cutting the sizes and materials listed below. Other sizes or materials will damage the tool and workpiece.

**DO NOT** operate or use under wet conditions or in the presence of flammable liquids or gases.

**DO NOT** use for cutting tempered bolts, threads of different sizes or reinforcing rod.

**NOTE:** The rod cutter has been designed so that the nut threads onto the cut rod by hand. Thread quality, surface finish (i.e., galvanized or plated), dirt and scale could affect the ability of the nut to thread freely onto the cut rod.

**WARNING:** If the dies need to be opened without completing the cycle, never release the main handle. Use your other hand to press the reserve button until the indicator lamp lights up. Put the hand back on the workpiece and hold it securely. Then press the main trigger until the tool stops automatically to open the dies.

## USE

Always wear goggles when using the device.

Cutting dies are sharp. Keep hands away from cutting edges and moving parts. Avoid cutting short pieces of material that put hands near dies. Laceration and amputation can occur.

During overhead use, ensure BOTH ends of the rod are secure to avoid pieces falling when the cut is complete.

### Cutting

- Before use, ensure the cutting dies are aligned for the proper rod size.
- Ensure the hex bolts are tightened securely.
- Cut clean material to extend the cutting die blade life.
- Wipe dirt and debris from material and cutting dies before beginning the cut.
- Only use the cutting dies on the material for they were designed for. Other materials could damage the cutting dies and tool.
- Insert the battery pack.
- To ensure proper die life, threaded rod must be fully engaged properly with dies during the cut. For accurate work, always secure the workpiece before cutting.
- Do not attempt angled cuts. It will damage the cutting dies and workpiece. Hold the material firmly and securely against fixed cutting die when starting the cut.
- To run in reverse, press the reverse button; the button light will turn on. Press and hold trigger to reverse.  
**NOTE:** The tool will only enter reverse mode if the jaws are NOT fully open.



## Reverse Button

If the cutting jaws need to be opened without completing the cutting cycle:

1. Release the trigger.
2. Press the reverse button . The button light will turn ON.
3. Pull the trigger and hold the tool firmly until the cutting jaws open fully. NOTE: The tool will only enter reverse mode if the jaws are NOT fully open.

## Jammed Cutting Dies

Dirt and debris can cause the cutting dies to become jammed together after a cut. If the tool shuts off and the cutting jaws are still closed:

1. Press the reverse button and pull the trigger until the cutting jaws open fully. If this does not work,
2. Remove the battery pack
3. Remove, clean, and reinstall the cutting dies according to „Removing/Replacing the Cutting Dies“.



## MAINTENANCE

Remove the battery pack before starting any work on the appliance.

Never open the threaded rod cutter, removable battery or charger. Check the threaded rod cutter for any problems such as noise or jamming of moving parts that could be affecting the tool.

Check the cutting tools for cracks and other signs of wear.

Clean dust and debris from openings. Keep handle clean, dry and free of oil or grease. Use only mild soap and a damp cloth to clean, since certain cleaning agents and solvents are harmful to plastics and other insulated parts. Some of these include gasoline, turpentine, lacquer thinner, paint thinner, chlorinated cleaning solvents, ammonia and household detergents containing ammonia. Never use flammable or combustible solvents around tools.

Check that the dies are sharp and replace worn dies.

Replace the dies when they become chipped or damaged. Always replace dies as a set. Use only MILWAUKEE dies.

To avoid injury and damage, never immerse the tool, removable battery or charger in liquid or allow liquid to penetrate them.

The ventilation slots of the machine must be kept clear at all times.

Further service and repair work may only be carried out by authorized specialist workshops.

Use only Milwaukee accessories and Milwaukee spare parts. Should components need to be replaced which have not been described, please contact one of our Milwaukee service agents (see our list of guarantee/service addresses).

If needed, an exploded view of the tool can be ordered. Please state the Article No. as well as the machine type printed on the label and order the drawing at your local service agents or directly at: Techtronic Industries GmbH, Max-Eyth-Straße 10, 71364 Winnenden, Germany.

## BATTERIES

Temperatures in excess of 50°C (122°F) reduce the performance of the battery pack. Avoid extended exposure to heat or sunshine (risk of overheating).

The contacts of chargers and battery packs must be kept clean.

For an optimum life-time, the battery packs have to be fully charged, after use. Battery packs which have not been used for some time should be recharged before use.

To obtain the longest possible battery life remove the battery pack from the charger once it is fully charged.

For battery pack storage longer than 30 days, Store the battery pack where the temperature is below 27°C and away from moisture. Store the battery packs in a 30% - 50% charged condition. Every six months of storage, charge the pack as normal.

Do not dispose of used battery packs in the household refuse or by burning them. Milwaukee Distributors offer to retrieve old batteries to protect our environment.

Do not store the battery pack together with metal objects (short circuit risk).

Battery acid may leak from damaged batteries under extreme load or extreme temperatures. In case of contact with battery acid wash it off immediately with soap and water. In case of eye contact rinse thoroughly for at least 10 minutes and immediately seek medical attention.

No metal parts must be allowed to enter the battery section of the charger (short circuit risk).

## TRANSPORTING LITHIUM BATTERIES

Lithium-ion batteries are subject to the Dangerous Goods Legislation requirements.

Transportation of those batteries has to be done in accordance with local, national and international provisions and regulations.

The user can transport the batteries by road without further requirements.

Commercial transport of Lithium-Ion batteries by third parties is subject to Dangerous Goods regulations. Transport preparation and transport are exclusively to be carried out by appropriately trained persons and the process has to be accompanied by corresponding experts.

When transporting batteries:

Ensure that battery contact terminals are protected and insulated to prevent short circuit. Ensure that battery pack is secured against movement within packaging. Do not transport batteries that are cracked or leak. Check with forwarding company for further advice

## EC-DECLARATION OF CONFORMITY

We declare under our sole responsibility that the product described under "Technical Data" fulfills all the relevant provisions of the directives

2011/65/EU (RoHS)

2006/42/EC

2014/30/EU

and the following harmonized standards have been used.

EN 62841-1:2015

EN 55014-1:2017+A11:2020

EN 55014-2:2015

EN IEC 63000:2018



Winnenden, 2020-11-09

Alexander Krug / Managing Director  
Authorized to compile the technical file  
Techtronic Industries GmbH  
Max-Eyth-Straße 10, 71364 Winnenden, Germany

## GB-DECLARATION OF CONFORMITY

We declare as the manufacturer under our sole responsibility that the product described under „Technical Data“ fulfills all the relevant provisions of the following Regulations

S.I. 2012/3032 (as amended), S.I. 2008/1597 (as amended),

S.I. 2016/1091 (as amended) and that the following designated

standards have been used:

BS EN 62841-1:2015

BS EN 55014-1:2017+A11:2020

BS EN 55014-2:2015

BS EN IEC 63000:2018

Winnenden, 2020-11-09

Alexander Krug / Managing Director  
Authorized to compile the technical file  
Techtronic Industries GmbH  
Max-Eyth-Straße 10, 71364 Winnenden, Germany

## SYMBOLS



Please read the instructions carefully before starting the machine.



Always wear goggles when using the machine.



Pull force



CAUTION! WARNING! DANGER!



Remove the battery pack before starting any work on the appliance.



Keep hands away from cutting tools and other moving parts. Fingers may get caught in the cutting mechanism and be amputated or injured.



Accessory - Not included in standard equipment, available as an accessory.



Do not dispose electric tools, batteries/rechargeable batteries together with household waste material. Electric tools and batteries that have reached the end of their life must be collected separately and returned to an environmentally compatible recycling facility. Check with your local authority or retailer for recycling advice and collection point.



Voltage



Direct Current



European Conformity Mark



British Conformity Mark



Ukraine Conformity Mark



Eurasian Conformity Mark



Copyright 2020  
Techtronic Industries GmbH  
Max-Eyth-Straße 10  
71364 Winnenden  
Germany  
+49 (0) 7195-12-0  
[www.milwaukeeetool.eu](http://www.milwaukeeetool.eu)

Techtronic Industries (UK) Ltd  
Fieldhouse Lane  
Marlow Bucks SL7 1HZ  
UK



**EAC UK  
CA**

(11.20)

**4100 4258 78**