

Milwaukee[®]

Nothing but **HEAVY DUTY**.[®]

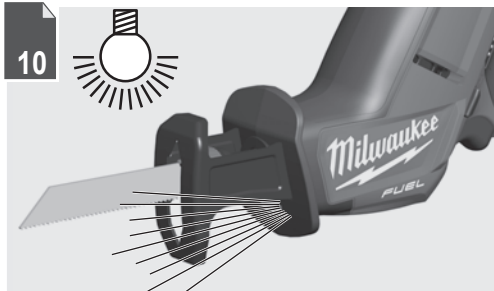
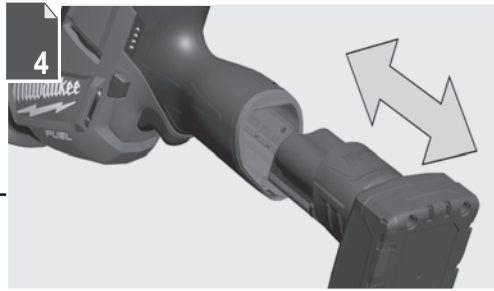
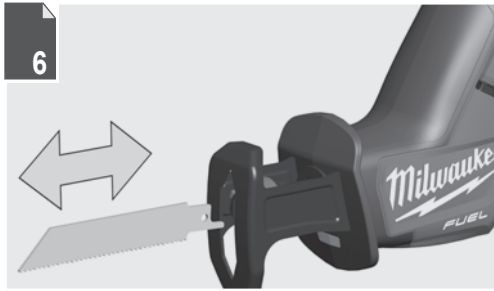


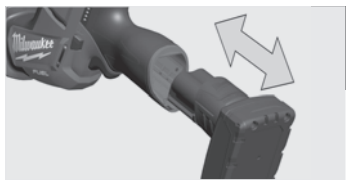
M12 CHZ

Original instructions

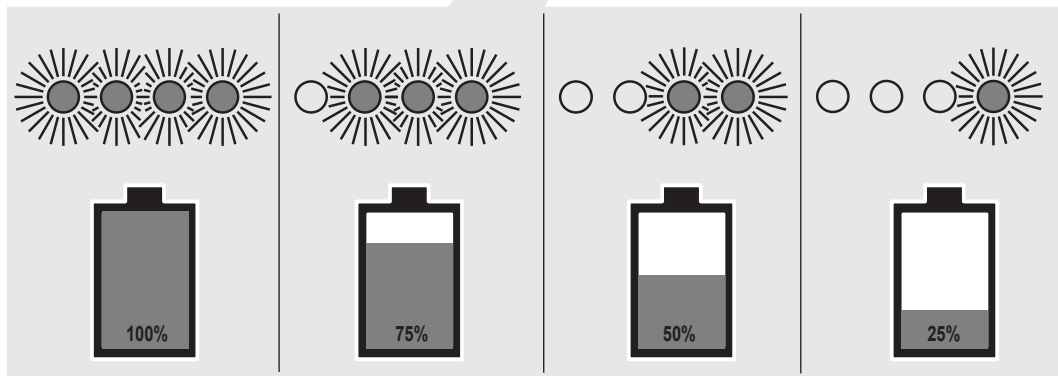
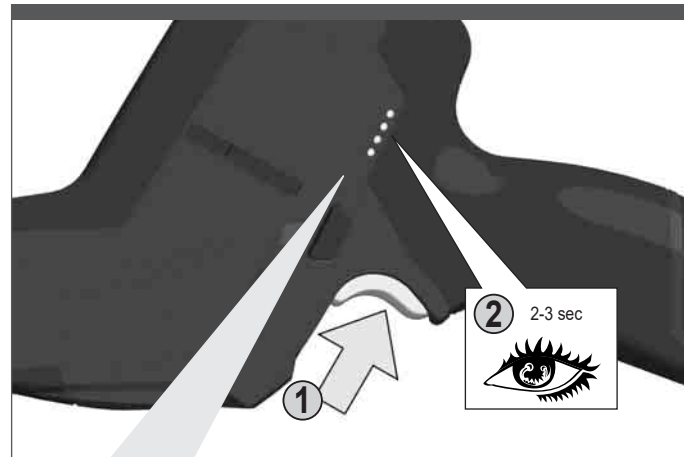
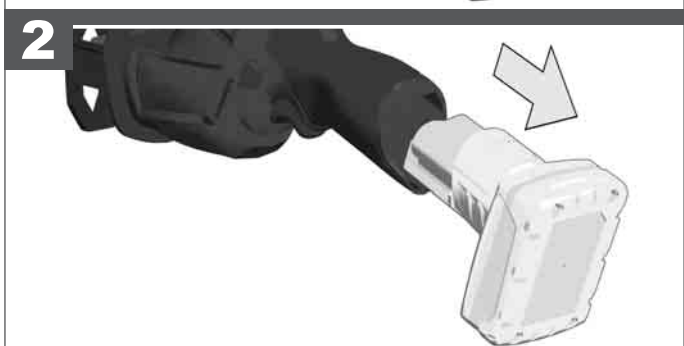
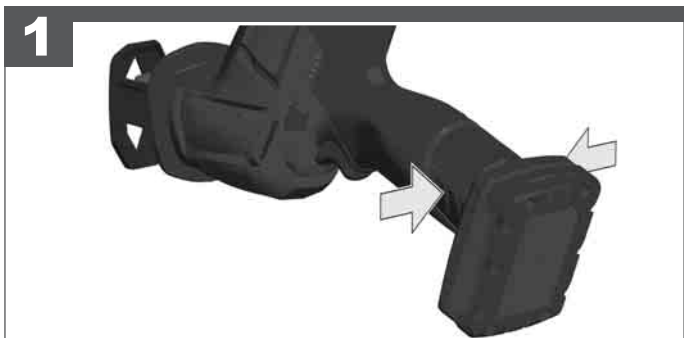
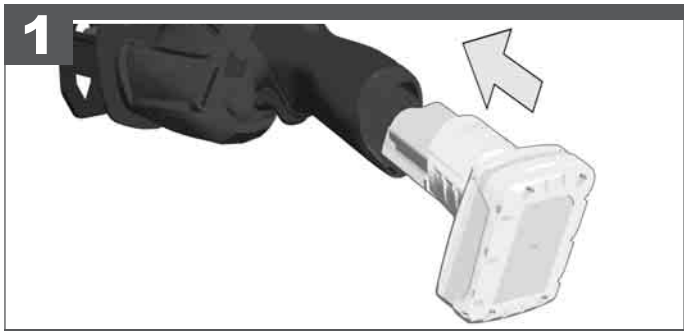


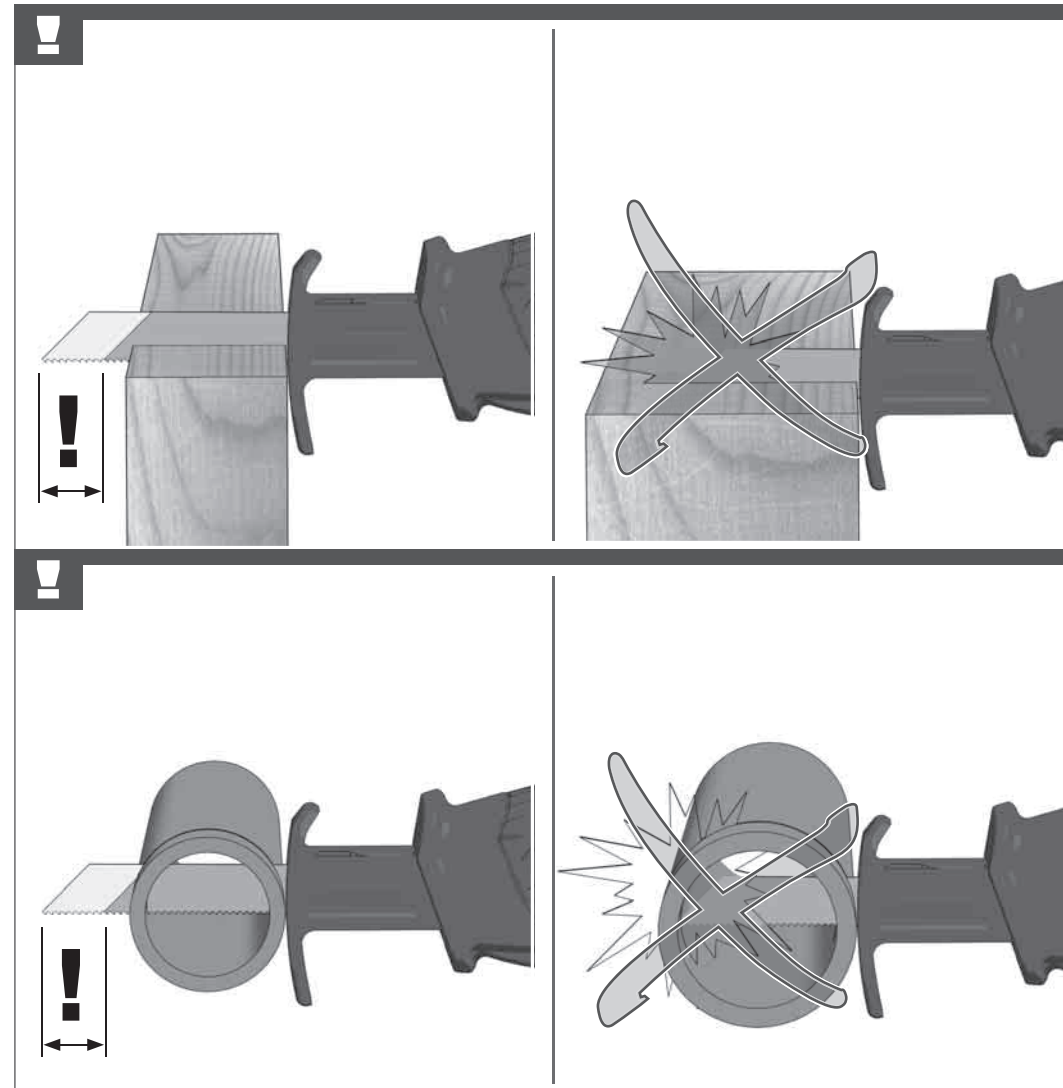
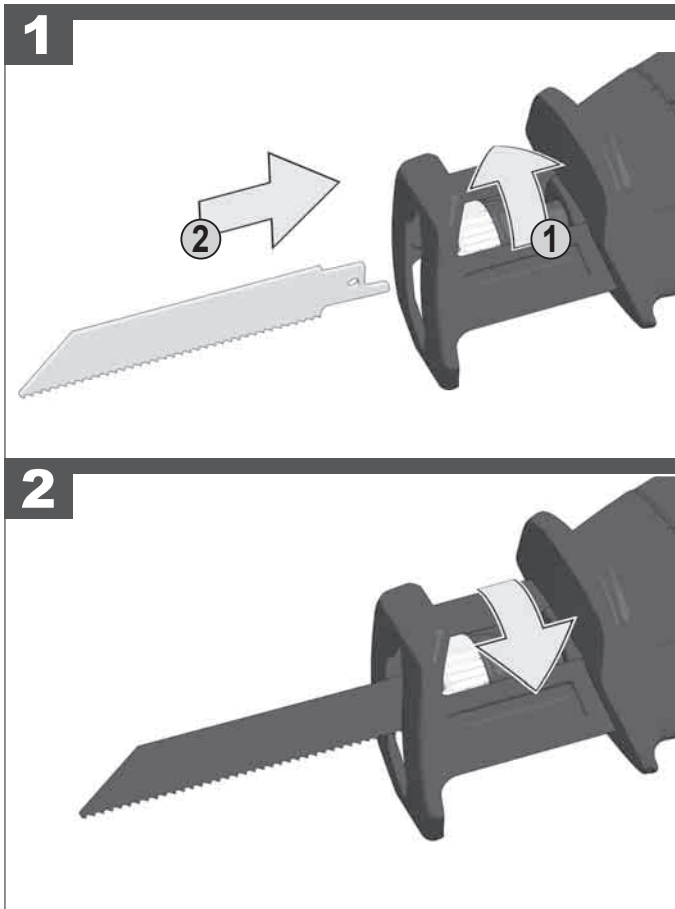
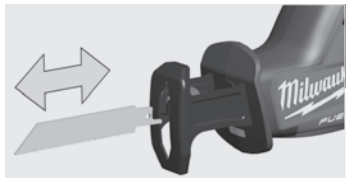
14 Text section with Technical Data, important Safety and Working Hints and description of Symbols

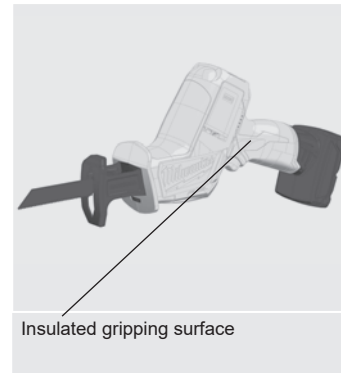
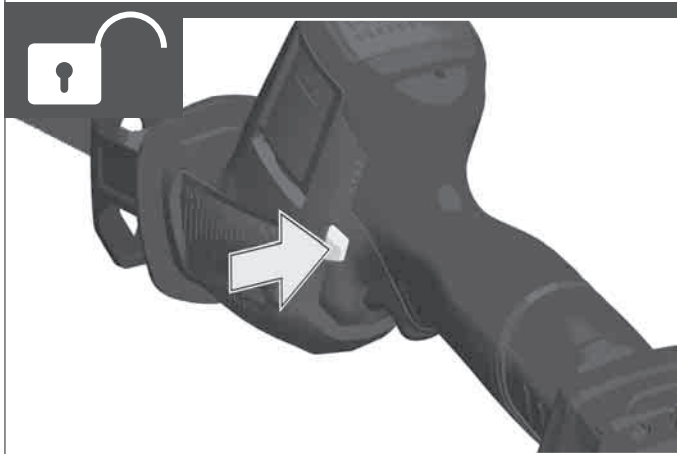
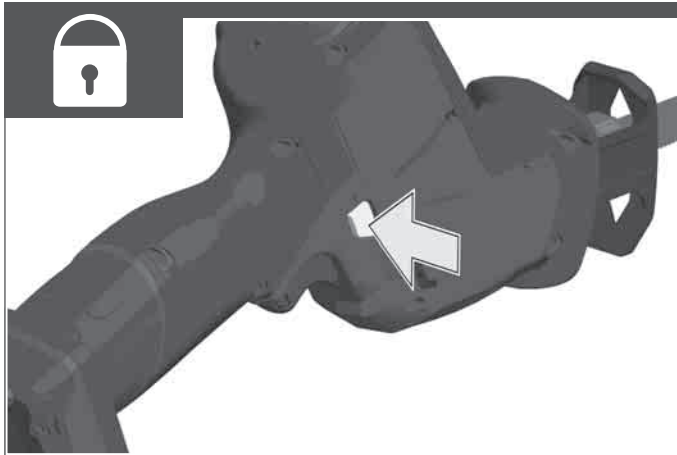




Remove the battery pack before starting any work on the machine.



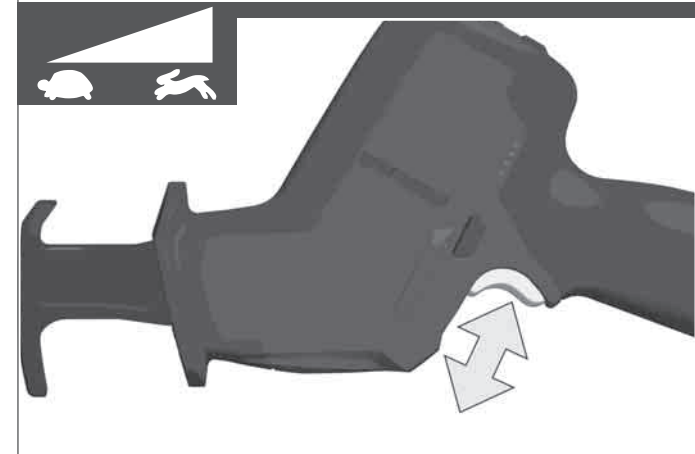
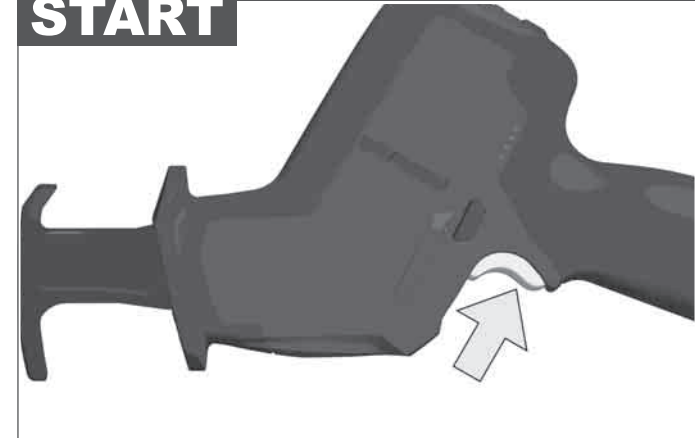




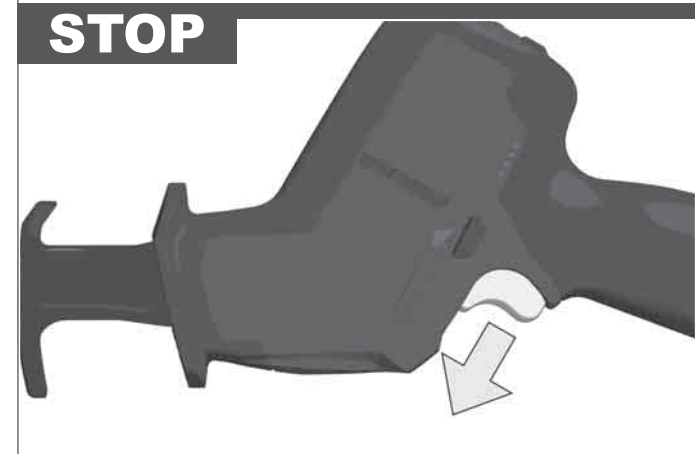
Insulated gripping surface

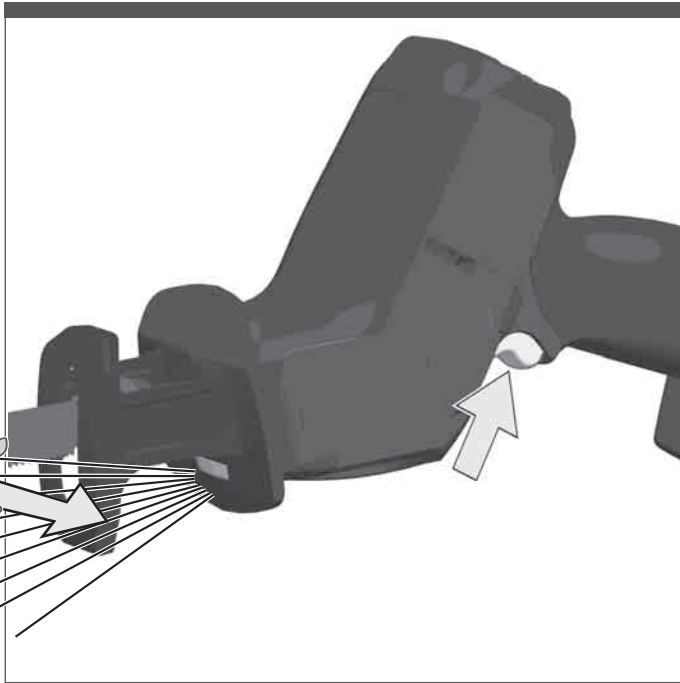


START

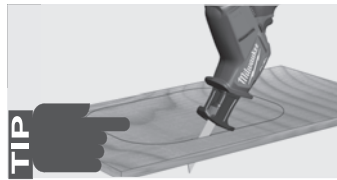


STOP

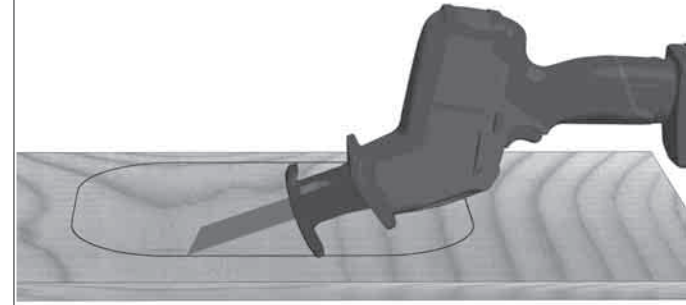




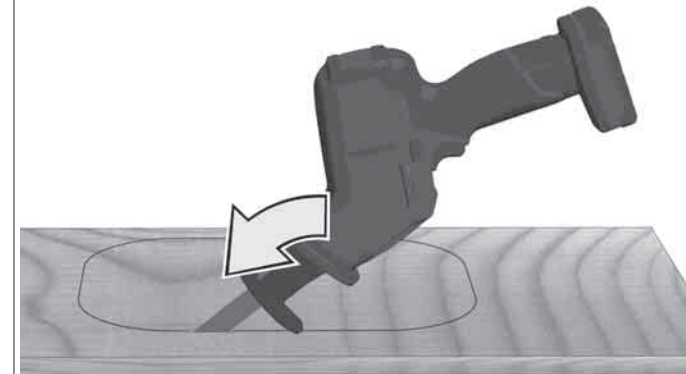
TIP



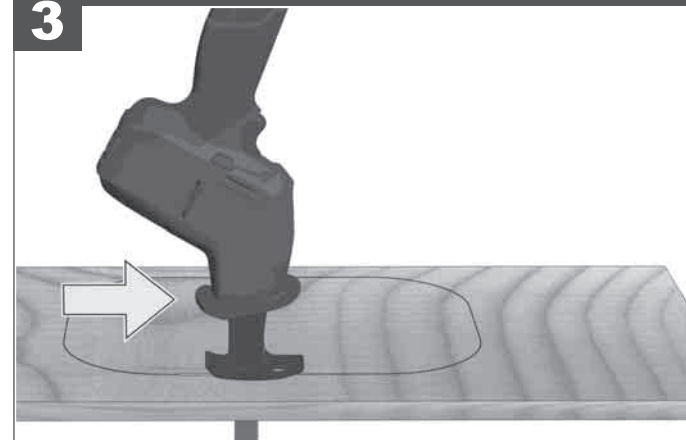
1

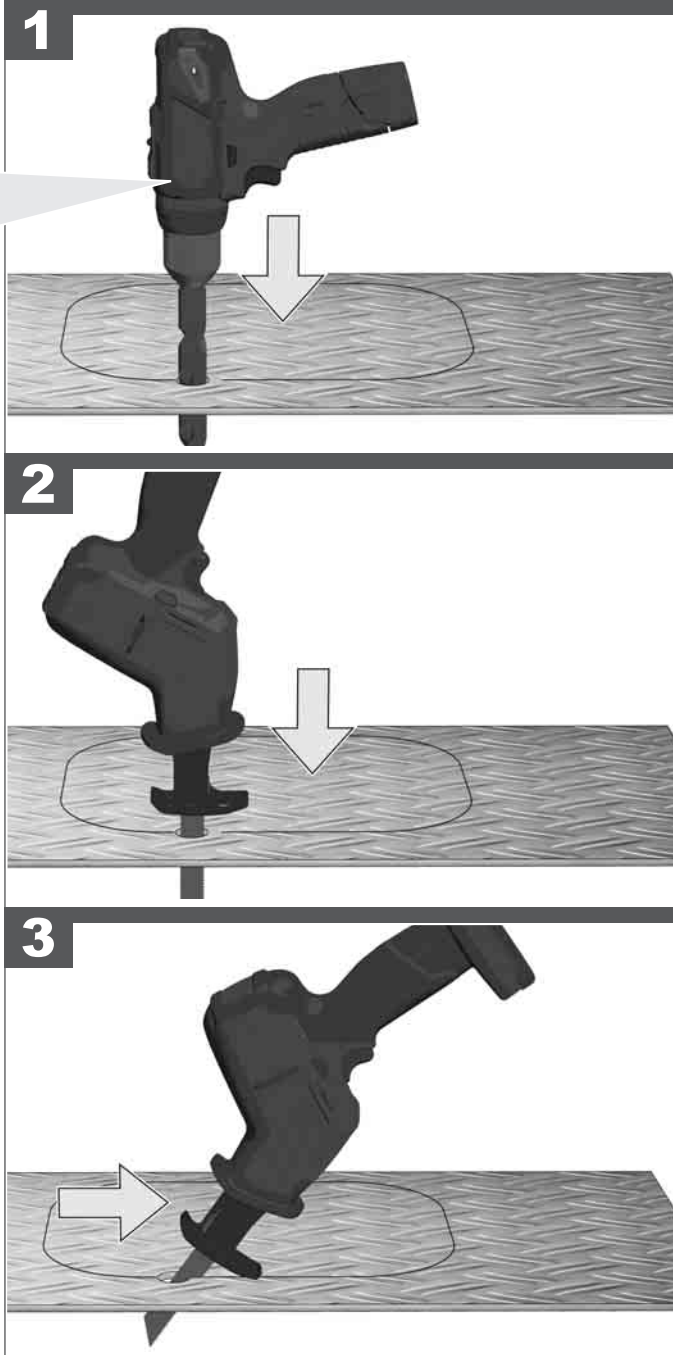
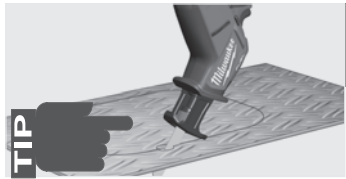



2



3





 Accessory - Not included in standard equipment.

Copyright 2021
Techtronic Industries GmbH
Max-Eyth-Str. 10
71364 Winnenden
Germany
+49 (0) 7195-12-0
www.milwaukeeetool.eu

Techtronic Industries (UK) Ltd
Fieldhouse Lane
Marlow Bucks SL7 1HZ
UK

 **EAC UK
CA**
(08.21)
4100 4144 95