

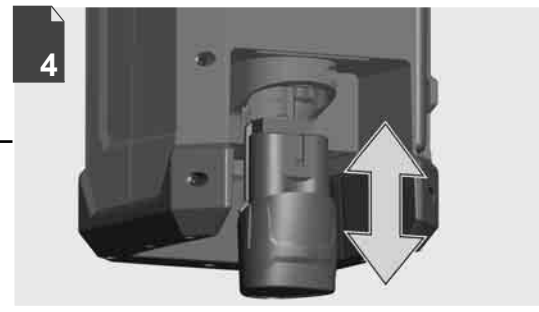
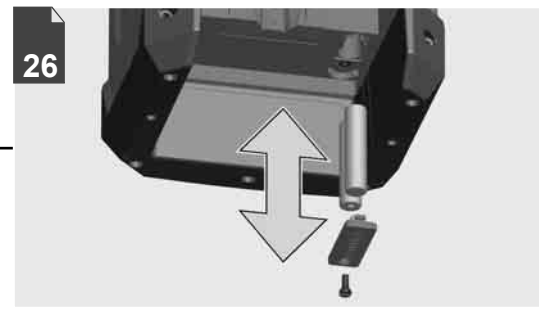
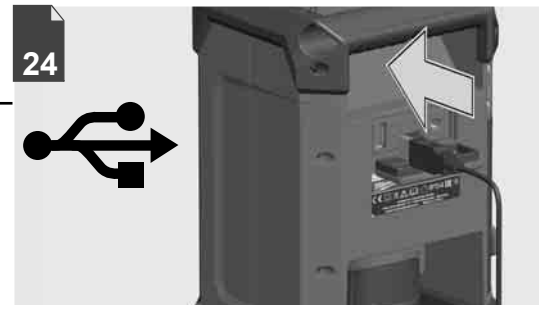
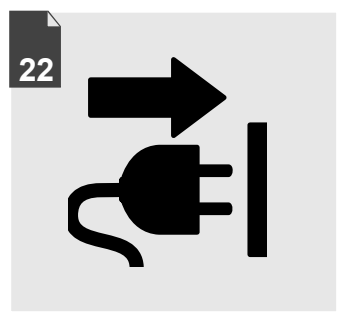
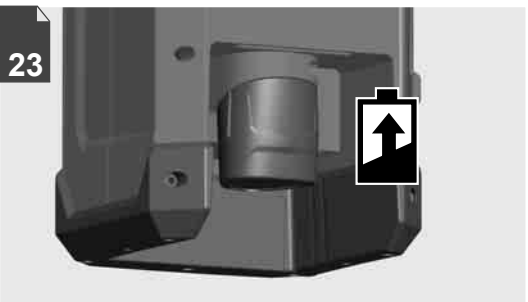
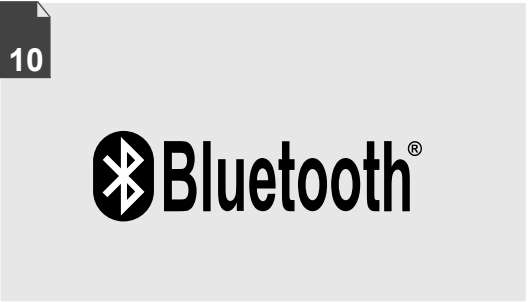
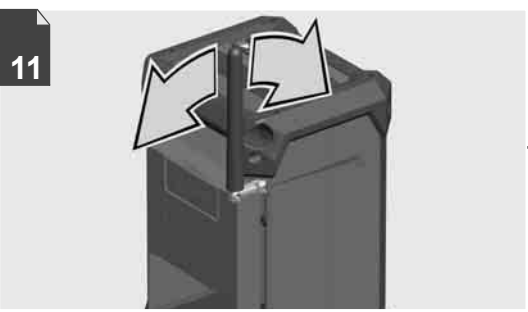


Nothing but **HEAVY DUTY.**[®]

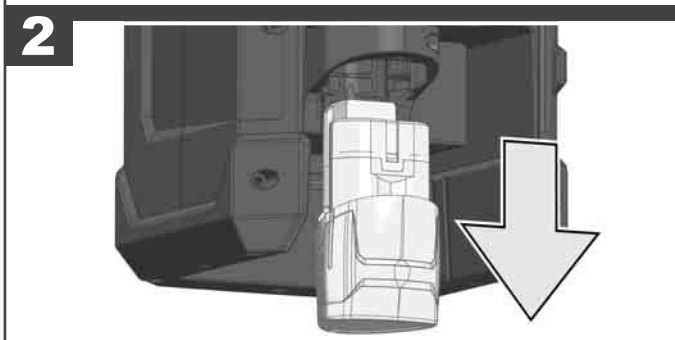
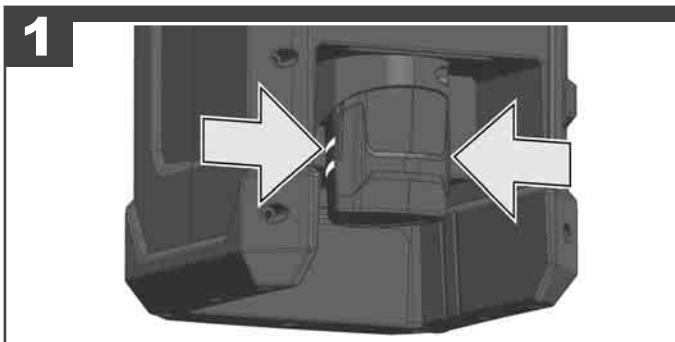
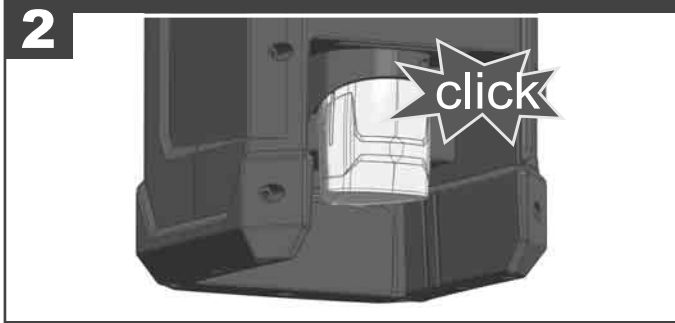
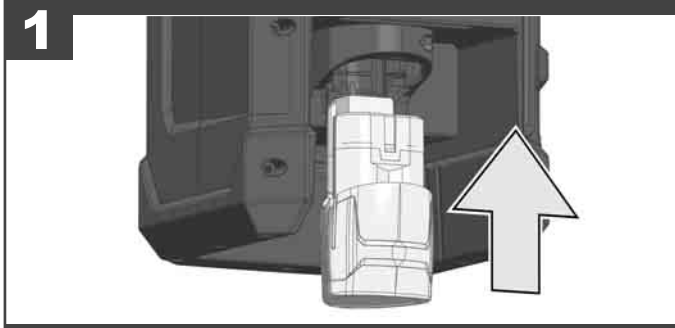
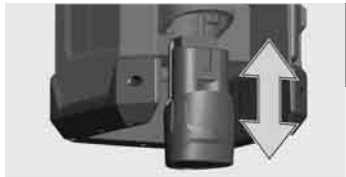


M12 RCDAB+

Original instructions



28 Text section with Technical Data, important Safety and Working Hints and description of Symbols



If the radio is connected to AC power, the battery is charging.
If the radio is not connected to AC power, the radio is on battery power.

ON / OFF

ON

Connecting

OFF

VOLUME

Volume 10

DAB [Progressive Bar]

Volume 3

DAB [Progressive Bar]

MODE SELECTION

1

01001110101

DAB Initializing

DAB [Progressive Bar]

2

FM STEREO 90.2MHz
Milwaukee Radio

3

AM 540KHz

6

Connecting

BASS / TREBLE

1

TREBLE

Treble 0

DAB [Progressive Bar]

2

TREBLE +

Treble 2

DAB [Progressive Bar]

TREBLE -

Treble -3

DAB [Progressive Bar]

3

BASS

Bass 0

DAB [Progressive Bar]

4

BASS +

Bass 3










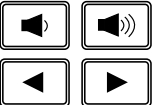






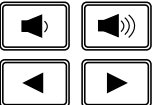


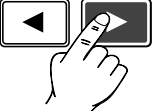


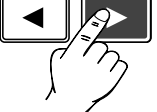

DAB [Progressive Bar]

BASS -



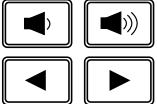



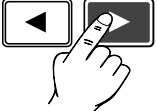



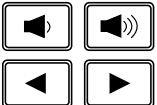


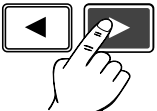





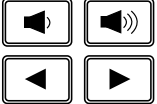






Bass -4

DAB [Progressive Bar]

DAB


1		MODE CLOCK			DAB Initializing  DAB ■■■■■■■■■■
2		MODE CLOCK			No DAB Station  DAB
3		MODE CLOCK			Auto Scan  DAB Manual Tune
4		MODE CLOCK			Scanning... 34  DAB ■■■■■■■■
5		MODE CLOCK			Milwaukee Radio  DAB Digital Mix
6		MODE CLOCK			Hitradio  DAB Tophits 123
7		MODE CLOCK			Digit one  DAB Best Mix

DAB Preset

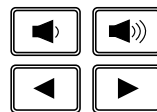
1		MODE CLOCK			Auto Scan  DAB Manual Tune
2		MODE CLOCK			Display Type  DAB Store To Preset
3		MODE CLOCK			Store To  DAB P01
4	P1...P9	MODE CLOCK			Store To  DAB P02
5		MODE CLOCK			DAB Stored  PRESET 2
6		MODE CLOCK			Milwaukee Radio  DAB Digital Mix  PRESET 2
7	1 2 3 4 5 6 7 8 9	MODE CLOCK			Digit One  DAB Best Mix  PRESET 3

FM

1




MODE CLOCK PRESET




FM 87.6MHz

2



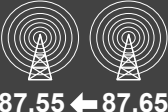
87.6 → 87.65

MODE CLOCK PRESET




FM 87.65MHz

3




87.55 ← 87.65

MODE CLOCK PRESET




FM 87.55MHz

4



87.55 → 90.2

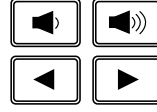
MODE CLOCK PRESET



FM Searching...

5

MODE CLOCK PRESET




FM STEREO 90.2MHz
Radio Milwaukee

FM Preset

1

MODE CLOCK PRESET




2 sec

FM STEREO Display Type
Store to Preset

2


MODE CLOCK PRESET



FM STEREO Display Type
Store to Preset

3

MODE CLOCK PRESET




FM STEREO Store To
P01

4

P1...P9


MODE CLOCK PRESET



FM STEREO Store To
P03

5

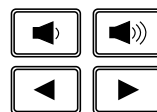
MODE CLOCK PRESET



FM STEREO Stored
PRESET 3

6

MODE CLOCK PRESET




FM STEREO 90.2MHz
Radio Milwaukee
PRESET 3

7



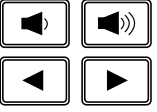














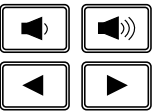

1 2 3 4 5
6 7 8 9

MODE CLOCK PRESET


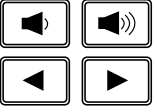
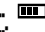










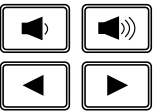


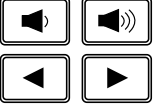



FM STEREO 92.8MHz
Hitradio
PRESET 4

AM

1		MODE CLOCK PRESET			AM 522KHz 
2	 522 → 531	MODE CLOCK PRESET			AM 531KHz 
3	 522 ← 531	MODE CLOCK PRESET			AM 522KHz 
4	 522 ⇄ 630	MODE CLOCK PRESET			AM Searching... 630KHz 
5		MODE CLOCK PRESET			AM 630KHz 

AM Preset

1		MODE CLOCK PRESET			AM Store To Preset Reset All 
2		MODE CLOCK PRESET			AM Store To P01 
3	P1...P9	MODE CLOCK PRESET			AM Store To P05 
4		MODE CLOCK PRESET			AM Stored PRESET 5 
5		MODE CLOCK PRESET			AM 522KHz PRESET 5 
6	1 2 3 4 5 → 6 7 8 9 →	MODE CLOCK PRESET			AM 630KHz PRESET 6 

Display Type DAB

1		<p>▶Auto Scan [Battery] DAB Manual Tune</p>
2		<p>Manual Tune [Battery] DAB ▶Display Type</p>
3		<p>Display [Battery] DAB ▶Dynamic Label</p> <p>↳ Milwaukee Radio [Battery] DAB ▶Digital Mix</p>
4		<p>Display [Battery] DAB ▶Frequency</p> <p>↳ Milwaukee Radio [Battery] DAB ▶7B190.640MHz</p>
5		<p>Display [Battery] DAB ▶Signal Strenght</p> <p>↳ Milwaukee Radio [Battery] DAB [Signal Strength]</p>
6		<p>Display [Battery] DAB ▶Programm Type</p> <p>↳ Milwaukee Radio [Battery] DAB ▶Pop Music</p>

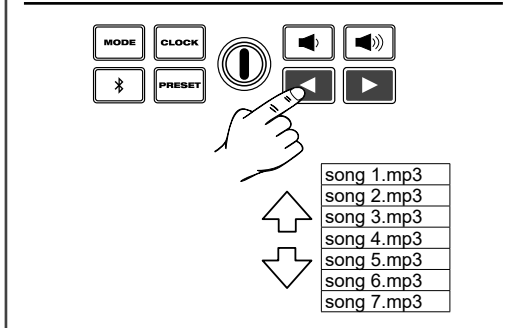
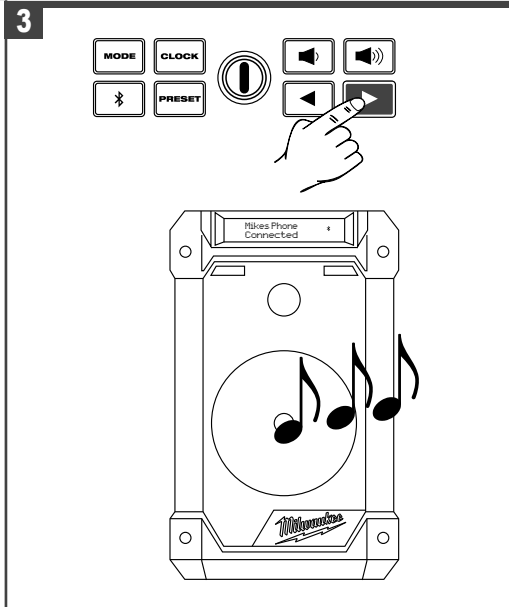
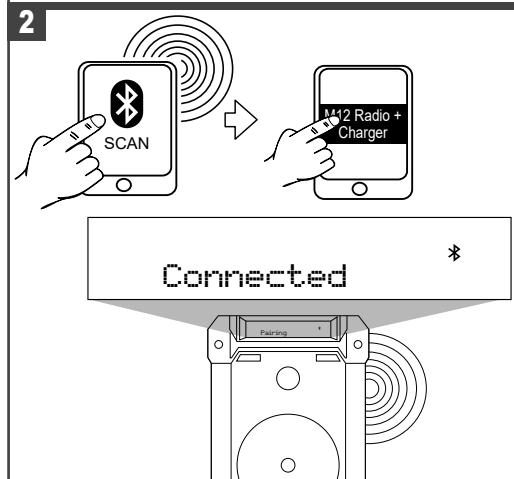
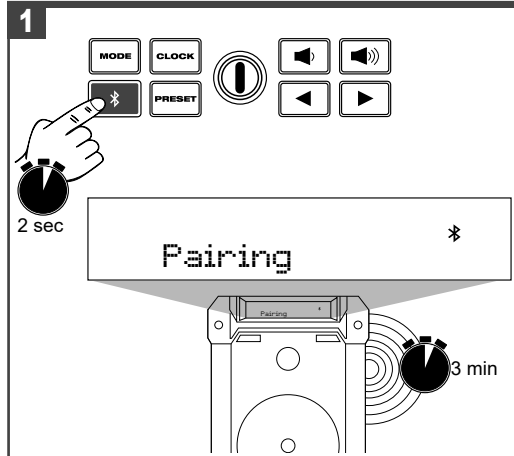
Display Type FM

1		<p>FM ▶Display Type [Battery] Store To Preset</p>
2		<p>FM ▶Display [Battery] Programm Service</p> <p>↳ FM 87.6MHz [Battery] Paradiso PRESET 3</p>
3		<p>FM ▶Display [Battery] Programm Type</p> <p>↳ FM 87.6MHz [Battery] Pop Music PRESET 3</p>
4		<p>FM ▶Display [Battery] Radio Text</p> <p>↳ FM 87.6MHz [Battery] www.radioFM.com... PRESET 3</p>

BLUETOOTH

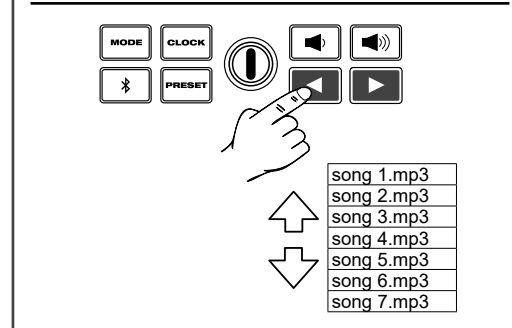
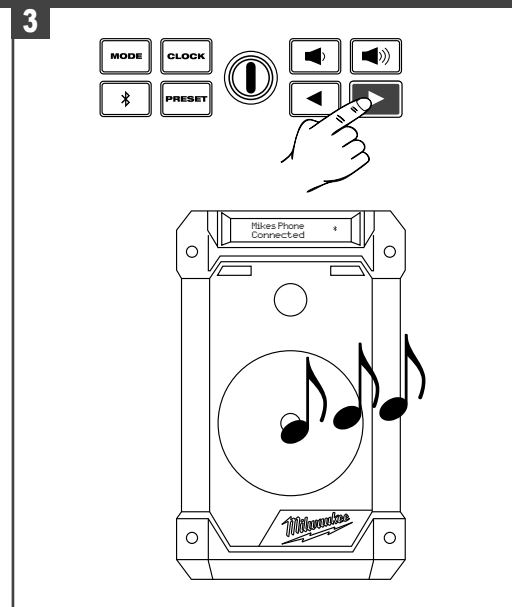
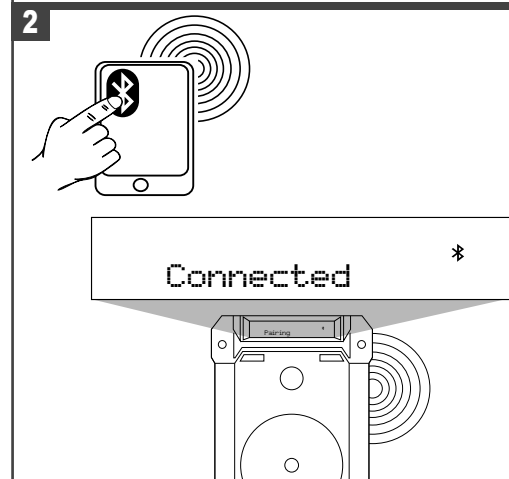
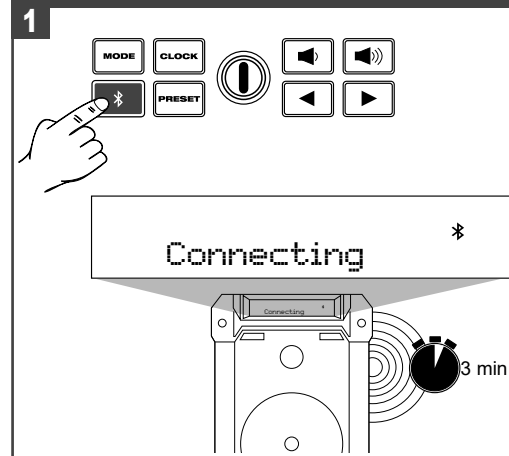
PAIRING

For first connection to a Bluetooth device, the Pairing must be performed.



Connecting

When the radio locates an already paired Bluetooth device, the name of the device will be shown on the radio's display.



Clock ⌚ ↔ * / DAB / FM / AM

*** / DAB / FM / AM**

Mikes Phone Connected

10:35

DAB

Milwaukee Radio
DAB Digital Mix

10:35

DAB

FM

FM STEREO 90.2MHz
Radio Milwaukee 3

10:36

FM STEREO

AM

FM STEREO 630KHz

10:36

FM STEREO

Reset All

1

Auto Scan
DAB Manual Tune

2

Store To Preset
DAB Reset All

3

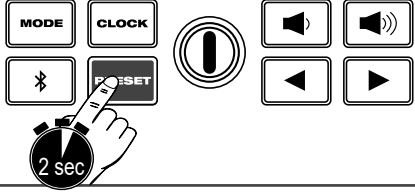
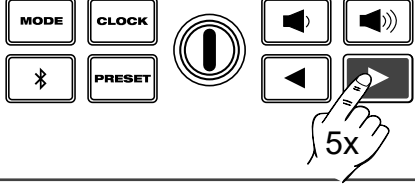
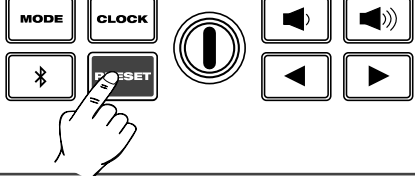
Reset All
DAB No

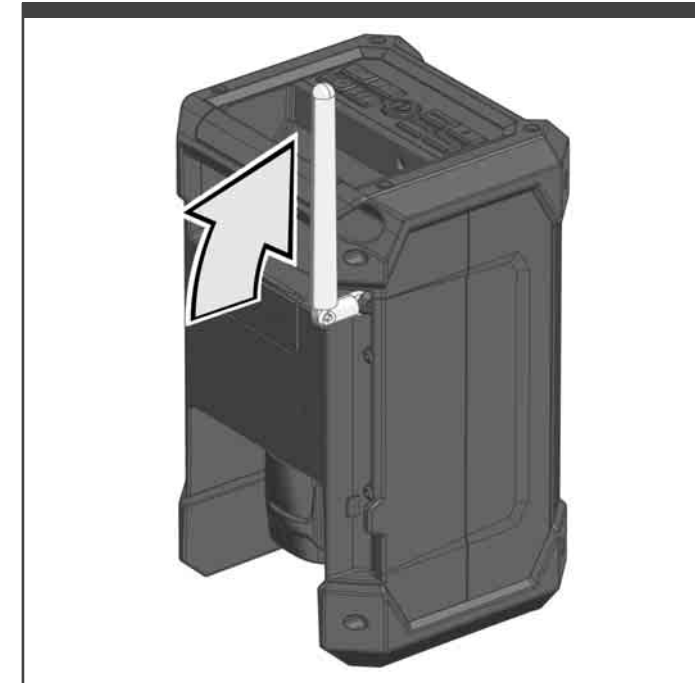
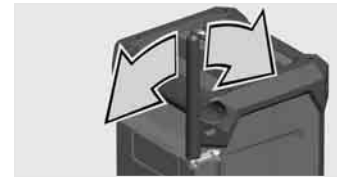
4

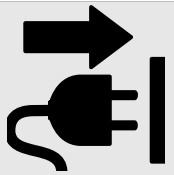
Reset All
DAB Yes

5

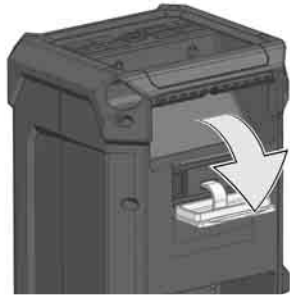
Firmware Version

1	 <p>MODE CLOCK PRESET</p> <p>2 sec</p>	<p>▶ Auto Scan DAB Manual Tune</p>
2	 <p>MODE CLOCK PRESET</p> <p>5x</p>	<p>Reset All DAB ▶ FW Version</p>
3	 <p>MODE CLOCK PRESET</p>	<p>FW Version DAB ▶ Ver:1.002</p>

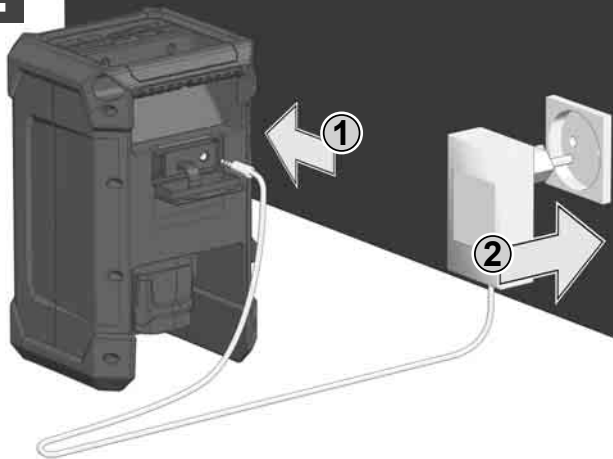




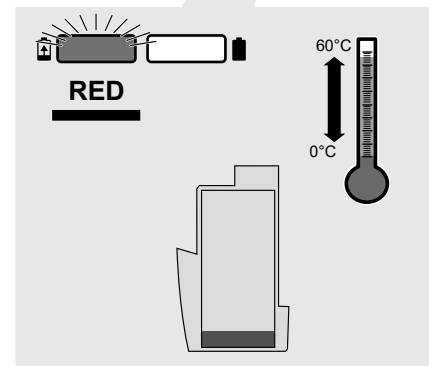
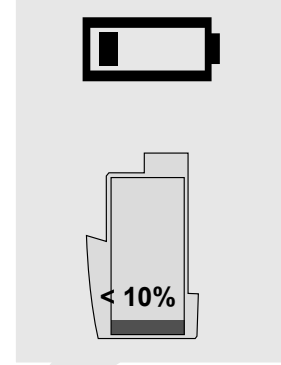
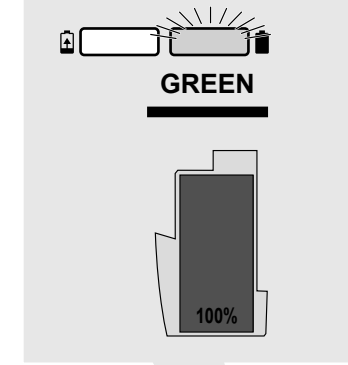
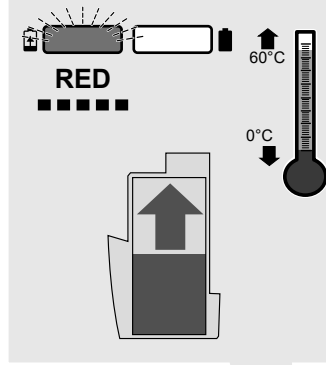
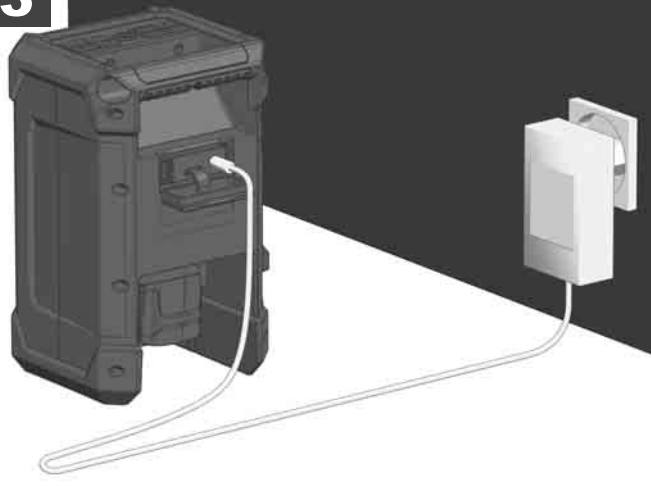
1



2



3





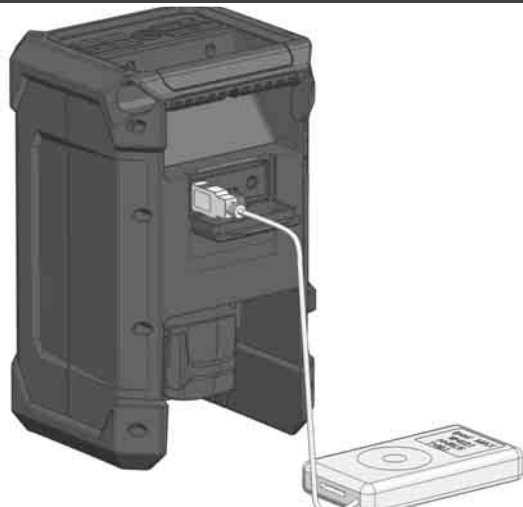
1



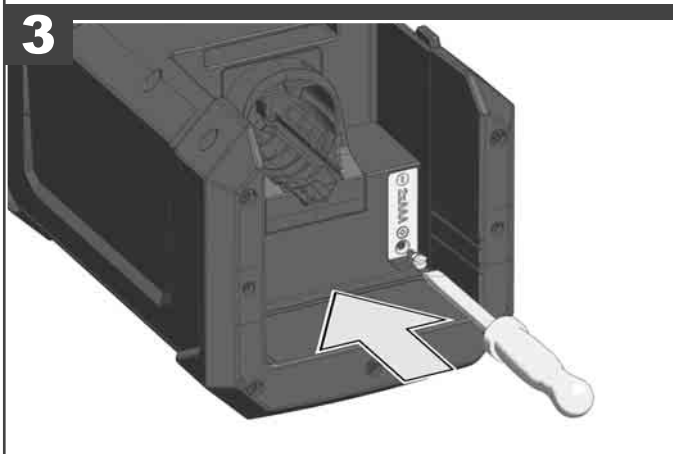
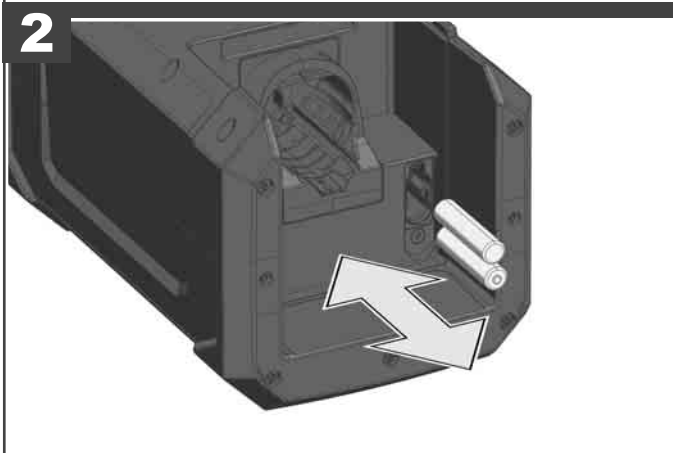
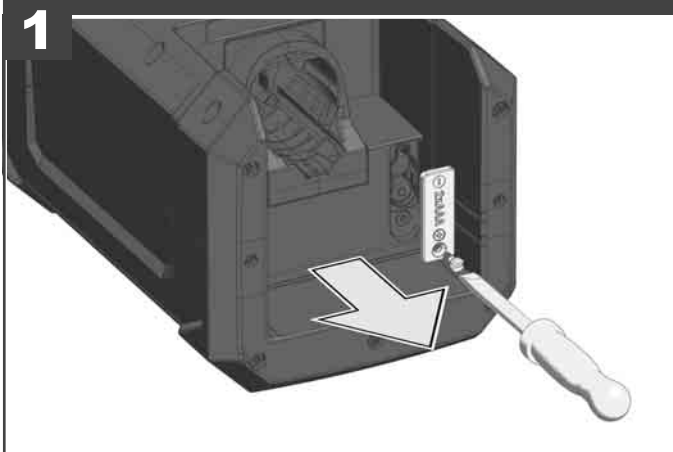
2



3



Devices connected to the USB port are supplied with power. Any device that uses more than 2,1 A of DC electrical current will trip a self-resetting function and disable the output.



Batteries for backup when battery pack is removed.

TECHNICAL DATA RADIO CHARGER M12 RCDAB+

AC/DC Adaptor input	100-240 V
AC/DC Adaptor output	14 V
Rated input	42 W
Battery Voltage	12 V
Weight without packing and battery	1,75 kg
Tuning range AM	522 - 1620 kHz
Tuning range FM	87,5 - 108 MHz
Tuning range DAB+	174 - 240 MHz
Charger output	12 V
Quick charge current	1 A
USB output	5,0 V / 2,1 A
Bluetooth Version	4.2
Frequency band(s) of Bluetooth	2402-2480 MHz
Maximum radio-frequency power transmitted in the frequency band(s)	5,81 dBm
Charge Time	
Li-Ion 12 V / 1.5 Ah	about..... 1,5 h
Li-Ion 12 V / 2.0 Ah	about..... 2 h
Li-Ion 12 V / 3.0 Ah	about..... 3 h
Li-Ion 12 V / 4.0 Ah	about..... 4 h
Li-Ion 12 V / 6.0 Ah	about..... 6 h
Recommended ambient operating temperature	-18 +40 °C
Recommended battery Type	M12B...

⚠ WARNING! Read all safety warnings and all instructions. Failure to follow the warnings and instructions may result in electric shock, fire and/or serious injury. **Save all warnings and instructions for future reference.**

RADIO SAFETY WARNINGS

- Never disassemble or modify this apparatus in any way.
- Do not use this apparatus near water.
- Clean only with dry cloth. Certain cleaning agents and solvents are harmful to plastics and other insulated parts. Keep the apparatus handle clean, dry and free of oil or grease.
- Refer all servicing to qualified service personnel.
- Do not install near any heat sources.
- The ventilation should not be impeded by covering the ventilation openings with items, such as newspapers, table-cloths, curtains, etc.
- No flame sources, such as lighted candles, should be placed on the apparatus.
- It shall not be exposed to dripping or splashing and that no objects filled with liquids, such as vases, shall be placed on the apparatus.
- Do not place the product in closed bookcases or racks without proper ventilation.
- Where the mains plug is used as the disconnect device, the disconnect device shall remain readily operable.
- Do not stand on unit.

Warning! To reduce the risk of fire, personal injury, and product damage due to a short circuit, never immerse your tool, battery pack or charger in fluid or allow a fluid to flow inside them. Corrosive or conductive fluids, such as seawater, certain industrial chemicals, and bleach or bleach containing products, etc., can cause a short circuit.

CHARGER SAFETY WARNINGS

- Do not dispose of used battery packs in the household refuse or by burning them. Milwaukee Distributors offer to retrieve old batteries to protect our environment.
- Do not store the battery pack together with metal objects (short circuit risk).
- Use only Milwaukee M12 System chargers for charging Milwaukee M12 System battery packs. Do not use battery packs from other systems.
- Caution! Danger of explosion if battery is incorrectly replaced. **Replace only with the same or equivalent type.**

The following battery packs can be charged with this charger:

Battery Cat. No.	Cell Type	DC Volts	Capacity	Cell No.
M12B	Li-Ion	12 V	≤ 1.5 Ah	3
M12BX	Li-Ion	12 V	≤ 3.0 Ah	2 x 3
M12B2	Li-Ion	12 V	≤ 2.0 Ah	3
M12B3	Li-Ion	12 V	≤ 3.0 Ah	3
M12B4	Li-Ion	12 V	≤ 4.0 Ah	2 x 3
M12B6	Li-Ion	12 V	≤ 6.0 Ah	2 x 3

Do not try to charge non-rechargeable batteries with this charger. No metal parts must be allowed to enter the battery section of the charger (short circuit risk).

Caution!

- Risk of explosion if the battery is replaced by an incorrect type;
- high or low extreme temperatures that a battery can be subjected to during use, storage or transportation,
 - low air pressure at high altitude,
 - replacement of a battery with an incorrect type that can defeat a safeguard (for example in the case of some lithium battery types),
 - disposal of a battery into fire or a hot oven, or mechanically crushing or cutting of a battery,
 - or leaving a battery in an extremely high temperature surrounding environment that can result in an explosion or the leakage of flammable liquid or gas,
 - or a battery subjected to extremely low air pressure that may result in an explosion or the leakage of flammable liquid or gas.

Never break open battery packs and chargers and store only in dry rooms. Keep dry at all times.

Do not touch the tool with conducting objects.

Never charge a damaged battery pack. Replace by a new one.

Before use check machine, cable, and plug for any damages or material fatigue. Repairs should only be carried out by authorised Service Agents.

This appliance is not intended to be used or cleaned by persons with reduced physical, sensory or mental capabilities, or lack of experience or knowledge, unless they have been given instructions concerning the safe use of the appliance by a person legally responsible for their safety. They should be supervised whilst using the appliance.

Children shall not use, clean or play with this appliance, which when not in use should be secured out of their reach.

SPECIFIED CONDITIONS OF USE

The radio charger can charge Milwaukee System 12 V batteries.

The radio is suitable for reception of broadcasting and to import audio sound of different devices via Bluetooth and analog audio connection.

Via USB connection the radio can charge USB devices.

This radio is designed to withstand harsh operating environments as well as unintentional drops.

Do not use this product in any other way as stated for normal use.


EC-DECLARATION OF CONFORMITY

Hereby, Techtronic Industries GmbH declares that the radio equipment type M12 RC is in compliance with Directive 2014/53/EU. The full text of the EU declaration of conformity is available at the following internet address: <http://services.milwaukeeool.eu>.

MAINS CONNECTION

Connect only to single-phase a.c. current and only to the system voltage indicated on the rating plate. It is also possible to connect to sockets without an earthing contact as the design conforms to safety class II.

BATTERIES

Low Battery Indicator: When the radio is powered by a battery pack and its charge falls below 10%, the low battery indicator  is displayed.

Battery Pack Protection: To protect the life of the battery pack, the radio will shut off when the battery's charge becomes too low. If this happens, plug radio charger to a mains connection and charge the battery pack.

Battery packs which have not been used for some time should be recharged before use.

Temperatures in excess of 50°C (122°F) reduce the performance of the battery pack. Avoid extended exposure to heat or sunshine (risk of overheating).

The contacts of chargers and battery packs must be kept clean.

For an optimum life-time, after use, the battery packs have to be fully charged.

CHARGER CHARACTERISTICS

After inserting the battery into the reception of the charger the battery will automatically be charged (red lamp is illuminated continuously)

When a hot or cold battery pack is inserted into the charger (flashing red lamp), charging will begin automatically once the battery reaches the correct charging temperature (0°C...60°C).

Charging time varies depending on the battery temperature, charge needed and the type of battery pack being charged.

If both LEDs flash at the same time, either the battery has not been completely mounted or there is a fault in the battery or the charger. For safety reasons you must stop using the charger and battery immediately and have them inspected by an Milwaukee Customer Service Centre.

BUTTONS



- Power on
- Power off



- cycle between DAB, FM, AM
- Bass and treble - press and hold



- enter menu - press and hold
- select menus
- cycle trough presets in AM or FM mode



- display time
- setting time - press and hold



- entering Bluetooth mode directly



- Volume



- tuning in AM or FM mode
- seeking in AM or FM mode - press and hold
- selecting in DAB mode next station




- skipping in Bluetooth mode
- cycle between menu items

BLUETOOTH

Pairing (Koppelung)


Für die erste Verbindung zu einem Bluetooth-Gerät, muss das Pairing durchgeführt werden.

Bluetooth-Taste  drücken (2 Sek. drücken).

Wenn kein Bluetooth-Gerät verbunden ist, startet das Bluetooth-pairing automatisch und das Symbol  im Display blinkt.

Das Radio sucht 3 Minuten nach einem Signal von einem Bluetooth Gerät.

Für manuelles pairing die Bluetooth Taste  drücken und halten bis das Symbol  blinkt.

Während das Symbol  blinkt am Bluetooth Gerät "M12 Radio Charger" auswählen.

Bei manchen Geräten ist es notwendig die Pin "0000" einzugeben.

Nachdem das Bluetooth Gerät mit dem Radio verbunden ist, wird die das Symbol  im Display angezeigt.



Verbinden

Bluetooth-Taste  drücken.

Wenn das Radio ein bereits gekoppeltes Bluetooth Gerät erkennt, wird der Name des Bluetooth Gerätes im Display angezeigt.

Wenn die Verbindung zwischen Radio und dem Bluetooth-Gerät verloren geht, wird das Radio 3 Minuten lang versuchen die Verbindung wieder herzustellen.

Fernsteuerung

Verbundene Bluetooth Geräte können über die Start- und Pause-Taste ferngesteuert werden. Um zwischen den Liedern hin- und herzuspringen die  und  Tasten benutzen.

TRANSPORTING LITHIUM BATTERIES

Lithium-ion batteries are subject to the Dangerous Goods Legislation requirements.

Transportation of those batteries has to be done in accordance with local, national and international provisions and regulations.

- The user can transport the batteries by road without further requirements.
- Commercial transport of Lithium-Ion batteries by third parties is subject to Dangerous Goods regulations. Transport preparation and transport are exclusively to be carried out by appropriately trained persons and the process has to be accompanied by corresponding experts.

When transporting batteries:

- Ensure that battery contact terminals are protected and insulated to prevent short circuit.
- Ensure that battery pack is secured against movement within packaging.
- Do not transport batteries that are cracked or leak.

Check with forwarding company for further advice

MAINTENANCE

If the supply cord of this appliance is damaged, it must only be replaced by a repair shop appointed by the manufacturer, because special purpose tools are required

Use only Milwaukee accessories and Milwaukee spare parts. Should components need to be replaced which have not been described, please contact one of our Milwaukee service agents (see our list of guarantee/service addresses).

If needed, an exploded view of the tool can be ordered. Please state the ten-digit No. as well as the machine type printed on the label and order the drawing at your local service agents or directly at: Techtronic Industries GmbH, Max-Eyth-Straße 10, 71364 Winnenden, Germany.

SYMBOLS



CAUTION! WARNING! DANGER!



Always disconnect the plug from the socket before carrying out any work on the machine.



Remove the battery pack before starting any work on the machine.



Please read the instructions carefully before starting the machine.



Class II tool, tool in which protection against electric shock does not rely on basic insulation only, but in which additional safety precautions, such as double insulation or reinforced insulation, are provided.
There being no provision for protective earthing or reliance upon installation conditions.



Safety class III



Caution! Risk of electric shock.



Indoor or dry location use only.



Do not burn used battery packs.



Never charge a damaged battery pack. Replace by a new one.



Do not dispose electric tools, batteries/rechargeable batteries together with household waste material.
Electric tools and batteries that have reached the end of their life must be collected separately and returned to an environmentally compatible recycling facility.
Check with your local authority or retailer for recycling advice and collection point.



European Conformity Mark



British Conformity Mark



Ukraine Conformity Mark



EurAsian Conformity Mark

Copyright 2021

Techtronic Industries GmbH
Max-Eyth-Str. 10
71364 Winnenden
Germany

+49 (0) 7195-12-0

www.milwaukeeetool.eu

Techtronic Industries (UK) Ltd
Fieldhouse Lane
Marlow Bucks SL7 1HZ
UK



(10.21)

4100 4703 26