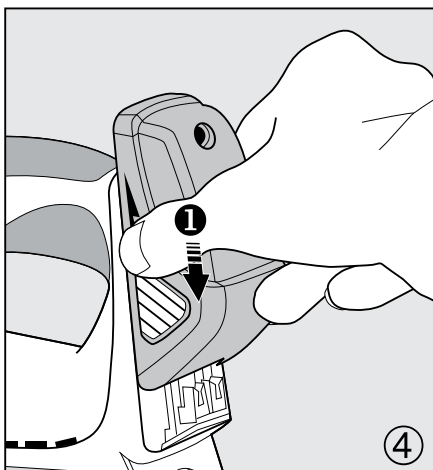
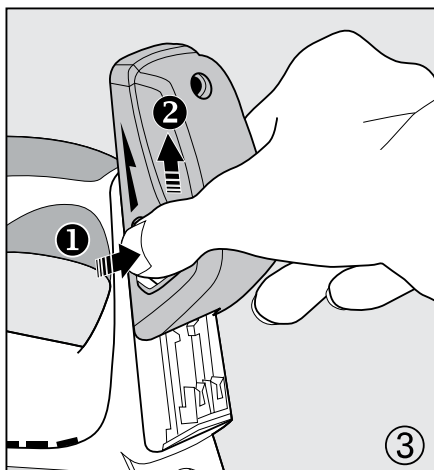
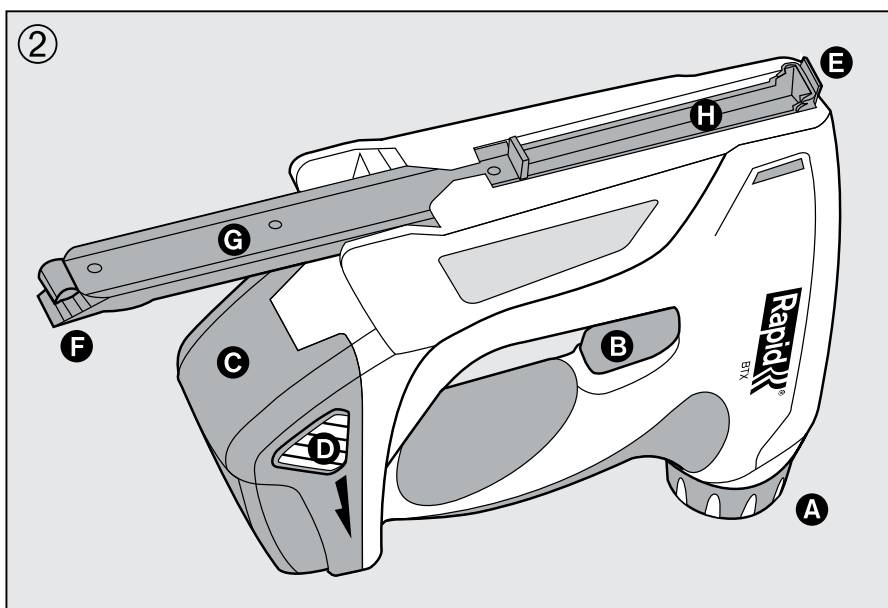
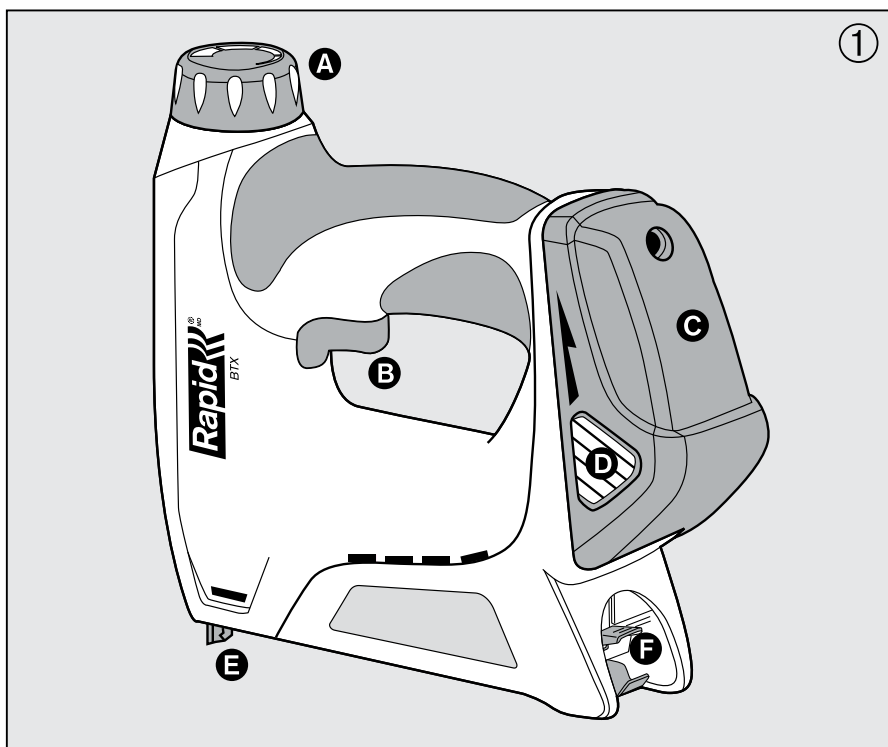
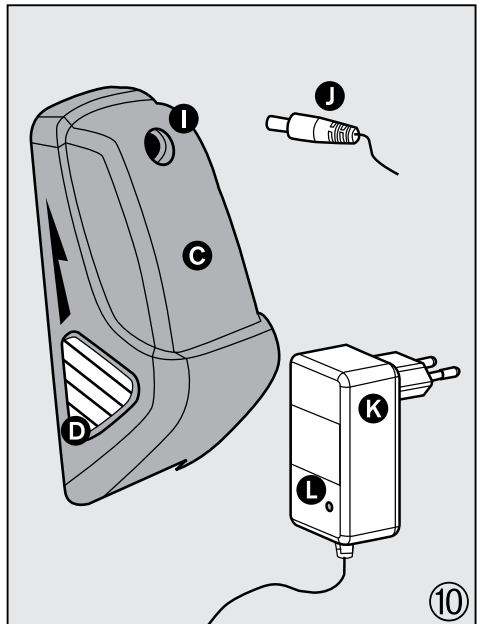
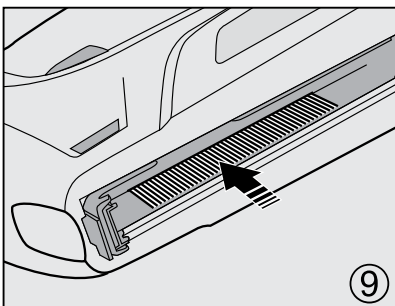
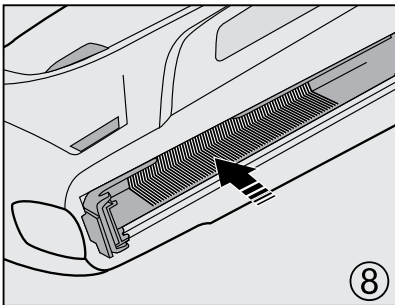
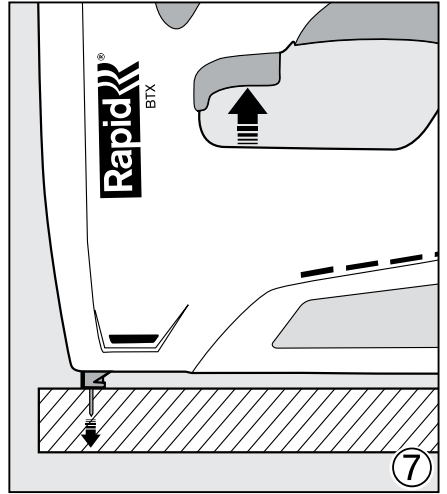
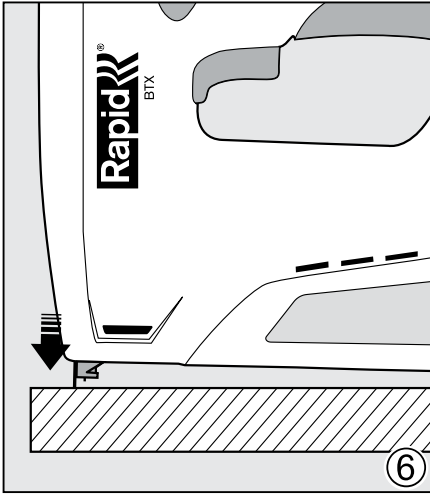
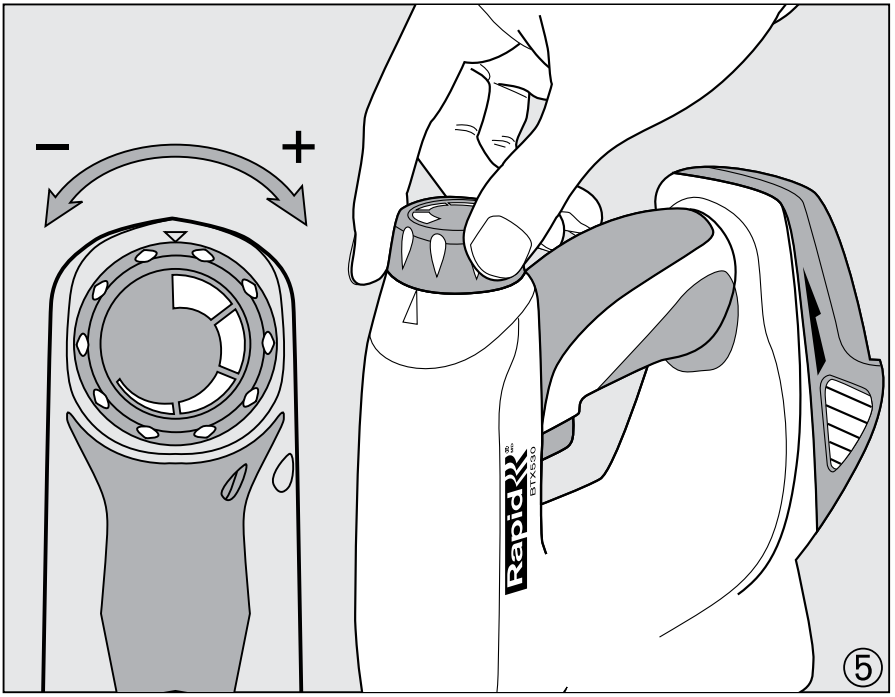


Operating instructions



- | | |
|---|---|
| GB BATTERY TACKER | EE AKUGA KLAMBRIPÜSTOL |
| DE AKKUTACKER | LT AKUMULIATORINIS KABIJŲ
KALIMO RANKIS |
| FR AGRAFEUSE A BATTERIE | LV AKUMULATORA SKAVOTĀJS |
| NL ACCUTACKER | CZ AKUMULÁTOROVÁ
SPONKOVAČKA |
| IT GRAFFATRICE A BATTERIA | SK BATÉRIOVÁ SPONKOVAČKA |
| ES GRAPADORA CON BATERIA | SI BATERIJSKI SPENJALNIK |
| PT AGRAFADOR A BATERIA | HR AKU KLAMERICA |
| SE BATTERIDRIVEN HÄFTPISTOL | GR ΚΑΡΦΩΤΙΚΟ ΜΕ ΜΠΑΤΑΡΙΑ |
| DK BATTERI HÆFTEPISTOL | TR PİLLİ ÇAKMA TABANCASI |
| NO BATTERIDREVEN STIFTEPISTOL | HU AKKUMULÁTOROS TŰZÓGÉP |
| FI AKKUKÄYTTÖINEN
SINKILÄPISTOOLI | RO CAPSATOR CU ACUMULATOR |
| PL ZSZYWACZ AKUMULATOROWY | BG АКУМУЛАТОРЕН ТАКЕР |
| RU АККУМУЛЯТОРНЫЙ СТЕПЛЕР | |





GB	Operating instructions - Original	5
DE	Übersetzung der Original-Bedienungsanleitung	9
FR	Traduction des instructions originales	15
NL	Traduction des instructions originales	20
IT	Traduzione delle istruzioni originali	25
ES	Traducción de las instrucciones originales	30
PT	Tradução das instruções originais	35
SE	Översättning av originalinstruktionerna	40
DK	Oversættelse af den originale vejledning	45
NO	Oversettelse av originalinstruksjonene	49
FI	Alkuperäisten ohjeiden käännös	54
PL	Tłumaczenie oryginalnej instrukcji obsługi	59
RU	Перевод оригинальных инструкций	64
EE	Originaalkasutusjuhendi tõlge	69
LT	Originalių instrukcijų vertimas	74
LV	Sākotnējo lietošanas norādījumu tulkojums	78
CZ	Překlad originálního návodu	83
SK	Preklad pôvodných pokynov	88
SI	Prevod originalnih navodil	93
HR	Prijevod izvornih uputa	98
GR	Μετάφραση των πρωτότυπων οδηγιών	102
TR	Orijinal talimatların çevirisi	108
HU	Az eredeti utasítások fordítása	112
RO	Traducerea instrucțiunilor originale	118
BG	Превод на оригиналните инструкции	123

Complies to relevant EU directives



GENERAL POWER TOOLS SAFETY WARNINGS

WARNING!! Read all safety warnings and all instructions.

Failure to follow all instructions listed below may result in electric shock, fire and/or serious personal injury.

Save all warnings and instructions for future reference.

The term "power tool" in the warnings refers to your mains-operated (corded) power tool or battery-operated (cordless) power tool.



1) WORK AREA SAFETY

- a) **Keep your work area clean and well lit.** Cluttered benches and dark areas invite accidents.
- b) **Do not operate power tools in explosive atmospheres, such as in the presence of flammable liquids, gases, or dust.** Power tools create sparks which may ignite the dust or fumes.
- c) **Keep bystanders, children, and visitors away while operating a power tool.** Distractions can cause you to lose control.

2) ELECTRICAL SAFETY

- a) **Power tool plugs must match the outlet. Never modify the plug in any way. Do not use any adapter plugs with earthed (grounded) power tools.** Unmodified plugs and matching outlets will reduce risk of electric shock.
- b) **Avoid body contact with grounded surfaces such as pipes, radiators, ranges and refrigerators.** There is an increased risk of electric shock if your body is grounded.
- c) **Do not expose power tools to rain or wet conditions.** Water entering a power tool will increase the risk of electric shock.
- d) **Do not abuse the cord. Never use the cord for carrying, pulling or unplugging the power tool. Keep cord away from heat, oil, sharp edges or moving parts.** Damaged or entangled cords increase the risk of electric shock.
- e) **When operating a power tool outdoors, use an extension cord suitable for outdoor use.** Use of a cord suitable for outdoor use reduces the risk of electric shock.
- f) **If operating a power tool in a damp location is unavoidable, use a ground fault circuit interrupter protected supply.** Use of a ground fault circuit interrupter reduces the risk of electric shock.

3) PERSONAL SAFETY

- a) **Stay alert, watch what you are doing and use common sense when operating a power tool. Do not use a power tool while you are tired or under the influence of drugs, alcohol or medication.** A moment of inattention while operating power tools may result in serious personal injury.
- b) **Use personal protective equipment. Always wear eye protection.** Protective equipment such as dust mask, non-skid safety shoes, hard hat, or hearing protection used for appropriate conditions will reduce personal injuries.
- c) **Prevent unintentional starting. Ensure the switch is in the off-position before connecting to power source and/or battery pack, picking up or carrying the tool.** Carrying power tools with your finger on the switch or energizing power tools that have the switch on invites accidents.
- d) **Remove any adjusting key or wrench before turning the**

power tool on. A wrench or a key left attached to a rotating part of the power tool may result in personal injury.

- e) **Do not overreach. Keep proper footing and balance at all times.** This enables better control of the power tool in unexpected situations.
- f) **Dress properly. Do not wear loose clothing or jewellery. Keep your hair, clothing and gloves away from moving parts.** Loose clothes, jewellery or long hair can be caught in moving parts.
- g) **If devices are provided for the connection of dust extraction and collection facilities, ensure these are connected and properly used.** Use of dust collection can reduce dust-related hazards.
- h) **Do not let familiarity gained from frequent use of tools allow you to become complacent and ignore tool safety principles.** A careless action can cause severe injury within a fraction of a second.

4) POWER TOOL USE AND CARE

- a) **Do not force the power tool. Use the correct power tool for your application.** The correct power tool will do the job better and safer at the rate for which it was designed.
- b) **Do not use the power tool if the switch does not turn it on and off.** Any power tool that cannot be controlled with the switch is dangerous and must be repaired.
- c) **Disconnect the plug from the power source and/or the battery pack from the power tool before making any adjustments, changing accessories, or storing power tools.** Such preventive safety measures reduce the risk of starting the power tool accidentally.
- d) **Store idle power tools out of the reach of children and do not allow persons unfamiliar with the power tool or these instructions to operate the power tool.** Power tools are dangerous in the hands of untrained users.
- e) **Maintain power tools. Check for misalignment or binding of moving parts, breakage of parts and any other condition that may affect the power tool's operation. If damaged, have the power tool repaired before use.** Many accidents are caused by poorly maintained power tools.
- f) **Keep cutting tools sharp and clean.** Properly maintained cutting tools with sharp cutting edges are less likely to bind and are easier to control.
- g) **Use the power tool, accessories and tool bits etc. in accordance with these instructions, taking into account the working conditions and the work to be performed.** Use of the power tool for operations different from those intended could result in a hazardous situation.
- h) **Keep handles and grasping surfaces dry, clean and free from oil and grease.** Slippery handles and grasping surfaces do not allow for safe handling and control of the tool in unexpected situations.

5) BATTERY TOOL USE AND CARE

- a) **Recharge only with the charger specified by the manufacturer.** A charger that is suitable for one type of battery pack may create a risk of fire when used with another battery pack.
- b) **Use power tools only with specifically designated battery packs.** Use of any other battery packs may create a risk of injury and fire.

- c) **When battery pack is not in use, keep it away from other metal objects, like paper clips, coins, keys, nails, screws or other small metal objects, that can make a connection from one terminal to another.** Shorting the battery terminals together may cause burns or a fire.
- d) **Under abusive conditions, liquid may be ejected from the battery; avoid contact. If contact accidentally occurs, flush with water. If liquid contacts eyes, additionally seek medical help.** Liquid ejected from the battery may cause irritation or burns.
- e) **Do not use a battery pack or tool that is damaged or modified.** Damaged or modified batteries may exhibit unpredictable behaviour resulting in fire, explosion or risk of injury.
- f) **Do not expose a battery pack or tool to fire or excessive temperature.** Exposure to fire or temperature above 130 °C/265 °F may cause explosion.
- g) **Follow all charging instructions and do not charge the battery pack or tool outside the temperature range specified in the instructions.** Charging improperly or at temperatures outside the specified range may damage the battery and increase the risk of fire.

6) SERVICE

- a) **Have your power tool serviced by a qualified repair person using only identical replacement parts.** This will ensure that the safety of the power tool is maintained.
- b) **Never service damaged battery packs.** Service of battery packs should only be performed by the manufacturer or authorized service providers.

TACKER SAFETY WARNINGS

- **Always assume that the tool contains fasteners.** Careless handling of the tacker can result in unexpected firing of fasteners and personal injury.
- **Do not point the tool towards yourself or anyone nearby.** Unexpected triggering will discharge the fastener causing an injury.
- **Do not actuate the tool unless the tool is placed firmly against the work piece.** If the tool is not in contact with the work piece, the fastener may be deflected away from your target.
- **Disconnect the tool from the power source when the fastener jams in the tool.** While removing a jammed fastener, the tacker may be accidentally activated if it is plugged in.
- **Use caution while removing a jammed fastener.** The mechanism may be under compression and the fastener may be forcefully discharged while attempting to free a jammed condition.
- **Do not use this tacker for fastening electrical cables.** It is not designed for electric cable installation and may damage the insulation of electric cables thereby causing electric shock or fire hazards.

TECHNICAL SPECIFICATION

Battery Tacker, model number	BTX530	BTX140
Staple type	Rapid 53	Rapid 140
Staple length	6-14 mm	6-14 mm
Magazine capacity staple, max	112 pcs	66 pcs
Brad type, length	Rapid T8, 15 mm	
Magazine capacity brads, max	66 pcs	
Tool Dimensions (Incl. Battery) H x W x L	195 x 60 x 220 mm	
Weight	1.360 kg	
Battery		

Type, Voltage	Li-Ion, 7.2 V
Capacity	1300 mAh
Charging time	90 minutes
Shots per charge, max	≈ 1500 shots
Stapling speed, max continuous	20 shots/minute
Charger	
Input	100-240V, 50-60Hz
Output	8.4V DC
Current	1000 mA

NOISE EMISSION

A-weighted sound pressure level $L_{pA}=79.3$ dB(A), uncertainty $K=3$ dB(A)

A-weighted sound power level $L_{wA}=90.3$ dB(A), uncertainty $K=3$ dB(A)

Recommendation for the operator to wear hearing protection.

VIBRATION

Vibration total value= 1.214 m/s², uncertainty $K=1.5$ m/s²

The declared vibration total value has been measured in accordance with a standard test method and may be used for comparing one tool with another.

The declared vibration total value may also be used in a preliminary assessment of exposure.

WARNING

The vibration emission during actual use of the power tool can differ from the declared total value depending on the ways in which the tool is used.

It's needed to identify safety measures to protect the operator that are based on an estimation of exposure in the actual conditions of use (taking account of all parts of the operating cycle such as the times when the tool is switched off and when it is running idle in addition to the trigger time).



ASSEMBLY

DEFINITIONS (Figure 1, 2 and 10)

A : Power adjustment knob

B : Trigger

C : Battery pack

D : Unlocking buttons

E : Safety yoke

F : Magazine latch

G : Rail

H : Magazine

I : Socket

J : Charging point

K : Charger

L : LED

REMOVAL AND CONNECTION OF THE BATTERY

1. To remove the battery **C**, press the unlocking buttons **D** and slide the battery out of the machine (Figure 3).
2. To connect the battery; slide it in the other direction until the connection clicks (Figure 4).

LOAD STAPLES/BRADS INTO THE MAGAZINE

1. Press the magazine latch **F** to unlock it from the tacker body.
2. Slide the rail **G** backwards.
3. Insert staples/brads strip as shown in figure 8 and 9.
4. Close the magazine by pushing the rail frontward until locking.

REMOVE STAPLES/BRADS FROM THE MAGAZINE

1. Press the magazine latch **F** to unlock it from the tacker body.
2. Slide the rail **G** backwards.
3. Remove the staples/brads from the magazine.
4. Close the magazine.

OPERATION

STAPLING/NAILING

1. Make sure the tool is in good working condition.
2. Turn the power adjustment knob to adjust the penetration depth of staples/brads to your need (Figure 5).
3. Firmly press the safety yoke **E** against the work piece until it is pushed in a few millimeters (Figure 6).
4. Briefly press the trigger **B** and then release again (Figure 7).
5. Trigger **B** is locked as long as you do not press safety yoke against the work piece, thus preventing accidental operation.

OPERATING INSTRUCTIONS OF CHARGER

Do not use the tool whilst charging process.

1. Remove the battery out of the tool.
 2. Connect the charging point **J** of the charger into the socket **I** of the battery (Figure 10).
 3. Connect the charger **K** to the mains. → The LED **L** on the charger will turn red during the charge (Figure 10).
 4. When the battery is fully charged, the LED **L** of the charger will turn green (Figure 10).
 5. Disconnect the plug **J** out of the socket **I** and unplug the charger **K** from the mains. Charge only at ambient temperature between 10°C and 50°C.
- During the process of charging, the charger can become warm: this is normal.
Do not store the battery in locations where the temperature may exceed 50°C.

NOTE: For better performance press the tool against the work piece.

NOTE: In case of a jammed staple or brad, read the maintenance section. DO NOT re-fire the tool in order to clear the jam as this may damage the tool.

NOTE: During operation, the tool may feel warm. This is normal but if the tool starts to feel hot use shall be discontinued until it cools down.

NOTE: The tacker should be used only for the intended purposes. This tool is intended for tacking of wood, cardboard, insulating material, fabric, foils, leather and similar materials on surfaces of wood or materials similar to wood. For private use only.

NOTE: Use the tool only with the specifically designated battery pack.

MAINTENANCE

STANDARD MAINTENANCE

1. Inspect all screws and tighten if necessary.
2. Keep all vents free from dust and dirt.
3. Remove the battery pack before cleaning the tool.
4. Clean tool by a dry or damp cloth. NEVER use any solvent.
5. Keep the magazine channel clean.
6. DO NOT oil or grease any parts
7. Be sure the tacker is not damaged. Replace or repair prior to use.

CLEARING A JAMMED STAPLE/BRAD

1. Press the magazine latch **F** to unlock it from the tacker body.
2. Slide the rail **G** backwards.
3. Take out the loose staples/brads from the magazine.
4. Use a pin with a sharp end to remove the jammed staple/brad.

WARNING!!

DO NOT alter parts on this tacker or attach special fixtures. This can lead to personal injury. If the tool/charger should fail despite the care taken in manufacturing and testing procedures, repair should be carried out by an after-sales service centre for Rapid tools.



ENVIRONMENT

Separate Collection. Do not dispose power tools into household waste! According to the European Directive 2012/19/EC on waste of electrical and electronic equipment.

- When the tool needs to be replaced, or if it is of no further use it should be brought to a separate collection centre for recycling.
- Battery: the batteries are recyclables.



The battery can be recharged many times. At the end of their useful life, run the battery down completely, then remove it from the tool, and bring it to a local recycling station.

BTX530 / BTX140

Übersetzung der Original - Bedienungsanleitung



Entspricht den einschlägigen EU-Richtlinien



ALLGEMEINE SICHERHEITSWARNUNGEN FÜR ELEKTROWERKZEUGE

WARNUNG!! Lesen Sie alle Sicherheitshinweise, Anweisungen, Abbildungen und Spezifikationen, die mit diesem Elektrowerkzeug geliefert werden. Die Nichtbeachtung der unten aufgeführten Anweisungen kann zu einem elektrischen Schlag, Feuer und / oder schweren Verletzungen führen.



Alle Warnungen und Anweisungen aufbewahren, um später darauf zurückgreifen zu können.

Der in den Sicherheitshinweisen verwendete Begriff „Elektrowerkzeug“ bezieht sich auf netzbetriebene Elektrowerkzeuge (mit Netzkabel) und auf akkubetriebene Elektrowerkzeuge (ohne Netzkabel).

1) ARBEITSPLATZSICHERHEIT

- a) **Halten Sie Ihren Arbeitsbereich sauber und gut beleuchtet.** Unaufgeräumte Werkbänke oder dunkle Bereiche sind unfallträchtig.
- b) **Arbeiten Sie mit dem Gerät nicht in explosionsgefährdeter Umgebung, in der sich brennbare Flüssigkeiten, Gase oder Stäube befinden.** Elektrowerkzeuge erzeugen Funken, die den Staub oder die Dämpfe entzünden können.

c) **Halten Sie Kinder, Besucher und andere Personen während der Benutzung des Elektrowerkzeugs fern.** Bei Ablenkung können Sie die Kontrolle über das Gerät verlieren.

2) ELEKTRISCHE SICHERHEIT

a) **Der Netzstecker des Gerätes muss in die Netzsteckdose passen.** Der Netzstecker darf in keiner Weise verändert werden. Verwenden Sie keine Adapterstecker gemeinsam mit schutzgeerdeten Geräten.

Unveränderte Netzstecker und passende Netzsteckdosen verringern das Risiko eines elektrischen Schlages. „

b) **Vermeiden Sie Körperkontakt mit geerdeten Oberflächen, wie von Rohren, Heizungen, Herden und Kühlschränken.** Es besteht ein erhöhtes Risiko durch elektrischen Schlag, wenn Ihr Körper geerdet ist.

c) **Halten Sie Elektrogeräte von Regen oder Nässe fern.** Das Eindringen von Wasser in ein Elektrogerät erhöht das Risiko eines elektrischen Schlages.

d) **Zweckentfremden Sie das Kabel nicht.** Verwenden Sie das Kabel niemals, um das Gerät zu tragen, zu ziehen oder um den Netzstecker aus der Netzsteckdose zu ziehen. Halten Sie das Kabel fern von Hitze, Öl, scharfen Kanten oder sich bewegenden Geräteteilen. Beschädigte oder verwickelte Kabel erhöhen das Risiko eines elektrischen Schlages.

e) **Wenn Sie mit einem Elektrowerkzeug im Freien arbeiten, verwenden Sie nur Verlängerungskabel, die auch für den Außenbereich zugelassen sind.** Die Anwendung eines für den Außenbereich geeigneten Verlängerungskabels verringert das Risiko eines elektrischen Schlages.

f) **Wenn der Betrieb des Elektrowerkzeuges in feuchter Umgebung nicht vermeidbar ist, verwenden Sie einen Fehlerstromschutzschalter.** Die Verwendung eines Fehlerstromschutzschalters verringert das Risiko eines elektrischen Schlages.

3) SICHERHEIT VON PERSONEN

a) **Seien Sie aufmerksam, achten Sie darauf, was Sie tun, und verwenden Sie ein Elektrowerkzeug mit Vernunft.** Benutzen Sie das Gerät nicht, wenn Sie müde sind oder unter dem Einfluss von Drogen, Alkohol oder Medikamenten stehen. Ein Moment der Unachtsamkeit beim Gebrauch des Gerätes kann zu ernsthaften Verletzungen führen.

b) **Verwenden Sie persönliche Schutzausrüstungen.** Tragen Sie immer einen Augenschutz. Das Tragen persönlicher Schutzausrüstung, wie Staubmaske, rutschfester Sicherheitsschuhe, Schutzhelm oder Gehörschutz, je nach Art und Einsatz des Elektrowerkzeuges, verringert das Risiko von Verletzungen.“

c) **Vermeiden Sie eine unbeabsichtigte Inbetriebnahme.** Stellen Sie sicher, dass das Gerät ausgeschaltet ist, bevor Sie es an eine Stromquelle und/oder einen Batteriepack anschließen, es aufheben oder herumtragen. Wenn Sie beim Tragen des Elektrowerkzeuges den Finger am Schalter haben oder das Gerät eingeschaltet an die Stromversorgung anschließen, kann dies zu Unfällen führen.

d) **Entfernen Sie Einstellwerkzeuge oder Schraubenschlüssel, bevor Sie das Gerät einschalten.** Ein Werkzeug oder Schlüssel, der sich in einem drehenden Geräteteil befindet, kann zu Verletzungen führen.

- e) **Vermeiden Sie eine abnormale Körperhaltung.** Sorgen Sie für einen sicheren Stand und halten Sie jederzeit das Gleichgewicht. Dadurch können Sie das Gerät in unerwarteten Situationen besser kontrollieren.
- f) **Geeignete Kleidung tragen.** Tragen Sie keine weite Kleidung oder Schmuck. Halten Sie Haare, Kleidung und Handschuhe fern von sich bewegenden Teilen. Lockere Kleidung, Schmuck oder lange Haare können von sich bewegenden Teilen erfasst werden.
- g) **Wenn Staubabsaug- und -auffangeinrichtungen montiert werden können, vergewissern Sie sich, dass diese angeschlossen sind und richtig verwendet werden.** Die Verwendung einer Staubabsaugung verringert Gefährdungen durch Staub.
- h) **Wiegen Sie sich nicht in falscher Sicherheit und setzen Sie sich nicht über die Sicherheitsregeln für Elektrowerkzeuge hinweg, auch wenn Sie nach vielfachem Gebrauch mit dem Elektrowerkzeug vertraut sind.** Achtloses Handeln kann binnen Sekundenbruchteilen zu schweren Verletzungen führen.

4) SORGFÄLTIGER UMGANG MIT UND GEBRAUCH VON ELEKTROWERKZEUGEN

- a) **Überlasten Sie das Gerät nicht. Verwenden Sie für Ihre Arbeit das dafür bestimmte Elektrowerkzeug.** Mit dem passenden Elektrowerkzeug arbeiten Sie besser und sicherer im angegebenen Leistungsbereich.
- b) **Benutzen Sie kein Elektrowerkzeug, dessen Schalter defekt ist.** Ein Elektrowerkzeug, das sich nicht mehr ein- oder ausschalten lässt, ist gefährlich und muss repariert werden.
- c) **Ziehen Sie den Netzstecker aus der Netzsteckdose und/ oder nehmen Sie den Batteriepack aus dem Gerät, bevor Sie Geräteeinstellungen vornehmen, Zubehörteile wechseln oder das Gerät weglegen. Solche vorbeugenden Sicherheitsmaßnahmen reduzieren das Risiko eines unbeabsichtigten Einschaltens.**
- d) **Bewahren Sie unbenutzte Elektrowerkzeuge außerhalb der Reichweite von Kindern auf.** Lassen Sie Personen das Gerät nicht benutzen, die mit diesem nicht vertraut sind oder diese Anweisungen nicht gelesen haben. Elektrowerkzeuge sind gefährlich, wenn Sie von unerfahrenen Personen benutzt werden.
- e) **Wartung des Elektrowerkzeugs und des Zubehörs.** Stellen Sie sicher, dass sich alle beweglichen und festen Teile in der richtigen Position befinden und dass keine Teile gebrochen sind oder sonstige Fehler vorliegen, die einen Betrieb des Werkzeugs beeinträchtigen. Lassen Sie beschädigte Teile vor dem Einsatz des Geräts reparieren. Viele Unfälle haben ihre Ursache in schlecht gewarteten Elektrowerkzeugen.
- f) **Halten Sie Schneidwerkzeuge scharf und sauber.** Sorgfältig gepflegte Schneidwerkzeuge mit scharfen Schneidkanten verklemmen sich weniger und sind leichter zu führen.
- g) **Verwenden Sie Elektrowerkzeug, Zubehör, Einsatzwerkzeuge usw. entsprechend diesen Anweisungen.** Berücksichtigen Sie dabei die Arbeitsbedingungen und die auszuführende Tätigkeit. Der Gebrauch von Elektrowerkzeugen für andere als die vorgesehenen Anwendungen kann zu gefährlichen Situationen führen.
- h) **Halten Sie Griffe und Griffflächen trocken, sauber und frei von Öl und Fett.** Rutschige Griffe und Griffflächen erlauben keine sichere Bedienung und Kontrolle des Elektrowerkzeugs in unvorhergesehenen Situationen.

5) VERWENDUNG UND BEHANDLUNG DES AKKUWERKZEUGES

- a) **Laden Sie die Akkus nur mit Ladegeräten auf, die vom Hersteller empfohlen werden.** Durch ein Ladegerät, das für eine bestimmte Art von Akkus geeignet ist, besteht Brandgefahr, wenn es mit anderen Akkus verwendet wird.
- b) **Verwenden Sie nur die dafür vorgesehenen Akkus in den Elektrowerkzeugen.** Der Gebrauch von anderen Akkus kann zu Verletzungen und Brandgefahr führen.
- c) **Wenn der Akku nicht verwendet wird, halten Sie ihn von Gegenständen aus Metall wie z. B. Büroklammern, Münzen, Schlüsseln, Nägeln, Schrauben oder anderen kleinen Gegenständen aus Metall, die einen Kurzschluss zwischen den Anschlüssen verursachen können, fern.** Ein Kurzschluss zwischen den Akkukontakten kann Verbrennungen oder Feuer zur Folge haben.
- d) **Bei falscher Anwendung kann Flüssigkeit aus dem Akku austreten.** Vermeiden Sie den Kontakt damit. Bei zufälligem Kontakt mit Wasser abspülen. Wenn die Flüssigkeit in die Augen kommt, nehmen Sie zusätzlich ärztliche Hilfe in Anspruch. Austretende Akkuflüssigkeit kann zu Hautreizungen oder Verbrennungen führen.
- e) **Benutzen Sie keinen beschädigten oder veränderten Akku.** Beschädigte oder veränderte Akkus können sich unvorhersehbar verhalten und zu Feuer, Explosion oder Verletzungsgefahr führen.
- f) **Setzen Sie einen Akku keinem Feuer oder zu hohen Temperaturen aus.** Feuer oder Temperaturen über 130 °C/265 °F können eine Explosion hervorrufen.
- g) **Befolgen Sie alle Anweisungen zum Laden und laden Sie den Akku oder das Akkuwerkzeug niemals außerhalb des in der Betriebsanleitung angegebenen Temperaturbereichs.** Falsches Laden oder Laden außerhalb des zugelassenen Temperaturbereichs kann den Akku zerstören und die Brandgefahr erhöhen.

6) SERVICE

- a) **Lassen Sie Ihr Gerät nur von qualifiziertem Fachpersonal und nur mit Original-Ersatzteilen reparieren.** Damit wird sichergestellt, dass die Sicherheit des Geräts erhalten bleibt.
- b) **Warten Sie niemals beschädigte Akkus.** Sämtliche Wartung von Akkus sollte nur durch den Hersteller oder bevollmächtigte Kundendienststellen erfolgen.

TACKER-SICHERHEITSWARNUNGEN

- **Gehen Sie immer davon aus, dass sich im Werkzeug Befestigungsmittel befinden.** Ein unvorsichtiger Umgang mit dem Tacker kann zum unerwarteten Ausschießen von Befestigungsmitteln und damit zu Verletzungen führen.
- **Richten Sie das Werkzeug nicht auf sich selbst oder auf umstehende Personen.** Ein unerwartetes Auslösen führt zum Ausschießen von Befestigungsmitteln und damit zu Verletzungen.
- **Lösen Sie erst dann aus, wenn das Werkzeug fest gegen das Werkstück gedrückt ist.** Wenn das Werkzeug nicht mit dem Werkstück in Kontakt ist, kann die Klammer oder der Nagel von der Befestigungsstelle abprallen.
- **Wenn ein Befestigungsmittel im Werkzeug klemmt, trennen Sie das Gerät vom Netz oder vom Akku.** Anderenfalls kann beim Entfernen eines klemmenden Befestigungsmittels der Tacker versehentlich betätigt werden.

- **Seien Sie beim Entfernen eines klemmenden Befestigungsmittels vorsichtig.** Der Mechanismus kann vorgespannt sein und ein klemmendes Befestigungsmittel kann bei dem Versuch, es zu befreien, mit Kraft ausgestoßen werden.
- **Verwenden Sie diesen Tacker nicht für die Befestigung von Stromkabeln.** Er wurde nicht für die Installation von Stromkabeln konstruiert und kann die Isolierung von Stromkabeln beschädigen, was zu Stromschlägen oder Bränden führen kann.

TECHNISCHE DATEN

Akkutacker, Modellnummer	BTX530	BTX140
Klammertyp	Rapid 53	Rapid 140
Klammerlänge	6-14 mm	6-14 mm
Magazinkapazität Klammern, max.	112 St.	66 St.
Nageltyp, Länge	Rapid T8, 15-30 mm	
Magazinkapazität Nägel, max.	66 St.	
Werkzeugabmessungen (incl. Akku) H x B x L	195 x 60 x 220 mm	
Werkzeuggewicht	1,360 kg	
Akku		
Typ, Spannung	Li-Ion, 7,2 V	
Kapazität	1300 mAh	
Ladezeit	90 Minuten	
Auslösungen pro Akkuladung	≈ 1500 Auslösungen	
Geschwindigkeit, maximal dauerhaft	20 Schüsse/Min.	
Ladegerät		
Eingang	100-240 V, 50-60 Hz	
Ausgang	8,4V dc	
Leistung	1000 mA	

LÄRMEMISSION

A-bewerteter Schalldruckpegel $L_pA=79,3$ dB(A), Unsicherheit $K=3$ dB(A)
 A-bewerteter Schalleistungspegel $L_wA=90,3$ dB(A), Unsicherheit $K=3$ dB(A)
 Dem Anwender wird empfohlen, einen Gehörschutz zu tragen.

VIBRATION

Vibrationsgesamtwert $=1,214$ m/s², Unsicherheit $K=1,5$ m/s²
 Der angegebene Vibrationsgesamtwert wurde gemäß einer genormten Messmethode gemessen und kann zum Vergleich eines Werkzeugs mit einem anderen verwendet werden.
 Der angegebene Vibrationsgesamtwert kann auch als vorläufige Expositionsbewertung verwendet werden.



WARNUNG

Die Vibrationsemission während der tatsächlichen Verwendung des Werkzeuges kann je nach Einsatzart des Werkzeuges von dem angegebenen Gesamtwert abweichen.

Identifizieren Sie Sicherheitsmaßnahmen zum Schutz des Benutzers anhand einer Schätzung des Gefährdungsgrads unter den tatsächlichen Benutzungsbedingungen (unter Berücksichtigung aller Phasen des Arbeitszyklus, wie z. B. Ausschalt- und Leerlaufzeiten des Werkzeuges zusätzlich zur Betriebszeit).

ZUSAMMENBAU

BEZEICHNUNGEN (Bild 1, 2 und 10)

- | | | |
|-------------------------------|-----------------------------|--------------------------------|
| A : Krafteinstellknopf | B : Auslöser | C : Batteriepackung |
| D : Lösetasten | E : Auslösesicherung | F : Magazinverriegelung |
| G : Schiene | H : Magazin | I : Steckdose |
| J : Ladepunkt | K : Ladegerät | L : LED |

ENTFERNEN UND EINSETZEN DES AKKUS

1. Drücken Sie zur Entnahme der Batterie **C** auf die Entriegelungsknöpfe **D** und schieben Sie den Akku aus dem Gerät (Bild 3).
2. Zum Wiedereinlegen des Akkus schieben Sie sie in die entgegengesetzte Richtung, bis ein Klicken zu hören ist (Bild 4).

LADEN VON KLAMMERN/NÄGELN IN DAS MAGAZIN

1. Drücken Sie die Magazinverriegelung **F**, um das Magazin zu entriegeln.
2. Schieben Sie die Schiene **G** zurück.
3. Legen Sie Klammern/Nägel wie in Abb. 8 und 9 gezeigt ein.
4. Schließen Sie das Magazin, indem Sie die Schiene bis zum Einrasten nach vorne schieben.

ENTFERNEN VON KLAMMERN/NÄGELN AUS DEM MAGAZIN

1. Drücken Sie die Magazinverriegelung **F**, um das Magazin zu entriegeln.
2. Schieben Sie die Schiene **G** zurück.

3. Klammern/Nägeln aus dem Magazin herausnehmen.
4. Magazin schließen.

BETRIEB

Tackern/Nägeln

1. Sicherstellen, dass sich das Gerät in gutem, arbeitsfähigen Zustand befindet.
2. Drehen Sie den Knopf der Schlagkraftregelung **A**, um die Eindringtiefe der Klammern / Nägel an Ihre Bedürfnisse anzupassen (Abbildung 5).
3. Drücken Sie die Sicherheitsnase **B** fest gegen das Werkstück, bis sie einige Millimeter hineingedrückt wird (Abbildung 6).
4. Drücken Sie kurz auf den Auslöser **E** und lassen Sie ihn dann wieder los (Bild 7).
5. Der Auslösehebel **E** ist gesperrt, solange Sie die Sicherheitsnase nicht gegen das Werkstück drücken, um so eine versehentliche Betätigung zu verhindern.

BETRIEBSANLEITUNG DES LADEGERÄTES

Verwenden Sie das Gerät nicht während des Ladevorgangs.

1. Nehmen Sie den Akku aus dem Werkzeug.
2. Verbinden Sie den Ladepunkt **J** des Ladegeräts mit der Buchse **I** des Akkus (Abbildung 10).
3. Schließen Sie das Ladegerät **K** an die Netzsteckdose an. → während des Ladens leuchtet die LED **L** des Ladegeräts rot (Bild 10).
4. Wenn die Batterie vollständig geladen ist, leuchtet die LED **L** des Ladegeräts grün (Bild 10).
5. Ziehen Sie den Stecker **I** aus der Steckdose **J** und trennen Sie das Ladegerät **K** vom Stromnetz.
 - Nur bei Umgebungstemperaturen zwischen 10 °C und 50 °C laden.
 - Während des Aufladens kann das Ladegerät warm werden; dies ist normal.
 - Bewahren Sie den Akku nicht an Orten auf, an denen die Temperatur 50 °C überschreiten kann.

HINWEIS: Drücken Sie das Gerät fest an das Werkstück, um eine bessere Leistung zu erzielen.

HINWEIS: Falls eine Klammer oder ein Nagel festklemmt, lesen Sie das Kapitel Wartung. Das Gerät NICHT erneut betätigen, um den Stau zu beseitigen; dies kann das Werkzeug beschädigen.

HINWEIS: Während des Betriebs kann sich das Gerät warm anfühlen. Dies ist normal, wenn das Gerät jedoch beginnt, sich heiß anzufühlen, sollte es nicht weiter verwendet werden und abkühlen.

ANMERKUNG: Der Tacker darf nur bestimmungsgemäß verwendet werden.

Dieses Werkzeug ist für das Tackern von Holz, Pappe, Isolierstoffen, Geweben, Folien, Leder und ähnlichen Materialien auf Holz oder holzähnliche Materialien und nur für den privaten Gebrauch bestimmt.

HINWEIS: Verwenden Sie das Werkzeug nur mit dem dazugehörigen Akku.

WARTUNG

STANDARDWARTUNG

1. Alle Schrauben auf festen Sitz überprüfen und ggfs. nachziehen.
2. Alle Belüftungsöffnungen von Staub und Schmutz freihalten.
3. Entfernen Sie vor der Reinigung des Werkzeugs den Akku.
4. Gerät mit einem trockenen oder leicht angefeuchteten Tuch reinigen. NIEMALS Lösungsmittel verwenden.
5. Den Magazinschacht sauber halten.
6. KEINE Teile ölen oder fetten.
7. Der Tacker darf nicht beschädigt sein. Vor der Verwendung reparieren oder ersetzen.

ENTFERNEN FESTGEKLEMMTER KLAMMERN / NÄGEL

1. Drücken Sie die Magazinverriegelung **F**, um das Magazin zu entriegeln.
2. Schieben Sie die Schiene **G** zurück.
3. Die losen Klammern/Nägeln aus dem Magazin entfernen.
4. Entfernen Sie verklemmte Klammern/Nägeln mit einem spitzen Stift.

WARNUNG!!

Teile an diesem Tacker dürfen NICHT verändert und es dürfen keine Zusatzanbauten angebracht werden. Dies kann zu Personenschäden führen.

Wenn das Werkzeug/Ladegerät trotz der während der Herstellungs- und Prüfprozeduren ausgeübten Sorgfalt ausfällt, muss eine Reparatur durch einen Kundendienstservice für Rapid-Werkzeuge durchgeführt werden.

WARNUNG!!

Ändern Sie KEINE Teile an diesem Nagler oder bringen Sie keine speziellen Befestigungen an. Dies kann zu Verletzungen führen.

Wenn die Netzanschlussleitung dieses Gerätes beschädigt wird, muss sie durch eine besondere Anschlussleitung ersetzt werden, die vom Hersteller oder seinem Kundendienst erhältlich ist.



ENTSORGUNG

Separate Entsorgung. Elektrowerkzeuge nicht mit dem Hausmüll entsorgen! Gemäß der Europäischen Richtlinie 2012/19CE über Elektro- und Elektronik-Altgeräte.

- Wenn das Gerät ersetzt werden muss oder nicht länger verwendet wird, muss es zu Recyclingzwecken zu einem Entsorgungszentrum gebracht werden.
- Akku: Die Akkus können recycelt werden.

Der Akku kann viele Male aufgeladen werden. Wenn der Akku das Ende seiner Lebensdauer erreicht hat, lassen Sie ihn sich vollständig entleeren, nehmen Sie ihn aus dem Gerät und bringen Sie ihn zu einem lokalen Entsorgungszentrum.



Conforme aux directives européennes applicables

**CONSIGNES DE SECURITE GENERALES RELATIVES AUX OUTILS ELECTRIQUES****ATTENTION!! Lisez tous les avertissements de sécurité, les instructions, les illustrations et les spécifications fournis avec cet outil électrique.**

Le non respect de toutes les instructions énumérées ci-dessous peut provoquer un choc électrique, un incendie et / ou des blessures graves.

**Conservez tous les avertissements et instructions pour toute référence ultérieure.**

La notion d'«outil électrique» dans les avertissements se rapporte à des outils électriques raccordés au secteur (avec câble de raccordement) et à des outils électriques à batterie (sans câble de raccordement).

1) SECURITE DE LA ZONE DE TRAVAIL

- a) **Maintenez le lieu de travail propre et bien éclairé.** Les établis encombrés et les zones mal éclairées augmentent le risque d'accidents.
- b) **N'utilisez pas d'outils électriques dans un environnement présentant des risques d'explosion et où se trouvent des liquides, des gaz ou des poussières inflammables.** Les outils électroportatifs génèrent des étincelles risquant d'enflammer les poussières ou les vapeurs.
- c) **Tenez les enfants et autres personnes éloignés durant l'utilisation de l'outil électroportatif.** En cas d'inattention vous risquez de perdre le contrôle de l'appareil.

2 SECURITE ELECTRIQUE

- a) **La fiche secteur de l'outil électroportatif doit correspondre à la prise de courant.** Ne modifiez la fiche en aucun cas. N'utilisez pas d'adaptateurs avec des appareils électriques avec mise à la terre. Les fiches non modifiées et les prises de courant appropriées réduisent le risque de choc électrique.
- b) **Évitez le contact physique avec des surfaces mises à la terre telles que des tuyaux, des radiateurs, des fours et des réfrigérateurs.** Il y a un risque élevé de choc électrique si votre corps est relié à la terre.
- c) **N'exposez pas l'outil électroportatif à la pluie ou à l'humidité.** La pénétration d'eau dans un outil électroportatif augmente le risque de choc électrique.
- d) **Ne maltraitez pas le cordon.** N'utilisez jamais le cordon pour porter, tirer ou débrancher l'outil électroportatif. Maintenez le câble éloigné des sources de chaleur, des parties grasses, des bords tranchants ou des parties de l'appareil en mouvement. Un cordon endommagé ou torsadé augmente le risque de choc électrique.
- e) **Si vous utilisez l'outil électroportatif à l'extérieur, utilisez une rallonge autorisée homologuée pour les applications extérieures.** L'utilisation d'une rallonge électrique homologuée pour les applications extérieures réduit le risque d'un choc électrique.
- f) **Si l'usage d'un outil électrique dans un emplacement humide est inévitable, utilisez une alimentation protégée par un disjoncteur différentiel.** L'utilisation d'un disjoncteur différentiel

réduit le risque de choc électrique.

3) SECURITE DES PERSONNES

- a) **Restez vigilant, surveillez ce que vous faites et faites preuve de bon sens en utilisant l'outil électroportatif.** N'utilisez pas l'appareil lorsque vous êtes fatigué ou après avoir consommé de l'alcool, des drogues ou avoir pris des médicaments. Un moment d'inattention lors de l'utilisation de l'appareil peut entraîner de graves blessures.
- b) **Portez des équipements de protection. Portez toujours des lunettes de protection.** Le port d'équipements de protection personnels tels que masque anti-poussières, chaussures de sécurité antidérapantes, casque de protection ou protection auditive suivant le travail à effectuer, réduit le risque de blessures.»
- c) **Évitez tout démarrage intempestif.** Vérifiez que l'interrupteur est sur arrêt avant le branchement sur le secteur et/ou l'insertion de la batterie, la prise de l'appareil ou son transport. Le transport d'outils électroportatifs avec votre doigt sur le commutateur ou leur mise sous tension avec le commutateur sur marche est source d'accidents.
- d) **Retirez toute clé ou outil de réglage avant de mettre un outil électroportatif en marche.** Une clé ou un outil restant attaché à une pièce en rotation de l'outil électroportatif peut entraîner une blessure.
- e) **Ne surestimez pas vos capacités.** Veillez à garder toujours une position stable et équilibrée. Ceci vous permet de mieux contrôler l'appareil dans des situations inattendues.
- f) **Portez des vêtements appropriés.** Ne portez pas de vêtements amples ni de bijoux. Maintenez cheveux, vêtements et gants éloignés des parties de l'appareil en mouvement. Des vêtements amples, des bijoux ou des cheveux longs peuvent être happés par des pièces en mouvement.
- g) **Si des dispositifs servant à aspirer ou à recueillir les poussières doivent être utilisés, vérifiez que ceux-ci soient effectivement raccordés et qu'ils sont correctement utilisés.** L'utilisation des collecteurs de poussière réduit les dangers dus aux poussières.
- h) **Ne laissez pas la connaissance acquise par une utilisation fréquente d'outils vous permettent de faire preuve de complaisance et d'ignorer les principes de sécurité de l'outil.** Une action négligente peut causer des blessures graves en une fraction de seconde.

4) UTILISATION ET EMPLOI SOIGNEUX DE L'OUTIL ELECTROPORATIF

- a) **Ne surchargez pas l'appareil.** Utilisez l'outil électroportatif approprié au travail à effectuer. Avec l'outil électroportatif approprié, vous travaillerez mieux et avec plus de sécurité à la vitesse pour laquelle il est prévu.
- b) **N'utilisez pas un outil électroportatif dont l'interrupteur est défectueux.** Un outil électroportatif qui ne peut plus être commandé par son interrupteur est dangereux et doit être réparé.
- c) **Débranchez la fiche de la prise secteur et/ou la batterie de l'outil électroportatif avant d'effectuer des réglages, de changer les accessoires ou de le ranger.** Cette mesure de précaution réduit le risque de démarrage accidentel.
- d) **Rangez les outils électroportatifs non utilisés hors de portée des enfants et ne laissez pas des personnes ne connaissant pas les outils électroportatifs et ces instructions les utiliser.**

Les outils électroportatifs sont dangereux lorsqu'ils sont utilisés par des personnes non initiées.»

- e) **Prenez soin des outils électroportatifs et des accessoires.** Vérifiez que les parties en mouvement fonctionnent correctement et ne sont pas coincées, recherchez si des parties sont cassées et toute autre condition pouvant affecter le bon fonctionnement de l'outil électroportatif. Faites réparer un outil électroportatif endommagé avant de l'utiliser. De nombreux accidents sont dus à des outils électroportatifs mal entretenus.
- f) **Maintenez les outils de coupe aiguisés et propres.** Des outils soigneusement entretenus avec des bords tranchants bien aiguisés se coincent moins souvent et peuvent être guidés plus facilement.
- g) **Utilisez l'outil électroportatif, les accessoires, les forets, etc.** conformément à ces instructions en tenant compte des conditions de travail et du travail à effectuer. L'utilisation des outils électroportatifs à d'autres fins que celles prévues peut créer des situations dangereuses.
- h) **Gardez les poignées et les surfaces de préhension sèches, propres et exemptes d'huile et de graisse.** Les poignées et surfaces à saisir glissantes ne permettent pas une manipulation et un contrôle sûrs de l'outil dans des situations inattendues.

5) UTILISATION DES OUTILS FONCTIONNANT SUR BATTERIES ET PRECAUTIONS D'EMPLOI

- a) **Ne recharger qu'avec le chargeur spécifié par le fabricant.** Un chargeur qui est adapté à un type de bloc de batteries peut créer un risque de feu lorsqu'il est utilisé avec un autre type de bloc de batteries.
- b) **N'utiliser les outils qu'avec des blocs de batteries spécifiquement désignés.** L'utilisation de tout autre bloc de batteries peut créer un risque de blessure et de feu.
- c) **Lorsqu'un bloc batterie n'est pas utilisé, le maintenir à l'écart de tout autre objet métallique, par exemple trombone, pièces de monnaie, clés, clous, vis ou autres objets de petite taille qui peuvent donner lieu à une connexion d'une borne à l'autre.** Le court-circuitage des bornes d'une batterie entre elles peut causer des brûlures ou un feu.
- d) **Dans de mauvaises conditions, du liquide peut être éjecté de la batterie ; éviter tout contact.** En cas de contact accidentel, nettoyer à l'eau. Si le liquide entre en contact avec les yeux, rechercher en plus une aide médicale. Le liquide éjecté des batteries peut causer des irritations ou des brûlures.
- e) **Ne pas utiliser une batterie ou un outil qui est endommagé ou modifié.** Les batteries endommagées ou modifiées peuvent présenter un comportement imprévisible et provoquer un incendie, une explosion ou un risque de blessure.
- f) **N'exposez pas une batterie ou un outil au feu ou à une température excessive.** L'exposition au feu ou à une température supérieure à 130 ° C / 265 ° F peut provoquer une explosion.
- g) **Suivez toutes les instructions de chargement et ne chargez pas la batterie ou l'outil en dehors de la plage de température spécifiée dans les instructions.** Une charge incorrecte ou à des températures inférieures à la plage spécifiée peut endommager la batterie et augmenter le risque d'incendie.

6) REVISIONS

- a) **Ne faites réparer votre outil électroportatif que par un réparateur qualifié et seulement avec des pièces de rechange**

- d'origine.** Ceci permet d'assurer la sécurité de l'appareil.
- b) **Ne réparez jamais les batteries endommagées.** La maintenance des batteries ne doit être effectuée que par le fabricant ou des prestataires de services agréés.

CONSIGNES DE SÉCURITÉ POUR LES AGRAFEUSES

- **Supposez toujours que l'outil contient des fixations.** Une manipulation négligente de l'agrafeuse peut entraîner un tir imprévu de fixations et des blessures.
- **Ne dirigez pas l'outil vers vous-même ou toute autre personne.** Un déclenchement imprévu projettera la fixation et provoquera des blessures.
- **N'actionnez pas l'outil tant qu'il n'est pas positionné fermement contre la pièce à fixer.** Si l'outil n'est pas en contact avec la pièce à fixer, la fixation peut s'écarter de votre cible.
- **Débranchez l'outil de la source d'énergie quand la fixation se bloque dans l'outil.** Lors du retrait d'une fixation bloquée, l'agrafeuse peut être activée accidentellement si elle est branchée.
- **Soyez vigilant lors du retrait d'une fixation bloquée.** Le mécanisme peut être comprimé et la fixation peut être projetée avec force lors d'une tentative de libération d'un blocage.
- **N'utilisez pas cette agrafeuse pour fixer des câbles électriques.** Elle n'est pas conçue pour la pose des câbles électriques, peut endommager leur isolant et ainsi provoquer un choc électrique ou un risque d'incendie.

CARACTÉRISTIQUES TECHNIQUES

Agrafeuse a batterie, numéro de modèle	BTX530	BTX140
Type d'agrafes	Rapid 53	Rapid 140
Longueur agrafe	6-14 mm	6-14 mm
Capacité de chargement des agrafes, maximum	112 pcs	66 pcs
Type de pointes, longueur	Rapid T8, 15-30 mm	
Capacité de chargement des clous, maximum	66 pcs	
Dimensions de l'outil (batterie incluse) H x l x L	195 x 60 x 220 mm	
Poids de l'outil	1,360 kg	
Batterie		
Type, Voltage	Lithium ion, 7.2V	
Capacité	1300 mAh	
Durée de chargement	90 min	
Tirs par charge, maximum	env.1500 tirs	
Vitesse, maximum continu	20 coups/min	
Chargeur		
Tension d'entrée	100-240V, 50-60Hz	
Tension de sortie	8,4 V d.c.	
Puissance	1000 mA	

ÉMISSIONS SONORES

Niveau de pression acoustique pondéré $L_pA=79,3$ dB(A), incertitude $K=3$ dB(A)
 Niveau de puissance acoustique pondéré $L_wA=90,3$ dB(A), incertitude $K=3$ dB(A)
 Recommandation pour l'opérateur de porter une protection auditive.

VIBRATIONS

Valeur totale des vibrations= $1,214$ m/s², incertitude $K=1,5$ m/s²
 La valeur totale de vibrations indiquée a été mesurée conformément à une méthode de test standard et peut être utilisée pour comparer un outil à un autre.
 La valeur totale de vibrations indiquée peut également être utilisée lors d'une évaluation préliminaire de l'exposition.

ATTENTION

L'émission de vibrations pendant l'utilisation réelle de l'outil électroportatif peut être différente de la valeur totale indiquée en fonction de l'utilisation de l'outil.
 Il est nécessaire d'identifier les mesures de sécurité pour protéger l'opérateur qui sont basées sur une estimation de l'exposition dans les conditions réelles d'utilisation (en tenant compte de toutes les parties du cycle de fonctionnement tels que les temps lorsque l'outil est éteint et quand il est en marche au ralenti en plus du temps de déclenchement).



ÉCLATÉ

DÉFINITIONS (Figure 1, 2 et 10)

- | | | |
|---|--------------------------------|--|
| A : Bouton de réglage de puissance | B : Gâchette | C : Batterie d'alimentation |
| D : Boutons de déverrouillage | E : Palpeur de sécurité | F : Verrou du magasin |
| G : Rail | H : Magasin | I : Prise d'entrée alimentation |
| J : Fiche d'alimentation | K : Chargeur | L : Voyant LED |

RETRAIT ET CONNEXION DE LA BATTERIE

1. Pour retirer la batterie **C**, appuyez sur les boutons de déverrouillage **D** et faites glisser la batterie hors de l'appareil (Figure 3).
2. Pour connecter la batterie; faites-la glisser dans l'autre sens jusqu'à ce que la connexion s'enclenche (Figure 4).

CHARGEZ LES AGRAFES/POINTES DANS LE MAGASIN

1. Appuyez sur le loquet du magasin **F** pour le déverrouiller du corps de l'agrafeuse.
2. Glissez le rail **G** vers l'arrière.
3. Insérez la bande d'agrafes / clous comme indiqué dans les figures 8 et 9.
4. Refermez le magasin en repoussant le rail vers l'avant jusqu'au verrouillage.

RETIREZ LES AGRAFES/POINTES DU MAGASIN

1. Appuyez sur le loquet du magasin **F** pour le déverrouiller du corps de l'agrafeuse.
2. Glissez le rail **G** vers l'arrière.
3. Retirez les agrafes/pointes du magasin.
4. Fermez le magasin.

UTILISATION

AGRAFAGE/CLOUAGE

1. Vérifiez que l'outil est en bon état de fonctionnement.
2. Tournez le bouton de réglage de puissance **A** pour ajuster la profondeur de pénétration des agrafes ou des clous suivant le besoin (Figure 5).
3. Appuyez fermement le nez de l'agrafeuse **E** contre la pièce à travailler jusqu'à l'enfoncer de quelques millimètres (Figure 6).
4. Appuyez brièvement sur la gâchette **B** et relâchez-la, pour déclencher le tir (Figure 7).
5. La gâchette **B** est verrouillée tant que vous n'appuyez pas le nez de l'agrafeuse contre la pièce à travailler, ce qui permet d'éviter toute manipulation malencontreuse.

INSTRUCTIONS D'UTILISATION DU CHARGEUR

Ne pas utiliser l'appareil lors du processus de charge.

1. Séparez la batterie de l'appareil.
2. Insérez la fiche d'alimentation du chargeur **J** dans la prise d'entrée d'alimentation **I** de la batterie (Figure 10).
3. Connectez le chargeur **K** au secteur. → La LED **L** du chargeur devient rouge pendant la charge (Figure 10).
4. Lorsque la batterie est complètement chargée, le voyant **L** du chargeur devient vert (Figure 10).
5. Débranchez la fiche **I** de la prise **I** et débranchez le chargeur **K** du secteur.
 - Chargez uniquement à température ambiante, entre +10°C et +50°C.
 - Pendant le processus de charge, le chargeur chauffe un peu: ceci est normal.
 - N'entreposez pas la batterie dans des endroits où la température peut dépasser 50 ° C.

REMARQUE : Pour une meilleure performance, appuyez l'outil contre la pièce à fixer.

REMARQUE : Si une agrafe ou une pointe se bloque, lisez la section sur l'entretien. NE déclenchez PAS à nouveau l'outil pour dégager le blocage car ceci peut endommager l'outil.

REMARQUE : Pendant le fonctionnement, l'outil peut devenir tiède. Ceci est normal mais si l'outil devient chaud, cessez de l'utiliser et laissez-le refroidir.

REMARQUE : L'agrafeuse ne doit être utilisée que pour les buts prévus.

Cet outil est conçu pour l'agrafage ou le clouage de bois, de carton, matériau isolant, tissus, feuilles, cuir ou similaires sur un support en bois ou matériau similaire, pour des utilisations domestiques uniquement.

REMARQUE: Utilisez exclusivement le bloc batterie spécifiquement conçu pour et fourni avec l'appareil.

ENTRETIEN

ENTRETIEN STANDARD

1. Inspectez toutes les vis et serrez-les au besoin.
2. Maintenez tous les orifices exempts de poussière et de saleté.
3. Retirez la batterie lorsque vous nettoyez l'outil.
4. Nettoyez l'outil avec un chiffon sec ou humide. N'utilisez JAMAIS de solvant.
5. Maintenez la glissière du magasin propre.
6. NE mettez PAS d'huile ou de graisse sur les pièces.
7. Vérifiez que l'agrafeuse n'est pas endommagée. Remplacez-la ou réparez-la avant l'utilisation.

DÉGAGEMENT D'UNE AGRAFE/POINTE BLOQUÉE

1. Appuyez sur le loquet du magasin **F** pour le déverrouiller du corps de l'agrafeuse.
2. Glissez le rail **G** vers l'arrière.
3. Sortez les agrafes/pointes détachées du magasin.
4. Utilisez une épingle à bout pointu pour retirer l'agrafe / le clou coincé.

ATTENTION !!

NE modifiez PAS de pièces de cette agrafeuse et n'y attachez pas de dispositifs spéciaux. Ceci pourrait provoquer des blessures.



Si, malgré tous les soins apportés à la fabrication et au contrôle de l'appareil, celui-ci présente un défaut, la réparation ne doit être confiée qu'à un service après-vente Rapid.

ENVIRONNEMENT

Collecte séparée. Ne jetez pas les outils électroportatifs dans les déchets ménagers ! Conformément à la directive européenne 2012/19/EU sur les déchets des équipements électriques et électroniques.



- Lorsque l'outil doit être remplacé, ou s'il n'est plus utilisable, il doit être apporté à un centre de collecte séparée pour être recyclé.
- Batterie: les batteries sont recyclables.

Les batteries peuvent être rechargées de nombreuses fois. A la fin de leur durée de vie, déchargez complètement la batterie, séparez-la de l'appareil et apportez-la dans un centre de collecte local.

BTX530 / BTX140

Vertaling van de originele instructies



Voldoet aan de relevante EU-richtlijnen



VEILIG WERKEN MET ELEKTRISCH GEREEDSCHAP

WAARSCHUWING!! Lees alle veiligheidswaarschuwingen, instructies, illustraties en specificaties die bij dit elektrisch gereedschap zijn meegeleverd. Het niet naleven van alle onderstaande instructies kan een elektrische schok, brand en/of ernstig letsel tot gevolg hebben.



Bewaar alle waarschuwingen en voorschriften om ze later opnieuw te kunnen raadplegen.

Het begrip "elektrisch gereedschap" verwijst hier naar apparaten met netsnoer voor gebruik via het elektriciteitsnet en naar apparaten zonder netsnoer voor gebruik met een accu.

1) VEILIGE WERKOMGEVING

- Werk in een schone, goed verlichte ruimte.** Een rommelige of donkere werkplek vergroot de kans op ongelukken.
- Gebruik het gereedschap niet in een omgeving met explosiegevaar, bijvoorbeeld in de nabijheid van brandbare vloeistoffen, gassen of stof.** Elektrische gereedschappen veroorzaken vonken, die het stof of de dampen tot ontploffing kunnen brengen.
- Houd kinderen en omstanders uit de buurt tijdens het bedienen van elektrisch gereedschap.** Wanneer u wordt afgeleid, kunt u de controle over het gereedschap verliezen.

2) ELEKTRISCHE VEILIGHEID

- De stekker van het gereedschap moet geschikt zijn voor de wandcontactdoos.** Probeer nooit een niet-geschikte stekker passend te maken. Gebruik nooit adapterstekkers met geaarde gereedschappen. Niet-geschikte stekkers en wandcontactdozen vergroten de kans op een elektrische schok.
- Voorkom dat uw lichaam in aanraking komt met geaarde oppervlakken zoals leidingen, radiatoren, fornuizen en koelkasten.** Er is een verhoogd risico op elektrische schokken wanneer uw lichaam geaard is.
- Houd het gereedschap uit de buurt van regen en vocht.** Als er water in het gereedschap binnendringt, kunnen er elektrische schokken ontstaan.
- Gebruik het netsnoer alleen waarvoor dit bedoeld is.** Gebruik het netsnoer nooit om het gereedschap te dragen of op te hangen of om de stekker uit de wandcontactdoos te trekken. Houd het netsnoer uit de buurt van hete oppervlakken, olie, scherpe randen

en bewegende onderdelen. Beschadigde of in de war geraakte netsnoeren vergroten het risico van een elektrische schok.

- e) **Wanneer u buitenshuis met elektrisch gereedschap werkt, moet u altijd een verlengsnoer gebruiken dat is goedgekeurd voor buitengebruik.** Een verlengsnoer voor buitengebruik beperkt het risico van elektrische schokken.
- f) **Als het onvermijdelijk is dat u het elektrische gereedschap in een vochtige omgeving gebruikt, moet u gebruikmaken van een aardlekschakelaar.** Een aardlekschakelaar beperkt de kans op elektrische schokken.

3) PERSOONLIJKE VEILIGHEID

- a) **Wees alert, blijf met uw aandacht bij wat u doet en ga met gezond verstand te werk bij het gebruik van elektrisch gereedschap.** Gebruik het gereedschap niet wanneer u moebent of onder invloed staat van medicijnen, alcohol of drugs. Een moment van onoplettendheid kan tot ernstig letsel leiden.
- b) **Gebruik persoonlijke beschermingsmiddelen.** Draag altijd een veiligheidsbril. Het risico van persoonlijk letsel wordt aanzienlijk beperkt wanneer u persoonlijke beschermingsmiddelen draagt zoals een stofmasker, slipvaste werkschoenen, een veiligheidshelm of gehoorbescherming, afhankelijk van de aard en het gebruik van het elektrische gereedschap.
- c) **Voorkom dat het gereedschap onbedoeld wordt ingeschakeld.** Zorg dat de schakelaar uitstaat voordat u het gereedschap vastpakt of op het elektriciteitsnet of de accu aansluit. Wanneer u tijdens het dragen van het elektrische gereedschap uw vinger op de schakelaar houdt of wanneer u het gereedschap op de stroomvoorziening aansluit terwijl het ingeschakeld is, bestaat er een grote kans op ongevallen.
- d) **Verwijder stelsleutels en dergelijke voordat u het gereedschap inschakelt.** Een stelsleutel die vastzit in een draaiend onderdeel van het gereedschap kan tot letsel leiden.
- e) **Reik niet te ver voorover of opzij.** Zorg ervoor dat u stevig en goed gebalanceerd op de grond staat. Hierdoor kunt u het gereedschap in onverwachte situaties beter onder controle houden.
- f) **Draag geschikte werkkleding.** Vermijd loshangende kleding of sieraden. Houd uw haar, kleding en handschoenen uit de buurt van bewegende delen. Loshangende kleding, sieraden en lang haar kunnen verstrikt raken tussen bewegende delen.
- g) **Wanneer er voorzieningen voor het afzuigen en opvangen van stof beschikbaar zijn, moeten deze worden aangesloten en gebruikt.** Geschikte afzuiging beperkt de risico's van stof.
- h) **Laat de bekendheid door veelvuldig gebruik van het elektrisch gereedschap u niet toelaten onachtzaam te worden en de veiligheidsbeginselen te negeren.** Een onachtzame actie kan binnen een fractie van een seconde ernstige verwondingen veroorzaken.

4) GEBRUIK EN ONDERHOUD VAN ELEKTRISCH GEREEDSCHAP

- a) **Zorg dat het gereedschap niet overbelast wordt.** Gebruik het juiste gereedschap voor uw werkzaamheden. Met het passende elektrische gereedschap werkt u beter en veiliger binnen het bereik waarvoor het gereedschap is ontworpen.
- b) **Gebruik nooit elektrisch gereedschap waarvan de schakelaar defect is.** Elektrische gereedschappen die niet via de schakelaar kunnen worden in- of uitgeschakeld, zijn gevaarlijk en moeten

direct worden gerepareerd.

- c) **Neem de stekker uit de wandcontactdoos of ontkoppel de accu van het gereedschap voordat u wijzigingen aanbrengt, hulpstukken verwisselt of het gereedschap opbergt.** Hierdoor verkleint u de kans dat het gereedschap per ongeluk wordt gestart.
- d) **Bewaar elektrische gereedschappen buiten bereik van kinderen.** Laat het gereedschap niet gebruiken door personen die er niet mee vertrouwd zijn of die deze aanwijzingen niet hebben gelezen. Elektrische gereedschappen kunnen gevaarlijk zijn bij gebruik door onervaren personen.
- e) **Onderhoud van elektrisch gereedschap en accessoires.** Controleer op slecht aansluitende of vastlopende bewegende delen, breuken en andere omstandigheden die de werking van het gereedschap kunnen beïnvloeden. Laat beschadigde onderdelen repareren voordat u het gereedschap gebruikt. Veel ongevallen worden veroorzaakt door slecht onderhouden gereedschap.
- f) **Houd snijgereedschap altijd scherp en schoon.** Goed onderhouden snijgereedschap met scherpe snijbladen lopen minder snel vast en zijn gemakkelijker te sturen.
- g) **Gebruik elektrische gereedschappen, accessoires, bitjes en andere toebehoren altijd volgens deze aanwijzingen, rekening houdend met de omstandigheden en de werkzaamheden.** Het gebruik van elektrische gereedschappen voor andere dan de bedoelde toepassingen kan tot gevaarlijke situaties leiden.
- h) **Houd de handgrepen en de behuizing droog, schoon en vrij van olie en vet.** Gladde handgrepen en behuizing zorgen niet voor een veilige gebruik en controle van het gereedschap bij onverwachte situaties.

5) GEBUIK EN ONDERHOUD VAN ACCUGEREEDSCHAP

- a) **Laad accu's alleen op in de door de fabrikant geadviseerde opladers.** Opladers die voor een bepaald type accu geschikt zijn kunnen voor risico of brandgevaar zorgen wanneer deze gebruikt worden met andere accu's.
- b) **Gebruik alleen de daarvoor bedoelde accu's in de elektrische gereedschappen.** Het gebruik van andere accu's kan tot verwondingen en brandgevaar leiden.
- c) **Wanneer de accu niet wordt gebruikt, moet u deze uit de buurt van andere metalen voorwerpen houden, zoals paperclips, munten, nagels, schroeven of andere kleine metalen voorwerpen die de verbinding tussen de twee polen kunnen maken.** Kortsluiting tussen de accucontacten kan brandwonden of brand tot gevolg hebben.
- d) **Bij verkeerd gebruik kan vloeistof uit de accu lekken.** Voorkom contact daarmee. Spoel bij onvoorzien contact met water af. Wanneer de vloeistof in de ogen komt, dient u bovendien een arts te raadplegen. Gelekte accuvloeistof kan tot huidirritaties en verbrandingen leiden.
- e) **Gebruik geen accu of gereedschap dat is beschadigd of aangepast.** Beschadigde of gemodificeerde accu's kunnen onvoorspelbaar gedrag vertonen wat resulteert in brand, ontploffing of letselgevaar.
- f) **Stel een accu of gereedschap niet bloot aan vuur of extreme temperaturen.** Blootstelling aan vuur of temperaturen boven de 130 °C / 265 °F kan een explosie veroorzaken.
- g) **Volg alle oplaadinstructies en laad de accu of het gereedschap niet op buiten het temperatuurbereik dat is aangegeven in de instructies.** Onjuist opladen of temperaturen

buiten het opgegeven bereik kunnen de batterij beschadigen en het risico op brand verhogen.

6) REPARATIE

- a) **Laat het gereedschap uitsluitend door bevoegd personeel repareren met originele vervangende onderdelen.** Hierdoor blijft de veiligheid van het gereedschap gewaarborgd.
- b) **Gebruik nooit beschadigde accu's.** Service aan accu's mag alleen worden uitgevoerd door de fabrikant of geautoriseerde servicepartners.

VEILIGHEIDSWAARSCHUWINGEN VOOR TACKERS

- **Ga er altijd vanuit dat het gereedschap geladen is.** Bij onachtzaam gebruik van de tacker kan het gereedschap onverwacht afgaan en kunnen de nagels of nieten persoonlijk letsel veroorzaken.
- **Richt het gereedschap nooit op uzelf of op anderen.** Wanneer er onverwacht nagels of nieten worden afgeschoten, kan er ernstig letsel ontstaan.
- **Haal de trekker alleen over wanneer het gereedschap stevig tegen het werkstuk is aangedrukt.** Als het gereedschap geen goed contact maakt met het werkstuk, wordt de nagel of de niet mogelijk in een onverwachte richting weggeschoten.
- **Als de tacker vastloopt, ontkoppel deze dan eerst van de stroomvoorziening.** Hierdoor weet u zeker dat de tacker niet per ongeluk kan worden geactiveerd terwijl u probeert de vastgelopen nagel of niet te verwijderen.
- **Wees voorzichtig wanneer u vastzittende nagels of nieten verwijdert.** Het mechanisme is mogelijk samengedrukt, zodat de nagel of de niet plotseling met kracht kan vrijkomen.
- **Gebruik deze tacker nooit om elektriciteitskabels te bevestigen.** Deze tacker is niet ontworpen voor het installeren van elektriciteitskabels en kan het isolatiemateriaal van de kabel beschadigen, waardoor elektrische schokken en brandgevaar kunnen ontstaan.

TECHNISCHE GEGEVENS

Accutacker, type	BTX530	BTX140
Type nieten	Rapid 53	Rapid 140
Lengte nieten	6-14 mm	6-14 mm
Magazijn capaciteit, max. # nieten	112 stuks	66 stuks
Nagel type, lengte	Rapid nr. 8, 15-30 mm	
Magazijn capaciteit, max. # nagels	66 stuks	
Afmetingen (incl. accu) H x B x L	195 x 60 x 220 mm	
Gewicht	1,360 kg	
Accu		
Type, Voltage	Li-Ion, 7,2V	
Capaciteit	1300 mAh	
Oplaadtijd	90 min	
Max. aantal schoten	≈ 1.500 schoten	
Snelheid	20 per minuut	
Oplader		
Ingangsspanning	100-240V, 50-60Hz	
Uitgangsspanning	8,4V cc	
Vermogen	1000 mA	

GELUIDSPRODUCTIE

Geluidsdruk niveau (A-weging) $L_pA=79,3$ dB(A), onzekerheid $K = 3$ dB(A)

Geluidsvermogen (A-weging) $L_wA=90,3$ dB(A), onzekerheid $K = 3$ dB(A)

Aanbeveling voor de gebruiker is om gehoorbescherming te dragen.

TRILLING

Totale trillingswaarde= $1,214$ m/s², onzekerheid $K=1,5$ m/s²

De gespecificeerde totale trillingswaarde is gemeten volgens een standaard testmethode en is geschikt voor het onderling vergelijken van gereedschappen.

De totale trillingswaarde kan tevens worden gebruikt voor een eerste inschatting van de blootstelling.

WAARSCHUWING

De in de praktijk vrijkomende trillingen kunnen afwijken van de specificatiewaarde, afhankelijk van de manier waarop het gereedschap wordt gebruikt.

Het is nodig om veiligheidsmaatregelen te identificeren om de gebruiker te beschermen die zijn gebaseerd op een schatting van de blootstelling in de feitelijke gebruiksomstandigheden (waarbij rekening wordt gehouden met alle delen van de werkcyclus, zoals de tijden waarop het gereedschap is uitgeschakeld en wanneer het inactief is in aanvulling op de daadwerkelijke gebruiksduur).



SYSTEEM

VERKLARING ONDERDELEN (Figuur 1, 2 en 10)

A : Krachtinstelling	B : Trekker	C : Accu
D : Ontgrendeling	E : Beveiliging	F : Magazijnvergrendeling
G : Rail	H : Magazijn	I : Connector
J : Oplaadstekker	K : Oplader	L : LED

VERWIJDEREN EN PLAATSEN VAN DE ACCU

1. Om de accu **C** te verwijderen, drukt u op de ontgrendeling **D** en vervolgens schuift u de accu uit het apparaat (Figuur 3).
2. Om de accu aan te sluiten, schuift u de accu in de tegenovergestelde richting totdat deze vastklikt (Figuur 4).

NIETEN / NAGELS IN HET MAGAZIJN LADEN

1. Druk op de magazijnvergrendeling **F** om het magazijn te ontgrendelen.
2. Schuif de rail **G** naar achteren.
3. Plaats de strip nieten / nagels zoals getoond in afbeelding 8 en 9.
4. Sluit het magazijn door de rail naar voren te schuiven tot deze vastklikt.

NIETEN / NAGELS UIT HET MAGAZIJN VERWIJDEREN

1. Druk op de magazijnvergrendeling **F** om het magazijn te ontgrendelen.
2. Schuif de rail **G** naar achteren.
3. Verwijder de nieten of nagels uit het magazijn.
4. Sluit het magazijn.

BEDIENING

NIETEN/NAGELEN

1. Controleer of het gereedschap in goede staat verkeert.
2. Draai aan de knop voor krachtinstelling **A** om de gewenste inslagdiepte van de nieten/nagels in te stellen
3. Druk de beveiliging **E** stevig tegen het werkstuk aan, zodat deze enkele millimeters wordt ingedrukt (Figuur 6).
4. Druk de trekker **B** kort in en laat deze meteen weer los (Figuur 7).
5. De trekker **B** is vergrendeld zolang u de beveiliging niet tegen het werkstuk aandrukt. Hierdoor kan de trekker niet per ongeluk worden overgehaald.

GEBRUIK VAN DE OPLADER

Gebruik het gereedschap niet tijdens het opladen.

1. Neem de accu uit het gereedschap.
2. Sluit de oplaadstekker **J** van de oplader aan op de connector **I** van de accu (Figuur 10)."
3. Sluit de oplader **K** aan op het elektriciteitsnet. → Tijdens het opladen brandt het LED-lampje **L** van de oplader in de kleur rood (Figuur 10).
4. Wanneer de accu volledig is opgeladen, brandt het LED-lampje **L** van de oplader in de kleur groen (Figuur 10).
5. Neem de stekker **J** uit de connector **I** en ontkoppel de oplader **K** van het elektriciteitsnet.
 - Alleen opladen bij een omgevingstemperatuur tussen 10°C en 50°C.
 - Tijdens het oplaadproces kan de oplader warm worden: dit is normaal.
 - Bewaar de accu niet op plekken waar de temperatuur hoger kan zijn dan 50 °C.

OPMERKING: Druk de tacker stevig tegen het werkstuk aan voor het beste resultaat.

OPMERKING: Als er een niet of een nagel is vastgelopen, volgt u de aanwijzingen in het gedeelte 'ONDERHOUD'. Probeer NIET het probleem op te lossen door de trekker nogmaals over te halen, omdat de tacker hierdoor beschadigd kan raken.

OPMERKING: Het gereedschap wordt soms warm tijdens het gebruik. Dit is normaal. Als het gereedschap erg heet wordt, wacht u enige tijd totdat het is afgekoeld.

OPMERKING: De tacker mag uitsluitend voor goedgekeurde toepassingen worden gebruikt.

Dit gereedschap is bedoeld om hout, karton, isolatiemateriaal, stof, folie, leder en soortgelijke materialen te bevestigen op houten oppervlakken of soortgelijke materialen, enkel voor privégebruik.

OPMERKING: Gebruik het gereedschap uitsluitend met de accu die ervoor bedoeld is.

ONDERHOUD

NORMAAL ONDERHOUD

1. Controleer alle schroeven en draai deze zo nodig vast.
2. Houd alle ventilatieopeningen vrij van stof en vuil.
3. Neem de accu uit het gereedschap voor u het reinigt.
4. Reinig het gereedschap met een droge of licht bevochtigde doek. Gebruik NOOIT oplosmiddelen.
5. Houd het magazijn schoon.

6. Gebruik GEEN olie of andere smeermiddelen.
7. Controleer regelmatig of de tacker niet beschadigd is. Beschadigd gereedschap moet vóór gebruik worden gerepareerd of vervangen.

VASTGELOPEN NIET / NAGEL VERWIJDEREN

1. Druk op de magazijnvergrendeling **F** om het magazijn te ontgrendelen.
2. Schuif de rail **G** naar achteren.
3. Verwijder eerst de losse nieten of nagels uit het magazijn.
4. Gebruik een voorwerp met een spitse punt om de vastgelopen nieten of nagels te verwijderen

WAARSCHUWING!!

Voer GEEN aanpassingen uit aan de tacker of onderdelen hiervan en koppel GEEN aparte hulpstukken aan. Als u dit wel doet, ontstaat het risico op persoonlijk letsel.

Als het gereedschap/lader defect is ondanks de goede zorgen tijdens het fabricage- en testproces, moet de reparatie worden uitgevoerd door een Rapid servicecentrum.



MILIEU

Apart inzamelen. Elektrisch gereedschap nooit bij het huishoudelijk afval aanbieden! Volgens de Europese Richtlijn 2012/19/EU betreffende afgedankte elektrische en elektronische apparatuur moet elektrisch gereedschap aan het einde van de levensduur bij een speciaal inzamelingspunt worden ingeleverd voor recycling.



▪ Accu: de accu's zijn geschikt voor recycling.

De accu kan vele malen worden opgeladen. Aan het eind van de levensduur dient u de accu volledig te ontladen, uit het gereedschap te verwijderen en in te leveren bij een inzamelingspunt voor recycling.

BTX530 / BTX140

Traduzione delle istruzioni originali



Rispetta le direttive UE



NORME DI SICUREZZA GENERALI PER L'USO DEGLI UTENSILI ELETTRICI

ATTENZIONE!! Leggere tutte le avvertenze di sicurezza, le istruzioni, le illustrazioni e le specifiche fornite con questo utensile elettrico. La mancata osservanza di tutte le istruzioni elencate di seguito può provocare scosse elettriche, incendi e / o lesioni gravi.



Conservare tutte le avvertenze e le istruzioni per riferimento futuro.

Nelle avvertenze, per "utensile elettrico" si intende sia un utensile elettrico con cavo che a batteria (senza cavo).

1) SICUREZZA DELL'AREA DI LAVORO

- a) **Mantenere sempre l'area di lavoro pulita e ben illuminata.** Banchi da lavoro disordinati e scarsa illuminazione aumentano il rischio di incidente.
- b) **Non utilizzare gli utensili elettrici in atmosfere esplosive, ad es. in presenza di liquidi, gas o polveri infiammabili.** Gli utensili elettrici comportano la formazione di scintille che possono innescare polveri o fumi.
- c) **Mantenere sempre eventuali passanti, bambini e visitatori a distanza di sicurezza dall'utensile elettrico.** Eventuali distrazioni possono comportare la perdita di controllo dell'utensile.

2) SICUREZZA ELETTRICA

- a) **La tensione di rete deve corrispondere a quella indicata sull'utensile.** La spina non deve essere modificata in alcun modo. Non utilizzare eventuali adattatori con utensili elettrici collegati a terra. L'uso di spine e prese corrette riduce il rischio di scossa elettrica.
- b) **Evitare il contatto del corpo con superfici messe a terra come tubi, radiatori, fornelli e refrigeratori.** Il collegamento a terra del

corpo aumenta il rischio di scossa elettrica.

- c) **Non esporre gli utensili elettrici a pioggia o umidità.** Eventuali infiltrazioni d'acqua nell'utensile elettrico aumentano il rischio di scossa elettrica.
- d) **Evitare di danneggiare il cavo.** Non utilizzare mai il cavo per trasportare, collegare o scollegare l'utensile elettrico. Mantenere lontano il cavo da fonti di calore, olio, bordi appuntiti o parti mobili. Cavi danneggiati o schiacciati aumentano il rischio di scossa elettrica.
- e) **In caso di utilizzo di un utensile elettrico in esterni, utilizzare una prolunga adeguata.** L'uso di una prolunga adeguata per esterni riduce il rischio di scossa elettrica.
- f) **In caso di utilizzo di un utensile elettrico in un luogo umido, deve essere collegato ad una presa con salvavita.** L'uso di un salvavita riduce il rischio di scossa elettrica.

3) SICUREZZA PERSONALE

- a) **Prestare sempre la massima attenzione ed utilizzare l'utensile elettrico con cautela.** Non utilizzare un utensile elettrico in caso di stanchezza o sotto l'effetto di farmaci, sostanze alcoliche o stupefacenti. La minima disattenzione può comportare il rischio di gravi lesioni personali.
- b) **Utilizzare dispositivi di protezione individuale adeguati.** Utilizzare sempre una protezione per gli occhi. In determinate condizioni, dispositivi di protezione quali mascherina antipolvere, scarpe antiscivolo, elmetto o cuffie protettive possono ridurre il rischio di lesioni personali.
- c) **Prevenire l'avviamento accidentale dell'utensile.** Accertarsi che l'interruttore sia in posizione Off prima di collegarlo alla rete elettrica e/o al gruppo batteria, oppure di afferrare o trasportare l'utensile. Non trasportare mai l'utensile tenendo un dito sull'interruttore oppure con l'interruttore in posizione On.
- d) **Rimuovere eventuali chiavi di regolazione prima di avviare l'utensile elettrico.** Un'eventuale chiave lasciata collegata ad una parte rotante dell'utensile elettrico può provocare gravi lesioni personali.
- e) **Non sporgersi.** Mantenere sempre un buon equilibrio durante l'uso dell'utensile elettrico. In tal modo, sarà più facile controllarlo in caso di imprevisto.
- f) **Indossare indumenti adeguati. Non indossare indumenti larghi o gioielli.** Mantenere sempre lontani capelli, indumenti e guanti dalle parti mobili. Indumenti larghi, gioielli o capelli lunghi potrebbero rimanere impigliati nelle parti mobili.
- g) **In caso di utilizzo di dispositivi per la raccolta e l'abbattimento della polvere, accertarsi che siano collegati e utilizzati correttamente.** L'uso di dispositivi per l'abbattimento della polvere può ridurre il rischio di malattie per inalazione.
- h) **Non lasciare che la familiarità acquisita con l'uso frequente degli strumenti consenta di abbassare l'attenzione e di ignorare i principi di sicurezza.** Un'azione negligente può causare lesioni gravi in una frazione di secondo.

4) USO E CURA DELL'UTENSILE ELETTRICO

- a) **Non forzare l'utensile elettrico.** Utilizzare un utensile corretto per la propria applicazione. Utilizzando un utensile elettrico della potenza corretta, il lavoro potrà essere svolto in modo più facile e veloce.
- b) **Non utilizzare l'utensile elettrico in caso di malfunzionamento dell'interruttore.** Un utensile elettrico che non può essere

- controllato con l'interruttore è pericoloso e deve essere riparato.
- c) **Scollegare la spina dalla presa elettrica e/o rimuovere il gruppo batteria dall'utensile elettrico prima di eventuali regolazioni, sostituzioni di accessori oppure prima di riporre l'utensile elettrico.** Queste precauzioni riducono il rischio di avviamento accidentale dell'utensile elettrico.
 - d) **Tenere gli utensili elettrici fuori dalla portata dei bambini e non consentirne l'uso a persone inesperte.** Nelle mani di utenti inesperti, gli utensili elettrici sono molto pericolosi.
 - e) **Manutenzione degli utensili elettrici e degli accessori.** Verificare che le parti mobili non siano piegate o disallineate e che non vi siano parti danneggiate o altre condizioni che possono comprometterne il corretto funzionamento. In caso di danni, l'utensile elettrico deve essere riparato prima dell'uso. Molti incidenti sono dovuti alla manutenzione inadeguata degli utensili elettrici.
 - f) **Mantenere gli utensili di taglio affilati e puliti.** Utensili di taglio in buone condizioni e affilati si piegano meno facilmente e sono più facili da controllare.
 - g) **Utilizzare l'utensile elettrico, gli accessori, gli inserti ecc. nel rispetto delle presenti istruzioni e tenendo conto sia delle condizioni di lavoro che del lavoro da svolgere.** L'utilizzo dell'utensile elettrico per operazioni diverse da quelle previste può comportare situazioni di pericolo.
 - h) **Mantenere le impugnature e le superfici di presa asciutte, pulite e prive di olio e grasso.** Impugnature e superfici di presa scivolose non consentono una gestione e un controllo sicuro dello strumento in situazioni impreviste.
- 5) TRATTAMENTO ED UTILIZZO APPROPRIATO DI UTENSILI DOTATI DI BATTERIE RICARICABILI**
- a) **Caricare la batteria ricaricabile solo ed esclusivamente nei dispositivi di carica consigliati dal produttore.** Per un dispositivo di carica previsto per un determinato tipo di batteria sussiste pericolo di incendio se viene utilizzato con un tipo diverso di batteria ricaricabile.
 - b) **Avere cura d'impiegare negli elettro-utensili solo ed esclusivamente batterie ricaricabili esplicitamente previste.** L'uso di batterie ricaricabili di tipo diverso potrà dare insorgenza a lesioni e comportare il rischio d'incendi.
 - c) **Quando non viene utilizzato, conservare il gruppo batteria lontano da oggetti metallici come graffette, monete, chiavi, chiodi, viti o altri piccoli oggetti metallici che potrebbero comportare il contatto tra i terminali.** Un eventuale corto circuito tra i contatti dell'accumulatore potrà dare origine a bruciature o ad incendi.
 - d) **In caso d'impiego errato si provoca il pericolo di fuoriuscita di liquido dalla batteria ricaricabile.** Evitarne assolutamente il contatto. In caso di contatto accidentale, sciacquare accuratamente con acqua. Rivolgersi immediatamente al medico, qualora il liquido dovesse entrare in contatto con gli occhi. Il liquido fuoriuscito dalla batteria ricaricabile potrà causare irritazioni cutanee o ustioni.
 - e) **Non utilizzare batterie o utensili danneggiati o modificati.** Le batterie danneggiate o modificate possono presentare un comportamento imprevedibile e innescare incendi, provocare esplosioni o lesioni.
 - f) **Non esporre il pacco batteria o l'attrezzo a fiamme o a temperature eccessive.** L'esposizione al fuoco o a una

temperatura superiore a 130 ° C / 265 ° F possono causare esplosioni.

- g) **Seguire tutte le istruzioni di ricarica e non caricare il pacco batteria o lo strumento al di fuori dell'intervallo di temperatura specificato nelle istruzioni.** Caricare in modo improprio o a temperature al di fuori dell'intervallo specificato può danneggiare la batteria e aumentare il rischio di incendio.

6) ASSISTENZA

- a) **L'utensile elettrico deve essere riparato da un tecnico qualificato utilizzando esclusivamente ricambi originali.** In questo modo, è possibile mantenere il livello di sicurezza originale dell'utensile elettrico.
- b) **Non utilizzare mai batterie danneggiate.** Il ricambio dei pacchi batteria deve essere eseguito solo dal produttore o dai fornitori di servizi autorizzati.

AVVERTENZE DI SICUREZZA PER LA FISSATRICE

- **Considerare sempre l'utensile come se fosse carico.** La movimentazione incauta della fissatrice può comportare lo sparo accidentale dei chiodi con il rischio di gravi lesioni personali.
- **Non puntare l'utensile verso se stessi o gli altri.** Lo sparo accidentale dei chiodi può provocare gravi lesioni personali.
- **Non azionare l'utensile finché non è appoggiato saldamente contro il pezzo da fissare.** In caso contrario, il chiodo potrebbe rimbalzare sul pezzo.
- **Scollegare l'utensile dalla presa elettrica prima di rimuovere eventuali chiodi inceppati.** Durante la rimozione di un chiodo inceppato, la fissatrice potrebbe attivarsi accidentalmente se è ancora collegata.
- **Prestare la massima attenzione durante la rimozione di eventuali chiodi inceppati.** Il meccanismo potrebbe essere sotto pressione e il chiodo potrebbe essere sparato accidentalmente.
- **Non utilizzare l'utensile per il fissaggio di cavi elettrici.** Non è progettato per tale applicazione e potrebbe danneggiare la guaina isolante del cavo con conseguente rischio di scossa elettrica o incendio.

DATI TECNICI

Fissatrice a batteria, modello	BTX530	BTX140
Tipo di graffetta	Rapid 53	Rapid 140
Lunghezza delle graffe	6-14 mm	6-14 mm
Capacità massima del caricatore, graffe	112 pz	66 pz
Tipo di chiodino, lunghezza	Rapid T8, 15-30 mm	
Capacità massima del caricatore, chiodi	66 pz	
Dimensioni dell'utensile (batteria inclusa) A x L x P	195 x 60 x 220 mm	
Peso dell'utensile	1,360 kg	
Batteria		
Tipo, Voltaggio	Ioni di litio, 7,2 V	
Capacità	1300 mAh	
Tempo di ricarica	90 min.	
Colpi per carica, max	≈ 1500 colpi	
Velocità	20 colpi/min.	
Caricabatterie		
Ingresso	100-240 V, 50-60 Hz	
Uscita	8,4V cc	
Potenza	1000 mA	

LIVELLO ACUSTICO

Livello di pressione sonora ponderato su A: LpA=79,3 dB(A), incertezza K = 3 dB(A)

Livello di potenza acustica ponderato su A: $L_{wA}=90,3$ dB(A), incertezza $K = 3$ dB(A).
Si raccomanda che l'operatore indossi protezione per l'udito.

VIBRAZIONI

Valore totale di vibrazioni= $1,214$ m/s², incertezza $K=1,5$ m/s²

Il valore totale di vibrazioni dichiarato è stato misurato secondo un metodo standard e può essere utilizzato per confrontare un utensile con un altro.

Il valore totale di vibrazioni dichiarato può essere utilizzato anche per una valutazione preliminare del livello di esposizione.

AVVERTENZA

Le vibrazioni effettive durante l'uso dell'utensile elettrico possono differire rispetto al valore totale dichiarato in base alle condizioni in cui viene utilizzato l'utensile.

È necessario identificare le misure di sicurezza per proteggere l'operatore che si basano su una stima dell'esposizione nelle effettive condizioni d'uso (tenendo conto di tutte le parti del ciclo operativo come i tempi in cui lo strumento è spento e quando è inattivo oltre al tempo di attivazione).



ASSEMBLAGGIO

DEFINIZIONI (Figura 1, 2 e 10)

- | | | |
|---|-------------------------------|---------------------------------|
| A : Pomello di regolazione della potenza | B : Grilletto | C : Gruppo batterie |
| D : Pulsanti di sbloccaggio | E : Fermo di sicurezza | F : Fermo del caricatore |
| G : Corsore | H : Caricatore | I : Presa |
| J : Punto di ricarica | K : Caricabatterie | L : LED |

RIMOZIONE E COLLEGAMENTO DELLA BATTERIA

1. Per rimuovere la batteria **C**, premere i pulsanti di sbloccaggio **D** ed estrarre la batteria dall'utensile (Figura 3).
2. Per collegare la batteria, inserirla in direzione opposta finché non scatta in posizione (Figura 4).

CARICAMENTO DI GRAFFETTE/CHIODINI NEL CARICATORE

1. Premere il fermo del caricatore **F** per sbloccarlo dal corpo.
2. Tirare indietro il cursore **G**.
3. Inserire i punti metallici / banda di chiodi come mostrato nelle figure 8 e 9.
4. Chiudere il caricatore premendo il cursore in avanti finché non scatta in posizione.

RIMOZIONE DI GRAFFETTE/CHIODINI DAL CARICATORE

1. Premere il fermo del caricatore **F** per sbloccarlo dal corpo.
2. Tirare indietro il cursore **G**.
3. Rimuovere le graffette oppure i chiodini dal caricatore.
4. Chiudere il caricatore.

FUNZIONAMENTO

AGGRAFFAGGIO/CHIODATURA

1. Accertarsi che l'utensile sia in buone condizioni.
2. Ruotare la manopola di regolazione della potenza **A** per regolare la profondità di penetrazione dei punti metallici (Figura 5).
3. Premere saldamente il fermo di sicurezza **E** contro il pezzo in modo che sia premuto di alcuni millimetri (Figura 6).
4. Premere brevemente il grilletto **B** e rilasciarlo (Figura 7).
5. Per prevenire lo scatto accidentale, il grilletto **B** rimane bloccato finché non si preme nuovamente il fermo di sicurezza contro il pezzo.

ISTRUZIONI PER L'USO DEL CARICABATTERIE

Non utilizzare l'utensile durante la ricarica.

1. Rimuovere la batteria dall'utensile.
 2. Collegare il connettore di ricarica **I** del caricabatterie alla presa **I** della batteria (Figura 10).
 3. Collegare il caricabatterie **K** all'alimentazione di rete. → Il LED **L** sul caricabatterie si accende in rosso durante la ricarica (Figura 10).
 4. Quando la batteria è completamente carica, il LED **L** sul caricabatterie diventa verde (Figura 10).
 5. Scollegare la spina **J** dalla presa **I**, quindi il caricabatterie **K** dall'alimentazione di rete.
- Le batterie devono essere ricaricate esclusivamente a temperature ambiente comprese tra 10°C e 50°C.
 - Durante la ricarica, il caricabatterie diventa caldo: è normale.
 - Non conservare la batteria in luoghi in cui la temperatura può superare 50 °C.

NOTA: Per ottenere le massime prestazioni, premere l'utensile contro il pezzo da fissare.

NOTA: In caso di inceppamento di graffette o chiodini, consultare la sezione Manutenzione.

NON premere nuovamente il grilletto, altrimenti si può danneggiare l'utensile.

NOTA: Durante l'uso, l'utensile può risultare caldo. Questo è normale, ma se l'utensile si riscalda eccessivamente occorre lasciarlo raffreddare.

NOTA: La fissatrice deve essere utilizzata esclusivamente per gli scopi previsti.

Questo utensile è progettato per il fissaggio di legno, cartone, materiale isolante, tessuto, pellicole plastiche, pelle e materiali simili su superfici in legno o materiali simili, esclusivamente per uso privato.

NOTA: L'utensile deve essere utilizzato esclusivamente con il gruppo batteria specificato.

MANUTENZIONE

MANUTENZIONE ORDINARIA

1. Controllare tutte le viti e riserrarle all'occorrenza.
2. Verificare che tutte le aperture di ventilazione siano pulite e prive di polvere.
3. Rimuovere il gruppo batteria prima di pulire l'utensile.
4. Pulire l'utensile con un panno asciutto o umido. Non utilizzare MAI solventi.

5. Mantener pulita la canalina del cargador.
6. **NO** oliare o engrasar ningún componente.
7. Verificar que la fijadora no se dañe. Debe ser reparada o sustituida antes del uso.

RIMOZIONE DI UNA GRAFFETTA / DI UN CHIODINO INCEPPATI

1. Premere il fermo del caricatore **F** per sbloccarlo dal corpo.
2. Tirare indietro il cursore **C**.
3. Estrarre le graffette oppure i chiodini rimasti dal caricatore.
4. Utilizzare un cacciavite sottile per rimuovere la graffetta o il chiodo inceppato.

AVVERTENZA!

NON modificare la fissatrice o aggiungere utensili speciali per evitare il rischio di lesioni personali.

In caso di guasto all'utensile/al caricabatterie, nonostante i controlli accurati in sede di produzione e collaudo, la riparazione deve essere affidata a un centro di assistenza autorizzato Rapid.



AMBIENTE

Raccolta differenziata. Gli utensili elettrici non devono essere smaltiti come rifiuti domestici! Devono essere smaltiti ai sensi della Direttiva Europea 2012/19/EU sui rifiuti di apparecchiature elettriche ed elettroniche.

- Al termine della propria vita utile, l'utensile deve essere conferito presso un centro di smaltimento autorizzato per il riciclaggio.
- Batteria: le batterie sono riciclabili.

La batteria può essere ricaricata numerose volte. Al termine della propria vita utile, la batteria deve essere scaricata completamente, rimossa dall'utensile e conferita presso un centro di raccolta differenziata per il riciclaggio.



BTX530 / BTX140

Traducción de las instrucciones originales



Cumple con las directivas pertinentes de la UE.



ADVERTENCIAS DE SEGURIDAD PARA HERRAMIENTAS ELÉCTRICAS

¡¡ADVERTENCIA!! Lea todas las advertencias de seguridad, instrucciones, ilustraciones y especificaciones provistas con esta herramienta eléctrica. El incumplimiento de las instrucciones que se enumeran a continuación puede provocar descargas eléctricas, incendios y/o lesiones graves.



Guarde este manual para futuras consultas.



El término "herramienta eléctrica" empleado en las siguientes advertencias de peligro se refiere a herramientas eléctricas conectadas a la red eléctrica (con cable) o accionadas por baterías (sin cable).

1) SEGURIDAD EN EL ÁREA DE TRABAJO

- a) **Mantenga el área de trabajo limpia y bien iluminada.** Los espacios desordenados o mal iluminados son potencialmente peligrosos.
- b) **No utilice herramientas eléctricas en entornos con peligro de explosión, ni en presencia de líquidos, gases o partículas inflamables.** Las herramientas eléctricas producen chispas que pueden llegar a inflamar los materiales en polvo o vapores.
- c) **Mientras usa una herramienta eléctrica, mantenga a espectadores, niños y otras personas alejados de su área de trabajo.** Las distracciones podrían hacerle perder el control de la herramienta.

2) SEGURIDAD ELÉCTRICA

- a) **El enchufe de la herramienta debe corresponder a la toma de corriente utilizada.** Jamás modifique el enchufe en forma alguna. Nunca use adaptadores de enchufe en herramientas con toma de tierra. Los enchufes no alterados y sus tomas de corriente

- respectivas reducen el riesgo de descargas eléctricas.
- b) **Evite tocar con el cuerpo las superficies conectadas a tierra, como tuberías, radiadores, cocinas y frigoríficos.** Hay mayor riesgo de descargas eléctricas si su cuerpo está conectado a tierra.
 - c) **No exponga las herramientas eléctricas a la lluvia ni a la humedad.** Si penetra agua en la herramienta aumentará el riesgo de recibir descargas eléctricas.
 - d) **No maltrate el cable.** Nunca use el cable de alimentación para desenchufar, transportar o tirar de una herramienta eléctrica. Mantenga el cable lejos de fuentes de calor, aceite, bordes cortantes y piezas en movimiento. Los cables dañados o enredados aumentan el riesgo de descargas eléctricas.
 - e) **Cuando trabaje con herramientas eléctricas a la intemperie, únicamente utilice cables alargadores homologados para uso en exteriores.** La utilización cables de prolongación para uso a la intemperie reduce el riesgo de descargas eléctricas.
 - f) **Si fuera inevitable el uso de una herramienta eléctrica en lugares húmedos, utilice suministro eléctrico con protección frente a fallos en la toma de tierra.** El uso de un disyuntor por corriente diferencial reduce el riesgo de descargas eléctricas.

3) SEGURIDAD PERSONAL

- a) **Mientras usa herramientas eléctricas, ponga atención en lo que hace y use el sentido común.** No utilice ninguna herramienta eléctrica si siente cansancio o está bajo los efectos del alcohol, drogas o medicamentos. Un instante de distracción mientras se usa una herramienta eléctrica puede provocar lesiones personales graves.
- b) **Use equipo de protección personal. Lleve siempre gafas de protección.** El riesgo de lesiones se reduce considerablemente si se utiliza equipo de protección adecuado como mascarillas antipolvo, zapatos de seguridad con suela antideslizante, casco y protectores auditivos.
- c) **Evite una puesta en marcha fortuita.** Cerciorarse de que el interruptor está en posición de apagado antes de conectar a la red eléctrica o a las baterías, agarrar o transportar la herramienta. Si transporta una herramienta eléctrica con el dedo en el interruptor de encendido o de activación podría producirse un accidente.
- d) **Retire las llaves de ajuste antes de conectar la herramienta eléctrica.** Una llave de ajuste unida a una pieza giratoria de la herramienta eléctrica podría producir lesiones graves.
- e) **No se estire demasiado.** Trabaje sobre una base firme y mantenga el equilibrio en todo momento. Ello le permitirá controlar mejor la herramienta eléctrica en situaciones inesperadas.
- f) **Use vestimenta adecuada. No utilice ropa suelta ni joyas.** Mantenga el pelo, la ropa y los guantes alejados de las piezas móviles. La ropa suelta, las joyas y el pelo largo se podrían enganchar en las piezas en movimiento.
- g) **Siempre que sea posible utilizar equipos de aspiración y extracción de polvo, asegúrese de instalarlos y usarlos correctamente.** El empleo de esos equipos puede reducir los riesgos derivados del polvo.
- h) **No permita que la familiaridad obtenida por el uso frecuente de las herramientas le permita sentirse complaciente e ignorar los principios de seguridad de las herramientas.** Una acción descuidada puede causar lesiones graves en una fracción de segundo.

4) USO Y CUIDADO DE HERRAMIENTAS ELÉCTRICAS

- a) **No sobrecargue las herramientas.** Use la herramienta adecuada para cada aplicación. Con la herramienta correcta podrá trabajar mejor y con mayor seguridad conforme a las especificaciones de diseño.
- b) **No utilice herramientas eléctricas si su interruptor está estropeado.** Cualquier herramienta eléctrica que no se pueda encender/apagar con su interruptor será peligrosa y deberá repararse.
- c) **Desconecte el enchufe de alimentación eléctrica o la batería de la herramienta eléctrica antes de realizar ajustes, cambiar los accesorios o guardarla.** Estas medidas preventivas reducen el riesgo de activar accidentalmente la herramienta.
- d) **Las herramientas que no se utilizan deben guardarse fuera del alcance de los niños y de las personas no familiarizadas con su uso y con estas instrucciones.** Las herramientas pueden ser peligrosas en manos no cualificadas.
- e) **Mantenimiento de herramientas eléctricas y accesorios.** Compruebe si presentan defectos de alineación o unión de las piezas móviles, rotura de piezas o cualquier otro problema que pueda afectar al funcionamiento de la herramienta. Si estuviera dañada, repárela antes de utilizarla. Muchos accidentes se deben a herramientas con un mantenimiento deficiente.
- f) **Mantenga limpias y afiladas las herramientas de corte.** Los útiles mantenidos correctamente y con bordes afilados se pueden guiar y controlar mejor.
- g) **Utilice las herramientas eléctricas, los accesorios, los útiles, etc. de acuerdo con estas instrucciones y tenga en cuenta las condiciones de trabajo y la tarea a realizar.** Puede resultar peligroso el uso de herramientas eléctricas para trabajos diferentes a los previstos.
- h) **Mantenga los mangos y las superficies de agarre secos, limpios y sin aceite ni grasa.** Los mangos y las superficies de agarre resbaladizos no permiten un manejo y control seguros de la herramienta en situaciones inesperadas.

5) USO Y CUIDADO DE LA HERRAMIENTA DE BATERIA

- a) **Recargue la batería solo con el cargador especificado por el fabricante.** Existe un riesgo de incendio al intentar cargar baterías con un cargador distinto al provisto.
- b) **Use solamente la batería específicamente designada para cada herramienta eléctrica.** El uso de otro tipo de batería puede provocar daños e incluso un incendio.
- c) **Cuando no use la batería, manténgala lejos de objetos metálicos como clips para papel, monedas, llaves, clavos, tornillos u otros objetos metálicos pequeños que puedan conectar los terminales.** El cortocircuito de los terminales de la batería puede causar quemaduras o un incendio.
- d) **La utilización inadecuada de la batería puede provocar fugas de líquido.** Evite el contacto con él. En caso de un contacto accidental, enjuagar el área afectada con abundante agua. En caso de un contacto con los ojos recurra además inmediatamente a un médico. El líquido de la batería puede irritar la piel o producir quemaduras.
- e) **No utilice una batería o herramienta dañada o modificada.** Las baterías dañadas o modificadas pueden tener un comportamiento impredecible que puede acabar en un incendio, explosión o riesgo de lesiones.

- f) **No exponga la batería o la herramienta al fuego o a una temperatura excesiva.** La exposición al fuego o temperatura superior a 130 °C / 265° F puede causar una explosión.
- g) **Siga todas las instrucciones de carga y no cargue la batería o la herramienta fuera del rango de temperatura especificado en las instrucciones.** La carga incorrecta o a temperaturas fuera del rango especificado puede dañar la batería y aumentar el riesgo de incendio.

6) SERVICIO TÉCNICO

- a) **Haga reparar su herramienta eléctrica únicamente por profesionales cualificados y con piezas de repuesto originales.** Solo así se mantendrá la seguridad de la herramienta eléctrica.
- b) **Nunca repare las baterías dañadas.** La reparación de baterías debe ser realizada por el fabricante o los proveedores de servicios autorizados.

ADVERTENCIAS DE SEGURIDAD PARA LA CLAVADORA

- **Asuma siempre que la herramienta puede contener grapas/clavos.** Una manipulación negligente de la clavadora puede dar como resultado el disparo inesperado de grapas/clavos y producir lesiones físicas.
- **No apunte con la herramienta hacia usted u otras personas cercanas.** Un disparo inesperado descargaría grapas/clavos pudiendo provocar lesiones.
- **No accione la herramienta a menos que la haya colocado firmemente sobre la pieza o el material de trabajo.** Si la herramienta no está en contacto con la pieza de trabajo, la grapa o el clavo podrían desviarse del objetivo.
- **Si un elemento de fijación se atasca en la herramienta, desconéctela de la alimentación eléctrica.** Mientras se retiran las fijaciones atascadas, si la clavadora está enchufada se podría activar sin querer.
- **Tenga mucho cuidado al quitar una fijación (grapa/clavillo) atascada.** El mecanismo podría estar comprimido y el medio de fijación podría salir disparado violentamente al intentar liberar el atasco.
- **No use esta clavadora para sujetar cables eléctricos.** No está diseñada para la instalación de cables eléctricos: podría dañar el aislamiento de los cables y provocar descargas eléctricas o riesgo de incendio.

ESPECIFICACIONES TÉCNICAS

Clavadora con batería, número del modelo	BTX530	BTX140
Tipo de grapa	Rapid 53	Rapid 140
Largo de grapa	6-14 mm	6-14 mm
Capacidad máxima de grapas en el cargador	112 unids.	66 unids.
Tipo y longitud de clavos	Rapid T8, 15-30 mm	
Capacidad máxima de clavos en el cargador	66 unids.	
Dimensiones de la herramienta (Incl. Batería) Al. x An. x L.	195 x 60 x 220 mm	
Peso de la herramienta	1,360 kg	
Batería		
Tipo, Potencia	Li-Ion, 7,2 V	
Capacidad:	1300 mAh	
Tiempo de carga	90 min	
Disparos por carga, máx.	≈ 1500	
Velocidad	20 disparos/min.	
Cargador		

Entrada	100-240 V, 50-60 Hz
Salida	8,4 V cc
Potencia	1000 mA

EMISIÓN DE RUIDO

Nivel de presión sonora A-ponderada $L_pA=79,3$ dB(A), incertidumbre $K=3$ dB(A)

Nivel de potencia sonora A-ponderada $L_wA=90,3$ dB(A), incertidumbre $K=3$ dB(A)

Se recomienda que el operador use protección auditiva.

VIBRACIÓN

Valor de total de vibración $=1,214$ m/s², incertidumbre $K=1,5$ m/s²

El valor de total de vibración declarado ha sido medido conforme a un método de prueba estándar y se puede usar para comparar una herramienta con otra.

El valor de total de vibración declarado también se puede usar en una evaluación preliminar de la exposición.

ADVERTENCIA

La emisión de vibraciones durante el uso real de la herramienta eléctrica podría diferir del valor total declarado en función del modo de uso de la herramienta.

Es necesario identificar medidas de seguridad para proteger al operador que se basan en una estimación de la exposición en las condiciones reales de uso (teniendo en cuenta todas las partes del ciclo de operación, como los tiempos en que la herramienta está apagada y cuando está inactiva además del tiempo de disparo).



MONTAJE

DEFINICIONES (Figura 1, 2 y 10)

- | | | |
|--|--|--------------------------------|
| A : Botón de ajuste de potencia | B : Disparador | C : Batería |
| D : Botones de desbloqueo | E : Nariz de seguridad por contacto | F : Seguro del cargador |
| G : Riel | H : Cargador | I : Enchufe |
| J : Punto de recarga | K : Cargador | L : LED |

EXTRACCIÓN Y CONEXIÓN DE LA BATERÍA.

- Para extraer la batería **C**, presione los botones de desbloqueo **D** y deslice la batería hacia fuera de la herramienta (Figura 3).
- Para conectar la batería, deslicela en dirección contraria hasta oír un clic al encajar (Figura 4).

CARGA DE GRAPAS/CLAVOS EN EL CARGADOR

- Presione el seguro del cargador **F** para desbloquearlo del cuerpo de clavadora.
- Deslice el riel **G** hacia atrás.
- Inserte la tira de grapas / clavos como se muestra en la figura 8 y 9.
- Para cerrar el cargador, presione el riel hacia adelante hasta que cierre.

RETIRADA DE GRAPAS/CLAVOS DEL CARGADOR

- Presione el seguro del cargador **F** para desbloquearlo del cuerpo de clavadora.
- Deslice el riel **G** hacia atrás.
- Retire las grapas/clavos del cargador.
- Cierre el cargador.

FUNCIONAMIENTO

GRAPADO / CLAVADO

- Asegúrese de que la herramienta esté en buenas condiciones de funcionamiento.
- Gire el botón de ajuste de potencia **A** para ajustar la profundidad de penetración de las grapas/ clavillos según necesite (Figura 5).
- Presione firmemente el yunque de seguridad **E** contra la pieza de trabajo hasta que la empuje unos milímetros (Figura 6).
- Presione brevemente el gatillo **B** y luego suelte nuevamente (Figura 7).
- El gatillo **B** permanece bloqueado mientras no presione la nariz de seguridad contra la pieza de trabajo, lo que evita la operación accidental.

INSTRUCCIONES DE USO DEL CARGADOR

No utilice la herramienta durante el proceso de carga.

- Apague la herramienta antes de quitar la batería.
- Enchufe la clavija **J** del cargador a la toma de la batería **I** (Figura 10).
- Conecte el cargador **K** a la toma de corriente. → el piloto LED del cargador **L** se iluminará en rojo durante el proceso de carga (Figura 10).
- Una vez que la batería esté completamente cargada, la luz LED del cargador **L** cambiará a verde (Figura 10).
- Desconecte la clavija **J** de la toma de la batería **I** y desenchufe el cargador **K** de la toma de corriente.
 - Cargue la batería solo a temperatura ambiente entre 10 y 50 °C.
 - Durante el proceso de carga, el cargador podría calentarse: eso es normal.
 - No almacene la batería en lugares donde la temperatura pueda exceder los 50 °C.

NOTA: para mayor rendimiento, presione la herramienta contra la pieza de trabajo.

NOTA: en caso de atasco de grapas o clavos, lea la sección de mantenimiento. NO dispare de nuevo la herramienta para desobstruir el atasco, ya que podría dañar la herramienta.

NOTA: mientras se usa, la herramienta podría calentarse. Ello es normal, pero si la herramienta se calienta demasiado deberá suspender su uso hasta que se enfríe.

NOTA: la clavadora solo se deberá usar para los fines previstos.

Esta herramienta está diseñada para clavar madera, cartón, material aislante, tejido, láminas, piel y

materiales similares sobre superficies de madera o materiales similares a la madera, solo para uso personal.

NOTA: Use la herramienta únicamente con su batería específica.

MANTENIMIENTO

MANTENIMIENTO ESTÁNDAR

1. Inspeccione todos los tornillos y apriételes si fuera necesario.
2. Mantenga todas las aberturas libres de polvo y suciedad
3. Antes de limpiar la herramienta, retire la batería.
4. Limpie la herramienta con un paño seco o húmedo. NUNCA use disolventes.
5. Mantenga limpio el canal del cargador.
6. NO ponga aceite ni grasa en ninguna pieza.
7. Asegúrese de que la clavadora no está dañada. Antes de usarla, repárela o reemplácela.

LIBERAR GRAPAS O CLAVOS ATASCADOS

1. Presione el seguro del cargador **F** para desbloquearlo del cuerpo de clavadora.
2. Deslice el riel **G** hacia atrás.
3. Saque del cargador las grapas o los clavos sueltos.
4. Use un pasador con un extremo afilado para quitar la grapa / clavo atascado.

¡ATENCIÓN!

NO altere las piezas de la clavadora ni le añada accesorios especiales. Ello podría ocasionar lesiones personales.

Si la herramienta o el cargador fallan a pesar de su cuidadosa fabricación y sus procedimientos de comprobación, la reparación deberá realizarse en un centro de servicio posventa para herramientas Rapid.



MEDIO AMBIENTE

Recogida selectiva. ¡Nunca elimine herramientas eléctricas junto a los residuos del hogar! Elimínelas conforme a la Normativa Europea 2012/19/EU relativa a residuos de equipos eléctricos o electrónicos.

- Cuando deba reemplazar una herramienta o si ya no sirve, deberá llevarla a un centro de recogida selectiva para su reciclaje.
- Batería: le batterie sono riciclabili.



La batteria può essere ricaricata numerose volte. Al termine della propria vita utile, la batteria deve essere scaricata completamente, rimossa dall'utensile e conferita presso un centro di raccolta differenziata per il riciclaggio.

BTX530 / BTX140

Tradução das instruções originais



Conforme as diretivas relevantes da EU.



AVISOS GERAIS DE SEGURANÇA PARA FERRAMENTAS ELÉCTRICAS

AVISO!! Leia todos os avisos de segurança, instruções, ilustrações e especificações fornecidas com esta ferramenta eléctrica. O não cumprimento de todas as instruções abaixo descritas pode resultar em choque eléctrico, incêndio e/ou ferimentos graves.



Guarde todas os avisos e instruções para referência futura.

O termo “ferramenta eléctrica” nos avisos refere-se a uma ferramenta com funcionamento eléctrico (com fio) ou com funcionamento por bateria (sem fios).

1) SEGURANÇA NA ÁREA DE TRABALHO

- a) **Mantenha a área de trabalho limpa e bem iluminada.** As áreas com confusão ou escuras convidam aos acidentes.
- b) **Não funcione com ferramentas eléctricas em atmosferas explosivas, como na presença de pó, gases ou líquidos inflamáveis.** As ferramentas eléctricas criam faíscas que podem inflamar pó e fumos.
- c) **Mantenha os curiosos, crianças e visitantes afastados quando estiver a funcionar com a ferramenta eléctrica.** As distrações

ções podem fazer com que perda o controlo.

2) SEGURANÇA ELÉCTRICA

- a) **As fichas das ferramentas eléctricas devem corresponder à tomada.** Nunca efectue alterações na ficha. Não utilize fichas adaptadoras com ferramentas eléctricas com ligação à terra. As fichas não modificadas e as tomadas adequadas reduzirão o risco de choque eléctrico.
- b) **Evite o contacto do corpo com superfícies ligadas à terra como tubagens, radiadores fogões e frigoríficos.** Existe um risco aumentado de choque eléctrico se o corpo estiver ligado à terra.
- c) **Não exponha as ferramentas eléctricas à chuva ou a condições de humidade excessiva.** A entrada de água numa ferramenta eléctrica aumentará o risco de choque eléctrico.
- d) **Não utilize o cabo eléctrico incorrectamente.** Nunca utilize o cabo para transportar, puxar ou desligar a ferramenta eléctrica. Mantenha o cabo afastado de fontes de calor, combustíveis, arestas vivas ou peças móveis. Os cabos danificados ou enrolados de forma emaranhada aumentam o risco de choque eléctrico.
- e) **Quando utilizar a ferramenta eléctrica no exterior, utilize um cabo de extensão adequado a esse tipo de utilização.** A utilização de um cabo adequado para exteriores reduz o risco de choque eléctrico.
- f) **Se a utilização de uma ferramenta eléctrica num local húmido for inevitável, use uma extensão protegida com interruptor de circuito em caso de falha de terra.** A utilização de um interruptor de circuito em caso de falha de terra reduz o risco de choque eléctrico.

3) SEGURANÇA PESSOAL

- a) Mantenha-se alerta, observe o que está a fazer e utilize bom senso quando trabalhar com um ferramenta eléctrica. Não utilize uma ferramenta eléctrica quando estiver cansado ou sob o efeito de drogas, álcool ou medicamentos. Um momento de desatenção durante a utilização de ferramentas eléctricas pode resultar em lesões pessoais graves.
- b) **Utilize equipamento de protecção pessoal. Utilize sempre protecções nos olhos.** O equipamento de protecção como máscaras contra o pó, sapatos de segurança que não escorreguem, capacete ou protecção auditiva utilizado correctamente reduzirá as lesões pessoais.
- c) **Evite os arranques não intencionais.** Certifique-se de que o interruptor está na posição de desligado antes de ligar a ferramenta à fonte de alimentação, agarrá-la ou transportá-la. Transportar ferramentas eléctricas com o dedo no interruptor ou ligar à corrente ferramentas com o interruptor ligado convida aos acidentes.
- d) **Retire qualquer chave ou ferramenta de ajuste antes de ligar a ferramenta eléctrica.** Uma ferramenta ou chave deixada num componente rotativo da ferramenta eléctrica pode resultar em lesões pessoais.
- e) **Não ignore as regras.** Mantenha sempre uma posição de equilíbrio. Isto permite um melhor controlo da ferramenta eléctrica em situações inesperadas.
- f) **Utilize roupa adequada.** Não utilize roupa solta nem qualquer peça de joalharia. Mantenha o cabelo, roupas e luvas afastados de componentes móveis. Roupas soltas, jóias ou cabelos compridos podem ficar presos nos componentes móveis.
- g) **Se forem fornecidos dispositivos para ligação a extracção de**

- pó e depósitos de recolha, certifique-se de que estão ligados e são devidamente utilizados. A utilização de recipientes de recolha de pó pode reduzir os perigos relacionados com o pó.
- h) **Não permita que a familiaridade adquirida com a utilização frequente da ferramenta eléctrica o torne complacente e leve a ignorar os princípios de segurança.** Uma utilização descuidada pode causar ferimentos graves numa fração de segundo.

4) UTILIZAÇÃO E CUIDADOS A TER COM A FERRAMENTA ELÉCTRICA

- a) **Não force a ferramenta eléctrica. Utilize a ferramenta eléctrica correcta para a aplicação a que destina.** Uma ferramenta eléctrica correcta fará um trabalho melhor e mais seguro à velocidade para que foi concebida.
- b) **Não utilize a ferramenta eléctrica se o interruptor não ligar e desligar.** Qualquer ferramenta eléctrica que não possa ser controlada com o interruptor é perigosa e deve ser reparada.
- c) **Desligue a ficha da ferramenta eléctrica da fonte de alimentação e/ou da bateria antes de efectuar ajustes, mudar acessórios ou guardar a ferramenta.** Estas medidas de segurança preventivas reduzem o risco de arranque accidental da ferramenta eléctrica.
- d) **Coloque as ferramentas eléctricas não desligadas fora do alcance das crianças, e não permita que pessoas não familiarizadas com a ferramenta eléctrica a utilize.** As ferramentas eléctricas são perigosas nas mãos de pessoas sem experiência adequada.
- e) **Manter ferramentas eléctricas e acessórios. Verifique se existe desalinhamento ou dobras nas peças móveis, quebra de peças ou qualquer outra condição que possa afectar o funcionamento da ferramenta.** Se estiver danificada, envie-a para reparação antes de a utilizar. Muitos acidentes são causados pela manutenção inadequada das ferramentas eléctricas.
- f) **Mantenha as ferramentas de corte afiadas e limpas.** As ferramentas de corte com arestas afiadas que tenham uma manutenção adequada bloqueiam mais raramente e são fáceis de controlar.
- g) **Utilize a ferramenta eléctrica, acessórios e pontas da ferramenta de acordo com estas instruções, tendo em conta as condições de trabalho e as tarefas a serem executadas.** A utilização da ferramenta eléctrica para tarefas diferentes daquelas para que foi concebida pode resultar em situações perigosas.
- h) **Mantenha a superfície dos cabos e pegos secas, limpas e livres de óleos.** Cabos e pegos ecorregadias não permitem um manuseamento e controlo seguro da ferramenta em situações inesperadas.

5) MANUSEIO E UTILIZAÇÃO CUIDADOSOS DE FERRAMENTAS COM ACUMULADORES

- a) **Só carregar acumuladores em carregadores recomendados pelo fabricante.** Há perigo de incêndio se um carregador apropriado para um certo tipo de acumuladores for utilizado para carregar acumuladores de outros tipos.
- b) **Só utilizar ferramentas eléctricas com os acumuladores apropriados.** A utilização de outros acumuladores pode levar a lesões e perigo de incêndio.
- c) **Quando as baterias não estão a ser utilizadas, mantenha-as afastadas de outros objectos metálicos como grampos para papel, moedas, chaves, pregos, parafusos, ou outros objectos**

metálicos pequenos que possam fazer uma ligação dos terminais. Um curto-circuito entre os contactos do acumulador pode ter como consequência queimaduras ou fogo.

- d) **No caso de aplicação incorrecta pode vaziar líquido do acumulador.** Evitar o contacto. No caso de um contacto accidental, deverá enxaguar com água. Se o líquido entrar em contacto com os olhos, também deverá consultar um médico. Líquido que escapa do acumulador pode levar a irritações da pele ou a queimaduras.
- e) **Não utilize uma bateria ou ferramenta danificada ou modificada.** Baterias danificadas ou modificadas podem ter comportamentos imprevisíveis, podendo resultar em incêndio, explosão ou risco de ferimentos.
- f) **Não exponha a bateria ou a ferramenta eléctrica a fogo ou a temperaturas elevadas.** A exposição ao fogo ou a temperaturas acima de 130°C / 265°F pode provocar uma explosão.
- g) **Siga todas as instruções de carregamento e não carregue a bateria ou ferramenta sob temperaturas fora da faixa de temperatura especificada nas instruções.** Carregar de forma incorreta ou sob temperaturas fora da faixa especificada pode danificar a bateria e aumentar o risco de incêndio.

6) ASSISTÊNCIA TÉCNICA

- a) **A assistência técnica da ferramenta eléctrica deve ser efectuada por pessoal devidamente qualificado, utilizando apenas peças sobressalentes idênticas.** Este procedimento assegurará que é mantida a segurança da ferramenta eléctrica.
- b) **Nunca conserte baterias danificadas.** A reparação de baterias só deve ser executada pelo fabricante ou por fornecedores de serviço autorizados.

AVISOS DE SEGURANÇA PARA AGRAFADOR

- **Assuma sempre que a ferramenta contém agrafos.** A falta de cuidado no manuseio do agrafador pode resultar no disparo inesperado dos agrafos e em lesões pessoais.
- **Não aponte a ferramenta na sua direcção ou na direcção de outras pessoas que estejam nas proximidades.** O accionamento inesperado fará disparar um agrafador e poderá causar ferimentos.
- **Não faça funcionar a ferramenta excepto se ela estiver firmemente encostada na peça de trabalho.** Se a ferramenta não estiver em contacto com a peça de trabalho, o agrafador pode-se desviar do alvo.
- **Desligue a ferramenta da fonte de alimentação quando o agrafador estiver na ferramenta.** Ao retirá-lo, o agrafador pode ser activado accidentalmente se estiver ligado.
- **Tenha cuidado quando retirar um agrafador que esteja no meio de outras ferramentas.** O mecanismo pode estar sob pressão e o agrafador pode ser forçado a disparar ao ser retirado do meio das outras ferramentas.
- **Não utilize este agrafador para fixar cabos eléctricos.** Ele não foi concebido para a instalação de cabos eléctricos e pode danificar o seu isolamento podendo provocar, por isso, choques eléctricos ou riscos de incêndio.

ESPECIFICAÇÕES TÉCNICAS

Agrafador de bateria, número do modelo	BTX530	BTX140
Tipo de agrafador	Rapid 53	Rapid 140
Comprimento do agrafador	6-14 mm	6-14 mm

Capacidade máxima de agrafos no cartucho	112 pçs	66 pçs
Tipo, comprimento do prego	Rapid T8, 15-30 mm	
Capacidade máxima de pregos no cartucho	66 pçs	
Dimensão da ferramenta (Bateria incluída) A x L X C	195 x 60 x 220 mm	
Peso da ferramenta	1,360 kg	
Bateria		
Tipo, Voltagem	Li-Ion, 7,2 V	
Capacidade	1.300 mAh	
Tempo de carga	90 min	
Disparos por carga (máx)	≈ 1500 disparos	
Velocidade	20 disparos/min	
Carregador		
Entrada	100-240 V, 50-60 Hz	
Saída	8,4 V cc	
Potência	1.000 mA	

EMIÇÃO DE RUÍDO

Nível da pressão sonora ponderada A $L_pA=79,3$ dB(A), variabilidade $K=3$ dB(A)

Nível da pressão sonora ponderada A $L_wA=90,3$ dB(A), variabilidade $K=3$ dB(A)"

É recomendada a utilização de proteção auditiva para o operador.

VIBRAÇÃO

Valor total da vibração= $1,214$ m/s², variabilidade $K=1,5$ m/s²

O valor total da vibração declarada foi avaliado de acordo com um método de teste padrão, e pode ser utilizado para comparar uma ferramenta com outra

O valor total de vibração declarado também pode ser utilizado numa avaliação preliminar de exposição

AVISO

A emissão da vibração durante a utilização actual da ferramenta eléctrica pode diferir do valor total declarado, dependendo do modo com que a ferramenta é utilizada.

É necessário identificar medidas de segurança para proteger o operador com base nas condições reais de utilização (tendo em conta todo o ciclo operacional, desde o ligar da máquina, máquina em funcionamento, disparo, intervalo de disparo e até ao desligar da máquina.



MONTAGEM

DEFINIÇÕES (Figura 1, 2 e 10)

- | | | |
|--|-------------------------------------|-------------------------------|
| A : Botão de ajuste da potência | B : Gatilho | C : Bateria |
| D : Botões de desbloqueio | E : Dispositivo de segurança | F : Trinco do cartucho |
| G : Carril | H : Cartucho | I : Tomada |
| J : Ponto de carregamento | K : Carregador | L : LED |

REMOÇÃO E CONECCÃO DA BATERIA

1. Para retirar a bateria **C**, prima os botões de desbloqueio **D** e deslize-a para fora do dispositivo (Figura 3).
2. Para ligar a bateria, deslize-a na direcção oposta até ouvir um clique (Figura 4).

CARREGAR AGRAFOS/PREGOS NO CARTUCHO

1. Pressione o trinco do cartucho **F** para remove-lo do agrafador.
2. Deslize o carril **G** para trás.
3. Insira as fitas de agrafos/pregos como mostra a figura 8 e 9.
4. Feche o cartucho, empurrando o carril para a frente até bloquear.

REMOVER AGRAFOS/PREGOS DO CARTUCHO

1. Pressione o trinco do cartucho **F** para remove-lo do agrafador.
2. Deslize o carril **G** para trás.
3. Remova os agrafos/pregos do cartucho.
4. Feche o cartucho.

FUNCIONAMENTO

AGRAFAR/PREGAR

1. Certifique-se de que a ferramenta está em boas condições de trabalho.
2. Rode o botão de ajuste da potência **A** para regular a profundidade de penetração dos agrafos/pregos sem cabeça, de acordo com os seus requisitos (Figura 5).
3. Prima firmemente o dispositivo de segurança **E** contra a peça a trabalhar até ele ser premido alguns milímetros (Figura 6).
4. Prima rapidamente o gatilho **B** e, em seguida, solte-o (Figura 7).
5. O gatilho **B** está bloqueado desde que não prima o dispositivo de segurança contra a peça a trabalhar evitando, assim, o funcionamento accidental.

INSTRUCOES DE FUNCIONAMENTO DO CARREGADOR

Não utilize a ferramenta durante o procedimento de carga.

1. Retire a bateria da ferramenta
2. Ligue o ponto de carregamento **J** do carregador na tomada **I** da bateria (Figura 10).
3. Ligue o carregador **K** à corrente eléctrica. → O LED **L** no carregador ficará vermelho durante o

carregamento (Figura 10).

- Quando a bateria estiver totalmente carregada, o LED **L** do carregador fica verde (Figura 10).
 - Desligue a ficha **I** da tomada **I** e desligue o carregador **K** da corrente eléctrica.
- Carregue apenas à temperatura ambiente entre 10°C e 50°C.
 - Durante o processo de carregamento, o carregador pode ficar quente: Esta é uma situação normal.
 - Não armazene a bateria em locais onde a temperatura ultrapasse os 50°C.

NOTA: Para um melhor desempenho, prima a ferramenta contra a peça de trabalho.

NOTA: Caso um agrafador ou prego fique bloqueado, leia a secção de manutenção. NÃO faça accionar a ferramenta para resolver o bloqueio, pois isso pode danificá-la.

NOTA: Durante o funcionamento, a ferramenta pode ficar quente. Esta é uma situação normal. No entanto, se a ferramenta começar a ficar demasiado quente deixe de a utilizar e aguarde que arrefeça.

NOTA: O agrafador deve ser utilizado apenas para o objectivo a que se destina. Esta ferramenta destina-se a fi xar madeira, cartão, material de isolamento, tecidos, folha, pele e materiais semelhantes em superfícies de madeira ou materiais semelhantes a madeira, apenas para utilização doméstica.

NOTA: Utilize a ferramenta apenas com as baterias correctas.

MANUTENÇÃO

MANUTENÇÃO PADRÃO

- Inspeccione todos os parafusos e aperte-os, se necessário.
- Mantenha todas as aberturas de ventilação limpas de pó e sujidade.
- Retire as baterias antes de limpar a ferramenta.
- Limpe a ferramenta utilizando um pano seco ou húmido. **NUNCA** utilize solventes.
- Mantenha o canal do cartucho limpo.
- NÃO** utilize óleo ou massa lubrificante nos componentes.
- Certifique-se de que o agrafador não está danificado. Substitua ou repare antes de utilizar.

LIMPAR UM AGRAFO/PREGO BLOQUEADO

- Pressione o trinco do cartucho **F** para remove-lo do agrafador.
- Deslize o carril **G** para trás.
- Retire os agrafos/pregos soltos do cartucho.
- Utilize um pino com uma extremidade afiada para retirar agrafos/pregos bloqueados.

AVISO!!

NÃO altere nem separe os componentes deste agrafador, nem instale acessórios especiais. Se o fizer, pode causar lesões pessoais.

Se ocorrer alguma falha da ferramenta/carregador apesar dos cuidados tidos nos procedimentos de fabrico e testes, a reparação deve ser efectuada por um centro de assistência pós-venda de ferramentas Rapid.



AMBIENTE

Recolha separada do lixo. Não coloque as ferramentas eléctricas usadas junto com o lixo doméstico! Em conformidade com a Directiva Europeia 2012/19/EU sobre equipamento eléctrico e electrónico usado.

- Quando a ferramenta necessitar de ser substituída, ou se não for mais utilizada, deve ser entregue num centro de recolha de lixo para reciclagem.
- Bateria: As baterias são recicláveis.

A bateria pode ser recarregada inúmeras vezes. No final do tempo útil de vida, descarregue a bateria completamente, retire-a da ferramenta e entregue-a num centro de reciclagem local.



BTX530 / BTX140

Översättning av originalinstruktionerna



Följer relevanta EU-direktiv



ALLMÄNNA SÄKERHETSINSTRUKTIONER FÖR ELVERKTYG

WARNING! Läs noga igenom alla varningar, säkerhetsinstruktioner, illustrationer och anvisningar som levereras med detta elverktyg. Felhantering vid tillämpning av nedan angivna instruktioner kan medföra elstötar, brand och/eller allvarliga skador.



Spara varningarna och instruktionerna för framtida bruk. Med begreppet "elverktyg" nedan menas nätdrivna elverktyg (med nätsladd) och batteridrivna elverktyg (sladdlösa).



1) ARBETSPLATSSÄKERHET

a) Arbetsytan ska vara städad och ren samt väl upplyst. Belamrade bänkar och mörka ytor kan leda till olyckor.

- b) **Använd inte verktyget i explosiva omgivningar, t.ex. i närheten av lättantändliga vätskor, gaser eller stoft.** Elverktygen alstrar gnistor som kan antända dammet eller gaserna.
- c) **Håll barn och obehöriga personer på betryggande avstånd under arbetets gång.** Om du störs kan du förlora kontrollen över elverktyget.

2) ELEKTRISK SÄKERHET

- a) **Elverktygets stickkontakt måste passa till uttaget. Stickkontakten får absolut inte modifieras på något sätt.** Använd inte adapterkontakter tillsammans med skyddsjordade elverktyg. Om modifierade stickkontakter och passande vägguttag reducerar risken för elektrisk chock.
- b) **Undvik kroppskontakt med jordade ytor som t.ex. rör, värmeelement, spisar och kylskåp. Det finns en större risk för elektrisk chock om man är jordad.**
- c) **Skydda elverktyget mot regn och väta.** Tränger vatten in i ett elverktyg ökar risken för elektrisk chock.
- d) **Missbruka inte nätsladden.** Använd inte nätsladden för att bära eller hänga upp elverktyget och inte heller för att dra stickkontakten ur vägguttaget. Håll nätsladden på avstånd från värme, olja, skarpa kanter och rörliga maskindelar. Skadade eller tilltrasslade ledningar ökar risken för elektrisk chock.
- e) **När du arbetar med ett elverktyg utomhus, använd endast förlängningssladdar som är godkända för utomhusbruk.** Om en lämplig förlängningssladd för utomhusbruk används minskar risken för elektrisk chock.
- f) **Använd jordfelsbrytare om elverktyget måste användas i en fuktig omgivning.** Genom att använda en jordfelsbrytare minskas risken för elstöt.

3) PERSONSÄKERHET

- a) **Var uppmärksam, se efter vad du gör och använd ditt förnuft när du arbetar med elverktyget.** Använd inte elverktyget när du är trött eller om du är påverkad av droger, alkohol eller mediciner. Under användning av elverktyg kan även en kort stund av ouppmärksamhet leda till allvarliga kroppsskador.
- b) **Bär alltid skyddsutrustning och skyddsglasögon.** Användning av skyddsutrustning som t. ex. dammfiltermask, halkfria säkerhets skor, skyddshjälm och hörselskydd reducerar risken för kroppsskada alltefter elverktygets typ och användning.
- c) **Undvik oavsiktlig igångsättning.** Se till att strömbrytaren är av innan du ansluter verktyget till nätströmmen eller ett batteri. Se även till att den är av när du ska lyfta eller bära verktyget. Om du bär elverktyget med fingret på strömbrytaren eller ansluter påkopplat elverktyg till nätströmmen kan olycka uppstå.
- d) **Ta bort alla inställningsverktyg och skruvnycklar innan du sätter på elverktyget.** Ett verktyg eller en nyckel i en roterande komponent kan medföra kroppsskada.
- e) **Se till att du inte sträcker dig. Ha ordentliga skor på och se till att alltid stå stadigt.** På så sätt kan du lättare kontrollera elverktyget i oväntade situationer.
- f) **Bär lämpliga kläder.** Använd inte löst sittande kläder eller smycken. Håll håret, kläderna och handskarna på avstånd från rörliga delar. Löst hängande kläder, smycken eller långt hår kan dras in av roterande delar.
- g) **Vid elverktyg med dammsugnings- och - uppsamlingsutrustning, kontrollera att anordningarna är rätt monterade och används på korrekt sätt.** Användning av dammsugning minskar

de risker som orsakars av damm.

- h) **Låt inte vanan från frekvent användning av verktyget göra att du blir slarvig och ignorerar verktygets säkerhetsprinciper.** En vårdslös åtgärd kan orsaka en allvarlig skada inom bråkdelen av en sekund.

4) HANTERING OCH ANVÄNDNING AV ELVERKTYG

- a) **Överbelasta inte elverktyget.** Använd rätt elverktyg för den funktion du behöver. Med rätt elverktyg för rätt uppgift kan du arbeta bättre och säkrare.
- b) **Ett elverktyg med defekt strömbrytare får inte längre användas.** Ett elverktyg som inte kan sättas på eller stängas av är farligt och måste repareras.
- c) **Dra ut elkontakten ur uttaget och/eller ta bort det löstagbara batteriet innan du gör inställningar, byter tillbehör eller lägger ifrån dig verktyget.** Denna skyddsåtgärd förhindrar att du eller någon annan råkar sätta igång elverktyget av misstag.
- d) **Förvara elverktyg oåtkomligt för barn och låt inte personer utan kunskap om elverktyget eller dessa anvisningar använda det.** Elverktygen är farliga om de används av oerfarna personer.
- e) **Underhåll elverktyget och dess tillbehör omsorgsfullt.** Kontrollera om de rörliga delarna är fel inställda, om delarna kärvar, om några delar har gått sönder eller andra förhållanden som kan inverka på verktygets funktioner. Om verktyget har skadats ska det repareras innan du använder det igen. Många olyckor orsakas av dåligt skötta elverktyg.
- f) **Håll skärverktygen skarpa och rena.** Omsorgsfullt skötta skärverktyg med skarpa eggar kommer inte så lätt i kläm och går lättare att styra.
- g) **Använd elverktyget, tillbehör, insatsverktyg osv. enligt dessa anvisningar.** Ta hänsyn till arbetsvillkoren och arbetsmomenten. Om elverktyget används utanför angivna användningsområden kan farliga situationer uppstå.
- h) **Håll handtagen och greppytorna torra, rena och fria från olja och fett.** Hala handtag och greppytor förhindrar säker hantering och kontroll av verktyget vid oväntade situationer.

5) HANTERING OCH ANVÄNDNING AV BATTERIVERKTYG

- a) **Ladda batterierna endast med den laddare som tillverkaren har anvisat.** Brandrisk kan uppstå om en laddare som är avsedd för en viss typ av batterier används för andra batterityper.
- b) **Använd elverktyget endast med avsedd typ av batterier.** Används andra batterier kan det uppstå en risk för skada och brand.
- c) **När batteriet inte används ska det förvaras på avstånd från metallföremål som gem, mynt, nycklar, spikar, skruvar och andra små föremål som kan åstadkomma en koppling mellan polerna.** Kortslutning av batteripolerna kan leda till brännskador eller brand.
- d) **Om batteriet används på fel sätt kan vätska rinna ur batteriet.** Undvik kontakt med vätskan. Vid oavsiktlig kontakt spola med vatten. Om vätska kommer i kontakt med ögonen uppsök dessutom läkare. Batterivätskan kan medföra hudirritation och brännskada.
- e) **Använd inte ett batteri som är skadat eller har modifierats.** Skadade eller modifierade batterier kan bete sig oförutsägbart och resultera i brand, explosion eller risk för skada.
- f) **Utsätt aldrig batterier för öppen eld eller för höga temperaturer.** Om batterier utsätts för eld eller temperaturer över 130°C /265 °F kan det orsaka explosioner.
- g) **Följ alla instruktioner för laddning och ladda aldrig batteriet**

vid temperaturer som ligger utanför det intervall som anges i instruktionerna. Felaktigt utförd laddning eller laddning vid temperaturer utanför det angivna intervallet kan skada batteriet och öka risken för brand.

6) SERVICE

- a) **Låt endast elverktyget repareras av kvalificerad fackpersonal och med originalreservdelar.** Detta garanterar att elverktygets säkerhet upprätthålls.
- b) **Utför aldrig underhåll på skadade batterier.** Underhåll av batterier får endast utföras av tillverkaren eller av auktoriserade kundservicecenter.

SÄKERHETSINSTRUKTIONER FÖR HÄFTPISTOL

- **Förutsätt alltid att verktyget innehåller fästelement.** Om verktyget hanteras ovarsamt kan det leda till att det av misstag avfyras och personer kommer till skada.
- **Rikta inte verktyget mot dig själv eller andra.** Om avtryckaren utlöses av misstag kan en klammer eller spik avfyras och orsaka skador.
- **Avfyr bara verktyget när det hålls tryckt mot arbetsstycket.** Om verktyget inte är i kontakt med arbetsstycket kan klammern eller spiken missa målet.
- **Koppla bort verktyget från strömkällan om klammarna eller spikarna fastnar i verktyget.** Häftpistolen kan annars avfyras av misstag när du försöker ta bort det som har fastnat.
- **Var försiktig när du tar bort fästelement som har fastnat.** Mechanismen kan vara spänd och fästförbandet kan av misstag avfyras när du försöker ta bort det som har fastnat.
- **Fäst inte elkablar med häftpistolen.** Verktyget är inte avsett för installation av elkablar och det kan skada kablarnas isolering. Det kan leda till elektriska stötar eller brand.

TEKNISKA SPECIFIKATIONER

Batteridrivna häftpistol, modellnummer	BTX530	BTX140
Klammertyp	Rapid 53	Rapid 140
Klammerlängd	6-14 mm	6-14 mm
Magasinkapacitet klammer, max	112 st.	66 st.
Dyckertyp, längd	Rapid T8, 15-30 mm	
Magasinkapacitet dyckert, max	66 st.	
Verktygets mått (inkl. batteri) HxBxL	195 x 60 x 220 mm	
Verktygets vikt	1,360 kg	
Batteri		
Typ, spänning	Litium-jon, 7,2 V	
Kapacitet	1300 mAh	
Laddningstid	90 minuter	
Skott per laddning, max	≈ 1500 skott	
Hastighet, maximal kontinuerlig	20 avfyringar/min	
Laddare		
In	100-240 V, 50-60 Hz	
Ut	8,4 V likström	
Ström	1000 mA	

LJUDEMSSION

A-vägd ljudeffektsnivå $L_pA=79,3$ dB(A), osäkerhet $K=3$ dB(A)

A-vägd ljudeffektsnivå $L_wA=90,3$ dB(A), osäkerhet $K=3$ dB(A)
Användaren rekommenderas att använda hörselskydd.

VIBRATION

Vibrationsemissionsvärde $=1,214$ m/s², osäkerhet $K=1,5$ m/s²

Det angivna totala vibrationsemissionsvärdet har uppmätts enligt ett standardiserat test och kan användas för att jämföra vibrationen hos olika verktyg

Det angivna totala vibrationsemissionsvärdet kan även användas i en ungefärlig uppskattning av hur stor

vibration användaren utsätts för

VARNING

Vibrationerna under den faktiska användningen av elverktyget kan skilja sig från det angivna värdet beroende på hur verktyget används.

Det är nödvändigt att identifiera säkerhetsåtgärder som kan skydda användaren och som grundar sig på en uppskattning av hur denne exponeras under den faktiska användningstiden (ta hänsyn till alla delar av användandet som t.ex. under de tider då verktyget är avstängt och när det går på tomgång).



MONTERING

DEFINITIONER (Figur 1, 2 och 10)

A : Slagstyrkeved

D : Låsknapp

G : Spår

J : Laddningspunkt

B : Avtryckare

E : Säkerhetsspärr

H : Magasin

K : Laddare

C : Batteri

F : Magasinspärr

I : Uttag

L : Lysdiod

BORTTAGNING OCH ANSLUTNING AV BATTERIET

1. Ta bort batteriet **D** genom att trycka på låsknapparna **D** och skjuta batteriet ut ur apparaten (Figur 3).
2. Sätt in batteriet i verktyget genom att skjuta tillbaka det i motsatt riktning till det klickar fast (Figur 4).

LADDA KLAMMER/DYCKERT I MAGASINET

1. Tryck på magasinspärren **F** för att lossa det från häftpistolen.
2. Dra spåret **G** bakåt.
3. Sätt i häftklammer/dyckertstapel enligt figur 8 och 9.
4. Stäng magasinet genom att trycka spåret framåt tills det fäster.

TA BORT KLAMMER/DYCKERT UR MAGASINET

1. Tryck på magasinspärren **F** för att lossa det från häftpistolen.
2. Dra spåret **G** bakåt.
3. Ta bort klammer/dyckert ur magasinet.
4. Stäng magasinet.

ANVÄNDNING

HÄFTNING/SPIKNING

1. Kontrollera att verktyget fungerar som det ska.
2. Vrid slagstyrkevedet **A** för att justera klammerns/dyckertens inträngningsdjup (Figur 5).
3. Tryck säkerhetsspärren (E) mot arbetsstycket tills den är intryckt ett par millimeter (Figur 6).
4. Tryck ned avtryckaren **B** och släpp sedan igen (Figur 7).
5. Avtryckaren **B** är låst när säkerhetsspärren inte är tryckt mot arbetsstycket. På så sätt undviks häftning/spikning av misstag.

ANVÄNDARINSTRUKTIONER FÖR LADDAREN

Använd inte verktyget när det laddas.

1. Ta bort batteriet från verktyget.
2. Koppla in laddarens laddningspunkt **J** i uttaget **I** på batteriet (Figur 10).
3. Anslut laddaren **K** till ett eluttag. → Lysdioden **L** på laddaren lyser rött när batteriet laddas (Figur 10).
4. När batteriet är fulladdat lyser lysdioden **L** grönt (Figur 10).
5. Koppla bort laddningspunkten **J** från uttaget **I** och koppla bort laddaren **K** från eluttaget.
 - Ladda bara när den omgivande temperaturen är mellan 10 och 50 °C.
 - Under pågående laddning kan laddaren bli varm: det är normalt.
 - Förvara inte batteriet på platser där temperaturen kan överskrida 50 °C.

OBS! Tryck verktyget mot arbetsstycket för ett bättre resultat.

OBS! Om en klammer eller dyckert fastnar, läs sektionen om underhåll. Avfära INTE verktyget igen för att ta bort något som fastnat då det kan skada verktyget.

OBS! Verktyget kan kännas varmt under användning. Det är normalt men om verktyget börjar bli hett ska arbetet avbrytas tills dess att verktyget har kylts ned.

OBS! Häftpistolen får endast användas för avsett syfte. Verktyget är avsett för häftning och spikning i trä, kartong, isoleringsmaterial, tyg, folie, läder och liknande material på ytor av trä och träliknande material. Endast för privat bruk.

OBS! Använd verktyget endast med det avsedda batteriet.

UNDERHÅLL

STANDARDUNDERHÅLL

1. Inspektera alla skruvar och dra åt vid behov.
2. Håll borta damm och smuts från alla öppningar.
3. Ta bort batteriet innan du rengör verktyget.
4. Rengör verktyget med en torr eller fuktig trasa. Använd ALDRIG lösningsmedel.
5. Håll magasinkanalen ren.
6. Använd INTE olja eller fett på några delar.
7. Kontrollera att häftpistolen inte är skadad. Kassera eller reparera före användning.

TA BORT KLAMMER/DYCKERT SOM HAR FASTNAT

1. Tryck på magasinspärren **F** för att lossa det från häftpistolen.
2. Dra spåret **G** bakåt.
3. Ta ut lösa klammer/dyckert ur magasinet.
4. Använd en vass nål för att ta bort klammer/dyckert som har fastnat.



WARNING!

Ändra INTE delar på denna häftpistol, och lägg inte till egna specialdetaljer. Det kan orsaka personskador.

Om verktyget eller laddaren skulle gå sönder trots den noggranna tillverkningen och testningen ska det repareras av ett servicecenter för Rapid.



MILJÖ

Avfallssortering. Kasta inte elverktyg i hushållssoporna! Enligt det europeiska direktivet 2012/19/EU om avfall som utgörs av elektrisk eller elektronisk utrustning.

- När verktyget måste kastas ska det återvinnas på en särskild avfallsanläggning.
- Batteri: Batterierna är återvinningsbara.

Det går att ladda batteriet många gånger. När batteriet inte går att ladda mer ska det laddas ur helt. Ta sedan bort det från verktyget och lämna in på en återvinningsstation.

BTX530 / BTX140

Oversættelse af den originale vejledning



Følg relevante EU-direktive



GENERELLE SIKKERHEDSADVARSLER OM ELVÆRKTØJ

ADVARSEL !! Læs alle sikkerhedsadvarsler, instruktioner, illustrationer og specifikationer, der følger med dette elværktøj. Manglende overholdelse af alle nedenstående anvisninger kan medføre elektrisk stød, brand og / eller alvorlig skade.



Gem alle advarsler og vejledninger til senere brug.

Udtrykket "elværktøj" i advarslerne refererer til elektrisk tilsluttet (med netledning) værktøj eller til batteridrevet (uden netledning) elværktøj.

1) SIKKERHED PÅ ARBEJDSPLADSEN

- Sørg for at holde arbejdsområdet rent og godt oplyst.** Rod eller mørke områder kan give anledning til uheld.
- Betjen ikke elværktøjet i omgivelser med eksplosionsfare som f.eks. I nærheden af brandbare væsker, gasser eller støv.** Elværktøj skaber gnister, som kan antænde støv eller dampe.
- Hold tilskuere, børn og besøgende på afstand, når elværktøjet betjenes.** Distrahering kan forårsage tab af kontrol over værktøjet.

2) ELEKTRISK SIKKERHED

- Elværktøjets stik skal passe til stikkontakten.** Stikket må ikke ændres. Undlad at anvende adapterstik med elværktøj, der kræver jordforbindelse. Uændrede stik og tilhørende stikkontakter reducerer risikoen for elektrisk stød.
- Undgå kropskontakt med jordforbundne overflader, som f.eks. rør, radiatorer, komfurer og køleskabe.** Der er en øget risiko for elektrisk stød, hvis din krop er forbundet til jord.
- Udsæt ikke elværktøj for regn eller fugt.** Vandindtrængning i et elværktøj øger risikoen for elektrisk stød.
- Brug ikke ledningen til formål, den ikke er beregnet til.** Anvend aldrig ledningen for at bære, trække eller afbryde elværktøjet. Hold ledningen væk fra varme, olie, skarpe kanter og bevægelige dele. Beskadigede eller vikledede ledninger øger risikoen for elektrisk stød.
- Hvis maskinen benyttes i det fri, må der kun benyttes en forlængerledning, der er godkendt til udendørs brug.** Anvendelsen af en ledning til udendørs brug reducerer risikoen for elektrisk stød.
- Hvis det ikke kan undgås at bruge maskinen i fugtige omgivelser, skal der bruges et HFI-relæ. Anvendelsen af et HFI-relæ reducerer risikoen for elektrisk stød.

3) PERSONLIG SIKKERHED

- a) **Vær opmærksom, koncentrer dig om det, du laver, og brug sund fornuft ved betjening af elværktøj.** Undlad at anvende elværktøj, hvis du er træt, har nydt alkohol, eller er påvirket af medicin eller euforiserende stoffer. Et øjeblikks uopmærksomhed ved brug af elværktøj kan resultere i alvorlig legemsbeskadigelse.
- b) **Anvend personlige værnemidler.** Anvend altid beskyttelsesbriller. Værnemidler som f.eks. støvmaske, sikkerhedssko med skridsikker sål, hjelm eller høreværn anvendt afhængigt af forholdene, reducerer legemsbeskadigelse.
- c) **Undgå utilsigtet igangsætning.** Sørg for, at afbryderen er i off-positionen, før tilslutning til en strømkilde og/eller et batteri, ved opsamling, eller når du bærer værktøjet. Transport af elværktøj med fingeren på afbryderen eller opladning af elværktøj med afbryderen på On, opfordrer til uheld.
- d) **Fjern eventuelt justeringsværktøj, før elværktøjet tændes.** En skiftenøgle eller skruenøgle der er efterladt på en roterende del af et elværktøj, kan resultere i legemsbeskadigelse.
- e) **Ræk ikke for langt.** Sørg for altid at bevare fodfæstet og holde balancen. Dette giver bedre kontrol over elværktøjet i uventede situationer.
- f) **Brug egnet arbejdstøj.** Undlad at bruge løsthængende tøj eller at bære smykker. Hold dit hår, dit tøj og dine handsker væk fra bevægelige dele. Løst tøj, smykker eller langt hår kan indfanges af bevægelige dele.
- g) **Hvis der anvendes enheder til støvudsugning og -opsamling, skal disse være korrekt tilsluttet og anvendt.** Anvendelsen af støvopsamling kan reducere støvrelaterede risici.
- h) **Lad ikke hyppig brug af værktøjer gøre det muligt for dig at ignorere værktøjernes sikkerhedsprincipper.** En uforsigtig handling kan forårsage alvorlig skade inden for en brøkdelt af et sekund.

4) ANVENDELSE OG VEDLIGEHOLDELSE AF ELVÆRKTØJ

- a) **Anvend ikke unødigt kraft på elværktøjet.** Anvend det rigtige elværktøj til opgaven. Det korrekte elværktøj gør arbejdet bedre og mere sikkert med den hastighed, det er beregnet til.
- b) **Anvend ikke elværktøjet, hvis afbryderen ikke slukker og tænder for værktøjet.** Ethvert elværktøj, der ikke kan kontrolleres med afbryderen, er farligt, og skal repareres.
- c) **Tag stikket ud af stikkontakten og/eller batteriet ud af elværktøjet, før der foretages justeringer, skiftes tilbehør og før opbevaring af elværktøj.** Disse forebyggende sikkerhedstiltag reducerer risikoen for utilsigtet start af elværktøjet.
- d) **Opbevar ubenyttet elværktøj uden for børns rækkevidde, og lad ikke personer, der ikke er fortrolige med elværktøjet eller denne vejledning, betjene elværktøjet.** Elværktøj er farligt i hænderne på uerfarne brugere.
- e) **Vedligehold elværktøj og tilbehør.** Kontroller, om bevægelige dele fungerer korrekt og ikke sidder fast, om der er beskadigede dele, og alle andre forhold, der kan påvirke betjening af elværktøjet. Ved beskadigelse skal elværktøjet repareres før brug. Mange uheld forårsages af dårligt vedligeholdt elværktøj.
- f) **Hold skæreværktøj skarpt og rent.** Korrekt vedligeholdt skæreværktøj med skarpe skær er mindre tilbøjelige til at sidde fast og er lettere at styre.
- g) **Anvend elværktøjet, tilbehøret, indsatsværktøj osv. i henhold til denne vejledning, og tag arbejdsforholdene og det arbejde,**

- der skal udføres, i betragtning.** Anvendelse af elværktøj til andet end det tilsigtede formål kan resultere i farlige situationer.
- h) **Hold håndtagene og overfladerne, rene og fri for olie og fedt.** Løse håndtag og gribende overflader tillader ikke sikker håndtering og kontrol af værktøjet i uventede situationer.
- 5) ANVENDELSE OG PLEJE AF BATTERIDRETVÆRKTØJ**
- a) **Oplad kun batterier i ladeaggregater, der er anbefalet af fabrikanten.** Et ladeaggregat, der er egnet til en bestemt type batterier, må ikke benyttes med andre batterier – brandfare.
- b) **Brug kun elværktøjet med den tilsigtede type batterier.** Hvis der anvendes andre batterier, kan der være risiko for skade og brand.
- c) **Når batteriet ikke er i brug, skal det holdes væk fra andre metalgenstande som f.eks. papirclips, mønter, nøgler, søm, skruer eller andre små metalgenstande, der kan skabe en forbindelse fra den ene terminal til den anden.** Kortslutning af batteri polerne kan medføre forbrændinger eller brand.
- d) **Hvis batteriet bruges ukorrekt, kan der flyde væske fra batteriet.** Undgå kontakt med væsken. I tilfælde af utilsigtet kontakt skylle med vand. Hvis væske kommer i kontakt med øjnene, søg lægehjælp. Batterivæsken kan forårsage hudirritation og forbrænding.
- e) **Brug ikke et batteri, der er beskadiget eller er blevet ændret.** Beskadigede eller ændrede batterier kan opstå uforudsigeligt og resultere i brand, eksplosion eller risiko for skade
- f) **Udsæt aldrig batterier for at åbne flammer eller høje temperaturer.** Eksponering for batterier eller temperaturer over 130 ° C kan forårsage eksplosioner.
- g) **Følg alle opladningsinstruktioner, og oplad aldrig batteriet ved temperaturer uden for det område, der er angivet i vejledningen.** Forkert opladning eller opladning ved temperaturer uden for det angivne område kan beskadige batteriet og øge risikoen for brand.
- 6) SERVICE**
- a) **Få dit elværktøj eftersat af kvalificerede reparatører, og anvend udelukkende originale reservedele.** Dette sikrer, at værktøjets sikkerhed bibeholdes.
- b) **Udfør aldrig vedligeholdelse på beskadigede batterier.** Vedligeholdelse af batterier må kun udføres af fabrikanten eller af et autoriseret kundeservicecenter.

SIKKERHEDSADVARSLER TIL HÆFTEPISTOLER

- **Gå altid ud fra, at værktøjet indeholder hæfteklammer/dykkere.** Uagtsom håndtering af hæftepistolen kan resultere i uventet udskydning af hæfteklammer/dykkere og legemsbeskadigelse.
- **Undgå at rette værktøjet mod dig selv eller andre i nærheden.** Uventet tryk på aktiveringsknappen udskyder hæfteklammen/dykkeren, og kan forårsage personskade.
- **Aktiver ikke værktøjet, med mindre værktøjet er placeret sikkert mod arbejdsområdet.** Hvis værktøjet ikke har kontakt med arbejdsområdet, kan hæfteklammen/dykkeren reflekteres væk fra målet.
- **Afbryd elværktøjets forbindelse til strøm, hvis hæfteklammen/dykkeren sidder fast i værktøjet.** Når en fastsiddende hæfteklamme/dykker fjernes, kan hæftepistolen utilsigtet aktiveres, hvis den er tilsluttet strøm.
- **Vær forsigtig, når en fastsiddende hæfteklamme/dykker fjernes.** Mekanismen kan være presset sammen, og hæfteklammen/

dykkeren kan udskydes med stor kraft, når der gøres forsøg på at frigøre en fastsiddende hæfteklamme/dykker.

- **Anvend ikke denne hæftepistol til fastgøring af elektriske ledninger.** Den er ikke designet til montering af elledninger, og kan beskadige elledningernes isolering og derved forårsage elektrisk stød eller brandfare.

TEKNISKE SPECIFIKATIONER

Batteridreven hæftepistol, modelnummer	BTX530	BTX140
Hæfteklammetype	Rapid 53	Rapid 140
Hæfteklamme længde	6-14 mm	6-14 mm
Magasin kapacitet maks	112 stk.	66 stk.
Dykkertype, længde	Rapid T8, 15-30 mm	
Magasin kapacitet dykker, maks	66 stk.	
Værktøjs Dimensioner (Incl. Batteri) H x B x L	195 x 60 x 220 mm	
Værktøjets vægt	1,360 kg	
Batteri		
Type, Voltage	Li-Ion, 7,2 V	
Kapacitet	1300 mAh	
Opladningstid	90 min.	
Skud pr opladning	≈ 1500 skud	
Hastighed, maksimal kontinuerlig	20 skud/min	
Oplader		
Indgang	100-240 V, 50-60 Hz	
Udgang	8,4 V cc	
Effekt	1000 mA	

STØJAFGIVELSE

A-vægtet lydtryk $L_{pA}=79,3$ dB(A), usikkerhed $K=3$ dB(A)

A-vægtet lydtryk $L_{w}=90,3$ dB(A), usikkerhed $K=3$ dB(A)

Det anbefales at brugeren at bruge hørseværn.

VIBRATION

Vibration totalværdi= $1,214$ m/s², usikkerhed $K=1,5$ m/s²

Den anførte totalværdi for vibration er målt i overensstemmelse med en standardiseret testmetode, og kan anvendes til at sammenligne et værktøj med et andet.

Den anførte totalværdi for vibration kan også anvendes i en foreløbig vurdering af støjudsættelsesniveau.

ADVARSEL

Den udsendte vibration ved faktisk anvendelse af elværktøjet kan afvige fra den anførte totalværdi, afhængigt af den måde værktøjet anvendes på.

Det er nødvendigt at identificer sikkerhedsforanstaltninger, der kan beskytte brugeren, og som er baseret på et skøn over, hvordan det eksponeres under den aktuelle brugstid (tage hensyn til alle dele af brugen, f.eks. I de tidspunkter, hvor værktøjet er slukket, og når det kører tomgang).



HOVEDDELE

DEFINITIONER (Figur 1, 2 og 10)

- | | | |
|----------------------------------|--------------------------------|-------------------------|
| A : Slagstyrkeknappen | E : Udløser | C : Batterienhed |
| D : Knapper til oplåsning | E : Sikkerhedsanordning | F : Magasinlås |
| G : Skinne | H : Magasin | I : Stikkontakt |
| J : Opladningspunkt | K : Oplader | L : LED |

MONTERING AF BATTERIET

1. Du kan udtage batteriet **C** ved at trykke på knapper til oplåsning **D** og skubbe batteriet ud af maskinen (Figur 3).
2. Du kan tilslutte batteriet ved at skubbe det i den anden retning, indtil forbindelsen klipper på plads (Figur 4).

INDFØR HÆFTEKLAMMER/DYKKERE I MAGASINET

1. Tryk på magasinlåset **F** for at frigøre det fra hæftedelen.
2. Skub skinnen **G** bagud.
3. Isæt hæfteklammer/dykkerbånd, sådan som det er vist i figur 8 og 9.
4. Luk magasinet ved skubbe skinnen fremad, indtil den låses.

FJERN HÆFTEKLAMMER/DYKKERE FRA MAGASINET

1. Tryk på magasinlåset **F** for at frigøre det fra hæftedelen.
2. Skub skinnen **G** bagud.
3. Fjern hæfteklammer/dykkerer fra magasinet.
4. Luk magasinet.

BETJENING

HÆFTNING/SØMNING

1. Kontroller, at værktøjet er i god stand.

2. Drej drejeknappen **A** for at justere slagstyrke / slagdybde (Figur 5).
3. Pres sikringen **E** mod emnet med et fast tryk, indtil den er skubbet nogle få millimeter ind (Figur 6).
4. Tryk kortvarigt på udløseren **B**, og slip derefter igen (Figur 7).
5. Udløseren **B** er låst, når du ikke trykker sikringen mod emnet, og det forhindrer, at der sker en utilsigtet betjening.

BETJENINGSVEJLEDNING FOR LADER

Brug ikke værktøjet under opladningen.

1. Tag batteriet ud af værktøjet.
2. Tilslut opladningspunktet **J** på laderen til stikket **I** på batteriet (Figur 10).
3. Tilslut laderen **K** til strømforsyningen. → Lysdioden **L** på laderen bliver rød under opladningen (Figur 10).
4. Når batteriet er fuldt opladet, bliver laderens lysdiode **L** grøn (Figur 10).
5. Tag stikket **J** ud af stikdåsen **I**, og tag laderen **K** ud af stikkontakten.
 - Oplad kun ved en omgivende temperatur mellem 10-50 °C.
 - Under opladningen kan laderen blive varm: Dette er normalt.
 - Opbevar ikke batteriet på steder, hvor temperaturen kan overstige 50 °C.

BEMÆRK: Den bedste ydelse opnås ved at trykke værktøjet mod arbejdsemnet.

BEMÆRK: Ved fastsiddende hæfteklammer eller dykker, skal du læse vedligeholdelsesafsnittet. FORSØG IKKE at aktivere værktøjet igen for at fjerne blokeringen, da dette kan beskadige værktøjet.

BEMÆRK: Ved anvendelse kan værktøjet føles varmt. Dette er normalt, men hvis værktøjet føles overdrevent varmt, må det ikke anvendes, før det er afkølet.

BEMÆRK: Hæftepistolen må kun anvendes til de foreskrevne formål. Dette værktøj er udelukkende beregnet til privat brug i forbindelse med sammenhæftning af træ, karton, isoleringsmaterialer, stof, folie, læder og lignende materialer på overflader bestående af træ eller materialer svarende til træ.

BEMÆRK: Brug kun værktøjet med det specifikke angivne batteri.

VEDLIGEHOLDELSE

STANDARDVEDLIGEHOLDELSE

1. Kontroller alle skruer, og spænd dem om nødvendigt.
2. Hold alle udluftningsåbninger fri for støv og snavs.
3. Fjern batteriet, før værktøjet rengøres.
4. Rengør værktøjet med en tør eller fugtig klud. Anvend ALDRIG opløsningsmidler.
5. Hold magasinkanalen ren.
6. UNDLAD at smøre dele med olie eller fedt.
7. Kontroller, at hæftepistolen ikke er beskadiget. Udskift eller reparer før ibrugtagning.

SÅDAN FJERNES EN FASTSIDDENDE HÆFTEKLAMME/DYKKER

1. Tryk på magasinlåset **F** for at frigøre det fra hæftedelen.
2. Skub skinnen **G** bagud.
3. Tag de løse hæfteklammer/dykkere ud af magasinet.
4. Brug den skarpe ende af en nål til at fjerne fastsiddende hæfteklammer/dykkere.



ADVARSEL!

UNDLAD at ændre dele på hæftepistolen eller at fastgøre specielle opspændinger. Det kan medføre legemsbeskadigelse.

Hvis værktøjet/opladeren skulle være fejlbehæftet på trods af den omhu, der er udvist under fremstillings- og testprocedurene, skal reparationen udføres på et center for eftersalgsservice for Rapid.



MILJØ

Særskilt opsamling. Bortskaf ikke elværktøj i almindeligt husholdningsaffald! I henhold til det europæiske direktiv 2012/19/EF om bortskaffelse af elektrisk og elektronisk udstyr.

- Når værktøjet skal udskiftes, eller hvis det ikke længere er brugbart, skal det bringes til en genbrugsstation.
- Batteri: Batterierne kan genbruges. Batteriet kan genoplades mange gange. Når batteriet er ved at være brugt, skal det afledes helt, tages ud af værktøjet og afleveres på en lokal genbrugsstation.

BTX530 / BTX140

Oversættelse av originalinstruksjonene



Overholder relevante EU-direktiver



GENERELLE SIKKERHETSANVISNINGER FOR ELEKTROVERKTØY

ADVARSEL!! Les alle sikkerhetsadvarsler, instruksjoner, illustrasjoner og spesifikasjoner som følger med dette verktøyet. Hvis du ikke følger alle instruksjonene som er



oppført nedenfor, kan dette føre til elektrisk støt, brann og/eller alvorlig skade.



Oppbevar alle advarsler og instruksjoner for senere referanse.

Betegnelsen "elektroverktøy" i advarslene henviser til strømdrevet elektroverktøy (med ledning) eller batteridrevet elektroverktøy (uten ledning).

1) SIKKERHET PÅ ARBEIDSOMRÅDET

- Arbeidsområdet må holdes rent og godt belyst.** Det kan lett oppstå ulykker på rotete eller mørke arbeidsområder.
- Ikke bruk elektroverktøyet i eksplosjonsfarlige omgivelser, for eksempel i nærheten av brennbare væsker, gasser eller støv.** Det kan komme gnister fra elektroverktøyet som kan antenne støv eller gasser.
- Hold barn og andre personer unna når elektroverktøyet brukes.** Hvis du blir forstyrret under arbeidet kan du miste kontrollen over maskinen.

2) ELEKTRISK SIKKERHET

- Støpslet på maskinen må passe inn i stikkontakten.** Støpslet må ikke forandres på noen som helst måte. Ikke bruk adapterstøpsler sammen med jordede elektroverktøy. Bruk av ikke-endrede støpsler og egnede stikkontakter reduserer faren for elektrisk støt.
- Unngå kroppskontakt med jordede overflater slik som rør, radiatorer, komfyrer og kjøleskap.** Det er større fare for elektrisk støt dersom kroppen din er jordet.
- Ikke utsett elektroverktøyet for regn eller fuktighet.** Dersom det kommer vann i elektroverktøyet øker faren for elektrisk støt.
- Ikke skad ledningen.** Ikke bruk ledningen til andre formål, f.eks. til å bære maskinen, henge den opp eller trekke den ut av stikkontakten. Hold ledningen unna varme, olje, skarpe kanter eller maskindeler som beveger seg. Skadde eller flokede ledninger øker faren for elektrisk støt.
- Når du arbeider utendørs med et elektroverktøy, må du kun bruke en skjøteledning som er godkjent til utendørs bruk.** Bruk av en skjøteledning som er egnet for utendørs bruk vil redusere faren for elektrisk støt.
- Hvis det ikke kan unngås å bruke elektroverktøyet i fuktige omgivelser, må du bruke en jordfeilbryter.** Bruk av en jordfeilbryter vil redusere faren for elektrisk støt.

3) PERSONSIKKERHET

- Vær årvåken, oppmerksom på hva du gjør og gå fornuftig frem når du bruker et elektroverktøy.** Ikke bruk maskinen når du er trett eller påvirket av narkotika, alkohol eller medikamenter. Et øyeblikks uoppmerksomhet ved bruk av maskinen kan føre til alvorlige personskader.
- Bruk personlig verneutstyr og husk alltid å bruke vernebriller.** Bruk av personlig verneutstyr som støvmaske, sklisikre arbeidssko, hjelm eller hørselsvern – avhengig av type og bruk av elektroverktøy – reduserer faren for personskader.
- Unngå å starte elektroverktøyet ved en feiltagelse.** Pass på at av/på-bryteren er slått av før du kobler elektroverktøyet til en strømkilde og/eller batteripakke, eller før du løfter det opp eller bærer det. Hvis du holder fingeren på bryteren når du bærer elektroverktøyet eller kobler det til strøm, kan dette føre til uhell.
- Fjern eventuelt innstillingsverktøy eller skrunøkler før du slår på elektroverktøyet.** Et verktøy eller en nøkkel som befinner seg i en roterende maskindel kan føre til personskader.

- e) **Ikke strekk deg for langt. Sørg alltid for å ha godt fotfeste og god balanse til enhver tid.** Dette vil gi deg bedre kontroll over elektroverktøyet i eventuelt uventede situasjoner.
- f) **Kle deg riktig. Ikke bruk løstsittende klær eller smykker.** Hold hår, tøy og hansker unna bevegelige deler. Løstsittende tøy, smykker eller langt hår kan vikle seg inn i bevegelige deler.
- g) **Hvis det kan monteres en støv- og oppsamlingsenhet på maskinen, forviss om at disse kobles til og brukes på riktig måte.** Bruk av en støvsamlingsenhet kan redusere farer tilknyttet støv.
- h) **Ikke la kunnskap du har fra hyppig bruk av verktøy gi deg en falsk følelse av sikkerhet, slik at du ignorerer verktøyets sikkerhetsprinsipper.** En uforsiktig handling kan forårsake alvorlig skade innen en brøkdel av et sekund.

4) BRUK OG VEDLIKEHOLD AV ELEKTROVERKTØY

- a) **Ikke overbelast maskinen.** Bruk et elektroverktøy som passer til arbeidsoppgaven som skal utføres. Med riktig elektroverktøy vil oppgavene den er konstruert for utføres bedre og tryggere.
- b) **Ikke bruk elektroverktøyet dersom av/på-bryteren er defekt.** Et elektroverktøy som ikke lenger kan slås av eller på er farlig, og må repareres.
- c) **Koble elektroverktøyet fra strømkilden eller batteripakken før du foretar justeringer, bytter tilbehør eller legger det bort etter bruk.** Disse sikkerhetstiltakene vil redusere faren for at elektroverktøyet startes ved et uhell.
- d) **Oppbevar elektroverktøyet utilgjengelig for barn, og la det aldri brukes av noen som ikke er kjent med det eller som ikke har lest disse instruksjonene.** Elektroverktøy er farlige hvis de brukes av uerfarne personer.
- e) **Vedlikehold elektroverktøy og tilbehør.** Se etter skjevinnstilling eller binding av bevegelige deler, beskadigede deler og eventuelle andre forhold som kan påvirke driften av elektroverktøyet. Hvis elektroverktøyet er skadd må det repareres før bruk. Dårlig vedlikehold av elektroverktøy er årsaken til en rekke ulykker.
- f) **Hold skjæreverktøy skarpt og rent.** Riktig vedlikeholdt skjæreverktøy med skarpe kanter vil ikke sette seg fast så lett, samtidig som det er lettere å styre det.
- g) **Bruk elektroverktøyet samt tilbehør og verktøy o.l. i henhold til disse instruksjonene.** Ta hensyn til arbeidsforholdene og oppgavene som skal utføres. Bruk av elektroverktøy til andre formål enn det som er angitt kan føre til farlige situasjoner.
- h) **Hold håndtakene og gripeoverflatene tørre, rene og frie for olje og fett.** Glatte håndtak og gripeoverflater gir ikke sikker håndtering og kontroll over verktøyet i uventede situasjoner.

5) BEHANDLING OG BRUK AV DET BATTERIDREVNE VERKTØYET

- a) **Lad kun opp batteriet i ladeapparater som er anbefalt av produsenten.** Det oppstår brannfare hvis et ladeapparat som er egnet til en bestemt type batterier, brukes med andre batterier.
- b) **Bruk derfor kun riktig type batterier for elektroverktøyene.** Bruk av andre batterier kan medføre skader og brannfare.
- c) **Når batteripakken ikke er i bruk, må den holdes borte fra andre metallgjenstander som binders, mynter, nøkler, spiker, skruer eller andre små metallgjenstander som kan opprette en forbindelse fra en terminal til en annen.** En kortslutning mellom batterikontaktene kan føre til forbrenninger eller brann.
- d) **Ved gal bruk kan det lekke væske ut av batteriet. Unngå**

kontakt med denne væsken. Ved tilfeldig kontakt må det skylles med vann. Hvis det kommer væske i øynene, må du i tillegg oppsøke en lege. Batterivæske som renner ut kan føre til irritasjoner på huden eller forbrenninger.

- e) **Ikke bruk en batteripakke eller et verktøy som er skadet eller har blitt modifisert.** Skadde eller modifiserte batterier kan føre til en uforutsigbar oppførsel som medfører brann, eksplosjon eller fare for skade.
- f) **Ikke utsett batteripakken eller verktøyet for brann eller for høy temperatur.** Eksponering for brann eller temperaturer over 130 °C kan forårsake eksplosjon.
- g) **Følg alle ladeanvisninger og ikke lad batteripakken eller verktøyet utenfor temperaturområdet som er angitt i instruksjonene.** Feil lading eller lading ved temperaturer utenfor de spesifiserte områdene kan skade batteriet og øke faren for brann.

6) SERVICE

- a) **Elektroverktøyet skal kun repareres av kvalifiserte personer og kun ved bruk av originale, identiske reservedeler.** Elektroverktøyetets sikkerhet vil på denne måten opprettholdes.
- b) **Ikke forsøk å reparere skadde batterier.** Reparasjon av batteripakker skal kun utføres av produsenten, eller autoriserte tjenesteleverandører.

SIKKERHETSANVISNINGER FOR STIFTEMASKIN

- **Anta alltid at maskinen inneholder stifter.** Uforsiktig bruk av stiftepistolen kan føre til en uventet utskyting av stifter som kan skade deg.
- **Ikke pek maskinen mot deg selv eller andre personer i nærheten.** Hvis du trykker på avtrekkeren ved et uhell, kan en stift skytes ut og forårsake personskade.
- **Ikke sett i gang stiftemaskinen med mindre den er fast plassert mot materialet som skal stiftes.** Hvis maskinen ikke er i kontakt med materialet som skal stiftes, kan stiften slynges ut i en annen retning.
- **Koble stiftemaskinen fra strømkilden dersom en stift har kilt seg fast i den.** Hvis stiftemaskinen er tilkoplest strøm, kan den aktiveres ved et uhell mens stiften fjernes.
- **Vær forsiktig når du fjerner en stift som har kilt seg fast.** Mekanismen kan være under trykk og stiften kan skytes ut med stor kraft mens du forsøker å frigjøre den.
- **Ikke bruk denne stiftemaskinen til å feste elektriske kabler.** Den er ikke konstruert for montering/festing av elektriske kabler, og kan derfor skade isolasjonen rundt kabelen. Dette kan igjen føre til elektriske støt eller brannfare.

TEKNISKE SPESIFIKASJONER

Batteristiftemaskin, modellnummer	BTX530	BTX140
Stiftetype	Rapid 53	Rapid 140
Stiftelengde	6-14 mm	6-14 mm
Magasinkapasitet stifter, maks	112 stk	66 stk
Dykkertype, lengde	Rapid T8, 15-30 mm	
Magasinkapasitet dykkerter, maks	66 stk	
Verktøydimensjoner (inkl. batter) H x V x L	195 x 60 x 220 mm	
Maskinvekt	1,360 kg	
Batteri		
Type, Spenning	Li-Ion, 7,2 V	
Kapasitet	1300 mAh	

Ladetid	90 minutter
Skudd per ladning, maks	≈ 1500 skudd
Hastighet, maksimal kontinuerlig	20 skudd/min
Lader	
Inndata	100-240 V, 50-60 Hz
Resultat	8,4 V cc
Strøm	1000 mA

STØY

A-vektet lydtryknivå $L_pA=79,3$ dB(A), usikkerhet $K=3$ dB(A)

A-vektet lydtryknivå $L_wA=90,3$ dB(A), usikkerhet $K=3$ dB(A)

Det anbefales at operatøren bruker hørselsvern.

VIBRASJON

Total vibrasjonsverdi $=1,214$ m/s², usikkerhet $K=1,5$ m/s²

Den totale angitte vibrasjonsverdien er målt i henhold til en standard testmetode, og kan brukes til å sammenlikne ett verktøy med et annet.

Den totale angitte vibrasjonsverdien kan også brukes i en innledende vurdering av eksponering.

ADVARSEL

Vibrasjonen under faktisk bruk av elektroverktøyet kan variere fra den angitte totalverdien, avhengig av hvordan maskinen brukes.

Det er nødvendig å identifisere sikkerhetstiltak for å beskytte operatøren, basert på en estimering av eksponeringen under de aktuelle bruksforholdene (med hensyn til alle deler av driftssyklusen, for eksempel tidspunktene når verktøyet er avslått og når det kjører på tomgang, i tillegg til utlærtiden).



MONTERING

DEFINISJONER (Figur 1, 2 og 10)

- | | | |
|---------------------------------|----------------------------|---------------------------|
| A : Strømjusteringsknapp | B : Utløser | C : Batteripakke |
| D : Opplåsningsknapper | E : Sikkerhetsbøyle | F : Magasinlås |
| G : Skinne | H : Magasin | I : Stikkontakt |
| J : Ladepunkt | K : Lader | L : Lysdiode/lampe |

FJERNING OG TILKOBLING AV BATTERIET

1. Fjern batteriet **C** ved å trykke på låseknappen **D** og skyve batteriet ut av maskinen (Figur 3).
2. Når du skal koble til batteriet, skyver du det i motsatt retning til du hører et klikk (Figur 4).

FYLLE MAGASINET MED STIFTER/DYKKERTER

1. Trykk magasinlåseren **F** for å løsne det fra stiftepestolen.
2. Skyv skinnen **G** bakover.
3. Sett inn stifte-/dykkertbåndet som vist på figur 8 og 9.
4. Lukk magasinet ved å skyve skinnen fremover til den låses.

FJERNE STIFTER/DYKKERTER FRA MAGASINET

1. Trykk magasinlåseren **F** for å løsne det fra stiftepestolen.
2. Skyv skinnen **G** bakover.
3. Fjern stifter/dykkert fra magasinet.
4. Lukk magasinet.

BRUK

STIFTING/SPIKRING

1. Forviss om at stiftemaskinen er i god bruksmessig stand.
2. Vri på strømjusteringsknappen **A** for å justere penetreringsdybden til stiftene/dykkertene etter behov (figur 5).
3. Trykk sikkerhetsbøylen **E** bestemt mot arbeidsflaten til den skyves inn noen millimeter (Figur 6).
4. Trykk kort på utløseren **B** og slipp den (Figur 7).
5. Utløseren **B** forblir låst så lenge sikkerhetsbøylen ikke trykkes mot arbeidsflaten, og forhindrer med det utilsiktede bruk.

BRUKSANVISNING FOR LADEREN

Ikke bruk verktøyet mens lading pågår.

1. Ta batteriet ut av verktøyet.
2. Koble ladepunktet **J** for laderen inn i batteristicket **I** på batteriet (figur 10).
3. Koble laderen **K** til strømmettet. → Lysdioden **L** på laderen lyser rødt under ladingen (Figur 10).
4. Når batteriet er oppladet, lyser lysdioden **L** på laderen grønt (Figur 10).
5. Trekk støpselet **I** ut av stikkontakten **I** og trekk ut laderen **K** fra strømtilførselen.
 - Må bare lades ved en romtemperatur på mellom 10°C og 50°C.
 - Laderen kan bli varm mens den lader: dette er normalt.
 - Ikke oppbevar batteriet på steder der temperaturen kan overstige 50°C.

MERK: Trykk verktøyet mot materialet som skal stiftes for å oppnå bedre resultater.

MERK: Hvis en stift eller dykkert kiler seg fast, les avsnittet om vedlikehold. Du må IKKE stifte på nytt i et forsøk på å fjerne stiften/dykkerten som har kilt seg fast, da dette vil skade maskinen.

MERK: Verktøyet kan bli varm under bruk. Dette er normalt. Hvis maskinen derimot blir svært varm, må du la den avkjøles før du fortsetter å bruke den.

MERK: Stiftemaskinen skal kun brukes til de formålene den er beregnet for. Dette verktøyet er konstruert for å stifte trevirke, papp, isolerende materiale, stoff, folier, lær og lignende materialer på overflater i tre eller materialer som ligner på tre. Bare for privat bruk.

MERK: Verktøyet må bare brukes med spesielt utpekt batteripakke.

VEDLIKEHOLD

STANDARD VEDLIKEHOLD

1. Kontroller alle skruer, og stram til om nødvendig.
2. Pass på at alle ventiler er frie for støv og smuss.
3. Fjern batteripakken før verktøyet rengjøres.
4. Rengjør maskinen ved bruk av en tørr eller fuktig klut. Bruk ALDRI noen form for løsemidler.
5. Hold magasinkanalen ren.
6. IKKE smør noen av delene på maskinen.
7. Kontroller at stiftmaskinen ikke er skadd. Bytt deler eller reparer den før bruk.

FJERNE EN STIFT / DYKKERT SOM HAR KILT SEG FAST

1. Trykk magasinlåseren **F** for å løse det fra stiftespistolen.
2. Skyv skinnen **G** bakover.
3. Ta ut de løse stiftene / dykkertene fra magasinet.
4. Bruk en spiss gjenstand til å fjerne stiftene / dykkertene som har kilt seg fast.

ADVARSEL!!

Du må IKKE endre noen deler på denne stiftmaskinen eller fest spesialutstyr på den. Dette kan føre til personskade.

Hvis verktøyet / laderen mot all formodning skulle svikte, må reparasjon utføres av et kundeservicesenter for Rapid.



MILJØ

Spesialavfall. Elektroverktøy skal ikke kastes sammen med husholdningsavfall! I henhold til EU-direktiv 2012/19/EU om kassert elektrisk og elektronisk utstyr.

- Når maskinen må skiftes ut eller ikke lenger kan brukes, må du bruke returordningen for spesialavfall og levere den inn på et egnet sted.
- Batteri: batteriene kan resirkuleres.
Batteriet kan lades mange ganger. Mot slutten av levetiden skal batteriet lades helt ut, og deretter fjernes fra verktøyet og bringes til den lokale gjenbruksstasjonen.



BTX530 / BTX140

Alkuperäinen ohjeiden käännös



Täyttää sovellettävien EU-direktiivien vaatimukset



SÄHKÖTYÖKALUJA KOSKEVIA YLEISIÄ TURVALLISUUSVAROITUKSIA

VAROITUS!! Lue kaikki tämän sähkötyökalun mukana toimitetut turvallisuusvaroitukset, ohjeet, kuvat ja tekniset tiedot. Alla lueteltujen ohjeiden laiminlyönti voi johtaa sähköiskuun, tulipaloon ja/tai vakavaan loukkaantumiseen.

Säilytä varoitukset ja ohjeet myöhempää käyttöä varten.

Varoituksissa käytetty käsite "sähkötyökalu" tarkoittaa verkko-käyttöisiä sähkötyökaluja (verkkojohdolla) ja akkukäyttöisiä sähkötyökaluja (ilman verkkojohtoa).

1) TYÖPAIKAN TURVALLISUUS

- a) **Pidä työskentelyalue siistinä ja hyvin valaistuna.** Työpöytien epäjärjestys ja hämärät alueet voivat aiheuttaa tapaturmia.
- b) **Älä käytä työkalua räjähdysvaarallisissa tiloissa, kuten heliposti syttyvien nesteiden, kaasujen tai pölyn läheisyydessä.** Sähkötyökalut muodostavat kipinöitä, jotka saattavat sytyttää pölyn tai höyryä.
- c) **Pidä sivulliset ja lapset loitolla sähkötyökalua käyttäessäsi.** Häiriötekijät voivat haitata keskittymistäsi.

2) SÄHKÖTURVALLISUUS

- a) **Sähkötyökalun pistotulpan on sovittava pistorasiaan.** Älä muuta pistotulppaa millään tavalla. Älä käytä sovittimia maadoitettujen sähkötyökalujen kanssa. Alkuperäisessä kunnossa olevat pistotulpat ja sopivat pistorasiat vähentävät sähköiskun vaaraa.
- b) **Vältä koskettamasta maadoitettuja pintoja, kuten putkia,**



pattereita, liesiä tai jääkaappeja. Sähköiskun vaara kasvaa, jos kehosi on maadoitettu.

- c) **Älä altista sähkötyökaluja sateelle tai kosteudelle.** Veden pääsy sähkötyökalun sisään lisää sähköiskun vaaraa.
- d) **Älä käytä verkkojohtoa väärin.** Älä käytä johtoa sähkötyökalun kantamiseen, vetämiseen tai pistotulpan irrottamiseen pistorasiasta. Pidä johto loitolla kuumuudesta, öljystä, terävistä reunoista tai liikkuvista osista. Vahingoittuneet tai sotkeutuneet johdot lisäävät sähköiskun vaaraa.
- e) **Kun käytät sähkötyökalua ulkona, käytä ulkokäyttöön soveltuvaa jatkojohtoa.** Ulkokäyttöön soveltuvan jatkojohdon käyttö vähentää sähköiskun vaaraa.
- f) **Jos joudut käyttämään sähkötyökalua kosteassa ympäristössä, käytä maavuotokatkaisijaa.** Maavuotokatkaisijan käyttö vähentää sähköiskun vaaraa.

3) HENKILÖTURVALLISUUS

- a) **Pysy valppaana, kiinnitä huomiota työskentelyysi ja käytä terrettä järkeä käyttäessäsi sähkötyökalua.** Älä käytä sähkötyökalua väsyneenä tai huumeiden, alkoholin tai lääkkeiden vaikutuksen alaisena. Hetken tarkkaamattomuus sähkötyökalua käytettäessä saattaa aiheuttaa vakavan loukkaantumisen.
- b) **Käytä henkilönsuojaimia.** Käytä aina suojalaseja. Henkilökohtaisen suojarustuksen, kuten pölynaamarin, luistamattomien turvakkenkien, suojakypärän tai kuulonsuojaimien käyttö olojen mukaan vähentää loukkaantumisriskiä.
- c) **Vältä tahaton käynnistyminen.** Varmista, että kytkin on pois-asennossa, ennen kuin kytket työkalun virtalähteeseen ja/tai akkuun tai nostat tai kannat työkalua. Jos kannat sähkötyökalua sormi käynnistyskytkimellä tai kytket sähkötyökalun pistotulpan pistorasiaan käynnistyskytkimen ollessa käyntiasennossa, altistat itsesi tapaturmille.
- d) **Poista kaikki säätötyökalut ja ruuvitaltat, ennen kuin käynnistät sähkötyökalun.** Ruuvitaltta tai avain, joka sijaitsee laitteen pyöriässä osassa, voi aiheuttaa loukkaantumisen.
- e) **Älä kurkota.** Seiso aina tukevasti ja tasapainossa. Näin voit paremmin hallita sähkötyökalua odottamattomissa tilanteissa.
- f) **Pukeudu asianmukaisesti.** Älä käytä löysiä vaatteita tai koruja. Pidä hiukset, vaatteet ja käsineet etäällä liikkuvista osista. Väljät vaatteet, korut tai pitkät hiukset voivat tarttua liikkuviin osiin.
- g) **Jos pölynimu- ja keräilylaitteita voidaan asentaa, tarkista, että ne liitetään ja niitä käytetään oikealla tavalla.** Pölynimulaitteiston käyttö voi vähentää pölyn aiheuttamia vaaroja.
- h) **Vaikka käyttäisit työkaluja tottuneesti, älä tuudittaudu itsevarmuuteen äläkä jätä huomioimatta työkalujen turvalliseen käyttöön liittyviä perusperiaatteita.** Varomaton käyttö voi johtaa vakavaan loukkaantumiseen silmänräpäyksessä.

4) SÄHKÖTYÖKALUN KÄYTTÖ JA HOITO

- a) **Älä ylikuormita laitetta.** Käytä kyseiseen työhön tarkoitettua sähkötyökalua. Sopivaa sähkötyökalua käyttämällä työskentelet paremmin ja turvallisemmin tehoalueella, jolle laite on tarkoitettu.
- b) **Älä käytä sähkötyökalua, jota ei voi käynnistää tai sammuttaa käynnistyskytkimestä.** Sähkötyökalu, jota ei voi hallita käynnistyskytkimestä, on vaarallinen, ja se on korjattava.
- c) **Irrota pistotulppa virtalähteestä ja/tai akku sähkötyökalusta, ennen kuin teet säätöjä, vaihdat tarvikkeita tai laitat sähkötyökalun säilytykseen.** Nämä turvatoimet vähentävät sähkötyökalun tahattoman käynnistymisen vaaraa.

- d) **Säilytä sähkötyökalut poissa lasten ulottuvilta, kun työkaluja ei käytetä.** Älä anna sellaisten henkilöiden käyttää sähkötyökalua, jotka eivät tunne laitetta tai eivät ole lukeneet näitä käyttöohjeita. Sähkötyökalut ovat vaarallisia laitteita kokemattomille käyttäjille.
- e) **Sähkötyökalujen ja lisävarusteiden ylläpito.** Tarkista, liikkuvatko liikkuvat osat oikeaan suuntaan ja esteettömästi ja onko laitteessa rikkiäisiä osia tai muita ongelmia, jotka voivat vaikuttaa työkalun toimintaan. Jos työkalu on vaurioitunut, korjauta se ennen käyttöä. Monet tapaturmat johtuvat huonosti huolletuista sähkötyökaluista.
- f) **Pidä leikkuuterät terävinä ja puhtaina.** Huolellisesti hoidetut leikkuuterät, joiden leikkuureunat ovat teräviä, eivät tartu helposti kiinni ja niitä on helpompi hallita.
- g) **Käytä sähkötyökaluja, tarvikkeita, vaihtotyökaluja jne. näiden ohjeiden mukaisesti.** Huomioi työolosuhteet ja suoritettava toimenpide. Sähkötyökalun käyttö muuhun kuin sille määrättyyn tarkoitukseen saattaa aiheuttaa vaarallisia tilanteita.
- h) **Pidä kahvat ja tartuntapinnat kuivina, puhtaina ja vapaina öljystä sekä rasvasta.** Liukkaat kahvat ja tartuntapinnat estävät työkalun turvallisen käsittelyn ja hallinnan odottamattomissa tilanteissa.

5) AKKUKÄYTTÖISTEN TYÖKALUJEN HUOLELLINEN KÄSITTELY JA KÄYTTÖ

- a) **Lataa akku vain valmistajan suosittelemassa latauslaitteessa.** Latauslaite, joka soveltuu määrättyntyyppiselle akulle, saattaa muodostaa tulipalovaaran erilaista akkua ladattaessa.
- b) **Käytä sähkötyökalussa ainoastaan kyseiseen sähkötyökaluun tarkoitettua akkua.** Jonkin muun akun käyttö saattaa johtaa loukkaantumiseen ja tulipaloon.
- c) **Kun akku ei ole käytössä, pidä se etäällä muista metalliesineistä, kuten paperiliittimistä, kolikoista, avaimista, nauloista, ruuveista tai muista pienistä metalliesineistä, jotka voivat aiheuttaa oikosulun.** Akkukoskettimien välinen oikosulku saattaa aiheuttaa palovammoja tai johtaa tulipaloon.
- d) **Väärästä käytöstä johtuen akusta saattaa vuotaa nestettä.** Vältä koskettamasta nestettä. Jos nestettä vahingossa joutuu iholle, huuhtelee kosketuskohta vedellä. Jos nestettä pääsee silmiin, tarvitaan tämän lisäksi lääkärin apua. Akusta vuotava neste saattaa aiheuttaa ärsytystä ja palovammoja.
- e) **Älä käytä akkua, joka on vaurioitunut tai johon on tehty muutoksia.** Jos akut ovat vaurioituneet tai niihin on tehty muutoksia, ne voivat käyttäytyä odottamattomalla tavalla ja aiheuttaa tulipalon, räjähdysen tai loukkaantumisvaaran.
- f) **Älä altista akkua tai työkalua avotulelle tai hyvin kuumille lämpötiloille.** Altistaminen avotulelle tai yli 130 °C:n lämpötiloille voi aiheuttaa räjähdysen.
- g) **Noudata kaikkia latausohjeita äläkä lataa akkua tai työkalua ohjeissa mainitun lämpötila-alueen ulkopuolella.** Virheellinen tai ohjelämpötilojen ulkopuolella tapahtuva lataus voi vahingoittaa akkua ja lisätä tulipalovaaraa.

6) HUOLTO

- a) **Anna koulutetun ammattilaisen huoltaa sähkötyökalusi, ja hyväksy vain alkuperäiset varaosat.** Näin varmistat, että sähkötyökalu pysyy turvallisena.
- b) **Älä koskaan huolla vaurioituneita akkuja.** Akkujen huolto on jätettävä valmistajan tai valtuutettujen palveluntarjoajien suoritettavaksi.

NITOJAN TURVALLISUUSOHJEET

- **Oleta aina, että työkalussa on sinkilöitä.** Nitojan huoleton käyttö voi aiheuttaa sinkilöiden odottamattoman laukaisun ja henkilövahingon.
- **Älä kohdista työkalua kohti itseäsi tai lähellä olijoita.** Odottamaton laukaisu vapauttaa sinkilän, mikä voi aiheuttaa vamman.
- **Älä käytä työkalua, jolle sitä ole asetettu tukevasti työstettävää kappaletta vasten.** Jos työkalu ei kosketa työkappaletta, sinkilä voi singota pois päin kohteesta.
- **Irrota työkalu virtalähteestä, kun sinkilä juuttuu työkaluun.** Juuttunutta sinkilää irrotettaessa nitoja voi aktivoitua vahingossa, jos se on kytkettynä sähkövirtaan.
- **Ole varovainen irrottaessasi juuttunutta sinkilää.** Mekanismissa voi olla painetta, ja juuttunut sinkilä voi irrota voimalla.
- **Älä käytä nitojaa sähköjohtojen kiinnitykseen.** Sitä ei ole suunniteltu sähköjohtojen asennukseen, ja se voi vaurioittaa sähkökaapelin eristettä ja aiheuttaa siten sähköiskun tai tulipalon vaaran.

TEKNISET TIEDOT

Akkukäyttöinen sinkiläpistooli, mallinumero	BTX530	BTX140
Niittityyppi	Rapid 53	Rapid 140
Niitin pituus	6-14 mm	6-14 mm
Lippaan kapasiteetti, niittejä enint.	112 kpl	66 kpl
Nastatyyppi, pituus	Rapid T8, 15-30 mm	
Lippaan kapasiteetti, sinkilöitä enint.	66 kpl	
Työkalun mitat (sis. akku) K x L x P	195 x 60 x 220 mm	
Paino	1,360 kg	
Akku		
Tyyppi, jännite	Li-Ion, 7,2 V	
Kapasiteetti	1300 mAh	
Latausaika	90 min	
Laukausta/lataus, enint.	n. 1 500 laukausta	
Nopeus, jatkuva enintään	20 laukausta/min	
Laturi		
Tulo	100-240 V, 50-60 Hz	
Lähtö	8,4 V cc	
Teho	1000 mA	

ÄÄNITASO

A-painotettu äänenpainetaso $L_pA=79,3$ dB(A), vaihtelu $K = 3$ dB(A)

A-painotettu äänenpainetaso $L_wA=90,3$ dB(A), vaihtelu $K = 3$ dB(A)

Käyttäjää koskeva suositus kuulosuojainten käytölle.

TÄRINÄ

Tärinän kokonaisarvo $=1,214$ m/s², vaihtelu $K=1.5$ m/s²

Ilmoitettu tärinän kokonaisarvo on mitattu vakiotestimenetelmän mukaan, ja sitä voidaan käyttää vertailtaessa yhtä työkalua toiseen.

Ilmoitettua tärinän kokonaisarvoa voi käyttää myös altistuksen alustavaan arviointiin.

VAROITUS

Tärinätaso sähkötyökalun todellisessa käytössä voi poiketa ilmoitetusta kokonaisarvosta sen mukaan, miten työkalua käytetään.

Käyttäjän turvallisuuden takaamiseksi on yksilöitävä turvatoimet, jotka perustuvat altistukseen todellisissa käyttöolosuhteissa (ottaen huomioon kaikki käyttösyklin osa-alueet, mukaan lukien ajat, jolloin työkalu on kytketty pois päältä ja kun se on käyttövalmiina laukaisujan lisäksi).



KOKOAMINEN

MÄÄRITELMÄT (Kuva 1, 2 ja 10)

A : Iskuvoimansäädin

D : Akunlukitus

G : Kisko

J : Latauspistoke

B : Liipaisin

E : Turvakytin

H : Sinkiläkanava

K : Laturi

C : Akku

F : Säiliön salpa

I : Latausliitin

L : Latauksenmerkivalo

AKUN IRROTUS JA LIITTÄMINEN

1. Irrota akku **C** painamalla avauspainikkeita **D** ja liuuttamalla akku pois laitteesta (Kuva 3).

2. Aseta akku liu'uttamalla sitä vastakkaiseen suuntaan, kunnes liitännät napsahtavat paikalleen (Kuva

4).

NIITTEN/NASTOJEN LISÄÄMINEN SÄILIÖÖN

1. Irrota lipas pistoolin rungosta painamalla lippaan salpaa **F**.
2. Liu'uta kiskoa **G** taaksepäin.
3. Aseta niitti-/sinkiläkampa kuvien 8 ja 9 mukaisesti.
4. Sulje säiliö työntämällä kiskoa eteenpäin, kunnes se lukittuu.

NIITTEN/NASTOJEN POISTAMINEN SÄILIÖSTÄ

1. Irrota lipas pistoolin rungosta painamalla lippaan salpaa **F**.
2. Liu'uta kiskoa **G** taaksepäin.
3. Poista niitit/nastat säiliöstä.
4. Sulje säiliö.

KÄYTTÖ

NIITTAUS/NAULAUS

1. Varmista, että työkalu on käyttökunnossa.
2. Säädä sinkilöiden/naulojen syvyyttä kääntämällä iskuvoimansäädintä **A** (Kuva 5).
3. Paina turvakytintä **E** lujasti työkohdetta vasten, kunnes se painuu sisään muutaman millimetrin (Kuva 6).
4. Paina liipaisinta **B** lyhyesti ja vapauta (Kuva 7).
5. Liipaisin **B** pysyy lukittuna niin kauan kuin turvasalpaa ei paineta työkohdetta vasten, mikä estää tahattoman käytön.

LATURIN KAYTTOOHJEET

Älä käytä työkalua lataamisen aikana.

1. Irrota akku työkalusta.
2. Liitä laturin latausliitin **J** akun liitäntään **I** (kuva 10).
3. Liitä laturi **K** verkkovirtaan. → Laturin LED-merkkivalo **L** palaa punaisena lataamisen aikana (Kuva 10).
4. Kun akku on ladattu täyteen, laturin LED-merkkivalo **L** muuttuu vihreäksi (Kuva 10).
5. Irrota tulppa **J** liitännästä **I** ja irrota laturi **K** verkkovirrasta.
 - Lataa akku vain, kun ympäristön lämpötila on +10–50 °C.
 - Laturi voi lämmetä lataamisen aikana. Se on normaalia.
 - Älä säilytä akkua paikassa, jossa lämpötila voi ylittää 50 °C.

HUOMAUTUS: Paina työkalu työstökappaletta vasten parhaan mahdollisen tehon varmistamiseksi.

HUOMAUTUS: Jos niitti tai nasta jää jumiin, lue huoltoa koskeva osio. ÄLÄ laukaise työkalua uudelleen tukoksen selvittämiseksi, sillä työkalu voi vaurioitua.

HUOMAUTUS: Käytön aikana työkalu voi lämmitä. Tämä on normaalia, mutta jos työkalu alkaa tuntua kuumalta, keskeytä laitteen käyttö, kunnes se jäähtyy.

HUOMAUTUS: Nitojaa saa käyttää vain sen nimenomaiseen

käyttötarkoitukseen. Tämä työkalu on tarkoitettu puun, pahvin, eristysmateriaalin, kankaan, folion, nahan ja vastaavien materiaalien nitomiseen puupinnoille tai puuta vastaaville materiaaleille. Vain yksityiskäyttöön.

HUOMAUTUS: Käytä työkalua vain sille tarkoitettun akun kanssa.

HUOLTO

VAKIOHUOLTO

1. Tarkista kaikki ruuvit ja kiristä ne tarvittaessa.
2. Pidä kaikki tuuletusaukot puhtaina pölystä ja liasta.
3. Irrota akku työkalusta ennen puhdistusta.
4. Puhdista työkalu kuivalla tai kostealla liinalla. ÄLÄ käytä liuottimia.
5. Pidä säiliön ura puhtaana.
6. ÄLÄ öljyä tai rasvaa osia.
7. Varmista, ettei nitoja ole vaurioitunut. Vaihda tai korjaa ennen käyttöä.

JUUTTUNEEN NIITIN TAI NASTAN IRROTTAMINEN

1. Irrota lipas pistoolin rungosta painamalla lippaan salpaa **F**.
2. Liu'uta kiskoa **G** taaksepäin.
3. Poista irralliset niitit/nastat säiliöstä.
4. Irrota jumituneet niitit/sinkilät käyttämällä teräväkärkistä työkalua.

VAROITUS!

ÄLÄ muuta nitojan osia äläkä käytä erikoiskiinnikkeitä. Tämä voi aiheuttaa henkilövahingon. Jos työkalussa/laturissa ilmenee vika valmistus- ja testaustöiden huoletuksesta huolimatta, se on korjautettava Rapid huoltokeskuksessa.



YMPÄRISTÖ

Erilliskeräys. Älä hävitä sähkötyökaluja talousjätteen mukana! Euroopan unionin sähkö- ja elektroniikkaromua koskevan direktiivin 2012/19/EY mukaisesti.

▪ Kun työkalu on vaihdettava uuteen tai sille ei ole enää käyttöä, se on toimitettava erilliskeräykseen kierrätystä varten.

▪ Akku: akut ovat kierrätettäviä.

Akku voidaan ladata useita kertoja. Kun akku on käyttöikänsä lopussa, anna sen tyhjentää kokonaan, irrota se työkalusta ja toimita se paikalliseen kierrätyspisteeseen.



Zgodny z odpowiednimi dyrektywami UE

**OGÓLNE PRZEPISY BEZPIECZEŃSTWA DLA ELEKTRONARZĘDZI**

OSTRZEŻENIE!! Zapoznaj się ze wszystkimi ostrzeżeniami dotyczącymi bezpieczeństwa, instrukcjami, ilustracjami i specyfikacjami dostarczonymi z tym elektronarzędziem. Nieprzestrzeganie poniższych instrukcji może spowodować porażenie prądem, pożar i / lub poważne obrażenia.



Prosimy zachować wszystkie ostrzeżenia i instrukcje na przyszłość.

Pojęcie „elektronarzędzie” odnosi się do elektronarzędzi zasilanych energią elektryczną z sieci (z przewodem zasilającym).

1) BEZPIECZEŃSTWO MIEJSCA PRACY

- a) **Miejsce pracy należy utrzymywać w czystości oraz należy zapewnić odpowiednie oświetlenie.** Zagrażone oraz ciemne stanowiska robocze stanowią zagrożenie.
- b) **Nie stosować elektronarzędzi w środowisku wybuchowym, np. w obecności palnych cieczy, gazów czy pyłu.** Elektronarzędzia wytwarzają iskry, które mogą podpalić ten pył lub opary.
- c) **Podczas pracy z narzędziami elektrycznymi, osoby postronne, dzieci oraz odwiedzający powinni znajdować się w bezpiecznej odległości.** Rozkojarzenie może doprowadzić do utraty kontroli.

2) BEZPIECZEŃSTWO ELEKTRYCZNE

- a) **Wtyczka urządzenia musi pasować do gniazda.** Nie wolno w żaden sposób modyfikować wtyczki. Nie wolno stosować wtyczek adapterowych razem z uziemionymi urządzeniami. Niezmienione wtyczki i pasujące gniazda zmniejszają ryzyko porażenia prądem.
- b) **Unikać kontaktu ciała z uziemionymi powierzchniami takimi jak rury, grzejniki, piece i lodówki.** Istnieje zwiększone ryzyko porażenia prądem, gdy ciało jest uziemione.
- c) **Urządzenia nie wolno wystawiać na działanie deszczu i wilgoci.** Przedostawanie się wody do elektronarzędzia zwiększy zagrożenie porażenia elektrycznego.
- d) **Nie używać kabla do innych celów.** Nie wolno przenosić ciągnąć urządzenia ani wyciągać wtyczki z gniazda za pomocą kabla. Należy trzymać kabel z daleka od wysokiej temperatury, oleju, ostrych krawędzi lub ruchomych części. Uszkodzone lub poplątane kable zwiększają ryzyko porażenia prądem.
- e) **Podczas stosowania elektronarzędzi na zewnątrz należy stosować kabel przedłużający przystosowany do pracy na zewnątrz.** Stosowanie przewodu przeznaczonego do pracy na zewnątrz zmniejsza zagrożenie porażenia elektrycznego.
- f) **Podczas używania elektronarzędzia w wilgotnym miejscu należy stosować wyłącznik ochronny różnicowo-prądowy.** Zastosowanie wyłącznika ochronnego różnicowo-prądowego zmniejsza ryzyko porażenia prądem.

3) BEZPIECZEŃSTWO OSOB

- a) **Należy zachowywać ostrożność, uważać na to, co się robi i pracować z elektronarzędziem w sposób rozsądny.** Nie

wolno używać elektronarzędzia, gdy jest się zmęczonym lub będąc pod wpływem narkotyków, alkoholu lub leków. Chwila nieuwagi podczas pracy z narzędziem może powodować poważne obrażenia ciała.

- b) **Należy stosować sprzęt ochrony osobistej.** Należy zawsze nosić okulary ochronne. Noszenie sprzętu ochrony osobistej, takiego jak maski przeciwpyłowej, antypoślizgowego obuwia ochronnego, kasku lub środków ochrony słuchu w zależności od warunków stosowania elektronarzędzia zmniejsza ryzyko obrażeń.
- c) **Należy unikać niezamierzonego uruchomienia narzędzia.** Należy się upewnić, że wyłącznik jest w pozycji wyłączonej przed podłączeniem do źródła zasilania oraz/lub akumulatora, podczas podnoszenia lub przenoszenia narzędzia. Trzymanie palca na włączniku podczas przenoszenia elektronarzędzia lub podłączanie do prądu włączonego narzędzia może być przyczyną wypadków.
- d) **Przed włączeniem narzędzia należy wyjąć klucz regulacyjny lub nastawczy.** Narzędzie lub klucz, które znajduje się w ruchomych częściach urządzenia, mogą doprowadzić do obrażeń ciała.
- e) **Nie przeceniaj swoich możliwości.** Należy dbać o bezpieczną pozycję pracy i zawsze utrzymywać równowagę. Pozwoli to na lepszą kontrolę elektronarzędzia w nieoczekiwanych sytuacjach.
- f) **Należy nosić odpowiednie ubranie.** Nie zakładać luźnej odzieży czy biżuterii. Włosy, ubranie i rękawice należy trzymać z daleka od ruchomych części. Luźna odzież, biżuteria lub długie włosy mogą zostać wciągnięte przez poruszające się części.
- g) **W przypadku, gdy możliwe jest zamontowanie urządzeń odsysających lub zbierających należy się upewnić, czy są one prawidłowo podłączone i użyte.** Zastosowanie urządzenia zbierającego pył może zmniejszyć zagrożenie pyłami.
- h) **Nie pozwól, aby znajomość uzyskana dzięki częstemu korzystaniu z narzędzi sprawiła, że zignorowane zostaną zasady bezpieczeństwa.** Nieostrożne działanie może spowodować poważne obrażenia w ułamku sekundy.

4) OSTROŻNE UŻYTKOWANIE ELEKTRONARZĘDZIA

- a) **Nie wolno przeciążać narzędzia.** Stosować odpowiednie elektronarzędzie do wykonywanej pracy. Stosując odpowiednie elektronarzędzie pracuje się lepiej i bezpieczniej, z prędkością, do której jest ono przeznaczone."
- b) **Nie wolno używać elektronarzędzia, którego włącznik jest uszkodzony.** Elektronarzędzie, którym nie można sterować za pomocą przełącznika jest niebezpieczne i należy go naprawić.
- c) **Odłączyć wtyczkę od źródła zasilania oraz/lub od akumulatora przed rozpoczęciem prac regulacyjnych, wymianą akcesoriów lub przechowywaniem elektronarzędzi.** Tego typu działania zapobiegawcze zmniejszają zagrożenie przypadkowego uruchomienia narzędzia.
- d) **Nie używane elektronarzędzia należy przechowywać poza zasięgiem dzieci i nie wolno udostępniać elektronarzędzi osobom nie znającym zasad jego obsługi lub które nie zapoznały się z instrukcją obsługi.** Elektronarzędzia w rękach osób nieprzeszkolonych są niebezpieczne.
- e) **Konserwacja elektronarzędzi i akcesoriów.** Należy sprawdzać ruchome części pod kątem niewłaściwego dopasowania lub połączenia, uszkodzenie części lub inne stany, które mogą mieć wpływ na działanie narzędzia. W przypadku uszkodzenia elektronarzędzie należy naprawić przed użyciem. Wiele wypadków spowodowanych jest przez nieprawidłowo konserwowane

elektronarzędzia.

- f) **Narzędzia tnące muszą być ostre i czyste.** Starannie pielęgnowane narzędzia tnące o ostrych krawędziach tnących rzadziej się blokują i są łatwiejsze w obsłudze.
- g) **Elektronarzędzia, końcówki, bity itp. należy użytkować zgodnie z ich instrukcjami, uwzględniając warunki pracy i wykonywaną pracę.** Stosowanie elektronarzędzi do prac innych, niż przewidziane, może doprowadzić do niebezpiecznej sytuacji.
- h) **Należy utrzymywać uchwyty i powierzchnie chwytne suche, czyste i wolne od oleju i smaru.** Śliskie uchwyty i powierzchnie chwytające nie pozwalają na bezpieczne obchodzenie się z narzędziem i sprawne operowanie w nieoczekiwanych sytuacjach.

5) PRAWIDŁOWA OBSŁUGA I EKSPLOATACJA NARZĘDZI AKUMULATOROWYCH

- a) **Akumulatory należy ładować tylko w ładowarkach, zalecanych przez producenta.** W przypadku użycia ładowarki, przystosowanej do ładowania określonego rodzaju akumulatorów, w sposób niezgodny z przeznaczeniem, istnieje niebezpieczeństwo pożaru.
- b) **W elektronarzędziach można używać jedynie przewidzianych do tego celu akumulatorów.** Użycie innych akumulatorów może spowodować obrażenia ciała i zagrożenie pożarem.
- c) **Jeśli akumulator nie jest wykorzystywany, należy przechowywać go z dala od metalowych przedmiotów np. spinaczy do papieru, monet, kluczy, gwoździ, śrub lub innych metalowych przedmiotów, które mogą nawiązać połączenie pomiędzy zakończeniami.** Zwarcie pomiędzy stykami akumulatora może spowodować oparzenia lub pożar.
- d) **Przy niewłaściwym użyciu możliwe jest wydostanie się elektrolitu z akumulatora.** Należy unikać kontaktu z nim, a w przypadku niezamierzonego zetknięcia się z elektrolitem, należy umyć dane miejsce ciała wodą. Jeżeli ciecz dostała się do oczu, należy dodatkowo skonsultować się z lekarzem. Elektrolit może doprowadzić do podrażnienia skóry lub oparzeń.
- e) **Nie używaj akumulatora lub narzędzia, które jest uszkodzone lub zmodyfikowane.** Uszkodzone lub zmodyfikowane baterie mogą wykazywać nieprzewidywalne zachowanie, powodujące pożar, wybuch lub ryzyko obrażeń.
- f) **Nie wystawiać akumulatora lub narzędzia na działanie ognia lub wysokiej temperatury.** Narażenie na działanie ognia lub temperatury powyżej 130 °C / 265 °F może spowodować wybuch.
- g) **Postępuj zgodnie ze wszystkimi instrukcjami ładowania i nie ładuj akumulatora ani narzędzia poza zakresem temperatur podanym w instrukcji.** Nieprawidłowe ładowanie lub temperatury przekraczające określony zakres mogą uszkodzić akumulator i zwiększyć ryzyko pożaru.

6) SERWIS

- a) **Naprawę elektronarzędzia należy zlecać wykwalifikowanemu serwisantowi, z zastosowaniem oryginalnych części zamiennych.** Zagwarantuje to bezpieczeństwo elektronarzędzia.
- b) **Nigdy nie naprawiaj uszkodzonych akumulatorów.** Serwis akumulatorów powinien wykonywać wyłącznie producent lub autoryzowany serwis.

PRZEPISY BEZPIECZEŃSTWA DLA ZSZYWCZA

- **Należy zawsze zakładać, że urządzenie zawiera zszywki.** Nieostrożne obchodzenie się z zszywaczem może spowodować

nieoczekiwane wystrzelenie złącznika i obrażenia ciała.

- **Nigdy nie należy kierować narzędzia w kierunku osób znajdujących się w pobliżu lub do siebie samego.** Nieoczekiwane uruchomienie zwolni zszywkę powodując uraz.
- **Nie włączać urządzenia, jeśli nie oparto go pewnie o element roboczy.** Jeśli narzędzie nie pozostaje w kontakcie z elementem roboczym, zszywkę można usunąć z miejsca docelowego.
- **Odłączyć narzędzie od zasilania, kiedy zszywka zablokuje się w narzędziu.** Podczas usuwania zakleszczonej zszywki, zszywacz można przypadkowo uruchomić, jeśli jest podłączony.
- **Zachować ostrożność podczas usuwania zakleszczonej zszywki.** Mechanizm może być pod ciśnieniem, a zszywkę można wypuścić podczas prób usunięcia zacięcia.
- **Zszywacza nie stosować do mocowania przewodów elektrycznych.** Nie jest on przeznaczony do montażu przewodów elektrycznych i może uszkodzić izolację przewodu powodując tym samym porażenie prądem lub zagrożenie pożarem.

DANE TECHNICZNE

Zszywacz akumulatorowy, numer modelu	BTX530	BTX140
Typ szywki	Rapid 53	Rapid 140
Długość zszywki	6-14 mm	6-14 mm
Pojemność magazynka dla zszywek, max	112 szt.	66 szt.
Typ, długość sztyftu	Rapid T8, 15-30 mm	
Pojemność magazynka dla sztyftów, max	66 szt.	
Wymiary Narzędzia (Z baterią) H x W x L	195 x 60 x 220 mm	
Ciężar narzędzia	1,360 kg	
Bateria		
Typ, napięcie	Li-Ion, 7,2 V	
Wydajność	1300 mAh	
Czas ładowania	90 min	
Strzały na jednym ładowaniu, max	≈ 1500 strzałów	
Prędkość, maksymalna ciągłość	20 strzałów/min.	
Ładowarka:		
Moc wejściowa	100-240 V, 50-60 Hz	
Moc wyjściowa	8,4 V cc	
Moc	1000 mA	

EMISJA HAŁASU

A-ważony poziom ciśnienia akustycznego $LpA=79,3$ dB(A), niepewność $K=3$ dB(A)

A-ważony poziom ciśnienia akustycznego $LwA=90,3$ dB(A), niepewność $K=3$ dB(A)

Zalecenia dla operatora dotyczące ochrony słuchu.

DRGANIA

Wartość całkowita drgań $=1,214$ m/s², niepewność $K=1,5$ m/s²

Zadeklarowana całkowita wartość drgań została zmierzona zgodnie ze standardową metodą badań i może zostać użyta do porównywania narzędzi ze sobą.

Zadeklarowana całkowita wartość drgań może również zostać użyta do wstępnej oceny narażenia.

OSTRZEŻENIE

Emisja drgań podczas aktualnego stosowania elektronarzędzia może się różnić od deklarowanej wartości całkowitej w zależności od sposobu, w jaki użytkowane jest narzędzie.

Konieczne jest określenie środków bezpieczeństwa w celu ochrony operatora, które opierają się na oszacowaniu narażenia w rzeczywistych warunkach użytkowania (z uwzględnieniem wszystkich części cyklu operacyjnego, takich jak: czasy, w których narzędzie jest wyłączone i kiedy pracuje na biegu jałowym oprócz czasu wyzwalania).



MONTAŻ

DEFINICJA (Ilustracja 1, 2 i 10)

A : Pokrętko regulacji mocy

B : Spust

C : Pakiet baterii

D : Przyciski odblokowania

E : Jarzmo bezpieczeństwa

F : Zasuwa magazynku

G : Szyna

H : Magazynek

I : Gniazdo

J : Punkt ładowania

K : Ładowarka

L : LED

DEMONTAŻ I PODŁĄCZANIE AKUMULATORA

1. Baterię **C** wyjmuje się po naciśnięciu przycisków zwalniających **D** i wysunięciu baterii z urządzenia (Rysunek 3).

2. Podłączanie baterii polega na wsunięciu jej w kierunku odwrotnym, aż zatrzaśnie się na miejscu (Rysunek 4).

ŁADOWANIE ZSZYWEK/GWOŹDZI DO MAGAZYNKA

1. Naciśnij zatrzaśk magazynu **F**, aby odblokować go z korpusu zszywacza.
2. Przesunąć szynę **G** w tył.
3. Włóż pasek zszywek / sztyftów w sposób pokazany na rysunku 8 i 9.
4. Zamknąć magazynek przesuwając szynę w przód, aż do zablokowania.

USUŃ ZSZYWKI / SZTYFTY Z MAGAZYNKU

1. Naciśnij zatrzaśk magazynu **F**, aby odblokować go z korpusu zszywacza.
2. Przesunąć szynę **G** w tył.
3. Wyjąć zszywki / sztyfty z magazynka.
4. Zamknąć magazynek.

UŻYTKOWANIE

ZSZYWANIE

1. Upewnij się, że narzędzie jest w dobrym stanie.
2. Obrócenie pokrętła regulacji mocy **A** pozwala na dostosowanie głębokości penetracji zszywek / druciaków do własnych potrzeb (Rysunek 5).
3. Mocno docisnąć jarzmo bezpieczeństwa **E** do przedmiotu obrabianego, aż do głębokości kilku milimetrów (Rysunek 6).
4. Ściągnąć na moment spust **B** i ponownie go zwolnić (Rysunek 7).
5. Aby zapobiec wypadkom, spust **B** pozostaje zablokowany aż do momentu, gdy jarzmo bezpieczeństwa zostało dociśnięte do przedmiotu obrabianego.

INSTRUKCJA OBSŁUGI ŁADOWARKI

Nie wolno używać urządzenia, gdy trwa proces ładowania.

1. Wyjąć baterię z urządzenia.
2. Podłączyć punkt ładowania **J** ładowarki do gniazda **I** akumulatora (Rysunek 10).
3. Podłączyć ładowarkę **K** do sieci. → W czasie ładowania dioda **L** na ładowarce zapala się na czerwono (Rysunek 10).
4. Dioda **L** zmienia światło na zielone, gdy bateria została całkowicie naładowana (Rysunek 10).
5. Odłączyć wtyczkę **J** od gniazda **I** i odłączyć ładowarkę **K** od sieci.
 - Bateria może być ładowana wyłącznie w zakresie temperatury otoczenia 10-50°C.
 - Ładowarka może się nagrzewać w czasie procesu ładowania: jest to zupełnie normalne zjawisko.
 - Nie przechowuj baterii w miejscach, w których temperatura może przekroczyć 50 °C.

UWAGA: Celem uzyskania lepszej jakości dociśnij narzędzie do obrabianego przedmiotu.

UWAGA: W przypadku zablokowania zszywki lub gwoźdźcia należy przeczytać rozdział dotyczący konserwacji. NIE uruchamiać ponownie narzędzia celem usunięcia zablokowanego materiału, ponieważ może to spowodować uszkodzenie narzędzia.

UWAGA: Podczas pracy narzędzie może wydawać się ciepłe. Jest to zjawisko normalne, lecz gdy narzędzie zaczyna się nagrzewać, należy przerwać pracę i poczekać, aż się ochłodzi.

UWAGA: Zszywacz może być stosowany tylko zgodnie z przeznaczeniem. Narzędzie przeznaczone jest do zszywania drewna, tektury, materiału izolacyjnego, tkaniny, folii, skóry oraz podobnych materiałów na powierzchni drewna lub materiałów podobnych do drewna, wyłącznie do prywatnego użytku.

UWAGA: Narzędzie należy stosować wyłącznie z dedykowanym akumulatorem.

KONSERWACJA

KONSERWACJA STANDARDOWA

1. Dokonać inspekcji wszystkich śrub i w razie konieczności dokręcić.
2. Wszystkie otwory wentylacyjne należy wyczyścić z pyłu i zanieczyszczeń.
3. Przed czyszczeniem wyjąć akumulator z urządzenia.
4. Narzędzie należy wyczyścić suchą lub wilgotną szmatką. NIGDY nie używać rozpuszczalników.
5. Kanał magazynku utrzymywać w czystości.
6. NIE oliwić ani nie smarować żadnych części.
7. Upewnij się, że zszywacz nie jest uszkodzony. Przed użyciem wymienić lub naprawić.

USUWANIE ZABLOKOWANEJ ZSZYWKI / GWOŹDZIA

1. Naciśnij zatrzaśk magazynu **F**, aby odblokować go z korpusu zszywacza.
2. Przesunąć szynę **G** w tył.
3. Wyjmij luźne zszywki / gwoździe z magazynku
4. Użyj szpilki z ostrym końcem, aby usunąć zacięte sztyfty / zszywki.

OSTRZEŻENIE!!

NIE zmieniać żadnych części tego zszywacza ani nie blokować specjalnych przyrządów. Może to prowadzić do obrażeń ciała.

Jeśli narzędzie/ładowarka nie działają mimo podjętej staranności w procedurach produkcji i testowania, naprawę należy wykonać w posprzedażowym centrum serwisowym dla narzędzi Rapid.



ŚRODOWISKO

Zbiórka selektywna. Nie wolno wyrzucać urządzeń elektrycznych do odpadów domowych! Zgodnie z dyrektywą europejską 2012/19/WE dotyczącą odpadów elektrycznych i sprzętu elektronicznego.

- W przypadku konieczności wymiany lub wyrzucenia urządzenia należy je oddać do oddzielnego ośrodka zbiórki odpadów, gdzie urządzenie zostanie poddane recyklingowi.
 - Bateria: można ją wykorzystać ponownie.
- Baterię można wielokrotnie ładować. Po zakończeniu okresu ważności baterię należy całkowicie rozładować, a następnie wyjąć z urządzenia i oddać do miejscowego ośrodka recyklingu.



Соответствует соответствующим директивам ЕС

**ОБЩИЕ ПРАВИЛА ТЕХНИКИ БЕЗОПАСНОСТИ ДЛЯ ЭЛЕКТРОИНСТРУМЕНТА**

Осторожно!!! Прочитать внимательно перед использованием инструмента. Игнорирование предупреждений и инструкций ниже может привести к поражению электрическим током или серьезной травме.

Сохраните все предупреждения и инструкции для обращения к ним в будущем.

Термин «электроинструмент» в предупреждениях относится к инструменту с питанием от сети (с проводом) или от аккумуляторной батареи (без провода).

1) ТЕХНИКА БЕЗОПАСНОСТИ НА РАБОЧЕМ МЕСТЕ

- а) **Содержите рабочее место в чистоте, обеспечьте хорошее освещение.** Беспорядок на верстаке и слабое освещение — частая причина несчастных случаев.
- б) **Запрещается пользование инструментом во взрывопожароопасной атмосфере, например, в присутствии огнеопасных жидкостей, газов или пыли.** Электроинструмент искрит, и возможно воспламенение пыли или газа.
- в) **При работе с электроинструментом не должны присутствовать посторонние, дети и зеваки.** При отвлечении внимания возможна потеря контроля над электроинструментом.

2) ТЕХНИКА ЭЛЕКТРОБЕЗОПАСНОСТИ

- а) **Штепсельная вилка электроинструмента должна соответствовать розетке электросети.** Запрещается внесение изменений в конструкцию вилки. Запрещается использование переходников для электроинструмента с защитным заземлением. Заводские штепсельные вилки и соответствующие им сетевые розетки существенно снижают вероятность поражения электрическим током.
- б) **Не касайтесь поверхности заземленных элементов, например, труб, радиаторов, решеток, холодильников.** При заземлении тела возрастает вероятность поражения электрическим током.
- в) **Запрещается использование электроинструмента под дождем или при повышенной влажности.** При попадании воды внутрь электроинструмента возрастает вероятность поражения электрическим током.
- г) **Используйте шнур питания строго по назначению.** Запрещается тянуть за шнур при отключении или переноске электроинструмента. Оберегайте шнур от воздействия высоких температур, масла, острых кромок или движущихся частей. При использовании поврежденного или перекрученного шнура питания возрастает вероятность поражения электрическим током.
- д) **При пользовании электроинструментом на улице используйте удлинитель для эксплуатации вне помещения. Использование удлинителя для эксплуатации вне помещения снижает вероятность поражения электрическим током.**



- е) Если все же требуется использование электроинструмента в сыром месте, подключитесь к цепи питания с устройством защитного отключения. Использование устройств защитного отключения снижает вероятность поражения электрическим током.

3) ЛИЧНАЯ БЕЗОПАСНОСТЬ

- а) При работе с электроинструментом будьте внимательны, следите за своими действиями и выполняйте работу обдуманно. Не пользуйтесь электроинструментом в состоянии усталости или воздействия наркотиков, алкоголя или лекарственных препаратов. Секундная невнимательность при пользовании электроинструментом может привести к тяжелой травме.
- б) Используйте средства индивидуальной защиты. Защитные очки обязательны. Такие средства индивидуальной защиты, как противопылевой респиратор, нескользящая защитная обувь, шлем/каска, средства защиты органов слуха, используемые при соответствующих условиях, снижают вероятность получения травм.
- в) Не допускайте случайного запуска. Убедитесь в отключенном положении выключателя перед подключением к сети питания и/или к аккумуляторной батарее, взятием или переноской инструмента. Переноска электроинструмента с пальцем на выключателе или запитка инструмента с включенным выключателем — частая причина несчастных случаев.
- г) Перед включением электроинструмента удалите используемый для регулировки или затяжки гаечный или торцовый ключ. Оставленным во вращающейся части электроинструмента гаечным или торцовым ключом возможно причинение травмы.
- д) Не переоценивайте свои возможности. Твердо стойте на ногах и постоянно поддерживайте равновесие. В таком положении вы сможете лучше контролировать инструмент в неожиданных ситуациях.
- е) Одевайтесь соответственно условиям. Запрещается носить свободную одежду и украшения. Не приближайте волосы, одежду и перчатки к движущимся частям электроинструмента. Свободная одежда, украшения и длинные волосы могут попасть в движущиеся части электроинструмента.
- ж) При наличии пылеотсасывающих и пылесборных приспособлений убедитесь в их надлежащем подключении и использовании. Применение пылеотсоса может снизить опасности, создаваемые пылью.
- з) Не позволяйте опыту, полученному в результате частого использования инструментов позволять вам стать самодовольными и игнорировать принципы безопасности инструмента. Неосторожное действие может привести к серьезным травмам в течение доли секунды.

4) ЭКСПЛУАТАЦИЯ И ОБСЛУЖИВАНИЕ ЭЛЕКТРОИНСТРУМЕНТА

- а) Не перегружайте электроинструмент. Используйте только предназначенный для данной работы инструмент. Подходящий электроинструмент обеспечивает более качественное и безопасное выполнение работы с расчетной производительностью.

- б) **Не используйте электроинструмент с неисправным выключателем.** Инструмент с неисправным выключателем опасен и подлежит ремонту.
- в) **Извлеките вилку из электророзетки и/или аккумуляторную батарею из электроинструмента перед выполнением регулировок, заменой приспособлений или подготовке к хранению.** Данная мера предосторожности предотвращает случайное включение инструмента.
- г) **Храните не используемый электроинструмент в недоступном для детей месте; не позволяйте использовать электроинструмент лицам, не умеющим с ним обращаться или не ознакомленным с инструкцией по эксплуатации.** Электроинструменты опасны в руках неумелых пользователей.
- д) **Следите за состоянием электроинструмента.** Проверяйте центровку и надежность крепления движущихся частей, отсутствие поломок и любых других отклонений от нормы, которые могут нарушать работу инструмента. Поврежденный инструмент необходимо отремонтировать перед продолжением использования. Небрежное отношение к электроинструменту — причина многих несчастных случаев.
- е) **Содержите режущий инструмент в заточенном и чистом состоянии.** Обеспеченный надлежащим обращением режущий инструмент с острыми кромками режет заклинивается и лучше контролируется.
- ж) **Используйте электроинструмент, принадлежности, биты и т.д. в соответствии с данной инструкцией с учетом условий и характера выполняемой работы.** Использование электроинструмента не по назначению может привести к опасным последствиям.
- з) **Держите ручки и поверхности захвата сухими, чистыми и свободными от масла и жира.** Скользкие ручки и хватные поверхности не позволяют безопасно обращаться с инструментом и контролировать его в непредвиденных ситуациях.
- 5) ИСПОЛЬЗОВАНИЕ И УХОД ЗА БАТАРЕЙНЫМИ ИНСТРУМЕНТАМИ**
- а) **Заряжайте только зарядным устройством, указанным производителем.** Зарядное устройство, подходящее для аккумуляторов одного типа, может создавать риск возгорания при использовании с другим аккумулятором.
- б) **Используйте электроинструменты только со специально предназначенными батарейными блоками.** Использование любых других аккумуляторных блоков может привести к травмам и пожару.
- в) **Если аккумуляторная батарея не используется, храните ее вдали от других металлических предметов, таких как зажимы для бумаги, монеты, ключи, гвозди, винты или другие небольшие металлические предметы, которые могут замкнуть цепь между терминалами.** Короткое замыкание клемм аккумулятора может привести к ожогам или пожару.
- г) **В неблагоприятных условиях жидкость может быть выброшена из аккумулятора; избежать контакта.** При случайном контакте промойте водой. Если жидкость попала в глаза, обратитесь за медицинской помощью. Жидкость, вытекшая из батареи, может вызвать раздражение или ожоги.
- д) **Не используйте батарейный блок или инструмент,**

который поврежден или модифицирован. Поврежденные или модифицированные батареи могут проявлять непредсказуемое поведение, что может привести к пожару, взрыву или риску получения травмы.

- е) **Не подвергайте батарейный блок или инструмент воздействию огня или чрезмерной температуры.** Воздействие огня или температуры выше 130 ° C / 265 ° F может привести к взрыву.
- ж) **Следуйте всем инструкциям по зарядке и не заряжайте аккумулятор или инструмент вне диапазона температур, указанного в инструкциях.** Неправильная зарядка или температура, выходящая за пределы указанного диапазона, может повредить аккумулятор и повысить риск возгорания.

6) ОБСЛУЖИВАНИЕ

- а) **Доверяйте обслуживание электроинструмента только квалифицированному специалисту, использующему только фирменные запасные части.** Это обеспечит сохранение безопасности электроинструмента.
- б) **Никогда не обслуживайте поврежденные аккумуляторы.** Обслуживание аккумуляторных батарей должно выполняться только производителем или авторизованными поставщиками услуг.

СТЕПЛЕР — ПРЕДУПРЕЖДЕНИЯ ОБ ОПАСНОСТИ

- **Всегда считайте, что инструмент заряжен скрепками.** При беспечном обращении со степлером возможно неожиданное выстреливание скрепок с причинением травм.
- **Не направляйте инструмент на себя или других людей.** Выпущенная при случайном нажатии курка скрепка способна нанести травму.
- **Включайте только плотно прижатый к заготовке инструмент.** При отсутствии контакта инструмента и заготовки возможно отклонение скрепки от цели.
- **Если скрепка застряла в инструменте, отсоедините его от источника питания.** Во время извлечения застрявшей скрепки возможен случайный запуск включенного в сеть степлера.
- **Доставая застрявшую скрепку, будьте осторожны.** Механизм может быть в сжатом состоянии, и застрявшая скрепка может вылететь при попытке достать ее.
- **Использование этого степлера для крепления электропроводки не допускается.** Он не предназначен для прокладки электропроводки, и может повредить изоляцию с возможным поражением электротоком или возгоранием.

ТЕХНИЧЕСКИЕ ДАННЫЕ

Аккумуляторный степлер, Номер модели	BTX530	BTX140
Тип скобы	Rapid 53	Rapid 140
Длина скобы	6-14 мм	6-14 мм
Максимальная вместимость магазина, макс	112 шт.	66 шт.
Тип, длина гвоздя	Rapid T8, 15-30 MM	
Максимальная вместимость магазина, макс	66 шт.	
Размеры инструмента (включая батарею) В x Ш x Д	195 x 60 x 220 мм	
Вес инструмента	1,360 kg	
Батарея		
Тип, Напряжение	Литий-ионный, 7,2 В	
Емкость	1300 мА/ч	
Время зарядки	90 мин	

Максимум выстрелов за заряд	≈ 1500 выстрелов
Производительность	20 выстрелов / мин
Зарядное устройство	
Вход	100-240 В, 50-60 Гц
Выход	8,4 В пост. тока
Потребляемая мощность	1000 мА

УРОВЕНЬ ШУМА

Средневзвешенный уровень звукового давления $L_{pA}=79,3$ дБ, погрешность $K=3$ дБ
Средневзвешенный уровень акустического шума $L_{wA}=90,3$ дБ, погрешность $K=3$ дБ
Рекомендация для оператора носить средства защиты слуха.

ВИБРАЦИЯ

Общий уровень вибрации $=1,214$ м/с², погрешность $K=1,5$ м/с²
Заявленный общий уровень вибрации измерен применяемым при стандартных испытаниях методом, и может использоваться для сравнения различных инструментов.
Заявленный общий уровень вибрации может также использоваться для предварительной оценки степени воздействия.

ОСТОРОЖНО

Уровень вибрации при реальном использовании инструмента может отличаться от заявленного уровня вибрации в зависимости от способа использования инструмента." Необходимо определить меры безопасности для защиты оператора, основанные на оценке воздействия в реальных условиях использования (с учетом всех частей рабочего цикла, таких как время, когда инструмент выключен и когда он работает вхолостую), в дополнение к времени срабатывания).



УСТРОЙСТВО

ОБОЗНАЧЕНИЯ НА (Рисунке 1, 2 и 10)

- | | | |
|---|------------------------------------|-----------------------------------|
| A : Регулятор настройки мощности | B : Спусковая кнопка | C : Аккумуляторная батарея |
| D : Uvoľňovacie tlačidlá | E : Предохранительная вилка | F : Зашелка магазина |
| G : Рейка | H : Магазин | I : Гнездо |
| J : Зарядная точка | K : Зарядное устройство | L : светодиод |

УДАЛЕНИЕ И ПОДКЛЮЧЕНИЕ БАТАРЕИ

1. Чтобы извлечь батарею **C**, нажмите разблокирующие кнопки **D** и извлеките батарею из инструмента (рисунок 3).
2. Чтобы подсоединить батарею, вставляйте ее обратно, пока не раздастся щелчок подсоединения (рисунок 4).

ЗАПРАВКА СКОБОК/ГВОЗДЕЙ В МАГАЗИН

1. Нажмите на защелку **F** магазина, чтобы извлечь его из корпуса степлера.
2. Потяните рейку **G** назад.
3. Вставьте скобы / гвозди, как показано на рисунках 8 и 9.
4. Закройте магазин, продвинув рейку вперед до ее фиксации.

ИЗВЛЕЧЕНИЕ СКОБОК/ГВОЗДЕЙ ИЗ МАГАЗИНА

1. Нажмите на защелку **F** магазина, чтобы извлечь его из корпуса степлера.
2. Потяните рейку **G** назад.
3. Извлеките скобки/гвозди из магазина.
4. Закройте магазин.

ЭКСПЛУАТАЦИЯ

ЗАБИВАНИЕ СКОБ / ГВОЗДЕЙ

1. Убедитесь в исправном рабочем состоянии инструмента.
2. Для регулировки глубины проникновения скоб/гвоздей в соответствии с необходимостью поворачивайте регулятор настройки мощности **A** (рисунок 5).
3. Сильно нажмите предохранительным держателем **E** на рабочее изделие, чтобы он переместился на несколько миллиметров (рисунок 6).
4. Нажмите на спусковую кнопку **B** и немедленно отпустите ее (рисунок 7).
5. Спусковая кнопка **B** остается заблокированной, пока предохранительным держателем не нажимают на рабочее изделие. Это способствует предотвращению случайного срабатывания.

ИНСТРУКЦИИ ПО ЭКСПЛУАТАЦИИ ЗАРЯДНОГО УСТРОЙСТВА

Запрещается использовать инструмент во время зарядки.

1. Извлеките батарею из инструмента.
2. Подключите зарядный штекер **J** зарядного устройства к гнезду **I** батареи (рисунок 10).
3. Подключите зарядное устройство **K** к сети питания. → Светодиод **L** на зарядном устройстве будет гореть красным во время зарядки (рисунок 10).
4. По завершении зарядки батареи светодиод **L** зарядного устройства сменит цвет на зеленый (рисунок 10).
5. Извлеките штекер **J** из гнезда **I** и отключите зарядное устройство **K** от сети питания.
 - Заряжается батарея только при окружающей температуре от 10 °C до 50 °C.
 - В процессе зарядки зарядное устройство может нагреваться: это нормальное явление.
 - Запрещается хранить батареи в помещениях, где температура может превышать 50 °C.

ПРИМЕЧАНИЕ. Для обеспечения правильной работы прижимайте инструмент к заготовке.

ПРИМЕЧАНИЕ. При застревании скобки или гвоздя следуйте указаниям раздела

Обслуживание. НЕ ДОПУСКАЕТСЯ повторный выпуск скобки для удаления застрявшей скобки: возможно повреждение инструмента.

ПРИМЕЧАНИЕ. Во время работы возможен нагрев инструмента. Это нормально, однако при перегреве инструмента необходимо дать ему остыть.

ПРИМЕЧАНИЕ. Допускается использование степлера только по прямому назначению. Этот инструмент предназначен для скрепления дерева, картона, изолирующих материалов, ткани, пленки, кожи и аналогичных материалов с деревянной поверхностью или аналогичными дереву материалами; только для частного использования.

ПРИМЕЧАНИЕ. Используйте инструмент только со специально предназначенной для него аккумуляторной батареей.

ОБСЛУЖИВАНИЕ

СТАНДАРТНОЕ ОБСЛУЖИВАНИЕ

1. Проверьте и при необходимости подтяните все винты.
2. Очистите от грязи и пыли все вентиляционные отверстия.
3. Перед очисткой инструмента достаньте аккумуляторную батарею.
4. Для очистки используйте сухую или влажную ткань. Использование растворителей ЗАПРЕЩАЕТСЯ.
5. Содержите канал магазина в чистоте
6. Смазывание любых деталей НЕ ДОПУСКАЕТСЯ.
7. Убедитесь в полной исправности степлера. Перед использованием отремонтируйте или замените детали.

ИЗВЛЕЧЕНИЕ ЗАСТЯВШЕЙ СКОБКИ/ГВОЗДЯ

1. Нажмите на защелку **F** магазина, чтобы извлечь его из корпуса степлера.
2. Потяните рейку **G** назад.
3. Извлеките свободные скобки/гвозди из магазина.
4. Извлеките застрявшие скобки заостренным стержнем.

ОСТОРОЖНО!!

ЗАПРЕЩАЕТСЯ изменять конструкцию деталей данного степлера и присоединять к нему приспособления. Это может привести к тяжелой травме.

Если инструмент/зарядное устройство неисправно, несмотря на надлежащую тщательность при производстве и испытаниях, необходимо выполнение ремонта центром послепродажного обслуживания инструментов Rapid.



ОХРАНА ОКРУЖАЮЩЕЙ СРЕДЫ

Сортировка отходов. Запрещается выбрасывать электроинструмент в бытовые отходы! Удалять в отходы согласно директиве Европейского Совета 2012/19/EU об утилизации электрического и электронного оборудования.

▪ Заменяемый или пришедший в негодность инструмент подлежит сдаче в специализированный центр для переработки.

▪ Батарея: батареи являются перерабатываемыми.

Батарея поддерживает значительное число циклов перезарядки. По истечении срока службы полностью разрядите батарею, извлеките из инструмента и доставьте на местную перерабатывающую станцию.



BTX530 / BTX140 Kasutusjuhend

Originaalkasutusjuhendi tõlge



Vastab asjakohastele ELi direktiividele



ELEKTRILISTE TÖÖRIISTADE ÜLDISED OHUTUSJUHISED

Hoiatus!!! Lugege tööohutusjuhendit hoolikalt enne tööriista kasutamist. Allpool toodud hoiatuste ja juhiste mittejärgimine võib põhjustada elektrilööki või tõsiseid vigastusi.
Hoidke kõik hoiatused ja juhised edasiseks kasutamiseks alles.



Termin "elektriline tööriist" viitab hoiatustes elektritoitega (toitejuhtmega) tööriistale või akutoitega (toitejuhtmata) tööriistale.

1) OHUTUSNÕUDED TÖÖPIIRKONNAS

a) **Hoidke tööpiirkond puhas ja korras.** Segadus ja valgustamata tööpiirkonnad võivad põhjustada õnnetusi.

b) Ärge kasutage seadet plahvatusohtlikus keskkonnas, kus leidub tuleohtlikke vedelikke, gaase või tolmu. Elektrilised tööriistad tekitavad sädemeid, mis võivad tolmu või aurud süüdata.

- c) Hoidke elektrilise tööriista kasutamisel juuresolijad, lapsed ja kõrvalised isikud töökohast eemal. Tähelepanu kõrvalejuhtimisel võib seade teie kontrolli alt väljuda.

2) ELEKTRIOHUTUS

- a) Elektrilise tööriista pistik peab pistikupessa sobima. Ärge tehke pistikul mingeid muudatusi. Ärge kasutage maandatud elektriliste tööriistade puhul adapterpistikuid. Muutmata pistikud ja sobivad pistikupesad vähendavad elektrilöögi ohtu.
- b) **Vältige kehakontakti maandatud pindadega, nt torude, radiaatorite, pliitide ja külmikutega.** Kui teie keha on maandatud, on elektrilöögi oht suurem.
- c) **Hoidke seadet vihma ja niiskuse eest.** Kui elektrilisse tööriista on sattunud vett, on elektrilöögi oht suurem.
- d) **Ärge kasutage toitejuhet selleks mitte ettenähtud otstarbel.** Ärge kasutage toitejuhet elektrilise tööriista kandmiseks, ülesriputamiseks või pistiku pistikupesast eemaldamiseks. Hoidke toitejuhet kuumuse, õli, teravate servade ja liikuvate osade eest. Kahjustatud või keerduläinud toitejuhtmed suurendavad elektrilöögi ohtu.
- e) **Kui kasutate elektrilist tööriista välistingimustes, kasutage ainult selliseid pikendusjuhtmeid, mis sobivad välistingimustes kasutamiseks.** Välistingimustes kasutamiseks sobiva pikendusjuhtme kasutamine vähendab elektrilöögi ohtu.
- f) **Kui elektrilise tööriista kasutamine on niiskeks keskkonnas vältimatu, kasutage maaühenduse vooluringi katkestiga kaitstud toidet.** Maaühenduse vooluringi katkesti kasutamine vähendab elektrilöögi ohtu.

3) ISIKUOHUTUS

- a) **Olge tähelepanelik, pöörake tähelepanu oma tegevusele ning toimige elektrilise tööriista kasutamisel mõistlikult.** Ärge kasutage seadet, kui olete väsinud või uimastite, alkoholi või ravimite mõju all. Hetkeline tähelepanematus elektrilise tööriista kasutamisel võib põhjustada tõsiseid vigastusi.
- b) **Kandke isikukaitsevahendeid.** Kandke alati kaitseprille. Isikukaitsevahendite, nt tolmu maski, libisemiskindlate kaitsejalatsite, kaitsekiivri või kuulmiskaitsevahendite, kandmine sobivates tingimustes vähendab vigastuste ohtu.
- c) **Vältige seadme tahtmatut käivitamist.** Veenduge, et toitelüliti on väljas enne toiteallika ja/või akuplokiga ühendamist, tööriista kätte võtmist või kandmist. Kui hoiate elektrilise tööriista kandmisel sõrme lültil või ühendate toitevõrku sisselülitatud seadme, võivad tagajärjeks olla õnnetused.
- d) **Enne elektrilise tööriista sisselülitamist eemaldage selle küljest mis tahes reguleerimis- ja mutrivõtmed.** Elektrilise tööriista pöörleva osa küljes olev reguleerimis- või mutrivõti võib põhjustada vigastusi.
- e) **Ärge küünitage end liiga kaugemale.** Leidke jalgadele kindel toetuspunkt ja hoidke kogu aeg tasakaalu. Nii saate elektrilist tööriista ootamatutes olukordades paremini kontrollida.
- f) **Kandke sobivat rõivastust.** Ärge kandke laiu riideid või ehteid. Hoidke juuksed, rõivad ja kindad seadme liikuvatest osadest eemal. Liiga laiad riided, ehted või pikad juuksed võivad sattuda seadme liikuvate osade vahele.
- g) **Kui seadmetele on võimalik paigaldada tolmueemaldus- ja tolmu kogumisseadmeid, veenduge, et need oleksid ühendatud ja et neid kasutatakse õigesti.** Tolmu kogumisseadme kasutamine vähendab tolmu ga seotud ohte.

- h) **Ärge lubage, et tööriistade sagedasest kasutamisest saadud teadmised võimaldaksid teil ignoreerida tööriista ohutuspõhimõtteid.** Hooletu tegevus võib põhjustada tõsise vigastuse mõne sekundi jooksul.
- 4) ELEKTRILISTE TÖÖRIISTADE KASUTAMINE JA HOOLDUS**
- a) **Ärge koormake seadet üle.** Kasutage töö tegemiseks selleks ettenähtud elektrilist tööriista. Sobiva elektrilise tööriistaga töötate paremini ja turvalisemalt ettenähtud võimsusvahemikus.
- b) **Ärge kasutage elektrilist tööriista, kui selle lüliti on rikkis.** Mis tahes elektriline tööriist, mida ei ole enam võimalik sisse ja välja lülitada, on ohtlik ning seda tuleb remontida.
- c) **Eemaldage pistik toiteallikast ja/või akuplokk elektrilisest tööriistast enne mis tahes reguleerimist, tarvikute vahetamist või elektriliste tööriistade hoiustamist.** Sellised ettevaatusabinõud vähendavad juhusliku käivitumise ohtu.
- d) **Hoidke mittekasutatavad elektrilised tööriistad lastele kättesaamatus kohas ning ärge lubage elektrilist tööriista kasutada inimestel, kes seda ei tunne või kes pole käesolevat kasutusjuhendit lugenud.** Kogenematute kasutajate käes on elektrilised tööriistad ohtlikud.
- e) **Hooldage elektrilisi tööriistu.** Kontrollige, kas seadme liikuvad osad funktsioneerivad korralikult ja ei kiilu kinni ning et mõned osad ei ole katki või sel määral kahjustatud, et võiksid piirata seadme funktsioneerimist. Laske kahjustatud osad enne elektrilise tööriista kasutamist parandada. Paljude õnnetuste põhjuseks on halvasti hooldatud elektrilised tööriistad.
- f) **Hoidke löiketarvikud teravad ja puhtad.** Hoolikalt hoitud, teravate lõikeservadega löiketarvikud kiiluvad harvemini kinni ja neid on lihtsam juhtida.
- g) **Kasutage elektrilisi tööriistu, lisatarvikuid ja -seadmeid jne vastavalt käesolevatele juhistele, võttes arvesse töötingimusi ja teostatavat tööd.** Elektriliste tööriistade kasutamine mitte ettenähtud otstarbel võib põhjustada ohtlikke olukordi.
- h) **Hoidke käepidemed ja haardepinnad kuivaks, puhtaks ja õli- ja rasvavaba.** Libedad käepidemed ja haardepinnad ei võimalda tööriista ohutut käitlemist ja juhtimist ootamatutes olukordades.
- 5) AKUTÖÖRIISTADE HOOLIKAS KÄSITSEMINE JA KASUTAMINE**
- a) **Laadige akusid ainult tootja poolt soovitatud akulaadijatega.** Akulaadija, mis sobib teatud tüüpi akudele, muutub tuleohtlikuks, kui seda kasutatakse teiste akudega.
- b) **Kasutage elektrilistes tööriistades ainult selleks ettenähtud akusid.** Teiste akude kasutamine võib põhjustada vigastusi ja tulekahjuohtu.
- c) **Aku mittekasutamisel hoidke see muudest metallesemetest eemal, nt kirjaklambritest, müntidest, võtmetest, naeltest, kruvidest või muudest väikestest metallesemetest, mis võivad kontaktid omavahel ühendada.** Akukontaktide vahel tekkiva lühise tagajärjeks võivad olla põletused või tulekahju.
- d) **Väärkasutuse korral võib akuvedelik välja voolata.** Vältige sellega kokkupuudet. Juhusliku kokkupuute korral loputage kahjustatud kohta veega. Kui vedelik satub silma, pöörduge lisaks arsti poole. Väljavoolav akuvedelik võib põhjustada nahaärritusi või põletusi.
- e) **Ärge kasutage kahjustatud või muudetud akut või tööriista.** Kahjustatud või modifitseeritud patareidel võib olla ettearvamatu käitumine, mis võib põhjustada tulekahju, plahvatuse või vigastuste

ohtu.

- f) **Ärge jätke akut või tööriista tule või liigse temperatuuri kätte.** Tulekahju või temperatuur üle 130 °C / 265 °F võib põhjustada plahvatust.
- g) **Järgige kõiki laadimisjuhiseid ja ärge laadige akut või tööriista väljaspool juhistes ettenähtud temperatuurivahemikku.** Laadimine ebaõigesti või temperatuuriväliselt väljaspool määratud vahemikku võib akut kahjustada ja suurendada tulekahju ohtu.

6) TEENINDUS

- a) **Laske seadet parandada ainult kvalifitseeritud spetsialistidel ja ainult originaalvaruosadega.** See tagab elektrilise tööriista ohutuse.
- b) **Ärge kunagi hooldage kahjustatud akusid.** Aku hooldust tohib teha ainult tootja või volitatud teenusepakkujad.

KLAMBRIPÜSTOLI OHUTUSJUHISED

- **Eeldage alati, et tööriist sisaldab klambreid.** Päästiku juhulik vajutamine toob kaasa klambrite väljapaiskumise, mis võib põhjustada vigastusi.
- **Ärge suunake seadet enda või teiste lähedal viibivate inimeste poole.** Päästiku juhulik vajutamine toob kaasa klambrite väljapaiskumise, mis võib põhjustada vigastusi.
- **Aktiveerige tööriist alles siis, kui see on kindalt töödeldava detaili vastu asetatud.** Kui tööriist ei puutu töödeldava detailiga kokku, võib klamber sihtmärgist kõrvale kalduda.
- **Kui klamber jääb tööriista kinni, ühendage tööriist toiteallika küljest lahti.** Kui tööriist on toiteallikaga ühendatud, võib kinnijäänud klambri eemaldamisel klambripüstol juhuslikult aktiveeruda.
- **Olge kinnijäänud klambri eemaldamisel ettevaatlik.** Mehhanism võib olla surve all ning kinnijäänud klambri eemaldamisel võib see suure jõuga välja paiskuda.
- **Ärge kasutage kõnealust klambripüstolit elektrikaablite kinnitamiseks.** Tööriist ei ole mõeldud elektrikaablitega kasutamiseks ning võib kahjustada elektrikaablite isolatsiooni, põhjustades seeläbi elektrilööki või tuleohtu.

TEHNILISED ANDMED

Akuga klambripüstol, mudeli nr	BTX530	BTX140
Klambri tüüp	Rapid 53	Rapid 140
Klambrite pikkus	6-14 mm	6-14 mm
Salve klambrite mahutavus, maks	112 tk	66 tk
Naela tüüp, pikkus	Rapid T8, 15-30 mm	
Salve mahutavus, maks	66 tk	
Tööriista mõõtmed (sh aku) K x L x P	195 x 60 x 220 mm	
Tööriista kaal	1,360 kg	
Aku		
Tüüp, pinge	Li-Ion, 7,2 V	
Võimsus	1300 mAh	
Laadimisaeg	90 min	
Lasku ühe laadimise kohta, maksimum	≈ 1500 lasku	
Kiirus	20 lasku/min	
Laadija		
Sisend	100-240 V 50-60 Hz	
Väljund	8,4 V cc	
Võimsus	1000 mA	

MÜRATASE

A-korrigeeritud helivõimsustase $L_{pA}=79,3$ dB(A), määramatus K = 3 dB(A)

A-korrigeeritud helivõimsustase $L_{wA}=90,3$ dB(A), määramatus K = 3 dB(A)

Soovitus kasutajale kuulmiskaitse kandmiseks..

VIBRATSIOON

Vibratsiooni koguväärtus=1,214 m/s², määramatus K=1,5 m/s²

Nimetatud vibratsiooni koguväärtus on mõõdetud vastavalt standardsele katsemeetodile ning seda võib kasutada tööriistade võrdlemisel.

Nimetatud vibratsiooni koguväärtust võib samuti kasutada kokkupuute algsel hindamisel.

HOIATUS

Vibratsiooni tase elektrilise tööriista tegelikul kasutamisel võib erineda nimetatud koguväärtusest sõltuvalt tööriista kasutamisest.

See on vajalik, et tuvastada käitaja kaitseks vajalikud ohutusmeetmed, mis põhinevad kokkupuute hinnangul tegelikel kasutustingimustel (võttes arvesse kõiki töötsükli osi, näiteks tööriista väljalülitamise ja tühikäigu ajal) lisaks käivitusaajale.



KOKKUPANEK

DEFINITSIOONID (Joonis 1, 2 ja 10)

- | | | |
|--------------------------------------|-----------------------|-------------------------|
| A : Võimsuse reguleerimisnupp | B : Päästik | C : Akuplokk |
| D : Lahtilukustusnupp | E : Kaitseriiv | F : Salve sulgur |
| G : Alus | H : Salv | I : Pistikupes |
| J : Laadimiskoht | K : Laadija | L : LED-tuli |

AKU EEMALDAMINE JA ÜHENDAMINE

1. Aku **C** eemaldamiseks vajutage lahtilukustusnuppe **D** ning nihutage aku masinast välja (joonis 3).
2. Aku ühendamiseks nihutage seda vastassuunas kuni õigesse asendisse jõudmiseni (joonis 4).

KLAMBRITE/NAELTE SALVE ASETAMINE

1. Vajutage riivi **F** salvel, et eemaldada see klammerdaja korpusest.
2. Nihutage alus **G** tagasi.
3. Asetage klambrid / naelad vastavalt joonistele 8 ja 9.
4. Sulgege salv, lükates alust ettepoole kuni lukustumiseni.

KLAMBRITE/NAELTE SALVEST EEMALDAMINE

1. Vajutage sulgurit **F** salvel, et eemaldada see klammerdaja korpusest.
2. Nihutage alus **G** tagasi.
3. Eemaldage klambrid/naelad salvest.
4. Sulgege salv.

KASUTAMINE

KLAMMERDAMINE / NAELUTAMINE

1. Veenduge, et tööriist on töökorras.
2. Pöörake võimsuse reguleerimisnuppu **A** klambrite/naelte läbistussügavuse reguleerimiseks vastavalt oma tahtele (joonis 5).
3. Vajutage tugevalt kaitseriiv **E** töödeldava detaili vastu kuni see on paar millimeetrit sisse lükatud (joonis 6).
4. Vajutage päästikut **B** ning vabastage see (joonis 7).
5. Päästik **B** on lukustatud kuni kaitseriivi ei vajutata töödeldava detaili vastu, vältides seega juhuslikku töötamist.

LAADIJA KASUTUSJUHEND

Ärge kasutage tööriista laadimisprotsessi ajal.

1. Eemaldage aku tööriistast.
2. Ühendage laadija laadimispunkt **J** akupesaga (joonis 10).
3. Ühendage laadija **K** toitevõrku. → Laadija LED-tuli **L** muutub laadimisel punaseks (joonis 10).
4. Kui aku on täis laetud, muutub laadija LED-tuli roheliseks (joonis 10).
5. Ühendage pistik **I** pesast **I** ja eemaldage laadija **K** toitevõrgust.
 - Laadige ainult siis, kui temperatuur jääb vahemikku 10 °C kuni 50 °C.
 - Laadimisel võib laadija soojaks muutuda: see on tavaline.
 - Ärge hoidke akut kohtades, kus temperatuur võib tõusta üle 50 °C.

MÄRKUS! Parema tulemuse saamiseks suruge tööriist tugevalt töödeldava detaili vastu.

MÄRKUS! Kinnijäänud klambri või naela puhul lugege hoolduse peatükki. ÄRGE vajutage uuesti päästikule kinnijäänud klambri või naela eemaldamiseks, kuna see võib tööriista kahjustada.

MÄRKUS! Tööriista kasutamisel võib see puudutamisel soe olla. See on tavaline, kuid kui tööriist on puudutamisel kuum, laske sel enne uuesti kasutamist jahtuda.

MÄRKUS! Klambripüstolit tohib kasutada ainult ettenähtud otstarbel. Kõnealune tööriist on mõeldud isiklikuks kasutamiseks puu, papi, isoleermaterjali, kanga, fooliumi, naha ja sarnaste materjalide klammerdamiseks puu või sarnase materjali pinnale.

MÄRKUS! Kasutage tööriista ainult selleks spetsiaalselt mõeldud akuga.

HOOLDUS

STANDARDHOOLDUS

1. Kontrollige kõik kruvid üle ning keerake vajadusel need kõvemini kinni.
2. Ventilaatorid ei tohi olla tolmused ja mustad.
3. Eemaldage aku enne tööriista puhastamist.
4. Puhastage tööriista kuiva või niiske riidega. ÄRGE kasutage mis tahes lahustit.
5. Hoidke salve kanal puhtana.
6. ÄRGE õlitage või määrige mis tahes osasid.
7. Veenduge, et klambripüstol ei ole kahjustatud. Vahetage üle parandage see enne kasutamist.

KINNIJÄÄNUD KLAMBRI/NAELA EEMALDAMINE

1. Vajutage riivi **F** salvel, et eemaldada see klammerdaja korpusest.
2. Nihutage alus **G** tagasi.
3. Võtke lahtised klambri/naelad salvest välja.
4. Kasutage terava otsaga nõõpnõela kinnijäänud klambrite eemaldamiseks.

HOIATUS!

ÄRGE muutke kõnealuse klambripüstoli osasid või ühendage selle külge spetsiaalseid seadmeid. See võib põhjustada vigastusi.

Kui tööriist/laadija ei tööta hoolimata hoolikalt läbiviidud tootmisest ja katsetamisest, peab parandustööd teostama kiirtööriistade müügiärgne teeninduskeskus.



KESKKOND

Eraldi vastuvõtupunktid. Ärge visake elektrilisi tööriistu olmejäätmete hulka! Vastavus Euroopa direktiivile 2012/19/EÜ elektri- ja elektroonikaseadmete jäätmete kohta.

- Kui tööriista peab välja vahetama või seda ei saa enam kasutada, peab selle viima eraldi kogumiskeskusesse ringlussevõtuks.
- Aku: akud on korduvkasutatavad.

Akut võib mitmeid kordi uuesti laadida. Nende kasuliku tööea lõppemisel kasutage akut täielikult tühjaks saamiseni ning eemaldage see seejärel tööriistast ja viige kohaliku ringlussevõtupunkti.



BTX530 / BTX140

Originaliü instrukcijü vertimas



Atitinka atitinkamas ES direktyvas



BENDRIEJI SAUGOS ĮSPĖJIMAI NAUDOJANTIS ELEKTRINIŲ ĮRANKIŲ

ĮSPĖJIMAS! Perskaitykite visus saugos įspėjimus, instrukcijas, iliustracijas ir specifikacijas, pateikiamas su šiuo elektriniu įrankiu. Visų toliau pateiktų nurodymų nesilaikymas gali tapti elektros smūgio, gaisro ir (arba) sunkių sužalojimų priežastimi.

Saugokite šiuos įspėjimus ir instrukcijas ateičiai.

Įspėjimuose vartojamas terminas „elektrinis įrankis“ apibūdina iš elektros tinklo maitinamus įrankius (su maitinimo laidu) arba akumuliatorinius įrankius (be maitinimo laidu).

1) DARBO VIETOS SAUGUMAS

- a) **Darbo vieta turi būti tvarkinga ir gerai apšviesta.** Netvarkinga ir prastai apšviesta darbo vieta gali tapti nelaimingų atsitikimų priežastimi.
- b) **Elektrinių įrankių nenaudokite sprogiose aplinkose, pavyzdžiui, greta degių skysčių, dujų ar dulkių.** Elektriniai įrankiai sukelia žiežirbas, kurios gali uždegti dulkes ar garus.
- c) **Dirbdami elektriniu įrankiu, neleiskite greta stovėti pašaliniam asmenims, vaikams ar lankytojams.** Nukreipę dėmesį kitur, galite nesuvaldyti įrankio.

2) ELEKTRINĖ SAUGA

- a) **Elektrinio įrankio kištukas turi tiktai lizdui.** Niekada nebandykite kištuko koku nors būdu keisti. Su įžemintais elektriniais įrankiais nenaudokite jokių kištuko adapterių. Elektros lizdai tinkantys nepakeisti kištukai sumažina elektros šoko riziką.
- b) **Venkite liestis prie įžemintų paviršių, pavyzdžiui, vamzdžių, radiatorių, viryklių ir šaldytuvų.** Elektros šoko rizika padidėja, kai jūsų kūnas yra įžemintas.
- c) **Nelaikykite elektrinio įrankio lietuje ar drėgmėje.** Į elektros įrankį patekęs vanduo padidina elektros šoko riziką.
- d) **Nenaudokite maitinimo laidu ne pagal paskirtį.** Nenaudokite laidu įrankio nešimui ar išjungimui iš elektros lizdo. Laidą



laikykite toliau nuo karščio, alyvų, aštrių kampų ir judančiųjų dalių. Pažeistas ar susipainiojęs laidas padidina elektros šoko riziką.

- e) **Naudodami elektrinį įrankį lauke, naudokite tam tinkantį ilginimo kabelį.** Tinkančio darbui lauke kabelio naudojimas sumažina elektros šoko riziką.
- f) **Jei išvengti darbo drėgnoje aplinkoje neįmanoma, naudokite žeminimo grandinės pertraukiklį.** Žeminimo grandinės pertraukiklio naudojimas sumažina elektros šoko riziką.

3) ASMENINĖ SAUGA

- a) **Naudodami įrankį būkite budrūs, stebėkite ką darote ir naudokitės sveiku protu.** Elektrinio įrankio nenaudokite, jei esate pavargę, paveikti narkotikų, alkoholio ar vaistų. Neatidumas dirbant elektriniu įrankiu gali baigti rimtu sužalojimu.
- b) **Naudokite asmeninės apsaugos priemones. Visada užsidėkite akių apsaugą.** Susižalojimo riziką sumažina apsauginių priemonių, pavyzdžiui, kaukių nuo dulkių, neslidžių batų, šalmų ar ausų apsaugų, naudojimas.
- c) **Saugokitės nuo atsitiktinio prietaiso įjungimo. Įsitikinkite, kad prieš jungiant prietaisą į elektros lizdą ar įdedant akumuliatorių, jis yra išjungtas.** Jei nešdami prietaisą pirštą laikysite ant jungiklio arba įjungsite prietaisą, kai jungiklis yra įjungtas, gali įvykti nelaimingas atsitikimas.
- d) **Prieš įjungdami įrankį pašalinkite reguliuojančius raktus ar veržliarakčius.** Prie besisukančios dalies likęs veržliaraktis ar raktas gali būti susižalojimo priežastimi.
- e) **Nepervertinkite savo galimybių. Visada tvirtai atsistokite ir laikykite pusiausvyrą.** Taip geriau sukontroliuosite prietaisą netikėtose situacijose.
- f) **Tinkamai apsirenkite. Nedėvėkite laisvų drabužių ar papuošalų. Plaukus, drabužius ir pirštines saugokite nuo judančiųjų dalių.** Palaidi rūbai, papuošalai ar ilgi plauki gali būti įtraukti į judančias dalis.
- g) **Jei yra numatyta galimybė prijungti dulkių nusiurbimo ir surinkimo įrenginius, visada įsitikinkite, ar jie yra prijungti ir ar teisingai naudojami.** Dulkių surinkimo įrenginių naudojimas sumažina su dulkėmis susijusių pavojų riziką.

4) ELEKTRINIO ĮRANKIO NAUDOJIMAS IR PRIEŽIŪRA

- a) **Neperkraukite įrankio. Naudokite konkrečiam darbui tinkamą įrankį.** Tinkamu įrankiu darbą atliksite geriau ir saugiau.
- b) **Elektrinio įrankio nenaudokite, jei negalite jo jungikliu įjungti ir išjungti.** Bet koks elektrinis įrankis, kurio negalima reguliuoti jungikliu, yra pavojingas ir jį reikia remontuoti.
- c) **Prieš reguliuodami įrankį, keisdami priedus ar prieš padėdami įrankį laikymui, įsitikinkite, ar jis yra išjungtas.** Tokios saugumo priemonės sumažina netyčinio įrenginio įsijungimo riziką.
- d) **Nenaudojamą įrankį laikykite vaikams ir nemokantiems juo naudotis asmenims neprieinamoje vietoje.** Elektrinis įrankis tampa pavojingu juo naudotis nemokančiųjų rankose.
- e) **Elektrinio įrankio ir priedų priežiūra. Patikrinkite judančiąsias jo dalis dėl pažeidimų ar kitų gedimų, kurie gali turėti įtakos įrankio veikimui. Jei įrankis pažeistas, prieš vėl jį naudodami, suremontuokite.** Daugybė nelaimingų atsitikimų nutinka dėl netinkamai prižiūrimų elektrinių įrankių.
- f) **Pjovimo įrankiai turi būti aštrūs ir švarūs.** Tinkamai prižiūrimus aštrius pjovimo briaunas turinčius įrankius yra sunkiau pažeisti ir lengviau valdyti.

- g) **Elektrinį įrankį, priedus, grąžtus ir t. t. naudokite taip, kaip nurodyta šioje instrukcijoje, atsižvelgdami į darbo sąlygas ir atliekamą darbą.** Įrankio naudojimas ne pagal paskirtį gali būti pavojingų situacijų susidarymo priežastimi.
- h) **Rankenos ir suimami paviršiai turi būti sausi, švarūs ir neriebaluoti bei netepaluoti.** Slidžios rankenos ir slidūs suimami paviršiai neleidžia saugiai naudoti ir valdyti įrankio netikėtose situacijose.

5) RŪPESTINGA AKUMULIATORINIŲ ĮRANKIŲ PRIEŽIŪRA IR NAUDOJIMAS

- a) **Akumuliatoriui įkrauti naudokite tik tuos įkroviklius, kuriuos rekomenduoja gamintojas.** Naudojant kitokio tipo akumuliatoriams skirtą įkroviklį, išskyla gaisro pavojus.
- b) **Su elektriniu įrankiu galima naudoti tik jam skirtą akumuliatorių.** Naudojant kitokius akumuliatorius išskyla susižalojimo ir gaisro pavojus.
- c) **Nenaudodami akumuliatoriaus, laikykite jį toliau nuo kitų metalinių objektų, pavyzdžiui, sąvaržėlių, monetų, raktų, vinių, varžtų ar kitų metalinių objektų.** Užtrumpinus akumuliatoriaus kontaktus galima nusideginti ar sukelti gaisrą.
- d) **Netinkamai naudojant akumuliatorių, iš jo gali ištekėti skystis.** Venkite kontakto su šiuo skysčiu. Jei skysčio pateko ant odos, nuplaukite jį vandeniu, jei pateko į akis – nedelsdami kreipkitės į gydytoją. Akumuliatoriaus skystis gali sudirginti ar nudeginti odą.
- e) **Nenaudokite akumuliatoriaus ar įrankio, kurie yra sugadinti ar modifikuoti.** Pažeistų ar modifikuotų akumuliatorių funkcionavimas gali būti nenusipėjamas ir sukelti gaisrą, sprogo ar sužalojimo riziką.
- f) **Nelaikykite akumuliatoriaus ar įrankio prie ugnies ar pernelyg didelėje temperatūroje.** Gaisro ar temperatūros, viršijančios 130 °C / 265 °F, poveikis gali sukelti sprogo.
- g) **Laikykitės visų įkrovimo nurodymų ir nekraukite akumuliatoriaus ar įrankio esant kitai, nei nurodyta, temperatūrai.** Netinkamas įkrovimas arba nurodytos temperatūros nesilaikymas gali sugadinti akumuliatorių ir padidinti gaisro pavojų.

6) PRIEŽIŪRA

- a) **Įrankio priežiūrą gali atlikti tik kvalifikuotas specialistas, naudojantis originalias atsargines dalis.** Taip užtikrinamas įrankio saugumas.
- b) **Niekada patys netaisykite pažeistų akumuliatorių.** Akumuliatorių remontą gali atlikti tik gamintojas arba įgaliotieji paslaugų teikėjai.

KABIŲ KALIMO ĮRANKIO SAUGOS ĮSPĖJIMAI

- **Nepamirškite, kad įrankyje yra kabių.** Neatsargiai naudojamas kabių kalimo įrankis gali netikėtai iššauti ir sužeisti.
- **Nenukreipkite įrankio į save ar kitus asmenis.** Netikėtas gaiduko paspaudimas iššaus kabę, kuri gali sužeisti.
- **Nejunkite įrankio, jei jis nėra tvirtai prispaustas prie apdirbamos medžiagos.** Jei įrankis nėra prispaustas prie apdirbamos medžiagos, kabės gali pataikyti ne ten kur reikia.
- **Kabėms įstrigus įrankyje, išjunkite jį iš elektros šaltinio.** Išimant įstrigusias kabes įrankį išjunkite, nes jis gali netikėtai įsijungti.
- **Užstrigusias kabes imkite atsargiai.** Mechanizme gali būti susidaręs slėgis, todėl bandant išimti įstrigusias kabes, jos gali iššauti.
- **Nenaudokite šio kabių kalimo įrankio elektrinių laidų tvirtinimui.** Įrankis nėra skirtas elektrinių laidų tvirtinimui ir gali pažeisti izoliacinį sluoksnį bei sukelti elektros šoką ar gaisrą.

TECHNINIAI DUOMENYS

Akumuliatorinė kabiakalė, modelio numeris	BTX530	BTX140
Kabės tipas	Rapid 53	Rapid 140
Kabės ilgis	6–14 mm	6–14 mm
Dėtuvės kabių talpa, maks.	112 vnt.	66 vnt.
Vinutės tipas, ilgis	Rapid T8, 15–30 mm	
Dėtuvės vinučių talpa, maks.	66 vnt.	
Įrankio matmenys (įskaitant akumuliatorių) A x P x I	195 x 60 x 220 mm	
Įrankio svoris	1,360 kg	
Akumuliatorius		
Tipas, įtampa	Ličio jonų, 7,2 V	
Galia	1300 mAh	
Įkrovimo laikas	90 min.	
Šūvių skaičius po vieno įkrovimo, maks.	≈ 1500 šūvių	
Greitis, maksimalus nuolatinis	20 šūvių per minutę	
Įkroviklis		
Įėjimas	100–240 V, 50–60 Hz	
Išėjimas	8,4 V cc	
Galia	1000 mA	

TRIUKŠMO EMISIJA

Garso slėgio lygis: $L_pA=79,3$ dB(A), paklaida: $K=3$ dB(A)

Garso slėgio lygis: $L_wA=90,3$ dB(A), paklaida: $K=3$ dB(A)

Rekomenduojama operatoriui dėvėti klausos apsaugos priemonės.

VIBRACIJA

Vibracijos reikšmė = $1,214$ m/s², paklaida: $K=1,5$ m/s²

Vibracijos reikšmė nustatyta remiantis standartiniu testavimo metodu. Šią reikšmę galima naudoti lyginant kelis įrankius.

Nustatytą vibracijos reikšmę taip pat galima naudoti preliminariame poveikio vertinime.

ĮSPĖJIMAS

Vibracijos emisija naudojant elektrinį įrankį gali skirtis nuo deklaruotos bendrosios vertės, priklausomai nuo įrankio naudojimo būdų.

Turi būti nustatytos operatoriaus apsaugos priemonės, pagrįstos poveikio vertinimu faktinėmis naudojimo sąlygomis (atsižvelgiant į visas darbo ciklo dalis, pvz., laiką, kai įrankis yra išjungtas ir kai jis veikia tuščiaja eiga, pridėdam paleidimo laiką).



SURINKIMAS

APIBRĖŽIMAI, (1, 2 ir 10 pav.)

A : Galios reguliavimo rankenėlė

B : Gaidukas

C : Akumuliatorius

D : Atrakavimo mygtukai

E : Apsauginė jungtis

F : Dėtuvės užšovas

G : Takelis

H : Dėtuvė

I : Kištukinis lizdas

J : Įkrovimo vieta

K : Įkroviklis

L : Šviesos diodas

AKUMULIATORIAUS IŠĖMIMAS IR PRIJUNGIMAS

- Norėdami akumuliatorių **C** išimti, paspauskite fiksuojančius mygtukus **D** ir jį išimkite (3 pav.).
- Norėdami akumuliatorių įdėti, kiškite jį priešinga išėmimui kryptimi, kol išgirsite spragtelėjimą (4 pav.).

KABIŲ / VINUČIŲ ĮDĖJIMAS Į DĖTUVĘ

- Paspauskite dėtuvės užšovą **F**, kad atrakintumėte kabių kalimo įrankį.
- Ištraukite takelį **G**.
- Sudėkite kabės / vinutes, kaip parodyta 8 ir 9 paveiksluose.
- Uždarykite dėtuvę, spausdami takelį į priekį.

KABIŲ / VINUČIŲ IŠĖMIMAS IŠ DĖTUVĖS

- Paspauskite dėtuvės užšovą **F**, kad atrakintumėte kabių kalimo įrankį.
- Ištraukite takelį **G**.
- Iš dėtuvės išimkite kabės / vinutes.
- Dėtuvę uždarykite.

VEIKIMAS

KABIŲ / VINUČIŲ KALIMAS

- Įsitikinkite, kad įrankis tinkamai veikia.
- Sukite galios reguliavimo rankenėlę **A**, kad sureguliuotumėte norimą kabių / vinučių įkalimo gylių (5 pav.).
- Stipriai spauskite apsauginę apkabą **E** prie apdirbamo ruošinio, kol ji įsispaus per kelis milimetrus (6 pav.).
- Spustelėkite gaiduką **B** ir vėl jį atleiskite (7 pav.).
- Gaidukas **B** yra užfiksuotas tol, kol jūs apsauginės apkabos neprispaudžiate prie apdirbamo ruošinio. Tokiu būdu išvengiama netyčinio naudojimo.

ĮKROVIKLIO NAUDOJIMO INSTRUKCIJA

Įkrovimo metu įrankio nenaudokite.

1. Išimkite iš įrankio akumulatorių.
2. Prie įkroviklio įkrovimo vietos **I** prijunkite akumulatoriaus lizdą **I** (10 pav.).
3. Įkroviklį **K** įjunkite į elektros tinklą. → Šviesos diodas **L** įkroviklyje krovimo metu degs raudona spalva (10 pav.).
4. Kai akumulatorius bus įkrautas, šviesios diodas **L** taps žalios spalvos (10 pav.).

5. Ištraukite kištuką **I** iš lizdo **I** ir ištraukite įkroviklį **K** iš tinklo.

- Įkraukite tik tokiose vietose, kuriose aplinkos temperatūra yra tarp 10 °C ir 50 °C.
- Įkrovimo metu įkroviklis gali įšilti: tai visiškai normalu.
- Nelaikykite akumulatoriaus tokiose vietose, kur temperatūra gali būti aukštesnė kaip 50 °C.

PASTABA: norėdami pasiekti geresnių rezultatų, įrankį tvirtai prispauskite prie apdirbamos medžiagos.

PASTABA: įstrigus kabei ar vinutei, informacijos ieškokite priežiūros skyriuje. Pakartotinai iš įrankio neiššaukite norėdami pašalinti kamštį, nes tai gali pažeisti įrankį.

PASTABA: naudojamas įrankis gali šiek tiek įkaisti. Tai normalu, tačiau jei įrankis įkaista stipriai, jį išjunkite ir leiskite atvėsti.

PASTABA: Kabių kalimo įrankį galima naudoti tik pagal paskirtį. Šis asmeninio naudojimo įrankis yra skirtas medienos, kartono, izoliacinių medžiagų, medžiagos, folijos, odos ir panašių medžiagų prikalmui prie medienos ar į medieną panašių medžiagų.

PASTABA: įrankį naudokite tik su tam skirtu akumulatoriumi.

PRIEŽIŪRA

STANDARTINĖ PRIEŽIŪRA

1. Patikrinkite visus varžtus ir, jei reikia, juos priveržkite.
2. Patikrinkite, ar angose nėra dulkių ir purvo.
3. Prieš įrankį valydami, akumulatorių išimkite.
4. Įrankį nuvalykite sausa arba drėgna šluoste. NIEKADA nenaudokite jokių tirpiklių.
5. Išvalykite dėtvės kanalą.
6. NENAUDOKITE jokių alyvų ar tepalų dalims sutepti.
7. Įsitinkite, ar įrankis nėra pažeistas. Prieš naudodami, pakeiskite dalis arba suremontuokite.

ĮSTRIGUSIŲ KABIŲ / VINUČIŲ ŠALINIMAS

1. Paspauskite dėtvės užšovą **F**, kad atrakintumėte kabių kalimo įrankį.
2. Ištraukite takelį **G**.
3. Iš dėtvės išimkite palaidas kabes / vinutes.
4. Jei norite išimti įstrigusią kabę / vinutę, naudokite smeigtuką aštriu galu.

ĮSPĖJIMAI

NEKEISKITE šio įrankio dalių ar jo priedų. Tai gali tapti susižalojimo priežastimi.

Jei, nepaisant kruopščių gamybos ir bandymų procedūrų, įrankis / įkroviklis sugestų, remontas turėtų būti atliekamas „Rapid“ įrankių aptarnavimo centre.



APLINKA

Surinkite atskirai. Nešalinkite elektrinių įrankių kartu su buitinėmis atliekomis! Remkitės elektrinės ir elektroninės įrangos šalinimo Europos direktyvos 2012/19/EU reikalavimais.

- Nenaudojamus įrankius galima atvežti į surinkimo centrą perdirbimui.
- Akumulatorius: akumulatoriai tinka perdirbimui.
- Akumulatorių galima įkrauti daug kartų. Baigiantis tarnavimo laikui, akumulatorių visiškai iškraukite, tada išimkite iš įrankio ir atgabenkite į vietinę perdirbimo stotį.



BTX530 / BTX140

Sąkotnėjo lietošanas norādījumu tulkojums



Atbilst piemērojamajiem ES direktīvām



VISPĀRĒJI ELEKTROINSTRUMENTU DROŠĪBAS BRĪDINĀJUMI

UZMANĪBU! Iepazīstieties ar visiem šim elektroinstrumentam līdzī nākošajiem brīdinājumiem, instrukcijām, ilustrācijām un specifikācijā. Neievērojot tālāk norādītās instrukcijas, varat saņemt elektrisko triecienu, izraisīt aizdegšanos un/vai nopietnas traumas.

Pēc izlasīšanas saglabājiet šos noteikumus turpmākai izmantošanai.

Turpmākajā izklāstā lietotais apzīmējums “elektroinstrumenti” attiecas gan uz tīkla elektroinstrumentiem (ar elektrokabeļi), gan arī uz akumulatora elektroinstrumentiem (bez elektrokabeļa).

1) DROŠĪBA DARBA VIETĀ



- a) **Sekojiet, lai darba vieta būtu tīra un labi apgaismota.** Uz nekārtīgiem darbgaldiem vai sliktā apgaismojumā var viegli notikt nelaimes gadījums.
- b) **Nelietojiet elektroinstrumentus eksplozīvā vidē, piemēram, uzliesmojošu šķidrumu, gāzu vai putekļu tuvumā.** Darba laikā instruments nedaudz dzirksteļo, un tas var izsaukt viegli degošu putekļu vai tvaiku aizdegšanos.
- c) **Lietojot elektroinstrumentu, neļaujiet nepiederošām personām, bērniem un apmeklētājiem tuvoties darba vietai.** Citu personu klātbūtne var novērst uzmanību, un tā rezultātā jūs varat zaudēt kontroli pār instrumentu.

2) ELEKTRODROŠĪBA

- a) **Elektroinstrumenta kontaktdakšai jābūt piemērotai elektrotīkla kontaktligzdai. Kontaktdakšas konstrukciju nedrīkst nekādā veidā mainīt. Nelietojiet kontaktdakšas salāgotājus, ja elektroinstrumenti caur kabeli tiek savienoti ar aizsargzemējuma ķēdi.** Neizmainītas konstrukcijas kontaktdakša, kas piemērota kontaktligzdai, ļauj samazināt elektriskā trieciena saņemšanas risku.
- b) **Darba laikā nepieskarieties saņemtiem priekšmetiem, piemēram, caurulēm, radiatoriem, plītiem vai ledusskapjiem.** Pieskaroties saņemtām virsmām, pieaug risks saņemt elektrisko triecienu.
- c) **Nelietojiet elektroinstrumentu lietus laikā, neturiet to mitrumā.** Mitrumam iekļūstot instrumentā, pieaug risks saņemt elektrisko triecienu.
- d) **Nenesiet un nepiekariet elektroinstrumentu aiz elektrokabeļa. Neraužiet aiz kabeļa, ja vēlaties atvienot instrumentu no elektrotīkla kontaktligzdas. Sargājiet elektrokabeļi no karstuma, eļļas, asām šķautnēm un instrumenta kustīgajām daļām.** Bojāts vai samezģlojies elektrokabeļis var būt par cēloni elektriskajam triecienam.
- e) **Darbinot elektroinstrumentu ārpus telpām, izmantojiet tā pievienošanai vienīgi tādus pagarinātājkabeļus, kuru lietošana ārpus telpām ir atļauta.** Lietojot elektrokabeļi, kas piemērots darbam ārpus telpām, samazinās risks saņemt elektrisko triecienu.
- f) **Ja elektroinstrumentu tomēr nepieciešams lietot vietās ar paaugstinātu mitrumu, izmantojiet tā pievienošanai zemslēguma ķēdes pārtraucēju.** Lietojot zemslēguma ķēdes pārtraucēju, samazinās risks saņemt elektrisko triecienu.

3) PERSONISKĀ DROŠĪBA

- a) **Darba laikā saglabājiet paškontroli un rīkojieties saskaņā ar veselo saprātu. Pārtrauciet darbu, ja jūtaties noguris vai atrodaties alkohola, narkotiku vai medikamentu izraisītā reibumā.** Strādājot ar elektroinstrumentu, pat viens neuzmanības mirklis var būt par cēloni nopietnam savainojumam.
- b) **Izmantojiet individuālos darba aizsardzības līdzekļus. Darba laikā vienmēr nēsājiet aizsargbrilles.** Individuālo darba aizsardzības līdzekļu (putekļu maskas, neslidošu apavu un aizsargķiveres vai ausu aizsargu) pielietošana atbilstoši elektroinstrumenta tipam un veicamā darba raksturam ļauj izvairīties no savainojumiem.
- c) **Nepieļaujiet elektroinstrumenta patvaļīgu ieslēgšanos. Pirms instrumenta pieslēgšanas barošanas avotam un/ vai akumulatoram, kā arī paņemot vai nesot instrumentu, pārliecinieties, ka tas ir izslēgts.** Pārnesot elektroinstrumentu, ja

pirksts atrodas uz ieslēdzēja, kā arī pievienojot to elektrobarošanas avotam laikā, kad elektroinstrumenti ir ieslēgti, var viegli notikt nelaiemes gadījums.

- d) **Pirms instrumenta ieslēgšanas neaizmirstiet izņemt no tā regulējošos instrumentus vai skrūvjatslēgas.** Patronatslēga vai skrūvjatslēga, kas pievienota kādai no elektroinstrumenta kustīgajām daļām, var radīt savainojumu.
- e) **Strādājot ar elektroinstrumentu, ieturiet stingru stāju. Darba laikā vienmēr saglabājiet līdzsvaru un centieties nepaslidēt.** Tas atvieglos instrumenta vadību neparedzētās situācijās.
- f) **Izvēlieties darbam piemērotu apģērbu. Darba laikā nenēsājiet brīvi plandošas drēbes vai rotaslietas. Netuviniet matus, apģērbu un aizsargcimdus instrumenta kustīgajām daļām.** Valīgas drēbes, rotaslietas un gari mati var iekerties instrumenta kustīgajās daļās.
- g) **Ja elektroinstrumentam ir paredzētas putekļu nosūkšanas un savākšanas ierīces, sekojiet, lai tās tiktu pievienotas elektroinstrumentam un pareizi darbotos.** Putekļu savācēju izmantošana mazinās putekļu kaitīgo ietekmi.
- h) **Neļaujiet ieradumam, kas izveidojas instrumentu bieži lietojot, novest pie drošības principu neievērošanas.** Neuzmanīga rīcība īsā mirklī var izraisīt nopietnas traumas.

4) ELEKTROINSTRUMENTU LIETOŠANA UN APKOPE

- a) **Nepārslogojiet elektroinstrumentu. Katram darbam izvēlieties piemērotu instrumentu.** Elektroinstrumenti darbosies labāk un drošāk pie nominālās slodzes.
- b) **Nelietojiet elektroinstrumentu, ja ir bojāts tā ieslēdzējs.** Elektroinstrumenti, ko nevar ieslēgt un izslēgt, ir bīstami lietošanai, un to nepieciešams remontēt.
- c) **Pirms elektroinstrumenta regulēšanas, papildaprīkojuma nomaiņas vai tā novietošanas glabāšanai atvienojiet to no barošanas avota un/vai akumulatora. Šādi iespējams mazināt elektroinstrumenta nejaušas ieslēgšanās risku.**
- d) **Elektroinstrumentu, kas netiek darbināts, uzglabājiet vietā, kur tas nav sasniedzams bērniem un personām, kuras neprot rīkoties ar instrumentu vai kuras nav izlasījušas tā lietošanas norādījumus.** Ja elektroinstrumentu lieto nekompetentas personas, tas var apdraudēt cilvēku veselību.
- e) **Apkopiet elektroiekārtu un tās papildpiederumus. Pārbaudiet, vai kustīgās detaļas nav nobīdījušās vai iestrēgušas, vai detaļas nav sabojātas, un vai nav nekādu citu problēmu, kas varētu ietekmēt elektroinstrumenta izmantošanu. Bojājumu gadījumā elektroinstrumentu pirms izmantošanas ir nepieciešams saremontēt.** Daudzi nelaiemes gadījumi notiek tāpēc, ka elektroinstrumenti pirms lietošanas nav pienācīgi apkalpoti.
- f) **Savlaicīgi notīriet un uzasiniet griezošos darbinstrumentus.** Rūpīgi kopti griezējinstrumenti ar uzasinātām griezējšķautnēm ļauj strādāt daudz ražīgāk un ir vieglāk vadāmi.
- g) **Lietojiet vienīgi tādus elektroinstrumentus, papildpiederumus, darbinstrumentus utt., kas paredzēti attiecīgajam pielietojuma veidam. Turklāt jāņem vērā arī konkrētie darba apstākļi un pielietojuma īpatnības.** Elektroinstrumentu lietošana citiem mērķiem, nekā to ir paredzējusi ražotājs, ir bīstama un var izraisīt neparedzamas sekas.
- h) **Turiet rokturus un satveršanas virsmas sausas, tīras un brīvas no eļļas un taukiem.** Negaidītās situācijās slideni rokturi un satveršanas virsmas neļaus iekārtu droši noturēt un kontrolēt.

5) AKUMULATORA LIETOŠANA UN APKOPE

- a) **Uzlāde atļauta tikai ar ražotāja norādīto lādētāju.** Vienam akumulatora tipam piemērots lādētājs var radīt aizdegšanās risku, ja to izmanto ar cita tipa akumulatoru.
- b) **Elektroinstrumentu izmantojiet tikai ar speciāli paredzētajiem akumulatoriem.** Citu akumulatoru izmantošana rada traumu un aizdegšanās risku.
- c) **Kad akumulators netiek izmantots, neglabājiet to blakus citiem metāla priekšmetiem (saspraudēm, monētām, atslēgām, naglām, skrūvēm u.tml.), kas var izveidot savienojumu starp abām spailēm.** Issavienojums pie akumulatora spailēm var izraisīt apdegumus vai ugunsgrēku.
- d) **Nepiemērotos apstākļos no akumulatora var izlīst šķidrums; tam nepieskarieties. Ja esat ar to saskārušies, skarto vietu noskalojiet ūdenī.** Šķidrumam iekļūstot acīs, meklējiet medicīnisko palīdzību. No baterijas izlijušais šķidrums var izraisīt ādas kairinājumu un apdegumus.
- e) **Neizmantojiet bojātu vai modificētu akumulatoru vai instrumentu.** Bojāti vai modificēti akumulatori var uzvesties neparedzami un aizdegties, eksplodēt un traumēt lietotāju.
- f) **Nepakļaujiet akumulatoru vai instrumentu uguns, vai karstuma iedarbībai.** Pakļaušana uguns vai temperatūras virs 130°C/265 °F iedarbībai var izraisīt eksploziju.
- g) **Sekojiet visām uzlādes instrukcijām un nelādējiet akumulatoru vai instrumentu temperatūrā, kas atrodas ārpus instrukcijā norādītā diapazona.** Nepareiza uzlāde vai lādēšana temperatūrā, kas atrodas ārpus norādītā diapazona, var bojāt akumulatoru vai paaugstināt tā aizdegšanās risku.

6) APKALPOŠANA

- a) **Nodrošiniet, lai elektroinstrumenta remontu veiktu kvalificēts personāls, nomainot tikai oriģinālās rezerves daļas un piederumus.** Tikai tā ir iespējams nodrošināt elektroinstrumenta ilgstošu un nevainojamu darbību bez atteicēm.
- b) **Nekad neizmantojiet bojātu akumulatoru.** Akumulatora apkalpošanu var veikt tikai ražotājs vai autorizēts pakalpojuma sniedzējs.

DROŠĪBAS BRĪDINĀJUMI ATTIECĪBĀ UZ SKAVOTĀJU

- **Vienmēr pieņemiet, ka instrumentā atrodas skavas.** Skavotāja neuzmanīga lietošana var izraisīt skavu negaidītu izšaušanu un radīt ievainojumus.
- **Nevērsiet instrumentu pret sevi vai tuvumā esošajiem.** Negaidītas iedarbināšanas rezultātā var izšauties skava, radot ievainojumus.
- **Neiedarbiniet instrumentu, kamēr tas nav cieši piespiests darba materiālam. Ja instruments nepieskaras materiālam, skava var no tā atlēkt.**
- **Izņemot iestrēgušas skavas, atvienojiet instrumentu no akumulatora.** Ja skavotājs ir pieslēgts elektrībai, izņemot iestrēgušu skavu, tas var tikt nejauši iedarbināts.
- **Ievērojiet piesardzību, izņemot iestrēgušu skavu.** Mehānisms var būt pakļauts spiedienam, un, cenšoties atbrīvot iestrēgušu skavu, tā var izšauties.
- **Neizmantojiet šo skavotāju elektrības kabeļu piestiprināšanai.** Tas nav paredzēts elektrības kabeļu piestiprināšanai un var sabojāt to izolāciju, tādējādi radot elektrības triecienu risku vai apdraudot ugunsdrošību.

TEHNISKIE PARAMETRI

Elektriskais skavotājs, modeļa numurs	BTX530	BTX140
Skavu tips	Rapid 53	Rapid 140
Skavu garums	6-14 mm	6-14 mm
Skavu kasetes ietilpība, maks.	112 gab.	66 gab.
Tapu tips, garums	Rapid T8, 15-30 mm	
Tapu kasetes ietilpība, maks.	66 gab.	
Instrumenta izmēri (iesk. akumulatoru) A x P x G	195 x 60 x 220 mm	
Instrumenta svars	1,360 kg	
Akumulators		
Tips, Spriegums	Li-Ion, 7,2 V	
Ietilpība	1300 mAh	
Uzlādes laiks	90 min.	
Šāvienu ar vienu uzlādes reizi, maks.	≈ 1500 šāvienu	
Ātrums, maksimālais pastāvīgais	20 šāvienu/min.	
Lādētājs		
Ievade	100-240V, 50-60Hz	
Izvade	8,4 V cc	
Jauda	1000 mA	

TROKŠŅA EMISIJA

A-izsvartais skaņas spiediena līmenis $L_pA=79,3$ dB(A), mainīgums $K = 3$ dB(A)

A-izsvartais skaņas jaudas līmenis $L_wA=90,3$ dB(A), mainīgums $K = 3$ dB(A)

Ieteicams darba laikā instrumenta operatoram lietot dzirdes aizsardzības līdzekļus.

VIBRĀCIJAS

Vibrācijas kopējā vērtība $=1,214$ m/s², mainīgums $K=1,5$ m/s²

Deklarētā vibrācijas kopējā vērtība noteikta saskaņā ar standarta testēšanas metodi, un to var izmantot, lai salīdzinātu instrumentus.

Deklarēto vibrācijas kopējo vērtību var izmantot arī provizorisks iedarbības novērtējumā.

UZMANĪBU

Vibrācijas emisija elektroinstrumenta faktiskās lietošanas laikā var atšķirties no deklarētās kopējās vērtības atkarībā no instrumenta izmantošanas veida.

Lai aizsargātu instrumenta operatoru, jāidentificē drošības pasākumi, kam par pamatu jābūt faktiskajiem izmantošanas apstākļiem (ievērojot visas izmantošanas cikla daļas, piemēram, papildu izmantošanas laiku arī laiku, kurā instruments ir izslēgts vai darbojas brīvgaitā).



MONTĀŽA

DEFINĪCIJAS (1., 2. un 10. attēls)

A : Strāvas regulēšanas poga

B : Mēlīte

C : Akumulatora pakotne

D : Atbloķēšanas pogas

E : Drošības aptverē

F : Kasetes aizbīdņi

G : Sliede

H : Kasete

I : Kontaktligzda

J : Uzlādes punkts

K : Lādētājs

L : Gaismas diode

AKUMULATORA NOŅEMŠANAS UN PIEVIEŅOŠANA

- Lai izņemtu akumulatoru **C**, nospiediet atbloķēšanas pogu **D** un izbīdīet akumulatoru no ierīces (3. attēls).
- Lai akumulatoru pievienotu, pabīdīet to pretējā virzienā, līdz noklikšķ savienojums (4. attēls).

SKAVU/TAPU IELĀDE KASETĒ

- Nospiediet kasetes aizbīdņi **F**, lai to atbrīvotu no skavotāja.
- Bīdīet sliedi **G** uz aizmuguri.
- Ievietojiet skavu/tapu lentes, kā tas redzams 8. un 9. attēlā.
- Aizveriet kaseti, pavisot sliedi uz priekšu līdz tā nobloķējās.

SKAVU/TAPU IZŅEMŠANA NO KASETES

- Nospiediet kasetes aizbīdņi **F**, lai to atbrīvotu no skavotāja.
- Bīdīet sliedi **G** uz aizmuguri.
- Izņemiet skavas/tapas no kasetes.
- Aizveriet kaseti.

PIELIETOŠANA

SKAVOŠANA/NAGĻOŠANA

- Pārlicinieties, vai instruments ir labā darba kārtībā.
- Pagrieziet strāvas regulēšanas pogu **A**, lai pielāgotu skavu/tapu iespiešanās dziļumu pēc vajadzības (5. attēls).
- Cieši piespiediet drošības aptveri **E** pret darba virsmu līdz tā iespiežas pa dažiem milimetriem (6. attēls).
- Īslaicīgi nospiediet mēlīti **B** un atlaidiet to no jauna (7. attēls).
- Mēlīte **B** būs bloķēta tik ilgi, kamēr no jauna neatspiedīsiet drošības sastiprinājumu pret apstrādājamo gabalu, tādējādi novēršot nejaunu darbību.

LĀDĒTĀJA DARBĪBAS INSTRUKCIJAS

Nelietojiet darba rīku uzlādes procesa laikā.

1. Izņemiet akumulatoru no darba rīka.
2. Pievienojiet lādētāja uzlādes punktu **J** akumulatora kontaktligzdai **I** (10. attēls).
3. Pievienojiet lādētāju **K** pie elektrotīkla. → Lādētāja LED lampiņa **L** → lādēšanas laikā kļūs sarkana (10. attēls).
4. Kad baterija ir pilnībā uzlādēta, LED lampiņa **L** automātiski izslēdzas (10. attēls).
5. Atvienojiet kontaktakšu **J** no kontaktligzdas **I** un atvienojiet lādētāju **K** no elektrotīkla.
 - Uzlādēt tikai istabas temperatūrā starp 10°C un 50°C.
 - Uzlādes procesa laikā lādētājs var sasilt: tas ir normāli.
 - Neuzglabājiet akumulatoru vietās, kurās temperatūra var pārsniegt 50°C.

PIEZĪME. Lai sasniegtu labākus darba rezultātus, piespiediet instrumentu darba virsmai.

PIEZĪME. Ja skava vai tapa iesprūst, izlasiet sadaļu par apkopi. NEIZŠAUJIET skavas vai tapas atkārtoti, lai novērstu iesprūšanu, jo tādējādi instruments var tikt sabojāts.

PIEZĪME. Instruments darba laikā var uzsilt. Tas ir normāli, tomēr, ja instruments kļūst karsts, lietošana jāpārtrauc, līdz tas atdziest.

PIEZĪME. Skavotājs jāizmanto tikai paredzētajiem mērķiem. Šis darbarīks ir paredzēts koka, kartona, izolācijas materiālu, auduma, folijas, ādas un tamlīdzīgu materiālu skavošanai pie koka vai kokam līdzīgu materiālu virsmām, tikai personīgai lietošanai.

PIEZĪME. Izmantojiet rīku tikai ar tam paredzēto akumulatoru.

APKOPE

STANDARTA APKOPE

1. Pārbaudiet visas skrūves un vajadzības gadījumā tās piegrieziet.
2. Notīriet putekļus un netīrumus no visām ventilācijas atverēm.
3. Pirms rīka tīrīšanas izņemiet akumulatoru.
4. Notīriet instrumentu ar sausu vai mitru drānu. **NEKĀDĀ GADĪJUMĀ** nelietojiet šķīdinātāju.
5. Uzturiet kasetes kanālu tīru.
6. **NEAPSTRĀDĀJIET** daļas ar eļļu vai smērvielu.
7. Pārbaudiet, vai skavotājs nav sabojāts. Pirms lietošanas nomainiet vai salabojiet to.

IESPRĪDUŠAS SKAVAS/TAPAS IZŅEMŠANA

1. Nospiediet kasetes aizbīdni **F**, lai to atbrīvotu no skavotāja.
2. Bīdīet sliedi **G** uz aizmuguri.
3. Izņemiet brīvās skavas/tapas no kasetes.
4. Izmantojiet saspraudi ar asu galu, lai izņemtu iesprūdušas skavas/tapas.

UZMANĪBU!

NEPĀRVEIDOJIET skavotāja daļas un nepievienojiet tam īpašas palīgierīces. Tas var izraisīt miesas bojājumus.

Ja rīks/lādētājs, neskatoties uz rūpīgajām ražošanas un testēšanas procedūrām, tomēr ir sabojājies, remonts ir jāveic "Rapid Tools" servisa centrā.



APKĀRTĒJĀS VIDES AIZSARDZĪBA

Atsevišķa savākšana. Neizmetiet elektroinstrumentus sadzīves atkritumos! Atbilst Eiropas Savienības Direktīvai 2012/19/ES par elektrisko un elektronisko iekārtu atkritumiem.

- Ja instruments ir jānomaina vai ja tas vairs netiek izmantots, tas jānodod atbilstīgai pārstrādei atsevišķā savākšanas punktā.
- Akumulators: akumulatori ir reciklējami. Akumulatoru var uzlādēt daudzas reizes. Kad beidzies tā kalpošanas laiks, pilnībā izlādējiet akumulatoru, nopemiet to no darba rīka un nogādājiet vietējā reciklēšanas centrā.



BTX530 / BTX140

Překlad originálního návodu



Splňuje příslušné směrnice EU



OBECNÁ BEZPEČNOSTNÍ UPOZORNĚNÍ PRO ELEKTRICKÉ NÁSTROJE

VAROVÁNÍ!! Přečtěte si všechna bezpečnostní upozornění, pokyny, ilustrace a specifikace dodané s tímto elektrickým náradím. Nedodržení všech níže uvedených pokynů může mít za následek úraz elektrickým proudem, požár nebo vážné zranění.



Všetchna upozornění a pokyny uložte pro pozdější možné použití.

Pojem „elektrický nástroj“ odkazuje ve varováních na elektricky napájený (kabelový) elektrický nástroj nebo akumulátorem napájený

(bezdrátový) elektrický nástroj.

1) BEZPEČNOST PRACOVNÍHO MÍSTA

- a) **Pracovní místo udržujte v čistotě a dobře osvětlené.** Nepořádek nebo špatně osvětlená místa mohou způsobit nehody.
- b) **Nástroj nepoužívejte ve výbušných prostředích, například v prostředích s přítomností hořlavých kapalin, plynů nebo prachu.** Elektrické nástroje vytvářejí jiskry, díky kterým se prach nebo výpary mohou vznítit.
- c) **Okolo stojící osoby, děti a návštěvníky udržujte při použití nástroje mimo pracovní místo.** Při rozptýlení můžete ztratit nad přístrojem kontrolu.

2) ELEKTRICKÁ BEZPEČNOST

- a) **Zástrčka elektrického nástroje se musí shodovat s elektrickou zásuvkou. Zástrčku nikdy žádným způsobem neupravujte. Pro nástroje s ochranným uzemněním nepoužívejte žádné adaptérové zástrčky.** Neupravené zástrčky a shodující se elektrické zásuvky snižují riziko úrazu elektrickým proudem.
- b) **Vyvarujte se tělesného kontaktu s uzemněnými plochami, jako je potrubí, topení, sporáky a chladničky.** Je-li vaše tělo uzemněno, existuje zvýšené riziko úrazu elektrickým proudem.
- c) **Chraňte elektrický nástroj před deštěm a vlhkem.** Vniknutí vody do elektrického nástroje zvyšuje riziko úrazu elektrickým proudem.
- d) **Elektrický kabel používejte k jeho účelu. Nikdy kabel nepoužívejte na přenášení, tahání nebo odpojování nástroje. Kabel udržujte z dosahu tepla, oleje, ostrých hran nebo pohybujících se součástí.** Poškozený nebo zapletený kabel zvyšuje riziko úrazu elektrickým proudem.
- e) **Při obsluhování elektrického nástroje venku použijte prodlužovací kabel vhodný pro venkovní použití.** Použití kabelu vhodného pro venkovní použití snižuje riziko úrazu elektrickým proudem.
- f) **Pokud se použití elektrického náradí nelze vyvarovat, použijte ochranný jistič.** Použití ochranného jističe snižuje riziko úrazu elektrickým proudem.

3) BEZPEČNOST OSOB

- a) **Budte opatrní, dávejte pozor na to, co děláte, a při používání nástroje používejte zdravý rozum. Elektrický nástroj nepoužívejte, když jste unaveni nebo pod vlivem drog, alkoholu nebo léků.** Chvilé nepozornosti během provozu nástroje může mít za následek vážné poranění.
- b) **Používejte osobní ochranné prostředky. Vždy noste ochranné brýle.** Ochranné prostředky, jako jsou maska proti prachu, bezpečnostní obuv s protiskluzovou podrážkou, přilba nebo ochranná sluchátka použitá za náležitých podmínek, snižují riziko poranění.
- c) **Zabraňte neúmyslnému uvedení do provozu. Před připojením zdroje napájení anebo akumulátoru, zvednutím nebo přenášením stroje se ujistěte, že vypínač je ve vypnuté poloze.** Nošení nástroje s prstem na vypínači nebo zapojení nástroje se zapnutým vypínačem může vést ke vzniku úrazu.
- d) **Před zapnutím elektrického nástroje odstraňte seřizovací klíč nebo podobný nástroj.** Klíč ponechaný na rotující části elektrického nástroje může mít za následek poranění osob.
- e) **Příliš se nepředklánějte. Používejte vhodnou obuv a za všech okolností udržujte rovnováhu.** V nečekaných situacích vám umožní zajistit si lepší kontrolu nad nástrojem.

- f) **Noste vhodný oděv. Nenoste volný oděv nebo šperky. Vlasy, oděv a rukavice udržujte z dosahu pohybujících se součástí.** Volný oděv, šperky nebo dlouhé vlasy se do pohybujících se součástí mohou zachytit.
- g) **Jsou-li zařízení vybavena připojením zařízení na odsávání prachu a sběrného zařízení, ujistěte se, že jsou taková zařízení připojena a správně používána.** Použití zařízení na odsávání prachu může snížit rizika související s výskytem prachu.
- h) **Nedovolte, aby znalosti získané častým používáním nástrojů otupily vaši pozornost a přestali jste dbát na zásady bezpečnosti při práci s nástrojem.** Nedbalost může způsobit vážné zranění ve zlomku sekundy.

4) POUŽÍVÁNÍ ELEKTRICKÉHO NÁSTROJE A PÉČE O NĚJ

- a) **Elektrický nástroj nepřepínejte. Pro dané použití používejte správný elektrický nástroj.** Správný elektrický nástroj vykoná práci lépe a bezpečněji rychlostí, na kterou byl sestrojen.
- b) **Elektrický nástroj nepoužívejte, pokud jej nelze zapnout a vypnout pomocí vypínače.** Kterýkoli elektrický nástroj, jenž nelze ovládat vypínačem, je nebezpečný a je třeba jej opravit.
- c) **Před prováděním jakýchkoli úprav, výměnou příslušenství nebo uložení nástroje vypojte zástrčku ze zdroje napájení anebo z nástroje vyjměte akumulátor.** Taková preventivní bezpečnostní opatření snižují riziko náhodného spuštění nástroje.
- d) **Nečinný elektrický nástroj skladujte mimo dosah dětí a osobám, které s nástrojem nejsou obeznámeny nebo neznají tyto pokyny, znemožněte jeho používání.** Elektrické nástroje jsou v rukách neproškolených uživatelů nebezpečné.
- e) **Provádějte údržbu elektrických nástrojů a příslušenství.** Zkontrolujte, zda jsou pohyblivé části správně zarovnané a nikde neváznou, zda nejsou žádné části stroje poškozeny, a ověřte všechny další podmínky, které mohou ovlivnit správný chod nástroje. Je-li nástroj poškozen, před použitím jej opravte. Mnoho nehod je způsobeno špatně udržovanými nástroji.
- f) **Rezné nástroje udržujte ostré a čisté.** Rádně udržované řezné nástroje s ostrými řeznými čepelemi se budou pravděpodobně méně zasekávat a bude snazší je ovládat.
- g) **Elektrický nástroj, příslušenství a nasazovací adaptéry atd. používejte v souladu s těmito pokyny, přičemž dbejte na pracovní podmínky a prováděnou práci.** Použití elektrického nástroje k jiné činnosti, než pro kterou je určen, může mít za následek vznik nebezpečné situace.
- h) **Udržujte rukojeti a uchopovací plochy suché, čisté a bez olejů a maziv.** Kluzké rukojeti a uchopovací plochy neumožňují bezpečnou manipulaci a ovládání nástroje v neočekávaných situacích.

5) POUŽITÍ A ÚDRŽBA AKUMULÁTOROVÉHO NÁSTROJE

- a) **Dobíjejte pouze s nabíječkou určenou výrobcem.** Nabíječka, která je vhodná pro jeden typ akumulátoru může při použití s jiným akumulátorem způsobit nebezpečí požáru.
- b) **Elektrické nástroje používejte pouze s určenými akumulátory.** Použití jiných akumulátorů může způsobit nebezpečí zranění a požáru.
- c) **Pokud akumulátor nepoužíváte, držte jej z dosahu kovových předmětů, jako jsou sponky na papír, mince, hřebíky, šrouby nebo jiné malé kovové předměty, které by mohly vzájemně přemostit obě svorky.** Zkratování svorek akumulátoru může způsobit popáleniny nebo požár.

- d) **Za nevhodných podmínek může z akumulátoru uniknout kapalina; zabraňte kontaktu.** Pokud dojde k náhodnému kontaktu, opláchněte kapalinu vodou. Při kontaktu s očima vyhledejte lékařskou pomoc. Kapalina uniklá z akumulátoru může způsobit podráždění nebo popáleniny.
- e) **Nepoužívejte akumulátor nebo nástroj, který je poškozen nebo modifikován.** Poškozené nebo modifikované akumulátory se mohou chovat nepředvídatelným způsobem, který může mít za následek požár, výbuch nebo nebezpečí zranění.
- f) **Nevystavujte akumulátor nebo nástroj ohni nebo nadměrné teplotě.** Vystavení ohni nebo teplotám nad 130 °C / 265 °F může způsobit explozi.
- g) **Dodržujte všechny pokyny pro nabíjení a nenabíjejte akumulátor nebo nástroj mimo rozsah teplot uvedený v návodu.** Nesprávné nabíjení nebo teploty mimo uvedený rozsah mohou poškodit akumulátor a zvýšit nebezpečí požáru.
- 6) SERVIS**
- a) **Svůj elektrický nástroj nechejte opravit kvalifikovanou osobou používající pouze originální náhradní díly.** Zajistíte tím zachování bezpečnosti svého nástroje.
- b) **Nikdy neopravujte poškozené akumulátory.** Servis akumulátorů smí provádět pouze výrobce nebo autorizovaný servis.

BEZPEČNOSTNÍ POKYNY PRO SPONKOVAČKU

- **Vždy mějte na paměti, že nástroj obsahuje upínací prvky.** Neopatrná manipulace se sponkovačkou může mít za následek neočekávané vystřelení sponek a způsobit tak poranění.
- **Nemířte nástrojem na sebe ani na osoby ve vaší blízkosti.** Při neočekávaném spuštění dojde k vystřelení sponky, která může způsobit poranění.
- **Nástroj nespouštějte, pokud není pevně umístěn na pracovní ploše.** Pokud není nástroj v kontaktu s pracovní plochou, sponka se může od cílové plochy odchýlit.
- **Pokud se sponka v nástroji zasekne, odpojte jej od zdroje napájení.** Při odstraňování zaseknuté sponky se může sponka náhodně spustit, je-li stále zapojena do zásuvky.
- **Při odstraňování zaseknuté sponky postupujte opatrně.** Mechanismus může být pod tlakem a ve snaze uvolnit zaseknutou sponku může dojít k jejímu silnému vystřelení.
- **Tuto sponkovačku nepoužívejte k uchycení elektrických kabelů.** Není určena k instalaci elektrických kabelů, může poškodit jejich izolaci a tím způsobit úraz elektrickým proudem nebo vznik požáru.

TECHNICKÁ SPECIFIKACE

Bateriová sponkovačka, číslo modelu	BTX530	BTX140
Typ nastřelovací sponky	Rapid 53	Rapid 140
Délka nastřelovací sponky	6-14 mm	6-14 mm
Kapacita zásobníku nastřelovacích sponek, max.	112 ks	66 ks
Typ nastřelovacího hřebíku, délka	Rapid T8, 15-30 mm	
Kapacita zásobníku nastřelovacích hřebíků, max.	66 ks	
Rozměry nástroje (včetně akumulátoru) V x Š x D	195 x 60 x 220 mm	
Hmotnost nástroje	1,360 kg	
Baterie		
Typ, napětí	Li-ion, 7,2 V	
Výkon	1300 mAh	
Doba nabíjení	90 min	
Počet nástřelů na jedno nabití, max.	Přibl. 1500	

Rychlost	20 výstřelů/min
Nabíječka	
Vstupní napětí	100-240V, 50-60Hz
Výstupní napětí	8,4 V cc
Výkon	1000 mA

HLUČNOST

A-vážený akustický tlak $L_pA=79,3$ dB(A), nepřesnost $K=3$ dB(A)

A-vážený akustický tlak $L_wA=90,3$ dB(A), nepřesnost $K=3$ dB(A)

Doporučení pro obsluhu, aby používala ochranu sluchu.

VIBRACE

Celková úroveň vibrací $=1,214$ m/s², nepřesnost $K=1,5$ m/s²

Deklarovaná celková úroveň vibrací byla naměřena v souladu se standardní testovací metodou a lze ji použít k porovnání jednoho nástroje s druhým.

Deklarovanou celkovou úroveň vibrací lze také použít v předběžném posouzení vystavení vibracím.

UPOZORNĚNÍ

Emise vibrací během skutečného používání nástroje se může lišit od deklarované celkové hodnoty v závislosti na způsobech používání nástroje.

Je třeba určit bezpečnostní opatření na ochranu obsluhy, která jsou založena na odhadu expozice ve skutečných podmínkách použití (s přihlédnutím ke všem částem pracovního cyklu, jako jsou časy, kdy je nástroj vypnutý a kdy běží naprázdno, kromě času, kdy se používá).



MONTÁŽ

DEFINICE (Obrázek 1, 2 a 10)

- | | | |
|--|----------------------------------|------------------------------|
| A : Otočný knoflík pro nastavení síly | B : Spoušť | C : Baterie |
| D : Uvolňovací tlačítka | E : Bezpečnostní pojistka | F : Západka zásobníků |
| G : Kolejnička | H : Zásobník | I : Zásuvka |
| J : Nabíjecí místo | K : Nabíječka | L : LED dioda |

VYJMUTÍ A PŘIPOJENÍ AKUMULÁTORU

- Pro vyjmutí baterie **C** stiskněte uvolňovací tlačítka **D** a vytáhněte baterii ze stroje (obrázek 3).
- Při zapojení baterie ji zasuňte do stroje až do polohy, kdy dojde k zacvaknutí spojů (obrázek 4).

PLNĚNÍ SPONEK/HŘEBÍKŮ DO ZÁSOBNÍKU

- Stiskněte skříňku zásobníku **F**, abyste umožnili uvolnění zásobníku z těla sponkovačky.
- Posuňte kolejničku **G** směrem dozadu.
- Vložte pás nastřelovacích sponek/hřebíků podle obrázku 8 a 9.
- Uzavřete zásobník posunutím kolejničky směrem dopředu do polohy, kdy dojde k zajištění zásobníku.

VYJMUTÍ SPONEK/HŘEBÍKŮ ZE ZÁSOBNÍKU

- Stiskněte skříňku zásobníku **F**, abyste umožnili uvolnění zásobníku z těla sponkovačky.
- Posuňte kolejničku **G** směrem dozadu.
- Vyjměte sponky/hřebíky ze zásobníku.
- Zavřete zásobník.

OBSLUHA

NASTŘELOVÁNÍ SPONEK/HŘEBÍKŮ

- Ujistěte se, že je nástroj v dobrém provozním stavu.
- Otáčením knoflíku proveďte nastavení **A** penetrační hloubky sponek / drátěných hřebíků podle potřeby (obrázek 5).
- Pevně stiskněte bezpečnostní pojistku **E** proti pracovnímu dílu, dokud není vtačen dovnitř o několik milimetrů (obrázek 6).
- Krátce stiskněte spoušť **B** a poté ji uvolněte (obrázek 7).
- Spoušť **B** je zajištěna do doby, než opět zmáčknete ochranný třmen proti pracovnímu kusu. To slouží jako prevence náhodného spuštění nástroje.

PROVOZNI POKYNY PRO NABÍJEČKU

Během nabíjení nástroj nepoužívejte.

- Vyjměte baterii z nástroje.
- Nabíjecí místo **J** nabíječky zapojte do zásuvky **I** baterie (obrázek 10).
- Nabíječku **K** připojte k hlavnímu vedení elektrické energie. → LED dioda **L** na nabíječce se během nabíjení rozsvítí červeně (obrázek 10).
- Když je baterie kompletně nabitá, LED dioda **L** změní barvu na zelenou (obrázek 10).
- Vytáhněte zástrčku **J** ze zásuvky **I** a nabíječku **K** odpojte od hlavního napájecího vedení.
 - Nabíjení provádějte při teplotě okolí v rozmezí od 10 °C do 50 °C.
 - Během procesu nabíjení může dojít ke zvýšení teploty baterie: to je normální.
 - Neskladujte akumulátor na místech, kde může teplota překročit 50 °C.

POZNÁMKA: Pro dosažení lepšího výkonu přitiskněte nástroj na pracovní plochu.

POZNÁMKA: V případě zaseknutí sponky nebo hřebíku si přečtěte kapitolu věnovanou údržbě.

Pro uvolnění zaseknuté sponky nestiskávejte spoušťový spínač znovu, mohlo by dojít k poškození nástroje.

POZNÁMKA: Během provozu se může nástroj zahřát. Je to běžné, ale pokud nástroj začne být až příliš horký, měli byste jej přestat používat, dokud nevychladne.

POZNÁMKA: Sponkovačku byste měli používat pouze k zamýšlenému účelu. Tento nástroj je určen ke sponkování dřeva, lepenky, izolačních materiálů, tkanin, fólií, kůže a podobných materiálů na povrch dřeva nebo materiálu podobné dřevu, pouze pro soukromé použití.

POZNÁMKA: Používejte nástroj se zvlášť k tomu určeným paketem baterii.

ÚDRŽBA

STANDARDNÍ ÚDRŽBA

1. Zkontrolujte všechny šrouby a v případě potřeby je utáhněte.
2. Všechny větrací otvory udržujte bez prachu a nečistot.
3. Před čištěním nástroje vyjměte paket baterii.
4. Nástroj čistěte suchým nebo navlhčeným hadříkem. NIKDY nepoužívejte žádné rozpouštědlo.
5. Kanálek zásobníku udržujte v čistotě.
6. Žádné součásti NEOLEJUJTE ani NEPROMAZÁVEJTE.
7. Ujistěte se, že sponkovačka není poškozena. Před použitím takovou sponkovačku vyměňte nebo opravte.

VIJMUTÍ ZASEKNUTÉ SPONKY / HŘEBÍKU

1. Stiskněte skříňku zásobníku **(F)**, abyste umožnili uvolnění zásobníku z těla sponkovačky.
2. Posuňte kolejničku **(G)** směrem dozadu.
3. Ze zásobníku vyjměte volné sponky / hřebíky.
4. Pro odstranění zaseknuté nastřelovací sponky/hřebíku použijte ostrý hrot.

UPOZORNĚNÍ!

NEVYMĚŇUJTE na sponkovače žádné díly, ani nepřipojujte zvláštní příslušenství. Může to vést ke vzniku poranění.

Pokud by došlo k poruše nástroje/nabíječky bez ohledu na péči, která jim byla věnována při výrobě a zkouškách, mělo by opravu provést středisko poprodejšího servisu nástrojů společnosti Rapid.



ZIVOTNÍ PROSTŘEDÍ

Oddělený sběr. Elektrické nástroje nikdy nevyhazujte do komunálního odpadu! Postupujte podle evropské směrnice 2012/19/ES týkající se odpadního elektrického a elektronického zařízení.

- Pokud je třeba nástroj vyměnit, nebo pokud již pro něj nemáte využití, pak byste ho měli odevzdat k recyklaci do samostatného sběrného centra.
- Baterie: baterie jsou recyklovatelné.



Nabíjení baterie lze mnohokrát opakovat. Na konci životnosti baterie proveďte její kompletní vybití, poté ji vyjměte z nástroje a předejte ji místní recyklační stanici.

BTX530 / BTX140

Preklad pôvodných pokynov

SK

Vyhovuje príslušným smerniciam EÚ



VŠEOBECNÉ BEZPEČNOSTNÉ UPOZORNENIA PRE PRÁCU S ELEKTRICKÝM NÁRADÍM

UPOZORNENIE! Prečítajte si všetky bezpečnostné upozornenia, pokyny, ilustrácie a špecifikácie dodané s týmto elektrickým náradím. Nedodržanie všetkých pokynov uvedených nižšie môže mať za následok úraz elektrickým prúdom, požiar a/alebo vážne poranenie.



Všetky upozornenia a pokyny si uschovajte na budúce použitie.

Pojem „elektrické náradie“ používaný v upozorneniach sa vzťahuje na ručné elektrické náradie napájané zo siete (s prírodnou šnúrou) alebo na ručné elektrické náradie napájané akumulátorovou batériou (bez prírodnej šnúry).

1) BEZPEČNOSŤ PRACOVNÉHO PRIESTORU

a) **Udržujte pracovný priestor v čistote a dobre osvetlený.**

Neporiadok na pracovisku a neosvetlené priestory môžu byť príčinou úrazov.

b) **Nepoužívajte elektrické náradie v prostredí s nebezpečenstvom výbuchu, kde sa nachádzajú napríklad horľavé kvapaliny, plyny alebo prach.** Elektrické náradie je zdrojom iskrenia, ktoré môže zapáliť prach alebo výpary.

c) **Pri používaní elektrického náradia zabráňte prístupu detí a ďalších osôb.** V prípade odpútania vašej pozornosti môžete stratiť kontrolu nad náradím.

2) ELEKTRICKÁ BEZPEČNOST

- a) **Zástrčka prívodnej šnúry elektrického náradia sa musí hodiť do napájacej zásuvky. Zástrčka sa v žiadnom prípade nesmie upravovať. S uzemneným elektrickým náradím nepoužívajte zásuvkové adaptéry.** Neupravené zástrčky a zodpovedajúce zásuvky znižujú riziko úrazu elektrickým prúdom.
- b) **Nedotýkajte sa uzemnených povrchov, ako sú potrubia, radiátory, sporáky a chladničky.** Keď je vaše telo uzemnené, riziko zásahu elektrickým prúdom je vyššie.
- c) **Nevystavujte elektrické náradie dažďu alebo vlhkému prostrediu.** Vniknutie vody do elektrického náradia zvyšuje riziko úrazu elektrickým prúdom.
- d) **Nezafažujte kábel. Nepoužívajte prívodnú šnúru na prenášanie náradia, na jeho vešanie, ani za ňu nevyťahujte zástrčku zo zásuvky. Prívodnú šnúru uchovávajte mimo dosahu tepla, oleja, ostrých hrán alebo pohyblivých častí.** Poškodené alebo spletené káble zvyšujú riziko úrazu elektrickým prúdom.
- e) **Pri práci s náradím vonku používajte predlžovací kábel vhodný na vonkajšie použitie.** Používanie kábla určeného na vonkajšie použitie znižuje riziko úrazu elektrickým prúdom.
- f) **Ak je práca s elektrickým náradím na vlhkom mieste nevyhnutná, použite prerušovač uzemňovacieho obvodu.** Používanie prerušovača uzemňovacieho obvodu znižuje riziko úrazu elektrickým prúdom.

3) BEZPEČNOST OSÔB

- a) **Budte pozorní, dávajte pozor na to, čo robíte a k práci s elektrickým náradím pristupujte rozumne. Nepoužívajte elektrické náradie, keď ste unavení alebo keď ste pod vplyvom drog, alkoholu alebo liekov.** Chvilka nepozornosti pri práci s elektrickým náradím môže viesť k vážnemu zraneniu osôb.
- b) **Používajte osobné ochranné pomôcky. Vždy noste ochranné okuliare.** Ochranné prostriedky, ako je respirátor, bezpečnostná obuv s protišmykovou úpravou, pevná prilba alebo chrániče sluchu, používané v zodpovedajúcich podmienkach, znižujú riziko poranenia.
- c) **Zabráňte náhodnému spusteniu. Pred pripojením k napájaniu alebo pred vloženíím batérie, zdvihnutím alebo prenášaním náradia sa uistite, že je spínač v polohe vypnuté.** Prenášanie náradia s prstom na spínači alebo zapájanie vidlice elektrického náradia so zapnutým spínačom môže viesť k nehodám.
- d) **Pred zapnutím elektrického náradia odstráňte všetky nastavovacie nástroje alebo kľúče.** Nastavovací nástroj alebo kľúč, ktorý ponecháte pripevnený k otáčajúcej sa časti elektrického náradia, môže spôsobiť poranenie osôb.
- e) **Pracujte len tam, kam bezpečne dosiahnete. Vždy udržiajte stabilný postoj a rovnováhu.** To umožňuje lepšiu ovládateľnosť elektrického náradia v neočakávaných situáciách.
- f) **Pri práci noste vhodný pracovný odev. Nenoste voľný odev ani šperky. Uchovávajte vlasy, odev a rukavice mimo dosahu pohybujúcich sa častí náradia.** Pohybujúce sa časti náradia by mohli voľný odev, šperky alebo dlhé vlasy zachytiť.
- g) **Ak sú zariadenia určené na pripojenie príslušenstva na odsávanie a zber prachu, uistite sa, že sú pripojené a správne sa používajú.** Použitie príslušenstva na zber prachu môže obmedziť riziká súvisiace s prachom.
- h) **Nedovoľte, aby vás znalosti získané z častého používania**

náradia viedli k sebauspokojeniu a ignorovaniu zásad bezpečnosti náradia. Nepozorné konanie môže v zlomku sekundy spôsobiť vážne poranenie.

4) POUŽÍVANIE ELEKTRICKÉHO NÁRADIA A JEHO ÚDRŽBA

- a) **Elektrické náradie nepreťažujte. Na svoju prácu používajte správne elektrické náradie.** Správny typ elektrického náradia bude pracovať lepšie a bezpečnejšie v podmienkach, pre ktoré bol vyrobený.
- b) **Nepoužívajte elektrické náradie, ak sa nedá spínačom zapnúť a vypnúť.** Každé elektrické náradie, ktoré sa nedá ovládať spínačom, je nebezpečné a musí sa opraviť.
- c) **Pred každým nastavovaním, výmenou príslušenstva alebo pred uložením elektrického náradia odpojte zástrčku zo zásuvky alebo batériu z elektrického náradia.** Tieto preventívne bezpečnostné opatrenia znižujú riziko náhodného spustenia náradia.
- d) **Uložte elektrické náradie mimo dosahu detí a nedovoľte osobám, ktoré nie sú oboznámené s elektrickým náradím alebo s týmito pokynmi, aby s náradím pracovali.** Elektrické náradie je v rukách neškolených používateľov nebezpečné.
- e) **Elektrické náradie a príslušenstvo udržiavajte. Skontrolujte vychýlenie či zaseknutie pohyblivých častí, poškodenie jednotlivých dielov a iné okolnosti, ktoré môžu mať vplyv na chod elektrického náradia. Poškodené diely elektrického náradia nechajte pred použitím opraviť.** Veľa úrazov bolo spôsobených zle udržiavaným náradím.
- f) **Rezné nástroje udržiavajte ostré a čisté.** Správne udržiavané rezné nástroje s ostrými reznými hranami sú menej náchylné na zanášanie sa nečistotami a lepšie sa ovládajú.
- g) **Používajte elektrické náradie, príslušenstvo a rezné nástroje podľa týchto pokynov, so zreteľom na pracovné podmienky a prácu, ktorá sa má vykonať.** Používanie ručného elektrického náradia na iné ako určené účely môže viesť k nebezpečným situáciám.
- h) **Rukoväti a uchopovacie plochy udržiavajte suché, čisté a bez oleja a maziva.** Šmyklivé rukoväti a uchopovacie plochy neumožňujú v neočakávaných situáciách bezpečné zaobchádzanie s náradím a sťažujú jeho ovládateľnosť.

5) POUŽÍVANIE BATÉRIOVÉHO NÁRADIA A JEHO ÚDRŽBA

- a) **Dobíjajte iba nabíjačkou, ktorú určil výrobca.** Nabíjačka, ktorá je vhodná pre jeden typ jednotky batériových zdrojov, môže pri použití inej jednotky batériových zdrojov spôsobiť požiar.
- b) **Elektrické náradie používajte iba s konkrétno určenými jednotkami batériových zdrojov.** Použitie iných jednotiek batériových zdrojov môže spôsobiť riziko poranenia a požiaru.
- c) **Ak batériu nepoužívate, uchovávajte ju mimo dosahu iných kovových predmetov ako kancelárske sponky, mince, kľúče, klince, skrutky alebo ďalšie drobné kovové predmety, ktoré môžu vytvoriť pripojenie z jedného terminálu do druhého.** Skratovanie kontaktov batérie môže spôsobiť popáleniny alebo požiar.
- d) **Za nevhodných podmienok sa z batérie môže uvoľňovať kvapalina; nedotýkajte sa jej.** V prípade náhodného kontaktu opláchnite príslušnú časť tela vodou. Ak kvapalina zasiahne oči, vypláchnite ich vodou a vyhľadajte lekársku starostlivosť. Kvapalina uvoľnená z batérie môže spôsobiť podráždenie alebo popáleniny.
- e) **Nepoužívajte jednotku batériových zdrojov ani náradie, ktoré**

- sú poškodené alebo upravené. Správanie poškodených alebo upravených batérií môže byť nepredvídateľné a môže viesť k požiaru, výbuchu alebo riziku poranenia.
- f) **Jednotku batériových zdrojov ani náradie nevystavujte ohňu ani nadmerným teplotám.** Pri vystavení ohňu alebo teplote nad 130 °C/265 °F môže dôjsť k výbuchu.
- g) **Dodržiavajte všetky pokyny na nabíjanie a jednotku batériových zdrojov ani náradie nenabíjajte mimo rozsahu teplôt uvedených v pokynoch.** Nesprávne nabíjanie alebo teploty mimo uvedeného rozsahu môžu poškodiť batériu a zvýšiť riziko požiaru.
- 6) SERVIS**
- a) **Elektrické náradie zverte do opravy len kvalifikovanému personálu a používajte len originálne náhradné súčiastky.** Tým sa zabezpečí zachovanie bezpečnosti ručného elektrického náradia.
- b) **Poškodenú jednotku batériových zdrojov nikdy neopravujte.** Opravu jednotiek batériových zdrojov by mal vykonávať len výrobca alebo autorizovaní poskytovatelia služieb.

BEZPEČNOSTNÉ UPOZORNENIA PRE PRÁCU SO SPONKOVAČKOU

- **Vždy majte na pamäti, že nástroj obsahuje sponky.** Nedbalé zaobchádzanie so sponkovačkou môže viesť k neočakávanému vystreleniu sponiek či zraneniu osôb.
- **Náradím nemierite na seba ani na iné osoby vo vašej blízkosti.** Neočakávaným spustením sa sponky vystrelia, čo môže viesť k zraneniu.
- **Neuvádzajte náradie do chodu, kým nie je pevne umiestnené oproti obrobku.** Ak náradie nie je v kontakte s obrobkom, sponky sa môžu vychýliť od miesta, na ktoré mierite.
- **Keď sa sponka v náradí zasekne, odpojte náradie od zdroja napájania.** V prípade, že je sponkovačka zapojená, môže sa pri odstraňovaní zaseknutej sponky uviesť do chodu.
- **Pri odstraňovaní zaseknutej sponky buďte opatrní.** Mechanizmus môže byť pod tlakom a pri pokuse o uvoľnenie sponky môže dôjsť k jej prudkému vystreleniu.
- **Túto sponkovačku nepoužívajte na upevnenie elektrických káblov.** Toto náradie nie je určené na inštaláciu elektrických káblov. Môže dôjsť k poškodeniu izolácie elektrických káblov, čo môže byť príčinou vzniku rizika úrazu elektrickým prúdom alebo požiaru.

TECHNICKÉ ŠPECIFIKÁCIE

Batériová spínacia pištoľ, číslo modelu	BTX530	BTX140
Typ svoriek	Rapid 53	Rapid 140
Dĺžka sponiek	6-14 mm	6-14 mm
Max. kapacita sponiek v zásobníku	112 ks	66 ks
Typ klinčekov, dĺžka	Rapid T8, 15 – 30 mm	
Max. kapacita klinčekov v zásobníku	66 ks	
Rozmery náradia (vrátane batérie) V x Š x D	195 x 60 x 220 mm	
Hmotnosť náradia	1,360 kg	
Batéria		
Typ napätia	Li-Ion, 7,2 V	
Kapacita	1300 mAh	
Doba nabíjania	90 min.	
Max. počet výstrelův na jedno nabitie	≈ 1 500 výstrelův	
Max. nepretržitá rýchlosť	20 výstrelův/min.	
Nabíjačka		

Napájanie	100-240V, 50-60Hz
Výkon	8,4 V cc
Napájanie	1000 mA

EMISIE HLUKU

Hladina akustického tlaku $L_pA=79,3$ dB(A), neistota $K=3$ dB(A)

Hladina akustického výkonu $L_wA=90,3$ dB(A), neistota $K=3$ dB(A)*

Odporúčanie pre používateľa, aby používal ochranu sluchu.

VIBRÁCIE

Celková hodnota vibrácií= $1,214$ m/s², neistota $K=1,5$ m/s²

Celková deklarovaná hodnota vibrácií bola meraná v súlade so štandardnou skúšobnou metódou a môže sa použiť na porovnanie jednotlivých náradí navzájom.

Celková deklarovaná hodnota vibrácií sa môže použiť aj na predbežné posúdenie expozície.

UPOZORNENIE

Emisie vibrácií pri aktuálnom použití elektrického náradia sa môžu líšiť od deklarovanej celkovej hodnoty v závislosti od spôsobov, akými sa náradie používa.

Je potrebné identifikovať bezpečnostné opatrenia na ochranu používateľa, ktoré sú založené na odhade vystavenia v skutočných podmienkach používania (so zohľadnením všetkých častí prevádzkového cyklu, ako sú časy, kedy je náradie vypnuté a kedy je okrem spúšťacieho času v chode naprázdno).



MONTÁŽ

DEFINÍCIE (Obrázok 1, 2 a 10)

- | | | |
|--|---------------------------------|---|
| A : Mechanický nastavovací gombík | B : Spúšť | C : Jednotka batériových zdrojov |
| D : Uvoľňovacie tlačidlá | E : Bezpečnostná poistka | F : Západka zásobníka |
| G : Kolajnička | H : Zásobník | I : Zásuvka |
| J : Nabíjacie miesto | K : Nabíjačka | L : LED |

VYBRATIE A ZAPOJENIE BATÉRIÍ

1. Ak chcete vybrať batérie **C**, stlačte uvoľňovacie tlačidlá **D** a vysuňte batérie z prístroja (obrázok 3).
2. Ak chcete batérie zapojiť, zasúvajte ich v opačnom smere, až kým nepočujete cvaknutie (obrázok 4).

PLNENIE SPONIEK/KLINČEKOV DO ZÁSOBNÍKA

1. Ak chcete uvoľniť skrinku zásobníka **F** z pištole, stlačte ju.
2. Posuňte kolajničku **G** smerom dozadu.
3. Vložte pás sponiek/klinčekov tak, ako je to zobrazené na obrázkoch 8 a 9.
4. Zatvorte zásobník zatlačením kolajničky smerom dopredu, až kým sa nezaistí.

ODSTRÁŇOVANIE SPONIEK/KLINČEKOV ZO ZÁSOBNÍKA

1. Ak chcete uvoľniť skrinku zásobníka **F** z pištole, stlačte ju.
2. Posuňte kolajničku **G** smerom dozadu.
3. Odstráňte sponky/klinčky zo zásobníka.
4. Zásobník zatvorte.

PREVÁDZKA

SPONKOVANIE/KLINČEKOVANIE

1. Uistite sa, že náradie je v dobrom prevádzkovom stave.
2. Ak chcete nastaviť hĺbku prieniku sponiek/ klinčekov podľa svojej potreby, otočte mechanickým nastavovacím gombíkom **A** (obrázok 5).
3. Pevne zatlačte bezpečnostnú sponu **E** oproti obrobru, až kým sa nezatlačí o niekoľko milimetrov (obrázok 6).
4. Krátko stlačte spúšť **B** a potom ju opäť uvoľnite (obrázok 7).
5. Spúšť **B** je zaistená, až pokiaľ nezatlačíte bezpečnostnú sponu oproti obrobru, čím sa predíde náhodnému spusteniu.

NAVOD NA OBSLUHU NABIJAČKY

Nepoužívajte náradie, kým prebieha nabíjanie.

1. Vyberte batériu z náradia.
2. Pripojte nabíjacie miesto **J** nabíjačky do zásuvky **I** z batérie (obrázok 10).
3. Pripojte nabíjačku **K** do elektrickej siete. → LED **L** na nabíjačke sa počas nabíjania rozsvieti na červeno (obrázok 10).
4. Keď je batéria plne nabitá, LED **L** z nabíjačky svieti na zeleno (obrázok 10).
5. Vyberte zástrčku **I** zo zásuvky **I** a odpojte nabíjačku **K** z elektrickej siete.
 - Nabíjajte iba pri teplote okolia od 10 °C do 50 °C.
 - Počas nabíjania môže dochádzať k zahrievaniu nabíjačky: je to normálny jav.
 - Batériu neskladujte pri teplote vyššej ako 50 °C.

POZNÁMKA: Na dosiahnutie lepšieho výkonu je potrebné náradie tlačiť oproti obrobru.

POZNÁMKA: V prípade zaseknutej sponky alebo klinčeka si prečítajte časť o údržbe.

NEPOKÚŠAJTE sa odstrániť zaseknutú sponku opätovným vystrelením, keďže môže dôjsť k poškodeniu nástroja.

POZNÁMKA: Počas prevádzky môže dôjsť k zohriatiu náradia. Je to bežný jav, ale ak náradie začne byť horúce, používanie sa musí prerušiť, pokiaľ náradie nevychladne.

POZNÁMKA: Sponkovačka sa musí používať len na určené účely. Tento nástroj je určený na spájanie dielov z dreva, lepenky, izolačného materiálu, textílií, fólií, kože a podobného materiálu na povrchu dreva či materiálu podobného drevu, len na súkromné účely.

POZNÁMKA: Používajte tento nástroj iba s osobitne určenými batériami.

ÚDRŽBA

ŠTANDARDNÁ ÚDRŽBA

1. Skontrolujte všetky skrutky a podľa potreby ich dotiahnite.
2. Udržujte všetky otvory bez prachu a nečistôt.
3. Pred čistením nástroja batérie vyberte.
4. Nástadie čistíte suchou alebo vlhkou handričkou. NIKDY nepoužívajte rozpúšťadlá.
5. Udržujte kanál zásobníka v čistote.
6. Žiadne diely NEOLEJUJTE ani NEMAŽTE.
7. Uistite sa, že sponkovačka nie je poškodená. Pred použitím poškodené diely vymeňte alebo opravte.

ODSTRAŇOVANIE ZASEKNUTEJ SPONKY/KLINČEKA

1. Ak chcete uvoľniť skrinku zásobníka **F** z pištole, stlačte ju.
2. Posuňte kolajničku **G** smerom dozadu.
3. Vyberte uvoľnené sponky/klinčeky zo zásobníka.
4. Na odstránenie zaseknutej sponky/klinčeka použite špendlík s ostrým koncom.

UPOZORNENIE!!

Diely sponkovačky NEUPRAVUJTE ani nepripájajte špeciálne príslušenstvo. Mohlo by dôjsť k zraneniu.

V prípade, že napriek starostlivej výrobe a skúšobným postupom dôjde k zlyhaniu nástroja/nabíjačky, oprava by sa mala vykonávať v stredisku popredajného servisu pre nástroje Rapid.



ŽIVOTNÉ PROSTREDIE

Separovaný zber. Nezhadzujte elektrické nástadie do odpadu z domácnosti! V súlade s európskou smernicou 2012/19/ES o odpade z elektrických a elektronických zariadení.

- Keď je potrebné nástadie vymeniť alebo sa už nedá ďalej používať, malo by sa odnieť do strediska separovaného zberu na recykláciu.
- Batéria: batérie sú recyklovateľné.
Batériu je možné mnohokrát dobíjať. Batérie na konci ich životnosti úplne vybite, vyberte ich z nástadia a odnesť do miestnej recyklačnej stanice.



BTX530 / BTX140

Prevod originalnih navodil



Skladno z veljavnimi direktivami EU



SPLOŠNA VARNOSTNA OPOZORILA ZA ELEKTRIČNO ORODJE

OPOZORILO! Preberite vsa varnostna opozorila, navodila, skice in tehnične podatke, priložene temu električnemu orodju. Neupoštevanje vseh spodaj navedenih navodil lahko povzroči električni udar, požar in/ali poškodbo.



Shranite vsa opozorila in navodila za prihodnjo uporabo.



Izraz »električno orodje« v opozorilih se nanaša na električno orodje z napajanjem iz električnega omrežja (prek napajalnega kabla) ali baterijsko električno orodje (brez napajalnega kabla).

1) VARNOST NA DELOVNEM OBMOCJU

- a) **Delovno mesto naj bo čisto in dobro osvetljeno.** Nesreče so lahko posledica neurejenih delovnih prostorov.
- b) **Motornih orodij ne uporabljajte v okoljih, kjer obstaja možnost eksplozije, na primer ob prisotnosti vnetljivih tekočin, plinov ali prahu.** Električna orodja ustvarjajo iskre, ki lahko vnamejo prah ali hlape.
- c) **Motornih orodja ne uporabljajte v prisotnosti drugih oseb, otrok ali opazovalcev.** Zaradi odvratanja pozornosti lahko izgubite nadzor.

2) ELEKTRIČNA VARNOST

- a) **Vtikač motornega orodja mora ustrezati napajalni vtičnici.** Vtikača ne smete na noben način spreminjati. V primeru ozemljenih orodij ne uporabljajte adapterskih vtičev. Nespremenjeni vtičaki in ustrezne napajalne vtičnice zmanjšajo nevarnost

električnega udara.

- b) **Izogibajte se telesnemu stiku z ozemljenimi površinami, kot so pipe, radiatorji, peči in hladilniki.** Če je vaše telo ozemljeno, obstaja povečano tveganje udara električnega toka.
- c) **Električnih orodij ne izpostavljajte dežju in vlažnim pogojem.** Voda, ki vstopi v električno orodje, povečuje tveganje udara električnega toka.
- d) **Ne zlorablajte napajalnega kabla. Nikoli ga ne uporabljajte za nošenje, vlečenje ali odklapanje napajalnega orodja. Pazite, da ne pride v stik z vročino, oljem, ostrimi robovi ali premičnimi deli.** Poškodovani ali zamotani kabli povečujejo tveganje udara električnega toka.
- e) **Ko električno orodje uporabljate na prostem, uporabite podaljšek, ki je primeren za uporabo na prostem.** Uporaba podaljška, ki je namenjen uporabi na prostem, zmanjšuje nevarnost električnega udara.
- f) **Če se ne morete izogniti uporabi električnega orodja v vlažnih prostorih, uporabljajte prekinjač.** Uporaba prekinjača zmanjša nevarnost električnega udara.

3) OSEBNA VARNOST

- a) **Pri uporabi električnega orodja bodite previdni, pazite, kaj počnete, in uporabljajte zdrav razum. Električnega orodja ne uporabljajte, kadar ste utrujeni ali pod vplivom drog, alkohola ali zdravil.** Že samo trenutek nepazljivosti med uporabo električnega orodja lahko povzroči hudo telesno poškodbo.
- b) **Uporabljajte opremo za osebno zaščito. Vedno nosite zaščitna očala.** Zaščitna oprema, kot so zaščitna maska za prah, zaščitni čevlji s podplatom z zaščito proti drsenju, zaščitna čelada ali zaščitne slušalke, ki jo uporabljamo različnim delovnim pogojem ustrezno, S24manjša nevarnost poškodb.
- c) **Preprečite nenamerni zagon. Preden orodje priklopite na vir napajanja in/ali baterijo, ga dvignete ali prenašate, se prepričajte, da je stikalo za vklop/izklop v položaju za izklop.** Če med prenašanjem električnega orodja držite prst na stikalu ali priklopite orodje, na katerem je stikalo za vklop/izklop v položaju za vklop, na vir napajanja, lahko povzročite nezgodo.
- d) **Pred vklopom orodja odstranite morebiten ključ ali izvijač za namestitvev.** Ključ ali izvijač, ki ostane na vrtečem se delu električnega orodja, lahko povzroči telesno poškodbo.
- e) **Ne poskušajte seči predaleč. Vedno ohranjajte stabilen položaj nog in ravnotežje.** Tako boste lažje nadzorovali električno orodje v nepričakovanih okoliščinah.
- f) **Oblecite se primerno. Ne nosite ohlapnih oblačil ali nakita. Las, oblačil in rokavic ne približujete premičnim se delom.** Premični deli lahko zgrabijo ohlapna oblačila, nakit ali dolge lase.
- g) **Če so priložene naprave za priključitev pripomočkov za odstranjevanje in zbiranje prahu, poskrbite, da bodo te priključene in pravilno uporabljene.** Uporaba pripomočkov za zbiranje prahu zmanjšuje s tem povezane nevarnosti.
- h) **Ne dovolite, da bi zaradi poznavanja orodja, ki izhaja iz njegove pogoste uporabe, postali samovšečni ter ne bi upoštevali varnostnih načel orodja.** Neprevidno ravnanje lahko povzroči hudo poškodbo v samo delčku sekunde.

4) UPORABA IN NEGA ELEKTRIČNEGA ORODJA

- a) **Električnega orodja ne uporabljajte na silo. Električno orodje uporabljajte samo za ustrezne namene.** Z ustreznim električnim orodjem boste delo bolje opravili, uporaba orodja za namen, za katerega je bilo zasnovano, pa je tudi varnejša.

- b) **Ne uporabljajte električnega orodja, na katerem ne deluje stikalo za vklop/izklop.** Katero koli električno orodje, ki ga ne morete krmiliti s stikalom, je nevarno in ga je treba popraviti.
- c) **Preden napravite kakršne koli prilagoditve, zamenjate dodatno opremo ali električno orodje shranite, iztaknite vtičač iz vira napajanja in/ali odstranite baterijo.** Ti preventivni varnostni ukrepi zmanjšujejo tveganje nenamernega zagona električnega orodja.
- d) **Električno orodje v pripravljenosti hranite zunaj dosega otrok. Ne dovolite, da električno orodje uporabljajo osebe, ki niso seznanjene z njegovo uporabo ali temi navodili.** Električna orodja so v rokah neusposobljenih uporabnikov nevarna.
- e) **Vzdržujte električno orodje in dodatno opremo. Preverite, ali so kateri gibljivi deli neporavnani ali prekržani, zlomljeni oz. ali je vidno katero drugo stanje, ki lahko vpliva na delovanje naprave. Poškodovano električno orodje pred uporabo odnesite na popravilo.** Številne nesreče so posledica neustreznega vzdrževanja električnega orodja.
- f) **Rezalno orodje naj bo ostro in čisto.** Pravilno vzdrževana rezalna orodja z ostrimi rezalnimi robovi so varnejša in jih je lažje upravljati.
- g) **Električna orodja, dodatno opremo in dele orodja itd. uporabljajte v skladu s temi navodili, upoštevajte pa tudi delovne pogoje in vrsto dela, ki ga želite opraviti.** Uporaba električnih orodij za dela, za katera niso namenjena, je lahko nevarno.
- h) **Ročaje in prijemne površine ohranjajte suhe in čiste ter poskrbite, da na njih ne bo olja in masti.** Spolzki ročaji in prijemne površine ne omogočajo varnega ravnanja in nadzora orodja v nepredvidenih situacijah.

5) UPORABA IN SKRb ZA BATERIJSKO ORODJE

- a) **Orodje polnite le s polnilnikom, ki ga priporoča proizvajalec.** Polnilnik, ki je primeren za uporabo z eno vrsto baterijskega sklopa, lahko povzroči tveganje za požar pri uporabi z drugo vrsto baterijskega sklopa.
- b) **Električno orodje uporabljajte le s posebej določenimi baterijskimi sklopi.** Uporaba drugačne vrste baterijskega sklopa lahko povzroči tveganje za poškodbe in požar.
- c) **Ko baterije ne uporabljate, jo hranite stran od drugih kovinskih predmetov, kot so sponke za papir, kovanci, ključi, žblji, vijaki in drugi majhni kovinski predmeti, ki lahko vzpostavijo povezavo z enega pola na drugega.** Povzročitev kratkega stika med baterijskimi terminali lahko povzroči opekline ali požar.
- d) **Pri uporabi v neprimernih pogojih lahko iz baterije izteče tekočina. Izogibajte se stiku z njo.** Če pride do nenamernega stika, mesto stika spirajte z vodo. Če pride tekočina v stik z očmi, poiščite zdravniško pomoč. Tekočina, ki izteče iz baterije, lahko povzroči draženje ali opekline.
- e) **Ne uporabljajte poškodovanega ali spremenjenega baterijskega sklopa ali orodja.** Poškodovane ali spremenjene baterije lahko povzročijo nepredvideno vedenje, ki lahko povzroči požar, eksplozijo ali tveganje za poškodbe.
- f) **Baterijskega sklopa ali orodja ne izpostavljajte ognju ali previsokim temperaturam.** Izpostavljenost ognju ali temperaturam nad 130 °C lahko povzroči eksplozijo.
- g) **Upoštevajte navodila za polnjenje in baterijskega sklopa ali orodja ne polnite izven temperaturnega razpona, navedenega v navodilih.** Neprimerno polnjenje ali polnjenje pri temperaturah izven navedenega razpona lahko poškoduje baterijo in poveča tveganje za požar.

6)SERVISIRANJE

- a) **Servis električnega orodja naj opravlja samo usposobljen ser-
viser, ki naj uporabi samo ustrezne nadomestne dele.** Samo
tako boste ohranili varnost električnega orodja.
- b) **Nikoli ne popravljajte poškodovanih baterijskih sklopov.** Servis
baterijskih sklopov lahko opravi le proizvajalec ali pooblaščen ser-
viserji.

VARNOSTNA OPOZORILA SPENJALNIKA

- **Vedno je treba predvidevati, da orodje vsebuje sponke.** Zara-
di neprevidne uporabe spenjalnika lahko pride do nenamernega
izpusta sponk in telesnih poškodb.
- **Orodja ne usmerjajte proti sebi ali drugim osebam v vaši
bližini.** Ob nenamernem sproženju sponk bo prišlo do poškodb.
- **Orodje aktivirajte le, ko je položeno ob obdelovanec.** Če orod-
je ni v stiku z obdelovancem, lahko sponko odnese stran od cilja.
- **Odklopite orodje iz vira napajanja, če se sponka zatakne v
orodju.** Med odstranjevanjem zagozdene sponke se spenjalnik
lahko nenamerno sproži, če je še vedno zagotovljeno napajanje.
- **Pri odstranjevanju zagozdene sponke bodite pazljivi.** Mehani-
zem je lahko pod tlakom in sponka se lahko pod silo sproži, med
tem ko skušate odstraniti oviro.
- **Spenjalnika ne uporabljajte za spenjanje električnih kablov.**
Naprava ni oblikovana za spenjanje izolacije električnih kablov in
lahko poškoduje izolacijo električnih kablov ter povzroči električni
udar ali nevarnost požara.

TECHNICAL SPECIFICATION

Baterijski spenjalnik, številka modela	BTX530	BTX140
Vrsta sponke	Rapid 53	Rapid 140
Dolžina sponke	6-14 mm	6-14 mm
Maks. zmogljivost nabojnika za sponke	112 kosov	66 kosov
Vrsta žebļa, dolžina	Rapid T8, 15-30 mm	
Maks. zmogljivost nabojnika za žebļje	66 kosov	
Dimenzije orodja (vklj. z baterijo) V x Š x D	195 x 60 x 220 mm	
Skupna teža	1,360 kg	
Baterija		
Vrsta, napetost	Li-Ion, 7,2 V	
Zmogljivost	1300 mAh	
Čas polnjenja	90 min	
Udarcev na polnjenje, maks.	≈ 1500 udarcev	
Hitrost, maksimalna neprekinjena	20 sponk/min	
Polnilnik		
Vhod	100-240V, 50-60Hz	
Izhod	8,4 V cc	
Napajanje	1000 mA	

EMISIJE HRUPA

A-obtežen nivo zvočnega hrupa $L_{pA}=79,3$ dB(A),
negotovost $K = 3$ dB(A)

A-obtežen nivo zvočnega hrupa $L_{wA}=90,3$ dB(A), negotovost $K = 3$ dB(A)

Priporočljivo je, da upravljavec uporablja zaščito za sluh.

VIBRACIJE

Skupna vrednost vibracij= $1,214$ m/s², negotovost $K=1,5$ m/s²

Navedena skupna vrednost vibracij je bila izmerjena v skladu s standardnim testnim načinom in se lahko uporablja pri primerjavi enega orodja z drugim.

Navedena skupna vrednost vibracij se lahko prav tako uporablja pri predhodni oceni izpostavljenosti.

OPOZORILO

Vibracijske emisije med dejansko uporabo orodja se lahko razlikujejo od deklarirane skupne vrednosti, odvisno od načina uporabe orodja.

Opredeliti je treba varnostne ukrepe za zaščito upravljavca, ki temeljijo na oceni izpostavljenosti v dejanskih pogojih uporabe (ob upoštevanju vseh delov obratovalnega cikla, kot so časi, kadar je orodje izklopljeno, kadar je v prostem teku in tudi čas sprožitve).



SESTAVA

DEFINICIJE (Slika 1, 2 in 10)

- | | | |
|--|----------------------------|------------------------------|
| A : Gumb za nastavitev zmogljivosti | B : Sprožilec | C : Baterijski paket |
| D : Tipko za sprostitvev | E : Varnostni jarem | F : Zapah za nabojnik |
| G : Tirnica | H : Nabojnik | I : Vtičnica |
| J : Točko polnjenja | K : Polnilnik | L : LED |

ODSTRANJEVANJE IN PRIKLJUČITEV BATERIJE

- Če želite odstraniti baterijo **C**, pritisnite tipko za sprostitvev **D** in potisnite baterijo iz naprave (Slika 3).
- Za priključitev baterije; potisnite jo v drugo smer dokler povezava klikne (Slika 4).

NALOŽITE SPONKE/ŽEBLJE V NABOJNIK

- Pritisnite zapah nabojnika **F**, da ga odklenete z ohišja.
- Porinite tirnico **G** nazaj.
- Vstavite sponke/žeblje, kot je prikazano na slikah 8 in 9.
- Zapri nabojnik s pritiskom tirnice naprej do zaklepanja.

ODSTRANJEVANJE SPONK/ŽEBLJEV IZ NABOJNIKA

- Pritisnite zapah nabojnika **F**, da ga odklenete z ohišja.
- Porinite tirnico **G** nazaj.
- Odstranite sponke/žeblje iz nabojnika.
- Zaprite nabojnik.

DELOVANJE

SPENJANJE/ZABIJANJE

- Zagotovite, da je orodje v dobrem delovnem stanju.
- Obrnite gumb za nastavitev zmogljivosti **A**, za nastavitev globine sponk/žebeljev na vaše potrebe (Slika 5).
- Trdno pritisnite varnostni jarem **E** proti obdelovancu in ga potisnite za nekaj milimetrov v obdelovane (Slika 6).
- Na kratko pritisnite na sprožilec **B** in nato spustite znova (Slika 7).
- Sprožilec **B** je zaklenjen, dokler ne pritisnete varnostni jarem proti obdelovancu, s čimer bi preprečili nenamerno delovanje.

NAVODILA ZA DELOVANJE POLNILNIKA

Ne uporabljate orodja med procesom polnjenja.

- Odstranite baterijo iz orodja.
- Priključite točko polnjenja **J** polnilnika v vtičnico **I** od baterije (Slika 10).
- Priključite polnilnik **K** na omrežje. → LED lučka **L** na polnilcu postane rdeča med polnjenjem (Slika 10).
- Ko je baterija napolnjena, LED lučka **L** polnilnika postane zelena (Slika 10).
- Odklopite vtič **J** iz vtičnice **I** in izključite polnilnik **K** iz omrežja.
 - Polnite le pri sobni temperaturi med 10 °C in 50 °C.
 - Med procesom polnjenja, lahko polnilnik postane zelo vroč: to je običajno.
 - Baterije ne shranjujte na mestih, kjer lahko temperatura preseže 50 °C.

OPOMBA: Za boljše delovanje pritisnite orodje ob obdelovane.

OPOMBA: Če se sponka ali žebelj zagozdi, preberite poglavje o vzdrževanju. NE poskušajte ponovno sprožiti orodja, da bi sprostiti zagozdeno sponko ali žebelj, ker se lahko orodje poškoduje.

OPOMBA: Med delovanjem se lahko orodje segreje. To je povsem normalno. Če pa se orodje začne premočno segreti, prenehajte z uporabo in počakajte, da se ohladi.

OPOMBA: Spenjalnik se lahko uporablja samo za predvidene uporabe. To orodje je predvideno za pripenjanje lesa, lepenke, izolacijskega materiala, blaga, folij, usnja in podobnih materialov na lesene površine ali materiale, ki so podobni lesu. Orodje je predvideno le za zasebno uporabo.

OPOMBA: Orodje uporabljajte le s posebno baterijo.

VZDRŽEVANJE

STANDARDNO VZDRŽEVANJE

- Preglejte vse vijake in jih po potrebi zategnite.
- Z vseh prezračevalnih odprtih odstranite prah in umazanijo.
- Pred čiščenjem orodja odstranite baterijo.
- Orodje očistite s suho ali vlažno krpo. NIKOLI ne uporabljajte nobenih topil.
- Kanal nabojnika vzdržujte čist.
- NE oljite ali mažite nobenih delov.
- Prepričajte se, da spenjalnik ni poškodovan. Pred uporabo ga zamenjajte ali popravite.

ODSTRANJEVANJE ZAGOZDENE SPONKE/ŽEBLJA

- Pritisnite zapah nabojnika **F**, da ga odklenete z ohišja.
- Porinite tirnico **G** nazaj.
- Iz nabojnika odstranite sponke/žeblje.
- Z zatičem z ostro konico odstranite zagozdeno sponko/žebelj.

OPOZORILO!!

NE spreminjajte delov tega spenjalnika ali nanj pritrjujte posebnih nastavkov. To lahko vodi do telesnih poškodb.

Če se kljub skrbni proizvodnji in preizkusnih postopkih pojavi okvara na orodju/polnilniku, naj popravilo opravi pooblaščen servisni center podjetja Rapid tools.



OKOLJE

Ločeno zbiranje. Ne odlagajte električna orodja med gospodinjske odpadke! V skladu z evropsko direk-

tivo 2012/19/ES o odpadni električni in elektronski opremi.

• Ko je treba orodje zamenjati, ali če je brez nadaljnje uporabe, ga treba pripeljati do ločenega zbiranja centra za recikliranje.

• Baterija: baterije so iz reciklažnih materialov.

Baterijo je mogoče napolniti večkrat. Na koncu njihove življenske dobe, popolnoma izpraznite baterijo, potem jo odstranite iz orodja, in jo prinesite na lokalno postajo za recikliranje.



BTX530 / BTX140

Prijevod izvornih uputa



U skladu je s relevantnim direktivama EU-a



OPĆA SIGURNOSNA UPOZORENJA ZA ELEKTRIČNE ALATE

UPOZORENJE!! Pročitajte sva sigurnosna upozorenja, upute, ilustracije i specifikacije priložene uz ovaj električni alat. Nepridržavanje dolje navedenih uputa može dovesti do strujnog udara, požara i/ili ozbiljnih ozljeda.



Sačuvajte sva upozorenja i upute za buduću uporabu.

Pojam "električni alat" u upozorenjima odnosi se na električni aparat povezan (kablom) na električnu mrežu ili električni alat (bez kabla) pokretan baterijom.



1) SIGURNOST NA RADNOM MJESTU

- Radno mjesto održavajte čistim i dobro osvijetljenim.** Pretrpana ili loše osvijetljena područja izazivaju nezgode.
- Nemojte se koristiti električnim alatom u eksplozivnoj atmosferi, primjerice u prisutnosti zapaljivih tekućina, plinova ili prašine.** Električni alati stvaraju iskre koje mogu zapaliti prašinu ili pare.
- Udaljite djecu i druge osobe kad upravljate električnim alatom.** Odvratanje pažnje može dovesti do gubitka kontrole.

2) ELEKTRIČNA SIGURNOST

- Utikači električnog alata moraju odgovarati utičnici. Nikad ne modificirajte utikač ni na koji način. Nemojte upotrebljavati utikače adaptera s uzemljenim električnim alatima.** Nemodificirani utikači i odgovarajuće utičnice smanjuju opasnost od strujnog udara.
- Izbjegavajte kontakt tijela s uzemljenim površinama kao što su cijevi, radijatori i hladnjaci.** Postoji povećan rizik od strujnog udara ako je vaše tijelo uzemljeno.
- Ne izlažite električne alate kiši ili vlažnim uvjetima.** Unos vode u električni alat povećava opasnost od strujnog udara.
- Nemojte nepravilno upotrebljavati kabel. Nikada ne upotrebljavajte kabel za nošenje, vučenje ili iskopčavanje električnog alata. Držite kabel podalje od topline, ulja, oštih rubova ili pomičnih dijelova.** Oštećeni ili zapetljani kabeli povećavaju rizik od strujnog udara.
- Kada upotrebljavate električni alat na otvorenom, koristite se produžnim kabelom pogodnim za vanjsku upotrebu.** Korištenje kabelom prikladnim za rad na otvorenom smanjuje rizik od strujnog udara.
- Ako je neizbježan rad na vlažnom mjestu, upotrebljavajte zaštitu napajanja s FI-sklopkom.** Korištenje FI-sklopkom smanjuje opasnost od strujnog udara.

3) OSOBNA SIGURNOST

- Ostanite pozorni, gledajte što radite i koristite se zdravim**

- razumom kada radite s električnim alatom. Ne upotrebljavajte električni alat kada ste umorni ili pod utjecajem droga, alkohola ili lijekova. Trenutak nepažnje tijekom korištenja električnim alatom može dovesti do ozbiljnih ozljeda.
- b) **Upotrebljavajte osobnu zaštitnu opremu. Uvijek nosite zaštitu za oči.** Zaštitna oprema, kao što su maska za prašinu, zaštitne cipele protiv klizanja, zaštitna kaciga ili zaštita za uši, smanjuje opasnost od ozljeda kad se upotrebljava u odgovarajućim uvjetima.
 - c) **Spriječite slučajno pokretanje alata. Uvjerite se da je prekidač u isključenom položaju prije nego alat uključite u struju ili spojite s baterijom, kao i prije dizanja ili nošenja alata.** Nošenje električnog alata kad držite prst na prekidaču ili spajanje na izvor električne energije kad je alat uključen može dovesti do nezgoda.
 - d) **Prije nego uključite električni alat, uklonite svaki ključ za odvrtnje ili podešavanje.** Ključ koji je ostao pričvršćen za rotirajući dio električnog alata može dovesti do osobnih ozljeda.
 - e) **Nemojte se pretjerano naginjati i istežati prilikom rada. Stojte stabilno u položaju koji vam omogućuje da držite ravnotežu.** To omogućuje bolje upravljanje električnim alatom u neočekivanim situacijama.
 - f) **Pravilno se obucite za rad. Ne nosite odjeću koja visi ili nakit. Vašu kosu, odjeću i rukavice držite podalje od pomičnih dijelova.** Pomični dijelovi mogu zahvatiti odjeću koja visi, nakit ili dugu kosu.
 - g) **Ako imate dostupne sprave za priključak uređaja za usisavanje i skupljanje prašine, uvjerite se da su priključene i da se pravilno upotrebljavaju.** Korištenje uređajima za skupljanje prašine smanjuje opasnosti koje prašina može uzrokovati.
 - h) **Ne dopustite da vas poznavanje stečeno učestalim korištenjem alatom dovede do toga da se opustite i postanete neoprezni zanemarujući načela sigurnog rukovanja alatima.** Neoprezno baratanje može prouzročiti teške ozljede u djeliću sekunde.
- #### 4) KORIŠTENJE ELEKTRIČNIM ALATOM I ODRŽAVANJE
- a) **Nemojte siliti električni alat. Upotrebljavajte pravilan električni alat za vašu primjenu.** Pravilnim električnim alatom radit ćete bolje i sigurnije učestalošću za koju je osmišljen.
 - b) **Ne upotrebljavajte električni alat ako se prekidač ne može uključiti i isključiti.** Svaki električni alat kojim se ne može upravljati preko prekidača opasan je i mora se popraviti.
 - c) **Izvadite utikač iz strujne utičnice i/ili izvadite bateriju iz električnog alata prije bilo kakvog podešavanja, zamjene pribora ili pohrane električnog alata.** Svaka od tih mjera opreza smanjuje opasnost od slučajnog pokretanja električnog alata.
 - d) **Aparate koji se ne upotrebljavaju spremite izvan dohvata djece i ne dopustite korištenje električnim alatom osobama koje nisu upoznate s električnim alatom ili ovim uputama.** Električni alati opasni su u rukama neiskusnih korisnika.
 - e) **Održavajte električne alate i pribor. Provjerite jesu li pokretni dijelovi iskrivljeni ili zaglavljani. Provjerite ima li lomova ili bilo kakvih drugih stanja koji bi mogli utjecati na rad električnog alata. Ako je alat oštećen, morate ga popraviti prije upotrebe.** Loše održavani električni alati uzrokuju brojne nesreće.
 - f) **Rezni alat održavajte oštrim i čistim.** Pravilno održavani rezni alati s oštrim rubovima lakši su za upravljanje te je manja vjerojatnost da će se zaglaviti.
 - g) **Upotrebljavajte električni alat, pribor, nastavke alata itd. u**

skladu s ovim uputama uzimajući u obzir radne uvjete i radove koji se izvode. Korištenje električnim alatom za radove različite od onih za koje je namijenjen može odvesti do opasnosti.

h) **Držite ručke i zahvatne površine suhim, čistim i bez ulja i masti.** Klizave ručke i zahvatne površine ne omogućuju sigurno rukovanje i kontrolu alata u neočekivanim situacijama.

5) KORIŠTENJE AKU ALATOM I ODRŽAVANJE

a) **Punite samo punjačem koji je odredio proizvođač.** Punjač koji je prikladan za jednu vrstu baterije može stvoriti rizik od požara kada se upotrebljava s drugom baterijom.

b) **Upotrebljavajte električni alat samo s odgovarajućim, posebno označenim baterijama.** Upotreba bilo kakve baterije koja ne pripada alatu može stvoriti opasnost od ozljeda i požara.

c) **Kada se baterija ne upotrebljava, držite je podalje od metalnih predmeta kao što su spajalice, kovanice, ključevi, čavli te drugi mali metalni predmeti koji mogu dovesti do spoja između dva pola baterije.** Izazivanje kratkog spoja polova baterije može uzrokovati opekline ili požar.

d) **Kod neispravnog rukovanja i nastanka oštećenja može doći do izbacivanja tekućine iz baterije; izbjegavajte kontakt.** Ako slučajno dođe do kontakta, isperite vodom. Ako tekućina dođe u kontakt s očima, također potražite liječničku pomoć. Tekućina izbačena iz baterije može uzrokovati iritaciju ili opekline.

e) **Nemojte upotrebljavati bateriju ili alat koji je oštećen ili preinačen.** Oštećene ili modificirane baterije mogu pokazivati nepredvidljivo ponašanje koje može dovesti do požara, eksplozije ili opasnosti od ozljeda.

f) **Nemojte izlagati bateriju ili alat vatri ili prekomjernoj temperaturi.** Izlaganje vatri ili temperaturi višoj od 130 °C / 265 °F može izazvati eksploziju.

g) **Slijedite sve upute za punjenje i ne punite bateriju ili alat izvan temperaturnog raspona navedenog u uputama.** Nepravilno punjenje ili punjenje pri temperaturama izvan navedenog raspona može oštetiti bateriju i povećati rizik od požara.

6) SERVIS

a) **Neka električni alat servisira kvalificirana osoba upotrebljavajući isključivo istovjetne zamjenske dijelove.** Tako će električni alat ostati siguran za daljnju uporabu.

b) **Nikada nemojte servisirati oštećene baterije.** Servis baterija smije izvoditi samo proizvođač ili ovlašteni serviser.

SIGURNOSNA UPOZORENJA ZA KLAMERICU

- **Uvijek pretpostavite da je alat napunjen spajalicama.** Nepažljivo rukovanje klamericom može dovesti do neočekivanog ispaljivanja spajalica i osobnih ozljeda.
- **Ne usmjeravajte alat prema sebi ili prema bilo kome u blizini.** Neočekivano okidanje dovodi do ispućavanja spajalica te ozljeda.
- **Ne okidajte prekidačem alata ako alat nije čvrsto prislonjen na komad koji se obrađuje.** Ako alat nije prislonjen na komad koji se obrađuje, spajalica se prilikom ispućavanja može odbiti od cilja.
- **Iskopčajte alat iz izvora napajanja kada dođe do zaglavljenja spajalice u alatu.** Pri uklanjanju zaglavljenih spajalica klamera se može slučajno aktivirati ako je uključena u struju ili prikopčana na bateriju.
- **Budite oprezni prilikom uklanjanja zaglavljene spajalice.** Mehanizam može biti pod pritiskom te spajalica može biti silovito izbačena pri pokušaju da se alat oslobodi zaglavljenja.
- **Ne upotrebljavajte ovu klamericu za pričvršćivanje električnih**

kabela. Nije namijenjena za instalaciju električnih kabela i može oštetiti izolaciju električnih kabela i time izazvati električni udar ili opasnost od požara.

TEHNIČKE SPECIFIKACIJE

Aku klameraica, broj modela	BTX530	BTX140
Tip spajalice	Rapid 53	Rapid 140
Dužina spajalice	6 – 14 mm	6 – 14 mm
Kapacitet spremnika za spajalice, maksimalan	112 kom.	66 kom.
Čavlići, duljina	Rapid T8, 15 – 30 mm	
Kapacitet spremnika za čavliće, maksimalan	66 kom.	
Dimenzije alata (uključujući bateriju) V x Š x D	195 x 60 x 220 mm	
Težina alata	1,360 kg	
Baterija		
Tip, napon	Li-Ion, 7,2 V	
Kapacitet	1300 mAh	
Vrijeme punjenja	90 min	
Broj zabijanja po punjenju, maksimalan	≈ 1500 zabijanja	
Brzina, maksimalna kontinuirana	20 udaraca/min	
Punjač		
Ulaz	100 – 240 V, 50 – 60Hz	
Izlaz	8,4 V d.c.	
Jakost	1000 mA	

EMISIJA BUKE

A-ponderirana razina zvučnog tlaka $L_pA=79,3$ dB(A), neizvjesnost $K=3$ dB(A)

A-ponderirana razina zvučnog tlaka $L_wA=90,3$ dB(A), neizvjesnost $K=3$ dB(A)

Preporučuje se upotreba zaštite za sluh prilikom rukovanja.

VIBRACIJE

Ukupna vrijednost vibracija = $1,214$ m/s², neizvjesnost $K = 1,5$ m/s²

Navedena ukupna vrijednost vibracija izmjerena je u skladu sa standardnom metodom ispitivanja i može se upotrebljavati za usporedbu jednog alata s drugim.

Navedena ukupna vrijednost vibracija također se može upotrebljavati u preliminarnoj procjeni izloženosti.

UPOREJENJE

Vibracije koje nastaju tijekom stvarnog korištenja električnim alatom mogu se razlikovati od navedene ukupne vrijednosti ovisno o načinu na koji se alat upotrebljava.

Potrebno je odrediti sigurnosne mjere za zaštitu rukovatelja koje se temelje na procjeni izloženosti u stvarnim uvjetima upotrebe (uzimajući u obzir sve dijelove radnog ciklusa, kao što je vrijeme kada je alat isključen i kada radi u praznom hodu, pored samog vremena okidanja).



SASTAVLJANJE

DEFINICIJE (Slike 1, 2 i 10)

A : Gumb za podešavanje snage

B : Okidač

C : Baterija

D : Tipke za otpuštanje

E : Sigurnosna poluga

F : Zatvarač spremnika

G : Šina

H : Spremnik

I : Utičnica

J : Točka punjenja

K : Punjač

L : LED svjetlo

UKLANJANJE I SPAJANJE BATERIJE

1. Da biste izvadili bateriju **C**, pritisnite tipke za otpuštanje **D** i izvucite bateriju iz alata (Slika 3).
2. Da biste spojili bateriju, gurnite je u drugom smjeru dok spoj ne klikne (Slika 4).

UMETANJE SPAJALICA/ČAVALA U SPREMNİK

1. Pritisnite zatvarač spremnika **F** kako biste ga odspojili od tijela klameraice .
2. Klizno pomaknite šinu **G** prema natrag.
3. Umetnite traku sa spajalicama/čavlicima kao što je prikazano na slikama 8 i 9.
4. Zatvorite spremnik gurajući šinu prema naprijed sve dok se ne zaključa.

UKLANJANJE SPAJALICA/ČAVALA IZ SPREMNIKA

1. Pritisnite zatvarač spremnika **F** kako biste ga odspojili od tijela klameraice .
2. Klizno pomaknite šinu **G** prema natrag.
3. Uklonite spajalice/čavle iz spremnika.
4. Zatvorite spremnik.

RAD

ZABIJANJE SPAJALICA/ČAVLIĆA

1. Uvjerite se da je alat u dobrom stanju.
2. Okrenite gumb za podešavanje snage **A** kako biste namjestili dubinu prodiranja spajalica/čavlića prema vašim potrebama (Slika 5).
3. Čvrsto pritisnite sigurnosnu polugu **E** uz komad koji se obrađuje sve dok se ona ne uvuče za nekoliko milimetara (Slika 6).
4. Kratko pritisnite okidač **B**, a zatim ga ponovno otpustite (Slika 7).

5. Okidač **B** zaključan je sve dok ne pritisnete sigurnosnu polugu uz komad koji se obrađuje, čime se sprječava slučajno okidanje.

UPUTE ZA RAD PUNJAČA

Ne koristite se ovim alatom dok se puni.

1. Izvadite bateriju iz alata.
2. Prikjučite točku punjenja **J** punjača u utičnicu **I** baterije (Slika 10).
3. Priključite punjač **K** na struju. → LED svjetlo **L** na punjaču svijetli crveno tijekom punjenja (Slika 10).
4. Kada se baterija potpuno napuni, LED svjetlo **L** na punjaču svijetli zeleno (Slika 10).
5. Iskopčajte utikač **J** iz utičnice baterije **I** te iskopčajte punjač **K** iz strujne utičnice.
 - Punite samo kad je temperatura okoline između 10 °C i 50 °C.
 - Za vrijeme postupka punjenja punjač se može zagrijati: to je normalno.
 - Ne držite bateriju na mjestima gdje temperatura premašuje 50 °C.

NAPOMENA: za bolje rezultate pritisnite alat uz komad koji se obrađuje.

NAPOMENA: U slučaju zaglavljene spajalice ili čavlića pročitajte poglavlje o održavanju. NE PRITIŠĆITE ponovno okidač kako biste uklonili zaglavljene čavliće jer to može dovesti do oštećenja alata.

NAPOMENA: tijekom rada alat se može zagrijati. To je normalno, ali ako alat postane previše topao, treba prekinuti s upotrebom dok se alat ne ohladi.

NAPOMENA: Klamericu treba upotrebljavati samo u za to namijenjene svrhe. Ovaj alat namijenjen je za pribijanje drva, kartona, izolacijskog materijala, tkanine, kože i sličnih materijala na površinama od drva ili materijala sličnih drvu i služi samo za osobnu upotrebu.

NAPOMENA: Alat upotrebljavajte samo s posebno namijenjenom baterijom.

ODRŽAVANJE

STANDARDNO ODRŽAVANJE

1. Provjerite sve vijke i pritegnite ih ako je potrebno.
2. Držite sve otvore bez prašine i prljavštine.
3. Izvadite bateriju prije čišćenja alata.
4. Alat čistite suhom ili vlažnom krpom. NIKADA se ne koristite otapalima.
5. Držite kanal spremnika čistim.
6. NE podmazujte dijelove uljem ili mastima.
7. Uvjerite se da klamerica nije oštećena. Popravite ili zamijenite prije uporabe.

UKLANJANJE ZAGLAVLJENE SPAJALICE / ČAVLA

1. Pritisnite zatvarač spremnika **F** kako biste ga odspojili od tijela klamerice .
2. Klizno pomaknite šinu **C** prema natrag.
3. Izvadite labave spajalice/čavle iz spremnika.
4. Upotrebljavajte iglu s oštrim krajem za uklanjanje zaglavljenih čavlića/spajalica.

UPOZORENJE!

NE radite modifikacije na ovoj klamerici te nemojte pričvršćivati posebne armature i dodatke. To može dovesti do osobnih ozljeda.

U slučaju da dođe do kvara alata/punjača usprkos svojoj brizi u postupku proizvodnje i ispitivanja, popravak treba obaviti u postprodajnom servisnom centru za Rapid alate.



OKOLIŠ

Prikuplja se odvojeno. Ne bacajte električne alate u kućni otpad! Prema europskoj Direktivi 2012/19/EZ o zbrinjavanju električne i elektroničke opreme.

U trenutku kad Vaš alat treba biti zamijenjen ili kad Vam nije više od koristi, treba ga predati u za to predviđen reciklažni centar.

▪ Baterija: baterije se mogu reciklirati.

Baterija se može ponovno puniti više puta. Na kraju vijeka trajanja baterije, ispraznite bateriju do kraja, odvojite ju od uređaja i odnesite u najbliži centar za recikliranje.



BTX530 / BTX140

Μετάφραση των πρωτότυπων οδηγιών



Συμμορφώνεται με τις σχετικές οδηγίες της EE



ΓΕΝΙΚΕΣ ΠΡΟΕΙΔΟΠΟΙΗΣΕΙΣ ΑΣΦΑΛΕΙΑΣ ΓΙΑ ΗΛΕΚΤΡΙΚΑ ΕΡΓΑΛΕΙΑ

ΠΡΟΕΙΔΟΠΟΙΗΣΗ!! Διαβάστε όλες τις προειδοποιήσεις ασφαλείας, τις οδηγίες, τις εικόνες και τις προδιαγραφές που παρέχονται με αυτό το ηλεκτρικό εργαλείο. Η μη τήρηση όλων των οδηγιών που αναφέρονται παρακάτω μπορεί να προκαλέσει ηλεκτροπληξία, πυρκαγιά και/ή σοβαρό τραυματισμό.



Φυλάξτε όλες τις προειδοποιήσεις και οδηγίες για μελλοντική αναφορά.

Ο όρος "ηλεκτρικό εργαλείο" στις προειδοποιήσεις αναφέρεται στο ηλεκτρικό εργαλείο που τροφοδοτείται από το ηλεκτρικό δίκτυο (ενσύρματο) ή από μπαταρία (ασύρματο).

1) ΑΣΦΑΛΕΙΑ ΠΕΡΙΟΧΗΣ ΕΡΓΑΣΙΑΣ

- α) **Διατηρήστε το χώρο εργασίας καθαρό και καλά φωτισμένο.**
Οι ακατάστατοι πάγκοι ή σκοτεινές περιοχές γίνονται πρόξενοι ατυχημάτων.
- β) **Μην θέτετε το εργαλείο σε λειτουργία σε εκρηκτικές ατμόσφαιρες, όπως υπό παρουσία εύφλεκτων υγρών, αερίων ή σκόνης.** Τα ηλεκτρικά εργαλεία δημιουργούν σπινθήρες που μπορεί να αναφλέξουν την σκόνη ή τους καπνούς.
- γ) **Κρατήστε τους παρευρισκόμενους, τα παιδιά και τους επισκέπτες μακριά, ενώ χρησιμοποιείτε ένα ηλεκτρικό εργαλείο.** Οι περισπασμοί μπορεί να σας κάνουν να χάσετε τον έλεγχο.

2) ΗΛΕΚΤΡΙΚΗ ΑΣΦΑΛΕΙΑ

- α) **Τα βύσματα ηλεκτρικού εργαλείου πρέπει να ταιριάζουν στον ρευματολήπτη.** Ποτέ μην τροποποιείτε το βύσμα με κανένα τρόπο. Μην χρησιμοποιείτε οποιαδήποτε βύσματα προσαρμογέα με γειωμένα ηλεκτρικά εργαλεία. Βύσματα που δεν έχουν τροποποιηθεί και πρίζες που είναι κατάλληλες θα μειώσουν τον κίνδυνο ηλεκτροπληξίας.
- β) **Αποφύγετε την επαφή σώματος με γειωμένες επιφάνειες, όπως σωλήνες, καλοριφέρ, εστίες και ψυγεία.** Υπάρχει αυξημένος κίνδυνος ηλεκτροπληξίας, αν το σώμα σας είναι γειωμένο.
- γ) **Μην εκθέτετε τα ηλεκτρικά εργαλεία σε βροχή ή συνθήκες υγρασίας.** Η διείσδυση νερού σε ένα ηλεκτρικό εργαλείο θα αυξήσει τον κίνδυνο ηλεκτροπληξίας.
- δ) **Μην κακομεταχειρίζεστε το καλώδιο.** Ποτέ μην χρησιμοποιείτε το καλώδιο για να μεταφέρετε, να τραβήξετε ή να αποσυνδέσετε το ηλεκτρικό εργαλείο. Κρατήστε το καλώδιο μακριά από θερμότητα, λάδι, αιχμηρές άκρες ή μετακινούμενα μέρη. Κατεστραμμένα ή περιπλεγμένα καλώδια αυξάνουν τον κίνδυνο ηλεκτροπληξίας.
- ε) **Όταν λειτουργείτε ένα ηλεκτρικό εργαλείο στο ύπαιθρο, χρησιμοποιήστε ένα καλώδιο επέκτασης κατάλληλο για εξωτερική χρήση.** Η χρήση ενός καλωδίου για εξωτερική χρήση μειώνει τον κίνδυνο ηλεκτροπληξίας.
- ζ) **Αν η λειτουργία ενός ηλεκτρικού εργαλείου σε ένα υγρό μέρος είναι αναπόφευκτη, χρησιμοποιήστε μια παροχή που προστατεύεται με διακόπτη κυκλώματος βλάβης γείωσης.** Η χρήση ενός διακόπτη κυκλώματος βλάβης γείωσης μειώνει τον κίνδυνο ηλεκτροπληξίας.

3) ΠΡΟΣΩΠΙΚΗ ΑΣΦΑΛΕΙΑ

- α) **Μείνετε σε εγρήγορση, προσέξτε τις ενέργειές σας και χρησιμοποιήστε κοινή λογική, όταν χρησιμοποιείτε ένα ηλεκτρικό εργαλείο.** Μην χρησιμοποιείτε ένα ηλεκτρικό εργαλείο, ενώ είστε κουρασμένοι ή υπό την επήρεια ναρκωτικών, αλκοόλ ή φαρμάκων. Μια στιγμή απροσεξίας, ενώ λειτουργείτε το ηλεκτρικό εργαλείο, μπορεί να προκαλέσει σοβαρό προσωπικό τραυματισμό.
- β) **Χρησιμοποιήστε ατομικό προστατευτικό εξοπλισμό.** Πάντα να φοράτε προστατευτικό για τα μάτια. Ο προστατευτικός εξοπλισμός, όπως μάσκα για τη σκόνη, αντιολισθητικά παπούτσια ασφαλείας, προστατευτικό κράνος ή ακουστικά που χρησιμοποιούνται για

- ανάλογες συνθήκες, θα μειώσει ατομικούς τραυματισμούς.
- γ) Αποτρέψτε μη ηθελημένη εκκίνηση. Διασφαλίστε ότι ο διακόπτης βρίσκεται στην κλειστή θέση (off), πριν να συνδέσετε σε πηγή ισχύος ή/και συστοιχία μπαταρίας και πριν να πιάσετε ή να μεταφέρετε το εργαλείο. Αν μεταφέρετε ηλεκτρικά εργαλεία με το δάκτυλο στο διακόπτη ή ενεργοποιείτε ηλεκτρικά εργαλεία με ανοικτό το διακόπτη, προκαλούνται ατυχήματα.
- δ) Αφαιρέστε οποιοδήποτε ρυθμιστικό ή μηχανικό κλειδί, προτού ενεργοποιήσετε το ηλεκτρικό εργαλείο. Ένα μηχανικό κλειδί ή ρυθμιστικό που έχει μείνει συνδεδεμένο σε ένα περιστρεφόμενο μέρος του ηλεκτρικού εργαλείου μπορεί να προκαλέσει προσωπικό τραυματισμό.
- ε) Μην τεντώνετε για φθάσετε σε κάποιο σημείο. Διατηρήστε σωστή στήριξη και ισορροπία σε κάθε στιγμή. Αυτό επιτρέπει τον καλύτερο έλεγχο του ηλεκτρικού εργαλείου σε μη αναμενόμενες καταστάσεις.
- ζ) Φορέστε κατάλληλα ρούχα. Μην φοράτε χαλαρά ρούχα ή κοσμήματα. Κρατήστε μαλλιά, ρούχα και γάντια μακριά από μετακινούμενα μέρη. Τα χαλαρά ρούχα, κοσμήματα και μακριά μαλλιά μπορεί να πιαστούν σε περιστρεφόμενα μέρη.
- η) Αν παρέχονται διατάξεις για τη σύνδεση εξαγωγής σκόνης και δυνατότητας συλλογής, διασφαλίστε ότι αυτές έχουν συνδεθεί και χρησιμοποιούνται σωστά. Η χρήση συλλέκτη σκόνης μπορεί να μειώσει τους κινδύνους που σχετίζονται με σκόνη.
- θ) Μην αφήσετε την εξοικείωση που αποκτήθηκε από τη συχνή χρήση εργαλείων να σας επιτρέπουν να γίνετε εφησυχασμένοι και να αγνοήσετε τις αρχές ασφάλειας εργαλείων. Μια απρόσεκτη ενέργεια μπορεί να προκαλέσει σοβαρό τραυματισμό μέσα σε ένα κλάσμα του δευτερολέπτου.

4) ΧΡΗΣΗ ΚΑΙ ΦΡΟΝΤΙΔΑ ΗΛΕΚΤΡΙΚΟΥ ΕΡΓΑΛΕΙΟΥ

- α) Μην εφαρμόζετε δύναμη στο ηλεκτρικό εργαλείο. Χρησιμοποιήστε το σωστό ηλεκτρικό εργαλείο για την εφαρμογή σας. Το σωστό ηλεκτρικό εργαλείο θα κάνει την εργασία καλύτερα και ασφαλέστερα στο βαθμό για τον οποίο σχεδιάστηκε.
- β) Μην χρησιμοποιείτε το ηλεκτρικό εργαλείο, αν ο διακόπτης δεν ανοίγει και κλείνει. Κάθε ηλεκτρικό εργαλείο που δεν μπορεί να ελεγχθεί με το διακόπτη είναι επικίνδυνο και χρήζει επισκευής.
- γ) Αποσυνδέστε το βύσμα από την πηγή ισχύος ή/και τη συστοιχία μπαταρίας του ηλεκτρικού εργαλείου, προτού να πραγματοποιήσετε ρυθμίσεις, αλλαγή εξαρτημάτων ή να αποθηκεύσετε ηλεκτρικά εργαλεία. Τέτοια προληπτικά μέτρα ασφαλείας μειώνουν τον κίνδυνο να ξεκινήσει το εργαλείο κατά λάθος.
- δ) Αποθηκεύστε τα αδρανή ηλεκτρικά εργαλεία μακριά από την εμβέλεια των παιδιών και μην επιτρέπετε σε άτομα που δεν είναι εξοικειωμένα με το ηλεκτρικό εργαλείο ή αυτές τις οδηγίες να το χρησιμοποιούν. Τα ηλεκτρικά εργαλεία είναι επικίνδυνα στα χέρια μη εκπαιδευμένων χρηστών.
- ε) Διατηρείστε τα ηλεκτρικά εργαλεία και τα εξαρτήματα. Ελέγξτε για εσφαλμένη αντιστοίχιση ή ένωση των κινούμενων μερών, θραύση εξαρτημάτων ή για κάθε άλλη συνθήκη που μπορεί να επηρεάζει αρνητικά τη λειτουργία του ηλεκτρικού εργαλείου. Αν υπάρχει βλάβη, επισκευάστε πρώτα το ηλεκτρικό εργαλείο πριν από τη χρήση. Πολλά ατυχήματα προκαλούνται λόγω ελλιπούς συντήρησης των ηλεκτρικών εργαλείων.

ζ) Κρατήστε τα εργαλεία κοπής αιχμηρά και καθαρά. Εργαλεία κοπής με αιχμηρές άκρες που έχουν συντηρηθεί σωστά είναι λιγότερο πιθανό να καμφθούν και ευκολότερο να ελεγχθούν.

η) Χρησιμοποιήστε το ηλεκτρικό εργαλείο, τα εξαρτήματα και τα κοπίδια εργαλείου κτλ. σύμφωνα με αυτές τις οδηγίες, λαμβάνοντας υπόψη τις συνθήκες εργασίας και την εργασία που πρέπει να διεξαχθεί. Η χρήση του ηλεκτρικού εργαλείου για λειτουργίες διαφορετικές από αυτές που προορίζεται μπορεί να προκαλέσει μια επικίνδυνη κατάσταση.

θ) Διατηρείστε τις χειρολαβές και τις επιφάνειες πιασίματος στεγνές, καθαρές και απαλλαγμένες από λάδια και γράσο. Οι ολισθηρές λαβές και οι επιφάνειες πιασίματος δεν επιτρέπουν τον ασφαλή χειρισμό και τον έλεγχο του εργαλείου σε απροσδόκητες καταστάσεις.

5) ΧΡΗΣΗ ΚΑΙ ΦΡΟΝΤΙΔΑ ΕΡΓΑΛΕΙΩΝ ΜΠΑΤΑΡΙΑΣ

α) Επαναφορτίστε μόνο με τον φορπιστή που καθορίζεται από τον κατασκευαστή. Ένας φορπιστής που είναι κατάλληλος για έναν τύπο μπαταρίας μπορεί να δημιουργήσει κίνδυνο φωτιάς όταν χρησιμοποιείται με άλλη μπαταρία.

β) Χρησιμοποιείτε ηλεκτρικά εργαλεία μόνο με ειδικές μπαταρίες. Η χρήση οποιωνδήποτε άλλων μπαταριών μπορεί να δημιουργήσει κίνδυνο τραυματισμού και πυρκαγιάς.

γ) Όταν το πακέτο μπαταρίας δεν χρησιμοποιείται, κρατήστε το μακριά από άλλα μεταλλικά αντικείμενα, όπως κλιπ χαρτιού, νομίσματα, κλειδιά, καρφιά, βίδες ή άλλα παρόμοια μικρά μεταλλικά αντικείμενα που μπορούν να δημιουργήσουν μια σύνδεση από τον έναν ακροδέκτη στον άλλο. Το βραχυκύκλωμα μεταξύ των ακροδεκτών της μπαταρίας μπορεί να προκαλέσουν εγκαύματα ή πυρκαγιά.

δ) Υπό καταχρηστικές συνθήκες, μπορεί να εκτοξευθεί υγρό από την μπαταρία. Αποφύγετε την επαφή. Σε περίπτωση τυχαίας επαφής, ξεπλύνετε με νερό. Αν το υγρό έρθει σε επαφή με τα μάτια, ζητήστε επιπλέον ιατρική βοήθεια. Το υγρό που εξέρχεται από την μπαταρία μπορεί να προκαλέσει ερεθισμό ή εγκαύματα.

ε) Μην χρησιμοποιείτε μπαταρία ή εργαλείο που έχει υποστεί ζημιά ή έχει τροποποιηθεί. Οι κατεστραμμένες ή τροποποιημένες μπαταρίες ενδέχεται να παρουσιάζουν απρόβλεπτη συμπεριφορά με αποτέλεσμα πυρκαγιάς, έκρηξης ή κίνδυνο τραυματισμού.

στ) Μην εκθέτετε την μπαταρία ή το εργαλείο σε πυρκαγιά ή στην υπερβολική θερμοκρασία. Η έκθεση σε φωτιά ή η θερμοκρασία πάνω από 130°C /265°F μπορεί να προκαλέσει έκρηξη.

ζ) Ακολουθήστε όλες τις οδηγίες φόρτισης και μην φορτίζετε την μπαταρία ή το εργαλείο εκτός του εύρους θερμοκρασίας που καθορίζεται στις οδηγίες. Η μη σωστή φόρτιση ή σε θερμοκρασίες εκτός του καθορισμένου εύρους μπορεί να καταστρέψει την μπαταρία και να αυξήσει τον κίνδυνο πυρκαγιάς.

6) ΣΕΡΒΙΣ

α) Αναθέστε το σέρβις του ηλεκτρικού σας εργαλείου σε έναν καταρτισμένο τεχνικό επισκευής, που θα χρησιμοποιήσει μόνο όμοια ανταλλακτικά. Έτσι διασφαλίζεται η ασφάλεια του ηλεκτρικού εργαλείου.

β) Μην φτιάχνετε ποτέ τις βλάβες των μπαταριών. Η συντήρηση των μπαταριών πρέπει να πραγματοποιείται μόνο από τον κατασκευαστή ή από εξουσιοδοτημένους παροχείς υπηρεσιών.

ΠΡΟΕΙΔΟΠΟΙΗΣΕΙΣ ΑΣΦΑΛΕΙΑΣ ΓΙΑ ΕΡΓΑΛΕΙΟ ΜΟΝΤΑΡΙΣΜΑΤΟΣ

- **Πάντα να θεωρείτε ότι το εργαλείο περιέχει συνδετήρες.** Ο απρόσκεκτος χειρισμός της συσκευής μονταρίσματος μπορεί να έχει ως αποτέλεσμα μια μη αναμενόμενη εκτόξευση συνδετήρων και έτσι προσωπικό τραυματισμό.
- **Μην στρέψετε το εργαλείο προς τα πάνω σας ή προς κάποιον που είναι κοντά.** Μια μη αναμενόμενη εκτόξευση θα ελευθερώσει το συνδετήρα, προκαλώντας έτσι τραυματισμό.
- **Μην ενεργοποιείτε το εργαλείο, εκτός και αν είναι τοποθετημένο σταθερά έναντι του τεμαχίου προς επεξεργασία.** Αν το εργαλείο δεν είναι σε επαφή με το τεμάχιο προς επεξεργασία, ο συνδετήρας μπορεί να εκτραπεί από το στόχο του.
- **Αποσυνδέστε το εργαλείο από την πηγή ισχύος, όταν κάποιος συνδετήρας έχει κολλήσει μέσα στο εργαλείο.** Όταν αφαιρείτε ένα συνδετήρα που έχει κολλήσει, το εργαλείο μονταρίσματος μπορεί να ενεργοποιηθεί κατά λάθος, αν είναι συνδεδεμένο.
- **Να είστε προσεκτικοί όταν αφαιρείτε ένα συνδετήρα που έχει κολλήσει.** Ο μηχανισμός μπορεί να βρίσκεται υπό πίεση και ο συνδετήρας να ελευθερωθεί με δύναμη, όταν επιχειρείτε να διορθώσετε μια κατάσταση συμφόρησης.
- **Μην χρησιμοποιείτε αυτό το εργαλείο μονταρίσματος για στερέωση ηλεκτρικών καλωδίων.** Δεν είναι σχεδιασμένο για εγκατάσταση ηλεκτρικών καλωδίων, επειδή μπορεί να καταστρέψει τη μόνωσή τους, προκαλώντας ηλεκτροπληξία και κίνδυνο πυρκαγιάς.

ΤΕΧΝΙΚΕΣ ΠΡΟΔΙΑΓΡΑΦΕΣ

Εργαλείο μονταρίσματος με μπαταρία, αριθμός μοντέλου	BTX530	BTX140
Τύπος σύρματος	Rapid 53	Rapid 140
Μήκος σύρματος	6-14 mm	6-14 mm
Χωρητικότητα συρμάτων του γεμιστήρα, μεγ.	112 τμχ.	66 τμχ.
Τύπος καρφιού, μήκος	Rapid T8, 15-30 mm	
Χωρητικότητα καρφίων του γεμιστήρα, μεγ.	66 τμχ.	
Διαστάσεις εργαλείου (με την μπαταρία) H x Π x Μ	195 x 60 x 220 mm	
Βάρος εργαλείου	1,360 kg	
Μπαταρία		
Τύπος, Τάση	Li-Ion, 7,2 V	
Χωρητικότητα	1300 mAh	
Χρόνος φόρτισης	90 λεπτό	
Καρφώματα ανά φόρτιση, μέγ	≈ 1500 καρφώματα	
Ταχύτητα, μέγιστη συνεχής	20 βολές/λεπτό	
Φορτιστής		
Είσοδος	100-240V 50-60Hz	
Έξοδος	8,4 V cc	
Ισχύς	1000 mA	

ΕΚΠΟΜΠΗ ΘΟΡΥΒΟΥ

A-σταθμισμένη στάθμη ηχητικής πίεσης $L_{pA}=79,3$ dB(A), αβεβαιότητα $K=3$ dB(A)

A-σταθμισμένη στάθμη ηχητικής πίεσης $L_{wA}=90,3$ dB(A), αβεβαιότητα $K=3$ dB(A)

Σύσταση για τον χρήστη να φοράει προστασία ακοής.

ΚΡΑΔΑΣΜΟΣ

Συνολική τιμή κραδασμών $=1,214$ m/s^2 , αβεβαιότητα $K=1,5$ m/s^2

Η δηλωμένη συνολική τιμή κραδασμών έχει μετρηθεί σύμφωνα με μια πρότυπη μέθοδο δοκιμής και μπορεί να χρησιμοποιηθεί για σύγκριση ενός εργαλείου με κάποιο άλλο.

Η δηλωμένη συνολική τιμή κραδασμών μπορεί επίσης να χρησιμοποιηθεί σε μια προκαταρκτική αξιολόγηση έκθεσης.

ΠΡΟΕΙΔΟΠΟΙΗΣΗ

Η εκπομπή κραδασμών κατά την πραγματική χρήση του ηλεκτρικού εργαλείου μπορεί να διαφέρει από τη δηλωμένη συνολική αξία ανάλογα με τον τρόπο που χρησιμοποιείται το



εργαλείο.

Χρειάζεται να προσδιοριστούν τα μέτρα ασφαλείας για την προστασία του χειριστή που βασίζονται σε μια εκτίμηση της έκθεσης στις πραγματικές συνθήκες χρήσης (λαμβάνοντας υπόψη όλα τα μέρη του κύκλου λειτουργίας, όπως οι χρόνοι όταν το εργαλείο είναι απενεργοποιημένο και όταν λειτουργεί σε αδράνεια εκτός από τον χρόνο ενεργοποίησης).

ΣΥΝΑΡΜΟΛΟΓΗΣΗ

ΟΡΙΣΜΟΙ (Εικόνα 1, 2 και 10)

- | | | |
|----------------------------------|-------------------------------|----------------------------------|
| A : Κομπι ρύθμισης ισχύος | B : Σκανδάλη | C : Πακέτο μπαταρίας |
| D : Κομπιά απασφάλισης | E : Δικλείδα ασφαλείας | F : Μάνταλο του γεμιστήρα |
| G : Ράγα | H : Γεμιστήρας | I : Πρίζα |
| J : Σημείο φόρτισης | K : Φορτιστής | L : Λυχνία LED |

ΑΦΑΙΡΕΣΗ ΚΑΙ ΣΥΝΔΕΣΗ ΤΗΣ ΜΠΑΤΑΡΙΑΣ

1. Για να αφαιρέσετε την μπαταρία (C), πατήστε τα κομπιά απασφάλισης (D) και σύρετε την μπαταρία έξω από το μηχανήμα (Εικόνα 3).
2. Για να συνδέσετε την μπαταρία, σύρετέ την προς την άλλη κατεύθυνση, μέχρι να ασφαλίσει ο σύνδεσμος (Εικόνα 4).

ΦΟΡΤΩΣΗ ΣΥΝΔΕΤΗΡΩΝ/ΚΑΡΦΙΩΝ ΣΤΟ ΓΕΜΗΣΤΗΡΑ

1. Πιέστε το μάνταλο του γεμιστήρα (F) για να το ξεκλειδώσετε από το σώμα του καρφωτικού.
2. Σύρετε τη ράγα (G) προς τα πίσω.
3. Εισάγετε σύρματα/καρφιά όπως φαίνεται στην εικόνα 8 και 9.
4. Κλείστε τη δεσμίδα, ωθώντας τη ράγα προς τα μπροστά, μέχρι να ασφαλίσει.

ΑΦΑΙΡΕΣΗ ΣΥΝΔΕΤΗΡΩΝ/ΚΑΡΦΙΩΝ ΑΠΟ ΤΟ ΓΕΜΗΣΤΗΡΑ

1. Πιέστε το μάνταλο του γεμιστήρα (F) για να το ξεκλειδώσετε από το σώμα του καρφωτικού.
2. Σύρετε τη ράγα (G) προς τα πίσω.
3. Αφαιρέστε τους συνδετήρες/καρφιά από τη δεσμίδα.
4. Κλείστε τη δεσμίδα.

ΛΕΙΤΟΥΡΓΙΑ

ΣΥΡΡΑΦΗ/ΚΑΡΦΩΜΑ

1. Βεβαιωθείτε ότι το εργαλείο είναι σε καλή κατάσταση λειτουργίας.
2. Περιστρέψτε το κομπι ρύθμισης ισχύος (A) για να προσαρμόσετε το βάθος διείσδυσης των συρραπτήρων/καρφιών στις ανάγκες σας (Εικόνα 5).
3. Πιέστε σταθερά την δικλείδα ασφαλείας (E) πάνω στο τεμάχιο εργασίας μέχρι να ωθηθεί σε μερικά χιλιοστά (Εικόνα 6).
4. Πιέστε σύντομα τη σκανδάλη (B) και μετά ελευθερώστε ξανά (Εικόνα 7).
5. Η σκανδάλη (B) είναι κλειδωμένη, εφόσον δεν πιέζετε το ζυγό ασφαλείας έναντι του τεμαχίου εργασίας, αποτρέποντας έτσι ακούσια λειτουργία.

ΟΔΗΓΙΕΣ ΛΕΙΤΟΥΡΓΙΑΣ ΤΟΥ ΦΟΡΤΙΣΤΗ

Μην χρησιμοποιείτε το εργαλείο κατά τη διαδικασία φόρτισης.

1. Αφαιρέστε την μπαταρία από το εργαλείο.
2. Συνδέστε το σημείο φόρτισης (J) του φορτιστή στην υποδοχή (I) της μπαταρίας (Εικόνα 10).
3. Συνδέστε το φορτιστή (K) στο κεντρικό ηλεκτρικό δίκτυο. → η ενδεικτική λυχνία LED (L) στο φορτιστή ανάβει κόκκινη κατά τη φόρτιση (Εικόνα 10).
4. Όταν η μπαταρία είναι πλήρως φορτισμένη, η ενδεικτική λυχνία LED (L) του φορτιστή γίνεται πράσινη (Εικόνα 10).
5. Αποσυνδέστε το βύσμα (J) από την πρίζα (I) και αποσυνδέστε το φορτιστή (K) από την πρίζα.
 - Φορτίστε μόνο σε θερμοκρασία περιβάλλοντος μεταξύ 10°C και 50°C.
 - Κατά τη διαδικασία φόρτισης ο φορτιστής μπορεί να θερμανθεί: αυτό είναι φυσιολογικό.
 - Μην αποθηκεύετε την μπαταρία σε σημεία όπου η θερμοκρασία μπορεί να υπερβαίνει τους 50 °C.

ΣΗΜΕΙΩΣΗ: Για καλύτερη απόδοση πιέστε το εργαλείο έναντι του τεμαχίου προς επεξεργασία.

ΣΗΜΕΙΩΣΗ: Σε περίπτωση που κάποιος συνδετήρας ή καρφή κολλήσει, διαβάστε την ενότητα συντήρησης. ΜΗΝ πυροδοτείτε ξανά το εργαλείο, προκειμένου να το αποσυμφορήσετε, καθώς αυτό μπορεί να το καταστρέψει.

ΣΗΜΕΙΩΣΗ: Κατά τη λειτουργία μπορεί να αισθανθείτε ότι το εργαλείο έχει θερμανθεί. Αυτό είναι φυσιολογικό, αλλά αν το εργαλείο αρχίζει να θερμαίνεται η χρήση θα διακοπεί μέχρι να κρυώσει.

ΣΗΜΕΙΩΣΗ: Το εργαλείο μονταρίσματος πρέπει να χρησιμοποιείται μόνο για τους προοριζόμενους σκοπούς. Το εργαλείο αυτό προορίζεται για μοντάρισμα ξύλου, χαρτονιού, μονωτικού υλικού, υφάσματος, ελασμάτων, δέρματος και παρόμοιων υλικών σε επιφάνειες από ξύλο ή υλικά παρόμοια με το ξύλο, για ιδιωτική μόνο χρήση.

ΣΗΜΕΙΩΣΗ: Χρησιμοποιήστε το εργαλείο μόνο με το ειδικά σχεδιασμένο πακέτο μπαταρίας.



ΣΥΝΤΗΡΗΣΗ

ΤΥΠΙΚΗ ΣΥΝΤΗΡΗΣΗ

1. Ελέγξτε όλες τις βίδες και σφίξτε, αν είναι απαραίτητο.
2. Διατηρήστε όλες τις σπές εξαιρισμού απαλλαγμένες από σκόνη και βρωμιά.
3. Αφαιρέστε το πακέτο μπαταρίας, πριν να καθαρίσετε το εργαλείο.
4. Καθαρίστε το εργαλείο με ένα στεγνό ή νοτισμένο πανί. ΠΟΤΕ μην χρησιμοποιείτε διαλύτη.
5. Διατηρήστε το κανάλι της δεσμίδας καθαρό.
6. ΜΗΝ λιπαίνετε ή γρασάρετε τα εξαρτήματα.
7. Βεβαιωθείτε ότι το εργαλείο μονταρίσματος δεν έχει βλάβες. Αντικαταστήστε ή επιδιορθώστε πριν από τη χρήση.



ΚΑΘΑΡΙΣΜΟΣ ΣΥΜΦΟΡΗΣΗΣ ΣΥΝΔΕΤΗΡΑ/ΚΑΡΦΙΟΥ

1. Πιέστε το μάνταλο του γεμιστήρα **F** για να το ξεκλειδώσετε από το σώμα του καρφωτικού.
2. Σύρτε τη ράγα **G** προς τα πίσω.
3. Αφαιρέστε τους χαλαρούς συνδετήρες/καρφιά από τη δεσμίδα.
4. Χρησιμοποιήστε μία καρφίτσα με αιχμηρό άκρο για να αφαιρέσετε το μπλοκαρισμένο σύρμα/καρφί

ΠΡΟΕΙΔΟΠΟΙΗΣΗ!

ΜΗΝ μετατρέπετε μέρη αυτού του εργαλείου μονταρίσματος ή μην συνδέετε ειδικά στηρίγματα. Αυτό μπορεί να έχει ως αποτέλεσμα προσωπικό τραυματισμό.

Αν το εργαλείο / ο φορτιστής υποστεί βλάβη, παρά την προσοχή που αποδόθηκε κατά τις διαδικασίες κατασκευής και ελέγχου, η επισκευή θα διεξαχθεί από ένα κέντρο για σέρβις μετά από την πώληση για εργαλεία Rapid.

ΠΕΡΙΒΑΛΛΟΝ

Ξεχωριστή συλλογή. Μην απορρίπτετε ηλεκτρικά εργαλεία στα οικιακά απορρίμματα! Σύμφωνα με την Ευρωπαϊκή Οδηγία 2012/19ΕΚ περί απόβλητου ηλεκτρικού και ηλεκτρονικού εξοπλισμού.

- Όταν το εργαλείο πρέπει να αντικατασταθεί ή η χρήση του δεν είναι άλλο αναγκαία, πρέπει να το προσκομίσετε σε ένα ξεχωριστό κέντρο συλλογής για ανακύκλωση.
- Μπαταρία: οι μπαταρίες είναι ανακυκλώσιμες.

Η μπαταρία μπορεί να επαναφορτίζεται πολλές φορές. Στο τέλος της ωφέλιμης διάρκειας ζωής εξαντλήστε πλήρως την μπαταρία, στη συνέχεια αφαιρέστε την από το εργαλείο και μεταφέρετέ την σε έναν τοπικό σταθμό ανακύκλωσης.

BTX530 / BTX140

Orijinal talimatların çevirisi

TR

İlgili AB direktiflerine uygundur



GENEL ELEKTRİKLİ ALETLER GÜVENLİK UYARILARI

UYARI!! Bu aletle birlikte verilen tüm güvenlik uyarılarını, talimatlarını, resimlerini ve teknik özellikleri okuyun. Aşağıda listelenen tüm talimatlara uyulmaması, elektrik çarpmasına, yangına ve / veya ciddi yaralanmalara neden olabilir.



İleride başvurmak için tüm uyarı ve talimatları saklayın.



Uyarılardaki “elektrikli alet” terimi, elektrikle çalışan (kablolu) elektrikli alet veya pille çalışan (kablesuz) elektrikli aleti kastetmektedir.

1) ÇALIŞMA ALANI GÜVENLİĞİ

- a) **Çalışma alanını temiz ve iyi aydınlatılmış tutun.** Dağınık tezgahlar ve karanlık bölgeler kazaya davetiye çıkarır.
- b) **Elektrikli aleti yanıcı sıvı, gaz veya toz bulunan yerler gibi patlayıcı ortamlarda kullanmayın.** Elektrikli aletler toz veya dumanları ateşleyebilen kıvılcımlar yaratır.
- c) **Elektrikli aleti kullanırken yakın çevredekileri, çocukları ve ziyaretçileri uzaklaştırın.** Dikkat dağılması kontrolü kaybetmenize neden olabilir.

2) ELEKTRİK GÜVENLİĞİ

- a) **Elektrikli alet fişleri prize uygun olmalıdır. Fişte kesinlikle değişiklik yapmayın. Adaptör fişlerini topraklanmış elektrikli aletlerle kullanmayın.** Değişiklik yapılmamış fişler ve uygun prizler elektrik çarpması riskini azaltacaktır.
- b) **Borular, radyatörler, kuzineler ve buzdolapları gibi topraklanmış yüzeylere vücudunuzu temas ettirmekten sakının.** Vücudunuz topraklandığında elektrik çarpması riski vardır.
- c) **Elektrikli aletleri yağmur veya ıslak koşullara maruz bırakmayın.** Elektrikli alet suya sokulduğunda elektrik çarpması riski artacaktır.
- d) **Kabloya zarar vermeyin. Kabloyu kesinlikle elektrikli aleti taşımak, çekmek veya fişten çekmek için kullanmayın. Kabloyu ısı, yağ, keskin kenarlar veya hareket eden parçalardan uzak tutun.** Hasarlı veya dolaşmış kablolar elektrik çarpması riskini artırır.

- e) **Elektrikli aletleri dış mekanlarda çalıştırırken, dış mekanda kullanmaya uygun bir uzatma kablosu kullanın.** Dış mekanda kullanıma uygun bir kablo kullanıldığında elektrik çarpması riski azalır.
- f) **Elektrikli aleti nemli ortamda çalıştırmaktan kaçınılamıyorsa, toprak arızası devre kesici korumalı besleme kullanın.** Toprak arızası devre kesici kullanılması elektrik çarpması riskini azaltır.

3) KİŞİSEL GÜVENLİK

- a) **Bir elektrikli aleti çalıştırırken uyanık olun, ne yaptığınızı izleyin ve sağduyulu olun. Yorgunken veya ilaç, alkol ya da tıbbi tedavi etkisi altındayken elektrikli alet kullanmayın.** Elektrikli aletleri kullanırken bir anlık dikkatsizlik ciddi yaralanmaya neden olabilir.
- b) **Kişisel koruyucu ekipman kullanın. Daima koruyucu gözlük takın.** Uygun koşullarda toz maskesi, kaymayan emniyet ayakkabısı, kask veya koruyucu kulaklık gibi koruyucu ekipman kullanılması yaralanmaları azaltır.
- c) **Yanlışlıkla çalıştırmayı önleyin. Güç kaynağına ve/veya pil paketine bağlamadan, yerden kaldırmadan veya aleti taşımadan önce anahtarın kapalı konumda olduğundan emin olun.** Elektrikli aletleri parmağınız anahtarda veya anahtarı açık durumda taşımak kazalara davetiye çıkarır.
- d) **Elektrikli aleti çalıştırmadan önce ayarlama anahtarı veya somun anahtarını çıkarın.** Elektrik aletinin dönen parçasına somun anahtarı veya anahtar takılı kaldığında yaralanmaya neden olabilir.
- e) **Uzak noktalara uzanmaya çalışmayın. Her zaman yere düzgün basın ve dengenizi koruyun.** Bu, elektrikli aleti beklenmeyen durumlarda daha iyi kontrol edebilmenizi sağlar.
- f) **Uygun giyinin. Bol giysiler giymeyin veya takı malzemesi takmayın. Saç, elbise ve eldivenlerinizi hareket eden parçalardan uzak tutun.** Bol elbise, mücevherat veya uzun saç hareket eden parçalara yakalanabilir.
- g) **Aygitlar toz atma veya toplama tesislerinin bağlantısı için verildiyse, bunların bağlı ve düzgün şekilde kullanıldığından emin olun.** Toz toplama kullanılması tozla ilgili tehlikeleri azaltabilir.

4) ELEKTRİKLİ ALET KULLANIMI VE BAKIMI

- a) **Elektrikli aleti zorlamayın. Uygulamanız için doğru elektrikli aleti kullanın.** Doğru elektrikli alet tasarlandığı şekilde işini daha iyi ve güvenli yapacaktır.
- b) **Anahtar açık kapatmıyorsa, elektrikli aleti kullanmayın.** Anahtarla kontrol edilemeyen elektrikli aletler tehlikelidir ve onarılması gerekir.
- c) **Ayarlama, aksesuar değiştirme veya elektrikli aletleri depolamadan önce fişi elektrik kaynağından ve/veya pil paketini elektrikli aletten ayırın.** Bu tür önleyici güvenlik önlemleri elektrikli aletin yanlışlıkla çalıştırılması riskini azaltır.
- d) **Kullanılmayan elektrikli aletleri çocukların erişemeyeceği bir yerde depolayın ve elektrikli aleti ve bu elektrikli aleti çalıştırma yönergelerini bilmeyen kişilerin kullanımına izin vermeyin.** Elektrikli aletler eğitimsiz kullanıcıların elinde tehlikelidir.
- e) **Elektrikli aletleri koruyun. Hareketli parçalarda yanlış hizalama veya çıkıntı yapma, parçalarda kırılma veya elektrikli aletin çalışmasını etkileyebilecek başka bir durum olup olmadığını kontrol edin. Hasar varsa, elektrik aleti kullanmadan önce tamir ettirin.** Birçok kaza kötü bakım yapılmış elektrikli aletlerden kaynaklanmaktadır.
- f) **Kesici aletleri keskin ve temiz tutun.** Doğru bakımı yapılmış keskin kesici kenarlara sahip kesici aletlerin sarma olasılığı azdır ve daha kolay kullanılır.
- g) **Elektrikli aleti, aksesuarları ve alet uçlarını, vb.ni çalışma ko-**

şulları ve yapılacak işi dikkate alarak bu yönergelere göre kullanın. Elektrikli aletin tasarlanma amacı dışında kullanılması tehlikeli durumlara neden olabilir.

h) Kolları ve kavrama yüzeylerini kuru, temiz ve yağdan arınmış olarak tutun. Kaygan kollar ve kavrama yüzeyleri, beklenmeyen durumlarda aletin güvenli bir şekilde kullanılmasına ve kontrol edilmesine izin vermez.

5) AKÜLÜ ALETLERİN ÖZENLİ BAKIMI VE KULLANIMI

a) Aküyü sadece üreticinin tavsiye ettiği şarj cihazı ile şarj edin.

Bir akünün şarjına uygun olarak üretilmiş şarj cihazı başka bir akünün şarjı için kullanılırsa yangın tehlikesi ortaya çıkar.

b) Sadece ilgili elektrikli el aleti için öngörülen aküleri kullanın.

Başka akülerin kullanımı yaralanmalara ve yangınlara neden olabilir.

c) Pil kullanılmıyorken, iki kutup arasında bağlantı yapabilecekleri için kağıt ataşı, madeni para, anahtar, çivi, vida veya benzeri küçük metal cisimleri pilden uzak tutun. Akü kontakları arasındaki bir kısa devre yanmalara veya yangınlara neden olabilir.

d) Yanlış kullanım durumunda aküden sıvı dışarı sızabilir. Bu sıvı ile temasa gelmeyin. Yanlışlıkla temasa gelerseniz su ile iyice yıkayın. Eğer sıvı gözlerinize gelecek olursa hemen bir hekime başvurun. Dışarı sızan akü sıvısı cilt tahrişlerine ve yanmalara neden olabilir.

e) Pil takımı hasar görmüş veya değiştirilmiş alet kullanmayın.

Hasar görmüş veya değiştirilmiş piller, yangın, patlama veya yaralanma tehlikesiyle sonuçlanabilecek öngörülemeyen davranışlar gösterebilir.

f) Pili veya aleti ateşe veya aşırı sıcaklığa maruz bırakmayın.

Ateş veya 130 ° C / 265 ° F üzerindeki sıcaklıklara maruz kalma patlamaya neden olabilir.

g) Tüm şarj talimatlarını takip edin ve pil takımını veya aleti talimatlarda belirtilen sıcaklık aralığının dışında şarj etmeyin.

Uygun olmayan şekilde veya belirtilen aralığın dışındaki sıcaklıklarda şarj edilmesi, aküye zarar verebilir ve yangın riskini artırabilir.

6) SERVİS

a) Elektrikli aletinizi yalnızca eşdeğer yedek parçalar kullanarak kalifiye bir onarım personeline bakım yaptırın. Bu, elektrikli aletin güvenli şekilde bakımının yapılmasını sağlar.

b) Hasar görmüş aküleri asla tamir etmeye çalışmayın. Akü paketlerinin servisi sadece üretici veya yetkili servis sağlayıcılar tarafından yapılmalıdır.

ZIMBA GÜVENLİK UYARILARI

- **Alette her zaman zımba teli bulunduğunu farz edin.** Zımba tabancasının dikkatsiz bir şekilde tutulması beklenmedik bir şekilde zımba teli fırlatılması ve yaralanma ile sonuçlanabilir.
- **Aleti kendinize veya yakındaki başka birine karşı yöneltmeyin.** Beklenmedik bir şekilde tetikleme zımba telini boşaltacak ve yaralanmaya neden olacaktır.
- **Aleti iş parçasına sağlam bir şekilde yerleşmedikçe çalıştırmayın.** Alet, iş parçası ile temas etmezse, zımba teli hedefinizden uzağa sekebilir.
- **Zımba teli aletin içinde sıkıştığında, güç kaynağını çıkarın.** Sıkışan zımba teli çıkarılırken, pil takılıysa zımba teli kazayla çalıştırılabilir.
- **Sıkışan zımba telini çıkarırken dikkatli olun.** Mekanizma baskı altında kalabilir ve zımba teli sıkışıklığı gidermeye çalışırken güçlü bir şekilde boşalabilir.
- **Elektrik kablolarını yerlerine tutturmak için bu zımba tabancasını kullanmayın.** Elektrik kablosu tesisatı için tasarlanmamıştır,

elektrik kablosu izolasyonuna hasar verebilir ve böyle elektrik çarpması veya yangın tehlikesine neden olabilir.

TECHNICAL SPECIFICATION

Pilli zimba tabancası, model numarası	BTX530	BTX140
Zimba Tipi	Rapid 53	Rapid 140
Zimba Teli uzunluğu	6-14 mm	6-14 mm
Magazinlik kapasitesi (zimba teli) , maksimum	112 adet	66 adet
Başsız Çivi Tipi, uzunluk	Rapid T8, 15-30 mm	
Magazinlik kapasitesi(çivi) , maksimum	66 adet	
Cihazın Ölçüleri (Akü dahil) Y x G x B	195 x 60 x 220 mm	
Alet Ağırlığı	1,360 kg	
Pil		
Tip, Voltaj	Li-Ion Pil, 7,2 V	
Kapasite	1300 mAh	
Şarj süresi	90 dak	
Her şarjda atım,maksimum	≈ 1500 atım	
Hız , maksimum seri çalışma esnasında	20 atım/dak	
Şarj cihazı		
Giriş	100-240V 50-60Hz	
Çıkış	8,4 V cc	
Güç	1.000 mA	

GÜRÜLTÜ EMİSYONU

A-ağırlıklı ses basınç seviyesi $L_pA=79,3$ dB(A), belirsiz $K=3$ dB(A)
A-ağırlık ses gücü seviyesi $L_wA=90,3$ dB(A), belirsizlik $K=3$ dB(A)*
Operatöre / Kullanıcıya işitme koruması takması önerisi.

TITREŞİM

Titreşim toplam değeri= $1,214$ m/s², belirsizlik $K=1,5$ m/s²

Beyan edilen titreşim değeri standart test yöntemine göre ölçülmüştür ve bir aleti başka biriyle karşılaştırmak için kullanılabilir.

Beyan edilen titreşim değeri ayrıca başlangıç maruz kalma değerlendirmesinde de kullanılabilir.

UYARI

Elektrikli aletin gerçek kullanım sırasında vibrasyon emisyonu aletin kullanım şekline bağlı olarak beyan edilen toplam değerden farklı olabilir.

Filili kullanım koşullarında operatörü korumak için gerekli güvenlik önlemlerinin belirlenmesi gerekmektedir (çalışma süresinin, tüm parçalarının aşınmasının hesaba katılması, örneğin cihazın kapatıldığı ve çalışmadığı zamanlarda tetikleme zamanına ek olarak).



MONTAJ

TANIMLAR (Şekil 1,2 ve 10)

- | | | |
|-------------------------------|-------------------------------|---------------------------|
| A : Güç ayan düğmesi | B : Tetik | C : Pil |
| D : Kilidini düğmeleri | E : Güvenlik kelepçesi | F : Kartuş Mandalı |
| G : Ray | H : Kartuş | I : Soket |
| J : Noktası şarj | K : Şarj cihazı | L : LED |

PİLİN ÇIKARILMASI VE BAĞLANTILARI

- Pili **C** çıkarmak için, kilidi açma düğmelerine **D** basın ve pili makineden dışarıya kaydırarak çekin (Şekil 3).
- Pili bağlamak için bağlandığını gösteren tıklama sesi duyulana kadar diğer yöne kaydırarak itin (Şekil 4).

ZİMBALARI / ÇİVİLERİ KARTUŞA YÜKLEME

- Tabancanın gövdesindeki yuvayı açmak için magazin mandalına **F** basın.
- Rayı **G** geriye kaydırın.
- Şekil 8 ve 9'da gösterildiği gibi zimba telini / çivileri yerleştirin.
- Rayı kilitlemeye kadar öne doğru iterek kartuşu kapatın.

ZİMBALARI/ ÇİVİLERİ KARTUŞTAN ÇIKARMA

- Tabancanın gövdesindeki yuvayı açmak için magazin mandalına **F** basın.
- Rayı **G** geriye kaydırın.
- Zimbaları/çivileri kartuştan çıkartın.
- Kartuşu kapatın.

ÇALIŞTIRMA

ZİMBALAMA / ÇİVİ ÇAKMA

- Aletin çalışır durumda olduğundan emin olun.
- Raftıyelerin/başsız çivilerin gireceği derinliği ihtiyacınıza göre ayarlamak için güç ayan düğmesini **A** çevirin (Şekil 5).
- Güvenlik manşonunu **E** iş yapacak yüzeye birkaç milimetre kalana kadar sıkıca bastırın (Şekil 6).
- Kısaca tetiğe **B** basıp bırakın (Şekil 7).
- Tetik **B** siz emniyet çatalını iş parçasına bastırmadığınız sürece kilitli kalacaktır. Bu, çalışma esnasında kaza meydana gelmesini önler.

ŞARJ CİHAZINI CALIŞTIRMA TALIMATLARI

Şarj esnasında aleti kullanmayın.

1. Pili araçtan çıkarın.
2. Şarj cihazının şarj noktasını **1** pil çıkarma yuvasına **1** bağlayın (Şekil 10).
3. Şarj cihazını **K** elektrik şebekesine bağlayın. → Şarj esnasında şarj cihazının üzerindeki LED **L** kırmızı yanacaktır (Şekil 10).
4. Pil tamamen şarj olduğunda, LED **L** yeşile döner (Şekil 10).
5. Fişi **1** yuvadan **1** çıkarın ve şarj cihazının **K** elektrik şebekesiyle bağlantısını kesin.
 - Ortam sıcaklığı 10°C ila 50°C olan yerlerde şarj edin.
 - Şarj esnasında şarj cihazı ısınabilir: Bu normaldir.
 - Pili sıcaklığın 50 °C'yi aşabileceği yerlerde saklamayın.

NOT: Daha iyi performans için aleti iş yapılacak yüzeye doğru bastırın.

NOT: Zimba veya çivi sıkıştığında, bakım bölümünü okuyun. Alete zarar verebileceğinden dolayı, sıkışmayı gidermek için aleti yeniden ATEŞLEMİYİN.

NOT: Çalıştırma sırasında, alet ısınabilir. Bu normaldir, ancak alet kullanırken çok ısınmaya başlarsa alet soğuyuncaya kadar kullanmayı bırakın.

NOT: Zimba tabancası yalnızca tasarlandığı amaçlar için kullanılmalıdır. Bu alet, tahta, mukavva, izolasyon malzemesi, kumaş, folyo, deri ve benzeri malzemelerin tahta veya tahta benzerine zımbalanması için sadece özel kullanım amacıyla tasarlanmıştır.

NOT: Aleti sadece özel olarak cihaz için yapılmış pil ile kullanın.

BAKIM

STANDART BAKIM

1. Gerekirse, tüm vidaları kontrol edip sıkıştırın.
2. Tüm havalandırmalarda toz ve kir olmadığından emin olun.
3. Aleti temizlemeden önce pili çıkarın.
4. Aleti kuru veya nemli bir bezle temizleyin. KESİNLİKLE solvent kullanmayın.
5. Kartuş kanalını temiz tutun.
6. Parçaları YAĞLAMAYIN veya GRESLEMİYİN.
7. Zimba tabancasının hasar görmediğinden emin olun. Kullanmadan önce değiştirin veya onanın.

SIKIŞMIŞ ZIMBAYI / ÇİVİYİ TEMİZLEME

1. Tabancanın gövdesindeki yuvayı açmak için magazin mandalına **F** basın.
2. Rayı **G** geriye kaydırın.
3. Gevşek zımbaları / çivileri kartuştan çıkarın
4. Sıkışan zimba telini / çiviyi çıkarmak için keskin uçlu bir pim kullanın.

UYARI!!

Bu zimba tabancasındaki parçaları DEĞİŞTİRMEYİN veya özel tesisatlar TAKMAYIN. Bu, yaralanmaya neden olabilir.

Üretim ve test işlemlerinde gösterilen özene rağmen alet/şarj aleti bozulursa, onarım bir Rapid aletleri satış sonrası servis merkezi tarafından yapılmalıdır.



ÇEVRE

Gruba Göre Atma. Elektrikli araçları evsel atıkların içine atmayın! Elektrikli ve elektronik ekipman atıklarını düzenleyen 2012/19/EU no'lu Avrupa Direktifi'ne göre.

- Aletin değiştirilmesi gerekiyor ya da daha fazla kullanılmayacaksa alet, geri dönüşüm için gruba göre atık merkezine götürülmelidir.
- Pil: Piller geri dönüştürülebilir.
 - Piller: çok kez şarj edilebilir. Kullanım ömürlerinin sonuna gelindiğinde, pilleri boşalınca kadar kullanıp araçtan çıkarın ve bir yerel geri dönüşüm merkezine götürün.



BTX530 / BTX140

Az eredeti utasítások fordítása



Minden vonatkozó uniós irányelvnek megfelel



SZERSZÁMGÉPEKRE VONATKOZÓ ÁLTALÁNOS BIZTONSÁGI FIGYELMEZTETÉSEK

FIGYELEM! Olvasson el ezen szerszámgéppel kapcsolatos minden biztonsági figyelmeztetést, utasítást, ábrát és műszaki leírást. Az alábbiakban felsorolt utasítások be nem tartása áramütéshez, tűzhöz és/vagy súlyos sérüléshez vezethet.



Az utasításokat és figyelmeztetéseket gondosan őrizze meg.

A figyelmeztetéseken szereplő „szerszámgép” kifejezés az Ön

elektromos hálózatról (vezetékes), illetve akkumulátorral (vezeték nélküli) működtetett szerszámgépre utal.

1) MUNKATERÜLET-BIZTONSÁG

- a) **A munkahely legyen tiszta és jó megvilágítású.** A rendetlen munkapadok és sötét helyek potenciális balesetforrások.
- b) **A szerszámgépet robbanásveszélyes légkör esetén, például tűzveszélyes folyadékok, gázok vagy porok jelenlétében ne használja.** A szerszámgépek működése során keletkező szikrák meggyújthatják a port vagy a füstöt.
- c) **A közelben lévő személyeket, gyermekeket és látogatókat tartsa távol, amíg a szerszámgépet üzemelteti.** Ha elterelik a figyelmét, az a szerszámgép feletti uralma elvesztését eredményezheti.

2) ELEKTROMOS BIZTONSÁG

- a) **A szerszámgép dugóinak egyezniük kell az elektromos hálózati aljzat típusával. Soha ne módosítsa semmilyen módon a dugót. Ne használjon csatlakozóadaptereket földelt szerszámgépekhez.** Az eredeti (értsd: nem módosított) dugók és az egyező típusú aljzatok csökkentik az elektromos áramütés veszélyét.
- b) **Kerülje, hogy teste földelt felületekkel (pl. csővezetékekkel, radiátorokkal, tűzhelyekkel és hűtőszekrényekkel) érintkezzen.** Ha testét földeli, akkor megnő az elektromos áramütés veszélye.
- c) **A szerszámgépeket óvja az esőtől és a nedves körülményektől.** A szerszámgép belsejébe jutó víz növeli az elektromos áramütés veszélyét.
- d) **A kábelt mindig rendeltetésszerűen használja. A kábelt ne használja a szerszámgép cipelésére, húzására vagy az elektromos hálózatról történő leválasztására. A kábelt tartsa távol hőtől, olajtól, valamint éles vagy mozgó tárgyaktól. A sérült vagy megtekeredett kábelek növelik az elektromos áramütés veszélyét.**
- e) **Ha a szerszámgépet kültéren szeretné használni, akkor válasszon kültéri használatra szánt hosszabbító kábelt.** A kültéri használatra szánt hosszabbító kábel használata csökkenti az elektromos áramütés veszélyét.
- f) **Ha a szerszámgép nyirkos helyen történő használata elkerülhetetlen, akkor használjon hibaáram-védőkapcsolóval védett tápellátást.** A hibaáram-védőkapcsoló használata csökkenti az elektromos áramütés veszélyét.

3) SZEMÉLYI BIZTONSÁG

- a) **Mindig maradjon éber, figyeljen a mozdulataira és üzemeltesse értelemszerűen a szerszámgépet. Ne használjon szerszámgépet, ha fáradt, illetve kábítószert, alkohol vagy bármilyen gyógyszer hatása alatt áll.** A szerszámgép üzemeltetése közben egyetlen pillanatnyi figyelemkiesés is súlyos személyi sérülést eredményezhet.
- b) **Használjon személyi védőfelszerelést. Mindig viseljen védőszemüveget.** A megfelelő körülményekhez használt védőfelszerelések (pl. pormaszk, csúszásgátló biztonsági lábbeli, keménysisak és fülvédelem) csökkentik a személyi sérülések kockázatát.
- c) **Gondoskodjon a véletlenszerű bekapcsolás megelőzéséről. Az elektromos hálózathoz történő csatlakoztatás, az akkumulátor behelyezése, illetve a szerszámgép felvétele vagy hordozása előtt győződjön meg róla, hogy a**

szerszámgép kapcsolója „KI” állásban van. A szerszámgépek hordozása úgy, hogy az ujj a kapcsolón van, illetve a bekapcsolt helyzetű szerszámgépek feszültség alá helyezése potenciális veszélyforrás lehet.

- d) **A szerszámgép bekapcsolása előtt távolítsa el a beállítókulcsokat.** A szerszámgép forgórészeiről le nem választott kulcs személyi sérülést eredményezhet.
- e) **Munka közben nem szabad, hogy nyújtóznia kelljen. Mindig ügyeljen, hogy stabilan álljon, ne veszítse el egyensúlyát.** Így jobban uralható a szerszámgép váratlan helyzetekben.
- f) **Megfelelő ruházatot viseljen. Ne viseljen laza ruhát, illetve ékszereket. Haját, ruháit és kesztyűit tartsa távol a mozgó alkatrészekről.** A mozgó alkatrészek becsíphetik a laza ruhákat, ékszereket vagy a hosszú haját.
- g) **Ha rendelkezésre állnak porszivó és -gyűjtő berendezések, akkor gondoskodjon ezek megfelelő csatlakoztatásáról és használatáról.** A porgyűjtő berendezések használatával csökkenthetők a porral kapcsolatos veszélyek.
- h) **Ne hagyja, hogy a gyakran használt eszközök révén szerzett jártassága miatt elbízza magát, és ne hagyja figyelmen kívül az eszközre vonatkozó biztonsági alapelveket.** Egy gondatlan cselekedet súlyos sérüléshez vezethet a másodperc töredéke alatt.

4) A SZERSZÁMGÉP HASZNÁLATA ÉS KARBANTARTÁSA

- a) **A szerszámgéppel soha ne végezzen erőltetett mozdulatokat. Mindig az alkalmazáshoz illő szerszámgépet használjon.** A megfelelő szerszámgép hatékonyabban és biztonságosabban végzi el a munkát a tervezett, rendeltetésszerű teljesítménnyel.
- b) **Ne használja a szerszámgépet, ha azt nem lehet ki- és bekapcsolni a kapcsolóval.** Azok a szerszámgépek, amelyeket a kapcsolóval nem lehet vezérelni, veszélyesek és javításra szorulnak.
- c) **Beállítások elvégzése, tartozékok cseréje vagy a szerszámgépek tárolása előtt válassza le a dugót az elektromos hálózatról és/vagy vegye ki az akkumulátort a szerszámgépéből.** Ezekkel a biztonsági óvintézkedésekkel csökkenthető a szerszámgép véletlenszerű beindításának a veszélye.
- d) **A nem használt szerszámgépeket gyermekektől elzárva tárolja, illetve ne engedje, hogy a szerszámgépet vagy a jelen dokumentumban található utasításokat nem ismerő személyek üzemeltessék a szerszámgépet.** A szerszámgépek veszélyforrássá válhatnak nem szakképzett felhasználók kezében.
- e) **Gondoskodjon a szerszámgépek és tartozékok karbantartásáról. Ellenőrizze a szerszámgépet a mozgó alkatrészek pontatlan illesztésére vagy berágódására, az alkatrészek törésére vagy a szerszámgép üzemképességét befolyásoló bármilyen egyéb körülményre. Ha a szerszámgép megsérült, akkor használat előtt javíttassa meg.** Sok baleset a szerszámgépek nem megfelelő karbantartásából ered.
- f) **A vágószerszámokat mindig tartsa tisztán és élesen.** A megfelelően karbantartott (értsd: mindig éles) vágószerszámoknál kevésbé valószínű a berágódás, illetve azokat könnyebb irányítani.
- g) **A szerszámgép, valamint annak tartozékai (pl. bitek) használata során mindig tartsa be ezeket az utasításokat, valamint vegye figyelembe a munkakörülményeket és az elvégzendő munka jellegét.** A szerszámgépek nem rendeltetésszerű használata veszélyes helyzetek kialakulásához vezethet.
- h) **Tartsa a markolatokat és fogófelületeket szárazon, tisztán és olajtól, illetve zsírtól mentes állapotban.** A csúszós markolatok

és fogófelületek nem teszik lehetővé a szerszám biztonságos kezelését és ellenőrzés alatt tartását váratlan helyzetekben.

5) AKKUMULÁTOROS SZERSZÁM HASZNÁLATA ÉS ÁPOLÁSA

- a) **Csak a gyártó által megadott töltőberendezéssel tölts fel újra.** Olyan töltőberendezés, amely csak egy adott típusú akkumulátor töltésére alkalmas, tüzet okozhat, ha másik akkumulátor töltésére használják.
- b) **A szerszámgepeket csak a kimondottan meghatározott akkumulátorral használja.** Más akkumulátor használata sérülés- és tűzveszélyes lehet.
- c) **Ha az akkumulátort nem használja, akkor azt tartsa távol a többi fémes tárgytól, pl. a papírcapcsoktól, az érméktől, a kulcsoktól, a csavaroktól és a többi fémtárgytól, amelyek az érintkezőit rövidre zárhatnak.** Ha rövidre zárja az akkumulátorsarukat, az égési sérüléseket vagy tüzet okozhat.
- d) **Tűzolt használata során folyadék lövellhet ki az akkumulátorból; ne érintkezzen vele.** Ha véletlenül mégis érintkezne vele, öblítse le vízzel. Ha a folyadék a szemébe kerül, ezenkívül forduljon orvoshoz. Az akkumulátorból kilövellt folyadék irritációt vagy égési sérülést okozhat.
- e) **Ne használja az akkumulátort vagy a szerszámot, ha az sérült vagy módosítva van.** A sérült vagy módosított akkumulátorok kiszámíthatatlanul működhetnek és tüzet, robbanást vagy sérülést okozhatnak.
- f) **Ne dobja az akkumulátort vagy az eszközt tűzbe és ne tegye ki őket nagyon magas hőmérsékletnek.** A tűzbe dobás vagy a 130 °C/265 °F fölötti hőmérséklet robbanást okozhat.
- g) **Tartsa be a töltésre vonatkozó utasításokat és ne tölts az akkumulátort vagy szerszámot az utasításokban megadott hőmérséklet-tartományon kívül.** A helytelen töltés vagy a megadott hőmérséklet-tartományon kívüli töltés az akkumulátor károsodásához vezethet és növeli a tűz kockázatát.

6) JAVÍTÁS

- a) **A szerszám gép javítását bizza megfelelően képzett szakemberre, és a javításhoz csak típusazonos cserealkatrészeket használjon.** Ezzel biztosítható a szerszám gép folyamatos és biztonságos üzemeltetése.
- b) **Soha ne javítson meg sérült akkumulátort.** Az akkumulátorok javítását csak a gyártó vagy arra jogosult javítási szolgáltató végezze.

TŰZŐGÉP BIZTONSÁGI FIGYELMEZTETÉSEK

- **Minden esetben úgy használja a szerszámot, mintha rögzítőket is tartalmazna.** A tűzógép óvatlan használata a rögzítők váratlan és balesetveszélyes kilövéséhez vezethet.
- **A szerszámot soha ne fordítsa önmaga vagy a közelben tartózkodó személyek felé.** A tűzógép nem várt működtetése során kilövellt rögzítők személyi sérülést okozhatnak.
- **Ne működtesse a szerszámot, amíg azt erősen és stabilan és a munkadarabra nem igazította.** Ha a szerszám nem érintkezik a munkadarabbal, akkor előfordulhat, hogy a rögzítő nem a célhelyre kerül a belövés során.
- **A szerszámba ragadt rögzítő eltávolítása előtt válassza le a szerszámot az elektromos hálózatról.** A beragadt rögzítő eltávolítása során a tűzógép véletlenszerűen bekapcsolódhat (ha csatlakoztatva van az elektromos hálózathoz).
- **Járjon el körültekintéssel a beragadt rögzítő eltávolítása során.** A szerkezet feszültség alatt állhat, így a rögzítő

kényszerítetten kirepülhet a szerszámból az elakadás megszüntetése során.

- **Ezt a tűzőgépet ne használja elektromos kábelek rögzítéséhez.** Nem elektromos kábelszerelvények rögzítésére tervezték, ezért megrongálhatja azok szigetelését, ami tűz vagy elektromos áramütés veszélyét hordozza magában.

MŰSZAKI ADATOK

Akkumulátoros tűzőgép, modellszám	BTX530	BTX140
Kapocs típusa	Rapid 53	Rapid 140
Kapocs hossza	6–14 mm	6–14 mm
Kapocstár kapacitása, max.	112 darab	66 darab
Rögzítőszeg típusa és hossza	Rapid T8, 15–30 mm	
Szegtár kapacitása, max.	66 darab	
Szerszám méretei (akkumulátorral) Ma × Szé × Ho	195 × 60 × 220 mm	
Szerszám súlya	1,360 kg	
Akkumulátor		
Típus, elektromos feszültség	Li-Ion, 7,2 V	
Kapacitás	1300 mAh	
Töltési idő	90 perc	
Belövés töltésenként, max.	≈ 1500 belövés	
Sebesség, folyamatos maximum	20 belövés/perc	
Töltő		
Bemenet	100–240V, 50–60Hz	
Kimenet	8,4 V egyenáram	
Teljesítmény	1000 mA	

ZAJKIBOCSÁTÁS

A-súlyozott hangteljesítményszint: LpA = 79,3 dB(A), bizonytalanság: K = 3 dB(A)

A-súlyozott hangteljesítményszint: LwA = 90,3 dB(A), bizonytalanság: K = 3 dB(A)

Javasoljuk, hogy a kezelő viseljen hallásvédő eszközt.

REZGÉS

Teljes rezgésérték = 1,214 m/s², bizonytalanság: K = 1,5 m/s²

A közzétett teljes rezgésértéket a szabványos vizsgálati módszerrel mérték, így az felhasználható két szerszám összehasonlításához.

A közzétett teljes rezgésérték felhasználható előzetes expozícióértékeléshez is.

FIGYELEM

A szerszámgép tényleges használata során tapasztalt rezgésterhelés eltérhet a közzétett teljes értéktől a szerszám felhasználási módjától függően.

A kezelő védelme érdekében olyan biztonsági intézkedéseket kell meghatározni, amelyek az aktuális használati körülmények mellett a veszélyeztetettség megítélésén alapulnak (figyelembe veszik a működési ciklus minden részét, például amikor a szerszámot kikapcsolják, és amikor az üresjárat után ismét működésbe hozzák).



ÖSSZESZERELÉS

1., 2. és 10. ÁBRA MAGYARÁZATA

A : Ütőerő beállító gomb

B : Ravasz

C : Akkumulátor

D : Kioldó gombok

E : Biztonsági rögzítő

F : Tárkioldó

G : Sint

H : Tár

I : Aljzatba

J : Feltöltési pont

K : Töltőt

L : LED

AKKUMULÁTOR ELTÁVOLÍTÁSA ÉS CSATLAKOZTATÁSA

1. Az akkumulátor **C** kivevelekor a kioldó gombok **D** megnyomásával csúsztassa ki az akkumulátort a gépből (3. ábra).

2. Az akkumulátor csatlakoztatása: csúsztassa ellenkező irányba, amíg helyére pattan (4. ábra).

KAPCSOK/RÖGZÍTŐSZEGEK BETÖLTÉSE A TÁRBA

1. Nyomja meg a tárkioldót **F**, hogy kivegye azt a tűzőgép belsejéből.

2. Csúsztassa a sint **G** hátrafelé.

3. Helyezze be a kapocs/szeg tömböt a 8. és 9. ábrán látható módon.

4. A sint rögzülésig előre csúsztatva zárja be a tárat.

KAPCSOK/RÖGZÍTŐSZEGEK ELTÁVOLÍTÁSA A TÁRBÓL

1. Nyomja meg a tárkioldót **F**, hogy kivegye azt a tűzőgép belsejéből.

2. Csúsztassa a sint **G** hátrafelé.

3. Távolítsa el a kapcsokat/rögzítőszegeket a tárból.

4. Zárja be a tárat.

HASZNÁLAT

TŰZÉS/SZEGEZÉS

1. Ellenőrizze a szerszám megfelelő üzemi állapotát.
2. Az útőerő beállító gomb **A** elforgatásával a kapcsok/szegek behatolási mélységét állíthatja be (5. ábra).
3. Határozottan nyomja a biztonsági rögzítőt **E** a munkadarabnak, néhány milliméter mélyre (6. ábra).
4. Röviden nyomja meg a ravaszt **B**, majd engedje el ismét (7. ábra).
4. véletlen működtetést megakadályozza, hogy a ravasz **B** mindaddig reteszelve van, amíg a biztonsági rögzítőt nem nyomja neki a munkadarabnak.

A TÖLTŐ KEZELÉSI ÚTMUTATÓJA

Ne használja a szerszámot töltés közben.

1. Vegye ki az akkumulátort a szerszámból.
 2. Csatlakoztassa a töltő töltési pontját **J** az akkumulátor aljzatba **I** (10. ábra).
 3. Csatlakoztassa a töltőt **K** az elektromos hálózatra. → A LED **L** a töltőn pirosan fog világitani töltés közben (10. ábra).
 4. A LED **L** a töltőn zöld színű lesz, amikor az akkumulátor teljesen feltöltött (10. ábra).
 5. Húzza ki a csatlakozódugót **J** az aljzatról **I**, és válassza le a töltőt **K** a hálózatról.
- A töltést csak 10 °C és 50 °C közötti hőmérsékleten végezze.
 - Töltés közben a töltő felmelegedhet: ez normális.
 - Ne tárolja az akkumulátort olyan helyiségben, ahol a hőmérséklet meghaladhatja az 50 °C-ot.

MEGJEGYZÉS: A jobb teljesítmény érdekében nyomja a szerszámot a munkadarabnak.

MEGJEGYZÉS: Ha a kapocs vagy a rögzítőszeg beragad, akkor olvassa el a karbantartási részt. NE próbálja újra működtetni a szerszámot a beragadt kapocs/rögzítőszeg eltávolításához, mert ezzel megromíthatja a szerszámot.

MEGJEGYZÉS: A szerszám használat közben felmelegedhet. Ez normális jelenség. Ha azonban a szerszám elkezd túlforrósodni, akkor hagyja abba a munkavégzést, és hagyja lehűlni a szerszámot.

MEGJEGYZÉS: A tűzőgépet kizárólag rendeltetésszerűen szabad használni. A szerszám rendeltetése alapján faanyagok, rostlemezek, szigetelőanyagok, műanyagok, fóliák, bőrök és hasonló anyagok felületére vagy más, a fához hasonló anyagok felületére való feltűzésére használható személyes (nem ipari) célokra.

MEGJEGYZÉS: A szerszámot kizárólag csak a szerszámhoz tervezett akkumulátorral használja.

KARBANTARTÁS

SZABVÁNYOS KARBANTARTÁSI ELJÁRÁS

1. Vizsgálja meg az összes csavart, és szükség szerint húzza meg őket.
2. Ügyeljen a szellőzőnyílások por- és koszmentességére.
3. A szerszámból vegye ki az akkumulátort a szerszám tisztítása előtt.
4. Tisztítsa meg a szerszámot egy száraz vagy nedves törölkendővel. SOHA ne használjon oldószert.
5. A tárcsatornát tartsa tisztán.
6. NE olajozza és zsírozza meg az alkatrészeket.
7. Győződjön meg róla, hogy a tűzőgép nem sérült meg. Használat előtt cserélje ki vagy javítsa meg.

BERAGADT KAPOCS/RÖGZÍTŐSZEG ELTÁVOLÍTÁSA

1. Nyomja meg a tárklioldót **F**, hogy kivége az tűzőgép belsejéből.
2. Csúsztassa a sint **G** hátrafelé.
3. Vegye ki a meglazult kapcsokat/rögzítőszegeket a tárból.
4. Távolítsa el a beragadt kapcsokat/rögzítőszegeket egy hegyes tűvel.

FIGYELEM!!

NE módosítsa a tűzőgép alkatrészeit, és ahhoz ne csatlakoztasson speciális szerelvényeket. Ellenkező esetben személyi sérülés történhet.

Ha a szerszám/töltő a megfelelő gyártási gondosság és tesztelési eljárás ellenére nem működne, akkor azt kizárólag a Rapid szerszám hivatalos márkaszervizében javíttassa.



KÖRNYEZET

Szelektív hulladékgyűjtés. Ne dobja az elektromos eszközöket a háztartási hulladékba! Az elektromos és elektronikus berendezések hulladékairól szóló 2012/19/EK európai irányelv szerint.

- A szerszám cseréjekor (vagy ha már nincs szükség további használatára) azt újrahasznosítás céljára külön begyűjtőhelyen kell leadni.
- Akkumulátor: az akkumulátorok újrahasznosíthatók.



Az akkumulátor sokszor újratölthető. Élettartamának végén az akkumulátort teljesen merítse le, majd a szerszámból kivéve vigye a helyi szelektív hulladékgyűjtő udvarba.

Conform cu directivele UE relevante

**AVERTISMENTE GENERALE DE SIGURANȚĂ PENTRU SCULELE ELECTRICE**

AVERTISMENT!! Citiți toate avertismentele cu privire la siguranță, instrucțiunile, ilustrațiile și specificațiile oferite împreună cu această sculă electrică. Nerespectarea tuturor instrucțiunilor de mai jos poate duce la electrocutare, incendiu și/sau vătămare gravă.



Păstrați toate avertismentele și instrucțiunile pentru consultare ulterioară.

Termenul „sculă electrică” din avertismente se referă la sculele electrice acționate de la rețea (cu fir) sau la cele acționate cu acumulator (fără fir).

1) SIGURANȚA LOCULUI DE MUNCĂ

- Păstrați locul dvs. de muncă curat și bine iluminat.** Bancurile de lucru dezordonate și sectoarele neiluminate pot duce la accidente.
- Nu acționați sculele electrice în atmosfere explozive, cum ar fi prezența lichidelor, gazelor și prafurilor inflamabile.** Sculele electrice produs scânteii care pot aprinde praful sau aburii.
- Țineți departe însoțitorii, copiii și vizitatorii când folosiți o sculă electrică.** Dacă sunteți distras, puteți pierde controlul asupra sculei.

2) SECURITATEA ELECTRICĂ

- Ștecherul sculei electrice trebuie să se potrivească cu priza. Nu modificați ștecherul în niciun fel. Nu folosiți adaptoare de ștecher cu sculele electrice cu împământare.** Ștecherele nemodificate și prizele potrivite vor reduce riscul de electrocutare.
- Evitați contactul corporal cu suprafețe legate la pământ, ca țevi, radiatoare, mașini de gătit și frigider.** Există un risc crescut de electrocutare dacă corpul dvs. este legat la pământ.
- Nu expuneți scula electrică la ploaie sau condiții de umiditate.** Dacă apa intră în scula electrică, aceasta va crește riscul de electrocutare.
- Nu folosiți în mod abuziv cablul de alimentare. Nu folosiți niciodată cablul de alimentare pentru a transporta, a trage sau a scoate din priză scula electrică. Țineți cablul departe de căldură, ulei, margini ascuțite, sau piese mobile.** Cablurile de alimentare deteriorate sau încurcate cresc riscul de electrocutare.
- Când folosiți o sculă electrică în aer liber, utilizați un cablu prelungitor potrivit pentru exterior.** Folosirea unui cablu prelungitor potrivit pentru exterior reduce riscul de electrocutare.
- Dacă folosirea unei scule electrice într-un loc umed nu poate fi evitată, utilizați o alimentare protejată cu întrerupător de circuit pentru curentul de fugă.** Folosirea unui întrerupător de circuit pentru curentul de fugă reduce riscul de electrocutare.

3) SECURITATEA PERSOANELOR

- Fiți vigilenți, priviți ceea ce faceți și procedați rațional atunci când lucrați cu scula electrică. Nu folosiți o sculă electrică dacă sunteți obosiți sau vă aflați sub influența drogurilor, alcoolului sau a medicamentelor.** Un moment de neatenție în timpul lucrului cu scula electrică poate duce la răni grave.
- Folosiți echipamentul personal de protecție. Purtați întotdeauna**

- na ochelari de protecție.** Echipamentul de protecție cum ar fi masca de protecție împotriva prafului, încălțăminte de siguranță antiderapantă, cască de protecție sau aparat de protecție auditivă folosite pentru condițiile corespunzătoare, reduce riscul rănilor.
- c) **Preveniți pornirea neintenționată. Asigurați-vă că întrerupătorul este în poziția oprit înainte de a face legătura la sursa de curent și/sau la acumulator, de a ridica sau de a căra scula.** Dacă duceți scula electrică cu degetul apăsător pe întrerupător sau alimentați o sculă electrică ce are întrerupătorul pe poziția pornit, puteți provoca accidente.
- d) **Scoateți toate cheile fixe și reglabile înainte de a porni scula electrică.** O cheie reglabilă sau fixă lăsată într-o componentă de mașină care se rotește, poate provoca răni.
- e) **Nu vă supraapreciați. Adoptați o poziție corectă și păstrați-vă întotdeauna echilibrul.** Astfel veți putea controla mai bine mașina în situații neașteptate.
- f) **Îmbrăcați-vă corespunzător. Nu purtați haine largi sau bijuterii. Țineți părul, îmbrăcămintea și mânușile departe de componente aflate în mișcare.** Îmbrăcămintea largă, bijuteriile și părul lung pot fi prinse de piesele aflate în mișcare.
- g) **Dacă aparatul este prevăzut pentru legarea cu echipamente de aspirare și colectare a prafului, asigurați-vă că acestea sunt conectate și folosite corect.** Folosirea unui echipament de aspirare a prafului poate reduce pericolele legate de praf.
- h) **Nu permiteți ca din cauza familiarității dobândite de pe urma utilizării frecvente a sculelor să deveniți superficial și să ignorați principiile de siguranță ale sculelor.** Acțiunile neglijente pot cauza vătămare gravă într-o fracțiune de secundă.

4) UTILIZAREA ȘI ÎNTREȚINEREA SCULEI ELECTRICE

- a) **Nu forțați scula electrică. Folosiți scula electrică corectă pentru aplicația dvs.** Scula electrică corectă va face treaba mai bine și mai sigur în ritmul pentru care a fost proiectată.
- b) **Nu folosiți scula electrică dacă întrerupătorul nu poate fi pornit sau oprit.** Orice sculă electrică care nu poate fi controlată cu întrerupătorul este periculoasă și trebuie reparată.
- c) **Scoateți ștecherul din priză și/sau acumulatorul de la scula electrică înainte de a face orice reglaje, de a schimba accesorii sau de a depozita scula electrică.** Astfel de măsuri de siguranță preventive reduc riscul de pornire accidentală a sculei electrice.
- d) **Depozitați sculele electrice nefolosite departe de accesul copiilor și nu permiteți persoanelor care nu sunt familiarizate cu scula electrică sau cu aceste instrucțiuni să folosească scula electrică.** Sculele electrice sunt periculoase în mâinile utilizatorilor neexperimentați.
- e) **Efectuați întreținerea sculelor electrice și a accesoriilor. Controlați dacă componentele mobile sunt nealiniat sau gripate, dacă există piese rupte sau dacă există situații care ar putea să afecteze funcționarea sculei electrice. Dacă scula electrică este defectă, reparați-o înainte de folosire.** Multe accidente sunt provocate de scule electrice neîntreținute suficient.
- f) **Păstrați sculele de tăiere ascuțite și curate.** Sculele de tăiere menținute corect, cu margini tăioase, sunt mai puțin expuse blocării și sunt mai ușor de controlat.
- g) **Folosiți scula electrică, accesoriile și biturile sculei, etc., conform acestor instrucțiuni, ținând cont de condițiile de lucru și de munca ce trebuie executată.** Folosirea sculei electrice pentru alte operațiuni decât cele pentru care a fost gândită, poate duce la

situații periculoase.

h) **Mențineți mânerele și suprafețele de prindere uscate, curate și fără urme de grăsime și ulei.** Mânerele și suprafețele de prindere alunecoase nu permit manevrarea și controlul sigur al sculei în situații neprevăzute.

5) UTILIZAREA ȘI ÎNTREȚINEREA SCULELOR CU ACUMULATOR

- a) **Efectuați reîncărcarea folosind numai încărcătorul recomandat de producător.** Un încărcător potrivit pentru un singur tip de acumulator poate crea un risc de incendiu dacă este utilizat cu un alt tip de acumulator.
- b) **Folosiți sculele cu acumulator numai cu acumuloarele special concepute pentru acestea. Utilizarea oricărui alt acumulator poate crea un risc de vătămare și incendiu.**
- c) **Atunci când nu folosiți acumulatorul, țineți-l la distanță de alte obiecte metalice, cum ar fi agrafele de hârtie, monedele, cheile, cuiele, șuruburile sau alte obiecte mici din metal, care pot crea conexiunea între borne.** Scurtcircuitarea bornelor acumulatorului poate cauza arsuri sau incendii.
- d) **În condiții de manipulare abuzivă, se poate scurge lichid din acumulator.** Evitați contactul cu acesta. În cazul contactului accidental, clătiți-vă cu apă. În cazul în care lichidul intră în contact cu ochii, solicitați asistență medicală. Lichidul scurs din acumulator poate cauza iritații sau arsuri.
- e) **Nu folosiți un acumulator sau o sculă deteriorată sau modificată.** Acumulatorii deteriorați sau modificați pot avea un comportament imprevizibil, ducând la incendiu, explozie sau risc de vătămare.
- f) **Nu expuneți acumulatorul sau scula la foc sau temperaturi excesive.** Expunerea la foc sau la temperaturi de peste 130 °C poate cauza explozii.
- g) **Urmați toate instrucțiunile privind încărcarea și nu încărcăți acumulatorul sau scula în afara intervalului de temperatură recomandat în instrucțiuni.** Încărcarea necorespunzătoare sau la temperaturi în afara intervalului indicat poate deteriora acumulatorul și poate crește riscul de incendiu.

6) SERVICE

- a) **Duceți scula electrică pentru întreținere la o persoană calificată pentru reparații, folosind piese de schimb identice.** Acest lucru va garanta faptul că siguranța sculei electrice este menținută.
- b) **Nu reparați niciodată acumulatori deteriorați.** Repararea acumulatorilor trebuie efectuată numai de către producător sau de furnizori de service autorizați.

AVERTISMENTE DE SIGURANȚĂ PENTRU CAPSATOARE

- **Always assume that the tool contains fasteners.** Careless handling of the tacker can result in unexpected firing of fasteners and personal injury.
- **Presupuneți întotdeauna că scula conține capse.** Mânuirea fără grijă a capsatorului poate duce la tragerea neașteptată a capselor și răniri ale persoanelor.
- **Nu îndreptați scula către dvs. sau către oricine din apropiere.** Declanșarea neașteptată va descărca capsă provocând o rănire.
- **Nu acționați scula decât dacă aceasta este fixată cu putere pe piesa de lucru.** Dacă scula nu este în contact cu piesa de lucru, capsă ar putea fi deviată dinspre țintă.
- **Decuplați scula de la sursa de alimentare dacă o capsă s-a**

blocat în sculă. Când scoateți o capsă blocată, trăgaciul poate fi activat în mod accidental dacă scula este alimentată cu curent.

- **Aveți grijă când scoateți o capsă blocată.** Mecanismul poate fi comprimat, iar capsă poate fi descărcată forțat când încercați să eliberați un blocaj.
- **Nu folosiți acest capsator pentru a fixa cabluri electrice.** El nu este proiectat pentru instalarea cablurilor electrice și ar putea deteriora izolația acestora, ceea ce duce la pericol de electrocutare sau incendiu.

TECHNICAL SPECIFICATION

Capsator cu acumulator, număr model	BTX530	BTX140
Tip de capse	Rapid 53	Rapid 140
Lungimea capsei	6-14 mm	6-14 mm
Capacitatea magaziei, numărul maxim de capse	112 buc	66 buc
Tip de cuie, lungime	Rapid T8, 15-30 mm	
Capacitatea magaziei, numărul maxim de cuie	66 buc	
Dimensiuni sculă (incl. acumulator) Î x A x L	195 x 60 x 220 mm	
Greutate	1,360 kg	
Acumulator		
Tip, tensiune	Li-Ion, 7,2 V	
Capacitate	1.300 mAh	
Temp de încărcare	90 min	
Nr. maxim de trageri per încărcare	≈ 1.500 de trageri	
Viteză maximă pentru funcționare continuă	20 trageri/min	
Încărcător		
Intrare	100-240 V, 50-60 Hz	
Ieșire	8,4 V c.c.	
Putere	1.000 mA	

EMISIE DE ZGOMOT

Nivel de presiune de sunet ponderată A $L_{pA}=79,3$ dB(A), nesigur $K=3$ dB(A)

Nivel de putere de sunet ponderată $L_{wA}=90,3$ dB(A), nesigur $K=3$ dB(A)

Este recomandat ca operatorul să poarte căști de protecție.

VIBRAȚIE

Valoare totală vibrație $=1,214$ m/s², nesigur $K=1,5$ m/s²

Valoarea totală declarată a vibrațiilor a fost măsurată conform unei metode de testare standard și poate fi folosită pentru compararea unei scule cu alta.

Valoarea totală declarată a vibrațiilor poate fi folosită și la evaluarea preliminară a expunerii.

AVERTISMENT

Emisia de vibrații în timpul folosirii efective a sculei electrice poate diferi de valoarea totală declarată, în funcție de modul în care este folosită scula."

Este necesară identificarea unor măsuri de siguranță pentru protecția operatorului bazate pe o estimare a expunerii în condițiile de utilizare efective (luând în calcul toate etapele ciclului de exploatare, precum momentul opririi sculei și durata de funcționare în gol, pe lângă momentul declanșării).



ASAMBLAREA

DEFINIȚII (Figura 1, 2 și 10)

- A** : Comutator pentru ajustarea puterii **B** : Întreprupător de declanșare **C** : Acumulator
D : Butoane de deblocare **E** : Basculă de siguranță **F** : Zăvor magazie
G : Șină **H** : Magazie **I** : Mufă
J : Punct de încărcare **K** : Încărcător **L** : LED

SCOATEREA ȘI CONECTAREA ACUMULATORULUI

1. Pentru a scoate acumulatorul **C**, apăsați butoanele de deblocare **D** și scoateți acumulatorul din aparat (Figura 3).
2. Pentru a conecta acumulatorul, glisați-l în direcția opusă până auziți un clic (Figura 4).

ÎNCĂRCAREA CAPSELOR/CUIELOR ÎN MAGAZIE

1. Apăsați pe zăvorul magaziei **F** pentru a o desprinde de pe corpul capsatorului.
2. Glisați șina **G** spre partea din spate.
3. Introduceți banda cu capse/cuie așa cum se arată în figurile 8 și 9.
4. Închideți magazia împingând înainte șina, până când se blochează.

SCOATEREA CAPSELOR/CUIELOR DIN MAGAZIE

1. Apăsați pe zăvorul magaziei **F** pentru a o desprinde de pe corpul capsatorului.
2. Glisați șina **G** spre partea din spate.
3. Scoateți capsele / cuiele din magazie
4. Închideți magazia.

FOLOSIREA

CAPSAREA/ÎMPUȘCAREA CUIELOR

1. Asigurați-vă că scula este în stare bună de lucru.
2. Rotiți comutatorul pentru ajustarea puterii **A** pentru a regla adâncimea de penetrare a capselor/cuielor necesară (Figura 5).
3. Împingeți ferm bascula de siguranță **E** în piesa de lucru până când intră câțiva milimetri (Figura 6).
4. Apăsați scurt întrerupătorul de declanșare **B** și eliberați-l din nou (Figura 7).
5. Întrerupătorul de declanșare **B** este blocat atât timp cât nu împingeți bascula de siguranță în piesa de lucru, evitând astfel operarea accidentală.

INSTRUCȚIUNI DE UTILIZARE A ÎNCĂRCĂTORULUI

Nu folosiți scula în timpul încărcării.

1. Scoateți acumulatorul din sculă.
2. Conectați punctul de încărcare **J** al încărcătorului la mufa **I** acumulatorului (Figura 10).
3. Conectați încărcătorul **K** la rețeaua de alimentare. → LED-ul **L** de pe încărcător va lumina în roșu pe durata încărcării (Figura 10).
4. După încărcarea completă a acumulatorului, LED-ul **L** încărcătorului va deveni verde (Figura 10).
5. Scoateți fișa **J** din mufa **I** și deconectați încărcătorul **K** de la rețeaua de alimentare.
 - Efectuați încărcarea numai la o temperatură ambientă cuprinsă între 10 °C și 50 °C.
 - În timpul încărcării normale, încărcătorul se poate încălzi. Acest lucru este normal.
 - Nu păstrați acumulatorul în locuri în care temperatura poate depăși 50 °C.

NOTĂ: Pentru execuție mai bună, apăsați scula spre piesa de lucru.

NOTĂ: Dacă aveți capse sau cuie blocate, citiți capitolul de întreținere. NU trageți din nou cu scula pentru a elibera blocarea, aceasta ar putea deteriora scula.

NOTĂ: În timpul funcționării, scula ar putea să se încălzească. Acest lucru este normal, dar dacă simțiți că scula sa înfierbântat, opriți utilizarea până când aceasta se răcește.

NOTĂ: Capsatorul trebuie folosit numai pentru scopurile pentru care a fost proiectat. Această sculă este destinată capsării lemnului, cartonului, materialelor izolatoare, materialelor textile, foliilor, pielii și materialelor similare de pe suprafețe din lemn sau din materiale asemănătoare lemnului. A se utiliza numai în scop personal.

NOTĂ: Utilizați scula numai cu acumulatorul special conceput.

ÎNTREȚINERE

ÎNTREȚINERE STANDARD

1. Controlați toate șuruburile și strângeți-le dacă este necesar.
2. Păstrați toate aerisirile curate, fără praf și mizerie.
3. Scoateți acumulatorul înainte de a curăța scula.
4. Curățați scula cu o cârpă uscată sau umedă. Nu folosiți NICIODATĂ solvenți.
5. Păstrați curat canalul magaziei.
6. NU gresați nicio piesă.
7. Asigurați-vă că capsatorul nu este deteriorat. Înlocuiți-l sau reparați-l înainte de utilizare.

ELIBERAREA UNEI CAPSE / UNUI CUI BLOCAT

1. Apăsați pe zăvorul magaziei **F** pentru a o desprinde de pe corpul capsatorului.
2. Glisați șina **G** spre partea din spate.
3. Scoateți capsele / cuiile slăbite din magazie.
4. Folosiți un ac cu capătul ascuțit pentru a scoate capsă/cuiul blocat.

AVERTISMENT!!

NU modificați nicio piesă din acest capsator și nu atașați accesorii speciale. Aceasta poate duce la răni ale persoanelor.

În cazul defectării sculei/încărcătorului, în ciuda procedurilor atente de producție și testare, reparațiile trebuie efectuate de un centru de service post-vânzare pentru scule Rapid.



MEDIU

Colectare separată. Nu aruncați sculele electrice la gunoiul menajer! Conform Directivei Europene 2012/19/EU, acestea se elimină cu deșeurile de echipament electric și electronic.

- Când scula trebuie înlocuită, sau nu mai este utilizabilă, ea trebuie dusă la un centru separat de colectare pentru reciclare.
- Bateria: bateriile sunt reciclabile.
Consumați complet bateria, apoi scoateți-o din aparat și duceți-o la o stație locală de reciclare.



Отговаря на съответните ЕУ директиви

**ОБЩИ ПРЕДУПРЕЖДЕНИЯ ЗА БЕЗОПАСНОСТ ЗА ЕЛЕКТРИЧЕСКИ ИНСТРУМЕНТИ**

ВНИМАНИЕ!! Прочетете внимателно всички указания за безопасност, инструкции, илюстрации и спецификации, приложени към този инструмент. Неспазване на тези указания може да доведе до токов удар, пожар и/или сериозни наранявания.



Пазете всички предупреждения и указания за бъдещи справки.

Използваният в предупрежденията термин „електроинструмент“ се отнася до захранвани от електрическата мрежа електроинструменти (със захранващ кабел) или до захранвани от акумулаторна батерия електроинструменти (без захранващ кабел).

1) БЕЗОПАСНОСТ НА РАБОТНОТО МЯСТО

- а) **Поддържайте работното си място чисто и добре осветено.** Разхвърляните и неосветени работни места могат да спомогнат за възникване на злополука.
- б) **Не работете с електроинструменти във взривоопасна среда, например при наличие на възпламеними течности, газове или прах.** Електроинструментите отделят искри, които могат да възпламенят праха или изпаренията.
- в) **Дръжте странични лица, деца и посетители на разстояние, докато работите с електроинструмента.** Ако вниманието ви бъде отклонено, може да загубите контрола над електроинструмента.

2) БЕЗОПАСНОСТ ПРИ РАБОТА С ЕЛЕКТРИЧЕСКИ ТОК

- а) **Щепселът на електроинструмента трябва да е подходящ за ползвания контакт. В никакъв случай не се допуска изменение на конструкцията на щепсела. Когато работите със заземени електроуреди, не използвайте адаптери за щепсела.** Ползването на оригинални щепсели и подходящи контакти ще намали риска от възникване на токов удар.
- б) **Избягвайте контакт на тялото със заземени тела като например тръби, радиатори, печки и хладилници.** Ако тялото ви е заземено, съществува по-голям риск от възникване на токов удар.
- в) **Не излагайте електроинструментите на дъжд или влага.** Проникването на вода в електроинструмента повишава опасността от токов удар.
- г) **Използвайте захранващия кабел единствено по предназначение. Никога не използвайте кабела за носене на електроинструмента, дърпане или изваждане на щепсела от контакта. Предпазвайте кабела от нагряване, омасляване, допир до остри ръбове или до подвижни звена на машини.** Повредени или усукани кабели увеличават риска от възникване на токов удар.
- д) **Когато работите с електроинструмент навън, използвайте удължителни кабели, предназначени за работа на открито.** Използването на удължител, предназначен за работа на открито, намалява риска от възникване на токов удар.

е) Ако се налага използването на електроинструмента във влажна среда, използвайте заземяващ прекъсвач за утечни токове (GFCI). Използването на заземяващ прекъсвач за утечни токове (GFCI) намалява риска от възникване на токов удар.

3) ЛИЧНА БЕЗОПАСНОСТ

а) При работа с електроинструменти бъдете концентрирани, следете внимателно действията си и постъпвайте разумно. Не използвайте електроинструмента, когато сте уморени или под влиянието на наркотични вещества, алкохол или лекарства. Един миг разсеяност при работа с електрически инструмент може да има за последствие тежки наранявания.

б) Използвайте лично предпазно оборудване. Винаги носете предпазни очила. Предпазното оборудване като дихателна маска, нехлъзгащи се обезопасяващи обувки, защитна каска или шумозаглушители (антифони), използвано съобразно съответните условия, ще ограничи нараняванията.

в) Предотвратете възможността за включване на инструмента по невнимание. Преди да включите към източника на захранване и/или акумулаторната батерия, да вземете или да носите инструмента, се уверете, че прекъсвачът е в изключено положение. Носенето на електроинструменти с пръст, поставен върху прекъсвача, или подаването на захранване към електроинструменти, чийто прекъсвач е във включено положение, създава условия за настъпване на злополука.

г) Преди да включите електроинструмента, се уверявайте, че сте отстранили от него всички помощни инструменти и гаечни ключове. Помощен инструмент или гаечен ключ, забравен на въртящо се звено на електроинструмента, може да причини травми.

д) Не се протягайте прекомерно. Във всеки един момент ходете равномерно и пазете равновесие. Така ще можете да контролирате електроинструмента по-добре и по-безопасно, ако възникне неочаквана ситуация.

д) Носете подходящо облекло. Не носете свободно висящи дрехи или бижута. Дръжте косата, дрехите и ръкавици си на безопасно разстояние от въртящите се звена. Широките дрехи, украшенията или дългите коси могат да бъдат захванати от въртящи се звена.

ж) Ако са предвидени устройства за свързване на прахоуловителни и аспирационни съоръжения, се уверете, че те са свързани и функционират изправно. Използването на аспирационна система намалява рисковете, дължащи се на отделящата се при работа прах.

з) Не допускайте предишният ви опит в работата с подобни инструменти да притъпи бдителността ви и да ви накара да пренебрегнете принципните указанията за безопасност. Дори едно невнимателно действие за част от секундата може да доведе до сериозно нараняване.

4) ЕКСПЛОАТАЦИЯ И ОБСЛУЖВАНЕ НА ЕЛЕКТРОИНСТРУМЕНТИ

а) Не претоварвайте електроинструмента. Използвайте подходящия електроинструмент за съответното предназначение. Ще работите по-добре и по-безопасно, когато използвате подходящия електроинструмент в

- задания от производителя диапазон на натоварване.
- б) **Не използвайте електроинструмент, чиито пусков прекъсвач е повреден.** Електроинструмент, който не може да се управлява от пусковия прекъсвач, е опасен и трябва да бъде ремонтиран.
 - в) **Преди да променят настройките, да сменят спомагателни части или да приберете инструмента за съхранение, изключете инструмента от акумулаторната батерия и/или щепсела от източника на електрозахранване.** Тези предпазни мерки ограничават риска от задействане на електроинструмента по невнимание.
 - г) **Съхранявайте неизползваните електроинструменти на места, недостъпни за деца, и не допускате те да бъдат използвани от лица, които не са запознати с начина на работа с тях и не са прочели тези инструкции.** В ръцете на необучен потребител електроинструментите могат да бъдат опасни.
 - д) **Поддържка на инструмента и аксесоарите.** Проверете за разместване или спойки на движещи се части, счупване на части или други условия, които може да повлияят на работата на инструмента. Ако се повреди, поправете електрическия инструмент преди употреба. Много от трудовите злополуки се дължат на недобре поддържани електроинструменти.
 - е) **Поддържайте режещите инструменти винаги добре заточени и чисти.** Добре поддържаните режещи инструменти със заточени остриета оказват по-малко съпротивление и се водят по-леко.
 - ж) **Използвайте електроинструментите, допълнителните приспособления, работните инструменти и т.н., в съответствие с настоящите инструкции, като се съобразявате с условията на експлоатация и работата, която трябва да се извърши.** Използването на електроинструменти за различни от предвидените от производителя приложения може да доведе до опасни ситуации.
 - з) **Поддържайте дръжките и зоните за захват сухи, чисти и обезмаслени.** Хлъзгави дръжки и зони за захват не осигуряват безопасна работа и контрол на инструмента в непредвидени ситуации.

5) УПОТРЕБА И ГРИЖА ЗА БАТЕРИЯТА

- а) **Зареждайте само с устройството посочено от производителя.** Устройство, подходящо за определен тип батерия, може да създаде предпоставки за пожар, когато се използва с друг вид батерия.
- б) **Използвайте инструменти само със специално посочените батерии.** Употребата на всякакви други батерии може да доведе до пожар и наранявания.
- в) **Когато батерията не се използва, я пазете далеч от метални обекти, като например, кламери, монети, ключове, пирони, винтове или други малки метални предмети, които могат да направят връзка между двата полюса.** Директно свързване „на късо“ на двата полюса на батерията може да причини пожар или изгаряния.
- г) **В случаи на дефектиране е възможно да се появи теч от батерията; избягвайте контакт.** В случай на инцидентен контакт, изплакнете с вода. При контакт с очите, потърсете и медицинска помощ. Течът от батерията може да предизвика

раздразнение или изгаряния.

- д) **Не използвайте батерия или инструмент, които са повредени или преправяни.** Повредени или преправяни батерии могат да доведат до непредсказуеми ситуации и да предизвикат експлозия, пожар или риск от нараняване.
- е) **Не излагайте батерия или инструмент на огън или прекомерна температура.** Излагането на огън или температура над 130 °C/265 °F може да доведе до експлозия.
- ж) **Следвайте всички инструкции за зареждане и не зареждайте батерията или инструмента извън посочените в инструкциите температурни граници.** Неправилно зареждане или такова в извън определения температурен диапазон може да повреди батерията и да увеличи риска от пожар.

б) ТЕХНИЧЕСКО ОБСЛУЖВАНЕ

- а) **Осигурявайте техническо обслужване на електроинструментите от квалифицирани сервизни специалисти и само с използването на оригинални резервни части.** По този начин се гарантира съхраняване на безопасността на електроинструмента.
- б) **Никога не сервизирайте повредена батерия.** Сервизиране на батерията трябва да се извършва само от производителя или оторизиран сервиз.

ПРЕДУПРЕЖДЕНИЯ ЗА БЕЗОПАСНОСТ: ТАКЕРИ

- **Винаги приемайте за даденост, че инструментът съдържа скоби.** При невнимателно използване на такера може неочаквано да бъдат изстреляни скоби и да причинят нараняване.
- **Не насочвайте инструмента към себе си или други намиращи се в близост хора.** Задействането по непредпазливост ще освободи скобата и ще причини нараняване.
- **Не привеждайте в действие инструмента, докато не го поставите плътно върху обработвания материал.** Ако инструментът не е в контакт с обработвания материал, скобата може да се отклони от целта.
- **Когато скобата засече в инструмента, го изключете от източника на захранване.** Ако такерът не е изключен, той може да бъде активиран по невнимание, докато изваждате заседналата скоба.
- **Бъдете внимателни, когато изваждате заседнала скоба.** Възможно е механизмът да е под налягане и при опита ви да освободите заседналата скоба, тя да бъде изстреляна с висока скорост.
- **Не използвайте този такер за прикрепяне на електрически кабели.** Той не е проектиран за монтаж на електрически кабели и може да повреди изолацията на електрическия кабел, което съответно да доведе до опасност от токов удар или пожар.

ТЕХНИЧЕСКИ СПЕЦИФИКАЦИИ

Акумулаторен телбод, номер на модел	BTX530	BTX140
Тип скоба	Rapid 53	Rapid 140
Дължина на скобата	6-14 mm	6-14 mm
Капацитет на магазина, макс.	112 бр	66 бр
Тип и дължина на дърводелския пирон	Rapid T8, 15-30 mm	
Капацитет на магазина, макс.	66 бр	

Размери на инструмента (вкл. батерията) В x Ш x Д	195 x 60 x 220 mm
Тегло на инструмента	1,360 kg
Батерия	
Тип, волтаж	Li-Ion, 7,2 V
Капацитет	1300 mAh
Време на зареждане	90 мин
Изстрели с едно зареждане, макс.	≈ 1500 изстрела
Скорост, максимална продължителност	20 изстрела/мин
Зарядно устройство	
Входяща мощност	100-240V 50-60Hz
Изходяща мощност	8,4 V cc
Мощност	1000 mA

ЕМИСИИ НА ШУМ

Ниво на А-претеглено звуково налягане $L_pA=79,3$ dB(A), променливост $K=3$ dB(A)

Ниво на А-претеглено звуково налягане $L_wA=90,3$ dB(A), променливост $K=3$ dB(A)

Препоръчително е да се ползват защитни средства за слуха.

ВИБРАЦИЯ

Обща стойност на вибрация = $1,214$ m/s², променливост $K=1,5$ m/s²

Посочената обща стойност на вибрация е измерена в съответствие със стандартния метод за изпитване и може да се използва за сравняване на отделни инструменти

Посочената обща стойност на вибрация може да се използва също за предварителна оценка на експозицията.

ВНИМАНИЕ

Емисията на вибрации в хода на фактичестката експлоатация на електроинструмента може да се различава от посочената обща стойност в зависимост от начините на експлоатация на инструмента.

Необходимо е да се определят предпазни мерки за ползвателя в зависимост от реалните работни условия (отчитайки оперативния цикъл, като периодите през които инструментът е изключен и когато е в режим на изчакване).



СГЛОБЯВАНЕ

ОПРЕДЕЛЕНИЯ (Фигура 1, 2 и 10)

- | | | |
|--|------------------------|--------------------------------|
| A : Копче за регулиране на силата | B : Спусък | C : Комплект батерии |
| D : освобождаващите бутони | E : Предпазител | F : Закочка на магазина |
| G : Релса | H : Магазин | I : Контакт |
| J : Включете щепсела | K : Зарядното | L : Светодиодът |

ИЗВАЖДАНЕ И ПОСТАВЯНЕ НА БАТЕРИЯТА

- За да извадите батерията **C**, натиснете отключващите бутони **D** и приплъзнете батерията извън машината (фигура 3).
- За да поставите батерията, приплъзнете я в обратната посока докато тя застане на мястото си и чуете кликване (фигура 4).

ЗАРЕДЕТЕ СКОБИ/ДЪРВОДЕЛСКИ ПИРОНИ В МАГАЗИНА

- Натиснете закопчалката на магазина **F**, за да го освободите от тялото на танера.
- Плъзнете релсата **G** назад.
- Поставете лентата със скоби/пирони, както е показано на фигури 8 и 9.
- Затворете магазина, като избутате релсата напред, докато се заключи.

ОТСТРАНЕНЕ НА СКОБИТЕ/ДЪРВОДЕЛСКИТЕ ПИРОНИ ОТ МАГАЗИНА

- Натиснете закопчалката на магазина **F**, за да го освободите от тялото на танера.
- Плъзнете релсата **G** назад.
- Отстранете скобите/дърводелските пирони от магазина.
- Затворете магазина.

ЕКСПЛОАТАЦИЯ

ЗАСКОБЯВАНЕ/КОВАНЕ

- Уверете се, че инструментът е в добро експлоатационно състояние.
- Завъртете копчето за регулиране на силата **A**, за да нагласите дълбочината на проникване на телчетата/гвоздеите според нуждите си (фигура 5).
- Притиснете силно предпазителя **E** в работния детайл, докато се прибере на няколко милиметра (фигура 6).
- Натиснете бързо спусъка **B** и го отпуснете (фигура 7).
- За предотвратяване на неволен изстрел, спусъкът **B** е заключен, когато предпазителят не е притиснат към работния детайл.

ИНСТРУКЦИИ ЗА РАБОТА СЪС ЗАРЯДНОТО УСТРОЙСТВО

Не използвайте инструмента, докато се зарежда.

- Извадете батерията от инструмента.
- Включете щепсела **J** на зарядното устройство в контакта **I** без батерията (фигура 10).
- Включете зарядното устройство **K** в мрежата. → По време на зареждането светодиода **L** на устройството ще светне в червено (фигура 10).
- Когато батерията се зареди напълно, светодиода **L** на зарядното устройство ще светне в

зелено (фигура 10).

5. Изключете щепсела **Ⓘ** от контакта **Ⓘ** и изключете зарядното устройство **Ⓚ** от главното захранване.

- Сменяйте ги само при температура на околната среда между 10°C и 50°C.
- По време на зареждането устройството ще се загрее: това е нормално.
- Не съхранявайте батерията на места, където температурата може да надвиши 50°C.

ЗАБЕЛЕЖКА: За по-добри резултати притиснете инструмента към обработвания материал.

ЗАБЕЛЕЖКА: В случай на засядане на скоби или пирони прочетете раздела относно поддръжка. НЕ СЕ ДОПУСКА повторен изстрел с инструмента за изчистване на заседналите консумативи, тъй като по този начин инструментът може да се повреди.

ЗАБЕЛЕЖКА: По време на работа инструментът може да загрее. Това е нормално, но ако инструментът стане горещ, работата трябва да се преустанови до охлаждането му.

ЗАБЕЛЕЖКА: Такерът трябва да се използва единствено по предназначение. Този инструмент е предназначен за прикрепяне на дърво, картон, изолационен материал, текстилна тъкан, фолио, кожа и подобни материали към повърхности от дърво и подобни на дърво материали; само за лична употреба.

ЗАБЕЛЕЖКА: Използвайте инструмента само със специално разработената батерия.

ПОДДРЪЖКА

СТАНДАРТНА ПОДДРЪЖКА

1. Проверете всички винтове и при необходимост ги затегнете.
2. Почиствайте всички вентилационни отвори от прах и замърсяване
3. Извадете батерията, преди да почистите инструмента.
4. Почиствайте инструмента със суха или влажна кърпа. НИКОГА не използвайте разтворители.
5. Поддържайте чист магазинния жлеб.
6. НЕ СМАЗВАЙТЕ частите с масла или греси.
7. Винаги проверявайте дали такерът не е повреден. Преди експлоатация го ремонтирайте или подменете съответната част.

ИЗВАЖДАНЕ НА ЗАСЕДНАЛА СКОБА / ДЪРВОДЕЛСКИ ПИРОН

1. Натиснете закопчалката на магазина **Ⓕ**, за да го освободите от тялото на такера.
2. Плъзнете релсата **Ⓖ** назад.
3. Извадете от магазина свободните скоби / дърводелски пирони
4. Използвайте игла, за да извадите заседналите скоби/дърводелски пирони.

ПРЕДУПРЕЖДЕНИЕ!

НЕ ПРОМЕНЯЙТЕ части на този такер и не прикрепяйте специални допълнителни приспособления. Това може да доведе до наранявания.

Ако инструментът/зарядното устройство се повредят въпреки предприетите грижи при процедурите на производство и тестове, поправката трябва да се осъществи от следпродажбен сервизен център за инструменти "Rapid".



ОПАЗВАНЕ НА ОКОЛНАТА СРЕДА

Отделно събиране. Не изхвърляйте електрически инструменти при битовите отпадъци! В съответствие с европейската Директива 2012/19/ЕО относно електрическото и електронното оборудване.



- Когато инструментът трябва да се подмени или ако вече не се използва, трябва да се предаде за рециклиране в пункт за разделно събиране на отпадъци.
- Батерия: батериите могат да се рециклират.

Батерията може да се презарежда много пъти. В края на експлоатационния ѝ живот, изтощете батерията докрай, след това я извадете от инструмента и я предайте в местната станция за рециклиране.



Isaberg Rapid AB. Metallgatan 5,
335 71 HESTRA, SWEDEN
www.rapid.com

BTX530 & BTX140
Original Instructions