



Installation Instructions

Luminaire Code(s) – **4L3/1101/12****General Installation Instructions**

These instructions should be read carefully prior to any installation and retained after completion for further reference and maintenance. Please give these instructions to the building owner/occupier after installation.

Important Safety

1. Before installation, maintenance or lamp replacement, ensure that the mains supply to the luminaire is switched off and the circuit supply fuses are removed or the circuit breaker is turned off.
2. It is recommended that only a qualified electrical contractor carries out the installation of this luminaire and that the luminaire is installed in compliance with the current edition of the IEE Wiring Regulations.
3. The person carrying out the installation is to check and verify that the total load on the circuit, including that of this luminaire does not exceed the rating of the circuit cable, fuse or circuit breaker.
4. Where a luminaire incorporates discharge control gear (inductive load), the circuit capacity and ratings require careful sizing to avoid nuisance tripping of the protective device used in the installation.
5. Where applicable, careful consideration should be taken during installation to ensure that all fixings and/or suspensions are of a suitable size for the luminaire being installed.

Ratings

1. All luminaires are manufactured & tested in compliance with the requirement contained within BS EN 60598 and are CE marked.
3. All luminaires that are of Class 1 construction and that are marked accordingly, **MUST** be earthed.
3. All luminaires are designed to operate at 230Volts AC -6%/+ 10% = 216Volts to 252Volts. Do not operate outside these voltages.
4. All luminaires are only suitable for applications within their rated Ingress Protection limits as stated.

Exclusions to Warranty

Please Note - The limited warranty shall be null and void in the following circumstances:-

Failure by the installer, end user or any third party to exercise caution to protect any covered product or part from outside damage, adverse temperature (normal operating ambient temperature -10°C to 40°C), humidity conditions, fluctuations in the electrical system or physical abuse as well as failure related to workmanship in the installation of the products or parts.


DO NOT DRILL THE BODY OF THIS LUMINAIRE FOR MOUNTING PURPOSES. THE LUMINAIRE IS ONLY DESIGNED FOR INSTALLATION, USING THE CLIPS AND HOOKS PROVIDED AND ONLY AT THE FIXING POINTS OF THE FITTING. ANY DRILLED HOLES DURING INSTALLATION WILL ALSO INVALIDATE THE IP RATING OF THE FITTING.

Installation

- Determine the fixing centres from the sizes indicated on the box or from the table below.
- If mounting to ceilings, securely fix the stainless steel mounting clips using screw fixings provided at the spacing's mentioned above. For suspended mounting, use hanging hooks provided on the back of the fitting.
- Remove the front diffuser by unhinging stainless steel clips and gear tray assembly and place in a safe place until needed.
- Select a suitable cable entry point by drilling into the base at any of the 20mm entry points. (Suitable provision **MUST** be made to protect IP rating of luminaire).
- It is the installer's responsibility to provide adequate electrical connections to maintain the correct IP rating for the installed environment. This is in accordance to BS EN 7671.
- Use only circular HO7RN-F cable, 0.75mm² - 1mm². Ensure the cable entry connector has a minimum water ingress rating of IPX5.

Electrical Connections

Connect as follows:-

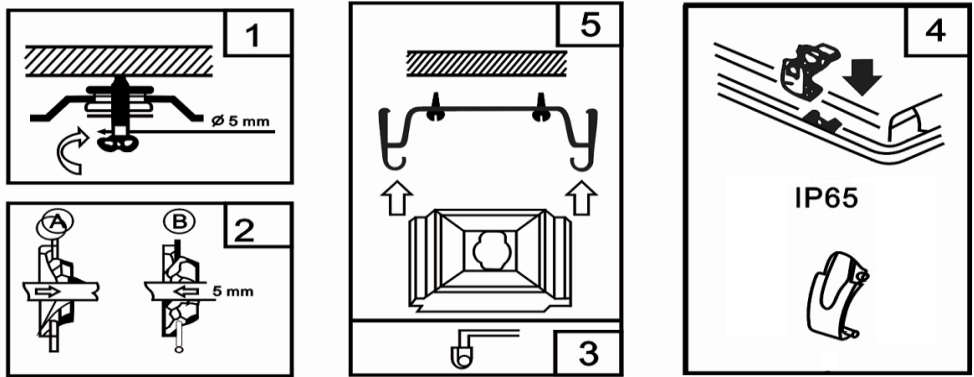
LIVE	(L2)	BROWN OR RED	(switched)
LIVE	(L1)	BROWN OR RED	(Emergency)
NEUTRAL	(N)	BLUE OR BLACK	
EARTH		GREEN / YELLOW	

- Terminate the supply cable ensuring correct polarity is observed and the luminaire **MUST** be earthed.
- Replace the gear tray into the clips.
- Seat diffuser against gasket, fit clips into recess points in base and secure diffuser with clips.
- Lock the clips into the closed position by using the fixing screw supplied.
- Restore supply for satisfactory operation.

Note :- It is the responsibility of the installer/specifier to determine the suitability of this luminaire for the application. Luminaire types with high IP rating protection may not be suitable for installations with prolonged daily use due to accumulative heat not being able to dissipate from the luminaire body, affecting life span of components.

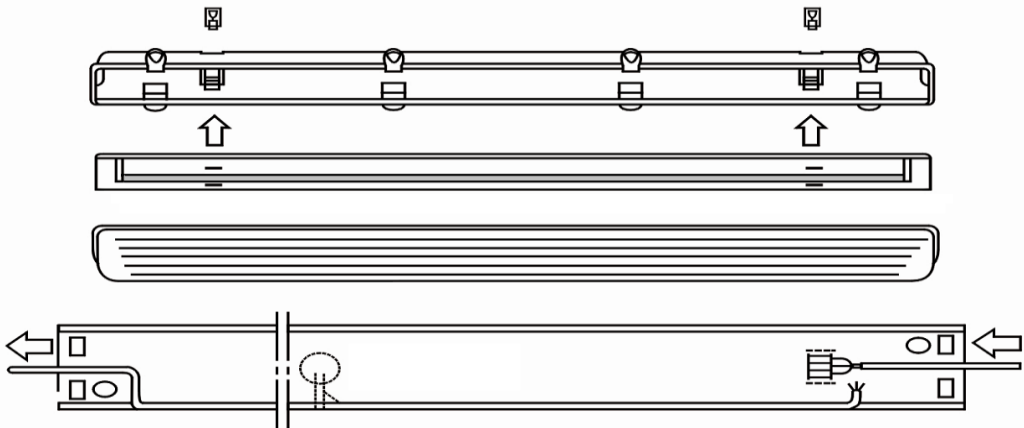
Operating Conditions

4L3/1101/12	This luminaire is designed to operate in a temperature range -10°C to +40°C
-------------	---

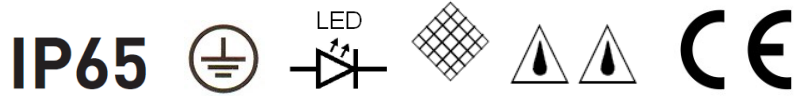


UNDER NO CIRCUMSTANCES SHOULD THE BODY OF THIS LUMINAIRE BE DRILLED FOR MOUNTING PURPOSES.

ALWAYS USE THE MOUNTING BRACKETS OR SUSPENSION LOOPS PROVIDED.



Please Note : Any additional power feed cable should be retained in such a way as to prevent contact with any control gear.



Maintenance:

1. If replacing the LED Driver, please ensure the driver is the correct sized housing and the secondary output / wattage has the same specification as that detailed in the table above.



Disposal of Electronic Equipment WEEE Directive 2002/96/EC

This product falls within the scope of the Waste Electrical & Electronic Equipment Directive (WEEE), which means the product should not be disposed of as normal household waste. Ensure that this luminaire and lamp is disposed of in accordance with the WEEE Directive. Contact a local Council Waste Dept. Local Amenity Site, or the Environment Agency for further information. **RoHS** - All components and materials used in this product are **RoHS** 2002/95/EC compliant.