

DEWALT®

www.DEWALT.com

DWE625

DWE627

Fig. A

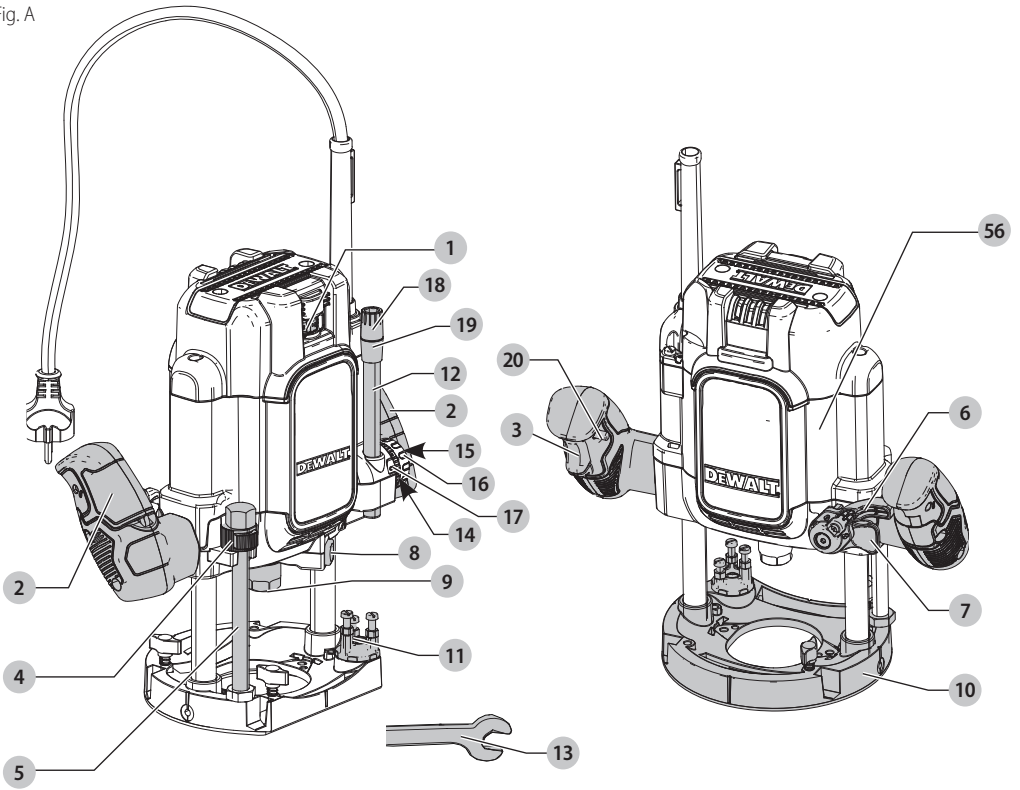


Fig. B

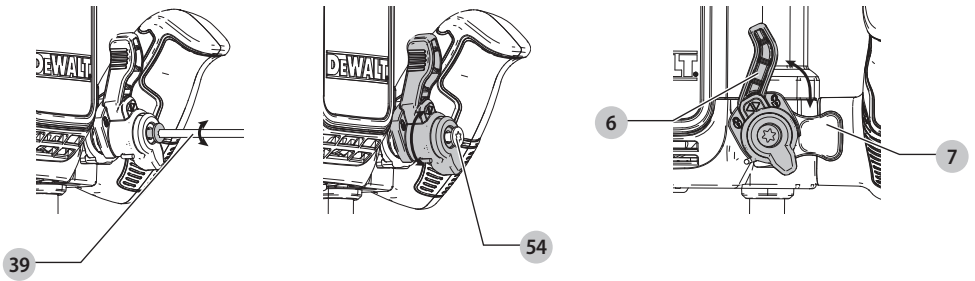


Fig. C

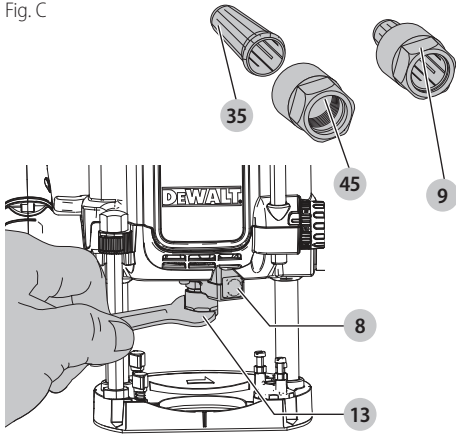


Fig. D

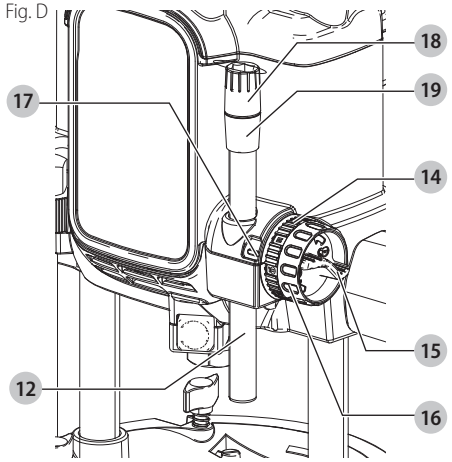


Fig. E

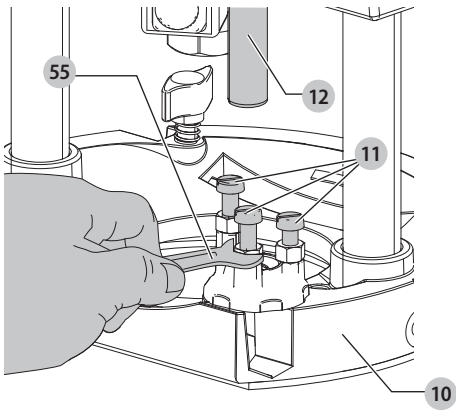


Fig. F

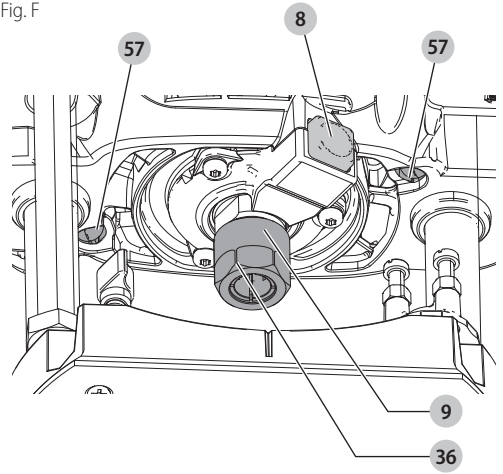


Fig. G

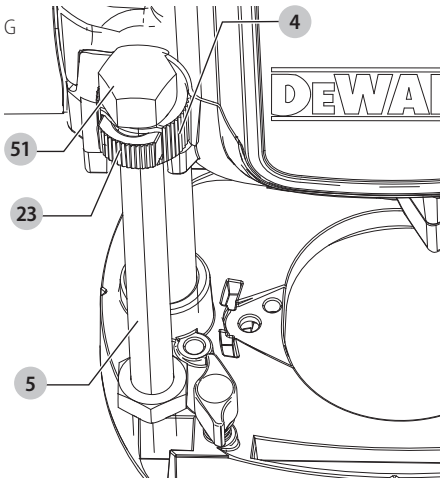


Fig. H

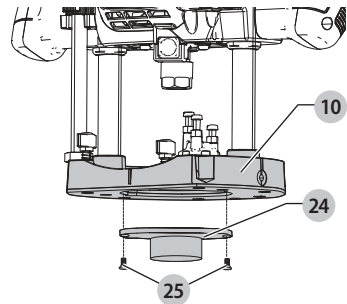


Fig. I

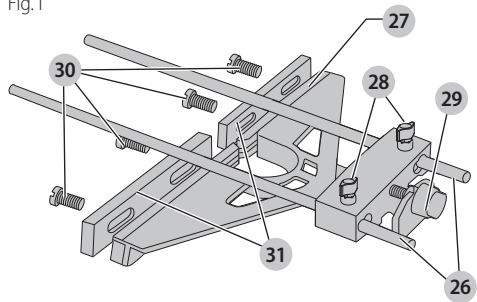


Fig. J

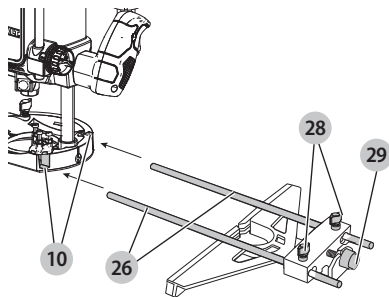


Fig. K

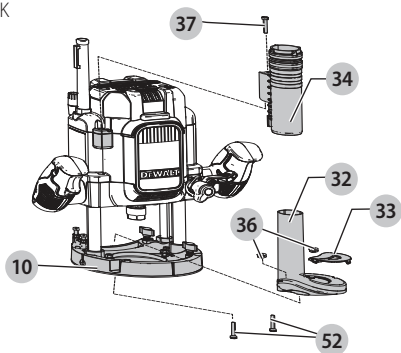


Fig. L

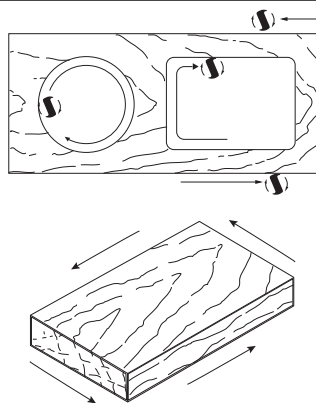


Fig. M

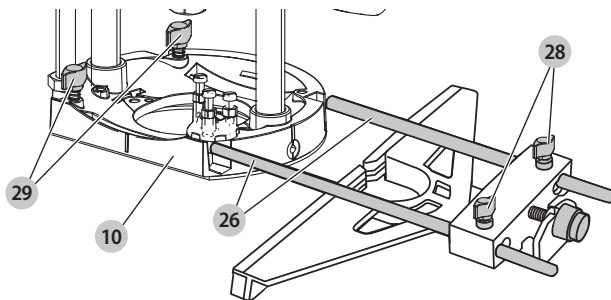


Fig. N

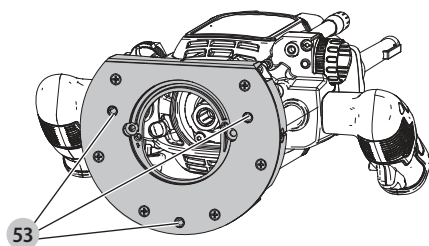


Fig. O

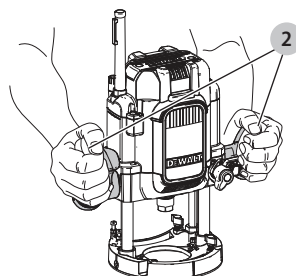


Fig. P

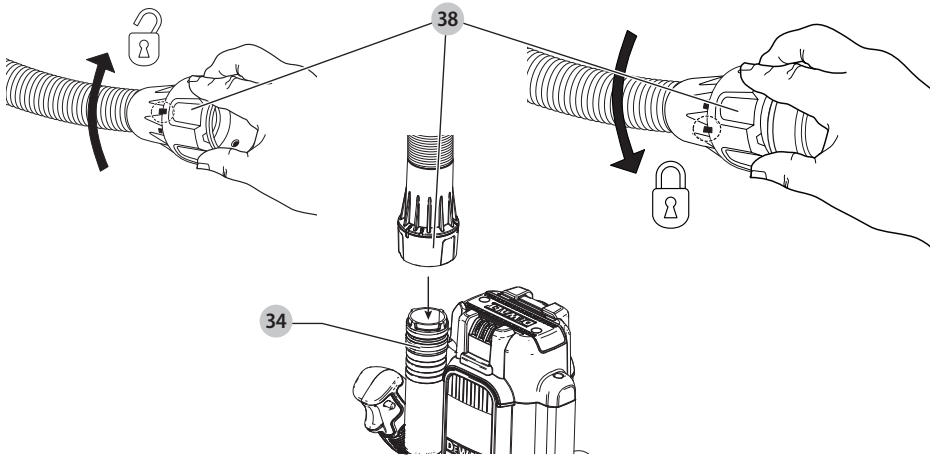


Fig. Q

(DWE627)

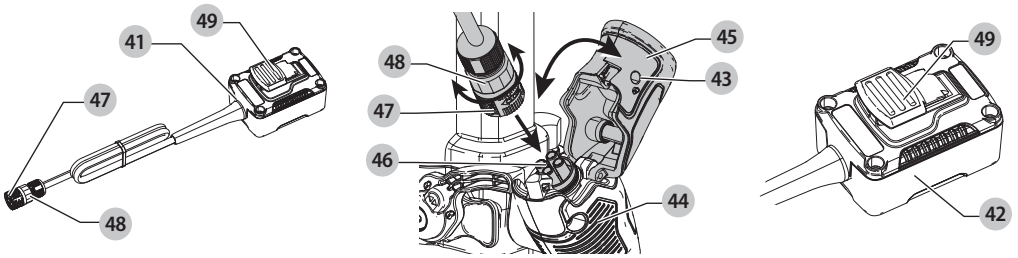
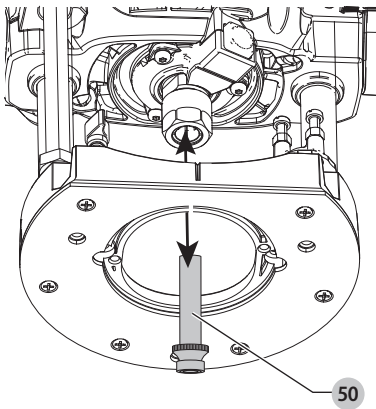


Fig. R



PLUNGE ROUTER

DWE625, DWE627

Congratulations!

You have chosen a DeWALT tool. Years of experience, thorough product development and innovation make DeWALT one of the most reliable partners for professional power tool users.

Technical Data

		DWE625	DWE625	DWE627
Voltage	V _{AC}	115	230	230
Type		1	1	1
Power input	W	2100	2300	2300
No-load speed	min ⁻¹	9000 - 22000	9000 - 22000	9000 - 22000
Router carriage	mm	2 column	2 column	2 column
Router carriage stroke	mm	80	80	80
Max. cutting diameter	mm	50	50	50
Collet size for Europe	mm	12	12	12
Collet size for UK and ROI	inch	1/2	1/2	1/2
Weight	kg	6.1	6.1	6.2
Noise values and/or vibration values (triax vector sum) according to EN62841-2-17:				
L _{PA} (emission sound pressure level)	dB(A)	94.2	95.1	95.1
L _{WA} (sound power level)	dB(A)	105.2	106.1	106.1
K (uncertainty for the given sound level)	dB(A)	2.5	2.5	2.5
Vibration emission value a _{h,hv} =				
	m/s ²	4.1	3.1	3.1
Uncertainty K =	m/s ²	0.31	0.31	0.31

The vibration and/or noise emission level given in this information sheet has been measured in accordance with a standardised test given in EN62841 and may be used to compare one tool with another. It may be used for a preliminary assessment of exposure.



WARNING: The declared vibration and/or noise emission level represents the main applications of the tool. However if the tool is used for different applications, with different accessories or poorly maintained, the vibration and/or noise emission may differ. This may significantly increase the exposure level over the total working period.

An estimation of the level of exposure to vibration and/or noise should also take into account the times when the tool is switched off or when it is running but not actually doing the job. This may significantly reduce the exposure level over the total working period.

Identify additional safety measures to protect the operator from the effects of vibration and/or noise such as: maintain the tool and the accessories, keep the hands warm (relevant for vibration), organisation of work patterns.

EC-Declaration of Conformity

Machinery Directive



DWE625, DWE627 Plunge Router

DeWALT declares that these products described under **Technical Data** are in compliance with:

2006/42/EC, EN62841-1:2015 + AC:2015; EN62841-2-17:2017.

These products also comply with Directive 2014/30/EU and 2011/65/EU. For more information, please contact DeWALT at the following address or refer to the back of the manual.

The undersigned is responsible for compilation of the technical file and makes this declaration on behalf of DeWALT.

Markus Rompel
Vice-President Engineering, PTE-Europe
DeWALT, Richard-Klinger-Straße 11,
65510, Idstein, Germany
08.09.2021

DECLARATION OF CONFORMITY THE SUPPLY OF MACHINERY (SAFETY) REGULATIONS 2008

UK CA

PLUNGE ROUTER DWE625, DWE627

DEWALT declares that these products described under "technical data" are in compliance with:

The Supply of Machinery (Safety) Regulations, 2008, S.I. 2008/1597 (as amended), EN62841-1:2015 + AC:2015; EN62841-2-17:2017.

These products conform to the following UK Regulations Electromagnetic Compatibility Regulations, 2016, S.I.2016/1091 (as amended).

The Restriction of the Use of Certain Hazardous Substances in Electrical and Electronic Equipment Regulations 2012, S.I. 2012/3032 (as amended).

For more information, please contact DEWALT at the following address or refer to the back of the manual.

The undersigned is responsible for compilation of the technical file and makes this declaration on behalf of DEWALT.



Karl Evans
Vice President Professional Power Tools EANZ GTS
DEWALT UK, 270 Bath Road, Slough
Berkshire, SL1 4DX
England
08.09.2021



WARNING: To reduce the risk of injury, read the instruction manual.

Definitions: Safety Guidelines

The definitions below describe the level of severity for each signal word. Please read the manual and pay attention to these symbols.



DANGER: Indicates an imminently hazardous situation which, if not avoided, **will** result in **death or serious injury**.



WARNING: Indicates a potentially hazardous situation which, if not avoided, **could** result in **death or serious injury**.



CAUTION: Indicates a potentially hazardous situation which, if not avoided, **may** result in **minor or moderate injury**.

NOTICE: Indicates a practice **not related to personal injury** which, if not avoided, **may** result in **property damage**.



Denotes risk of electric shock.



Denotes risk of fire.

GENERAL POWER TOOL SAFETY WARNINGS



WARNING: Read all safety warnings, instructions, illustrations and specifications provided with this power tool. Failure to follow all instructions listed below may result in electric shock, fire and/or serious injury.

SAVE ALL WARNINGS AND INSTRUCTIONS FOR FUTURE REFERENCE

The term "power tool" in the warnings refers to your mains-operated (corded) power tool or battery-operated (cordless) power tool.

1) Work Area Safety

- Keep work area clean and well lit.** Cluttered or dark areas invite accidents.
- Do not operate power tools in explosive atmospheres, such as in the presence of flammable liquids, gases or dust.** Power tools create sparks which may ignite the dust or fumes.
- Keep children and bystanders away while operating a power tool.** Distractions can cause you to lose control.

2) Electrical Safety

- Power tool plugs must match the outlet. Never modify the plug in any way. Do not use any adapter plugs with earthed (grounded) power tools.** Unmodified plugs and matching outlets will reduce risk of electric shock.
- Avoid body contact with earthed or grounded surfaces, such as pipes, radiators, ranges and refrigerators.** There is an increased risk of electric shock if your body is earthed or grounded.
- Do not expose power tools to rain or wet conditions.** Water entering a power tool will increase the risk of electric shock.
- Do not abuse the cord. Never use the cord for carrying, pulling or unplugging the power tool. Keep cord away from heat, oil, sharp edges or moving parts.** Damaged or entangled cords increase the risk of electric shock.
- When operating a power tool outdoors, use an extension cord suitable for outdoor use.** Use of a cord suitable for outdoor use reduces the risk of electric shock.
- If operating a power tool in a damp location is unavoidable, use a residual current device (RCD) protected supply.** Use of an RCD reduces the risk of electric shock.

3) Personal Safety

- Stay alert, watch what you are doing and use common sense when operating a power tool. Do not use a power tool while you are tired or under the influence of drugs, alcohol or medication.** A moment of inattention while operating power tools may result in serious personal injury.

- b) **Use personal protective equipment. Always wear eye protection.** Protective equipment such as a dust mask, non-skid safety shoes, hard hat or hearing protection used for appropriate conditions will reduce personal injuries.
- c) **Prevent unintentional starting. Ensure the switch is in the off-position before connecting to power source and/or battery pack, picking up or carrying the tool.** Carrying power tools with your finger on the switch or energising power tools that have the switch on invites accidents.
- d) **Remove any adjusting key or wrench before turning the power tool on.** A wrench or a key left attached to a rotating part of the power tool may result in personal injury.
- e) **Do not overreach. Keep proper footing and balance at all times.** This enables better control of the power tool in unexpected situations.
- f) **Dress properly. Do not wear loose clothing or jewellery. Keep your hair and clothing away from moving parts.** Loose clothes, jewellery or long hair can be caught in moving parts.
- g) **If devices are provided for the connection of dust extraction and collection facilities, ensure these are connected and properly used.** Use of dust collection can reduce dust-related hazards.
- h) **Do not let familiarity gained from frequent use of tools allow you to become complacent and ignore tool safety principles.** A careless action can cause severe injury within a fraction of a second.
- g) **Use the power tool, accessories and tool bits etc. in accordance with these instructions, taking into account the working conditions and the work to be performed.** Use of the power tool for operations different from those intended could result in a hazardous situation.
- h) **Keep handles and grasping surfaces dry, clean and free from oil and grease.** Slippery handles and grasping surfaces do not allow for safe handling and control of the tool in unexpected situations.

5) Service

- a) **Have your power tool serviced by a qualified repair person using only identical replacement parts.** This will ensure that the safety of the power tool is maintained.

Safety Instructions for Routers

- a) **Hold the power tool by insulated gripping surfaces only, because the cutter may contact its own cord.** Cutting a “live” wire may make exposed metal parts of the power tool “live” and could give the operator an electrical shock.
- b) **Use clamps or another practical way to secure and support the workpiece to a stable platform.** Holding the work by your hand or against the body leaves it unstable and may lead to loss of control.
- c) **Keep handles dry, clean and free from oil and grease.** This will enable better control of the tool.
- d) **Maintain a firm grip with both hands on the tool to resist starting torque.** Maintain a firm grip on the tool at all times while operating.
- e) **Keep hands away from cutting area above and below the base. Never reach under the workpiece for any reason.** Keep the router base firmly in contact with the workpiece when cutting.
- f) **Never touch the bit immediately after use. It may be extremely hot.**
- g) **Be sure that the motor has stopped completely before you lay the router down.** If the bit is still spinning when the tool is laid down, it could cause injury or damage.
- h) **Be sure that the router bit is clear of the workpiece before starting the motor.** If the bit is in contact with the workpiece when the motor starts, it could make the router jump, causing damage or injury.
- i) **The permitted speed of the cutting bit must be at least equal to the maximum speed marked on the power tool.** If cutting bits run faster than their rated speed, they may break and fly off.
- j) **Always follow the bit manufacturer’s speed recommendations as some bit designs require specific speeds for safety or performance.** If you are unsure of the proper speed or are experiencing any type of problem, contact the bit manufacturer.
- k) **Do not use router bits with a diameter in excess of 50 mm (2”) in this tool.**

4) Power Tool Use and Care

- a) **Do not force the power tool. Use the correct power tool for your application.** The correct power tool will do the job better and safer at the rate for which it was designed.
- b) **Do not use the power tool if the switch does not turn it on and off.** Any power tool that cannot be controlled with the switch is dangerous and must be repaired.
- c) **Disconnect the plug from the power source and/or remove the battery pack, if detachable, from the power tool before making any adjustments, changing accessories, or storing power tools.** Such preventive safety measures reduce the risk of starting the power tool accidentally.
- d) **Store idle power tools out of the reach of children and do not allow persons unfamiliar with the power tool or these instructions to operate the power tool.** Power tools are dangerous in the hands of untrained users.
- e) **Maintain power tools and accessories. Check for misalignment or binding of moving parts, breakage of parts and any other condition that may affect the power tool’s operation. If damaged, have the power tool repaired before use.** Many accidents are caused by poorly maintained power tools.
- f) **Keep cutting tools sharp and clean.** Properly maintained cutting tools with sharp cutting edges are less likely to bind and are easier to control.

Residual Risks



WARNING: We recommend the use of a residual current device with a residual current rating of 30mA or less.

In spite of the application of the relevant safety regulations and the implementation of safety devices, certain residual risks cannot be avoided. These are:

- Impairment of hearing.
- Risk of personal injury due to flying particles.
- Risk of burns due to accessories becoming hot during operation.
- Risk of personal injury due to prolonged use.

SAVE THESE INSTRUCTIONS

Electrical Safety

The electric motor has been designed for one voltage only. Always check that the power supply corresponds to the voltage on the rating plate.



Your DEWALT tool is double insulated in accordance with EN62841; therefore no earth wire is required.

The DWE625 LX (115V) is intended to be used with a safety transformer manufactured to BSEN61558 and BS4343. Never work without this transformer in place.

If the supply cord is damaged, it must be replaced only by DEWALT or an authorised service organisation.

Mains Plug Replacement (U.K. & Ireland Only)

If a new mains plug needs to be fitted:

- Safely dispose of the old plug.
- Connect the brown lead to the live terminal in the plug.
- Connect the blue lead to the neutral terminal.



WARNING: No connection is to be made to the earth terminal.

Follow the fitting instructions supplied with good quality plugs. Recommended fuse for 230V U.K. plug: 13 A.

Fitting a Mains Plug to 115 V Units (U.K. and Ireland Only)

- The plug fitted should comply with BS EN 60309 (BS4343), 32 Amps.



WARNING: Always ensure that the cable clamp is correctly and securely fitted to the sheath of the cable.

Using an Extension Cable

If an extension cable is required, use an approved 3-core extension cable suitable for the power input of this tool (see **Technical Data**). The minimum conductor size is 1.5 mm²; the maximum length is 30 m.

When using a cable reel, always unwind the cable completely.

Package Contents

The package contains:

- 1 Router
- 1 Collet 12 mm (1/2" UK & ROI)
- 1 Parallel fence
- 2 Guide rods
- 1 Guide bush (30 mm)
- 1 22 mm wrench
- 1 SA Dust extraction tube
- 1 Remote Switch Box (DWE627 only)
- 1 Instruction manual
- 1 Fine adjustment
- Check for damage to the tool, parts or accessories which may have occurred during transport.
- Take the time to thoroughly read and understand this manual prior to operation.

Markings on Tool

The following pictograms are shown on the tool:



Read instruction manual before use.



Wear ear protection.



Wear eye protection.



Visible radiation. Do not stare into light.

Date Code Position (Fig. A)

The date code **56**, which also includes the year of manufacture, is printed into the housing.

Example:

2021 XX XX

Year and Week of Manufacture

Description (Fig. A)



WARNING: Never modify the power tool or any part of it. Damage or personal injury could result.

- 1 Speed control wheel
- 2 Main handles
- 3 On/off trigger switch
- 4 Thumb wheel
- 5 Height stop rod
- 6 Plunge lock lever
- 7 Quick release button
- 8 Spindle lock button
- 9 Collet assembly
- 10 Base plate

- 11 Multiple position turret stop
- 12 Depth stop bar
- 13 22 mm wrench
- 14 Quick zero reset ring
- 15 Quick height adjuster lock
- 16 Quick height adjuster
- 17 Pointer
- 18 Fine adjuster
- 19 Fine zero reset ring
- 20 Lock on button switch

Intended Use

The DWE625 and DWE627 routers have been designed for professional heavy duty routing of wood, wood based materials and plastics.

These routers are intended for routing grooves, edges, profiles and slots as well as copy routing.


DO NOT use under wet conditions or in the presence of flammable liquids or gases.

The DWE625 and DWE627 are professional power tools.

The DWE627 is designed so that it can be installed into a router table. The router may only be installed in tables that meet the legal safety requirements for router tables.

DO NOT let children come into contact with the tool. Supervision is required when inexperienced operators use this tool.

- **Young children and the infirm.** This appliance is not intended for use by young children or infirm persons without supervision.
- This product is not intended for use by persons (including children) suffering from diminished physical, sensory or mental abilities; lack of experience, knowledge or skills unless they are supervised by a person responsible for their safety. Children should never be left alone with this product.


 **CAUTION:** Before operating any of the controls, read the following sections.


Plunge Lock Lever (Fig. B)

The plunge lock lever 6 allows you to stop the working bit at a specified height.

1. Press down the plunge lock lever 6 until you hear an audible "Click" when you want to lower the router bit into the workpiece.
2. You can lower the unit until it reaches your preset stop.
3. To lock the tool in place along its vertical travel, press quick release button 7.

Collets (Fig. C)

 **WARNING:** Projectile hazard. Only use bits with shanks that match the installed collet. Smaller shank bits will not be secure and could become loose during operation.


 **CAUTION:** Never tighten the collet without first installing a router bit in it. Tightening an empty collet, even by hand, can damage the collet.

A collet is included with this router.

- 12 mm : Europe
- 1/2" : Great Britain

1. To change collets 35, unscrew the collet assembly 9.
2. Sharply pull the old collet out of the collet nut 36 and insert the new collet 35.
3. Push firmly so that the new collet snaps past the retainer spring in the collet nut.

Multiple Position Turret Stop (Fig. E)

 **WARNING:** Do not change the turret stop while the router is running. This will place your hands too near the cutter head.

The turret stop 11 limits the downward distance that the tool can be plunged. It consists of three screws of different lengths that serve to define the depth of cut by limiting the travel of the depth stop bar 12.

1. Routing depth can be set by selecting the screw of the appropriate length on the turret.
2. The turret is rotatable with detent stops to properly align the screws.
3. It is the interaction of the depth stop bar and the turret stop that determine the routing depth.
4. If none of the provided screws seems close to the desired height each can be adjusted by loosening the hex nut at the bottom and then turning the screw either in or out to make it the proper length. After adjusting this screw be sure to tighten the hex nut at the bottom with the an 8 mm wrench 55.
5. Refer to section **Setting the Routing Depth** for instructions on how to use the turret stop in an actual operation.


Height Stop Rod and Height Stop Thumb Wheel (Fig. G)

The height stop rod 5 and thumb wheel 4 limit how high the unit can travel up the rails. The system is adjustable from full down where the unit cannot rise regardless of the position of the plunge release lever to full up where the bottom of the collet is 80 mm (3-5/32") above the workpiece.

For convenience, the thumb wheel is equipped with a quick release button 23 that allows you to disengage the threads for fast positioning by simply depressing the button in the side of the wheel.

NOTE: It is easier to move the height stop thumb wheel UP if the plunge release lever is locked and easier to move the thumb wheel down if the unit is first moved down by releasing the plunge release lever and then tightening it.

ASSEMBLY AND ADJUSTMENTS

 **WARNING:** To reduce the risk of serious personal injury, turn tool off and disconnect tool from power source before making any adjustments or removing/installing attachments or accessories. An accidental start-up can cause injury.

Installing and Removing a Cutter (Fig. C, F)



WARNING: Do not tighten the collet without a cutter fitted.



WARNING: Always use cutters with shanks which match the diameter of the collet.



WARNING: Do not use cutters larger than 50 mm (2") unless the router is fitted in a router table.



CAUTION: Care should be taken when removing cutter to avoid cuts to fingers.

Installing a Cutter

1. Insert at least three fourths of the shank length of the cutter into the collet assembly **9**.
2. Press the spindle lock **8** forward until the router spindle is locked.
NOTE: You may need to turn the spindle slightly to engage it.
3. Turn the collet nut **36** counterclockwise with the supplied 22 mm wrench **13** to tighten it.

Removing a Cutter

1. Press the spindle lock button **8** forward until the router spindle is lock.
2. Turn the collet nut **9** clockwise with the supplied 22 mm wrench **13** to loosen.
3. Keep turning the wrench until the collet nut tightens and then loosens again. This is the fail-safe mechanism releasing the collet.
4. The cutter should now slide out.
NOTE: Each time you finish using a cutter, remove it and store it in a safe place.

Fine Height Adjuster (Fig. A, D, E)



CAUTION: Ensure that the plunge locking lever is unlocked. Never use unnecessary force to rotate the fine height adjuster mechanism.



CAUTION: Do not remove the screw on hex nuts.

The fine height adjuster can be used in portable mode or when the router is held inside a table.

Adjusting the Depth of Cut (Fig. A, D, E)

Your router is equipped with a high-precision depth adjustment system including a zero reset ring for both the quick height adjuster and the fine height adjuster.

Quick Adjustment Using the Graduation with Zero Reset Ring

1. Loosen the depth stop quick height adjuster knob **15**.
2. Unlock the plunge limiter by pushing the release lever **6** down.
3. Lower the router carriage until the cutter is in contact with the workpiece.
4. Press the quick locking button **7**.
5. Set the quick height adjuster **16** to zero and reset the fine adjust reset ring **19** to zero. The depth stop bar **12** must be in contact with the turret stop **11**.

6. Adjust the depth of cut using the quick height adjuster **16** and the corresponding graduation. The adjusted depth of cut is indicated by the pointer **17**.
7. Tighten the quick height adjuster lock **15**.

Fine Adjustment

When not using a depth template, or if the depth of cut needs readjustment, it is recommended to use the fine height adjuster **18**.

1. Adjust the depth of cut as described in **Adjusting the Depth of Cut**.
2. Set the fine height adjuster to zero using the fine zero reset ring **19**.
3. Rotate the fine height adjuster **18** to the required position: one turn corresponds to approximately 1 mm and 1 mark to 0.1 mm.

Fitting a Guide Bush (Fig. H)

Together with a template, guide bushes play a valuable part in cutting and shaping to a pattern.

- Fit the guide bush **24** to the router base **10** using the screws **25** as shown.

Fitting the Parallel Fence (Fig. I, J)

1. Fit the guide rod **26** to the router base **10**.
2. Slide the parallel fence **27** over the rods.
3. Tighten the wing bolts **28** temporarily.

Adjusting the Parallel Fence (Fig. A, I, J)

1. Draw a cutting line on the material.
2. Lower the router carriage until the cutter is in contact with the workpiece.
3. Push quick release button **7** and limit the carriage return using the thumb wheel **4**.
4. Position the router on the cutting line.
5. Slide the parallel fence **27** against the workpiece and tighten the wing bolts **28**.
6. Adjust the parallel fence using the fine adjustment knob **29**. The outer cutting edge of the cutter must coincide with the cutting line.
7. If required, loosen the screws **30** and adjust the strips **31** to obtain the desired guiding length.



Dust Extraction (Fig. A, K, P)

Dust from materials such as lead-containing coatings and some wood types, can be harmful to one's health. Breathing-in the dust can cause allergic reactions and/or lead to respiratory infections of the user or bystanders.

Certain dust, such as oak or beech dust, is considered carcinogenic, especially in connection with wood-treatment additives.

Observe the relevant regulations in your country for the materials to be worked.

The vacuum cleaner must be suitable for the material being worked.

When vacuuming dry dust that is especially detrimental to health or carcinogenic, use dust class M vacuum cleaner.

Connecting Dust Extraction Adaptor (Fig. K)

The dust extraction adaptor consists of a main section **32**, a cover **33**, an extraction tube adaptor **34**, one extraction tube screw **37**, two base screws **52** and two nuts **53**.

1. Slide the cover **33** onto the main section **32** until it clicks into place.
2. Place the main section **32** on the base and secure with two screws **52** and nuts **53**.
3. Remove screw **37** from the top of the router and use this screw to assemble the extraction tube adaptor **34** to the router.

Connecting Dust Extractor Hose (Fig. P)

WARNING: Risk of dust inhalation. To reduce the risk of personal injury, **ALWAYS** wear an approved dust mask. A dust extraction tube adaptor **34** is supplied with your tool.

Vacuum hoses on most vacuum extractors will fit directly into the dust extraction spout.

WARNING: **ALWAYS** use a vacuum extractor designed in compliance with the applicable directives regarding dust emission when sawing wood. Vacuum hoses of most common vacuum cleaners will fit directly into the dust extraction outlet.

1. Connect a dust extractor hose **38** to the extraction tube adaptor **34** using the DEWALT AirLock system.

NOTE: When using dust extraction, be sure that the dust extractor is out of the way and secure so that it will not tip over or interfere with the router or workpiece. The dust extractor hose and power cord must also be positioned so that they do not interfere with the router or workpiece. If the dust extractor or dust extractor hose cannot be positioned properly, it should be removed.

OPERATION

Instructions for Use

WARNING: Always observe the safety instructions and applicable regulations.

WARNING: To reduce the risk of serious personal injury, turn tool off and disconnect tool from power source before making any adjustments or removing/installing attachments or accessories. An accidental start-up can cause injury.

Proper Hand Position (Fig. O)

WARNING: To reduce the risk of serious personal injury, **ALWAYS** use proper hand position as shown.

WARNING: To reduce the risk of serious personal injury, **ALWAYS** hold securely in anticipation of a sudden reaction.

Proper hand position requires both hands on the main handles **2**.

Using the Router (Fig. A, L)

CAUTION: Turn the router on before plunging the cutter

head into the workpiece.

CAUTION:

- Excessive cutting may cause overload of the motor or difficulty in controlling the tool, the depth of cut should not be more than 15 mm (19/32") at a pass when cutting grooves with a 8 mm (5/16") diameter bit.
- When cutting grooves with a 20 mm (25/32") diameter bit, the depth of cut should not be more than 5 mm (3/16") at a pass.
- For extra deep grooving, make two or three passes with progressively deeper bit settings.

CAUTION:

- After long periods of working at low speeds, allow the machine to cool down by running it for three minutes at maximum speed, with no load.

All common routing tasks can be performed with the plunge cut router on all types of wood and plastic:

- Grooving
- Rabbeting
- Recessing
- Veining
- Profiling

To prevent overload of the tool by using the wrong speed selection, follow the recommended settings below:

MATERIAL	CUTTER DIAMETER	
	10 - 30 mm	30 - 50 mm
	SPEED SELECTION	
Hardwood	7 - 5	6 - 2
Softwood	7 - 6	7 - 5
Chipboard Faced	7 - 6	7 - 4
Plastic	7 - 5	7 - 4

NOTE: Only carbide-tipped cutters should be used on panels faced with plastic laminates. The hard laminates will quickly dull steel cutters.

NOTE: For better plunge sliding movement, frequently clean the columns of dust or debris. If the plunging movement is not moving as smooth as desired, lubricate the columns with a dry teflon lubricant.

1. After setting the cutting depth as described, locate the router such that the bit is directly over the place you will be cutting.
2. With the router running, lower the unit smoothly down into the workpiece. **DO NOT JAM THE ROUTER DOWN.**
3. When the tool reaches the pre-set depth, push the quick release button **7** to lock.
4. When you have finished routing, push the plunge lock lever **6** to unlock and let the spring lift the router directly out of the workpiece.
5. Always feed the router opposite to the direction in which the cutter is rotating. Refer to Fig. L.

On/Off Trigger Switch (Fig. A)



WARNING: To reduce the risk of serious personal injury, turn unit off and disconnect it from power source before making any adjustments or removing/installing attachments or accessories. An accidental start-up can cause injury.

- To turn the unit on, squeeze the on/off trigger switch **3**. Continue to squeeze the trigger switch or press the lock on button switch **20** for continuous running.
- To turn the unit off:
 - If lock on trigger is engage, release the lock on button by squeezing and releasing trigger.
 - If the lock on switch is not engage, fully release the trigger.

Variable Speed Dial (Fig. A)



WARNING: If the speed control ceases to operate, or is intermittent, stop using the tool immediately. Take it to a DEWALT factory or authorized service facility for repair.

NOTICE: The router is equipped with electronics to monitor and maintain the speed of the tool while cutting. In low and medium speed operation, the speed control prevents the motor speed from decreasing. If you expect to hear a speed change and continue to load the motor, you could damage the motor by overheating. Reduce the depth of cut and/or slow the feed rate to prevent tool damage.

Refer to the **Speed Selection Chart** to choose a router speed. Turn the speed dial **1** to control router speed. The speed is variable from 9000 to 22000 rpm using the speed dial **1**.

- Turn the speed dial to the required position. The dial is numbered from 1–7 and corresponds to router speeds of 9000 rpm to 22000 rpm.
- Use the slower settings for large diameter cutters and the faster settings for small diameter cutters.
- The correct setting will also depend on the density of the material, depth of cut and feed speed of the router.

NOTE: A noticeable loss of motor rpm means motor overload.

SPEED SELECTION CHART

DIAL SETTING	APPROXIMATE RPM
1	9000
2	11000
3	13000
4	15000
5	18000
6	20000
7	22000

The speeds in this chart are approximate and are for reference only. Your router may not produce the exact speed listed for the dial setting.



WARNING: Always follow the bit manufacturer's speed recommendations as some bit designs require specific speeds for safety or performance.

If you are unsure of the proper speed or are experiencing any type of problem, contact the bit manufacturer.



LED Worklight (Fig. F)



CAUTION: Do not stare into worklight. Serious eye injury could result.

Two LED worklights **57** are located next to the collet assembly **9**.

- The worklights **57** will constantly illuminate when the router is connected to the mains power supply.
- To switch off the worklights the router must be disconnected from mains power supply.

NOTE: The worklight is for lighting the immediate work surface and is not intended to be used as a flashlight.

Setting Plunge Lock System (Fig. B)

The plunge is fully automatically locking for all cuts. For heavy cut operations, ensure to push the lever towards the tool body. The plunge lock lever **6** position is set at the factory so the lever does not touch the motor body, if the plunge lock lever begins to hit the body when the quick release lever is pushed, readjust the locking lever position as follows:

- Push in quick release button **7**. The plunge lever lock will unlock automatically.
- Using a Torx 20 star bit **39**, loosen the shoulder screw **54** on the plunge lock lever **6** with six counterclockwise turns. **Do not fully remove.**
- Lift the plunge lock lever, rotate and reposition the plunge lock lever at position 2 (at eleven o'clock).
- Tighten the shoulder screw.
- If after setting to position 2 sliding is not correct, repeat steps 1 to 3 and reposition the lock lever at position 1. Tighten the shoulder screw.

Moulding Natural Timbers



WARNING: When routing always lock the plunge locking lever.

When edge moulding natural timbers, always mould the end grain first, followed by the long grain. This ensures that if there is breakout, it will be removed when the long grain is routed.

Setting the Routing Depth (Fig. D, E)

- Place the router with cutter fitted on to the workpiece.
- Set the multiple position turret stop **11** as required.
- Loosen the knob quick adjustment **15** securing the depth stop **12**.
- Push down the plunging lock lever **6** to start plunging.
- Lower the router slowly until the cutter touches the workpiece and secure it in place by pushing quick release button **7**.

- Rotate the quick height adjuster **16** until the depth stop bar **12** touches multiple turret stop **13**. Secure in position by tightening the quick height adjuster lock **15**.
- If the depth of cut needs re-adjustment, it is recommended to use quick depth adjuster **16** for gross settings, or the fine height adjuster for accurate settings.
- Adjust the depth of cut using the fine height adjuster **18**.
NOTE: One turn of the fine height adjuster **18** corresponds to 1 mm (3/64"), one turn of the quick height adjuster **15** corresponds to 40 mm (1-1/2")
- Read the depth of cut using the quick zero reset ring **14** and fine zero reset ring **19**.
- The distance between the top of the revolving depth stop and the bottom of the depth stop is the required depth of cut.
- The rotating turret stop screws **11** can be used for setting up to three depths of cut. The height can be adjusted using a flat screwdriver and a 8 mm (5/16") wrench.
NOTE: By rotating the turret stop, three depth settings can be quickly made.

Fine Height Adjuster (Fig. D)

This router has a built in fine height adjuster. This should be used when fine height adjustment of the cutter is required. This is especially recommended when using dovetail jigs or router tables.

Direction Of Feed (Fig. L)



WARNING: Avoid climb-cutting (cutting in direction opposite than shown in Fig. L). Climb-cutting increases the chance for loss of control resulting in possible injury. When climb-cutting is required (backing around a corner), exercise extreme caution to maintain control of router. Make smaller cuts and remove minimal material with each pass.

The direction of feed is very important when routing and can make the difference between a successful job and a ruined project. Fig. L show proper direction of feed for most cuts.

- When routing along an edge, the direction of the router travel should be against that of the rotation of the cutter. This will create the correct cutting action and prevent the cutter from snatching. It will also pull the router towards the workpiece and the side fence or guide bearing will be less likely to wander from the edge of the workpiece.

Feed Speed

The speed at which the cutter is fed into the wood must not be too fast that the motor slows down, or too slow that the cutter leaves burn marks on the face of the wood.

NOTE: Practice judging the speed by listening to the sound of the motor when routing.

Sequence of Plunging



WARNING: When routing always lock the plunge locking lever.

- Plunge down and lock the motor carriage, by pushing quick release button **7**.
- Perform the desired routing operation.
- Push down the plunge lock lever **6** and the motor carriage returns to the normal position.

Using a Side Fence (Fig. M)



CAUTION: Ensure working position is comfortable and at a suitable working height.

- Ensure the wing bolts **28** are fully released. Slide the guide rods **26** into the routing base **10** and tighten the wing bolts.
- Adjust the fence fine adjustment knob **29** to the required distance and clamp in place with the wing bolts **28**.
- Then lower the cutter height until the cutter is just above the workpiece.
- Fine adjustments are possible by loosening the wing bolt **28** and adjusting the side fence fine adjustment knob **29**.
- Tighten the wing bolt **28** to secure the position.
NOTE: One revolution of the side fence fine adjustment knob **29** equals 3/64" (1.0 mm) of side feed.
- Lower the cutter onto the workpiece and set the cutter height by to the required distance. Refer to **Setting the Router Depth**.
- Switch the router on and after the cutter reaches full speed, gently lower the cutter into the workpiece and lock the plunge.
- Feed along the workpiece, keeping sideways pressure to ensure the side fence does not wander away from the workpiece edge and downward pressure on the inside hand to prevent the router from tipping.
- When finished, raise the router, secure with the plunge locking lever **6** and switch the router off.
NOTE: When starting the cut, keep the pressure on the front cheek until the back cheek contacts the workpiece edge.
NOTE: At the end of the cut, keep pressure on the back cheek until the cut is finished. This will prevent the router cutter swinging in at the end of the workpiece and nipping the corner.

Side Fence Routing (Fig. I, J)

The side fence is used to guide the router when moulding, edge profiling or rebating the edge of a workpiece or when routing grooves and slots in the center of the workpiece, parallel to the edge.

The edge of the workpiece must be straight and true.

The strips **31** are adjustable and should be set ideally with a 1/8" (3 mm) gap each side of the cutter.

Guiding Off a Batten

Where an edge guide cannot be used, it is also possible to guide the router along a batten clamped across the workpiece (with an overhang at both ends.)

Freehand Routing



WARNING: Make shallow cuts only!

Use cutters with a max. diameter of 12 mm.

Your router can also be used without any sort of guide, e.g. for signwriting or creative work.

Table Mode (Fig. Q)

(DWE627 ONLY)



WARNING: Before DWE627 is installed into the router table, check that the router table meets all of the legal safety requirements for router tables. Read all safety warnings, instructions, and specifications provided with the router table. Failure to follow all instructions and safety rules may result in electric shock, fire and/or serious injury.



WARNING: To reduce the risk of serious personal injury, turn unit off and disconnect it from power source before making any adjustments or removing/installing attachments or accessories. An accidental start-up can cause injury.



WARNING: Do not use the DWE627 as a handheld router if the power switch box is connected.



CAUTION: If there is dust inside the power switch socket, clean it out before using the power switch box.

1. To connect the power switch box 42 to the router, disconnect the tool from its power source.
2. Attach the power switch box 42 to the workbench in a position easily accessible by hand and where unintentional switching on is prevented.
NOTE: The external switch can be secured to the router table with the four mounting holes.
3. The cable must be installed and fastened in such a way that it cannot be squeezed or touch sharp edges.
4. Push in on the lock button 43 located on the left side handle 44 with a pen or a small screwdriver to unlock the handle cap 45.
NOTE: If there is dust inside the power switch socket, clean it out before using the power switch box.
5. Keep pushing the lock button 43 in and rotate the handle cap 45 to access the power switch socket 46.
6. Ensure the paddle switch of the power switch box is in the off position before connecting to the power switch socket.
7. Connect power switch box plug 47 to the power switch socket 46.
8. Thread the ring nut 48 of power switch box plug 47 to the power switch socket 46 to lock it securely in place.
9. Attach the plunge router under the workbench, as required per your application or the instruction for the router table.
10. Plug the tool back into its power source. The router can now switched on and off by acting on paddle 49 on the power switch box 42.
11. Pull out the paddle 49 to start the tool and push in the paddle to switch it off.

Depth Adjustment with the Router Installed in Inverted Position (Fig. G)



WARNING: For installing the router in inverted position, refer to the relevant instruction manual on the stationary tool.

1. Remove the cap nut 51 and the thumb wheel 4 and replace it with the height adjusting tool (DE6966) available as an option.
2. Screw the threaded end of the height adjusting tool to the height stop rod 5.
3. Set the depth of cut using the adjuster on the height adjusting tool.

Routing with Pilot Cutters (Fig. R)

Where a parallel guide or guide bush are inappropriate, it is possible to use pilot cutters 50 for cutting shaped edges. These include collets (12 – 12.7 mm), a height adjusting tool and router table for use in inverted position, finger jointing tools for dovetail and finger jointing jigs, dovetail jointing templates, adjustable guide bush holder and guide bushes and guide rails in various lengths.

MAINTENANCE

Your power tool has been designed to operate over a long period of time with a minimum of maintenance. Continuous satisfactory operation depends upon proper tool care and regular cleaning.



WARNING: To reduce the risk of serious personal injury, turn tool off and disconnect tool from power source before making any adjustments or removing/installing attachments or accessories. An accidental start-up can cause injury.

Repairs



WARNING: To assure product SAFETY and RELIABILITY, repairs, maintenance and adjustment (including power cord repairs, and brush inspection and replacement, when applicable) should be performed by a DEWALT factory service center or a DEWALT authorized service center. Always use identical replacement parts.



Lubrication

Your power tool requires no additional lubrication.



Cleaning



WARNING: Blow dirt and dust out of the main housing with dry air as often as dirt is seen collecting in and around the air vents. Wear approved eye protection and approved dust mask when performing this procedure.



WARNING: Never use solvents or other harsh chemicals for cleaning the non-metallic parts of the tool. These chemicals may weaken the materials used in these parts. Use a cloth dampened only with water and mild soap. Never let any liquid get inside the tool; never immerse any part of the tool into a liquid.


Optional Accessories



WARNING: Since accessories, other than those offered by DeWALT, have not been tested with this product, use of such accessories with this tool could be hazardous. To reduce the risk of injury, only DeWALT recommended accessories should be used with this product.

Consult your dealer for further information on the appropriate accessories.

Base Mounting Points for Accessories (Fig. N)

This router has three threaded holes  built into the base that allows it to attach to other accessories.

Protecting the Environment



Separate collection. Products marked with this symbol must not be disposed of with normal household waste.

Products contain materials that can be recovered or recycled reducing the demand for raw materials.

Please recycle electrical products according to local provisions. Further information is available at www.2helpU.com.

Belgique et Luxembourg België en Luxemburg	DeWALT - Belgium BVBA Egide Walschaertsstraat 16 2800 Mechelen	Tel: NL 32 15 47 37 63 Tel: FR 32 15 47 37 64 Fax: 32 15 47 37 99	www.dewalt.be enduser.BE@sbdinc.com
Danmark	DeWALT (Stanley Black&Decker AS) Roskildevej 22 2620 Albertslund	Tel: 70 20 15 10 Fax: 70 22 49 10	www.dewalt.dk kundeservice.dk@sbdinc.com
Deutschland	DeWALT Richard Klingler Str. 11 65510 Idstein	Tel: 06126-21-0 Fax: 06126-21-2770	www.dewalt.de infodwge@sbdinc.com
Ελλάς	DeWALT (Ελλάς) A.E. ΕΔΡΑ-ΓΡΑΦΕΙΑ : Στραβίωνος 7 & Α. Βουλιαγμένης, Γλυφάδα 166 74, Αθήνα SERVICE : Ημερος Τόπος 2 (Χάιν Αόδου) – 193 00 Ασπίστηριος	Τηλ: 00302108981616 Φαξ: 00302108983570	www.dewalt.gr Greece.Service@sbdinc.com
España	DeWALT Ibérica, S.C.A. Parc de Negocios "Mas Blau" Edificio Muntadas, c/Bergadà, 1, Of. A6 08820 El Prat de Llobregat (Barcelona)	Tel: 934 797 400 Fax: 934 797 419	www.dewalt.es respuesta.postventa@sbdinc.com
France	DeWALT (Stanley Black & Decker France SAS) 62 Chemin de la Bruyère CS 60105, 69574 DARDILLY Cedex	Tel: 04 72 20 39 20 Fax: 04 72 20 39 00	www.dewalt.fr scufi@sbdinc.com
Schweiz Suisse Svizzera	DeWALT In der Luberzen 42 8902 Urdorf	Tel: 044 - 755 60 70 Fax: 044 - 730 70 67	www.dewalt.ch service@rofoag.ch
Ireland	DeWALT Building 4500, Kinsale Road Cork Airport Business Park Cork, Ireland	Tel: 00353-2781800 Fax: 01278 1811	www.dewalt.ie Sales.Ireland@sbdinc.com
Italia	DeWALT via Energypark 6 20871 Vimercate (MB), IT	Tel: 800-014353 39 039-9590200 Fax: 39 039-9590311	www.dewalt.it
Nederlands	DeWALT Netherlands BVPostbus 83, 6120 AB BORN	Tel: 31 164 283 063 Fax: 31 164 283 200	www.dewalt.nl
Norge	DeWALT Postboks 4613 0405 Oslo, Norge	Tel: 45 25 13 00 Fax: 45 25 08 00	www.dewalt.no kundeservice.no@sbdinc.com
Österreich	DeWALT Werkzeug Vertriebsges m.b.H Oberlaaerstrasse 248, A-1230 Wien	Tel: 01 - 66116 - 0 Fax: 01 - 66116 - 614	www.dewalt.at service.austria@sbdinc.com
Portugal	DeWALT Ed. D Dinis, Quina da Fonte Rua dos Malhoes 2 2A 2º Esq. Oeiras e S. Juliao da Barra, paço de Arcos e Caxias 2770 071 Paço de Arcos	Tel: +351 214667500 Fax: +351214667580	www.dewalt.pt resposta.posvenda@sbdinc.com
Suomi	DeWALT PL47 00521 Helsinki, Suomi	Puh: 010 400 4333 Faksi: 0800 411 340	www.dewalt.fi asiakaspalvelu.fi@sbdinc.com
Sverige	DeWALT BOX 94 43122 Mölndal Sverige	Tel: 031 68 61 60 Fax: 031 68 60 08	www.dewalt.se kundservice.se@sbdinc.com
Türkiye	Sanayi ve Ticaret Bakanlığı tebliğince kullanım ömrü 7 yıldır. Stanley Black & Decker Turkey Alet Üretim San. Tic. Ltd.Şti. AND Kozyatağı – İçerenköy Mah. Umut Sok. AND Ofis Sit. No: 10-12 / 82-83-84 Ataşehir/İstanbul, Türkiye	Tel: +90 216 665 2900 Faks: +90 216 665 2901	www.dewalt.com.tr support@dewalt.com.tr
United Kingdom	DeWALT, 270 Bath Road; Slough, Berks SL1 4DX	Tel: 01753-567055 Fax: 01753-572112	www.dewalt.co.uk emeaservice@sbdinc.com
Australia	DeWALT 810 Whitehorse Road Box Hill VIC 3128 Australia	Tel: Aust 1800 338 002 Tel: NZ 0800 339 258	www.dewalt.com.au www.dewalt.co.nz
Middle East Africa	DeWALT P.O. Box - 17164, Jebel Ali Free Zone (South), Dubai, UAE	Tel: 971 4 812 7400 Fax: 971 4 2822765	www.dewalt.ae support@dewalt.ae