



T18S/ID

EN Original Instructions	P.5
DE Übersetzung Der Originalanleitung	P.16
FR Traduction Des Instructions Originales	P.28
NL Vertaling Van De Originele Instructies	P.40
SE Översättning Av De Ursprungliga Instruktionerna	P.51



Fig. 1

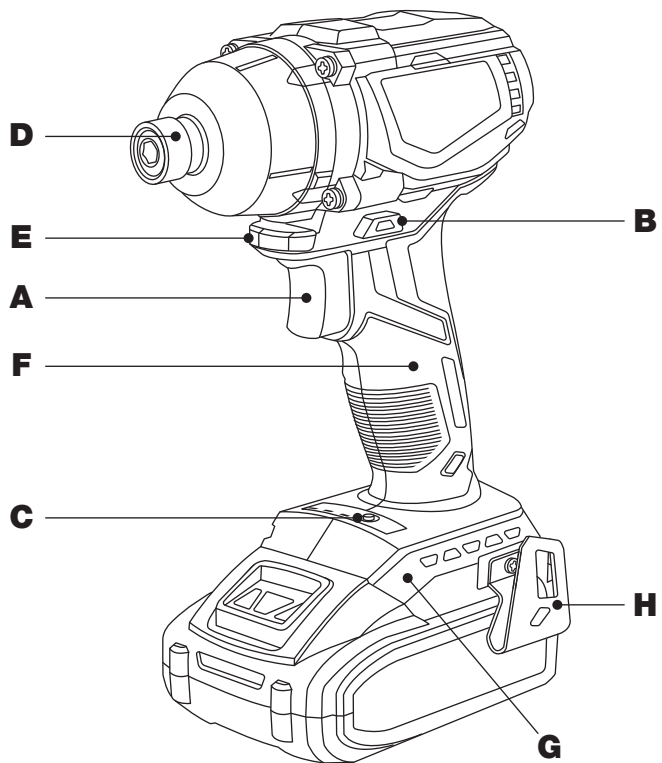


Fig. 2

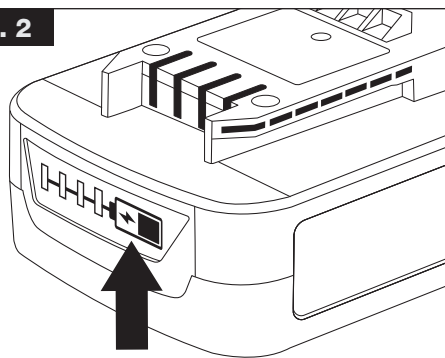


Fig. 2a



Fig. 3

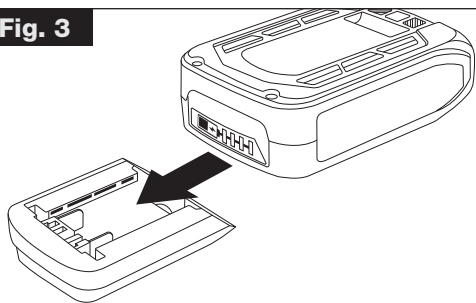


Fig. 3a

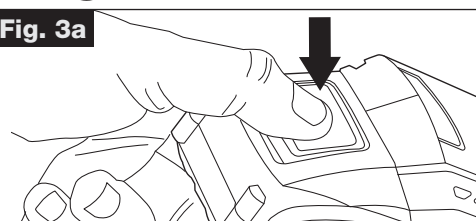


Fig. 4

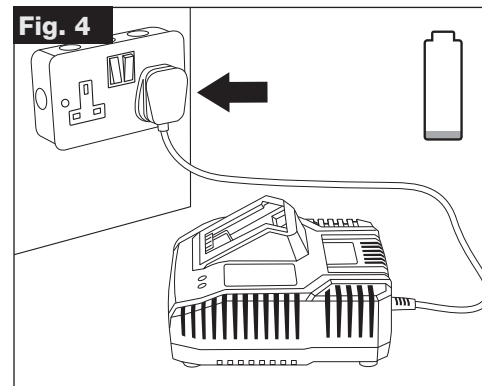


Fig. 4a

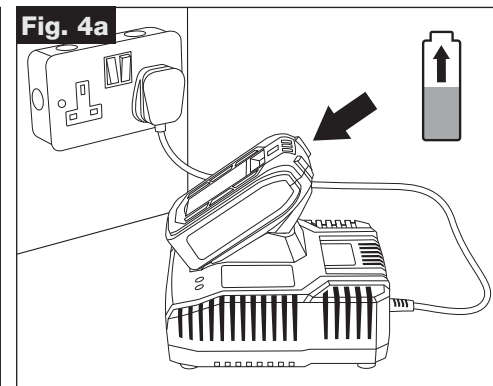


Fig. 4b

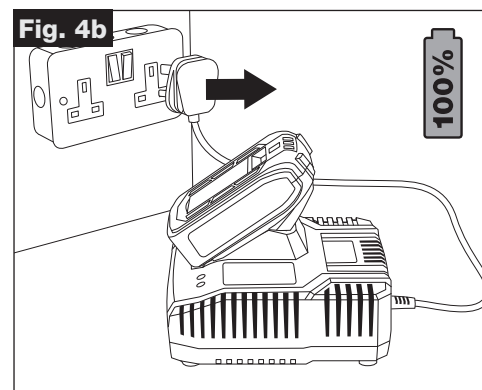


Fig. 4c

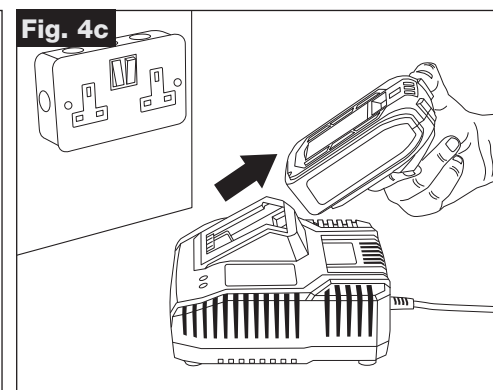
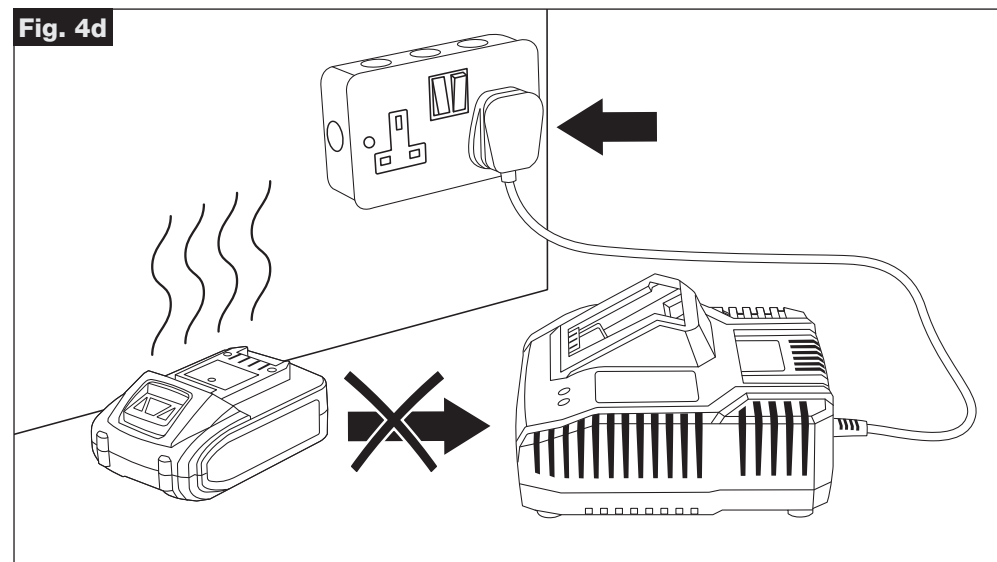
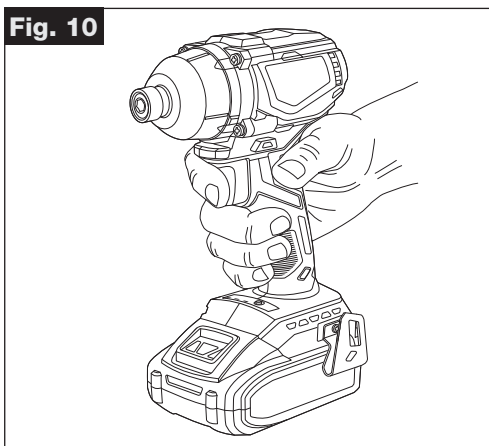
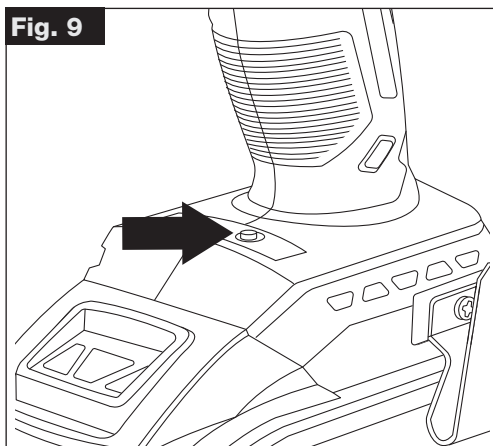
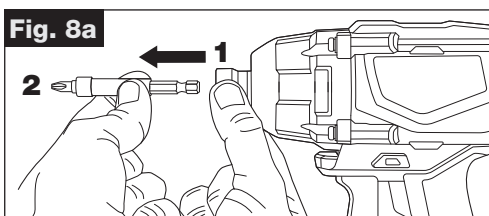
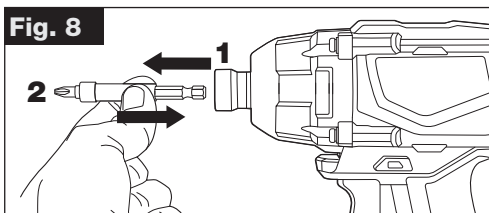
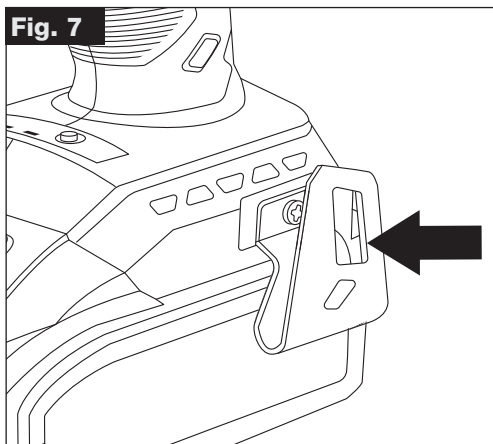
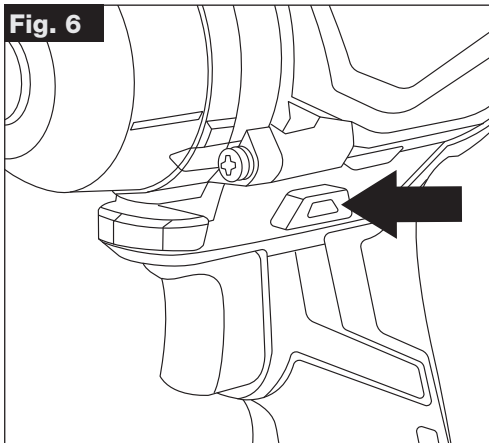
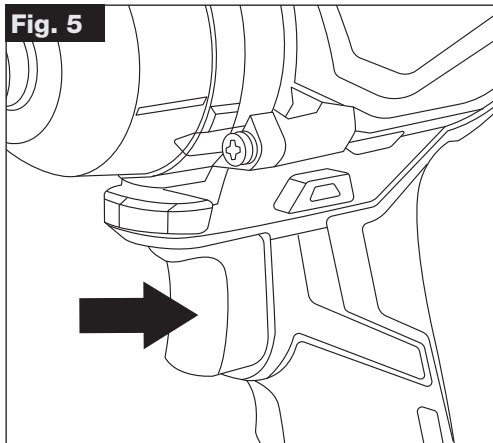


Fig. 4d





EN - T18S/ID

Thank you for purchasing this Trend product, we hope you enjoy many years of creative and productive use.

Please remember to return your guarantee card within 28 days of purchase.

TECHNICAL DATA

Voltage	VDC	18
Battery type		Li-Ion
Chuck size	Inch	1/4
No load speed	min-1	2,400 – 2,800
Weight	kg	1.13
Max torque	Nm	130
Impact rate	ipm	3000
Battery*		
Capacity of the battery	Ah	2
	Ah	4
	Ah	5
Charger*		
Input voltage	V	220 - 240
Mains frequency	Hz	50/60
Output voltage	VDC	21
Output Current	A	6
Charge time T18S/BA2**	min	32
Charge time T18S/BA4AM**	min	48
Charge time T18S/BA5A**	min	54
* only for models equipped with battery and charger		
** charging time applies only to the battery with a capacity listed in table		
Noise values and vibration values (triax vector sum) according to EN 62841-2-2		

Emission sound pressure level L _{pA}	dB (A)	78.1
Sound power level L _{WA}	dB (A)	89.1
K _{pA} (uncertainty for the given sound pressure)	dB (A)	3
Vibration emission Value ah =	m/s ²	8.58
Uncertainty K =	m/s ²	1.5

The vibration and/or noise emission level given in this information sheet has been measured in accordance with a standardised test given in EN62841 and may be used to compare one tool with another. It may be used for a preliminary assessment of exposure.

⚠ WARNING: The declared vibration emission level represents the main application of the tool. However if the tool is used for different applications, with different accessories or poorly maintained, the vibration emission may differ. This may significantly increase the exposure level over the total working period. An estimation of the level of exposure to vibration should also take into account the times when the tool is switched off or when it is running but not actually doing the job. This may significantly reduce the exposure level over the total working period. Identify additional safety measures to protect the operator from the side effects of vibration such as: maintain the tool and the accessories, keep hands warm, organisation of work patterns.

**EC DECLARATION OF CONFORMITY
MACHINERY DIRECTIVE**



CORDLESS IMPACT DRIVER

T18S/IDB

Trend declares that the product described under Technical Data is in compliance with 2006/42/EC, and has been designed in accordance with EN 62841-2-2:2014, EN 62841-1:2015.

This product also complies with Directives 2014/30/EU and 2011/65/EU.

For more information please contact Trend at the following address or refer to back of manual. The undersigned make this declaration on behalf of Trend Tool Technology Ltd.

Neil McMillan
Technical Director

Trend Tool Technology Ltd,
Odhams Trading Estate,
Watford, WD24 7TR,
England

Technical File Contact
Trend Tool Technology Ltd,
3rd Floor, Kilmore House,
Park Lane, Spencer Dock,
Dublin 1, Ireland

01.08.2021

**UK UK DECLARATION OF
CA CONFORMITY**

The undersigned, representing the following manufacturer

Manufacturer:

Trend Tool Technology Ltd, Watford, England WD24 7TR declares that the product(s):

Product Identification:

Product: Cordless Impact Driver
Brand: Trend
Model: T18S/ID

Conforms to the following UK Regulations:

- The Supply of Machinery (Safety) Regulations, 2008, S.I. 2008/1597 (as amended).
- Electromagnetic Compatibility Regulations, 2016, S.I. 2016/1901 (as amended).
- The Restriction of the Use of Certain Hazardous Substances in Electrical and Electronic Equipment Regulations 2012, S.I. 2012/3032 (as amended).

and the following Designated Standards:

S.I. 2008/1597: EN 62841-1:2015
EN 62841-2-2:2014

The undersigned is responsible for compilation of the technical file and makes this declaration on behalf of Trend Tool Technology Ltd.



Neil McMillan
Technical Director

Trend Tool Technology Ltd,
Odhams Trading Estate,
Watford, WD24 7TR, England

01.08.2021



WARNING: To reduce the risk of injury, read the instruction manual.

Definitions: Safety Guidelines

The definitions below describe the level of severity for each signal word. Please read the manual and pay attention to these symbols.



DANGER: Indicates an imminently hazardous situation which, if not avoided, **will** result in **death or serious injury**.



WARNING: Indicates a potentially hazardous situation which, if not avoided, **could** result in **death or serious injury**.



CAUTION: Indicates a potentially hazardous situation which, if not avoided, **may** result in **minor or moderate injury**.



NOTICE: Indicates a practice **not related to personal injury** which, if not avoided, **may** result in **property damage**.



Denotes risk of electric shock.



Denotes risk of fire.



**GENERAL POWER TOOL SAFETY
WARNINGS**



WARNING: Read all safety warnings, instructions, illustrations and specifications provided with this power tool. Failure to follow all instructions listed below may result in electric shock, fire and/or serious injury.

**SAVE ALL WARNINGS AND
INSTRUCTIONS FOR FUTURE
REFERENCE.**

The term “power tool” in the warnings refers to your mains- operated (corded) power tool or battery-operated (cordless) power tool.

1) Work Area Safety

- a) Keep work area clean and well lit.** Cluttered or dark areas invite accidents.
- b) Do not operate power tools in explosive atmospheres, such as in the presence of flammable liquids, gases or dust.** Power tools create sparks which may ignite the dust or fumes.
- c) Keep children and bystanders away while operating a power tool.** Distractions can cause you to lose control.

2) Electrical Safety

- a) Power tool plugs must match the outlet. Never modify the plug in any way. Do not use any adapter plugs with earthed (grounded) power tools.** Unmodified plugs and matching outlets will reduce risk of electric shock.
- b) Avoid body contact with earthed or grounded surfaces such as pipes, radiators, ranges and refrigerators.** There is an increased risk of electric shock if your body is earthed or grounded.

c) Do not expose power tools to rain or wet conditions. Water entering a power tool will increase the risk of electric shock.

d) Do not abuse the cord. Never use the cord for carrying, pulling or unplugging the power tool. Keep cord away from heat, oil, sharp edges or moving parts. Damaged or entangled cords increase the risk of electric shock.

e) When operating a power tool outdoors, use an extension cord suitable for outdoor use. Use of a cord suitable for outdoor use reduces the risk of electric shock.

f) If operating a power tool in a damp location is unavoidable, use a residual current device (RCD) protected supply. Use of an RCD reduces the risk of electric shock.

3) Personal Safety

- a) Stay alert, watch what you are doing and use common sense when operating a power tool. Do not use a power tool while you are tired or under the influence of drugs, alcohol or medication.** A moment of inattention while operating power tools may result in serious personal injury.
- b) Use personal protective equipment. Always wear eye protection.** Protective equipment such as dust mask, non-skid safety shoes, hard hat or hearing protection used for appropriate conditions will reduce personal injuries.
- c) Prevent unintentional starting. Ensure the switch is in the off-position before connecting to power source and/or battery pack, picking up or carrying the tool.** Carrying power tools with your finger on the switch or energising power tools that have the switch on invites accidents.

d) Remove any adjusting key or wrench before turning the power tool on. A wrench or a key left attached to a rotating part of the power tool may result in personal injury.

e) Do not overreach. Keep proper footing and balance at all times. This enables better control of the power tool in unexpected situations.

f) Dress properly. Do not wear loose clothing or jewellery. Keep your hair and clothing away from moving parts. Loose clothes, jewellery or long hair can be caught in moving parts.

g) If devices are provided for the connection of dust extraction and collection facilities, ensure these are connected and properly used. Use of dust collection can reduce dust-related hazards.

h) Do not let familiarity gained from frequent use of tools allow you to become complacent and ignore tool safety principles. A careless action can cause severe injury within a fraction of a second.

4) Power Tool Use and Care

a) Do not force the power tool. Use the correct power tool for your application. The correct power tool will do the job better and safer at the rate for which it was designed.

b) Do not use the power tool if the switch does not turn it on and off. Any power tool that cannot be controlled with the switch is dangerous and must be repaired.

c) Disconnect the plug from the powersource and/ or the battery pack, if detachable, from the power tool before making any adjustments, changing accessories, or storing power tools. Such preventive safety measures reduce the risk of starting the power tool accidentally.

d) Store idle power tools out of the reach of children and do not allow persons unfamiliar with the power tool or these instructions to operate the power tool. Power tools are dangerous in the hands of untrained users.

e) Maintain power tools and accessories. Check for misalignment or binding of moving parts, breakage of parts and any other condition that may affect the power tool's operation. If damaged, have the power tool repaired before use. Many accidents are caused by poorly maintained power tools.

f) Keep cutting tools sharp and clean. Properly maintained cutting tools with sharp cutting edges are less likely to bind and are easier to control.

g) Use the power tool, accessories and tool bits, etc. in accordance with these instructions, taking into account the working conditions and the work to be performed. Use of the power tool for operations different from those intended could result in a hazardous situation.

h) Keep handles and grasping surfaces dry, clean and free from oil and grease. Slippery handles and grasping surfaces do not allow for safe handling and control of the tool in unexpected situations.

5) Battery Tool Use and Care

a) Recharge only with the charger specified by the manufacturer. A charger that is suitable for one type of battery pack may create a risk of fire when used with another battery pack.

b) Use power tools only with specifically designated battery packs. Use of any other battery packs may create a risk of injury and fire.

c) When battery pack is not in use, keep it away from other metal objects, like paper clips, coins, keys, nails, screws or other small metal objects, that can make a connection from one terminal to another. Shorting the battery terminals together may cause burns or a fire.

d) Under abusive conditions, liquid maybe ejected from the battery; avoid contact. If contact accidentally occurs, flush with water. If liquid contacts eyes, additionally seek medical help.

Liquid ejected from the battery may cause irritation or burns.

e) Do not use a battery pack or tool that is damaged or modified. Damaged or modified batteries may exhibit unpredictable behaviour resulting in fire, explosion or risk of injury.

f) Do not expose a battery pack or tool to fire or excessive temperature. Exposure to fire or temperature above 130°C may cause explosion.

g) Follow all charging instructions and do not charge the battery pack or tool outside the temperature range specified in the instructions. Charging improperly or at temperatures outside the specified range may damage the battery and increase the risk of fire.

6) Service

a) Have your power tool serviced by a qualified repair person using only identical replacement parts. This will ensure that the safety of the power tool is maintained.

b) Never service damaged battery packs. Service of battery packs should only be performed by the manufacturer or authorized service providers.

Additional Safety Instructions for

Impact Wrenches/Drivers

• **Hold power tool by insulated gripping surfaces when performing an operation where the fastener may contact hidden wiring.** Fasteners contacting a “live” wire may make exposed metal parts of the power tool “live” and could give the operator an electric shock.

RESIDUAL RISKS

In spite of the application of the relevant safety regulations and the implementation of safety devices, certain residual risks cannot be avoided. These are:

- Impairment of hearing.
- Risk of personal injury due to flying particles.
- Risk of burns due to accessories becoming hot during operation.
- Risk of personal injury due to prolonged use.

SAVE THESE INSTRUCTIONS

Electrical Safety

The electric motor has been designed for one voltage

only. Always check that the battery pack voltage corresponds to the voltage on the rating plate. Also make sure that the voltage of your charger corresponds to that of your mains.



Your Trend charger is double insulated in accordance with EN60335; therefore no earth wire is required.

If the supply cord is damaged, it must be replaced by a specially prepared cord available through the Trend service organisation.

Mains Plug Replacement (U.K. & Ireland Only)

If a new mains plug needs to be fitted:

- Safely dispose of the old plug.
- Connect the brown lead to the live terminal in the plug.
- Connect the blue lead to the neutral terminal.



WARNING: No connection is to be made to the earth terminal. Follow the fitting instructions supplied with good quality plugs. Recommended fuse: 3A.

Using an Extension Cable

An extension cord should not be used unless absolutely necessary. Use an approved extension cable suitable for the power input of your charger (see **Technical Data**). The minimum conductor size is 1mm²; the maximum length is 30m. When using a cable reel, always unwind the cable completely.

Important Safety

Instructions for All Battery Chargers

- Before using charger, read all instructions and cautionary markings on charger, battery pack, and product using battery pack.



WARNING: Shock hazard. Do not allow any liquid to get inside charger. Electric shock may result.



WARNING: We recommend the use of a residual current device with a residual current rating of 30mA or less.



CAUTION: Burn hazard. To reduce the risk of injury, charge only Trend rechargeable batteries. Other types of batteries may burst causing personal injury and damage.



CAUTION: Children should be supervised to ensure that they do not play with the appliance.

NOTICE: Under certain conditions, with the charger plugged in to the power supply, the charger can be shorted by foreign material. Foreign materials of a conductive nature such as, but not limited to, grinding dust, metal chips, steel wool, aluminum foil, or any buildup of metallic particles should be kept away from charger cavities. Always unplug the charger from the power supply when there is no battery pack in the cavity. Unplug charger before attempting to clean.

- **Young children and the infirm.** This appliance is not intended for use by young children or infirm persons without supervision.
- This product is not intended for use by persons (including children) suffering from diminished physical, sensory or mental abilities, or for lack of experience and/or for want of knowledge or skills unless they are supervised by a person responsible for their safety. Children should never be left alone to play with this product.
- **DO NOT attempt to charge the battery pack with any chargers other than the ones in this manual.** The charger and battery pack are specifically designed to work together.
- **These chargers are not intended for any uses other than charging Trend rechargeable batteries.** Any other uses may result in risk of fire, electric shock or electrocution.
- **Do not expose charger to rain or snow.**
- **Pull by plug rather than cord when disconnecting charger.** This will reduce risk of damage to electric plug and cord.
- **Make sure that cord is located so that it will not be stepped on, tripped over, or otherwise subjected to damage or stress.**
- **Do not use an extension cord unless it is absolutely necessary.** Use of improper extension cord could result in risk of fire, electric shock, or electrocution.
- **Do not place any object on top of charger or place the charger on a soft surface that might block the ventilation slots and result in excessive internal heat.** Place the charger in a position away from any heat source. The charger is ventilated through slots in the top and the bottom of the housing.
- **Do not operate charger with damaged cord or plug** — have them replaced immediately.
- **Do not operate charger if it has received a sharp blow, been dropped, or otherwise damaged in any way.** Take it to an authorised service centre.
- **Do not disassemble charger; take it to an authorised service centre when service or repair is required.** Incorrect reassembly may result in a risk of electric shock, electrocution or fire.
- In case of damaged power supply cord the supply cord must be replaced immediately by the manufacturer, its

service agent or similar qualified person to prevent any hazard.

- **Disconnect the charger from the outlet before attempting any cleaning. This will reduce the risk of electric shock.** Removing the battery pack will not reduce this risk.
- **NEVER** attempt to connect 2 chargers together.
- **The charger is designed to operate on standard 230V household electrical power. Do not attempt to use it on any other voltage.** This does not apply to the vehicular charger.
- **Take care to ensure that the charger is standing in a steady, secure position.** A falling battery or charger may present a risk of injury to yourself and/or others.

SAVE THESE INSTRUCTIONS

Chargers

Trend chargers require no adjustment and are designed to be as easy as possible to operate.

The T18S/CH6A charger accepts 18V Li-Ion Trend battery packs (T18S/BA2A, T18S/BA4AM and T18S/BA5A).




WARNING: Only charge in compatible 18V chargers. Use of other chargers may result in fire, damage or serious personal injury.

Charging a Battery and Operation

- The battery pack for this tool has been shipped in a low charge condition to prevent possible problems. Therefore, you should charge it until the green LED on the front right hand side of the charger comes on.
- **NOTE:** Batteries will not reach full charge the first time they are charged. Allow several cycles (operation followed by recharging) for them to become fully charged.
- First read the safety instructions then follow the charging instructions.
- Plug the charger into a standard 230V~50Hz mains socket outlet, the green LED on the front left hand side of the charger will illuminate.
- Do not allow the cable to become knotted or kinked.
- Place the battery pack into the charger base. (Note the battery has raised ribs which allows it to fit into the charger only one way). Time the charge 32, 48, 54 minutes only.
- The red LED on the front right hand side of the charger will illuminate to indicate charging is in progress. A green LED will illuminate when the battery is fully charged.
- Unplug the charger when not in use and store it in a suitable storage cabinet.

- Avoid charging your battery in freezing conditions as charging power will not be sufficient.
- When charging more than one battery pack in succession allow at least 30 minutes for the charger to cool down before charging an additional battery.
- Always remove the battery pack and store it safely when the tool is not in use.

 **CAUTION:** If at any point during the charging process none of the LEDs are lit, remove the battery pack from the charger to avoid damaging the product. DO NOT insert another battery.

Cooling System

The charger is equipped with an internal fan designed to cool the charger. Never operate the charger if the fan does not operate properly or if ventilation slots are blocked. Do not permit foreign objects to enter the interior of the charger.

Hot/cold Pack Delay

When the charger detects a battery pack that is too hot or too cold, it automatically starts a Hot/Cold Pack Delay, suspending charging until the battery pack has reached an appropriate temperature. The charger then automatically switches to the pack charging mode. This feature ensures maximum battery pack life.

Electronic Protection system

Trend Li-Ion tools are designed with an Electronic Protection System that will protect the battery pack against overloading, overheating or deep discharge.

The tool will automatically turn off if the Electronic Protection System engages.


Battery Charging Indoors

This charger is designed to be used indoors. We do not recommend that it is used inside your home. Ideally batteries should be charged on a bench in a workshop, garage or shed. If the charging operation is to be carried out in your home the area must be well ventilated and the charger must be placed on a non combustible surface ensuring that the ventilation slots are not blocked.

Wall Mounting

These chargers are designed to be wall mountable or to sit upright on a table or work surface. If wall mounting, locate the charger within reach of an electrical outlet, and away from a corner or other obstructions which may impede air flow. Use the back of the charger as a template for the location of the mounting screws on the wall. Mount the charger securely using suitable fixings depending on wall type, a head diameter of 7 – 9mm and length of 25mm is recommended. Leave a suitable length of the screw exposed to allow the charger to be fitted. Align the slots on the back of the charger with the exposed screws and fully engage them in the slots.

Charger Cleaning Instructions

 **WARNING:** Shock hazard. Disconnect the charger from the AC outlet before cleaning. Dirt and grease may be removed from the exterior of the charger using a cloth or soft non-metallic brush. Do not use water or any cleaning solutions. Never let any liquid get inside the tool; never immerse any part of the tool into a liquid.

Battery Packs

Important Safety Instructions for All Battery Packs


When ordering replacement battery packs, be sure to include product reference and voltage.


The battery pack is not fully charged out of the carton. Before using the battery pack and charger, read the safety instructions below. Then follow charging procedures outlined.


READ ALL INSTRUCTIONS

- **Do not charge or use battery in explosive atmospheres, such as in the presence of flammable liquids, gases or dust.** Inserting or removing the battery from the charger may ignite the dust or fumes.
- **Never force battery pack into charger. Do not modify battery pack in any way to fit into a non-compatible charger as battery pack may rupture causing serious personal injury.**
- Charge the battery packs only in Trend chargers.
- **DO NOT** splash or immerse in water or other liquids.
- **Do not store or use the tool and battery pack in locations where the temperature may fall below 4°C (34°F) (such as outside sheds or metal buildings in winter), or reach or exceed 40°C (104°F) (such as outside sheds or metal buildings in summer).**
- **Do not incinerate the battery pack even if it is severely damaged or is completely worn out.** The battery pack can explode in a fire. Toxic fumes and materials are created when lithium-ion battery packs are burned.
- **If battery contents come into contact with the skin, immediately wash area with mild soap and water.** If battery liquid gets into the eye, rinse water over the open eye for 15 minutes or until irritation ceases. If medical attention is needed, the battery electrolyte is composed of a mixture of liquid organic carbonates and lithium salts.
- **Contents of opened battery cells may cause respiratory irritation.** Provide fresh air. If symptoms persists, seek medical attention.

 **WARNING: Burn hazard. Battery liquid may be flammable if exposed to spark or flame.**

 **WARNING:** Never attempt to open the battery pack for any reason. If battery pack case is cracked or damaged, do not insert into charger. Do not crush, drop or damage battery pack. Do not use a battery pack or charger that has received a sharp blow, been dropped, run over or damaged in any way (i.e., pierced with a nail, hit with a hammer, stepped on). Electric shock or electrocution may result. Damaged battery packs should be returned to service centre for recycling.

 **WARNING: Fire hazard. Do not store or carry the battery pack so that metal objects can contact exposed battery terminals.** For example, do not place the battery pack in aprons, pockets, tool boxes, product kit boxes, drawers, etc., with loose nails, screws, keys, etc.

 **CAUTION:** When not in use, place tool on its side on a stable surface where it will not cause a tripping or falling hazard. Some tools with large battery packs will stand upright on the battery pack but may be easily knocked over.

Battery Operation

Charge Status


To display the amount of charge left in the battery, press the charge level indicator button, (Fig.2). Fig. 2a shows the relation between the LED indication and charge left.

NOTE: The battery charge level indicator is only an indication of the charge left on the battery pack. It does not indicate tool functionality and is subject to variation based on product components, temperature and end-user application.

Self-Discharge

A lithium battery can self discharge and lose its stored charge. Typically it can lose approximately 5% of its charge in the first month after fully charging (when stored at room temperature), and then loses it by a further 3% per month. When stored at higher temperatures the self-discharge rate will be accelerated.

Transportation

 **WARNING: Fire hazard.** Transporting batteries can possibly cause fire if the battery terminals inadvertently come in contact with conductive materials. When transporting batteries, make sure that the battery terminals are protected and well insulated from materials that could contact them and cause a short circuit.

NOTE: Lithium-ion batteries should not be put in checked baggage.

Trend batteries comply with all applicable shipping regulations as prescribed by industry and legal standards which include UN Recommendations on the Transport of Dangerous Goods; International Air Transport Association (IATA) Dangerous Goods Regulations, International Maritime Dangerous Goods (IMDG) Regulations, and the European Agreement Concerning The International Carriage of Dangerous Goods by Road (ADR). Lithium-ion cells and batteries have been tested to section 38.3 of the UN Recommendations on the Transport of Dangerous Goods Manual of Tests and Criteria.

In most instances, shipping a Trend battery pack will be excepted from being classified as a fully regulated Class 9 Hazardous Material. In general, only shipments containing a lithium-ion battery with an energy rating greater than 100 Watt Hours (Wh) will require being shipped as fully regulated Class 9.

All lithium-ion batteries have the Watt Hour rating marked on the pack. Furthermore, due to regulation complexities, Trend does not recommend air shipping lithium-ion battery packs alone regardless of Watt Hour rating. Shipments of tools with batteries (combo kits) can be air shipped as excepted if the Watt Hour rating of the battery pack is no greater than 100 Whr.

Regardless of whether a shipment is considered excepted or fully regulated, it is the shipper's responsibility to consult the latest regulations for packaging, labelling/marketing and documentation requirements.

The information provided in this section of the manual is provided in good faith and believed to be accurate at the time the document was created. However, no warranty, expressed or implied, is given. It is the buyer's responsibility to ensure that its activities comply with the applicable regulations.

Storage Recommendations

The best storage place is one that is cool and dry away from direct sunlight and excess heat or cold. For optimum battery performance and life, store battery packs at room temperature when not in use.

For long storage, it is recommended to store a fully charged battery pack in a cool, dry place out of the charger for optimal results.

NOTE: Battery packs should not be stored completely depleted of charge. The battery pack will need to be recharged before use.

Labels on Charger and Battery Pack

In addition to the pictographs used in this manual, the labels on the charger and the battery pack may show the following pictographs: -



Read instruction manual before use.



See Technical Data for charging time.



Battery charging.



Battery charged.



Battery defective.



Delay charge (Battery cooling or too cold battery).



Do not probe with conductive objects.



Do not charge damaged battery packs.



Do not expose to water.



Have defective cords replaced immediately.



Charge only between 4°C and 40°C.



Only for indoor use.



Li-Ion Discard the battery pack with due care for the environment.



Do not incinerate the battery pack.

ITEMS ENCLOSED

- 1 x Impact Driver
- 1 x Instruction manual

NOTE: Battery packs, chargers and kit boxes are not included with B models.

- Check for damage to the tool, parts or accessories which may have occurred during transport.
- Take the time to thoroughly read and understand this manual prior to operation.

MARKINGS ON TOOL

The following pictograms are shown on the tool:



Read instruction manual before use.

Date Code Position

The year of manufacture is on the rating plate.

DESCRIPTION OF PARTS - (Fig. 1)

- A. Trigger switch
- B. Forward/reverse button
- C. Mode selector
- D. Keyless chuck 1/4" (6.35 mm)
- E. Light
- F. Grip
- G. Battery port
- H. Belt hook

INTENDED USE

This impact driver is designed for impact screwdriving applications. The impact function makes this tool particularly useful for driving fasteners in wood, metal and concrete.

DO NOT use under wet conditions or in the presence of flammable liquids or gases. These drills/drivers/hammer drills are professional power tools

DO NOT let children come into contact with the tool. Supervision is required when inexperienced operators use this tool.

- **Young children and the infirm.** This appliance is not intended for use by young children or infirm persons without supervision.
- This product is not intended for use by persons (including children) suffering from diminished physical, sensory or mental abilities; lack of experience, knowledge or skills unless they are supervised by a person responsible for their safety. Children should never be left alone with this product.

ASSEMBLY AND ADJUSTMENTS



WARNING: To reduce the risk of serious personal injury, turn tool off and disconnect battery pack before making any adjustments or removing/ installing attachments or accessories. An accidental start-up can cause injury.



WARNING: Use only Trend battery packs and chargers.

Battery Charge Level Status - (Fig. 2 - 2a)

To display the amount of charge left in the battery, press the charge level indicator button.

NOTE: The battery charge level indicator is only an indication of the charge left on the battery pack. It does not indicate tool functionality and is subject to variation based on product components, temperature and end-user application.



Inserting and Removing the Battery Pack from the Tool - (Fig. 3 - 3a)

NOTE: Make sure your battery pack is fully charged.

NOTE: To avoid serious personal injury, always remove the battery pack and keep hands clear of the lock button when carrying or transporting the tool.

Improper installation of the battery pack can cause damage to internal components.

To install the Battery Pack into the Tool Handle - (Fig. 3)

- Align the battery pack with the rails inside the router battery port.
- Slide it into the battery port until the battery pack is firmly seated and ensure that you hear the lock snap into place.

Removing the Battery Pack from the Tool - (Fig. 3a)

- Press the release button and firmly pull the battery pack out of the battery port.
- Insert battery pack into the charger as described in the charger section of this manual.

Variable Speed Trigger Switch - (Fig. 5)

- To turn the tool on, squeeze the trigger switch.
- To turn the tool off, release the trigger switch. Your tool is equipped with a brake. The chuck will stop as soon as the trigger switch is fully released.

NOTE: Continuous use in variable speed range is not recommended. It may damage the switch and should be avoided.

Forward/Reverse Control Button - (Fig. 6)

- A forward/reverse control button determines the direction of the tool and also serves as a lock-off button.
- To select forward rotation, release the trigger switch and press the forward/reverse control button on the right side of the tool.
- To select reverse, press the forward/reverse control button on the left side of the tool.
- The centre position of the control button locks the tool in the off position. When changing the position of the control button, be sure the trigger is released.

NOTE: The first time the tool is run after changing the direction of rotation, you may hear a click on start up. This is normal and does not indicate a problem.

Belt Hook - (Fig. 7)



IMPORTANT: When attaching or replacing the belt hook or bit clip, use only the screw that is provided. Be sure to securely tighten the screw.

- The belt hook can be attached to either side of the tool using only the screw provided, to accommodate left- or right- handed users. If the hook or bit clip is not desired at all, it can be removed from the tool.
- To move belt hook, remove the screw that holds it in place then reassemble on the opposite side. Be sure to securely tighten the screw.



WARNING: To reduce the risk of serious personal injury, turn tool off and disconnect battery pack before making any adjustments or removing/ installing attachments or accessories.



WARNING: To reduce the risk of serious personal injury, DO NOT suspend tool overhead or suspend objects from the belt hook. **ONLY** hang tool's belt hook from a work belt.



WARNING: To reduce the risk of serious personal injury, ensure the screw holding the belt hook is secure.

Quick-Release Chuck - (Fig. 8 - 8a)

WARNING: Use only impact accessories. Non-impact accessories may break and cause a hazardous condition. Inspect accessory prior to use to ensure that it contains no cracks.

NOTE: The chuck accepts 6.35mm (1/4 - inch) hex accessories only.

- Place the forward/reverse button in the lock-off (centre) position or remove battery pack before changing accessories.
- To install an accessory, pull the chuck collar forwards [1] and push the accessory fully inside the chuck. Push chuck collar back to lock accessory.
- To remove an accessory, pull the chuck collar away from the front of the tool, remove the accessory and release the collar.

Mode Selector - (Fig. 9)



WARNING: To reduce the risk of injury, remove accessories from the tool chuck before using the mode selector.

Your tool is equipped with a mode selector. See table below for the three different modes.

Speed	Direction	Light Status	Application
Low	Forward	Green	Low torque and finish work
High	Forward	Green	Higher torque applications eg self tapping screws
Reverse auto-stop	Reverse	Amber	Reverse

OPERATION



WARNING: Always observe the safety instructions and applicable regulations.

WARNING: To reduce the risk of serious personal injury, turn tool off and disconnect battery pack before making any adjustments or removing/ installing attachments or accessories. An accidental start-up can cause injury.

Proper Hand Position - (Fig. 10)

WARNING: To reduce the risk of serious personal injury, **ALWAYS** use proper hand position as shown.

WARNING: To reduce the risk of serious personal injury, **ALWAYS** hold securely in anticipation of a sudden reaction.

Proper hand position requires one hand on the main grip as shown.

Using the Impact Driver

The impact driver generates the following maximum torque: 145Nm.

- Place the accessory into the chuck. Keep the tool pointed straight at the workpiece.
- Press switch to start operation. Release the switch to stop operation. Always check torque with a torque wrench, as the fastening torque is affected by many factors including the following:
- **Voltage:** Low voltage, due to a nearly discharged battery, will reduce fastening torque.
- **Socket size:** Failure to use the correct socket size will cause a reduction in fastening torque.
- **Bolt size:** Larger bolt diameters generally require higher fastening torque. Fastening torque will also vary according to length, grade, and torque coefficient.

WARNING: The front of the impact driver casing can get hot.

MAINTENANCE

Please use only Trend original spare parts and accessories.

The power tool has been designed to operate over a long period of time with a minimum of maintenance. Continuous satisfactory operation depends upon proper tool care and regular cleaning.

WARNING: To reduce the risk of serious personal injury, turn tool off and disconnect battery pack before making any adjustments or removing/ installing attachments or accessories. An accidental start-up can cause injury.

The charger and battery pack are not serviceable.

Avoid using solvents when cleaning plastic parts. Most plastics are susceptible to damage from various types of commercial solvents and may be damaged by their use. Use clean cloths to remove dirt, dust, oil, grease, etc.

WARNING: Do not at any time let brake fluids, gasoline, petroleum based products, penetrating oils, etc., come in contact with plastic parts. Chemicals can damage, weaken or destroy plastic which may result in serious personal injury.

Electric tools used on fiberglass material, wallboard, spackling compounds, or plaster are subject to accelerated wear and possible premature failure because the fiberglass chips and grindings are highly abrasive to bearings, brushes, commutators, etc. Consequently, we do not recommend using this tool for extended work on these types of materials. However, if you do work with any of these materials, it is extremely important to clean the tool using compressed air.

Lubrication

- Your power tool requires no additional lubrication.

Cleaning



WARNING: Blow dirt and dust out of the main housing with dry air as often as dirt is seen collecting in and around the air vents. Wear approved eye protection and approved dust mask when performing this procedure.

WARNING: Never use solvents or other harsh chemicals for cleaning the non-metallic parts of the tool. These chemicals may weaken the materials used in these parts. Use a cloth dampened only with water and mild soap. Never let any liquid get inside the tool; never immerse any part of the tool into a liquid.

Storage

- After use return the tool to its packaging.


ENVIRONMENTAL PROTECTION

-  Recycle raw materials instead of disposing as waste.
-  Accessories and packaging should be sorted for environmental-friendly recycling.

Separate collection. This product must not be disposed of with normal household waste.

Batteries and the Environment

This unit uses Lithium Ion (Li-Ion) batteries. When battery pack needs replacing, we recommend the following: Discharge the energy from the batteries by running them down completely and then remove from the tool.

-  Li-Ion cells are recyclable so do not throw them away with household waste. They may end up in an incinerator or landfill, which must be avoided.

Instead, take the batteries to a Trend Service Agent, your local Trend Stockist or a local recycling station. If necessary contact your local municipality for disposal information. The collected batteries will be disposed of properly and/or used for recycling purposes.

Household User

Local regulations may provide for separate collection of electrical products from the household, at municipal waste sites or by retailer when you purchase a new product. Please call Trend Customer Services for advice as to how to dispose of unwanted Trend electrical products in an environmentally safe way or visit www.trend-uk.com

Business Users

Please call Trend Customer Services for disposal of unwanted Trend electrical products.

GUARANTEE

The unit carries a manufacturers guarantee in accordance with the conditions on the enclosed guarantee card.

For the location of your nearest Trend Service Agent, please call Trend Customer Services or see our stockist locator at www.trend-uk.com

DE – T18S/ID

Vielen Dank für den Kauf dieses Trend-Produkts. Wir hoffen, Sie werden das Produkt viele Jahre kreativ und produktiv nutzen.

Bitte schicken Sie die Garantiekarte innerhalb von 28 Tagen nach Kauf des Produkts zurück.

TECHNISCHE DATEN

Stromspannung	VDC	18
Batterietyp		Li-Ion
Futtergröße	Zoll	1/4
Leerlaufdrehzahl	min-1	2,400 – 2,800
Gewicht	kg	1.13
Max Drehmoment	Nm	130
Schlagfrequenz	ipm	3000
Batterie*		
Kapazität der Batterie	Ah	2
	Ah	4
	Ah	5
Ladegerät*		
Eingangsspannung	V	220 - 240
Netzfrequenz	Hz	50/60
Ausgangsspannung	VDC	21
Ausgangsstrom	A	6
Ladezeit T18S/BA2A**	min	32
Ladezeit T18S/BA4AM**	min	48
Ladezeit T18S/BA5A**	min	54
* nur für Modelle mit Batterie und Ladegerät		
** Ladezeit bezieht sich nur auf eine Batterie mit einer Kapazität aus der Tabelle		
Geräuschwerte und Vibrationswerte (dreiachsige Vektorsumme) gemäß EN 62841-2-2		

Emissionsschalldruckpegel L _{pA}	dB (A)	78.1
Schalldruckpegel L _{WA}	dB (A)	89.1
K _{pA} (Abweichung beim vorgegebenen Schalldruck)	dB (A)	3
Vibrationsemission Wert ah =	m/s ²	8.58
Abweichung K =	m/s ²	1.5

Die Vibrations- und/oder Geräuschemissionswerte wurden gemäß dem in EN62841 vorgegebenen Standardtest ermittelt und können zum Vergleich mit

anderen Werkzeugen herangezogen werden. Sie können als vorläufige Belastungseinschätzung benutzt werden.

! WARNUNG: Der angegebene Grad der Vibrationsemissionen bezieht sich auf den Hauptanwendungsbereich des Werkzeugs. Bei Verwendung des Werkzeugs für andere Arbeiten, mit anderem Zubehör oder bei mangelhafter Wartung können die Vibrationsemissionen abweichen.

Dies kann den Belastungsgrad während der gesamten Arbeitszeit erheblich steigern. Eine Einschätzung des Belastungsgrads durch Vibrationen sollte auch berücksichtigen, wie oft das Werkzeug ausgeschaltet wird oder im Leerlauf in Betrieb ist. Dies kann den Belastungsgrad während der gesamten Arbeitszeit erheblich reduzieren.. Um den Anwender vor Nebenwirkungen durch Vibrationen zu schützen bestimmen Sie zusätzliche Schadenverhütungsmaßnahmen wie regelmäßige Wartung des Werkzeugs und des Zubehörs, Hände warm halten, Einrichten von Arbeitsprofilen.

**CE-KONFORMITÄTSERKLÄRUNG
MASCHINENRICHTLINIE**



**AKKU-SCHLAGSCHRAUBER
T18S/ID**

Trend erklärt, dass das unter Technische Daten beschriebene Produkt der Richtlinie 2006/42/EG entspricht und in Übereinstimmung mit EN 62841-2-2:2014, EN 62841-1:2015 entwickelt wurde.

Das Produkt entspricht auch den Richtlinien 2014/30/EU und 2011/65/EU.

Weitere Informationen erhalten Sie bei Trend unter der folgenden Adresse oder auf der Rückseite der Betriebsanleitung. Die Unterzeichner geben diese Erklärung im Namen von Trend Tool Technology Ltd ab.

Neil McMillan
Technical Director

Trend Tool Technology Ltd,
Odhams Trading Estate,
Watford, WD24 7TR,
England

01.08.2021

**Ansprechpartner
Technische Datei**
Trend Tool Technology Ltd,
3rd Floor, Kilmore House,
Park Lane, Spencer Dock,
Dublin 1, Ireland

! WARNUNG: Um Verletzungen zu vermeiden, lesen Sie die Betriebsanleitung.

Definitionen: Sicherheitsrichtlinien

Die folgenden Definitionen beschreiben den Schweregrad für jedes Signalwort. Bitte lesen Sie die Betriebsanleitung und achten Sie auf diese Symbole

! GEFAHR: Weist auf eine potenziell gefährliche Situation hin, die, wenn sie nicht vermieden wird, **zum Tod oder zu schweren Verletzungen führt.**

! WARNUNG: Weist auf eine potenziell gefährliche Situation hin, die, wenn sie nicht vermieden wird, **zum Tod oder zu schweren Verletzungen führen kann.**

! VORSICHT: Weist auf eine potenziell gefährliche Situation hin, die, wenn sie nicht vermieden wird, zu **leichten oder mittelschweren Verletzungen führen kann.**

! ANMERKUNG: Weist auf eine Praxis hin, die sich nicht auf **Personenschäden** bezieht und die, wenn sie nicht vermieden wird, zu **Sachschäden** führen kann.

⚡ Weist auf das Risiko eines Stromschlags hin.

🔥 Weist auf eine Brandgefahr hin.



**ALLGEMEINE SICHERHEITSHINWEISE
FÜR ELEKTROWERKZEUGE**

! WARNUNG: Lesen Sie alle mit diesem Elektrowerkzeug mitgelieferten Sicherheitshinweise, Anweisungen, technischen Daten und schauen Sie sich die Abbildungen an. Die Nichtbeachtung aller unten aufgeführten Anweisungen kann zu Stromschlag, Feuer und/oder schweren Verletzungen führen.

**BEWAHREN SIE ALLE WARNHINWEISE
UND ANWEISUNGEN ZUM SPÄTEREN
NACHSCHLAGEN AUF**

Der Begriff „Elektrowerkzeug“ in allen unten aufgeführten Warnhinweisen bezieht sich auf Ihr netzbetriebenes

(kabelgebundenes) oder batteriebetriebenes (kabelloses) Elektrowerkzeug.

1) Sicherheit am Arbeitsbereich

a) Halten Sie den Arbeitsbereich sauber und gut beleuchtet. Unübersichtliche und dunkle Bereiche können eine Unfallgefahr darstellen.

b) Betreiben Sie das Elektrowerkzeug nicht in explosionsgefährdeten Umgebungen, z. B. in Gegenwart von brennbaren Flüssigkeiten, Gasen oder Staub. Elektrowerkzeuge erzeugen Funken, die den Staub oder die Dämpfe entzünden können.

c) Halten Sie Kinder und umstehende Personen fern, während Sie ein Elektrowerkzeug bedienen Ablenkungen können dazu führen, dass Sie die Kontrolle über den Arbeitsgang verlieren.

2) Elektrische Sicherheit

a) Stecker von Elektrowerkzeugen müssen zur Steckdose passen. Verändern Sie niemals den Netzstecker in irgendeiner Weise. Verwenden Sie keine Netzadapter mit geerdeten Elektrowerkzeugen. Unveränderte Netzstecker und passende Netzsteckdosen verringern das Risiko eines Stromschlags.

b) Vermeiden Sie Körperkontakt mit geerdeten Oberflächen wie Rohren, Heizkörpern, Herden und Kühlschränken. Es besteht ein erhöhtes Risiko eines Stromschlags, wenn Ihr Körper geerdet ist.

c) Setzen Sie das Elektrowerkzeug niemals Regen oder Nässe aus. Wasser, das in ein Elektrowerkzeug eindringt, erhöht das Risiko eines Stromschlags.

d) Verwenden Sie das Kabel nicht für andere Zwecke. Verwenden Sie das Kabel niemals zum Tragen, Ziehen oder Herausziehen des Elektrowerkzeugs. Kabel vor Hitze, Öl, scharfen Kanten oder beweglichen Teilen schützen. Beschädigte oder verworrene Kabel erhöhen das Risiko eines Stromschlags.

e) Wenn Sie ein Elektrowerkzeug im Freien betreiben, verwenden Sie ein für den Außeneinsatz geeignetes Verlängerungskabel. Die Verwendung eines geeigneten Kabels für den Außeneinsatz verringert das Risiko eines Stromschlags.

f) Wenn die Verwendung eines Elektrowerkzeugs in einer feuchten Umgebung unvermeidbar ist, schließen Sie es nur an eine Stromquelle an, die über einen Fehlerstromschutzschalter (RCD) verfügt. Der Anschluss an eine Stromquelle mit Fehlerstromschutzschalter reduziert das Risiko eines Stromschlags.

3) Persönliche Sicherheit

a) Bleiben Sie wachsam, achten Sie auf das, was Sie tun, und nutzen Sie Ihren gesunden

Menschenverstand, wenn Sie mit einem Elektrowerkzeug arbeiten. Bedienen Sie keine Elektrowerkzeuge, wenn Sie müde sind oder unter dem Einfluss von Drogen, Medikamenten oder Alkohol stehen. Ein Moment der Unachtsamkeit während der Arbeit mit einem Elektrowerkzeug kann zu schweren Verletzungen führen.

b) Verwendung von persönlicher Schutzausrüstung. Tragen Sie immer eine Schutzbrille. Schutzausrüstung wie Staubmaske, rutschfeste Sicherheitsschuhe, Schutzhelm oder Gehörschutz, die unter angemessenen Bedingungen verwendet werden, verringern Personenschäden.

c) Unbeabsichtigtes Einschalten vermeiden. Vergewissern Sie sich, dass der Schalter in der Aus-Stellung ist, bevor Sie das Werkzeug an eine Stromquelle anschließen, aufheben oder transportieren. Der Transport von Elektrowerkzeugen mit Finger am Schalter oder das Anschließen mit eingeschaltetem Schalter kann Unfälle verursachen.

d) Entfernen Sie alle Einstellschlüssel oder Schraubenschlüssel, bevor Sie das Elektrowerkzeug einschalten. Ein Schraubenschlüssel oder ein Schlüssel, der an einem rotierenden Teil des Elektrowerkzeugs befestigt ist, kann zu Verletzungen führen.

e) Überstrecken Sie sich nicht. Achten Sie immer auf einen guten Stand und das Gleichgewicht. Dies ermöglicht eine bessere Kontrolle des Elektrowerkzeugs in unerwarteten Situationen.

f) Tragen Sie entsprechende Arbeitskleidung. Tragen Sie keine lose Kleidung oder Schmuck. Halten Sie Haare, Kleidung und Handschuhe von beweglichen Teilen fern. Lose Kleidung, Schmuck oder lange Haare können sich in beweglichen Teilen verfangen.

g) Wenn Vorrichtungen für den Anschluss von Entstaubungs- und Absauganlagen vorgesehen sind, stellen Sie sicher, dass diese angeschlossen und ordnungsgemäß verwendet werden. Die Verwendung dieser Geräte kann staubbedingte Gefahren reduzieren.

h) Beachten Sie die Sicherheitsrichtlinien auch dann noch, wenn Sie durch dauerhaften Gebrauch eines Werkzeugs mit diesem vertraut sind. Eine Nachlässigkeit kann im Bruchteil einer Sekunde zu einer Verletzung führen.

4) Benutzung und Pflege des Elektrowerkzeugs

a) Behandeln Sie das Elektrowerkzeug nicht mit Gewalt. Verwenden Sie die richtige Elektrowerkzeug für Ihre Arbeit. Das richtige Elektrowerkzeug, das für die entsprechende Aufgabe entwickelt wurde, wird diese besser und sicherer durchführen.

b) Verwenden Sie das Elektrowerkzeug nicht, wenn es sich nicht über den Netzschalter ein-

oder ausschalten lässt. Jedes Elektrowerkzeug, das nicht über den Schalter ein- oder ausgeschaltet werden kann, stellt eine Gefahr dar und muss repariert werden.

c) Entfernen Sie den Stecker aus der Stromquelle und/oder die Batterie (wenn abnehmbar) aus dem Elektrowerkzeug, bevor Sie Einstellungen vornehmen, das Zubehör auswechseln oder das Elektrowerkzeug lagern. Solche präventiven Sicherheitsmaßnahmen verringern das Risiko eines versehentlichen Starts des Elektrowerkzeugs.

d) Bewahren Sie ungenutzte Elektrowerkzeuge außerhalb der Reichweite von Kindern auf und verweigern Sie Personen, die mit dem Elektrowerkzeug oder diesen Anweisungen nicht vertraut sind, die Nutzung des Werkzeugs. Elektrowerkzeuge sind in den Händen ungeschulter Benutzer gefährlich.

e) Wartung von Elektrowerkzeugen und Zubehör. Prüfen Sie die beweglichen Teile auf Fehlaustrichtung oder festen Sitz, beschädigte Teile und alle anderen Bedingungen, die den Betrieb des Werkzeugs beeinträchtigen können. Falls beschädigt, lassen Sie das Elektrowerkzeug vor der Verwendung reparieren. Viele Unfälle werden durch schlecht gewartete Elektrowerkzeuge verursacht.

f) Halten Sie Schneidwerkzeuge scharf und sauber. Ordnungsgemäß gewartete Schneidwerkzeuge mit scharfen Schneidkanten fressen sich weniger leicht fest und sind leichter zu kontrollieren.

g) Verwenden Sie das Elektrowerkzeug, das Zubehör und Werkzeugsätze usw. gemäß diesen Anweisungen unter Berücksichtigung der Arbeitsumstände und der durchzuführenden Arbeiten. Die Verwendung des Elektrowerkzeugs für andere als die vorgesehene Nutzung könnte zu einer gefährlichen Situation führen.

h) Halten Sie die Griffe und Griffflächen trocken, sauber und frei von Öl und Fett. Rutschige Griffe und Griffflächen machen eine sichere Handhabung des Werkzeugs bei unerwarteten Ereignissen unmöglich.

5) Benutzung und Pflege der Batterie

a) Laden Sie die Batterie nur mit dem vom Hersteller vorgesehenen Ladegerät. Bei Verwendung eines anderen als dem vom Hersteller vorgesehenen Ladegerät besteht Brandgefahr.

b) Verwenden Sie Elektrowerkzeuge immer nur mit den jeweils vorgesehenen Batterien. Bei Benutzung von anderen Batterien besteht ein Verletzungsrisiko und Brandgefahr.

c) Wenn die Batterie nicht in Gebrauch ist, lagern Sie sie abseits von anderen Metallgegenständen wie Büroklammern, Münzen, Schlüssel, Nägel, Schrauben oder anderen kleinen Metallgegenständen, die beide Batteriepole miteinander verbinden könnten. Das Kurzschließen

der Batteriepole kann zu Verbrennungen führen oder Feuer auslösen.

d) Bei missbräuchlicher Handhabung kann Flüssigkeit aus der Batterie austreten; vermeiden Sie den Kontakt damit. Nach versehentlichem Kontakt waschen sie die Flüssigkeit unter fließendem Wasser ab. Kommt die Flüssigkeit mit Augen in Kontakt, nehmen Sie ärztliche Hilfe in Anspruch. Ausgetretene Batterieflüssigkeit kann Reizungen oder Verbrennungen der Augen verursachen.

e) Verwenden Sie keine beschädigten oder veränderten Batterien oder Werkzeuge. Beschädigte oder veränderte Batterien können unvorhersehbare Folgen wie Feuer, Explosion oder Verletzungen nach sich ziehen.

f) Setzen die Batterie oder das Werkzeug weder Feuer noch extremen Temperaturen aus. Wird die Batterie Feuer oder einer Temperatur über 130°C ausgesetzt, besteht Explosionsgefahr.

g) Befolgen Sie alle Ladevorgangsanleitungen und laden Sie die Batterie oder das Werkzeug nur in dem in der Anleitung angegebenen Temperaturbereich. Unsachgemäßes Laden oder Laden außerhalb des angegebenen Temperaturbereichs kann die Batterie beschädigen und erhöht die Brandgefahr.

6) Wartung

a) Lassen Sie Ihr Elektrowerkzeug nur von einer qualifizierten Fachkraft warten, die nur identische Ersatzteile verwendet. Damit ist die Sicherheit Ihres Elektrowerkzeugs gewährleistet.

b) Verwenden Sie niemals beschädigte Batterien. Die Wartung von Batterien sollte nur vom Hersteller oder von autorisierten Werkstätten ausgeführt werden.

Zusätzliche spezielle  Sicherheitsbestimmungen für Schlagschrauber

• Halten Sie das Gerät beim Betrieb nur an den isolierten Griffflächen, da das Befestigungselement mit verborgenen Stromkabeln in Kontakt kommen kann. Befestigungselemente, die mit einem stromführenden Draht in Kontakt kommen, können ungeschützte Metallteile am Gerät stromführend machen und dem Anwender einen Stromschlag zufügen.

RESTRISIKEN

Ungeachtet vom Befolgen der relevanten Sicherheitsrichtlinien und der Anwendung von Sicherheitsvorrichtungen können bestimmte Risiken nicht vermieden werden. Diese sind:


• Beeinträchtigung des Hörvermögens.

- erletzungsrisiko durch fliegende Partikel.
- Verbrennungsrisiko durch erhitzte Teile während des Betriebs.
- Verletzungsgefahr durch dauerhaften Gebrauch..

BEWAHREN SIE DIESE ANWEISUNGEN AUF

 Elektrische Sicherheit

Der Elektromotor ist nur für eine Spannung konzipiert. Stellen Sie sicher, dass die Batteriespannung immer der angegebenen Spannung auf dem Typenschild entspricht. Stellen Sie außerdem sicher, dass die Spannung des Ladegeräts der Spannung der Stromquelle entspricht.

 Ihr Trend-Ladegerät ist gemäß EN60335 doppelt isoliert: deshalb ist kein Schutzleiter erforderlich.

Wenn das Versorgungskabel beschädigt ist, muss es durch ein speziell hergestelltes Kabel, erhältlich über die Trend-Serviceorganisation, ersetzt werden.

Ersatz des Hauptsteckers (nur Vereinigtes Königreich u. Irland)

Wenn ein neuer Hauptstecker eingebaut werden muss:

- Entfernen Sie vorsichtig den alten Stecker.
- Schließen Sie den braunen Draht an die stromführende Klemme im Stecker an.
- Schließen Sie den blauen Draht an die Nullleiterklemme an.

 WARNUNG: Anschluss der Erdungsklemme nicht erforderlich.

Befolgen Sie die Montageanleitung, die bei qualitativ guten Steckern mitgeliefert wird. Empfohlene Sicherheit: 3A.

Verwendung eines Verlängerungskabels

Ein Verlängerungskabel sollte nur verwendet werden, wenn es unbedingt nötig ist. Verwenden Sie ein für die Eingangsleistung des Ladegeräts zugelassenes Verlängerungskabel (siehe Technische Daten). Minimaler Leiterquerschnitt ist 1 mm²: maximale Länge ist 30m. Wenn Sie eine Kabeltrommel verwenden, wickeln Sie das Kabel immer vollständig ab.

Wichtige  Sicherheitsanweisungen für alle Batterieladegeräte

- Lesen Sie alle Anweisungen und Warnzeichen am Ladegerät, der Batterie und dem Produkt, in dem die

Batterie verwendet wird, bevor Sie das Ladegerät in Betrieb nehmen.



WARNUNG: Gefahr durch Stromschlag. Vermeiden Sie das Eindringen von Flüssigkeit in das Ladegerät. Ein Stromschlag kann die Folge sein.



WARNUNG: Wir empfehlen die Verwendung eines Fehlerstromschutzschalters mit einer Reststromrate von 30 mA oder weniger.



VORSICHT: Gefahr durch Verbrennung. Um die Verletzungsgefahr zu verringern, laden Sie nur wiederaufladbare Batterien von Trend. Andere Batterietypen können platzen, was Verletzungen und Beschädigung zur Folge hat.



VORSICHT: Es sollte sichergestellt werden, dass Kinder nicht mit dem Gerät spielen.

HINWEIS: Das Ladegerät kann unter bestimmten Umständen durch Fremdkörper kurzgeschlossen werden, während es an die Stromquelle angeschlossen ist. Leitende Fremdkörper wie Schleifstaub, Metallsplitters, Stahlwolle, Aluminiumfolie und jede Ansammlung von Metallpartikeln sowie andere leitende Fremdkörper sollten vom Ladegerät ferngehalten werden. Trennen Sie immer das Ladegerät von der Stromquelle, wenn sich keine Batterie im Batteriefach befindet. Stecken Sie das Ladegerät aus, bevor Sie es reinigen.

- **Kleine Kinder und Gebrechliche.** Diese Vorrichtung ist nicht zur Verwendung durch Kinder und gebrechliche Personen ohne Aufsicht bestimmt.
- Dieses Produkt ist nicht zur Verwendung durch Personen (einschließlich Kinder) bestimmt, die unter verminderten körperlichen, sensorischen oder geistigen Fähigkeiten leiden oder denen es an Erfahrung, Wissen oder Fähigkeiten fehlt, es sei denn, sie werden von einer für ihre Sicherheit verantwortlichen Person beaufsichtigt. Kinder sollten mit diesem Produkt niemals allein gelassen werden.
- **Versuchen Sie NICHT, die Batterie mit einem anderen Ladegerät als dem in dieser Gebrauchsanweisung genannten zu laden.** Die Batterie und das Ladegerät sind speziell aufeinander abgestimmt.
- **Diese Ladegeräte sind nur zum Laden von Trend wiederaufladbaren Batterien vorgesehen.** Jede andere Verwendung beinhaltet das Risiko einer Brandgefahr, eines Stromschlags oder Tod durch Stromschlag.
- **Setzen Sie das Ladegerät niemals Regen oder Schnee aus.**
- **Ziehen Sie am Stecker und nicht am Kabel, wenn Sie das Ladegerät von der Stromquelle**

trennen. Dadurch vermeiden Sie eine Beschädigung des Steckers und des Kabels.

- **Stellen Sie sicher, dass niemand auf das Kabel treten oder darüber stolpern kann und dass das Kabel nicht beschädigt oder belastet wird.**
- **Verwenden Sie nur dann ein Verlängerungskabel, wenn es unbedingt nötig ist.** Die Verwendung eines ungeeigneten Kabels kann das Risiko einer Brandgefahr, eines Stromschlags oder Tod durch Stromschlag zur Folge haben.
- **Stellen oder legen Sie keine Gegenstände auf die Oberfläche des Ladegeräts und stellen Sie das Ladegerät nicht auf einem nachgiebigen Untergrund auf, wodurch die Lüftungsschlitze verdeckt werden können und was übermäßige Hitze im Innern des Ladegeräts auslösen kann.** Stellen Sie das Ladegerät nicht in der Nähe einer Wärmequelle auf. Das Ladegerät wird durch Schlitze an der Ober- und der Unterseite belüftet.
- **Betreiben Sie das Ladegerät nicht mit beschädigtem Kabel oder Stecker** — Lassen Sie beschädigte Teile sofort ersetzen
- **Benutzen Sie das Ladegerät nicht, wenn es fallen gelassen wurde, einen Stoß erhalten hat oder sonst wie beschädigt wurde.** Bringen Sie es zu einem autorisierten Reparaturdienst.
- **Demontieren Sie das Ladegerät nicht selbst; bringen Sie es zur Reparatur oder zur Wartung zu einem autorisierten Reparaturdienst.** Falscher Zusammenbau kann das Risiko einer Brandgefahr, eines Stromschlags oder Tod durch Stromschlag zur Folge haben.
- Ein defektes Netzkabel muss sofort durch den Hersteller, seinen Servicedienst oder eine ähnlich qualifizierte Person ersetzt werden, um eine Gefährdung zu vermeiden.
- **Trennen Sie das Ladegerät vom Stromnetz, bevor Sie es reinigen. Das reduziert das Risiko eines Stromschlags.** Das Entfernen der Batterie reduziert das Risiko nicht.
- Versuchen Sie **NIEMALS**, 2 Ladegeräte miteinander zu verbinden.
- **Das Ladegerät ist für den Betrieb an einem üblichen Stromnetz mit 230 V vorgesehen.** Versuchen Sie nicht, es mit einer anderen Spannung zu betreiben. Dies bezieht sich nicht auf das Fahrzeugladegerät.
- **Stellen Sie sicher, dass das Ladegerät an einem sicheren und stabilen Platz steht.** Eine herunterfallende Batterie kann Sie selbst und/oder andere verletzen.

BEWAHREN SIE DIESE ANWEISUNGEN AUF

Ladegeräte

Trend Ladegeräte benötigen keine Einstellung und sind so konzipiert, dass sie so einfach wie möglich zu bedienen sind.

Das T18S/CH6A Ladegerät arbeitet mit 18 V Li-Ion Trend-Batterien (T18S/BA2A, T18S/BA4AM und T18S/BA5A).



WARNUNG: Laden nur in passenden 18 V Ladegeräten. Die Verwendung von anderen Ladegeräten kann Brandgefahr, Beschädigung oder ernsthafte Verletzungen zur Folge haben.

Laden und Betrieb der Batterie - (Fig. 4 - 4d)



- Die Batterie hat beim Versand nur eine niedrige Ladung, um mögliche Probleme zu vermeiden. Laden Sie deshalb die Batterie bis die grüne LED-Anzeige rechts auf der Vorderseite aufleuchtet.
- **HINWEIS:** Batterien werden beim ersten Mal nicht voll aufgeladen. Für eine vollständige Aufladung werden mehrere Zyklen (Betrieb mit anschließendem Aufladen) benötigt.
- Lesen Sie zuerst die Sicherheitsrichtlinien und dann die Ladeanleitung.
- Schließen Sie das Ladegerät an eine übliche 230 V-50Hz Netzsteckdose an, leuchtet die grüne LED links auf der Vorderseite auf.
- Stellen Sie sicher, dass das Kabel nicht verknotet oder geknickt wird.
- Setzen Sie die Batterie in die Ladestation ein. (Beachten Sie die ausgestellten Rippen an der Batterie, die ein Einsetzen auf nur ein mögliche Weise zulassen). Stellen Sie die Ladezeit nur auf 32, 48 oder 54 Minuten ein.
- Die rote LED rechts auf der Vorderseite zeigt an, dass der Ladevorgang läuft. Eine grüne LED leuchtet auf, wenn der Ladevorgang abgeschlossen ist.
- Trennen Sie das Ladegerät nach dem Betrieb vom Stromnetz und verwahren Sie es in einem geeigneten Lagerschrank auf.
- Vermeiden Sie es, Ihre Batterie bei Frost zu laden, weil die Ladeleistung dann nicht ausreicht.
- Wenn Sie mehrere Batterien nacheinander laden wollen, lassen Sie das Ladegerät nach einem Ladevorgang mindestens 30 Minuten abkühlen, bevor Sie die nächste Batterie laden.
- Entfernen Sie immer die Batterie aus dem Werkzeug und bewahren sie sicher auf, wenn es nicht in Betrieb ist.



VORSICHT: Wenn während eines Ladevorgangs keine LED leuchtet, entfernen Sie Batterie aus dem Ladegerät, um eine Beschädigung des Produkts zu vermeiden. Setzen Sie KEINE andere Batterie in das Ladegerät ein.

Kühlsystem

Das Ladegerät ist mit einem internen Ventilator zur Kühlung das Ladegerät ausgestattet. Betreiben Sie das Ladegerät niemals, wenn der Ventilator nicht einwandfrei arbeitet oder die Lüftungsschlitze verstopft sind. Verhindern Sie das Eindringen von Fremdkörpern in das Ladegerät.

Heiß/Kalt Batterie-Verzögerung

Stellt das Ladegerät fest, dass eine Batterie zu heiß oder zu kalt ist, wird automatisch die Heiß/Kalt Batterie-Verzögerung gestartet, die den Ladevorgang unterbricht, bis die Batterie wieder eine normale Temperatur erreicht. Das Ladegerät setzt dann den Ladevorgang automatisch fort. Diese Funktion stellt eine maximale Lebensdauer der Batterie sicher.

Elektronisches Schutzsystem

Trend Li-Ion Werkzeuge sind mit einem elektronischen Schutzsystem ausgestattet, das die Batterie vor Überladung, Überhitzung oder vollständiger Entladung schützt.

Das Werkzeug wird automatisch abgeschaltet, wenn sich das elektronische Schutzsystem einschaltet.

Laden von Batterien im Innenbereich

Dieses Ladegerät ist für den Betrieb im Innenbereich bestimmt. Wir empfehlen jedoch keinen Betrieb in Ihrer Wohnung. Idealerweise sollten Batterien auf einer Werkbank in einer Werkstatt, Garage oder Bauhütte geladen werden. Wenn Sie einen Ladevorgang in Ihrer Wohnung durchführen, dann sollte der Bereich gut belüftet sein, das Ladegerät auf einem nicht brennbaren Untergrund stehen und die Lüftungsschlitze sollten frei sein.

Wandmontage

Diese Ladegeräte sind dafür konstruiert, an einer Wand montiert zu werden oder aufrecht auf einem Tisch oder einer Arbeitsfläche zu stehen. Bei einer Wandmontage platzieren Sie das Ladegerät in Reichweite einer Steckdose und nicht in der Nähe einer Ecke oder anderen Behinderungen, die den Luftstrom erschweren. Benutzen Sie die Rückseite des Ladegeräts als Schablone, um die richtige Position der Montageschrauben an der Wand zu bestimmen. Montieren Sie das Ladegerät fest mit geeigneten Schrauben. Je nach Wandbeschaffenheit wird ein Durchmesser des Schraubenkopfes von 7 – 9mm und einer Schraubenlänge von 25mm empfohlen. Lassen Sie

eine geeignete Länge der Schrauben sichtbar, um das Ladegerät einhängen zu können. Richten Sie die Schlitzle auf der Rückseite des Ladegeräts an den Schrauben in der Wand aus und lassen sie das Gerät vollständig einrasten.

Hinweise zur Reinigung des Ladegeräts



WARNUNG: Gefahr durch Stromschlag. Trennen Sie das Ladegerät vom Stromnetz, bevor Sie es reinigen. Schmutz und Fett auf der Außenseite des Ladegeräts sollten mit einem Lappen oder einer weichen nichtmetallischen Bürste entfernt werden. Verwenden Sie kein Wasser oder Reinigungsflüssigkeit. Verhindern Sie das Eindringen von Flüssigkeiten in das Werkzeug und tauchen Sie es niemals in eine Flüssigkeit.

Batterien

Wichtige Sicherheitsrichtlinien für alle Batterien

Bei der Bestellung von Ersatzbatterien geben Sie die Produktbezeichnung und Spannung an.

Die neue Batterie ist nicht vollständig geladen. Lesen Sie vor der Nutzung von Batterie und Ladegerät die unten stehenden Sicherheitsrichtlinien durch. Befolgen Sie dann die Beschreibungen des Ladevorgangs.

LESEN SIE ALLE ANWEISUNGEN SORGFÄLTIG DURCH

- **Laden oder betreiben Sie die Batterie nicht in explosionsgefährdeten Bereichen wie z. B. in Gegenwart von brennbaren Flüssigkeiten, Gasen oder Staub.** Bei Entnahme der Batterie aus dem Ladegerät oder Einsetzen der Batterie in das Ladegerät können Staub oder Gase entzündet werden.
- **Wenden Sie niemals Gewalt beim Einsetzen der Batterie in das Ladegerät an. Die Batterie darf in keiner Weise verändert werden, damit sie in ein nicht kompatibles Ladegerät passt. Die Batterie kann dabei reißen und Verletzungen zur Folge haben.**
- Laden Sie die Batterien nur in Trend-Ladegeräten.
- Bespritzen Sie die Batterien **NIEMALS** oder tauchen sie in Wasser oder andere Flüssigkeiten.
- **Lagern Sie das Werkzeug und die Batterie nicht an Orten, an denen die Temperatur unter 4°C (34°F) (wie außen liegende Verschläge oder ein Metallbau im Winter) fallen kann oder wo die Temperatur 40°C (104°F) oder mehr erreichen kann (wie außen liegende Verschläge oder ein Metallbau im Sommer).**
- **Verbrennen Sie die Batterie niemals, auch wenn sie stark beschädigt oder total zerstört ist.** Die Batterie kann in Feuer explodieren. Es entstehen giftige Dämpfe und Stoffe, wenn Lithium-Ionen Batterien verbrannt werden.

- **Bei Hautkontakt mit Batterieflüssigkeit waschen Sie den betroffenen Bereich sofort mit milder Seife und Wasser ab.** Bei Augenkontakt mit Batterieflüssigkeit halten Sie das geöffnete Auge für 15 Minuten oder bis die Reizung nachlässt unter fließendes Wasser. Wird ärztliche Behandlung benötigt: die Elektrolytlösung besteht aus einer Mixtur aus flüssigen organischen Karbonaten und Lithiumsalzen.

- **Inhalte einer offenen Batterie können Atemreizungen verursachen.** Sorgen Sie für Frischluftzufuhr. Wenn die Symptome andauern, begeben Sie sich in ärztliche Behandlung.



WARNUNG: Gefahr durch Verbrennung. Batterieflüssigkeit kann brennbar sein, wenn sie Funken oder Flammen ausgesetzt wird.



WARNUNG: Versuchen Sie auf gar keinen Fall, die Batterie aus irgendeinem Grund zu öffnen. Wenn die Batterie gerissen oder beschädigt ist, setzen Sie sie nicht in das Ladegerät ein. Sie sollten die Batterie nicht fallen lassen, quetschen oder beschädigen. Benutzen Sie die Batterie oder das Ladegerät nicht, wenn es einem starken Schlag ausgesetzt war, fallen gelassen wurde, überfahren wurde oder in einer anderen Art und Weise beschädigt wurde (z. B. mit einem Nagel durchstoßen, mit einem Hammer geschlagen oder wenn jemand auf die Gerätschaften getreten ist). Ein Stromschlag oder Tod durch Stromschlag können die Folge sein. Beschädigte Batterien sollten einem Servicecenter zur Wiederverwertung zurückgegeben werden.



WARNUNG: Brandgefahr. Lagern oder tragen Sie die Batterie nur so, dass keine Metallteile mit den Batteriepolen in Kontakt kommen. Bringen Sie die Batterie z. B. nicht in Schürzen, Taschen, Werkzeugkästen, Boxen für Werkzeugsätze, Schubladen etc., zusammen mit losen Nägeln, Schrauben, Schlüsseln etc. unter.



VORSICHT: Platzieren Sie das Werkzeug auf seiner Seite auf einer stabilen Oberfläche so, dass niemand darüber stolpern oder das Werkzeug herunterfallen kann, wenn es nicht benutzt wird. Einige Werkzeuge mit großen Batterien können senkrecht auf der Batterie stehen, aber leicht umgestoßen werden.

Batteriebetrieb

Ladestatus

Um die verbliebene Lademenge in der Batterie anzuzeigen, drücken Sie den Schalter für die Ladezustandsanzeige, (Abb. 2). Abb 2a zeigt den Zusammenhang zwischen der LED Anzeige und der verbliebenen Lademenge..

HINWEIS: Die Ladezustandsanzeige ist nur ein Anhaltspunkt über die verbliebene Lademenge der Batterie. Sie gibt keinen Hinweis auf die Funktionalität des Werkzeugs und kann aufgrund von Bestandteilen des Produkts, Temperatur und der Nutzung des Endverbrauchers schwanken.

Selbstentladung

Eine Lithium Batterie kann sich selbst entladen und seine gespeicherte Ladung verlieren. Bei Lagerung unter Raumtemperatur kann sie normalerweise ungefähr 5 % ihrer Ladung im ersten Monat nach vollständiger Ladung und dann weitere 3 % pro Monat verlieren. Bei Lagerung unter höheren Temperaturen kann sich die Entladung beschleunigen.

Transport



WARNUNG: Brandgefahr. Beim Transport von Batterien kann versehentlich Feuer entstehen, wenn die Batteriepole in Berührung mit leitenden Materialien kommen. Stellen Sie beim Transport von Batterien sicher, dass die Batteriepole geschützt und gut isoliert von Materialien sind, die mit ihnen in Berührung kommen und einen Kurzschluss verursachen können.

HINWEIS: Lithium-Ionen-Batterien sollten nicht in aufgegebenem Gepäck untergebracht werden.

Trend-Batterien entsprechen allen industriellen und gesetzlichen Transportvorschriften inklusive UN-Empfehlungen zum Transport von gefährlichen Gütern; Internationaler Luftverkehrsverband (IATA) Bestimmungen für gefährliche Güter, Internationale maritime Bestimmungen für gefährliche Güter (IMDG), und die Europäische Vereinbarung für die internationale Beförderung von gefährlichen Gütern auf dem Landweg (ADR). Lithium-Ionen-Zellen und Batterien sind gemäß Paragraph 38.3 des Handbuchs für Test und Maßstäbe der UN Empfehlungen zum Transport von gefährlichen Gütern getestet.

In den meisten Fällen wird der Transport einer Trend-Batterie von der Klassifizierung als vollständig geregeltes Klasse 9 gefährliches Gut ausgenommen. Allgemein ist nur beim Versand von Lithium-Ionen-Batterien mit einer Energiekennzahl größer 100 Wattstunden (Wh) eine Klassifizierung als vollständig geregeltes Klasse 9 gefährliches Gut erforderlich.

Die Wattstunden sind bei allen Lithium-Ionen-Batterien auf der Batterie gekennzeichnet. Außerdem empfiehlt Trend wegen komplexer Vorschriften nicht den Versand per Luftfracht von einzelnen Lithium-Ionen-Batterien unabhängig von der Energiekennzahl. Die Lieferung von Werkzeugen mit Batterien (Kombipaket) kann als Ausnahme per Luftfracht durchgeführt werden, wenn die Energiekennzahl der Batterie nicht größer 100 Wh ist.

Ungeachtet, ob eine Sendung als ausgenommen oder vollständig geregelt betrachtet wird, ist es die Verantwortung des Spediteurs, die gültigen

Bestimmungen für Verpackung, Kennzeichnung und Dokumentation zu berücksichtigen.

Die Informationen in diesem Abschnitt der Gebrauchsanweisung werden in gutem Glauben über die Richtigkeit der Angaben zum Zeitpunkt der Erstellung des Dokuments zur Verfügung gestellt. Jedoch wird keinerlei Gewährleistung übernommen. Es liegt in der Verantwortung des Käufers, die entsprechenden Richtlinien zu befolgen.

Empfehlungen für die Lagerung

Der beste Platz für die Lagerung ist kühl und trocken, ohne direktem Sonnenlicht und keiner extremen Hitze oder Kälte ausgesetzt zu sein. Für optimale Leistung und Lebensdauer lagern Sie Batterien bei Raumtemperatur, wenn sie nicht in Betrieb sind.

Bei einer längeren Lagerzeit wird empfohlen, die Batterie vorher vollständig zu laden und an einem kühlen, trockenen Platz außerhalb des Ladegeräts zu lagern.

HINWEIS: Batterien sollten nicht komplett entladen gelagert werden. Vor dem Betrieb muss die Batterie wieder aufgeladen werden.

Aufkleber auf Ladegerät und Batterie

Zusätzlich zu den in dieser Gebrauchsanweisung verwendeten Abbildungen können auf Ladegerät und Batterie die folgenden Abbildungen vorkommen: -



Betriebsanleitung vor Gebrauch lesen.



Siehe Technische Daten bzgl. Wechselintervalle.



Batterie wird geladen.



Batterie ist geladen.



Batterie ist defekt.



Ladungsverzögerung (Akku ist abgekühlt oder zu kalt).



Keine Prüfung mit leitfähigen Objekten..



Beschädigte Batterien nicht laden.



Nicht Wasser aussetzen.



Defekte Kabel sofort austauschen lassen.



Laden nur bei Temperaturen zwischen 4°C und 40°C.



Nur für den Betrieb im Außenbereich.



Li-Ion Batterie umweltfreundlich entsorgen..



Batterie nicht verbrennen.

IM LIEFERUMFANG ENTHALTENE ARTIKEL

- 1 x Akku-Schlagschrauber
- 1 x Bedienungsanleitung

HINWEIS: B Modelle beinhalten keine Batterien, Ladegeräte und Werkzeugsätze.

- Prüfen Sie, ob das Werkzeug, die Teile oder das Zubehör während des Transports beschädigt wurden.
- Nehmen Sie sich die Zeit, diese Bedienungsanleitung vor der Inbetriebnahme gründlich zu lesen und zu verstehen.

MARKIERUNGEN AUF DEM WERKZEUG

Die folgenden Abbildungen sind auf dem Werkzeug zu sehen:



Betriebsanleitung vor Gebrauch lesen.

Position Datumcode

Das Herstellungsjahr ist auf dem Typenschild angegeben.

BESCHREIBUNG DER TEILE - (Fig. 1)

- A. Auslöseschalter
- B. Vorwärts/Rückwärts Druckschalter
- C. Moduswahlschalter
- D. Schlüsselloses Spannfutter 1/4" (6,35 mm)
- E. Lampe
- F. Griff
- G. Batteriefach
- H. Gürtelhaken

VERWENDUNGSZWECK

Dieser Schlagschrauber ist für Schlagschraubarbeiten konzipiert. Diese Schlagfunktion ist nützlich, um Befestigungen in Holz, Metall und Beton zu treiben.

NICHT ununter nassen Bedingungen oder in der Nähe von brennbaren Flüssigkeiten oder Gasen verwenden.

Diese Bohrmaschinen/Schrauber/Bohrhämmer sind professionelle Elektrowerkzeuge.

Lassen Sie **NIEMALS** Kinder mit diesem Werkzeug in Kontakt kommen. Beaufsichtigen Sie unerfahrene Bediener, wenn diese das Werkzeug verwenden.

- **Kleine Kinder und Gebrechliche.** Diese Vorrichtung ist nicht zur Verwendung durch Kinder und gebrechliche Personen ohne Aufsicht bestimmt.

- Dieses Produkt ist nicht zur Verwendung durch Personen (einschließlich Kinder) bestimmt, die unter verminderten körperlichen, sensorischen oder geistigen Fähigkeiten leiden; es ihnen an Erfahrung, Wissen oder Fähigkeiten fehlt, es sei denn, sie werden von einer für ihre Sicherheit verantwortlichen Person beaufsichtigt. Kinder sollten mit diesem Produkt niemals allein gelassen werden.

MONTAGE UND ZUBEHÖR



WARNUNG: Um Verletzungen zu vermeiden, schalten Sie das Werkzeug aus und entfernen Sie die Batterie, bevor Sie irgendwelche Einstellungen vornehmen oder Zubehörteile entfernen oder anbringen. Das Starten des Werkzeugs aus Versehen kann Verletzungen verursachen.



WARNUNG: Verwenden Sie nur Trend-Batterien und Ladegeräte.

Ladezustand der Batterie - (Fig. 2 - 2a)

Um die verbliebene Lademenge in der Batterie anzuzeigen, drücken Sie den Schalter für die Ladezustandsanzeige.

HINWEIS: Die Ladezustandsanzeige ist nur ein Anhaltspunkt über die verbliebene Lademenge der Batterie. Sie gibt keinen Hinweis auf die Funktionalität des Produkts, Temperatur und der Nutzung des Endverbrauchers schwanken.

Einsetzen in das und Entfernen der Batterie aus dem Werkzeug - (Fig. 3 - 3a)



HINWEIS: Stellen Sie sicher, dass Ihre Batterie vollständig geladen ist.

HINWEIS: Um ernsthafte Verletzungen zu vermeiden, entfernen Sie die Batterie und berühren Sie nicht die Sperre, wenn Sie das Werkzeug tragen oder transportieren.

Falsches Einsetzen der Batterie kann innere Bauteile beschädigen.

Einsetzen der Batterie in das Werkzeug Griff - (Fig. 3)

- Richten Sie die Batterie an den Schienen im Batteriefach aus.
- Schieben Sie die Batterie vorsichtig in das Batteriefach bis die Batterie fest sitzt und achten Sie darauf, dass die Sperre einrastet.

Entfernen der Batterie aus dem Werkzeug - (Fig. 3a)

- Drücken Sie die Freigabetaste und ziehen sie die Batterie fest aus dem Batteriefach.
- Setzen Sie die Batterie, wie im Abschnitt zum Laden in diesem Handbuch beschrieben, in das Ladegerät ein.

Auslöseschalter für variable Geschwindigkeit - (Fig. 5)

- Zum Einschalten drücken Sie den Auslöseschalter.
- Zum Ausschalten lassen Sie den Auslöseschalter los. Ihr Gerät ist mit einer Bremse ausgestattet. Das Spannfutter hält an, sobald der Auslöseschalter vollständig losgelassen wurde

HINWEIS: Dauernder Gebrauch mit variabler Geschwindigkeit wird nicht empfohlen. Es kann den Schalter beschädigen und sollte vermieden werden.

Vorwärts/Rückwärts Kontrollschalter - (Fig. 6)

- Ein Vorwärts/Rückwärts Kontrollschalter bestimmt die Schraubrichtung des Geräts und dient auch als Sperrschalter.
- Um eine Rotation vorwärts zu wählen, lösen Sie den Auslöseschalter und drücken Sie den Vorwärts/Rückwärts Kontrollschalter auf der rechten Seite des Geräts.
- Um eine Rotation rückwärts zu wählen, drücken Sie den Vorwärts/Rückwärts Kontrollschalter auf der linken Seite des Geräts.
- Die Mittelstellung des Kontrollschalters sperrt das Gerät. Vor dem Wechsel der Position des Kontrollschalters stellen Sie sicher, dass der Auslöseschalter gelöst ist.

HINWEIS: Beim ersten Betrieb des Geräts nach einem Wechsel der Rotationsrichtung können Sie ein Klicken beim Start hören. Das ist normal und deutet nicht auf ein Problem hin.

Gürtelhaken - (Fig. 7)



WICHTIG: Beim Anbringen oder Auswechseln des Gürtelhakens oder der Schraubeinsatzklammer verwenden Sie nur die mitgelieferte Schraube. Ziehen Sie die Schraube fest an.

- Der Gürtelhaken kann für Rechts- oder Linkshänder entweder an der rechten oder der linken Seite des Geräts mit der mitgelieferten Schraube angebracht werden. Falls der Haken oder die Klammer nicht erwünscht sind, können Sie vom Gerät entfernt werden.
- Um den Gürtelhaken zu bewegen, lösen Sie die Schraube, die ihn festhält und bringen Sie ihn auf der gegenüberliegenden Seite an. Ziehen Sie die Schraube fest an.



WARNUNG: Um Verletzungen zu vermeiden, schalten Sie das Werkzeug aus und entfernen Sie die Batterie, bevor Sie irgendwelche Einstellungen vornehmen oder Zubehörteile entfernen oder anbringen.



WARNUNG: Um Verletzungen zu vermeiden hängen Sie das Gerät **NICHT** Überkopf auf oder hängen Sie Objekte an den Gürtelhaken. Hängen Sie das Gerät am Gürtelhaken **NUR** an einen Arbeitsgürtel.



WARNUNG: Um Verletzungen zu vermeiden, stellen Sie sicher, dass die Schraube, die den Gürtelhaken hält, fest angezogen ist.


Schnellspannfutter - (Fig. 8 - 8a)

WARNUNG: Verwenden Sie nur Zubehörteile für Schlagschrauber. Zubehörteile, die nicht für Schlagschrauber gedacht sind, können brechen und eine Gefahr verursachen. Überprüfen Sie vor dem Betrieb, dass das Zubehör keine Risse hat.

HINWEIS: Das Spannfutter ist nur für 6,35mm (1/4 - Zoll) Sechskant Zubehör ausgelegt.

- Bringen Sie den Vorwärts/Rückwärts Schalter in die Mittelposition oder entfernen Sie die Batterie, bevor Sie Zubehörteile auswechseln.
- Um ein Zubehörteil zu installieren, Ziehen Sie den Spannfutterkragen nach vorne [1] und drücken Sie das Zubehörteil in das Spannfutter. Schieben Sie den Spannfutterkragen zurück um das Zubehörteil zu sichern.
- Um ein Zubehörteil zu entfernen, ziehen Sie den Spannfutter von der Vorderseite des Werkzeugs weg, entfernen Sie das Zubehörteil und geben den Kragen frei.

Moduswahlschalter - (Fig 9)

 **WARNUNG:** Um Verletzungen zu vermeiden, entfernen Sie Zubehörteile vom Spannfutter des Geräts, bevor Sie den Moduswahlschalter betätigen.


Ihr Gerät ist mit einem Moduswahlschalter ausgestattet. Die untenstehende Tabelle zeigt die drei verschiedenen Modi.

Geschwindigkeit	Richtung	Status der Lampe	Anwendung
Niedrig	Vorwärts	Grün	Niedriges Drehmoment und Abschluss der Arbeit
Hoch	Vorwärts	Grün	Einsatzbereiche mit hohem Drehmoment z.B. Blechschrauben
Reverse Auto-Stopp	Umkehren	Bernstein	Umkehren


BETRIEB




 **WARNUNG:** Beachten Sie immer die Sicherheitsrichtlinien und gültigen Vorschriften.

 **WARNUNG:** Um Verletzungen zu vermeiden, schalten Sie das Werkzeug aus und entfernen Sie die Batterie, bevor Sie irgendwelche Einstellungen vornehmen oder Zubehörteile entfernen oder anbringen. Das Starten des Werkzeugs aus Versehen kann Verletzungen verursachen.

Richtige Handstellung - (Fig. 10)

 **WARNUNG:** Um das Risiko schwerer Verletzungen zu vermeiden, achten Sie **IMMER** auf die richtige Handstellung wie gezeigt.

 **WARNUNG:** Um das Risiko schwerer Verletzungen zu vermeiden, halten Sie das Werkzeug **IMMER** sicher fest, um auf eine unerwartete Reaktion vorbereitet zu sein.

Bei richtiger Handstellung muss eine Hand auf der Oberseite des Schraubers liegen und die andere Hand am Hauptgriff.

Nutzung des Schlagschraubers 


Der Schlagschrauber erzeugt das folgende maximale Drehmoment: 145Nm.

- Führen Sie das Zubehörteil in das Spannfutter ein. Halten Sie das Gerät so, dass die Spitze gerade auf das Werkstück zeigt.
- Drücken Sie den Auslöseschalter um den Arbeitsvorgang zu starten. Lassen Sie den Auslöseschalter los, um den Arbeitsvorgang zu stoppen. Prüfen Sie das Drehmoment regelmäßig mit einem Drehmomentschlüssel, da das Anzugsdrehmoment von vielen Faktoren wie den folgenden abhängt:
- **Stromspannung:** Niedrige Stromspannung durch eine nahezu entladene Batterie verringert das Anzugsdrehmoment.
- **Steckdosengröße:** Verwendung einer falschen Steckdosengröße verringert das Anzugsdrehmoment.
- **Schraubengröße:** Schrauben mit größerem Durchmesser erfordern gewöhnlich ein höheres Anzugsdrehmoment. Das Anzugsdrehmoment variiert auch je nach Länge, Grad und Drehmomentkoeffizient.
- **Schraube:** Achten Sie darauf, dass alle Gewinde frei von Rost und anderen Rückständen sind um ein optimales Drehmoment zu gewährleisten.
- **Material:** Das Material und die Beschaffenheit der Oberfläche des Materials beeinflussen das Drehmoment.
- **Befestigungsdauer:** Eine längere Befestigungsdauer; kann ein höheres Drehmoment verursachen. Eine längere Befestigungsdauer als empfohlen kann die Befestigungselemente überbelasten, abisolieren oder beschädigen.

 **WARNUNG:** Die Vorderseite des Schlagschraubers kann heiß werden.

INSTANDHALTUNG  Bitte verwenden Sie nur Original-Ersatzteile und Zubehör von Trend.


Das Elektrowerkzeug ist so konzipiert, dass er über einen langen Zeitraum mit minimalem Wartungsaufwand verwendet werden kann. Ein dauerhaft zufriedenstellender Betrieb hängt von der richtigen Pflege und der regelmäßigen Reinigung ab.

 **WARNUNG:** Um Verletzungen zu vermeiden, schalten Sie das Werkzeug aus und entfernen Sie die Batterie, bevor Sie irgendwelche Einstellungen vornehmen oder Zubehörteile entfernen oder anbringen.

Das Starten des Werkzeugs aus Versehen kann Verletzungen verursachen.

Das Ladegerät und die Batterie sind nicht zu warten.

Vermeiden Sie die Reinigung von Kunststoffteilen mit Lösungsmitteln. Die meisten Kunststoffe sind empfindlich gegen viele Arten von Lösungsmitteln und können durch ihren Einsatz beschädigt werden. Benutzen Sie saubere Lappen um Dreck, Staub, Öl, Fett usw. zu entfernen.


 **WARNUNG:** Vermeiden sie jederzeit den Kontakt von Bremsflüssigkeiten, Benzin, Produkten auf Petroleumbasis, Kriechölen etc. mit Kunststoffteilen. Chemikalien können Kunststoffe beschädigen, aufweichen oder zerstören. Das kann schwere Verletzungen zur Folge haben.


Die Bearbeitung von Glasfaserstoffen, Wandtafeln, Spachtelmassen oder Putz kann Ursache für schnellerer Abnutzung und vorzeitige Störungen sein, da Splitter von Glasfaserstoffen aggressiv auf Halterungen, Bürsten, Kommutatoren etc. einwirken. Deshalb raten wir konsequenterweise von dem längeren Einsatz dieses Werkzeugs auf diesen Stoffen ab. Wenn Sie mit diesen Stoffen arbeiten, ist es extrem wichtig, das Werkzeug mit Druckluft zu reinigen.

Schmierung

- Ihr Elektrowerkzeug benötigt keine zusätzliche Schmierung.

Reinigung



 **WARNUNG:** Blasen Sie Schmutz und Staub mit Druckluft aus dem Hauptgehäuse, sobald Ansammlungen von Schmutz um die und in den Lüftungsöffnungen zu sehen ist. Tragen Sie eine geprüfte Schutzmaske für die Augen und eine geprüfte Staubschutzmaske, wenn Sie diese Prozedur durchführen.

 **WARNUNG:** Verwenden Sie niemals Lösungsmittel oder andere scharfe Chemikalien für die Reinigung von nichtmetallischen Teilen des Werkzeugs. Diese Chemikalien können die Materialien, die in diesen Teilen verwendet werden, aufweichen. Benutzen Sie nur einen mit Wasser befeuchteten Lappen und milde Seife. Verhindern Sie das Eindringen von Flüssigkeiten in das Werkzeug und tauchen Sie es niemals in eine Flüssigkeit.

Lagerung

- Nach der Nutzung verwahren Sie das Werkzeug wieder in der Verpackung..


UMWELTSCHUTZ 

 Geben Sie Rohstoffe zur Wiederverwertung und entsorgen Sie sie nicht als Abfall..
 Zubehörteile und Verpackung sollten zur umweltfreundlichen Wiederverwertung aussortiert werden.

Getrennte Sammlung. Dieses Produkt darf nicht im normalen Haushaltsabfall entsorgt werden.

Batterien und die Umwelt 

Dieses Gerät verwendet Lithium Ionen (Li-Ion) Batterien. Wenn Batterien ausgetauscht werden müssen, empfehlen wir folgendes: Entladen Sie die Batterien vollständig und entfernen Sie sie aus dem Werkzeug.

 Li-Ionen-Zellen sind wiederverwertbar und dürfen nicht im Haushaltsabfall entsorgt werden. Es muss vermieden werden, dass sie in einer Müllverbrennungsanlage oder auf einer Mülldeponie enden.

Übergeben Sie die Batterien stattdessen einem Trend-Servicemitarbeiter, einem örtlichen Trend-Fachhändler oder einer örtlichen Wiederverwertungsanlage. Wenn nötig, kontaktieren Sie die örtliche Stadtverwaltung, um Informationen über die Entsorgung zu erhalten. Die gesammelten Batterien werden dann ordnungsgemäß entsorgt und/oder der Wiederverwertung zugeführt.

Private Nutzer

Lokale Verordnungen geben Auskunft über getrennte Entsorgung von elektrischen Haushaltsprodukten auf örtlichen Mülldeponien oder bei Einzelhändlern bei Kauf eines neuen Produkts. Bitte rufen Sie den Trend Kundenservice an, um sich über die umweltfreundliche und sichere Entsorgung von nicht mehr benötigten elektrischen Produkten von Trend beraten zu lassen oder besuchen Sie die website www.trend-uk.com

Gewerbliche Nutzer

Bitte setzen Sie sich wegen der Entsorgung von nicht mehr benötigten elektrischen Produkten von Trend telefonisch mit dem Kundendienst in Verbindung.

GEWÄHRLEISTUNG

Das Gerät besitzt eine Herstellergarantie gemäß den Bedingungen auf der beiliegenden Garantiekarte.

Um den Standort Ihres nächsten Trend-Servicemitarbeiters zu erfahren, rufen Sie bitte den Trend-Kundenservice an oder kontaktieren Sie den nächsten Fachhändler unter www.trend-uk.com

FR – T18S/ID

Merci d'avoir acheté ce produit Trend, nous espérons qu'il vous procurera de nombreuses années d'usage créatif et productif.

N'oubliez pas de renvoyer votre carte de garantie dans les 28 jours de votre achat.

CARACTÉRISTIQUES TECHNIQUES

Tension	VCC	18
Type de batterie		Li-Ion
Dimension du mandrin	Pouce	1/4
Régime à vide	min-1	2,400 – 2,800
Poids	kg	1.13
Couple maxi	Nm	130
Vitesse de frappe	ipm	3000
Batterie*		
Capacité de la batterie	Ah	2
	Ah	4
	Ah	5
Chargeur*		
Tension d'entrée	V	220 - 240
Fréquence secteur	Hz	50/60
Tension de sortie	VDC	21
Intensité de sortie	A	6
Temps de charge T18S/BA2A**	min	32
Temps de charge T18S/BA4AM**	min	48
Temps de charge T18S/BA5A**	min	54
* seulement pour les modèles équipés d'une batterie et d'un chargeur		
** le temps de charge ne s'applique qu'à la batterie dont la capacité est mentionnée dans le tableau		
Les valeurs de bruit et de vibration (somme vectorielle triaxiale) sont déterminées conformément à la norme EN 62841-2-2		

Niveau de pression acoustique d'émission L_{pA}	dB (A)	78.1
Niveau de puissance acoustique L_{WA}	dB (A)	89.1
K_{pA} (incertitude sur la pression acoustique donnée)	dB (A)	3
Valeur d'émission vibratoire ah	m/s ²	8.58
Incertitude K =	m/s ²	1.5

Le niveau d'émission vibratoire et/ou de bruit indiqué dans cette fiche d'information a été mesuré conformément à un essai normalisé de la norme EN62841 et peut être utilisé pour comparer un outil à un autre. Il peut être utilisé comme évaluation préliminaire d'exposition.



AVERTISSEMENT: Le niveau d'émission vibratoire déclaré représente l'usage principal de l'outil. Toutefois, si l'outil est utilisé pour d'autres usages, avec d'autres accessoires ou est mal entretenu, les émissions vibratoires peuvent être différentes.

Ceci peut augmenter notablement le niveau d'exposition sur la durée totale du travail. Une estimation du niveau d'exposition aux vibrations doit aussi prendre en compte les moments où l'outil est arrêté ou lorsqu'il est en marche mais pas effectivement au travail. Ceci peut réduire notablement le niveau d'exposition sur la durée totale de travail. Identifiez les mesures de sécurité supplémentaires permettant de protéger l'opérateur des effets secondaires des vibrations, telles que : entretenir l'outil et les accessoires, garder les mains au chaud, organiser les séquences de travail.

DÉCLARATION DE CONFORMITÉ CE À LA DIRECTIVE MACHINE



CLÉ À CHOCS SANS FIL

T18S/ID

Trend déclare que le produit décrit sous la rubrique Caractéristiques techniques est conforme à la norme 2006/42/CE, et a été conçu selon les normes EN 62841-2-2:2014, EN 62841-1:2015.

Ce produit est aussi conforme aux directives 2014/30/UE et 2011/65/UE.

Pour en savoir plus, contactez Trend à l'adresse suivante ou consultez la couverture du manuel. Le soussigné effectue cette déclaration pour le compte de Trend Tool Technology Ltd.

Neil McMillan
Technical Director

Trend Tool Technology Ltd,
Odams Trading Estate,
Watford, WD24 7TR,
Angleterre

01.08.2021

Technical File Contact
Trend Tool Technology Ltd,
3rd Floor, Kilmore House,
Park Lane, Spencer Dock,
Dublin 1, Irlande



AVERTISSEMENT: Pour réduire le risque de blessure, lisez le manuel d'instructions

Définitions: Directives de sécurité

Les définitions ci-dessous décrivent le niveau de gravité de chaque terme d'avertissement. Veuillez lire le manuel et prêter attention à ces symboles.



DANGER: Signale une situation de danger imminent qui, si elle n'est pas évitée, **conduira** à des **blessures graves voire mortelles**.



AVERTISSEMENT: Signale une situation potentiellement dangereuse qui, si elle n'est pas évitée, **pourrait** conduire à des **blessures graves voire mortelles**



ATTENTION: Signale une situation potentiellement dangereuse qui, si elle n'est pas évitée, **peut** conduire à des **blessures mineures ou modérées**.



AVIS: Signale une pratique **non associée à des blessures** qui, si elle n'est pas évitée, **peut** conduire à des **dommages matériels**.



Signale un risque d'électrocution.



Signale un risque d'incendie.



AVERTISSEMENTS GÉNÉRAUX DE SÉCURITÉ CONCERNANT LES OUTILS ÉLECTRIQUES



AVERTISSEMENT: Lisez tous les avertissements, ainsi que toutes les instructions, illustrations et spécifications fournis avec cet outil électrique. Le non-respect de toutes les instructions mentionnées ci-dessous peut conduire à un choc électrique, à un incendie et/ou à des blessures graves.

CONSERVEZ TOUS LES AVERTISSEMENTS ET TOUTES LES INSTRUCTIONS POUR RÉFÉRENCE ULTÉRIEURE

Le terme "outil électrique" dans les avertissements désigne votre outil électrique sur secteur (filaire) ou sur batterie (sans fil).

1) Sécurité électrique

a) Maintenez la zone de travail propre et bien éclairée. Cluttered or dark areas invite accidents.

b) N'actionnez pas les outils électriques dans des atmosphères explosives, par exemple en présence de liquides, gaz ou poussières inflammables. Les outils électriques créent des étincelles qui pourraient enflammer les poussières ou les fumées.

c) Maintenez les enfants et les spectateurs à l'écart pendant l'utilisation d'un outil électrique. Les distractions peuvent vous faire perdre le contrôle.

2) Electrical Safety

a) Les fiches des outils électriques doivent correspondre à la prise murale. Ne modifiez jamais la fiche de quelque façon que ce soit. N'utilisez pas d'adaptateur avec les outils électriques mis à la terre. Les fiches non modifiées sur des prises correspondantes réduisent le risque d'électrocution.

b) Évitez tout contact du corps avec des surfaces mises à la terre telles que canalisations, radiateurs, fourneaux et réfrigérateurs. Le risque d'électrocution est augmenté quand votre corps est mis à la terre.

c) N'exposez pas les outils électriques à la pluie ou à l'humidité. La pénétration d'eau dans un outil électrique augmente le risque d'électrocution.

d) Ne maltraitez pas le cordon. N'utilisez jamais le cordon pour transporter, tirer ou débrancher l'outil électrique. Maintenez le cordon à l'écart de la chaleur, de l'huile, des bords coupants ou des pièces mobiles. Les cordons endommagés ou emmêlés augmentent le risque d'électrocution.

e) Pour utiliser un outil électrique à l'extérieur, utilisez une rallonge conçue pour l'utilisation en extérieur. L'utilisation d'une rallonge conçue pour l'extérieur réduit le risque d'électrocution.

f) Si l'utilisation d'un outil électrique dans un lieu humide est inévitable, utilisez une alimentation protégée par un dispositif différentiel à courant résiduel (DDR). L'utilisation d'un DDR réduit le risque d'électrocution.

3) Sécurité des personnes

a) Restez attentif, surveillez ce que vous faites et faites preuve de bon sens quand vous utilisez un outil électrique. N'utilisez pas d'outil électrique quand vous êtes fatigué ou sous l'influence de drogues, d'alcool ou de médicaments. Un moment d'inattention pendant l'utilisation de l'outil électrique peut conduire à des blessures graves.

b) Utilisez un équipement de protection individuelle. Portez toujours une protection oculaire. Les équipements de protection tels que masque antipoussière, chaussures de sécurité antidérapantes, casque ou

protections auditives utilisés dans les conditions appropriées réduisent les risques de blessure.

c) Évitez un démarrage accidentel. Assurez-vous que l'interrupteur est en position arrêt avant de brancher l'outil à la source d'alimentation ou au bloc batterie, avant de le saisir ou avant de le transporter. Le transport d'outils électriques avec le doigt sur l'interrupteur ou la mise sous tension d'outils électriques avec l'interrupteur activé favorise les accidents.

d) Retirez les clés ou outils de réglage avant de démarrer l'outil électrique. Une clé ou outil de réglage fixé à une pièce tournante de l'outil électrique peut causer des blessures.

e) Ne travaillez pas en extension. Maintenez un appui et un équilibre correct à tout moment. Ceci permet un meilleur contrôle de l'outil électrique dans des situations inattendues.

f) Portez une tenue adéquate. Ne portez pas de vêtements amples ni de bijoux. Maintenez les cheveux et les vêtements à l'écart des pièces mobiles. Les vêtements amples, bijoux ou cheveux longs peuvent se coincer dans les pièces mobiles.

g) Si des dispositifs sont prévus pour le raccordement de systèmes d'extraction et de collecte de poussière, assurez-vous qu'ils sont raccordés et correctement utilisés. L'utilisation d'un système de collecte de poussière peut réduire les dangers dus aux poussières.

h) Ne laissez pas les habitudes dues à une utilisation fréquente des outils vous conduire à la négligence et à ignorer les principes de sécurité des outils. Une activation sans précaution peut causer des blessures graves en une fraction de seconde.

4) Utilisation et entretien de l'outil électrique

a) Ne forcez pas sur l'outil électrique. Utilisez l'outil électrique adapté à votre application. L'outil électrique correct fera un meilleur travail et de manière plus sûre à la vitesse pour laquelle il a été conçu.

b) N'utilisez pas l'outil électrique si l'interrupteur ne permet pas de le mettre en route et de l'arrêter. Tout outil électrique qui ne peut pas être commandé par l'interrupteur est dangereux et doit être réparé.

c) Débranchez la fiche de la source d'alimentation et/ou du bloc batterie, s'il est amovible, de l'outil électrique avant d'effectuer tout réglage, tout changement d'accessoire ou avant de ranger l'outil électrique. Ces mesures de sécurité préventives réduisent le risque en cas de démarrage accidentel de l'outil électrique.

d) Stockez les outils électriques hors de portée des enfants quand ils ne sont pas utilisés et ne laissez pas des personnes ne connaissant pas l'outil électrique ou ses instructions l'utiliser. Les outils électriques sont dangereux entre les mains

d'utilisateurs non formés.

e) Entretenez les outils électriques et leurs accessoires. Recherchez les éventuels défauts d'alignement ou coincements de pièces mobiles, ruptures de pièces et toute autre condition pouvant gêner le fonctionnement des outils électriques. S'il est endommagé, faites réparer l'outil électrique avant de l'utiliser. Beaucoup d'accidents ont pour cause un mauvais entretien des outils électriques.

f) Maintenez les outils de coupe affûtés et propres. Un entretien correct des outils de coupe à bords affûtés réduit la probabilité de coincement et facilite le contrôle.

g) Utilisez l'outil électrique, ses accessoires et forets, etc. conformément à ces instructions, en prenant en compte les conditions de travail et le travail à accomplir. L'utilisation de l'outil électrique pour des opérations différentes de celles prévues pourrait conduire à une situation dangereuse.

h) Maintenez les poignées et prises propres, sèches et sans huile ni graisse. Des poignées et prises glissantes compromettent la sécurité de manipulation et de contrôle de l'outil en situation inattendue.

5) Utilisation et entretien de l'outil à batterie

a) N'utilisez pour la recharge que le chargeur préconisé par le constructeur. Un chargeur convenant pour un certain type de bloc batterie peut causer un risque d'incendie en cas d'utilisation avec un autre bloc batterie.

b) N'utilisez les outils électriques qu'avec les blocs batterie spécifiquement conçus pour eux. L'utilisation de tout autre type de bloc batterie peut causer un risque de blessure et d'incendie.

c) Quand le bloc batterie n'est pas utilisé, maintenez-le à l'écart des autres objets métalliques, tels que trombones, pièces de monnaie, clés, clous, vis ou autres petits objets métalliques qui pourraient créer un court-circuit entre les bornes. Un court-circuit entre les bornes de la batterie peut causer des brûlures ou un incendie.

d) En cas d'utilisation abusive, du liquide peut être éjecté de la batterie ; évitez tout contact avec ce liquide. En cas de contact accidentel, rincez à l'eau. En cas de contact du liquide avec les yeux, consultez immédiatement un médecin. Le liquide éjecté de la batterie peut causer des irritations ou des brûlures.

e) N'utilisez pas un bloc batterie ou un outil endommagé ou modifié. Les batteries endommagées ou modifiées peuvent avoir un comportement imprévisible pouvant conduire à un incendie, à une explosion ou à un risque de blessure.

f) N'exposez pas un bloc batterie ou un outil au feu ni à une température excessive. L'exposition au feu ou à une température dépassant 130°C peut causer une explosion.

g) Respectez toutes les instructions de charge et ne chargez pas le bloc batterie ni l'outil en dehors de la plage de température spécifiée dans les instructions. Une charge incorrecte ou à des températures hors de la plage spécifiée peut endommager la batterie et augmenter le risque d'incendie.

6) Réparation

a) Faites réparer votre outil électrique par un réparateur qualifié avec exclusivement des pièces de rechange identiques. Ceci permettra d'assurer la continuité de la sécurité de l'outil électrique.

b) Ne réparez jamais des blocs batterie endommagés. La réparation des blocs batterie ne doit être effectuée que par le fabricant ou des prestataires de service agréés.

Règles de sécurité supplémentaires spécifiques pour les clés à chocs sans fil

• Maintenez l'outil électrique par les prises isolées pour effectuer une opération où la fixation peut entrer en contact avec des câbles cachés. Les fixations entrant en contact avec un fil "sous tension" peuvent mettre aussi "sous tension" des pièces métalliques apparentes de l'outil électrique et envoyer un choc électrique à l'opérateur.

RISQUES RÉSIDUELS


Malgré le respect des règlements de sécurité pertinents et la mise en œuvre de dispositifs de sécurité, certains risques résiduels ne peuvent pas être évités. Il s'agit notamment de:

- Perte auditive.
- Risque de blessure dû à la projection de particules.
- Risque de brûlures dû à l'échauffement des accessoires pendant l'utilisation.
- Risque de blessure dû à une utilisation prolongée

CONSERVEZ CES INSTRUCTIONS

⚡ Sécurité électrique

Le moteur électrique a été conçu pour une seule tension. Vérifiez toujours que la tension du bloc batterie correspond à celle de la plaque signalétique. Assurez-vous aussi que la tension de votre chargeur correspond à celle de votre prise secteur.

 Votre chargeur Trend est à double isolation, conformément à la norme EN60335 ; donc aucun fil de terre n'est nécessaire.

Si le cordon d'alimentation est endommagé, il doit être remplacé par un cordon spécifiquement conçu, disponible auprès du service après-vente Trend.

Remplacement de la fiche secteur (Royaume-Uni et Irlande uniquement)

S'il faut monter une nouvelle fiche secteur

- Éliminez correctement l'ancienne fiche..
- Branchez le fil marron à la borne de phase de la fiche.
- Branchez le fil bleu à la borne de neutre.

⚠ AVERTISSEMENT: La borne de terre ne doit pas être raccordée.

Suivez les instructions de pose fournies avec les fiches de bonne qualité. Fusible recommandé: 3A.

Utilisation d'une rallonge

Les rallonges ne doivent être utilisées qu'en cas d'absolue nécessité. Utilisez une rallonge homologuée adaptée à la puissance d'entrée de votre chargeur (voir **Caractéristiques techniques**). La section minimale des conducteurs est de 1mm² ; la longueur maximale est de 30m.

En cas d'utilisation d'un dérouleur, déroulez toujours complètement le câble.

Instructions de sécurité importantes pour tous les chargeurs de batterie

- Avant d'utiliser le chargeur, lisez toutes les instructions et marquages d'avertissement sur le chargeur, le bloc batterie et le produit qui utilise le bloc batterie.

⚡ AVERTISSEMENT: Danger d'électrocution. Ne laissez aucun liquide pénétrer à l'intérieur du chargeur. Cela pourrait causer une électrocution.

⚠ AVERTISSEMENT: Nous recommandons l'utilisation d'un dispositif différentiel à courant résiduel de calibre 30 mA ou moins.

🔥 ATTENTION: Risque de brûlure. Pour réduire le risque de blessure, ne chargez que les batteries rechargeables Trend. Les autres types de batterie peuvent exploser et causer des blessures et des dégâts.



ATTENTION: Les enfants doivent être surveillés pour s'assurer qu'ils ne jouent pas avec l'appareil.

AVIS: Dans certaines conditions où le chargeur est branché sur l'alimentation, il peut être court-circuité par des corps étrangers. Les corps étrangers conducteurs tels que, mais sans limitation, poussière de meulage, copeaux métalliques, laine d'acier, papier aluminium ou toute accumulation de particules métalliques, doivent être éloignés des logements du chargeur. Débranchez toujours le chargeur de l'alimentation quand il n'y a pas de bloc batterie dans le logement. Débranchez le chargeur avant de tenter de le nettoyer.

- **Les jeunes enfants et les infirmes.** Cet appareil n'est pas destiné à être utilisé par de jeunes enfants ni par des personnes infirmes sans surveillance.
- Ce produit n'est pas destiné à être utilisé par des personnes (y compris les enfants) dont les capacités physiques, sensorielles ou mentales sont diminuées, ou manquant d'expérience, de connaissances ou de compétences, sauf sous la supervision d'une personne responsable de leur sécurité. Les enfants ne doivent jamais être laissés à jouer seuls avec ce produit.
- **NE tentez PAS de charger le bloc batterie avec tout autre chargeur que ceux mentionnés dans ce manuel.** Le chargeur et le bloc batterie sont conçus spécifiquement pour fonctionner ensemble.
- **Ces chargeurs ne sont pas destinés à tout autre usage que la recharge de batteries rechargeables Trend.** Toute autre utilisation peut conduire à un risque d'incendie, de choc électrique ou d'électrocution.
- **N'exposez pas le chargeur à la pluie ni à la neige.**
- **Tirez la fiche plutôt que le cordon pour débrancher le chargeur.** Ceci réduit le risque d'endommager la fiche et le cordon électrique.
- **Assurez-vous que le cordon est disposé de façon à éviter tout trébuchement, écrasement ou autre dommage ou contrainte.**
- **N'utilisez une rallonge qu'en cas d'absolue nécessité.** L'utilisation d'une rallonge incorrecte pourrait conduire à un risque d'incendie, de choc électrique ou d'électrocution.
- **Ne placez aucun objet par-dessus le chargeur et ne placez pas le chargeur sur une surface molle qui pourrait obstruer les fentes de ventilation et conduire à un dégagement de chaleur interne excessif.** Placez le chargeur à l'écart de toute source de chaleur. La ventilation du chargeur est assurée par des fentes en haut et en bas du boîtier.
- **N'utilisez pas le chargeur avec un cordon ou une fiche endommagé** — faites-les remplacer immédiatement
- **N'utilisez pas le chargeur s'il a reçu un choc violent, est tombé ou a été autrement**

endommagé de quelque façon que ce soit. Confiez-le à un centre de service après-vente agréé.

- **Ne démontez pas le chargeur ; confiez-le à un centre de service après-vente agréé s'il a besoin d'intervention ou de réparation.** Un remontage incorrect pourrait conduire à un risque de choc électrique, d'électrocution ou d'incendie.
- Si le cordon d'alimentation est endommagé, il doit être remplacé immédiatement par le fabricant, son agent de service après-vente ou une personne de qualification comparable pour éviter tout danger.
- **Débranchez le chargeur de la prise avant de tenter tout nettoyage. Ceci limitera le risque de choc électrique.** Le retrait du bloc batterie ne réduit pas ce risque.
- **NE tentez JAMAIS** de relier 2 chargeurs ensemble.
- **Le chargeur est conçu pour une alimentation électrique domestique standard de 230 V. Ne tentez pas de l'utiliser sur toute autre tension.** Ceci ne s'applique pas au chargeur pour véhicule.
- **Assurez-vous de vérifier que le chargeur est en position stable et sûre.** Une chute de la batterie ou du chargeur peut présenter un risque de blessure pour vous-même ou pour d'autres.

CONSERVEZ CES INSTRUCTIONS

Chargeurs

Les chargeurs Trend n'exigent aucun réglage et sont conçus pour être aussi faciles à utiliser que possible.

Le chargeur T18S/CH6A accepte les blocs batterie Li-Ion 18 V Trend (T18S/BA2A, T18S/BA4AM et T18S/BA5A).



AVERTISSEMENT: Ne chargez qu'avec des chargeurs 18 V compatibles. L'utilisation d'autres chargeurs peut causer un incendie, des dommages ou des blessures graves.

Charge et utilisation d'une batterie - (Fig. 4 - 4d)



- Le bloc batterie de cet outil a été livré en état de faible charge pour éviter les problèmes possibles. Vous devez donc le charger jusqu'à l'allumage du voyant LED vert à l'avant droit du chargeur.
- **REMARQUE:** Les batteries n'atteindront pas leur état de pleine charge à la première charge. Il faudra plusieurs cycles (utilisation et recharge) pour qu'elles atteignent leur pleine charge.
- Commencez par lire les instructions de sécurité et respectez les instructions de charge.
- Branchez le chargeur sur une prise secteur standard 230 V-50 Hz, le voyant LED vert à l'avant gauche du chargeur doit s'allumer.
- Évitez les nœuds et les pincements dans le câble.

- Placez le bloc batterie sur le socle du chargeur. (Remarquez que la forme du bloc batterie ne permet de l'engager sur le chargeur que d'une seule façon). Réglez le temps de charge sur 32, 48, 54 minutes seulement.
- Le voyant LED rouge à l'avant droit du chargeur s'allume pour signaler que la charge est en cours. Un voyant LED vert s'allumera quand la batterie sera pleinement chargée.
- Débranchez le chargeur quand il n'est pas utilisé et rangez-le dans une armoire appropriée.
- Évitez de charger votre batterie par temps de gel car la puissance de charge ne serait pas suffisante.
- En cas de charge de plus d'un bloc batterie, laissez refroidir le chargeur au moins 30 minutes avant de charger une autre batterie.
- Retirez toujours le bloc batterie pour le ranger en sécurité quand l'outil n'est pas utilisé.



ATTENTION:

Si à un moment quelconque pendant la charge aucun des voyants LED n'est allumé, retirez le bloc batterie du chargeur pour éviter d'endommager le produit. N'insérez JAMAIS une autre batterie.

Système de refroidissement

Le chargeur est équipé d'un ventilateur interne conçu pour refroidir le chargeur. N'utilisez jamais le chargeur si le ventilateur ne fonctionne pas correctement ou si les fentes de ventilation sont obstruées. Ne laissez pas pénétrer de corps étranger à l'intérieur du chargeur.

Temporisation pour bloc batterie chaud/froid

Quand le chargeur détecte que le bloc batterie est trop chaud ou trop froid, il lance automatiquement une temporisation de bloc chaud/froid, et suspend la charge jusqu'à ce que le bloc batterie atteigne une température appropriée. Le chargeur passe alors automatiquement en mode de charge du bloc batterie. Cette fonction assure une durée de vie optimale du bloc batterie.

Système de protection électronique

Les outils Li-Ion de Trend sont conçus avec un système de protection électronique qui protège le bloc batterie contre toute surcharge, surchauffe ou décharge profonde.

L'outil s'éteint automatiquement en cas d'activation du système de protection électronique.

Charge de batterie à l'intérieur

Ce chargeur est conçu pour être utilisé à l'intérieur. Nous ne recommandons pas son utilisation dans votre domicile. Dans l'idéal, les batteries devraient être chargées sur un établi dans un atelier, garage ou appentis. Si la charge doit être effectuée à domicile, la zone doit être bien ventilée et le chargeur placé sur une

surface non combustible en s'assurant que les fentes de ventilation ne sont pas obstruées

Montage mural

Ces chargeurs sont conçus pour pouvoir être montés au mur ou posés verticalement sur une table ou un plan de travail. En cas de montage mural, positionnez le chargeur à proximité d'une prise électrique et à l'écart d'un angle rentrant ou autre obstacle qui pourrait gêner la circulation de l'air. Utilisez le dos du chargeur comme gabarit pour l'emplacement des vis de fixation au mur. Montez correctement le chargeur avec des fixations adaptées au type de mur, d'un diamètre de 7 – 9 mm et d'une longueur recommandée de 25 mm. Laissez une longueur de vis apparente suffisante pour permettre la pose du chargeur. Alignez les fentes à l'arrière du chargeur sur les vis apparentes et engagez-les à fond dans les fentes.

Instructions de nettoyage du chargeur



AVERTISSEMENT: Danger d'électrocution. Débranchez le chargeur de la prise secteur avant le nettoyage. Vous pouvez éliminer la saleté et la graisse de l'extérieur du chargeur à l'aide d'un chiffon ou d'une brosse douce non métallique. N'utilisez pas d'eau ni de produit de nettoyage liquide. Ne laissez jamais aucun liquide pénétrer à l'intérieur de l'outil ; n'immergez jamais une quelconque partie de l'outil dans un liquide.

Blocs batterie



Instructions de sécurité importantes pour tous les blocs batterie

Quand vous commandez des blocs batterie de recharge, assurez-vous d'inclure la référence du produit et la tension.

Le bloc batterie n'est pas chargé à fond à la sortie de la boîte. Avant d'utiliser le bloc batterie et le chargeur, lisez les instructions de sécurité ci-dessous. Respectez ensuite les procédures de charge indiquées.

LISEZ TOUTES LES INSTRUCTIONS

- **Ne chargez pas et n'utilisez pas la batterie en atmosphère explosive, par exemple en présence de liquides, de gaz ou de poussières inflammables.** L'insertion ou le retrait de la batterie du chargeur peut enflammer les poussières ou les fumées.
- **Ne forcez jamais pour engager le bloc batterie dans le chargeur. Ne modifiez pas le bloc batterie de quelque façon que ce soit pour l'adapter à un chargeur non compatible, car le bloc batterie risquerait de se rompre et de causer des blessures graves.**

- Ne chargez les blocs batterie que dans des chargeurs Trend.
- **NE PAS** éclabousser ni immerger dans l'eau ni dans d'autres liquides.
- **Ne pas stocker ni utiliser l'outil et le bloc batterie dans des lieux où la température pourrait tomber en dessous de 4°C (34°F) (par exemple dans des appentis extérieurs ou des bâtiments métalliques en hiver), ni qui pourraient atteindre ou dépasser 40°C (104°F) (par exemple dans des appentis extérieurs ou des bâtiments métalliques en été).**
- **Ne pas incinérer le bloc batterie même s'il est gravement endommagé ou complètement usé.** Le bloc batterie peut exploser au feu. Des fumées et matières toxiques se dégagent lors de la combustion des blocs batterie lithium-ion.
- **Si le contenu de la batterie entre en contact avec la peau, rincez immédiatement la zone touchée à l'eau savonneuse.** Si du liquide de batterie entre en contact avec l'œil, rincez à grande eau l'œil ouvert pendant 15 minutes ou jusqu'à la disparition de l'irritation. Si vous consultez un médecin, l'électrolyte de la batterie est composé d'un mélange de carbonates organiques liquides et de sels de lithium.
- **Le contenu des éléments de batterie ouverts peut causer un irritation respiratoire.** Amenez à l'air libre. Si les symptômes persistent, consultez un médecin.



AVERTISSEMENT: Risque de brûlure. Le liquide de la batterie peut être inflammable s'il est exposé à des étincelles ou à une flamme.



AVERTISSEMENT: Ne tentez jamais d'ouvrir le bloc batterie pour quelque raison que ce soit. Si le boîtier du bloc batterie est fissuré ou endommagé, ne l'insérez pas dans le chargeur. Ne pas écraser, faire tomber ni endommager le bloc batterie. N'utilisez pas un bloc batterie ni un chargeur qui a reçu un choc violent, est tombé, est passé sous un véhicule ou a été endommagé de quelque façon que ce soit (par exemple percé par un clou, frappé par un marteau, écrasé au pied). Il y a risque de choc électrique ou d'électrocution. Les blocs batterie endommagés doivent être renvoyés au centre de service après-vente pour recyclage.



AVERTISSEMENT: Danger d'incendie. Ne stockez pas et ne transportez pas le bloc batterie de façon qui permette à des objets métalliques d'entrer en contact avec les bornes apparentes de la batterie. Par exemple, ne placez pas le bloc batterie dans des tabliers, poches, boîtes à outils, cartons de produits, tiroirs, etc. contenant des clous, vis, clés, etc.



ATTENTION: Quand il n'est pas utilisé, placez l'outil de côté sur une surface stable où il ne risquera pas de causer un risque de trébuchement ou de chute. Certains outils avec gros blocs batterie se tiennent verticalement sur le bloc batterie mais peuvent basculer facilement s'ils sont heurtés.

Utilisation de la batterie



État de charge

Pour afficher la quantité de charge restante dans la batterie, appuyez sur le bouton de voyant d'état de charge (Fig.2). La Fig. 2a présente la relation entre les indications des voyants LED et la charge restante.

REMARQUE: L'indicateur de niveau de charge de batterie ne fournit qu'une indication de la charge restante sur le bloc batterie. Il n'indique pas la fonctionnalité de l'outil et peut varier en fonction des composants du produit, de la température et de l'usage prévu par l'utilisateur final.

Autodécharge

Une batterie au lithium peut s'autodécharger et perdre sa charge au cours du temps. En général, elle peut perdre environ 5 % de sa charge le premier mois après une charge complète (en cas de stockage à température ambiante), puis perdre 3 % supplémentaires par mois. L'autodécharge est accélérée en cas de stockage à haute température.

Transport



AVERTISSEMENT: Danger d'incendie. Le transport de batteries peut créer un incendie si les bornes de la batterie entrent en contact intempestif avec des matériaux conducteurs. Pour le transport des batteries, assurez-vous que leurs bornes sont protégées et bien isolées des matériaux qui pourraient entrer en contact avec elles et causer un court-circuit.

REMARQUE: Les batteries lithium-ion ne doivent pas être transportées dans des bagages enregistrés.

Les batteries Trend sont conformes à tous les règlements d'expédition applicables prescrits par les normes industrielles et légales, notamment les Recommandations relatives au transport des marchandises dangereuses des Nations Unies ; le règlement sur les matières dangereuses de l'IATA (International Air Transport Association), les règlements IMDG (International Maritime Dangerous Goods) et l'Accord européen relatif au transport international des marchandises dangereuses par route (ADR). Les éléments et batteries lithium-ion ont été testés selon la section 38.3 Recommandations relatives au transport des marchandises dangereuses des Nations Unies, Manuel d'épreuves et de critères.

Dans la plupart des cas, l'expédition d'un bloc batterie

Trend sera exemptée de classement comme matière dangereuse totalement réglementée de Classe 9. En général, seules les expéditions contenant une batterie lithium-ion d'énergie nominale supérieure à 100 Watts heure (Wh) exigera une expédition en tant que marchandise totalement réglementée de Classe 9.

Toutes les batteries lithium-ion ont leur capacité nominale en Watts heure indiquée sur le bloc. De plus, du fait de la complexité de la réglementation, Trend ne recommande pas l'expédition aérienne des blocs batterie lithium-ion seuls, quelle que soit leur capacité nominale en Watts heure. L'expédition d'outils avec batteries (kits combinés) par voie aérienne est possible par exception si la capacité nominale du bloc batterie ne dépasse pas 100 Wh.

Qu'une expédition soit considérée ou non comme exceptée ou totalement réglementée, il est de la responsabilité de l'expéditeur de consulter les blocs récents règlements concernant l'emballage, l'étiquetage/marquage et les exigences de documentation.

Les informations fournies dans la présente section du manuel sont fournies de bonne foi et considérées comme exactes lors de la rédaction du document. Toutefois, ceci ne constitue en aucun cas une garantie explicite ni implicite. Il est de la responsabilité de l'acheteur de s'assurer que ses activités sont conformes aux règlements applicables.

Recommandations de stockage

Le stockage optimal se fait dans un lieu frais et sec, à l'écart de la lumière directe du soleil et de toute chaleur ou froid excessif. Pour obtenir de meilleures performances et la meilleure durée de vie de la batterie, stockez les blocs batterie à température ambiante quand vous ne les utilisez pas.

Pour un stockage prolongé, il est recommandé de stocker un bloc batterie chargé à fond dans un lieu frais et sec et en dehors du chargeur pour de meilleurs résultats.

REMARQUE: Les blocs batterie ne doivent pas être stockés complètement déchargés. Le bloc batterie devra être rechargé avant utilisation.

Étiquettes sur le chargeur et le bloc batterie

En plus des pictogrammes utilisés dans ce manuel, les étiquettes sur le chargeur et le bloc batterie peuvent présenter les pictogrammes suivants :



Lire le manuel d'instructions avant l'utilisation.



Voir les Caractéristiques techniques pour le temps de charge.



Batterie en cours de charge.



Batterie chargée.



Batterie défectueuse.



Charge différée (Batterie en cours de refroidissement ou batterie trop froide).



Ne pas sonder avec des objets conducteurs.



Ne pas charger de blocs batterie endommagés



Ne pas exposer à l'eau.



Faire remplacer immédiatement les cordons défectueux.



Ne charger qu'entre 4°C et 40°C.



Pour usage intérieur uniquement.



Éliminer le bloc batterie dans le respect des lois sur l'environnement.



Ne pas incinérer le bloc batterie.

ARTICLES LIVRÉS

- 1 x Clé à chocs
- 1 x Manuel d'instructions

REMARQUE: Les blocs batterie, chargeurs et cartons de kit ne sont pas inclus avec les modèles B

- Vérifiez que l'outil, les pièces ou les accessoires n'ont pas été endommagés pendant le transport.
- Prenez le temps de lire attentivement et de parfaitement comprendre ce manuel avant l'utilisation.

MARQUAGES SUR L'OUTIL

Les pictogrammes suivants sont présentés sur l'outil:



Lire le manuel d'instructions avant l'utilisation.

Emplacement du code de date

L'année de fabrication est indiquée sur la plaque signalétique.

DESCRIPTION DES PIÈCES - (Fig. 1)

- A. Interrupteur à gâchette

- B. Bouton marche avant/arrière
- C. Sélecteur de mode
- D. Mandrin sans clé 1/4" (6,35 mm)
- E. Éclairage
- F. Prise
- G. Logement de batterie
- H. Crochet de ceinture

USAGE PRÉVU


Cette clé à chocs est conçue pour les applications de tournevis à chocs. La fonction de choc rend cet outil particulièrement utile pour enfoncer des fixations dans du bois, du métal et du béton.

NE PAS utiliser en présence d'humidité, de liquides ou gaz inflammables. Ces perceuses/clés/perforateurs sont des outils électriques professionnels.

NE PAS laisser les enfants entrer en contact avec cet outil. Une supervision est indispensable en cas d'utilisation de cet outil par des opérateurs inexpérimentés.

- **Les jeunes enfants et les infirmes.** Cet appareil n'est pas destiné à être utilisé par de jeunes enfants ni par des personnes infirmes sans surveillance.
- Ce produit n'est pas destiné à être utilisé par des personnes (y compris les enfants) dont les capacités physiques, sensorielles ou mentales sont diminuées, ou manquant d'expérience, de connaissances ou de compétences, sauf sous la supervision d'une personne responsable de leur sécurité. Les enfants ne doivent jamais être laissés seuls avec ce produit.

MONTAGE ET RÉGLAGES

 **AVERTISSEMENT:** Pour réduire le risque de blessure grave, arrêtez l'outil et débranchez le bloc batterie avant tout réglage ou dépose/pose d'accessoires ou fixations. Un démarrage intempestif peut causer des blessures.

 **AVERTISSEMENT:** N'utilisez que des blocs batterie et chargeurs Trend.

État de charge de la batterie - (Fig. 2 - 2a)

Pour afficher la quantité de charge restante dans la batterie, appuyez sur le bouton de voyant d'état de charge

REMARQUE: L'indicateur de niveau de charge de la batterie ne fournit qu'une indication de la charge restante sur le bloc batterie. Il n'indique pas la fonctionnalité de l'outil et peut varier en fonction des composants du produit, de la température et de l'usage prévu par l'utilisateur final.

Insertion et retrait du bloc batterie de l'outil - (Fig. 3 - 3a)

REMARQUE: Assurez-vous que votre bloc batterie est chargé à fond.

REMARQUE: Pour éviter des blessures graves, retirez toujours le bloc batterie et dégagez les mains du bouton de verrouillage pour transporter ou porter l'outil.

Une mise en place incorrecte du bloc batterie peut endommager les composants internes.

Pour installer le bloc batterie dans la poignée de l'outil - (Fig. 3)

- Alignez le bloc batterie sur les rails à l'intérieur du logement de batterie de l'appareil.
- Glissez le bloc batterie à fond dans son logement en vous assurant d'entendre l'encliquetage du verrou.

Retrait du bloc batterie de l'outil - (Fig. 3a)

- Appuyez sur le bouton de libération et tirez fermement le bloc batterie pour le sortir de son logement.
- Insérez le bloc batterie dans le chargeur comme indiqué dans la section Chargeur de ce manuel.

Interrupteur à gâchette à vitesse variable - (Fig. 5)

- Pour mettre en route l'outil, appuyez sur l'interrupteur à gâchette.
- Pour arrêter l'outil, relâchez l'interrupteur à gâchette. Votre outil est équipé d'un frein. Le mandrin s'arrête dès que l'interrupteur à gâchette est totalement relâché.


REMARQUE: L'utilisation en continu dans une plage de vitesse variable n'est pas recommandée. Elle peut endommager l'interrupteur et doit être évitée

Bouton de commande marche avant/arrière - (Fig. 6)


- Un bouton de commande marche avant/arrière précise le sens de rotation de l'outil et sert aussi de bouton de verrouillage.
- Pour sélectionner la rotation en marche avant, relâchez l'interrupteur à gâchette et appuyez sur le bouton de commande marche avant/arrière à droite de l'outil.
- Pour sélectionner la marche arrière, appuyez sur le bouton de commande marche avant/arrière à gauche de l'outil.
- La position centrale du bouton de commande verrouille l'outil en position d'arrêt. Pour changer la position du bouton de commande, assurez-vous que la gâchette soit relâchée.


REMARQUE: Lors de la première utilisation de l'outil après avoir changé le sens de rotation, il se peut que vous entendiez un dé clic au démarrage. C'est normal et n'est pas un symptôme de problème.

Crochet de ceinture - (Fig. 7)

 **IMPORTANT:** Pour fixer ou remplacer le crochet de ceinture ou l'agrafe pour foret, utilisez uniquement la vis fournie. Assurez-vous de bien serrer la vis.

- Le crochet de ceinture peut être fixé de l'un ou l'autre côté de l'outil, à l'aide uniquement de la vis fournie, pour les utilisateurs droitiers ou gauchers. Si vous ne souhaitez pas du tout utiliser le crochet ou l'agrafe pour foret, vous pouvez l'enlever de l'outil.
- Pour déplacer le crochet pour ceinture, déposez la vis qui le maintient en position puis remontez-le de l'autre côté. Assurez-vous de bien serrer la vis.

 **AVERTISSEMENT:** Pour réduire le risque de blessure grave, arrêtez l'outil et débranchez le bloc batterie avant tout réglage ou dépose/pose d'accessoires ou fixations.

 **AVERTISSEMENT:** Pour réduire le risque de blessure grave, NE PAS suspendre l'outil en hauteur ni suspendre d'objets au crochet de ceinture. Ne suspendez le crochet de ceinture de l'outil QU'À une ceinture de travail.

 **AVERTISSEMENT:** Pour réduire le risque de blessure grave, assurez-vous du bon serrage de la vis de fixation du crochet de ceinture.


Mandrin à dégagement rapide - (Fig. 8 - 8a)

AVERTISSEMENT: N'utilisez que des accessoires pour chocs. Les accessoires non prévus pour les chocs pourraient se casser et causer des dangers. Contrôlez l'accessoire avant usage pour vous assurer qu'il n'est pas fissuré.

REMARQUE: Le mandrin ne peut recevoir que des accessoires hexagonaux de 6,35 mm (1/4 po).

- Placez le bouton de marche avant/arrière en position de verrouillage (au centre) ou retirez le bloc batterie avant de changer d'accessoire.
- Pour installer un accessoire, tirez vers l'avant sur la bague du mandrin [1] et poussez l'accessoire à fond dans le mandrin. Ramenez la bague du mandrin en arrière pour verrouiller l'accessoire.
- Pour retirer un accessoire, retirez le collier du mandrin de l'avant de l'outil, retirez l'accessoire et libérez la bague.

Sélecteur de mode - (Fig. 9)

 **AVERTISSEMENT:** Pour réduire le risque de blessure, retirez les accessoires du mandrin de l'outil avant d'utiliser le sélecteur de mode.


Votre outil est équipé d'un sélecteur de mode. Consultez les trois différents modes dans le tableau ci-dessous.

Régime	Sens	État du témoin	Usage
Bas	Avant	Vert	Travaux à faible couple et de finition
Haut	Avant	Vert	Applications à fort couple, par exemple vis autotaraudeuses
Arrêt automatique en marche arrière	Sens inverse	Ambre	Sens inverse

UTILISATION



 **AVERTISSEMENT:** Respectez toujours les instructions de sécurité et règlements applicables.

 **AVERTISSEMENT:** Pour réduire le risque de blessure grave, arrêtez l'outil et débranchez le bloc batterie avant tout réglage ou dépose/pose d'accessoires ou fixations. Un démarrage intempestif peut causer des blessures.

Position correcte de la main - (Fig. 10)

 **AVERTISSEMENT:** Pour réduire le risque de blessure grave, utilisez **TOUJOURS** la position correcte de la main indiquée.

 **AVERTISSEMENT:** Pour réduire le risque de blessure grave, maintenez, **TOUJOURS** fermement l'outil pour prévenir une réaction brutale.

Une position correcte de la main exige une main sur le dessus de la perceuse comme indiqué, l'autre sur la poignée principale.

Utilisation de la clé à chocs

La clé à chocs peut produire le couple maximal suivant: 145Nm..


- Placez l'accessoire dans le mandrin. Maintenez l'outil orienté bien droit vers la pièce de travail.
- Appuyez sur l'interrupteur pour démarrer l'outil. Relâchez l'interrupteur pour arrêter l'outil. Vérifiez toujours le couple avec une clé dynamométrique, car le couple de serrage dépend de nombreux facteurs, dont:
 - **Tension:** Une faible tension, du fait d'une batterie presque déchargée, réduit le couple de serrage.
 - **Dimension de la douille:** La non-utilisation d'une douille de dimension correcte réduit le couple de serrage.
 - **Dimension de la vis :** Les vis de gros diamètre nécessitent généralement un couple de serrage supérieur. Le couple de serrage dépend aussi de la longueur, de la qualité de la fixation et du coefficient de couple.
 - **Vis:** Assurez-vous que tous les filets sont exempts de rouille et autres débris pour un couple de serrage correct.
 - **Matériau:** Le type de matériau et sa finition de surface modifient le couple de serrage.
 - **Temps de serrage:** Des temps de serrage prolongés augmentent le couple de serrage. Un temps de serrage supérieur à celui recommandé peut causer une contrainte excessive sur les fixations, susceptible de les endommager ou de dégrader les filetages.

 **AVERTISSEMENT:** L'avant du boîtier de la clé à chocs peut devenir chaud.

ENTRETIEN

N'utilisez que des pièces de rechange et accessoires d'origine Trend.

L'outil électrique a été conçu pour fonctionner longtemps avec un minimum d'entretien. Le bon fonctionnement de l'outil dépend des soins et d'un nettoyage régulier de l'appareil.

 **AVERTISSEMENT:** Pour réduire le risque de blessure grave, arrêtez l'outil et débranchez le bloc batterie avant tout réglage ou dépose/pose d'accessoires ou fixations. Un démarrage intempestif peut causer des blessures.

Le chargeur et le bloc batterie ne sont pas réparables.

Évitez l'utilisation de solvant pour le nettoyage des pièces en plastique. La plupart des plastiques peuvent être endommagés par différents types de solvants du commerce, et leur utilisation peut les dégrader. Utilisez des chiffons propres pour éliminer la saleté, la poussière, l'huile, la graisse, etc.

 **AVERTISSEMENT:** Ne laissez en aucun


cas du liquide de frein, de l'essence, des produits pétroliers, des huiles dégriffantes, etc. entrer en contact avec les pièces en plastique. Les produits chimiques peuvent endommager, affaiblir ou détruire le plastique, ce qui peut conduire à des blessures graves.


Les outils électriques utilisés sur des matériaux en fibre de verre, des panneaux muraux, des enduits de rebouchage ou du plâtre sont soumis à une usure accélérée et à une possible défaillance prématurée parce que les copeaux et débris de fibre de verre produits sont extrêmement abrasifs pour les roulements, brosses, collecteurs, etc. En conséquence, nous ne recommandons pas d'utiliser cet outil pour des travaux prolongés sur ces types de matériaux. Néanmoins, si vous travaillez sur l'un de ces matériaux, il est extrêmement important de nettoyer l'outil à l'air comprimé.

Lubrification

- Votre outil électrique n'exige aucune lubrification supplémentaire.

Nettoyage

 **AVERTISSEMENT:** Soufflez la saleté et la poussière à l'air sec pour les déloger du boîtier principal dès que l'accumulation de saleté est visible dans et autour des fentes de ventilation. Portez une protection oculaire et un masque antipoussière homologués pour accomplir cette procédure.

 **AVERTISSEMENT:** N'utilisez jamais de solvant ni autre produit chimique agressif pour le nettoyage des pièces non métalliques de l'outil. Ces produits chimiques peuvent affaiblir les matériaux utilisés dans ces pièces. N'utilisez qu'un chiffon humidifié à l'eau savonneuse. Ne laissez jamais aucun liquide pénétrer à l'intérieur de l'outil ; n'immergez jamais une quelconque partie de l'outil dans un liquide.


Stockage

- Remettez toujours l'outil dans son emballage après utilisation.

PROTECTION DE L'ENVIRONNEMENT



 Recyclez les matières premières plutôt que d'éliminer l'appareil comme déchet

 Les accessoires et l'emballage doivent être triés pour un recyclage respectueux de l'environnement.

Tri séparé. Ce produit ne doit pas être éliminé avec les ordures ménagères.

Batteries et environnement

Cet appareil utilise des batteries lithium-ion (Li-Ion). Quand le bloc batterie doit être remplacé, nous recommandons de procéder comme suit : Évacuer l'énergie des batteries en les vidant complètement avant de les retirer de l'outil..



Les éléments lithium-ion sont recyclables, ne les jetez donc pas dans les ordures ménagères. Ils pourraient arriver dans un incinérateur ou être enfouis, ce qui doit être évité.

Amenez plutôt les batteries à un agent de service après-vente Trend, à votre revendeur local Trend ou à une déchetterie locale. Si nécessaire, contactez votre municipalité locale pour plus d'informations sur l'élimination. Les batteries recueillies devront être éliminées correctement et/ou recyclées.

Utilisateur particulier

Les règlements locaux peuvent proposer une collecte séparée des produits électriques domestiques, en déchetteries ou chez le revendeur lors de l'achat d'un produit neuf. Appelez le service clientèle Trend pour obtenir des conseils sur la manière d'éliminer les produits électriques Trend qui ne servent plus dans le respect de l'environnement, ou visitez www.trend-uk.com

Utilisateurs professionnels

Appelez le service clientèle Trend pour l'élimination des produits électriques Trend qui ne servent plus.

GARANTIE

L'appareil est garanti par le constructeur conformément aux conditions de la carte de garantie jointe.

Pour connaître l'adresse de votre agent de service après-vente Trend le plus proche, appelez le service clientèle Trend ou consultez notre outil de recherche de revendeur à l'adresse www.trend-uk.com

NL - T18S/ID

Bedankt voor de aankoop van dit Trend product. Wij hopen dat u het vele jaren creatief en productief gaat gebruiken.

Gelieve de garantiekaart binnen 28 dagen na aankoop in te sturen.

TECHNISCHE GEGEVENS

Spanning	VDC	18
Type accu		Li-Ion
Bithouder diameter	Inch	1/4
Snelheid, onbelast	min-1	2,400 – 2,800
Gewicht	kg	1.13
Max. aandraaimoment	Nm	130
Slagfrequentie	spm	3000
Accu*		
Accucapaciteit	Ah	2
	Ah	4
	Ah	5
Acculader*		
Netspanning	V	220 - 240
Netfrequentie	Hz	50/60
Uitgangsspanning	VDC	21
Uitgangsstroom	A	6
Laadtijd T18S/BA2A**	min	32
Laadtijd T18S/BA4AM**	min	48
Laadtijd T18S/BA5A**	min	54
* Alleen voor modellen met een accu en lader		
** De laadtijd geldt alleen voor een accu met een capaciteit genoemd in de tabel		
Geluids- en trillingswaardes (triaxiale vectorsom) in overeenstemming met EN 62841-2-2		

Geluidsdruk niveau L _{pA}	dB (A)	78.1
Geluidsvermogensniveau L _{WA}	dB (A)	89.1
K _{pA} (onzekerheid van de geluidsdruk)	dB (A)	3
Trillingsemissiewaarde a _h =	m/s ²	8.58
Onzekerheid K =	m/s ²	1.5

De niveaus van de trillings- en/of geluidsemissiewaarde in dit informatieblad zijn gemeten in overeenstemming met een gestandaardiseerde meting beschreven in EN62841, en kunnen worden gebruikt om gereedschappen onderling te vergelijken. Ze kunnen gebruikt worden voor een aanvankelijke beoordeling van de blootstelling.



WAARSCHUWING: De opgegeven trillingswaarde betreft de hoofdtoepassing van het gereedschap. Als het gereedschap echter wordt gebruikt voor andere toepassingen, met andere accessoires of als het slecht onderhouden is, kan de trillingswaarde echter verschillend zijn.

Hierdoor kan het blootstellingsniveau over de gehele werkperiode aanzienlijk hoger worden. Bij het schatten van het blootstellingsniveau aan trilling moet ook rekening gehouden worden met de tijd dat het gereedschap is uitgeschakeld, of dat het is ingeschakeld maar niet daadwerkelijk wordt gebruikt. Hierdoor kan het blootstellingsniveau over de gehele werkperiode aanzienlijk lager worden. Stel vast welke aanvullende veiligheidsmaatregelen de gebruiker kunnen beschermen tegen de effecten van trilling, zoals: onderhoud van het gereedschap en de accessoires, de handen warm houden, indeling van het werkpatroon.

EC CONFORMITEITSVERKLARING MACHINERICHTLIJN



ACCU SLAGSCHROEVENDRAAIER T18S/ID

Trend verklaart dat dit product, zoals beschreven onder Technische Gegevens, in overeenstemming is met 2006/42/EC, en ontworpen is in overeenstemming met EN 62841-2-2:2014, EN 62841-1:2015.

Dit product is tevens in overeenstemming met Richtlijnen 2014/30/EU en 2011/65/EU.

Voor nadere informatie kunt u contact opnemen met Trend op het onderstaande adres, of zie achter in deze handleiding. De ondergetekende maakt deze verklaring uit naam van Trend Tool Technology Ltd.

Neil McMillan
Technical Director

Trend Tool Technology Ltd,
Odhams Trading Estate,
Watford, WD24 7TR,
England

01.08.2021

Contactpersoon voor het technische dossier
Trend Tool Technology Ltd,
3rd Floor, Kilmore House,
Park Lane, Spencer Dock,
Dublin 1, Ireland



WAARSCHUWING: Lees de handleiding om het risico op letsel te verminderen.

Definities: Veiligheidsrichtlijnen

De onderstaande definities geven de ernst aan van elk signaalwoord. Lees de handleiding en let op deze symbolen.



GEVAAR: Wijst op een direct gevaarlijke situatie die, als deze niet wordt voorkomen, **zal** leiden tot **de dood of ernstig letsel**.



WAARSCHUWING: Wijst op een mogelijk gevaarlijke situatie die, als deze niet wordt voorkomen, **kan** leiden tot **de dood of ernstig letsel**.



OPGELET: Wijst op een mogelijk gevaarlijke situatie die, als deze niet wordt voorkomen, **kan** leiden tot **licht of beperkt letsel**.



OPMERKING: Geeft een werkwijze aan, **niet in verband met letsel** die, als deze niet wordt voorkomen, **kan** leiden tot **zaakbeschadiging**.



Geeft risico op elektrische schokken aan.



Geeft risico op brand aan.



ALGEMENE VEILIGHEIDSWAARSCHUWINGEN VOOR ELEKTRISCH GEREEDSCHAP



WAARSCHUWING: Lees alle veiligheidswaarschuwingen, gebruiksaanwijzingen, illustraties en specificaties die met deze machine zijn meegeleverd. Het niet opvolgen van onderstaande aanwijzingen kan leiden tot elektrische schokken, brand en/of ernstig letsel.

BEWAAR ALLE WAARSCHUWINGEN EN INSTRUCTIES VOOR TOEKOMSTIG GEBRUIK

In de waarschuwingen verwijst de term "elektrisch gereedschap" zowel naar netgevoed (met een netsnoer) als accugevoed (draadloos) gereedschap.

1) Veiligheid in de werkomgeving

a) Hou de werkomgeving schoon en zorg voor

goede verlichting. Rommel en slecht licht leiden al snel tot ongevallen.

b) Gebruik elektrisch gereedschap niet in een explosieve atmosfeer, b.v. door de aanwezigheid van brandbare vloeistoffen, gassen of stof.

Elektrisch gereedschap leidt tot vonken die stof of dampen kunnen ontsteken.

c) Hou kinderen en bezoekers uit de buurt tijdens het werken met elektrisch gereedschap. Door afleidingen kunt u de controle over het werk verliezen.

2) Elektrische veiligheid

a) De stekker van het elektrisch gereedschap moet overeenkomen met het stopcontact. Pas de stekker nooit aan. Gebruik nooit stekkeradapters met geaard elektrisch gereedschap.

Ongemodificeerde stekkers en de juiste stopcontacten verminderen het risico op elektrische schokken.

b) Zorg dat uw lichaam niet in aanraking komt met geaarde oppervlakken zoals buizen, radiators, fornuizen en koelkasten. Er is een groter risico op elektrische schokken als uw lichaam geaard is.

c) Stel elektrisch gereedschap niet bloot aan de regen of vochtige omstandigheden. Water dat het elektrisch gereedschap binnendringt, verhoogt het risico op elektrische schokken.

d) Behandel het netsnoer zorgvuldig. Gebruik het netsnoer nooit om het elektrische gereedschap te dragen, er aan te trekken, of de stekker uit het stopcontact te trekken. Hou het netsnoer weg van hitte, olie, scherpe randen en bewegende delen. Beschadigde of verstrikte netsnoeren verhogen het risico op elektrische schokken.

e) Indien elektrisch gereedschap buiten wordt gebruikt, moet het verlengsnoer geschikt zijn voor buitengebruik. Het gebruik van een snoer geschikt voor buitengebruik vermindert het risico op elektrische schokken.

f) Als het gebruik van elektrisch gereedschap op een vochtige plek onvermijdelijk is, zorg dan dat de stroomtoevoer voorzien is van een aardlekschakelaar (ALS). De toepassing van een aardlekschakelaar vermindert het risico op elektrische schokken.

3) Persoonlijke veiligheid

a) Let altijd goed op, kijk waar u mee bezig bent en denk goed na bij het gebruik van elektrisch gereedschap. Gebruik elektrisch gereedschap niet als u moe bent, of onder de invloed van alcohol, drugs of medicijnen. Een moment van onoplettendheid tijdens het gebruik van elektrisch gereedschap kan leiden tot ernstig letsel.

b) Gebruik persoonlijke beschermingsmiddelen (PBM). Draag altijd oogbescherming. Persoonlijke beschermingsmiddelen zoals een stofmasker,

antislipveiligheidsschoenen, veiligheidshelm en gehoorbescherming voor de betreffende omstandigheden verlagen het risico op letsel.

c) Voorkom onbedoelde inschakeling. Verzekert dat de schakelaar op Uit staat voordat u het gereedschap op de stroomtoevoer en/of accu aansluit, het oppakt, of het draagt. Het dragen van elektrisch gereedschap met uw vinger op de schakelaar, of het aansluiten van de stroomtoevoer op gereedschap waarvan de schakelaar op Aan staat, is vragen om ongelukken.

d) Verwijder eventuele (instel)sleutels voordat u het elektrische gereedschap inschakelt. Een sleutel die op een draaiend deel van het elektrische gereedschap zit, kan leiden tot letsel.

e) Reik niet te ver. Zorg dat u altijd stabiel staat en uw evenwicht niet kunt verliezen. Dit verzekert een betere beheersing van het elektrische gereedschap in onverwachte situaties.

f) Draag geschikte kleding. Draag geen loshangende kleding of sieraden. Hou uw haar en kleding weg van bewegende delen. Loshangende kleding, sieraden en lang haar kunnen worden aangegrepen door bewegende delen.

g) Als er voorzieningen zijn voor de aansluiting van stofafzuiging- en opvang, zorg dan dat deze daadwerkelijk zijn aangesloten en juist gebruikt worden. Het gebruik hiervan kan gevaar i.v.m. stof verminderen.

h) Zorg dat gewoonte door regelmatig gebruik van gereedschappen niet leidt tot onachtzaamheid en het niet opvolgen van de veiligheidsmaatregelen. Een onzorgvuldige handeling kan in een fractie van een seconde leiden tot ernstig letsel.

4) Gebruik van en zorg voor elektrisch gereedschap

a) Overbelast elektrisch gereedschap nooit. Gebruik het juiste elektrische gereedschap voor de toepassing. Het juiste elektrische gereedschap doet het werk beter en veiliger op de snelheid waarvoor het ontworpen is.

b) Gebruik het elektrische gereedschap niet als de aan-uitschakelaar niet goed werkt. Als de schakelaar van het gereedschap niet goed werkt, is dit gevaarlijk en moet deze gerepareerd worden.

c) Neem de stekker uit het stopcontact en/of neem de accu (indien verwijderbaar) uit het elektrische gereedschap voordat u het opbergt, instellingen wijzigt of accessoires verwisselt. Dergelijke veiligheidsmaatregelen verminderen het risico van onbedoelde inschakeling van het gereedschap.

d) Berg elektrisch gereedschap dat niet wordt gebruikt op buiten bereik van kinderen, en laat mensen die onbekend zijn met het gereedschap of deze instructies het elektrische gereedschap niet

gebruiken. Elektrisch gereedschap is gevaarlijk voor gebruikers die er niet mee bekend zijn.

e) Onderhoud elektrisch gereedschap en accessoires zorgvuldig. Controleer dat bewegende delen goed zijn uitgelijnd en niet vastlopen, dat er geen beschadigde onderdelen zijn, of andere situaties die de werking van het gereedschap kunnen beïnvloeden. Bij beschadiging moet het elektrische gereedschap gerepareerd worden voordat het weer wordt gebruikt. Slecht onderhoud van elektrisch gereedschap leidt tot veel ongevallen.

f) Hou frezen, zagen, enz. scherp en schoon. Goed onderhouden frezen met scherpe snijkanten zullen minder snel vastlopen, en zijn beter te beheersen.

g) Gebruik het elektrische gereedschap, accessoires en toolbits, enz. in overeenstemming met deze instructies, rekening houdend met de werkomstandigheden en de uit te voeren werkzaamheden. Het gebruik van elektrisch gereedschap voor andere dan de bedoelde werkzaamheden kan leiden tot gevaarlijke omstandigheden.

h) Zorg dat handgrepen en grijpvlakken droog en schoon zijn, zonder olie of vet. Bij gladde handgrepen en grijpvlakken is veilig gebruik en beheersing van het gereedschap in onverwachte situaties onmogelijk.

5) Gebruik van en zorg voor accu's

a) Laad accu's alleen op met de lader aangegeven door de fabrikant. Een lader die geschikt is voor een bepaald type accu kan leiden tot brandgevaar bij gebruik met een ander type accu.

b) Gebruik elektrisch gereedschap alleen met de daarvoor bedoelde accu's. Het gebruik van andere accu's kan leiden tot risico op letsel of brand.

c) Als een accu niet in gebruik is, hou deze dan uit de buurt van metalen voorwerpen, zoals paperclips, munten, sleutels, spijkers, schroeven en andere kleine metalen voorwerpen die de accupolen met elkaar zouden kunnen verbinden. Het kortsluiten van de accupolen kan leiden tot brandwonden of brand.

d) Als een accu wordt misbruikt, kan er vloeistof uitstromen - voorkom contact met deze vloeistof. Als u er onbedoeld mee in aanraking komt, spoel deze dan weg met water. Als de vloeistof in de ogen komt, zoek dan ook medische hulp. Vloeistof die uit een accu komt, kan leiden tot irritatie of verbranding.

e) Gebruik geen accu of gereedschap dat is beschadigd of gewijzigd. Beschadigde of gewijzigde accu's kunnen onvoorspelbaar reageren, en dit kan leiden tot brand, explosie of gevaar op letsel.

f) Stel een accu of gereedschap nooit bloot aan vuur of een te hoge temperatuur. Blootstelling aan

brand of een temperatuur boven 130 °C kan leiden tot een explosie.

g) Volg alle aanwijzingen m.b.t. het laden, en laad de accu of het gereedschap niet buiten het temperatuurbereik genoemd in de aanwijzingen. Onjuist laden, of laden bij een temperatuur buiten het opgegeven bereik kan de accu beschadigen en het risico op brand vergroten.

6) Onderhoud

a) Laat het onderhoud aan het elektrische gereedschap uitvoeren door een gekwalificeerde reparateur, en alleen met identieke vervangingsonderdelen. Dat verzekert dat de veiligheid van het elektrische gereedschap bewaard blijft

b) Probeer nooit beschadigde accu's te repareren. Reparatie van accu's mag alleen worden uitgevoerd door de fabrikant of geautoriseerde dienstverlener.

Aanvullende, specifieke veiligheidsinstructies voor

slagschroevendraaiers

• Hou het elektrische gereedschap vast bij de geïsoleerde handvaten als de mogelijkheid bestaat dat het bevestigingsmiddel verborgen bedrading raakt. Als het bevestigingsmiddel een stroomdraad raakt, komen de blote metalen delen ook onder stroom te staan en deze kunnen de gebruiker dan een schok geven.

RESTRISICO'S


Ondanks het opvolgen van de relevante veiligheidsregels en toepassing van veiligheidsvoorzieningen, kunnen zekere restrisico's niet worden vermeden. Dit zijn:

- Gehoorschade.
- Risico op letsel door rondvliegende deeltjes.
- Risico op brandwonden door accessoires die heet worden tijdens gebruik.
- Risico op letsel door langdurig gebruik.

BEWAAR DEZE GEBRUIKSAANWIJZING

Elektrische veiligheid

De elektrische motor is ontworpen voor één bepaalde spanning. Controleer altijd dat de spanning op de accu overeenkomt met de spanning op het typeplaatje. Controleer ook dat de spanning van de lader overeenkomt met de netspanning.

 Uw Trend lader is dubbel geïsoleerd in overeenstemming met EN60335 en heeft dan ook geen aarddraad.

Als het netsnoer beschadigd wordt, moet het worden vervangen door een speciaal uitgevoerd netsnoer, leverbaar via de Trend service organisatie.

Vervanging van de netstekker (alleen voor VK en Ierland)

Als er een nieuwe netstekker gemonteerd moet worden:

- Gooi de oude netstekker veilig weg.
- Sluit de bruine ader aan op de fase-pen van de stekker.
- Sluit de blauwe ader aan op de nul-pen van de stekker.

 **WAARSCHUWING:** Er wordt niets aangesloten op de aard-pen. Volg de instructies op die worden meegeleverd met stekkers van goede kwaliteit. Aanbevolen zekering: 3 A.

Gebruik van een verlengsnoer

Een verlengsnoer mag alleen gebruikt worden als dat beslist nodig is. Gebruik een goedgekeurd verlengsnoer dat geschikt is voor de aansluiting van uw lader (zie **Technische gegevens**). De minimale aderdoorsnede is 1 mm²; De maximale lengte is 30 m. Bij gebruik van een kabelhaspel moet deze altijd geheel worden afgewikkeld.

Belangrijke veiligheidsaanwijzingen voor alle acculaders

• Voordat u de lader gebruikt, moet u alle aanwijzingen en waarschuwingen lezen op de lader, accu en het product dat de accu gebruikt.

 **WAARSCHUWING:** Gevaar op elektrische schok. Voorkom dat er vloeistof in de lader komt. Dat kan leiden tot elektrische schokken.

 **WAARSCHUWING:** Wij raden het gebruik aan van een aardlekschakelaar, met een uitschakelstroom van 30 mA of minder.

 **OPGELET:** Gevaar op brandwonden. Om het risico op letsel te verminderen, mogen alleen Trend accu's worden opgeladen. Andere soorten accu's kunnen barsten en dit kan leiden tot letsel en schade.

 **OPGELET:** Kinderen moeten onder toezicht zijn, zodat zij niet met het apparaat spelen.

OPMERKING: Onder bepaalde omstandigheden, als de lader op de stroomtoevoer is aangesloten, kan de lader worden kortgesloten door materiaal van buiten. Materiaal dat elektrisch geleidend is, zoals slijpstof,

metalen spanen, staalwol, aluminium folie en de opbouw van metalen deeltjes moet weg worden gehouden van de openingen in de lader. Neem de stekker van de lader altijd uit het stopcontact als er geen accu in zit. Neem de stekker van de lader altijd uit het stopcontact voordat u de lader schoonmaakt.

- **Jonge kinderen en mensen met beperkingen.** Dit apparaat is niet bedoeld voor gebruik zonder toezicht door jonge kinderen of personen met beperkingen.
- Dit product is niet bedoeld voor gebruik door personen (waaronder kinderen) met beperkte fysieke, sensorische of mentale capaciteit, of gebrek aan ervaring en/of gebrek aan kennis of vaardigheden, tenzij onder toezicht van een persoon die verantwoordelijk is voor hun veiligheid. Laat kinderen nooit alleen met dit product.
- **Probeer NOOIT de accu te laden met een lader anders dan beschreven in deze handleiding.** De lader en accu zijn speciaal ontworpen om samen gebruikt te worden.
- **Deze laders zijn niet bedoeld voor gebruik anders dan het opladen van Trend accu's.** Andere toepassingen kunnen leiden tot risico op brand, elektrische schokken of elektrocutie.
- **Stel de lader niet bloot aan regen of sneeuw.**
- **Bij het loskoppelen moet u aan de stekker trekken, niet aan het snoer.** Dat vermindert het risico op beschadiging van het netsnoer en de stekker.
- **Verzekert dat het netsnoer zo ligt dat er niet op gestapt wordt, men er niet over kan struikelen, of dat het anderszins wordt beschadigd of belast.**
- **Gebruik geen verlengsnoer tenzij dat absoluut noodzakelijk is.** Gebruik van een onjuist verlengsnoer kan leiden tot risico op brand, elektrische schok of elektrocutie.
- **Plaats geen voorwerp op de lader en plaats de lader niet op een zacht oppervlak dat de ventilatie-openingen kan afsluiten en kan leiden tot interne oververhitting.** Plaats de lader niet in de buurt van warmtebronnen. De lader wordt geventileerd door sleuven in de bovenkant en onderkant van de behuizing.
- **Gebruik de lader niet als het netsnoer of de stekker beschadigd zijn** — laat die onmiddellijk vervangen.
- **Gebruik de lader niet indien deze is blootgesteld aan een stoot, gevallen is, of anderszins beschadigd is.** Neem de lader dan naar een geautoriseerd servicecentrum.
- **Demonteer de lader nooit, neem deze naar een geautoriseerd servicecentrum indien onderhoud of reparatie nodig is.** Onjuiste hermontage kan leiden tot risico op elektrische schokken, elektrocutie of brand.
- Als het netsnoer beschadigd is, moet dit direct worden vervangen door de fabrikant, een

servicevertegenwoordiger of een vergelijkbaar gekwalificeerde persoon, om gevaar te voorkomen.

- **Neem de stekker uit het stopcontact voordat u de lader schoonmaakt. Dat vermindert het risico op elektrische schokken.** Het uitnemen van de accu vermindert dit risico niet.
- **NOOIT 2 laders met elkaar verbinden.**
- **Deze lader is ontworpen voor gebruik op een normale netspanning van 230V. Probeer deze niet op een andere spanning te gebruiken.** Dit is niet van toepassing op de lader voor gebruik in een voertuig.
- **Zorg dat de lader stabiel en veilig is opgesteld.** Een vallende accu of lader kan een risico op letsel bij uzelf of anderen inhouden.

BEWAAR DEZE GEBRUIKSAANWIJZING

Laders

Trend laders vereisen geen instellingen en zijn ontworpen om zo gemakkelijk mogelijk in gebruik te zijn.

De T18S/CH6A lader is geschikt voor 18V Li-Ion Trend accu's (T18S/BA2A, T18S/BA4AM en T18S/BA5A).



WAARSCHUWING: Alleen opladen met geschikte 18V laders. Het gebruik van andere laders kan leiden tot brand, schade of ernstig letsel.

Opladen en gebruik van accu's - (Fig. 4 – 4d)

- Om mogelijke problemen te voorkomen, wordt de accu voor dit gereedschap geleverd met weinig lading. U moet de accu dan ook opladen tot de groene led rechtsvoor op de lader oplicht.
- **OPMERKING:** De eerste keer dat een accu wordt opgeladen, zal deze niet de volledige lading bereiken. Na meerdere cyclussen (gebruik gevolgd door laden) zal de accu volledig geladen zijn.
- Lees eerst de veiligheidsinstructies en volg dan de laadinstructies.
- Sluit de lader aan op een normaal 230V~50Hz stopcontact, de groene led linksvoor op de lader zal oplichten.
- Zorg dat de kabel niet geknikt of geknoopt is.
- Plaats de accu in de lader. (NB: de accu heeft uitstekende ribbels zodat deze maar op één manier in de lader past). De laadtijd is 32, 48, of 54 minuten.
- De rode led rechtsvoor op de lader licht op om aan te geven dat de accu wordt geladen. Er licht een groene led op als de accu geheel geladen is.
- Als de lader niet gebruikt wordt, neem deze dat uit het stopcontact en berg deze op in een geschikte kast.

- Laad de accu niet op bij vrieskou omdat het laadvermogen dan onvoldoende is.
- Bij het laden van meerdere accu's na elkaar moet de lader steeds minstens 30 minuten afkoelen voordat de volgende accu wordt geladen.
- Als het gereedschap niet in gebruik is, moet de accu worden verwijderd en veilig worden opgeslagen.



OPGELET: Als tijdens het laden geen enkele led oplicht, neem de accu dan uit de lader om beschadiging te voorkomen. Plaats dan NOOIT een andere accu.

Koelsysteem

De lader heeft een interne ventilator om de lader te lader. Gebruik de lader nooit als de ventilator niet goed werkt of de ventilatie-openingen verstopt zijn. Voorkom dat voorwerpen in de lader dringen.

Vertraging bij een warme/koude accu

Als de lader merkt dat de accu te warm of te koud is, start deze automatisch een warm/koud wachttijd. Het laden wordt dan uitgesteld tot de accu de geschikte temperatuur heeft bereikt. De lader schakelt dan weer automatisch over naar opladen. Deze functie optimaliseert de levensduur van de accu.

Elektronisch beveiligingssysteem

Trend Li-Ion gereedschap is voorzien van een elektronisch beveiligingssysteem om de accu te beschermen tegen overbelasting, oververhitting of te diepe ontlading.

Het gereedschap schakelt automatisch uit als het elektronisch beveiligingssysteem geactiveerd wordt.

Accu's binnen opladen

Deze lader is ontworpen voor gebruik binnen. Wij raden gebruik in een woning niet aan. Bij voorkeur moeten accu's worden geladen op een werkbank in een werkplaats, garage of schuur. Als het laden in een woning moet worden gedaan, moet de omgeving goede ventilatie hebben en de lader moet op een onbrandbaar oppervlak staan en de ventilatie-openingen mogen niet geblokkeerd worden.

Montage op de muur

De laders zijn ontworpen voor montage op de muur, of rechtstandig gebruik op een tafel of ander oppervlak. Bij montage op de muur moet de lader worden gemonteerd in de buurt van een stopcontact, en niet bij een hoek of ander obstakel dat de luchtstroom zou kunnen beperken. Gebruik de achterkant van de lader als een mal om de plaats van de schroeven op de muur te bepalen. Monteer de lader met geschikte schroeven, afhankelijk van het type muur; wij bevelen een kopdoorsnede van 7 tot 9 mm en lengte van 25 mm aan. Laat de schroeven voldoende uitsteken om de lader te bevestigen. Lijn de uitsparingen op de achterkant van de lader uit met de schroeven en schuif deze in de uitsparingen.

Reinigen van de lader



WAARSCHUWING: Gevaar op elektrische schok. Neem de stekker van de lader uit het stopcontact voordat u de lader reinigt. U kunt vuil en vet van de buitenkant van de lader verwijderen met een doek of zachte, niet-metalen borstel. Gebruik nooit water of reinigungsoplossingen. Zorg dat er nooit vloeistof in het gereedschap komt, dompel nooit onderdelen van het gereedschap onder in vloeistof.



Accu's

Belangrijke veiligheidsaanwijzingen voor alle accu's

Bij het bestellen van vervangende accu's moet u altijd de referentie en de spanning opgeven.

Als u een nieuwe accu uit de verpakking neemt, is deze niet geheel geladen. Lees onderstaande veiligheidsinstructies voordat u de accu en lader gebruikt. Volg dan de beschreven laadinstructies.

LEES ALLE INSTRUCTIES

- **Laad of gebruik de accu niet in een explosieve atmosfeer, zoals in de aanwezigheid van brandbare vloeistoffen, gassen of stof.** Het plaatsen of verwijderen van de accu in/uit de lader kan het stof of de dampen ontsteken.
- **Forceer de accu nooit bij het plaatsen in de lader. Wijzig de accu nooit om deze in een ongeschikte lader te plaatsen; de accu zou dan kunnen barsten en dit kan leiden tot ernstig letsel.**
- Laad de accu's alleen op in Trend laders.
- Voorkom bespatten met of onderdompeling in water of een andere vloeistof.
- **Bewaar/gebruik het gereedschap en de accu niet op plekken waar de temperatuur lager kan worden dan 4°C (zoals in een schuur of metalen gebouw in de winter) of 40°C kan bereiken of overschrijden (zoals in een schuur of metalen gebouw in de zomer).**
- **Verbrand de accu nooit, ook niet als deze zwaar beschadigd is of geheel versleten is.** De accu kan in het vuur exploderen. Bij verbranding van lithium-ion accu's komen schadelijke dampen en stoffen vrij.
- **Als de inhoud van de accu in aanraking komt met uw huid, was deze dan direct af met zachte zeep en water.** Als de accuvloeistof in het oog komt, spoel dan water over het geopende oog, gedurende 15 minuten of tot de irritatie over is. Als er medische hulp nodig is, geef dan aan dat het elektrolyt in de accu bestaat uit een mengsel van vloeibare organische carbonaten en lithiumzouten.

- De inhoud van geopende accucellen kan irritatie van de luchtwegen veroorzaken. Zorg voor frisse lucht. Als de symptomen voortduren, raadpleeg dan een arts.



WAARSCHUWING: Gevaar op brandwonden. Accuvloeistof kan brandbaar zijn bij blootstelling aan vonken of open vuur.



WAARSCHUWING: Probeer de accu nooit open te maken, om welke reden dan ook. Als de behuizing van de accu gebarsten of beschadigd is, zet de accu dan niet in de lader. Voorkom bekneling, vallen of beschadiging van de accu. Als de accu of lader is blootgesteld aan een stoot, gevallen is, overreden is, of anderszins beschadigd is, mag deze niet gebruikt worden. Voorbeelden: doorboord met een spijker, geraakt door een hamer, er is iemand op gaan staan. Dit kan leiden tot een elektrische schok of elektrocutie. Beschadigde accu's moeten naar het servicecentrum gestuurd worden voor recycling.



WAARSCHUWING: Brandgevaar. Berg of transporteer de accu zo dat metalen voorwerpen niet in aanraking kunnen komen met de blootliggende accucontacten. Bijvoorbeeld: plaats de accu niet in een werkschort, kledingzak, gereedheidskist, productkist, lade, enz. met daarin losse spijkers, schroeven, sleutels, enz.



WAARSCHUWING: Als het gereedschap niet in gebruik is, moet het op een stevige ondergrond gezet worden waar het niet kan leiden tot struikelen of vallen. Sommige gereedschappen met grote accu's kunnen rechtop staan op de accu, maar kunnen dan makkelijk worden omgestoten.

Gebruik van accu's



Laadstatus

Om de resterende lading van de accu weer te geven, drukt u op de ladingsindicatie knop (Fig.2). Fig. 2a geeft het verband aan tussen de ledindicatie en de resterende lading.

OPMERKING: De acculadingsindicatie geeft niet meer dan een indicatie van de resterende lading van de accu. Het geeft geen informatie over de functionaliteit van het gereedschap, en kan variëren afhankelijk van de productonderdelen, temperatuur en toepassing door de eindgebruiker.

Zelfontlading

Een lithiumaccu kan zelfontlading ondergaan, waardoor de opgeslagen lading vermindert. Doorgaans verliest een accu ongeveer 5% van de lading in de eerste maand na het volledig opladen, bij opslag op kamertemperatuur,

en vervolgens 3% per maand. Bij opslag op hogere temperatuur zal de zelfontlading sneller verlopen.

Transport



WAARSCHUWING: Brandgevaar.

Transport van accu's kan leiden tot brand indien de accucontacten onbedoeld in aanraking komen met geleidende materialen. Bij het transport van accu's moet u veiligstellen dat de accucontacten beschermd zijn en geïsoleerd van materialen die ermee in aanraking zouden kunnen komen en zouden kunnen leiden tot kortsluiting.

OPMERKING: Lithium-ion accu's mogen niet in ruimbagage worden meegenomen.

Trend accu's voldoen aan alle geldende transportregels zoals vastgelegd in industrie- en bindende normen, waaronder de UN Recommendations on the Transport of Dangerous Goods; International Air Transport Association (IATA) Dangerous Goods Regulations, International Maritime Dangerous Goods (IMDG) Regulations, en de Europese overeenkomst voor het internationale vervoer van gevaarlijke goederen over de weg (ADR). Lithium-ion cellen en accu's zijn beproefd volgens artikel 38.3 van de UN Recommendations on the Transport of Dangerous Goods Manual of Tests and Criteria.

In de meeste gevallen zal een Trend accu bij transport niet worden aangemerkt als een klasse 9 gevaarlijke stof die volledig onder de regels valt. In het algemeen vallen alleen transporten met een lithium-ion accu met een capaciteit van meer dan 100 watt-uur (Wh) onder klasse 9 en volledig onder de regels.

De capaciteit in watt-uur is op de behuizing van alle lithium-ion accu's aangegeven. Bovendien raadt Trend, wegens de complexe regelgeving, het af losse lithium-ion accu's per lucht te verzenden, ongeacht de capaciteit in watt-uur. Transporten van gereedschappen met accu's (gecombineerde sets) kunnen per lucht worden getransporteerd, zonder beperkingen, indien de capaciteit in watt-uur van de accu niet groter is dan 100 watt-uur.

Bij alle transporten, of die nu onder de beperkingen en regelgeving vallen of niet, is de verzender verantwoordelijk voor het raadplegen van de actuele regels voor verpakking, etikettering/merktekens en vereiste documentatie.

De informatie in dit deel van het handboek wordt te goeder trouw gegeven en wij menen dat deze juist is ten tijde van het schrijven. Wij kunnen dit echter absoluut niet garanderen. De koper is verantwoordelijk voor het gebruik in overeenstemming met de geldende regelgeving.

Aanbevelingen voor het opbergen

De beste plaats voor het opbergen is een koele droge plek, uit de buurt van direct zonlicht en kou en hitte. Voor de optimale prestaties en levensduur moeten de accu's

op kamertemperatuur worden opgeborgen als ze niet in gebruik zijn.

Bij lange opslag wordt aanbevolen de geheel geladen accu op een koele, droge plaats op te bergen - niet in de lader - voor een optimaal resultaat.

OPMERKING: Accu's moeten niet worden opgeborgen als ze geheel ontladen zijn. De accu moet voor gebruik worden geladen.

Etiketten op de lader en accu

Naast de pictogrammen in deze handleiding kunnen de etiketten op de lader en de accu ook de onderstaande pictogrammen tonen: -



Lees de handleiding voor gebruik.



Zie Technische gegevens voor de laadtijd.



Accu wordt geladen.



Accu is geladen.



Accu is defect.



Vertraagd opladen (accu koelt af of te koude accu).



Niet aanraken met geleidende objecten.



Beschadigde accu's nooit opladen.



Niet blootstellen aan water.



Defecte snoeren onmiddellijk laten vervangen.



Alleen laden tussen and 40°C.



Alleen voor binnengebruik.



Li-Ion Voer de accu af in overeenstemming met milieuregelgeving.



Verbrand de accu niet.

LEVERINGSOMVANG

1 x slagschroevendraaier
1 x handleiding

OPMERKING: De B modellen worden geleverd zonder accu's, lader en koffer.

- Controleer het gereedschap, onderdelen en accessoires op eventuele transportschade.

- Neem de tijd om deze handleiding goed te lezen en te begrijpen voordat u dit product gebruikt.

PICTOGRAMMEN OP HET GEREEDSCHAP

Het product is voorzien van de onderstaande pictogrammen:



Lees de handleiding voor gebruik.

Positie van de datumcode

Het productiejaar is op het typeplaatje aangegeven.

BESCHRIJVING VAN DE ONDERDELEN - (Fig. 1)

- A. Schakelaar
- B. Links/rechts keuze
- C. Werkstand keuze
- D. Bithouder 1/4" (6,35 mm)
- E. Everlichting
- F. Handgreep
- G. Accuaansluiting
- H. Riemhaak

TOEPASSING

Deze slagschroevendraaier is bedoeld voor het indraaien van schroeven met slagwerking. Door de slagwerking is deze machine bijzonder nuttig voor het inschroeven van bevestigingsmiddelen in hout, metaal en beton.

NIET GEBRUIKEN onder natte omstandigheden of in de aanwezigheid van brandbare vloeistoffen of gassen. Deze boren/hamerboren/schroevendraaiers zijn professioneel elektrisch gereedschap.

VOORKOM dat kinderen aan dit product kunnen komen. Bij gebruik van dit product door onervaren gebruikers is toezicht vereist.

- **Jonge kinderen en mensen met beperkingen.** Dit apparaat is niet bedoeld voor gebruik zonder toezicht door jonge kinderen of personen met beperkingen.
- Dit product is niet bedoeld voor gebruik door personen (waaronder kinderen) met beperkte fysieke, sensorische of mentale capaciteit; of met gebrek aan ervaring, kennis of vaardigheden, tenzij onder toezicht van een persoon die verantwoordelijk is voor hun veiligheid. Laat nooit kinderen alleen met dit product.

MONTEREN EN INSTELLEN



WAARSCHUWING: Om het risico op ernstig letsel te verminderen, moet u het gereedschap uitschakelen en de accu verwijderen voordat u instellingen doet, of hulpstukken of accessoires monteert of verwijderd. Onbedoelde inschakeling kan letsel veroorzaken.



WAARSCHUWING: Gebruik alleen Trend accu's en laders.

Accu ladingsindicatie - (Fig. 2 - 2a)

Om de resterende lading van de accu weer te geven, drukt u op de ladingsindicatieknop

OPMERKING: De acculadingsindicatie geeft niet meer dan een indicatie van de resterende lading van de accu. Het geeft geen informatie over de functionaliteit van het gereedschap, en kan variëren afhankelijk van de productonderdelen, temperatuur en toepassing door de eindgebruiker.



Plaatsen en verwijderen van de accu op/van het gereedschap - (Fig. 3 & 3a)

OPMERKING: Verzekert dat de accu geheel geladen is.

OPMERKING: Om ernstig letsel te voorkomen, moet u de accu altijd verwijderen en uw handen uit de buurt van de vergrendelingsknop houden bij het dragen of transporteren van het gereedschap.

Onjuiste plaatsing van de accu kan interne onderdelen beschadigen.

Plaatsen van de accu in het gereedschap - (Fig. 3)

- Lijn de accu uit met de richels in de opening in het gereedschap voor de accu.
- Schuif de accu naar binnen tot deze goed vast zit en u de vergrendeling hoort inklikken.

Verwijderen van de accu van het gereedschap - (Fig. 3a)

- Druk op de ontgrendeling en trek de accu uit de opening.
- Plaats de accu in de lader, zoals beschreven onder 'Lader' van deze handleiding.

Schakelaar/snelheidsregeling - (Fig. 5)

- Om de machine in te schakelen, drukt u de schakelaar in.
- Om de machine uit te schakelen, laat u de schakelaar los. Deze machine heeft een rem. De bithouder stopt zodra u de schakelaar geheel loslaat.

OPMERKING: Voortdurend gebruik met variabele snelheid wordt afgeraden. Dit kan de schakelaar beschadigen en moet worden vermeden.

Links/rechts schakelaar - (Fig. 6)

- De links/rechts schakelaar regelt de draairichting van de machine en dient ook als vergrendelknop.

• Om draaien naar rechts (inschroeven) te kiezen, laat u de aan-uitschakelaar los, en drukt u op de links/rechts schakelaar aan de rechterkant van de machine.

• Om draaien naar links (uitschroeven) te kiezen, drukt u op de links/rechts schakelaar aan de linkerkant van de machine.

• In de middenstand vergrendelt deze schakelaar de machine in de uit-stand. Zorg dat de aan-uitschakelaarniet is ingedrukt als u de links/rechts schakelaar omzet.

OPMERKING: Direct nadat u de draairichting van de machine heeft omgesteld, hoort u bij het starten mogelijk een klik. Dat is normaal en wijst niet op een probleem.

Riemhaak - (Fig. 7)



BELANGRIJK: When attaching or replacing the belt hook or bit clip, use only the screw that is provided. Be sure to securely tighten the screw.

• De riemhaak kan aan de linker- of rechterkant van het gereedschap worden gemonteerd, voor links- of rechtshandige gebruikers. Als de haak of bitclip niet gewenst zijn, kunnen ze van het gereedschap worden gedemonteerd.

• Om de riemhaak om te zetten, maakt u de bevestigingsschroef los en monteert u de haak aan de andere kant. Draai deze schroef goed aan.



WAARSCHUWING: Om het risico op ernstig letsel te verminderen, moet u het gereedschap uitschakelen en de accu verwijderen voordat u instellingen doet, of hulpstukken of accessoires monteert of verwijderd.



WAARSCHUWING: Om het risico op ernstig letsel te verminderen, moet u de machine NIET boven u ophangen, of voorwerpen ophangen aan de riemhaak. Hang de riemhaak ALLEEN aan een werkmier.



WAARSCHUWING: Om het risico op ernstig letsel te verminderen, moet u verzekeren dat de schroef waarmee de haak bevestigd is goed gemonteerd is.

Bithouder met snelsluiting - (Fig. 8 - 8a)

WAARSCHUWING: Gebruik alleen accessoires voor een slagschroevendraaier. Andere accessoires kunnen breken en gevaar veroorzaken. Controleer het accessoire voor gebruik om te verzekeren dat het geen barsten heeft.

OPMERKING: De bithouder is alleen geschikt voor zeskantaccessoires van 6,35 mm (1/4 inch).

• Zet de links/rechts schakelaar op vergrendeld (middenstand) of verwijder de accu voordat u accessoires verwisselt.

• Om een accessoire te installeren, trek de ring van de bithouder naar voren [1] en duw het accessoire volledig in de bithouder. Duw de ring van de bithouder terug om het accessoire te vergrendelen.

• Om een accessoire te verwijderen, trekt u de kraag van de boorkop weg van de voorkant van het gereedschap, verwijder het accessoire en laat de ring los.

Werkstand keuze - (Fig. 9)



WAARSCHUWING: Om het risico op letsel te verminderen, moet u het accessoire uit de bithouder nemen voordat u de werkstand verandert.

Deze machine heeft een schakelaar voor de keuze van de werkstand. De drie standen worden in onderstaande tabel beschreven.

Draaisnelheid	Richting	Verlichting	Toepassing
Laag	Rechts/inschroeven	Groen	Werken met een laag aandraaimoment, delicaat werk
Hoog	Rechts/inschroeven	Groen	Werken met een hoger aandraaimoment, b.v. zelftappende schroeven
Auto-stop omkering	Omgekeerde	Amber	Omgekeerde

OPERATION



WAARSCHUWING: Volg altijd de veiligheidsvoorschriften en toepasselijke regelgeving op.



WAARSCHUWING: Om het risico op ernstig letsel te verminderen, moet u het gereedschap uitschakelen en de accu verwijderen voordat u instellingen doet, of hulpstukken of accessoires monteert of verwijderd. Onbedoelde inschakeling kan letsel veroorzaken.

Juiste plaatsing van de handen - (Fig. 10)



WAARSCHUWING: Om het risico op ernstig letsel te verminderen, moet u uw handen ALTIJD plaatsen zoals getoond.



WAARSCHUWING: Om het risico op ernstig letsel te verminderen, moet u het gereedschap ALTIJD goed vasthouden en plotselinge bewegingen anticiperen.

U moet de ene hand op de bovenkant van de machine plaatsen, en de andere hand op de handgreep.

Gebruik van de slagschroevendraaier



Deze slagschroevendraaier kan een maximum aandraaimoment ontwikkelen van: 145Nm..

- Plaats het accessoire in de bithouder. Plaats het gereedschap recht op het werkstuk.
- Druk op de schakelaar om het inschroeven te beginnen. Laat de schakelaar los om te stoppen. Controleer het aandraaimoment altijd met een momentsleutel, omdat het aandraaimoment van veel factoren afhangt, zoals:
 - **Spanning:** Een lage spanning, bij een bijna lege accu, vermindert het aandraaimoment.
 - **Maat van de dop:** Bij gebruik van een dop van de onjuiste maat vermindert het aandraaimoment.
 - **Doorsnede van de bout:** Bouten met een grotere doorsnede vereisen meestal een hoger aandraaimoment. Het aandraaimoment hangt ook af van de lengte, materiaalsoort en aandraaimomentcoëfficiënt.
 - **Bout:** Om een juist aandraaimoment te bereiken, moet de schroefdraad over de volle lengte vrij zijn van roest en andere verontreinigingen.
 - **Materiaal:** Het soort materiaal en de soort oppervlakteafwerking zijn ook van invloed op het aandraaimoment.
 - **Inschroeftijd:** Een langere inschroeftijd leidt tot een hoger aandraaimoment. Een langere inschroeftijd dan aanbevolen kan leiden tot overbelasting, strippen of beschadiging van de bevestigingsmiddelen.
- **WAARSCHUWING:** De voorkant van de slagschroevendraaier kan heet worden.

ONDERHOUD

Gebruik alleen originele Trend reserve onderdelen.

Deze machine is ontworpen voor een lange levensduur met minimaal onderhoud. De goede werking vereist goede zorg voor de machine en een regelmatige reiniging.



WAARSCHUWING: Om het risico op ernstig letsel te verminderen, moet u het gereedschap uitschakelen en de accu verwijderen voordat u instellingen doet, of hulpstukken of accessoires monteert of verwijdert. Onbedoelde inschakeling kan letsel veroorzaken.

De lader en accu zijn onderhoudsvrij.

Gebruik geen oplosmiddel bij het reinigen van kunststof onderdelen. De meeste kunststoffen zijn gevoelig voor allerlei oplosmiddelen en kunnen door gebruik daarvan worden beschadigd. Verwijder vuil, stof, olie, smeervet, enz. met een schone doek.



WAARSCHUWING: Zorg dat remvloeistof, benzine, producten op oliebasis, kruipolie, enz. nooit in aanraking komen met kunststof onderdelen. Chemicaliën kunnen kunststof beschadigen, verzwakken of vernietigen en kunnen leiden tot ernstig letsel.

Elektrisch gereedschap dat wordt gebruikt op fiberglas, muurplaten, vulmiddel of pleister zal sneller slijten en mogelijk voortijdig falen omdat het fiberglas en slijpstof bijzonder schadelijk zijn voor lagers, koolborstels, commutators, enz. Wij raden dit gereedschap dan ook niet aan voor het langdurig schuren van dergelijke materialen. Als u met dergelijke materialen werkt, is het bijzonder belangrijk het gereedschap met perslucht te reinigen.

Smearing

- Dit elektrische gereedschap heeft geen aanvullende smearing nodig.

Reinigen



WAARSCHUWING: Blaas verontreiniging en stof uit de behuizing met droge lucht zodra u ziet dat verontreiniging zich opbouwt in en rond de ventilatie-openingen. Draag hierbij altijd goedgekeurde oogbescherming en een goedgekeurd stofmasker.



WAARSCHUWING: Maak de niet-metalen onderdelen van het gereedschap nooit schoon met oplosmiddelen of andere bijtende chemicaliën. Deze chemicaliën kunnen de materialen van deze onderdelen verzwakken. Gebruik alleen een doek bevochtigd met water en zachte zeep. Zorg dat er nooit vloeistof in het gereedschap komt, dompel nooit onderdelen van het gereedschap onder in vloeistof.

Opbergen

- Plaats het gereedschap na gebruik in de verpakking.

MILIEUBESCHERMING



Gooi grondstoffen niet weg maar zorg voor recycling.



Accessoires en verpakking moeten worden gesorteerd voor milieuvriendelijke recycling.

Gescheiden afvoer. Dit product mag niet worden afgevoerd met huishoudelijk afval.

Accu's en het milieu

Deze machine gebruikt lithium-ion (Li-Ion) accu's. Als een accu vervangen moet worden, raden wij het volgende aan: Ontlaad de accu geheel door deze te gebruiken tot hij leeg is, neem de accu dan van het gereedschap.



Li-Ion cellen kunnen gerecycled worden, gooi ze dus niet weg met huishoudelijk afval. Anders zouden ze in de afvalverbranding of stortplaats terecht kunnen komen - dat moet worden vermeden.

Neem de accu's naar een Trend servicevertegenwoordiger, uw Trend dealer, of een recyclingvoorziening. Neem indien nodig contact op met de gemeente voor informatie over de afvoer. De ingezamelde accu's worden op de juiste wijze afgevoerd en/of gerecycled.

Huishoudelijke gebruikers

Plaatselijke regelgeving voorziet mogelijk in de aparte inzameling van elektrische producten, bij een gemeentelijk milieupunt, of bij de leverancier waar u een nieuw product koopt. Neem contact op met de klantenservice van Trend over advies over de milieuverantwoorde afvoer van overtollige elektrische Trend producten, of bezoek www.trend-uk.com

Bedrijfsmatige gebruikers

Neem contact op met de klantenservice van Trend over de afvoer van overtollige elektrische Trend producten.

GARANTIE

Dit product heeft fabrieksgarantie in overeenstemming met voorwaarden op de bijgesloten garantiekaart.

Voor het adres van de dichtstbijzijnde Trend servicevertegenwoordiger kunt u de klantenservice van Trend bellen, of zie www.trend-uk.com

SE - T18S/ID

Grattis till din nya Trend-produkt. Vi hoppas att du kommer att få många års kreativ och produktiv användning.

Glöm inte att skicka in garantikortet inom 28 dagar efter inköpet.

TEKNISKA DATA

Spänning	VDC	18
Batterityp		Li-Ion
Chuckstorlek	Tum	1/4
Varvtal obelastad	varv per minut	2,400 – 2,800
Vikt	kg	1.13
Max. åtdragningsmoment	Nm	130
Antal slag	ipm	3000
Batteri*		
Batteriets kapacitet	Ah	2
	Ah	4
	Ah	5
Laddare*		
Matningsspänning	V	220 - 240
Nätffrekvens	Hz	50/60
Utspanning	VDC	21
Utström	A	6
Laddningstid T18S/BA2A**	min	32
Laddningstid T18S/BA4AM**	min	48
Laddningstid T18S/BA5A**	min	54
* Endast för modeller utrustade med batteri och laddare ** Laddningstid gäller endast för batteri med kapacitet som anges i tabellen		
Bullervärden och vibrationsvärden (triaxial vektorsumma) enligt EN 62841-2-2		

Ljudtrycksnivå L_{pA}	dB (A)	78.1
Ljudeffektnivå L_{WA}	dB (A)	89.1
K_{pA} (osäkerhet för angivet ljudtryck)	dB (A)	3
Vibrationsemissionsvärde (Ah) =	m/s^2	8.58
Osäkerhet (K) =	m/s^2	1.5

Vibrations- och/eller bullernivå som anges i detta informationsblad har uppmätts i enlighet med ett standardiserat test i EN 62841 och kan användas för att jämföra verktyg med varandra. Den kan användas för en preliminär uppskattning av exponering.



VARNING: Angiven vibrationsnivå gäller vid verktygets huvudsakliga avsedda användning. Om verktyget används för olika tillämpningar, med andra tillbehör eller underhålls dåligt kan vibrationsemissionen avvika. Detta kan öka exponeringsnivån avsevärt under den totala arbetsperioden. Vid en uppskattning av exponering för vibrationer ska det också tas hänsyn till de tidpunkter då verktyget är avstängt eller när det används för annat än att utföra arbetet. Detta kan reducera exponeringsnivån avsevärt under den totala arbetsperioden. Identifiera ytterligare säkerhetsåtgärder som behöver vidtas för att skydda operatören från biverkningar från vibrationer, som till exempel underhåll av verktyget och dess tillbehör, att hålla händerna varma och upprätta arbetsmönster.

EG-FÖRSÄKRAN OM ÖVERENSSTÄMMELSE

MASKINDIREKTIVET



SLADDLÖS SLAGSKRUVDRAGARE T18S/ID

Trend försäkrar att produkten som beskrivs under tekniska data överensstämmer med 2006/42/EG och har utformats i enlighet med EN 62841-2-2:2014, EN 62841-1:2015.

Denna produkt uppfyller även direktiven 2014/30/EU och 2011/65/EU.

Om du vill ha mer information kan du kontakta Trend på följande adress eller se baksidan av handboken. Undertecknad gör denna försäkran på uppdrag av Trend Tool Technology Ltd.

Neil McMillan
Technical Director

Trend Tool Technology Ltd,
Odhams Trading Estate,
Watford, WD24 7TR,
Storbritannien

01.08.2021

Technical File Contact
Trend Tool Technology Ltd,
3rd Floor, Kilmore House,
Park Lane, Spencer Dock,
Dublin 1, Irland



VARNING: Läs bruksanvisningen. Det är viktigt för att du ska kunna minska risken för personskada.

Definitioner: Säkerhetsanvisningar

Definitionerna nedan beskriver allvarlighetsgraden för varje signalord. Läs handboken och var uppmärksam på dessa symboler.



FARA: Indikerar en överhängande farlig situation som, om den inte undviks, **kommer att** leda till **dödsfall eller allvarlig personskada**.



VARNING: Indikerar en potentiellt farlig situation som, om den inte undviks, **kan** leda till **dödsfall eller allvarlig personskada**.



VAR FÖRSIKTIG: Indikerar en potentiellt farlig situation som, om den inte undviks, **kan** leda till **lättare eller lindrig personskada**.



OBSERVERA: Anger en praxis, **inte kopplad till personskada**, som, om den inte undviks, **kan** leda till **egendomsskador**.



Indikerar risk för elstöt.



Indikerar brandrisk.



ALLMÄNNA SÄKERHETSVARNINGAR FÖR ELVERKTYG



VARNING: Läs alla säkerhetsvarningar, anvisningar, illustrationer och specifikationer som medföljer detta elverktyg. Underlåtenhet att följa samtliga anvisningar som anges nedan kan leda till elstöt, brand och/eller allvarlig personskada.

SPARA ALLA VARNINGAR OCH ANVISNINGAR FÖR FRAMTIDA REFERENS

Termen "elverktyg" i varningarna avser ditt eldrivna (sladdanslutna) elverktyg eller batteridrivet (sladdlöst) elverktyg.

1) Arbetsplats säkerhet

a) Försäkra dig om att arbetsområdet är rent och väl upplyst. Belamrade eller mörka områden ökar risken för olycka.

b) Använd inte elverktyg i explosiva miljöer, till exempel i närheten av brandfarliga vätskor, gaser eller damm. Vid användning av elverktyg genereras gnistor som kan antända damm eller ångor.

c) Håll barn och obehöriga på avstånd när elverktyg används. Distractioner kan leda till att du förlorar kontrollen.

2) Elsäkerhet

a) Elverktygets kontakt måste passa korrekt i vägguttaget. Modifiera aldrig kontakten på något sätt. Använd inte kontaktadapter när du använder jordade elverktyg. Omodifierade kontakter och matchande vägguttag minskar risken för elstöt.

b) Undvik kroppskontakt med jordade ytor som rör, kylare, spisar och kylskåp. Risken för elstöt ökar om din kropp är jordad.

c) Utsätt inte elverktyg för regn eller våta förhållanden. Om det kommer in vatten i elverktyget ökar risken för elstötar.

d) Använd inte sladden på fel sätt. Använd aldrig sladden för att bära, dra eller koppla ur elverktyget. Se till att sladden inte kommer i kontakt med värme, olja, vassa kanter eller rörliga delar. Skadade eller intrasslade sladdar ökar risken för elstöt.

e) Vid användning av elverktyg utomhus måste du använda en förlängningssladd som är lämplig för utomhusbruk. Vid användning av sladd avsedd för utomhusbruk minskar risken för elstöt.

f) Om det inte går att undvika att elverktyget används på en fuktig plats måste strömförsörjningen skyddas med jordfelsbrytare (RCD). Användning av jordfelsbrytare minskar risken för elstöt.

3) Personlig säkerhet

a) Var uppmärksam, tänk på vad du gör och använd sunt förnuft när du använder elverktyg. Använd inte elverktyg när du är trött eller påverkad av droger, alkohol eller läkemedel. Ett ögonblicks ouppmärksamhet vid användning av elverktyg kan leda till allvarlig personskada.

b) Använd personlig skyddsutrustning. Använd alltid ögonskydd. Skyddsutrustning som dammask, halkfria skyddsskor, skyddshjälm eller hörselskydd minskar risken för personskada.

c) Förhindra oavsiktlig start. Försäkra dig om att brytaren är i avstängt läge innan du ansluter verktyget till strömkälla och/eller batteripaket och innan du lyfter upp eller bär det. Det föreligger mycket stor risk för olycka om du bär elverktyg med fingret på strömbrytaren eller om du ansluter elverktyg till strömförsörjning när brytaren är intryckt.

d) Ta bort eventuell justeringsnyckel eller fast nyckel innan du startar elverktyget. Om det sitter

nyckel eller justeringsnyckel på någon av elverktygets roterande delar finns det risk för personskada.

e) Sträck dig inte för långt. Se till att du alltid står stadigt och har balans. På så sätt har du lättare att kontrollera elverktyget i oväntade situationer.

f) Klä dig på rätt sätt. Bär inte kläder som sitter löst eller smycken. Håll hår och kläder på säkert avstånd från rörliga delar. Löst sittande kläder, smycken eller långt hår kan fastna i rörliga delar.

g) Om det finns enheter för anslutning av dammutsugs- och uppsamlingsanläggningar ska du se till att dessa är anslutna och används på rätt sätt. Vid användning av dammuppsamling kan dammrelaterade risker minska.

h) Även om du har mycket erfarenhet av verktyg är det viktigt att du inte blir för självsäker och slutar följa säkerhetsrutiner för verktyget. En enda vårdslös handling kan orsaka allvarlig personskada inom bråkdelen av en sekund.

4) Användning och skötsel av elverktyg

a) Forcera inte elverktyget. Använd korrekt elverktyg för tillämpningen. Med korrekt elverktyg utförs det arbete som verktyget är avsett för både bättre och säkrare.

b) Använd endast elverktyg som kan startas och stängas av med brytaren. Alla elverktyg som inte kan regleras med brytaren är farliga och måste repareras.

c) Koppla bort kontakten från strömkälla och/eller batteripaket (om det är borttagbart) innan du utför några justeringar, byter tillbehör eller förvarar elverktyg. Sådana förebyggande säkerhetsåtgärder minskar risken att elverktyget startas oavsiktligt.

d) Förvara elverktyg utom räckhåll för barn. Låt endast personer som är vana vid användning av elverktyget eller som har läst dessa anvisningar använda elverktyget. Elverktyg är farliga om de används av utbildade användare.

e) Underhåll elverktyg och tillbehör. Kontrollera om rörliga delar är felaktigt inriktade eller om de kärvar, om det finns trasiga delar eller annat som kan påverka elverktygets funktion. Försäkra dig om att eventuellt skadat elverktyg repareras före användning. Många olyckor orsakas av dåligt underhållna elverktyg.

f) Håll skärverktygen slipade och rena. Korrekt underhållna skärverktyg med slipade skäreppor är mindre benägna att kärva och är lättare att kontrollera.

g) Använd elverktyg, tillbehör och fräsverktyg etc. enligt dessa anvisningar och ta hänsyn till arbetsförhållanden och det arbete som ska utföras. Användning av elverktyg för annat än avsedd användning kan leda till farlig situation.

h) Håll handtag och greppytorna torra, rena och fria från olja och fett. Håll handtag och greppytorna äventyrligt säkra hantering och kontroll av verktyget i

oväntade situationer.

5) Användning och skötsel av batteridrivet verktyg

a) Ladda endast med den laddare som specificerats av tillverkaren. En laddare som är lämplig för en typ av batteripaket kan utgöra en brandrisk när den används tillsammans med ett annat batteripaket.

b) Använd endast elverktyg tillsammans med avsett batteripaket. Användning av andra batteripaket kan utgöra en risk för personskada och brand.

c) Batteripaket som inte används ska förvaras på säkert avstånd från andra metallföremål, som till exempel gem, mynt, nycklar, spikar, skruvar eller andra små metallföremål som kan kortsluta polerna. Kortslutning av batteripolerna kan orsaka brännskada eller brand.

d) Vid felaktiga förhållanden kan vätska spruta ut ur batteriet. Försäkra dig om att du inte kommer i kontakt med denna vätska. Spola med rikligt med vatten om du kommer i kontakt med denna vätska. Sök läkarhjälp om du får vätska i ögonen. Vätska som sprutar ut ur batteriet kan orsaka irritation eller brännskada.

e) Använd inte batteripaket eller verktyg som har skadats eller modifierats. Skadade eller modifierade batterier kan fungera på ett oförutsägbart sätt och orsaka brand, explosion eller risk för personskada.

f) Utsätt inte ett batteripaket eller verktyg för brand eller för hög temperatur. Exponering för brand eller temperatur högre än 130 °C kan orsaka explosion.

g) Följ alla laddningsanvisningar och ladda inte batteripaket eller verktyg utanför det temperaturintervall som anges i anvisningarna. Felaktig laddning eller laddning vid temperaturer utanför angivet intervall kan skada batteriet och öka risken för brand.

6) Service

a) Försäkra dig om att elverktyget servas av behörig reparatör som använder sig uteslutande av originalreservdelar. På så sätt säkerställs att elverktyget är säkert.

b) Reparera inte skadat batteripaket. Service av batteripaket får utföras endast av tillverkaren eller auktoriserad serviceverkstad.



Ytterligare specifika säkerhetsregler för mutterdragare/ slagskruvdragare

• Håll elverktyget i de isolerade greppytorna när du utför ett moment där fästelementet kan komma i kontakt med dolda kablar. Om fästelement kommer i kontakt med en strömförande

kabel kan elverkytgets metalldelar bli strömförande och utsätta operatören för elstöt.

KVARSTÅENDE RISKER

Trots tillämpning av relevanta säkerhetsbestämmelser och implementering av säkerhetsanordningar kan vissa kvarstående risker inte undvikas. Dessa är:

- Hörselnedsättning.
- Risk för personskada på grund av flygande partiklar.
- Risk för brännskada på grund av att tillbehören blir heta under drift.
- Risk för personskada på grund av långvarig användning.

SPARA DESSA INSTRUKTIONER



Elsäkerhet

Elmotorn har konstruerats för endast en spänning. Kontrollera alltid att batteripaketets spänning överensstämmer med den spänning som anges på märkplåten. Försäkra dig också om att laddarens spänning överensstämmer med nätspänningen.



Trend-laddaren är dubbelisolerad i enlighet med EN 60335, och därför behövs ingen jordledning.

Om nätsladden är skadad måste den bytas ut (den får endast ersättas med sladd som Trends serviceorganisation tillhandahåller).

Byte av nätkontakt (endast Storbritannien och Irland))

Om en ny nätkontakt behöver installeras:

- Avfallshantera den gamla kontakten på korrekt sätt.
- Anslut den bruna ledaren till den strömförande plinten i kontakten.
- Anslut den blå ledaren till neutral plint.



VARNING: Ingen anslutning får utföras till jordplinten.

Följ monteringsanvisningar för kontakten (monteringsanvisningar medföljer kvalitetskontakter). Rekommenderad säkring: 3A.

Använda en förlängningskabel

Använd förlängningssladd endast om detta är absolut nödvändigt. Använd en godkänd förlängningssladd med dimension som är lämplig för laddarens ineffekt (se **tekniska data**). Min. tvärsnittsarea för ledare är 1 mm². Max. längd är 30 meter. När du använder en kabeltrumma ska du alltid rulla ut kabeln helt.

Viktiga säkerhetsanvisningar

för alla batteriladdare

- Innan du använder laddaren är det viktigt att du läser alla anvisningar och varningsmarkeringar på laddare, batteripaket och produkt som använder batteripaketet.



VARNING: Risk för elstöt. Försäkra dig om att det inte kan komma in vätska i laddaren (om det gör det kan följden bli elstöt).



VARNING: Vi rekommenderar att du använder jordfelsbrytare med avsedd för restström 30 mA eller lägre.



VAR FÖRSIKTIG: Risk för brännskada. Ladda endast laddningsbara Trend-batterier (på så sätt minimerar du risken för personskada). Andra typer av batterier kan spricka och orsaka personskada och skada på egendom.



VAR FÖRSIKTIG: Försäkra dig om att barn övervakas så att de inte kan leka med apparaten.

OBSERVERA: Under vissa förhållanden, när laddaren är ansluten till strömförsörjning, kan laddaren kortslutas av främmande material. Främmande material som är elektriskt ledande som till exempel (men inte begränsat till) slipdamm, metallspånor, stålull, aluminiumfolie eller ansamling av metallpartiklar måste hållas på säkert avstånd från laddarens håligheter. Koppla alltid bort laddaren från strömförsörjning när det inte finns något batteri i den. Koppla bort laddaren från strömförsörjning innan du rengör den.

- **Små barn och svaga personer.** Denna apparat är inte avsedd att användas av små barn eller svaga personer som inte övervakas.
- Denna produkt är inte avsedd att användas av personer (inklusive barn) som lider av nedsatt fysisk, sensorisk eller mental förmåga eller med bristande erfarenhet och/eller kunskap eller färdighet, såvida de inte övervakas av en person som ansvarar för deras säkerhet. Barn får aldrig lämnas ensamma så att de kan leka med den här produkten.
- **Försök INTE ladda batteripaketet med andra laddare än de som beskrivs i denna handbok.** Laddare och batteripaket är särskilt avsedda att användas tillsammans.
- **Dessa laddare är inte avsedda för andra användningsområden än laddning av laddningsbara Trend-batterier.** Andra användningsområden kan leda till risk för brand, elstöt eller livsfarlig elektrisk stöt.
- **Utsätt inte laddaren för regn eller snö.**

- **Dra i kontakten (inte i sladden) när du kopplar bort laddaren från strömförsörjning.** (på så sätt minskar du risken för skada på kontakt och sladd).
- **Försäkra dig om att sladden är placerad på ett sätt så att det inte finns risk att någon trampar eller snubblar på den eller att den på annat sätt kan utsättas för skada eller påfrestningar.**
- **Använd förlängningssladd endast om det är absolut nödvändigt.** Fel typ av förlängningssladd kan orsaka brand, elstöt eller livsfarlig elektrisk stöt.
- **Placera inga föremål ovanpå laddaren. Placera inte heller laddaren på en mjuk yta som kan blockera ventilationsöppningar och leda till mycket hög intern värme.** Placera laddaren på säkert avstånd från annan värmekälla. Laddaren ventileras genom öppningar längst upp och längst ned på höljet.
- **Använd inte laddaren om dess sladd eller kontakt är skadad** — lämna omedelbart in laddaren för reparation.
- **Använd inte laddaren om den har fått ett hårt slag, om den har tappats eller på annat sätt skadats.** Lämna in den till auktoriserat servicecenter.
- **Demontera inte laddaren. Ta med den till ett auktoriserat servicecenter vid behov av service eller reparation.** Felaktig montering kan leda till risk för elstöt, livsfarlig elektrisk stöt eller brand.
- Skadad nätsladd måste omedelbart bytas ut av tillverkaren, tillverkarens serviceagent eller liknande behörig person, för att undvika eventuell fara.
- **Koppla bort laddaren från vägguttaget innan du rengör den. Detta minskar risken för elstöt.** Det räcker inte att ta bort batteripaketet för att minska risken för elstöt.
- **KOPPLA INTE** ihop två laddare.
- **Laddaren är avsedd för strömförsörjning med hushållsel (230 V). Strömförsörj den inte med någon annan spänning.** Detta gäller inte för billaddaren.
- **Försäkra dig om att laddaren står stabilt och säkert.** Batteri eller laddare som faller kan utgöra en risk för personskada – både för dig och/eller andra personer.

SPARA DESSA INSTRUKTIONER

Laddare

Trend-laddare behöver inte justeras. De är utformade för att vara så enkla som möjligt att använda.

Laddaren T18S/CH6A är avsedd för Trend-batteripaket (Li-jon, 18 V) (T18S/BA2A, T18S/BA4AM och T18S/BA5A).



VARNING: Ladda endast i kompatibla laddare (18 V). Användning av andra laddare kan leda till brand, skada eller allvarlig personskada.

Laddning av batteri och drift - (Fig. 4 & 4d)



- Batteripaketet för detta verktyg har fraktats i ett tillstånd med låg laddningsnivå, för att förhindra eventuella problem. Därför ska du ladda det tills den gröna lysdioden på den främre högra sidan av laddaren lyser.
- **OBS:** Batterierna kan inte fulladdas den första gången de laddas. Det krävs flera cykler (användning följd av laddning) för de ska bli fulladdade.
- Läs säkerhetsanvisningarna och ladda därefter enligt laddningsanvisningar.
- Anslut laddaren till ett standardvägguttag (230 VAC, 50 Hz) (den gröna lysdioden på laddarens vänstra framsida tänds).
- Försäkra dig om att sladden inte har knutar eller är böjd.
- Placera batteripaketet i laddaren (batteriet har ribbor som gör att det kan placeras endast på ett sätt i laddaren). Det finns tre laddningstider: 32, 48 och 54 minuter.
- Den röda lysdioden på laddarens främre högra sida tänds för att indikera att laddning pågår. En grön lysdiod tänds när batteriet är fulladdat.
- Koppla bort laddaren från strömförsörjning när den inte används och förvara den i ett lämpligt förvaringsskåp.
- Ladda inte batteriet i minusgrader (eftersom laddningseffekten då inte är tillräcklig).
- Om du laddar mer än ett batteripaket i följd måste laddaren få svalna i minst 30 minuter innan du laddar ett nytt batteri.
- Ta alltid ut batteripaketet och förvara det på ett säkert sätt när verktyget inte används.



VAR FÖRSIKTIG: Om ingen lysdiod lyser någon gång under laddning tar du ut batteripaketet ur laddaren (det finns risk att produkten skadas annars). Sätt INTE i ett annat batteri.

Kylsystem

Laddaren har en inbyggd fläkt som har till uppgift att kyla ned Laddaren. Använd laddaren endast om fläkten fungerar korrekt och ventilationsöppningarna är fria från hinder. Försäkra dig om att främmande föremål inte kan komma in i laddaren.

Avbrott i laddning vid varmt/kallt batteripaket

När laddaren detekterar att batteripaketet är för varmt eller för kallt avbryter den automatiskt laddningen tills batteripaketet har uppnått korrekt temperatur. Laddaren

växlar därefter automatiskt till laddningsläge för batteripaketet. Tack vare den här funktionen kan maximal livslängd för batteripaketet säkerställas.

Elektroniskt skyddssystem

Trend-verktyg med Li-jon-batteri har ett elektroniskt skyddssystem som skyddar batteripaketet mot överbelastning, överhettning eller djupurladdning. Verktyget stängs av automatiskt när det elektroniska skyddssystemet aktiveras.

Batteriladdning inomhus

Laddaren är avsedd att användas inomhus. Vi rekommenderar emellertid att den inte används inomhus i hem. Bäst är det om batterier laddas placerade på en bänk i verkstad, garage eller bod. Om laddningen ska utföras inomhus i hemmamiljö måste området vara väl ventilerat. Försäkra dig om att laddaren placeras på en icke brännbar yta och att ventilationsöppningarna inte är igensatta

Väggmontering

Dessa laddare är avsedda att monteras på vägg eller placeras upprätt på bord eller arbetsyta. Vid väggmontering ska laddaren placeras inom räckhåll för ett vägguttag och på säkert avstånd från hörn eller andra hinder som kan hindra luftflödet. Använd laddarens baksida som mall när du märker upp var fästskruvarna ska placeras på väggen. Montera laddaren säkert med lämpliga fästen för vägg (vi rekommenderar skruvar med huvuddiameter 7–9 mm och längd 25 mm). Skruva i skruvarna så att de sticker ut lagom mycket för att montera laddaren på dem. Rikta in öppningarna på baksidan av laddaren mot skruvarna och haka på öppningarna på skruvarna.

Anvisningar för rengöring av laddare



VARNING: Risk för elstöt. Koppla bort laddaren från vägguttaget före rengöring. Smuts och fett kan avlägsnas från laddarens utsida med en trasa eller en mjuk borste (ej metallborste). Använd inte vatten eller rengöringsmedel. Försäkra dig om att det inte kommer in vätska i verktyget och doppa inte någon del av verktyget i vätska

Batteripaket

Viktiga säkerhetsanvisningar för alla batteripaket

När du beställer ersättningsbatteripaket är det viktigt att du anger produktpreferens och spänning.

Batteripaketet levereras inte fulladdat. Läs säkerhetsanvisningarna nedan innan du använder batteripaket och laddare. Följ därefter angivet laddningsförfarande.

LÄS ALLA ANVISNINGAR

- **Ladda/använd inte batteri i explosionsfarlig miljö, till exempel i närheten av brandfarliga vätskor, gaser eller damm.** Damm eller ångor kan antändas när batteriet sätts i eller tas ut ur laddaren.
- **Tvinga inte i batteripaketet i laddaren. Modifiera inte batteripaketet på något sätt för att det ska passa i en ej kompatibel laddare (batteripaketet kan gå sönder och orsaka allvarlig personskada).**
- Ladda batteripaket endast i Trend-laddare.
- **UNDIK** att stänka ned med eller sänka ned i vatten eller annan vätska.
- **Förvara eller använd inte verktyg och batteripaket på platser där temperaturen kan sjunka under 4°C (till exempel i utomhusskjul eller metallbyggnader på vintern) eller som kommer upp i eller överstiger 40°C (till exempel utomhusskjul eller metallbyggnader på sommaren).**
- **Elda inte upp batteripaketet – även om det är allvarligt skadat eller helt utslitet.** Batteripaketet kan explodera om det utsätts för eld. Giftiga ångor och material genereras när litiumjonbatteripaket brinner.
- **Tvätta omedelbart hud som har kommit i kontakt med batterivätska med mild tvål och vatten.** Om du får batterivätska i ögon sköljer du i rikligt med vatten i 15 minuter eller tills irritationen upphör. Om du behöver läkarvård är det viktigt att du kan informera läkaren om vad batterielektrolyten består av: Den består av en blandning av flytande organiska karbonater och litiumsalter.
- **Innehållet i öppnade battericeller kan orsaka irritation i andningsvägar.** Uppsök frisk luft. Om symtomen kvarstår uppsöker du läkare.



VARNING: Risk för brännskada. Batterivätska kan vara brandfarlig om den utsätts för gnista eller låga.



VARNING: Försök inte öppna batteripaketet. Om batteripaketets hölje är sprucket eller skadat får du inte sätta i det i laddaren. Var försiktig så att du inte krossar, tappar eller skadar batteripaketet. Använd inte batteripaket eller laddare som har utsatts för hårt slag, tappats, körts över eller skadats på något sätt (till exempel punkterats med en spik, utsatts för hammarslag eller trampats på). Om du gör det kan följden bli elstöt eller livsfarlig elektrisk stöt. Lämna in eventuellt skadat batteripaket till servicecenter för återvinning.



VARNING: Brandris Förvara eller bär inte batteripaketet så att metallföremål kan komma i kontakt med exponerade batteripoler. Placera till exempel inte batteripaketet i förkläde, fickor, verktygslåda, produktlåda, lådor eller liknande där det förvaras lösa spikar, skruvar, nycklar etc.



VAR FÖRSIKTIG: När verktyget inte används placerar du det på sidan på en stabil yta där det inte kan utgöra en snubbel- eller fallrisk. Vissa verktyg med stora batteripaket står upprätt på batteripaketet, men kan lätt vältras om de stöts till.

Batteridrift

Laddningsstatus

Tryck på indikatorknapp för laddningsnivå (fig. 2) för att visa batteriets återstående laddning. I fig. 2a visas förhållandet mellan lysdiodindikering och återstående laddning.

OBS: Indikator för batteriets laddningsnivå visar endast en indikation på batteripaketets återstående laddning. Den indikerar inte verktygets funktion och kan variera beroende på produktkomponenter, temperatur och användarens tillämpning av det.

Självladdning

Ett litiumbatteri kan självladdas och förlora sin laddning. Vanligtvis kan det förlora cirka 5 % av sin laddning under den första månaden efter fulladdning (när det förvaras i rumstemperatur) och sedan ytterligare 3 % per månad. Vid förvaring vid högre temperaturer ökar takten för självladdningen.

Transport



VARNING: Brandrisk. Vid transport av batterier kan brand uppkomma om batteripolerna råkar komma i kontakt med elektriskt ledande material. Försäkra dig vid transport av batterier om att batteripolerna är skyddade och säkert isolerade från material som kan komma i kontakt med dem och orsaka kortslutning.

OBS! Litiumjonbatterier får inte placeras i lastrumsbagage.

Trend-batterier uppfyller alla tillämpliga fraktbestämmelser enligt branschstandarder och rättspraxis inklusive FN:s rekommendationer om transport av farligt gods, IATA:s bestämmelser för transport av farligt gods, IMDG-bestämmelser (International Maritime Dangerous Goods) och den europeiska överenskommelsen om internationell transport av farligt gods på väg (ADR). Litiumjunceller och -batterier har testats enligt avsnitt 38.3 i FN:s testhandbok (Transport of Dangerous Goods Manual of Tests and Criteria). I de flesta fall förväntas frakt av

Trend-batteripaket att undantas från klassificering fullt reglerad transport enligt klass 9. I allmänhet behöver endast leveranser som innehåller litiumjonbatteri med energiklassificering högre än 100 Wh (wattimmar) fraktas som fullt reglerad transport enligt klass 9.

Alla förpackningar med litiumjonbatterier märks med antal wattimmar (Wh). På grund av komplexa bestämmelser rekommenderar Trend att litiumjonbatteripaket inte flygfraktas ensamt, oberoende av dess wattimmar. Frakt av verktyg med batterier (kombinerade satser) kan flygfraktas som undantag om batteripaketets wattimmar inte överstiger 100 Wh.

Oavsett om en frakt betraktas som undantagen eller fullt reglerad är det avsändarens ansvar att kontrollera giltiga bestämmelser gällande förpackning, märkning och dokumentation.

Vi tillhandahåller informationen i detta avsnitt i handboken i god tro med övertygelsen att den är korrekt vid tidpunkten då dokumentet upprättades. Vi lämnar ingen garanti, varken uttrycklig eller underförstådd. Det är köparens ansvar att säkerställa att hans/hennes verksamhet följer gällande bestämmelser.

Förvaringsrekommendationer

Rekommenderad förvaringsplats ska vara sval och torr, där det inte förekommer direkt solljus eller extrema temperaturer (mycket varmt eller kallt). Förvara batteripaket i rumstemperatur när de inte används (på så sätt säkerställs optimal prestanda och livslängd).

Vid långvarig förvaring rekommenderar vi att du förvarar fulladdat batteripaket på en sval och torr plats utanför laddaren (detta är optimala förhållanden för batteripaketet).

OBS: Batteripaket får inte förvaras helt urladdade. Batteripaketet måste laddas innan det används.

Etiketter på laddare och batteripaket

Förutom de piktogram som används i denna handbok kan etiketter på laddare och batteripaket visa följande piktogram: -



Läs handboken före användning.



Se tekniska data för laddningstid.



Batteriladdning.



Batteri laddat.



Batteri defekt.



Fördröjd uppladdning (Batterikylning eller för kallt batteri).



Undersök inte med ledande föremål.



Ladda inte skadade batteripaket.



Exponera inte för vatten.



Byt ut defekta sladdar omedelbart.



Ladda endast i temperatur mellan 4°C and 40°C.



Avsett endast för inomhusbruk.



Li-Ion Kassera batteripaketet på ett miljövänligt sätt.



Elda inte upp batteripaketet.

OBJEKT SOM MEDFÖLJER

1 x slagskruvdragare
1 x handbok

OBS: Batteripaket, laddare och satslådor ingår inte för modeller av typ B.

- Kontrollera om det finns skador på verktyget, delar eller tillbehör som kan ha inträffat under transport.
- Ta dig tid att noggrant läsa igenom och få koll på anvisningarna i den här handboken före användning.

MÄRKEN PÅ VERKTYGET

Följande piktogram visas på verktyget:



Läs handboken före användning.

Datumkod position

Tillverkningsåret indikeras på märkplåten.

BESKRIVNING AV DELAR - (Fig. 1)

- Startknapp
- Medurs/moturs-knapp
- Lägesväljare
- Nyckellös chuck 1/4 tum (6,35 mm)
- Lampa
- Handtag
- Batteriport
- Bälteskrok

AVSEDD ANVÄNDNING

Denna slagskruvdragare är avsedd för skruvning där slagfunktion behöver användas. Slagfunktionen gör detta verktyg särskilt användbart för att skruvning av fästelement i trä, metall och betong.

ANVÄND INTE under våta förhållanden eller i närheten av brandfarliga vätskor eller gaser.

Dessa bormaskiner/skruvdragare/borrhämmare är professionella elverktyg.

LÅT INTE barn röra verktyget. Övervakning krävs när oerfarna användare använder det här verktyget.

- **Små barn och svaga personer.** Denna apparat är inte avsedd att användas av små barn eller svaga personer som inte övervakas.
- Denna produkt är inte avsedd att användas av personer (inklusive barn) som lider av nedsatt fysisk, sensorisk eller mental förmåga, bristande erfarenhet, kunskap eller färdigheter, såvida de inte övervakas av en person som ansvarar för deras säkerhet. Barn får aldrig lämnas ensamma med den här produkten.

MONTERING OCH JUSTERING



WARNING: Risk för allvarlig personskada
Stäng av verktyget och koppla bort batteripaketet innan du utför någon justering eller borttagning/ installation av tillbehör. Oavsiktlig start kan leda till personskada.



WARNING: Använd endast Trend-batteripaket och -laddare.

Batteriets laddningsnivå - (Fig. 2 - 2a)

Tryck på indikatorknapp för laddningsnivå för att visa batteriets återstående laddning.

OBS: Indikator för batteriets laddningsnivå visar endast en indikation på batteripaketets återstående laddning. Den indikerar inte verktygets funktion och kan variera beroende på produktkomponenter, temperatur och användarens tillämpning av det.

Sätta i batteripaketet i och ta ut det

från verktyget - (Fig. 3 - 3a)

OBS: Försäkra dig om att batteripaketet är fulladdat.

OBS: För att undvika allvarlig personskada måste du alltid ta ut batteripaketet och hålla händerna borta från låsknappen när du bär eller transporterar verktyget.

Felaktig installation av batteripaketet kan orsaka skador på interna komponenter.

Montera batteripaketet i verktygshandtaget - (Fig. 3)

- Rikta in batteripaketet med skenorna på insidan av överfräsens batteriport.
- Sätt i batteripaketet i batteriporten tills det sitter ordentligt (försäkra dig om att du kan höra låset snäppa fast).

Ta bort batteripaket från verktyg - (Fig. 3a)

- Tryck på frigöringsknappen och dra ut batteripaketet ur batteriporten.
- Sätt i batteripaketet i laddaren enligt beskrivning i avsnitt om laddare i denna handbok.

Startknapp för reglerbart varvtal - (Fig. 5)

- Håll inne startknappen för att starta verktyget.
- Släpp upp startknappen för att stänga av verktyget. Detta verktyg har en broms. Chucken stannar direkt när startknappen släpps upp

OBS: Vi rekommenderar att du inte kör maskinen kontinuerligt på reglerbart varvtal. Brytaren kan skadas om du gör det.

Medurs/moturs-knapp - (Fig. 6)

- En medurs/moturs-knapp används för att ställa in verktygets rotationsriktning och som frigöringsknapp.
- Ställa in medursrotation: Släpp upp startknappen och tryck in medurs/moturs-knappen på höger sida av verktyget.
- Ställa in motursrotation: Tryck på medurs/moturs-knappen på vänster sida av verktyget.
- När ställknappen är ställd i mittläget är verktyget i avstängt läge. Försäkra dig om att startknappen är uppsläppt när du ändrar läge på ställknappen.

OBS: Första gången verktyget används efter att rotationsriktningen har ändrats kan du höra ett klick vid start. Detta är helt normalt.

Bälteskrok - (Fig. 7)



VIKTIGT: Använd endast medföljande skruv när du sätter fast eller byter ut bälteskrok eller bältesclip. Försäkra dig om att du drar åt skruven ordentligt.

- Bälteskroken kan fästas på verktygets båda sidor med medföljande skruv för användning av både vänster- och högerhänta användare. Om du inte använder bälteskrok eller bältesclip kan du ta bort dem från verktyget.
- För att flytta bälteskroken skruvar du ur skruven som håller den på plats och flyttar över den till andra sidan. Försäkra dig om att du drar åt skruven ordentligt.



WARNING: Risk för allvarlig personskada
Stäng av verktyget och koppla bort batteripaketet innan du utför någon justering eller borttagning/ installation av tillbehör.



WARNING: Risk för allvarlig personskada
Häng INTE upp verktyget över huvudhöjd och häng inte föremål i bälteskroken. Häng upp verktyget **ENDAST** i bälteskrok i arbetsbälte



WARNING: Risk för allvarlig personskada
Försäkra dig om att skruven som håller fast bälteskroken är ordentligt åtdragen

Snabbchuck - (Fig. 8 & 8a)

WARNING: Använd endast bits avsedda för slagskruvdragare. Bits som inte är avsedda för slagskruvdragare kan gå sönder och orsaka farlig situation. Inspektera bitsen före användning och försäkra dig om att de inte har några sprickor.

OBS: Chucken kan användas endast med bits som har 1/4"-fäste (6,35 mm).

- Sätt medurs/moturs-knappen i friläge (mitten) eller ta ut batteripaketet innan du byter bits.
- För att installera ett tillbehör dra chuckens stoppring framåt [1] och tryck in hela tillbehöret i chucken. Tryck chuckens stoppring bakåt för att låsa tillbehöret.
- För att ta bort ett tillbehör drar du bort chuckkragen från verktygets framsida, avlägsna tillbehöret och lossa stoppringen.

Lägesväljare - (Fig. 9)



WARNING: Risk för personskada
Ta bort bits från chucken innan du använder lägesväljaren.

Detta verktyg har en lägesväljare. Se tabellen nedan för information om de tre olika lägena.

Varvtal	Rotation-sriktning	Status-lampa	Tillämpning
Låg	Medurs	Grön	Lågt åtdragningsmoment och finbearbetning
Hög	Medurs	Grön	Högre åtdragningsmoment, t.ex. självgående skruvar
Automatiskt motursstopp	Omvänd	Bärnsten	Omvänd

DRIFT



WARNING: Följ alla säkerhetsanvisningar och tillämpliga bestämmelser.



VARNING: Risk för allvarlig personskada. Stäng av verktyget och koppla bort batteripaketet innan du utför någon justering eller borttagning/installation av tillbehör. Oavsiktlig start kan leda till personskada.

Korrekt handposition - (Fig. 10)



VARNING: Risk för allvarlig personskada. Försäkra dig om att du **ALLTID** håller handen i korrekt position (se bild).



VARNING: För att minska risken för allvarlig personskada är det mycket viktigt att du **ALLTID** är beredd på att verktyget kan rycka till plötsligt.

Korrekt handposition: En hand placerad på bormaskinens ovansida (se bild) och den andra handen på handtaget.



Använda slagskruvdragare

Slagskruvdragaren genererar följande max. åtdragningsmoment: 145Nm..

- Placera bitsen i chucken. Håll verktyget riktat rakt mot arbetsstycket.
- Tryck på startknappen för att starta rotationen. Släpp upp startknappen för att stoppa rotationen. Kontrollera alltid åtdragningsmomentet med en momentnyckel eftersom åtdragningsmomentet påverkas av många faktorer, inklusive följande:
- **Spänning:** Låg spänning, på grund av nästan urladdat batteri, reducerar åtdragningsmomentet.
- **Storlek för hylsa:** Om du inte använder hylsa med rätt storlek reduceras åtdragningsmomentet.
- **Skruvstorlek:** Större skruvdiameter kräver normalt högre åtdragningsmoment. Åtdragningsmomentet varierar också beroende på längd, kvalitet och momentkoefficient.
- **Skruv:** Försäkra dig om att alla gängor är fria från rost och annat skräp som kan påverka åtdragningsmomentet.
- **Material:** Materialets typ och ytfinhet påverkar också åtdragningsmomentet.
- **Fastskruvningstid:** När fastskruvningstiden överskrider rekommenderad tid kan följden bli att fästelementet överbelastas eller att dess gängor skadas.



VARNING: Framdelen på slagskruvdragarens kåpa kan bli varm.



UNDERHÅLLE

Använd endast originalreservdelar och -tillbehör från Trend.

Elverktyget har utformats så att det ska kunna användas under en lång tidsperiod med minimalt underhåll. Verktyget måste hanteras korrekt och rengöras regelbundet för att fungera felfritt.



VARNING: Risk för allvarlig personskada. Stäng av verktyget och koppla bort batteripaketet innan du utför någon justering eller borttagning/installation av tillbehör. Oavsiktlig start kan leda till personskada.

Laddaren och batteripaketet går inte att serva.

Undvik att använda lösningsmedel vid rengöring av plastdelar. De flesta plaster skadas lätt av olika typer av kommersiella lösningsmedel. Använd rena trasor för att ta bort smuts, damm, olja, fett etc.



VARNING: Försäkra dig om att bromsvätska, bensen, petroleumbaserade produkter, penetrerande olja etc. inte kan komma i kontakt med plastdelar. Kemikalier kan skada, försvaga eller förstöra plast och orsaka allvarlig personskada.

Elverktyg som används på glasfibermaterial, träfiberskiva, spackel eller gips slits snabbare och kan utsättas för förtida fel på grund av spån och damm från glasfiber som är mycket skadliga för lager, borstar, kommutatorer etc. Därför rekommenderar vi att detta verktyg inte används för långvarigt arbete på dessa typer av material. Om du arbetar med något av dessa material är det hur som helst mycket viktigt att du rengör verktyget med tryckluft.

Smörjning

- Elverktyget behöver ingen ytterligare smörjning.

Rengöring



VARNING: Blås bort smuts och damm från maskinkroppen med torr tryckluft, så fort du ser att smuts ansamlas i och runt ventilationsöppningarna. Använd godkänt ögonskydd och godkänd dammask under detta förfarande.



VARNING: Använd inte lösningsmedel eller andra starka kemikalier vid rengöring av verktygets icke-metalliska delar. Dessa kemikalier kan försvaga materialerna i dessa delar. Använd endast trasa fuktad med vatten och mild såpa. Försäkra dig om att det inte kommer in vätska i verktyget och doppa inte någon del av verktyget i vätska.



Li-Ion

Förvaring

- Lägg tillbaka verktyget i dess förpackning efter varje användning.



MILJÖSKYDD



Återvinn råmaterial istället för att kassera det som avfall. Sortera tillbehör och förpackningar för miljövänlig återvinning.

Separat insamling. Produkten får inte kasseras tillsammans med vanligt hushållsavfall.



Batterier och miljön

I denna enhet används litiumjonbatterier (Li-jon). Vi rekommenderar att du följer nedanstående anvisningar vid byte av batteripaket: Töm batterier på energi genom att köra maskinen tills batteriet är helt slut. Ta därefter ut det från verktyget.

Litiumjonceller kan återvinnas, så kasta inte litiumjonbatteri i hushållsavfall. Om du gör det kan de hamna i en soptippningsanläggning eller på en soptipp, vilket måste undvikas.

Ta istället med batterier till Trends serviceagent, din lokala Trend-återförsäljare eller en lokal återvinningsstation. Kontakta vid behov kommunen och be om information om avfallshandling. Insamlade batterier kasseras på korrekt sätt och/eller används för återvinning.

Hushållsanvändare

Lokala bestämmelser kan föreskriva separat insamling av elektriska produkter från hushåll, vid kommunala avfallsanläggningar eller av återförsäljaren när du köper en ny produkt. Ring Trends kundtjänst om du vill ha råd om hur du kasserar Trend-produkter på ett miljövänligt sätt eller besök www.trend-uk.com

Företagsanvändare

Ring Trends kundtjänst för kassering av elektriska Trend-produkter.

GARANTI

Enheten har en tillverkargaranti i enlighet med villkor på bifogat garantikort.

För information om din närmaste Trend-serviceagent, kontakta Trends kundtjänst eller se vår lista över återförsäljare på www.trend-uk.com



Trend Tool Technology Ltd.

Watford, WD24 7TR, England

Tel: 0044(0)1923 249911

technical@trendm.co.uk

www.trend-uk.com

EU Importer:

Trend Tool Technology Ltd.

3rd Floor, Kilmore House, Park Lane, Spencer Dock,

Dublin 1, Ireland



RECYCLABLE

© Trend Tool Technology Ltd. 2021.

© All trademarks acknowledged E&OE

No part of this publication may be reproduced, stored or transmitted in any form without prior permission. Our policy of continuous improvement means that specifications may change without notice. Trend Tool Technology Ltd, cannot be held liable for any material rendered unusable, or for any for of consequential loss. E&OE.

