

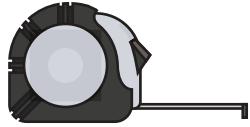
IN8232

Trade Van Racking - Double Unit

THANK YOU FOR PURCHASING A VAN GUARD TRADE VAN RACKING UNIT

TOOLS REQUIRED

TAPE MEASURE X1



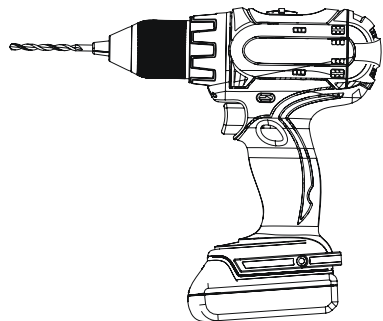
SPANNER (10MM / M6) X 2



SPANNER (13MM / M8) X 2



DRILL (Ø8.5) X 1



ONE PERSON



FITTING TIME
(APPROXIMATELY)



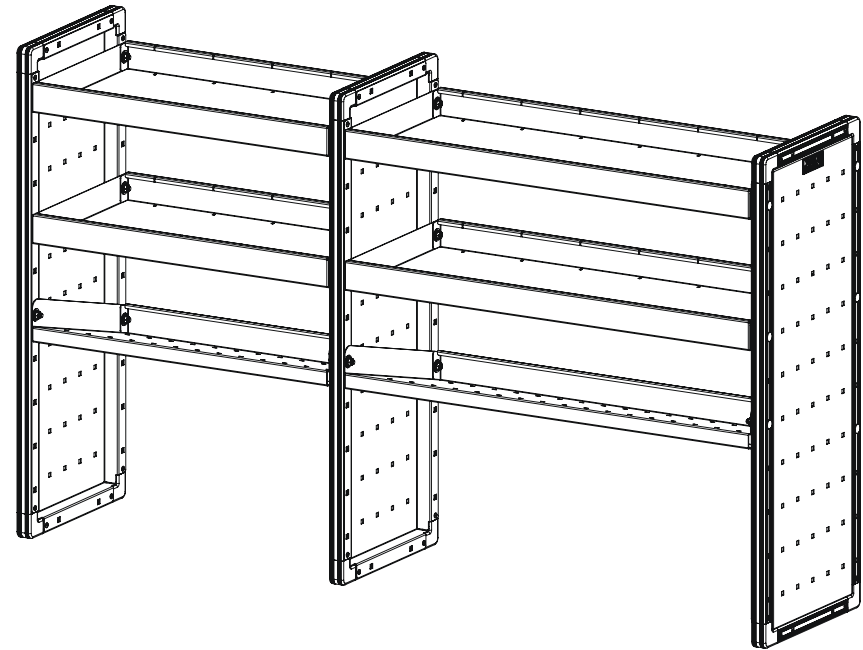
CAUTION



It is important that care is taken when drilling and fixing to your vehicle.

You should note that it is the responsibility of the installer/s to ensure that when drilling holes in to your vehicle to take fixings, care must be taken to ensure that the fuel line, tyres, fuel tank, wiring loom, exhaust, bodywork and brake lines etc. are not damaged.

If in doubt refer to the vehicle manufacturer's dealership.



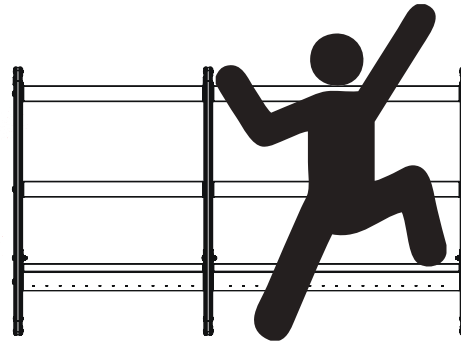


PLEASE TAKE THE TIME TO READ THROUGH THE IMPORTANT INFORMATION BELOW BEFORE PROCEEDING TO FIT THIS PRODUCT

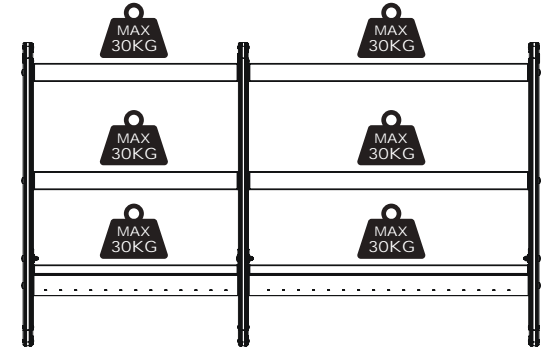


FAILURE TO TAKE NOTICE OF THE FOLLOWING INFORMATION MAY RESULT IN SERIOUS INJURY AND / OR DAMAGE TO THE VEHICLE.

1. You should note that it is the responsibility of the installer/s to ensure that when drilling holes in to your vehicle to take fixings, care must be taken to ensure that the fuel line, tyres, fuel tank, wiring loom, exhaust, bodywork and brake lines etc. are not damaged. If in doubt refer to the vehicle manufacturer's dealership.
2. When fitting the unit to the side of a vehicle we recommend that the fixing brackets are fixed to the inner steel skin of the vehicle. Fixing to a plywood lining alone is not adequate.
3. When fixing to the side of a vehicle, care should be taken to ensure there is sufficient room between the inner and outer skin, so as not to puncture the outer skin of the vehicle.
4. When drilling, use as short a drill bit as possible to prevent damaging the vehicle. Use corrosion protection when drilling.
5. Regularly inspect all fixings and parts. Any damaged or worn parts should be immediately removed the vehicle and replaced.
6. We recommend this product is only fitted to vehicles with a full bulkhead.
7. This product must be fixed in place, even if it is not to be fitted inside a vehicle.



Do not climb or stand on the assembled unit.



Do not exceed the maximum weight limit of 30KG per shelf.



Wear the appropriate protective equipment (safety glasses & gloves) while fitting this product.



Dispose of packaging materials responsibly - Do not dispose until you have checked all parts and fixings are present.



Retain these fitting instructions for future reference.



It is important that the end user receives this instruction even if they are not the fitter.



KT5447

SHELF FIXING KIT

FX4011 X4
(M8 FLANGE NUT)



FX4040 X4
(M8 WASHER)



FX4138 X4
(M8X50 COACH BOLT - BLACK)



ME0918 X3



ME0919 X6



ME0920 X3



KT5453

FIXING KIT A

FX4002 X9
(M8 NYLOC NUT)



FX4011 X6
(M8 FLANGE NUT)



FX4040 X124
(M8 WASHER)



FX4048 X6
(M8X50 COACH BOLT)



FX4140 X9
(M8X50 HEX BOLT)



KT5454

FIXING KIT B

FX4011 X12
(M8 FLANGE NUT)



FX4040 X12
(M8 WASHER)



FX4048 X6
(M8X50 COACH BOLT)



FX4141 X6
(M8X16 COACH BOLT)



KT5455

FIXING KIT C

FX4013 X12
(M6 WASHER)



FX4016 X12
(M6 FLANGE NUT)



FX4040 X12
(M8 WASHER)



FX4061 X12
(M6X14 HEX BOLT)



FX4142 X12
(No14 3/4" SELF TAP SCREW)





SHELF FIXING METHOD (PAGE 1 OF 1)

1.1 Open KT5447 (shelf fixing kit) - This fixing kit will be packed in the same box as the shelves (one fixing kit per shelf) and will provide the fixings required to assemble the shelves to the side panels. See page three for the parts included in this fixing kit.

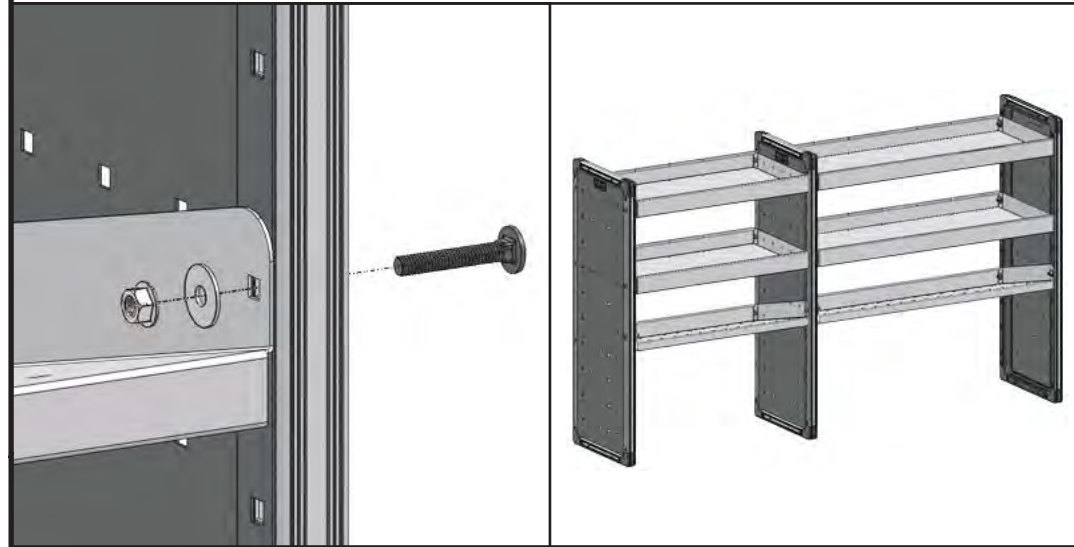


WE ADVISE OPENING EACH FIXING KIT WHEN INSTRUCTED AT THE RELEVANT STEP

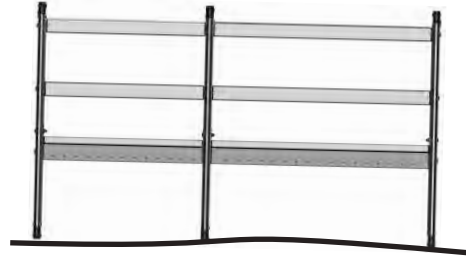
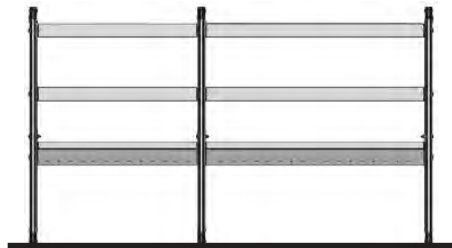
KT5447 SHELF FIXING KIT	KT5453 FIXING KIT A	KT5454 FIXING KIT B	KT5455 FIXING KIT C
FX4011 X4 (M8 FLANGE NUT)	FX4002 X8 (M8 FLANGE NUT)	FX4011 X12 (M8 FLANGE NUT)	FX4013 X12 (M8 FLANGE NUT)
FX4040 X4 (M8 FLANGE NUT)	FX4011 X6 (M8 FLANGE NUT)	FX4040 X12 (M8 FLANGE NUT)	FX4018 X12 (M8 FLANGE NUT)
FX4138 X4 (M8 FLANGE NUT BLACK)	FX4040 X124 (M8 FLANGE NUT)	FX4048 X6 (M8 FLANGE NUT)	FX4060 X12 (M8 FLANGE NUT)
ME0918 X3	FX4048 X6 (M8 FLANGE NUT)	FX4113 X6 (M8 FLANGE NUT)	FX4061 X12 (M8 FLANGE NUT)
ME0919 X6	FX4140 X6 (M8 FLANGE NUT)		FX4142 X12 (M8 FLANGE NUT)
ME0929 X3			

IN8232 - PAGE 1 OF 6

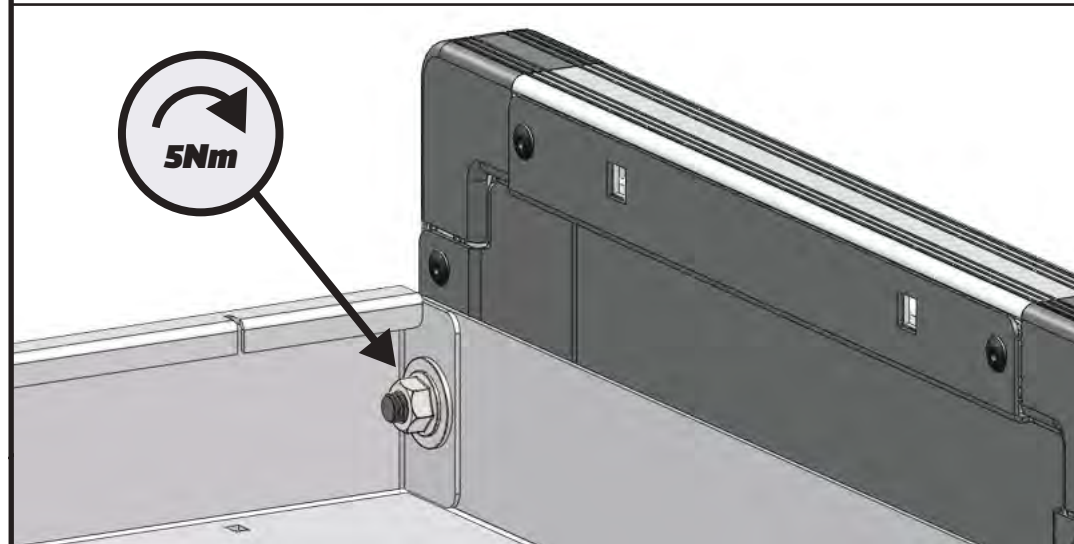
1.2 Loosely secure the shelves to the side panels using M8x50 coach bolts, M8 washers and M8 flange nuts.



1.3 Ensure the assembled unit is on a flat surface prior to tightening the fixings.



1.4 Tighten all fixings to 5Nm. Take care not to damage the unit by over tightening the fixings.





RECOMMENDED FLOOR FIXING METHOD (PAGE 1 OF 2)

2.1 The following steps list our recommended method for fixing the racking unit to the floor of a vehicle. Prior to proceeding past this point please take the time to read through the important notes on page two.

PLEASE TAKE THE TIME TO READ THROUGH THE IMPORTANT INFORMATION BELOW BEFORE PROCEEDING TO FIT THIS PRODUCT

FAILURE TO TAKE NOTICE OF THE FOLLOWING INFORMATION MAY RESULT IN SERIOUS INJURY AND/OR DAMAGE TO THE VEHICLE.

- You should only use this tool/apparatus if you are able to ensure that when driving home as you return to work. Always wear seat belts to ensure that the feet, legs, feet, feet, arms, neck, torso, head and limbs are not damaged. For a full list of the vehicle manufacturer's requirements.
- When fitting this unit to the side of a vehicle we recommend that the floor brackets are fixed to the rear steel ribs of the vehicle. Fitting to any other ribbing may be required.
- When fitting to the side of a vehicle, care should be taken to ensure there is sufficient space between the rear and side ribs so as not to protrude the rear ribs of the vehicle.
- When using any sheet of metal as a protection to prevent corrosion to vehicle, use corrosion protection when drilling.
- Respectfully inspect all fixings and parts. Any damaged or worn parts should be immediately replaced the vehicle and replaced.
- We recommend the product is only fitted to vehicles with a full loadout.
- This product must be fitted to a vehicle which is not to be used as a vehicle.

Do not stand or climb on the racking unit.

Do not exceed the maximum weight limit of 200kg per shelf.

Wear the appropriate protective equipment safety glasses & gloves when fitting this product.

Wear the appropriate protective equipment safety glasses & gloves when fitting this product.

Steps of packaging materials responsibly - do not dispose with you. Recycle all parts and fixings as directed.

Please read fitting instructions for future reference.

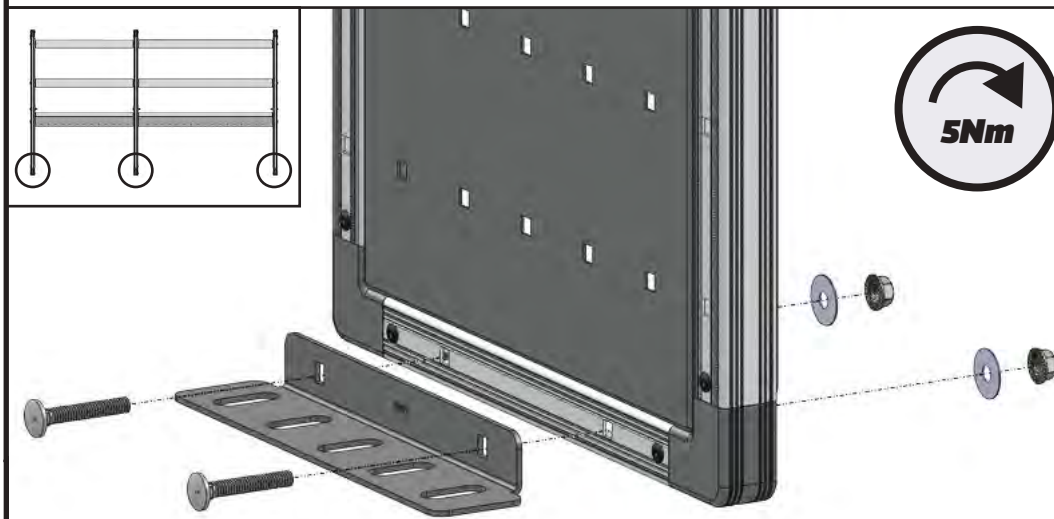
It is important that the user always reads the full fitting instructions before use.

IN8232 - PAGE 2 OF 5

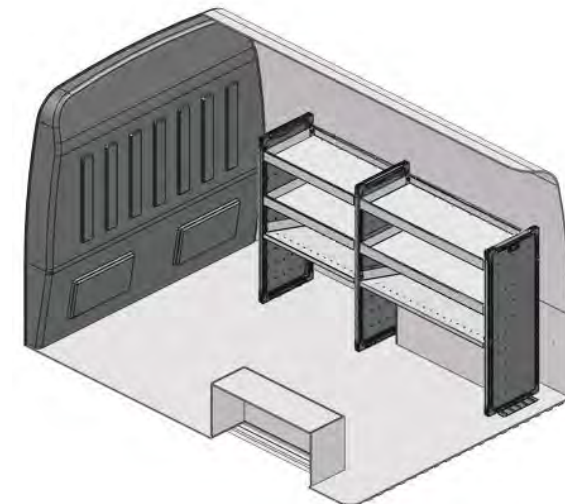
2.2 Open KT5453 (fixing kit A) - This fixing kit will provide the fixings to fix the unit to the floor of a vehicle. See page three for the parts included in this fixing kit.



2.3 Secure the floor brackets (ME0918) to the side panels using M8x50 coach bolts, M8 washers and M8 flange nuts. Tighten to 5Nm. Take care not to damage the unit by over tightening the fixings.



2.4 Position the unit inside the vehicle in desired position.





2.5



CAUTION



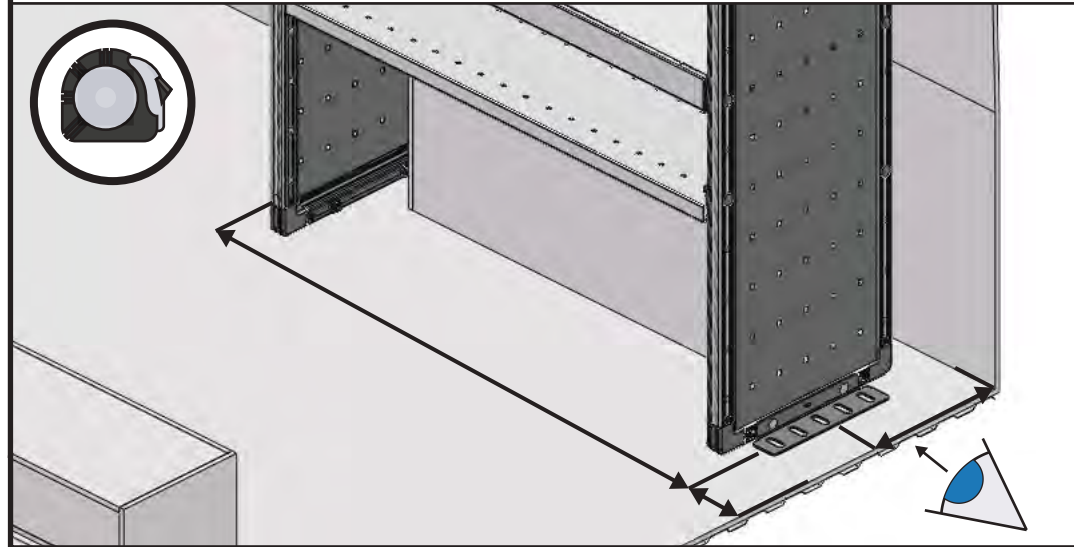
It is important that care is taken when drilling **and fixing to your vehicle.**

You should note that it is the responsibility of the installer/s to ensure that when drilling holes in to your vehicle to take fixings, care must be taken to ensure that the fuel line, tyres, fuel tank, wiring loom, exhaust, bodywork and brake lines etc. are not damaged.

If in doubt refer to the vehicle manufacturer's dealership.

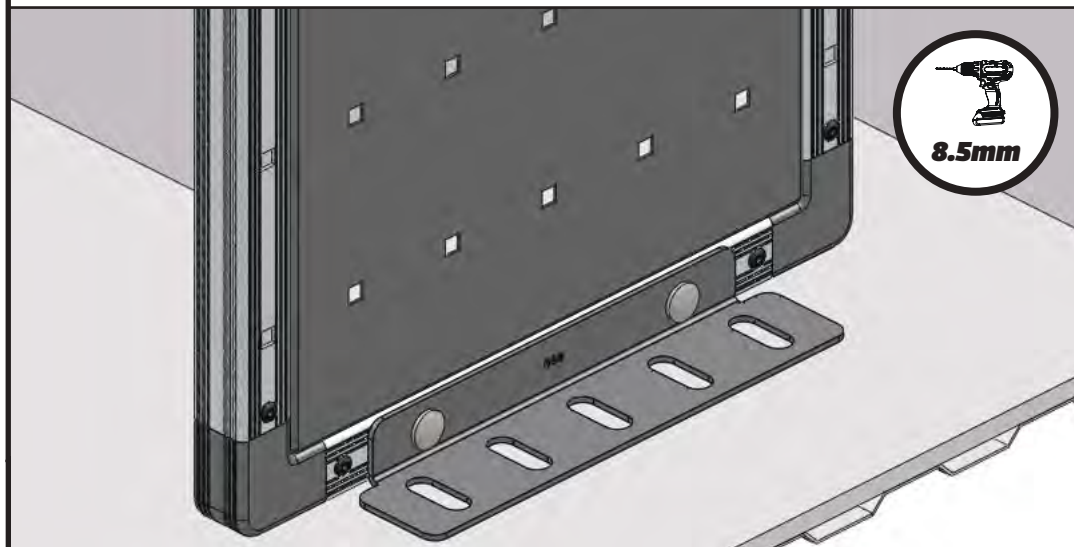
2.6

Measure from the side and rear of the vehicle and note down the positions of the floor brackets. Use the same measurements underneath the vehicle to check that the underside is clear of any obstructions so drilling can take place.



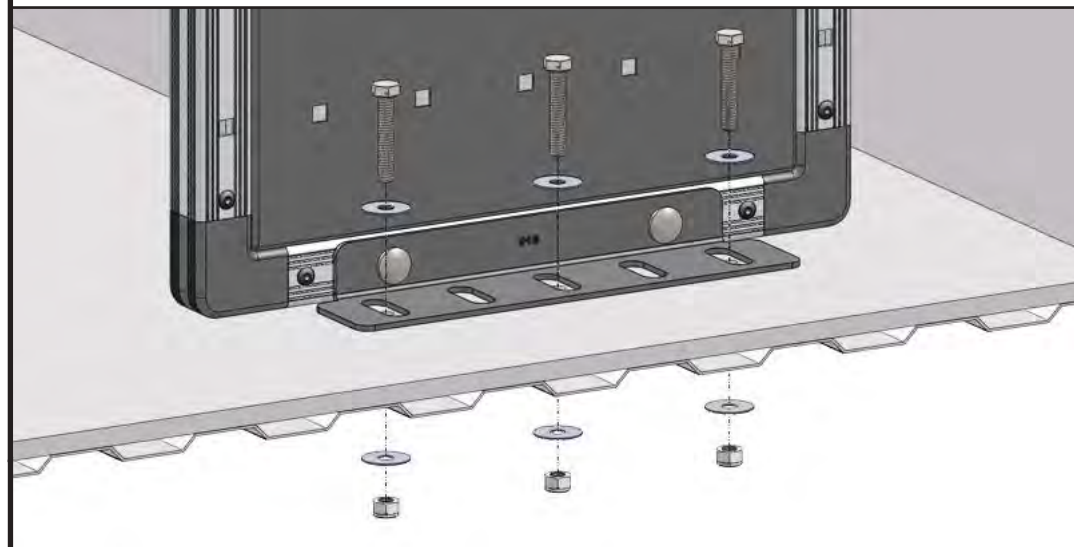
2.7

After ensuring the area under the floor bracket / vehicle floor is free from obstruction, mark the hole centres of the fixing slots. Move the unit to one side and drill $\text{Ø}8.5\text{mm}$ through the floor of the vehicle (three positions for each bracket).



2.8

Bolt down through the floor brackets using M8x50 hex bolts and M8 washers, secure underneath the vehicle using M8 washers and M8 nyloc nuts.





3.4



CAUTION



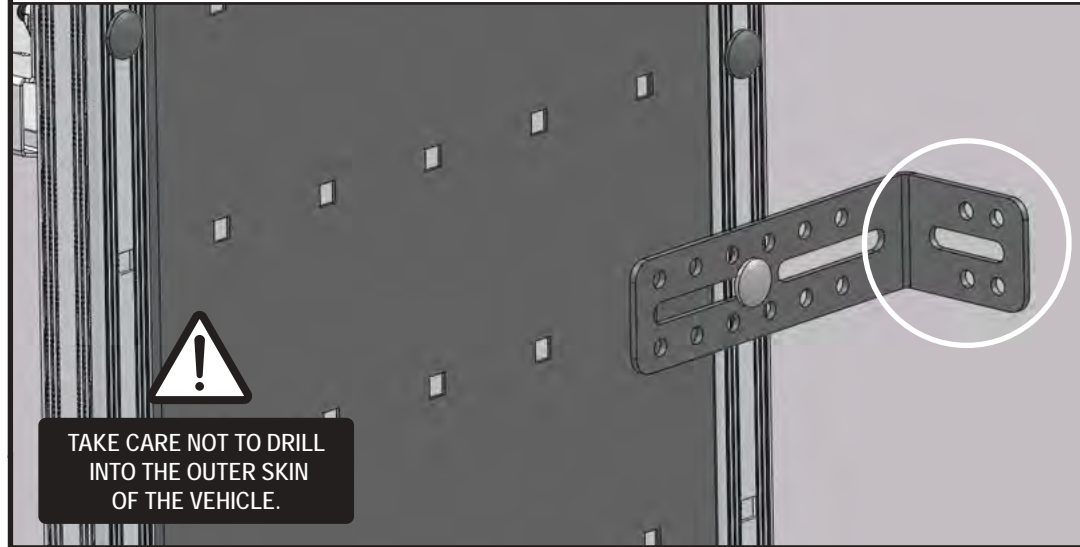
It is important that care is taken when drilling **and fixing to your vehicle.**

You should note that it is the responsibility of the installer/s to ensure that when drilling holes in to your vehicle to take fixings, care must be taken to ensure that the fuel line, tyres, fuel tank, wiring loom, exhaust, bodywork and brake lines etc. are not damaged.

If in doubt refer to the vehicle manufacturer's dealership.

3.5

Check the positions behind the fixing brackets are free from obstruction (wiring looms / electrical wires etc.). Once checked carefully drill through the fixing bracket holes using a suitable drill bit for the fixing.



3.6

Secure the fixing brackets to the side of the vehicle using M6x14 hex bolts, M6 washers and M6 flange nuts.

