

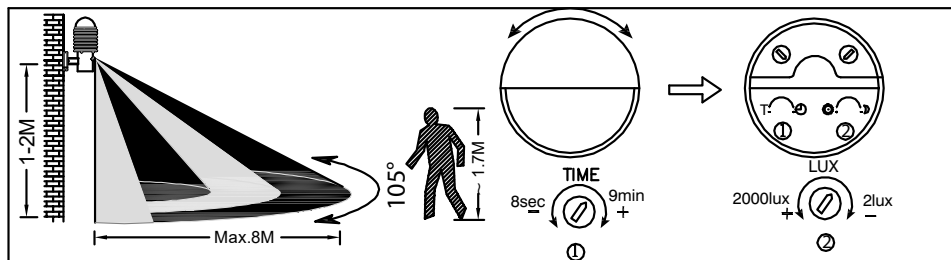
## PIR Adjustment

The unit must be installed in a vertical position, and fitted 1.2m above the ground. The PIR sensor can be adjusted using the SENS and TIME dials.

The detection angle is set at 105 degrees. The maximum detection distance is 9m.

The length of time that the light is on can be adjusted by turning the 'Time' dial, which can be altered between 8 seconds to 9 minutes duration. See (1) below.

Adjust the light level that the lamp switches on by adjusting the 'LUX' screw (2).



## Fitting/replacing bulbs

Fitting/Replacing the bulbs - 1 x MAX 60W E27 GLS or energy saving equivalent.

- Always allow the bulb to cool before touching. Fit the recommended bulbs. Do not exceed the recommended wattage or use a different shape of bulb as this may cause your light fitting to overheat.

## Cleaning

We recommend cleaning with a soft dry cloth.

Do not use solvents or abrasive cleaners as these could damage the finish.

Plastic parts – Wipe clean with a damp cloth. Do not use abrasive materials as these will damage the finish. Do not clean the units with a pressure washer.

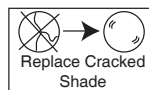
## Recycling advice



Waste electrical products should not be disposed of with household waste. Please recycle where facilities exist. Check with your Local Authority or retailer for recycling advice. The packaging on this product can also be recycled.

## Safety information

For your safety, always switch off the supply before changing lightbulbs, or cleaning. The glass shade must be replaced if it becomes cracked or damaged. Do not use product without glass shade attached.



### UK Manufacturer:

Kingfisher International Products Limited,  
3 Sheldon Square, London, W2 6PX,  
United Kingdom.

### EU Manufacturer:

Kingfisher International Products B.V.  
Rapunburgerstraat 175E,  
1011 VM Amsterdam, The Netherlands.

27/05/2021

## Instruction leaflet

# Shutter PIR Outdoor Wall Light

930PG



Thank you for purchasing this light fitting. Please read the instructions carefully before use to ensure safe and satisfactory operation of this product. Please retain these instructions for future reference.

## Warning

### This is a Class 1 product and must be earthed.

Please read these instructions carefully before commencing any work, and retain for reference. Install in accordance with IEE Wiring regulations and current Building Regulations.

To prevent electrocution switch off at mains supply before installing or maintaining this fitting. Ensure other persons cannot restore the electrical supply without your knowledge. If you are in any doubt, please consult a qualified electrician.

This light fitting should be connected to a circuit with a 30mA RCD fitted.

When changing a bulb, always switch off at the mains and allow the old bulb to cool before handling. Dispose of used bulbs carefully and responsibly.

Do not exceed the wattage stated or use a different shape bulb as indicated on the fitting. This product is not suitable for dimming.

Waste electrical products should not be disposed of with household waste. Please recycle where facilities exist. Check with your local authority or retailer for recycling advice.

This product is rated at IP44. It is not suitable for location in or near a marine or sea environment.

## Specification

Voltage: 240V 50Hz  
Lamp: Max. 1 x 60W E27 GLS

IP rating: 44

## Fixing Instructions

Make sure you have the following items which are required to install this light fitting:

- Selection of cross and flat head screwdrivers.

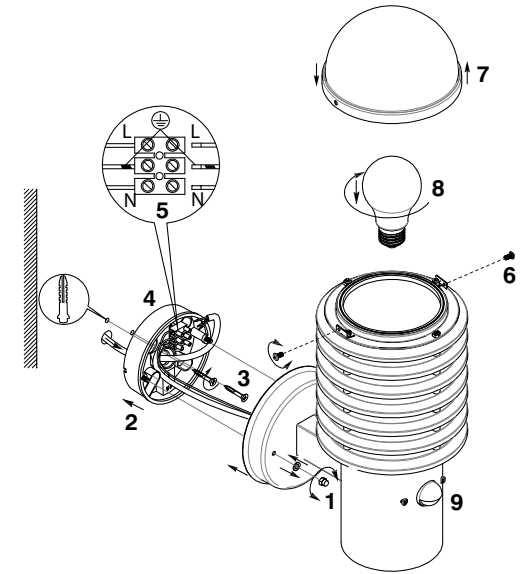
- Electric drill and assorted drill bits.
- Wire strippers.
- Insulation tape.

## Layout

- Decide on the position of the light fitting, or remove existing light fitting. Note the position of the electrical connections. Ensure there is a solid mounting surface, preferably a brick wall, to support the weight of the light fitting.

## Installation

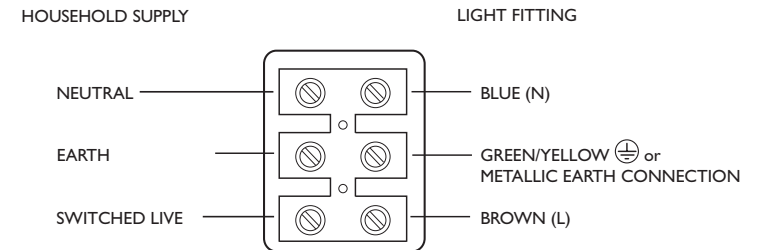
- Remove the back box (4) by undoing the finials (1) from the threaded bolts.
- Use the back box as a template and mark and make the holes, making sure the back plate is correctly aligned so that the threaded bolts are horizontal.
- Bring the mains cable through the rubber grommet, then use appropriate fixings (3) to secure the back box to the wall.
- Unscrew the cap (7) and retain the two side screws (6).
- Fit the bulb (8). **NOTE: Never fit bulbs of a higher wattage than those specified on the label as these may cause overheating and damage the fitting.** Refit the cap, ensuring the seal is tight. There are two indents to ensure the cap is aligned correctly.



## Wiring

Having correctly identified the wiring from your existing light fitting, pull the wire through the hole and connect

to the connection block (5) inside the product in the following way:



### Check that...

- You have correctly identified the house wires.
- The connections are tight.
- The cable entry grommet is securely in place to ensure that the water ingress protection is maintained.
- The Terminal Block is wrapped and wiring is overlapped both sides with 2 layers of insulation tape.

## Commissioning

- Refit the lamp over the 2 threaded bolts in the back plate and secure with the rubber washer and finials (1). Take care not to trap or strain the internal cables.
- Turn on the power and test. The PIR sensor settings (9) can be altered by turning the dials under the fitting marked 'SENS' and 'TIME'.