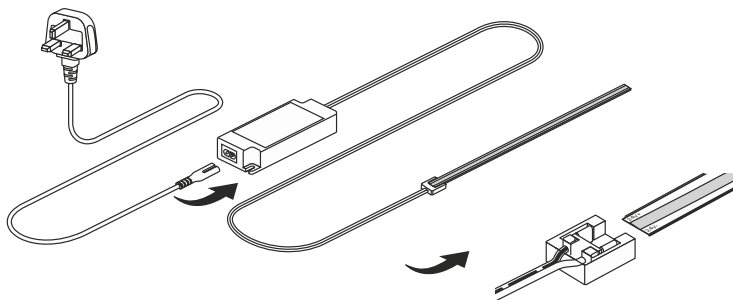


Commissioning

- Plug in and test.
- Peel the adhesive backing off of the strips and stick in place.

- Your strip is now ready for use.

Fig. 4



Recycling advice



Waste electrical products should not be disposed of with household waste. Please recycle where facilities exist. Check with your Local Authority or retailer for recycling advice. The packaging on this product can also be recycled.

Safety information

For your safety, always switch off the supply before changing adjusting or cleaning.

UK Manufacturer:

Kingfisher International Products Limited,
3 Sheldon Square, London, W2 6PX,
United Kingdom.

EU Manufacturer:

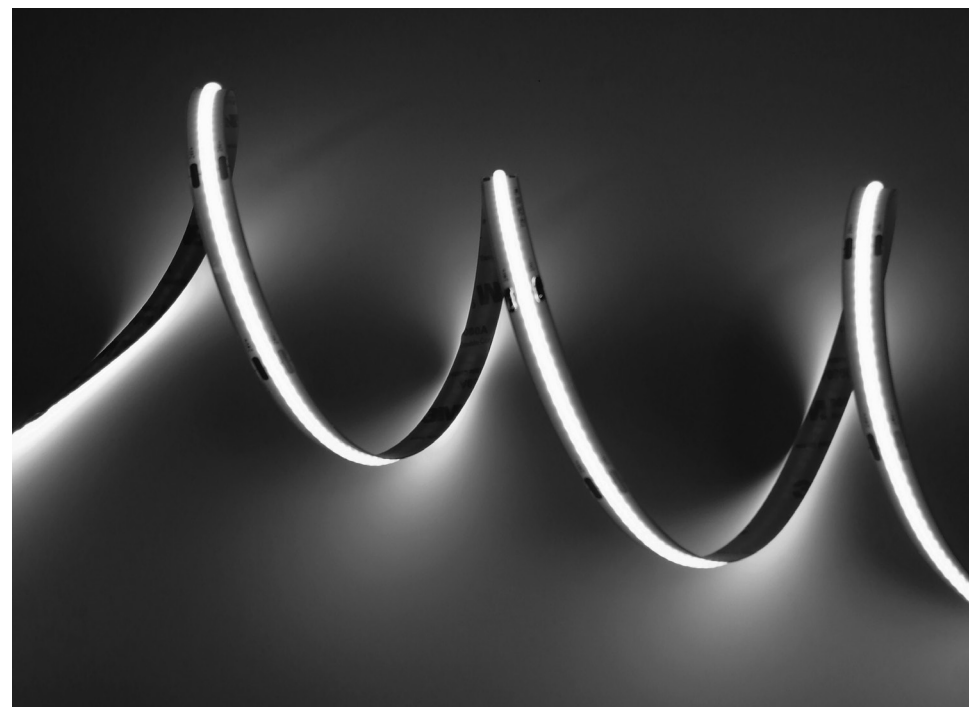
Kingfisher International Products B.V.
Rapenburgerstraat 175E,
1011 VM Amsterdam, The Netherlands.

28/11/2023

Instruction leaflet

Dotless LED 5 Mtr Tape Kit

775PG, 989PG



Thank you for purchasing this light fitting. Please read the instructions carefully before use to ensure safe and satisfactory operation of this product. Please retain these instructions for future reference.

Warning

 **This product is Double Insulated and does not require connection to an Earth circuit.**

The LED strips are Safety Extra Low Voltage and must not be earthed.

Please read these instructions carefully before commencing any work.

This unit must be fitted by a competent and qualified electrician.

Install in accordance with IEE Wiring regulations and current Building Regulations.

This system operates at Safety Extra Low Voltage (24V), via a LED driver. Never connect the light fittings directly to the mains without using the supplied LED driver.

Do not exceed the LED driver load. LED drivers may require a minimum load to operate.

Always disconnect the LED driver from the mains when installing or maintaining this system.

This system contains non-replaceable parts and cannot be serviced. If damage occurs the part should be scrapped.

This product cannot be dimmed.

This product is rated at IP20 and must be situated indoors.

Waste electrical products should not be disposed of with household waste. Please recycle where facilities exist. Check with your local authority or retailer for recycling advice.

Specification

Dimensions: 10mm wide, 1.6mm high, 5m long
Voltage: 240-240V~50/60Hz
Wattage: 22W

Lumens: 775PG 1700 lm, 989PG 1800 lm
IP rating: 20

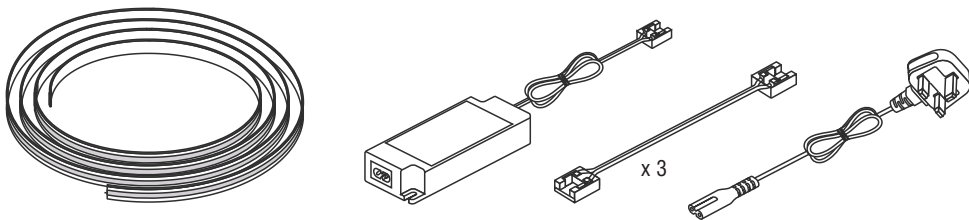


Non-replaceable light source

Kit Contents

This kit contains:

- 1 x in-line LED driver with 1.5m Output cable, UK 3 Pin Plug with 0.5m mains cable.
- 1 x 5000mm strip with SMD 2128 LEDs.
- 3 x connection/corner cable



Layout

- This is a self contained kit and cannot be extended.
- The LEDs are mounted on an adhesive tape which can be stuck to most surfaces.
- The LED strip can be shortened to a minimum of 100mm.
- Avoid locating any cables in positions that would cause a hazard.
- Position cables and LEDs away from areas where they may be at risk from being cut, trapped or damaged.
- This product has no special protection against the ingress of moisture.

Basic Installation

- Position the plug and in-line LED driver next to the indoor mains outlet socket that the system will connect to. Do not plug-in at this stage.
- After deciding the layout of the LED strip, ensure that the cable is not snagged when in the desired position.
- It is possible for the LED strip to be shortened. This can be done to a minimum of 100mm. Look for the line on the strip with four copper pads with scissors symbol, as shown below in Fig. 1.
- Cut using a sharp pair of scissors. Do not cut anywhere else on the strip as this may cause the LED strip to stop working.
- To connect the connection/corner cable, ensure the polarity is correct; '+' to the black cable Fig. 2. Push strip firmly into connector ensuring copper pads contact metal tabs. Push metal tabs down to lock.

Fig. 1

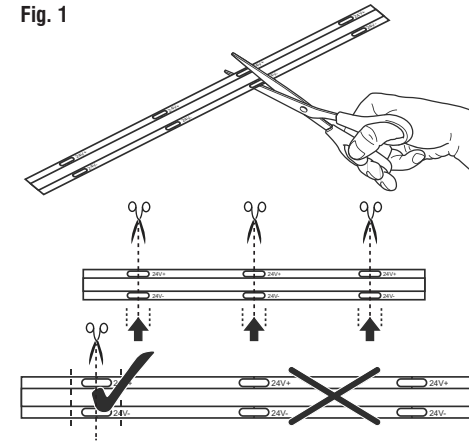


Fig. 3

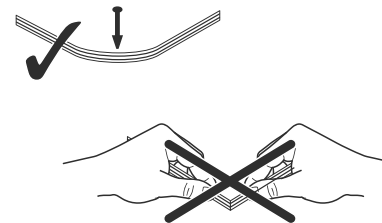


Fig. 2

