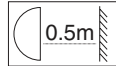


## Fitting/replacing bulbs: Recommended 5W LED GU10

This fitting has been designed to use energy efficient LED bulbs, however Max. 35W Halogen bulbs can be used. Ensure that the minimum distance to the illuminated surface is not less than 0.5m (50 cm).



When changing a bulb, always switch off at the mains and allow the bulb to cool before handling. Dispose of used bulbs carefully. Do not exceed the wattage stated or use a different shape bulb from that indicated on the fitting. Use of the incorrect bulb will damage the product and invalidate the guarantee.

## Care and cleaning: 7323R & 4859R

We recommend cleaning with a soft dry cloth. Do not use solvents or abrasive cleaners as these could damage the finish.

## Care and cleaning: 9317R & 2820R

In normal circumstances, stainless steel is very resistant to corrosion. It does however require maintenance to preserve the high quality appearance. Wash the product with warm soapy water, removing all surface deposits. Rinse with clear water and with a soft cloth, wipe dry. In some cases, surface corrosion may arise after installation. This is normally caused by tiny iron particles left behind after the brushing process when finishing. Wash and dry as detailed above. Then with a soft cloth soaked with a protective oil, wipe all over.

However if the product is subject to extreme environmental conditions such as marine locations, industrial pollution and acid rain these maintenance procedures should be carried out around four times a year. For severe corrosion, non-abrasive cream cleaners or proprietary stainless steel cleaners should be used to remove the corrosion. Wash and dry as detailed above. Then with a soft cloth soaked with a protective oil, wipe all over.

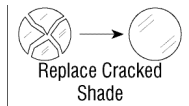
## Recycling advice



Waste electrical products should not be disposed of with household waste. Please recycle where facilities exist. Check with your Local Authority or retailer for recycling advice.

## Safety information

For your safety, always switch off the supply before changing lightbulbs, or cleaning.



The bulb is protected by a shade. This part must be replaced immediately should the shade become cracked or damaged. This fitting must not be used without the shade in place.

## Batch date

The batch date is shown on the product in the format yyWxx. The first two numbers represent the year of production and the last two numbers after the 'W' represent the week of production within that particular year.

# Bronx Down Wall Light

9317R, 2820R, 7323R, 4859R



CE

V21220 BX220IM

**Manufacturer:**  
**UK Manufacturer:**  
Kingfisher International Products Limited,  
3 Sheldon Square, London, W2 6PX,  
United Kingdom

**EU Manufacturer:**  
Kingfisher International Products B.V.  
Rapenburgstraat 175E,  
1011 VM Amsterdam, The Netherlands  
[www.kingfisher.com/products](http://www.kingfisher.com/products)

[www.diy.com](http://www.diy.com) | [www.screwfix.com](http://www.screwfix.com) | [www.screwfix.ie](http://www.screwfix.ie)

To view instruction manuals online, visit [www.kingfisher.com/products](http://www.kingfisher.com/products)

Thank you for purchasing this light fitting. Please read the instructions carefully before use to ensure safe and satisfactory operation of this product. Please retain these instructions for future reference.

## Warning

**This is a Class 1 product and must be earthed.**

Please read these instructions carefully before commencing any work.

This unit must be fitted by a competent and qualified electrician.

Install in accordance with IEE Wiring regulations and current Building Regulations.

To prevent electrocution switch off at mains supply before installing or maintaining this fitting. Ensure other persons cannot restore the electrical supply without your knowledge. If you are in any doubt, please consult a qualified electrician.

This light fitting should be connected to a circuit with a 30mA RCD fitted.

If replacing an existing fitting, make a careful note of the connections.

Waste electrical products should not be disposed of with household waste. Please recycle where facilities exist.

Check with your local authority or retailer for recycling advice.

This product is rated at IP44.

This product is not suitable for location in or near a marine environment.

The entire unit gets hot whilst on for a period of time, ensure the fitting is mounted out of arms reach.

## Specification

Voltage: 240V 50Hz a.c.

Lamp: 1 x MAX 35W GU10 Halogen. (Recommended 5W LED GU10)

IP rating: 44

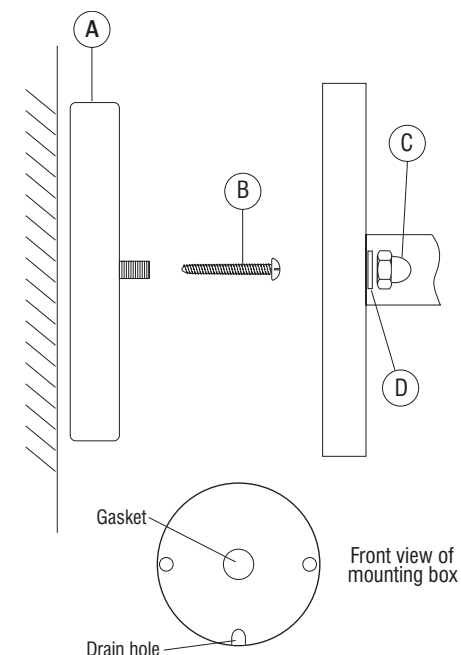
## Layout

- Plan the desired layout of this fitting carefully, ensuring the cables will reach the distance between the junction box and the light fitting.
- Avoid locating any cables in positions that would cause a hazard. Position cables and outdoor rated junction boxes (not supplied) away from areas where they may be at risk from being cut, trapped or damaged.
- We recommend that you use H05RN-F specification cable (not supplied) which is an outdoor grade, rubber sheathed cable.
- The mains supply cable must have a minimum cross sectional area of 1.0mm<sup>2</sup>
- Cables must be protected using suitable conduit or plastic trunking.

## Installation

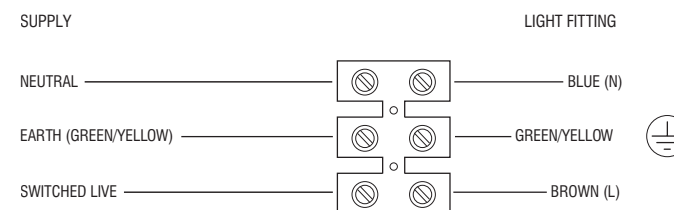
Existing fittings must be completely removed before installation of a new product. Before removing the existing fitting, **carefully note the position of each set of wires.**

- Remove mounting box (A) from product by removing dome nuts (C) and washers (D). Pull terminal block off of retaining pegs. Carefully pierce a small hole in the rubber gasket in the centre of the mounting box to allow the cable to pass through.
- Thread the cable through the hole, ensuring the drain hole is at the base of the mounting box.
- Fix the mounting box to the wall using the screws and wall plugs supplied (B). Ensure the wall is capable of holding the weight of the product. Take care to avoid damaging any concealed wiring and pipes. The correct fixings should be used for brick or cavity walls.
- Seal the screw fixings to maintain the IP rating of the fitting.



## Wiring

Having correctly identified the wiring from your existing light fitting, pull the wire through the hole and connect to the connection block inside the product in the following way:



## Check that...

- You have correctly identified the wires
- The connections are tight
- No loose strands have been left out of the connection block.

## Commissioning

- Ensure that the cable is not snagged and seal to maintain the IP rating of the product.
- Fit the product back on to the mounting box and refit washers (D) and dome nuts (C), tighten dome nuts to secure.
- Replace fuse or circuit breaker and switch on. Your light is now ready for use.