

Commissioning

- Ensure that the screws and cable entry points are sealed to maintain the IP rating of the product.
- Refit the shade and outer bezel and secure with the screws. Ensure the seals are correctly located.
- Replace fuse or circuit breaker and switch on. Your light is now ready for use.

Fitting/replacing bulbs

- Fitting/Replacing the bulbs - 1 x MAX 40W E27 GLS. Suitable for use with LED bulbs.
- Do not exceed specified wattage (marked on product) as this may cause the product to overheat. **Always switch off and allow product to cool before changing the bulb.**
- Unscrew the shade and remove.
- Remove the old bulb and replace with a bulb of the same type and wattage.
- Replace the shade making sure the seal is properly seated.

Cleaning

We recommend cleaning with a soft dry cloth.

Do not use solvents or abrasive cleaners as these could damage the finish.

Glass parts – Wipe clean with a damp cloth. Do not use abrasive materials as these will damage the finish.

Recycling advice



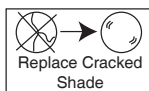
Waste electrical products should not be disposed of with household waste. Please recycle where facilities exist. Check with your Local Authority or retailer for recycling advice. The packaging on this product can also be recycled.

Safety information

For your safety, always switch off the supply before changing lightbulbs, or cleaning.

The glass shade must be replaced if it becomes cracked or damaged.

Do not use product without glass shade attached.



Instruction leaflet

Napoli Round Bulkhead Napoli Caged Bulkhead Outdoor Wall Light

108PG, 589PG



UK Manufacturer:

Kingfisher International Products Limited,
3 Sheldon Square, London, W2 6PX,
United Kingdom.

EU Manufacturer:

Kingfisher International Products B.V.
Rapenburgerstraat 175E,
1011 VM Amsterdam, The Netherlands.

24/05/2021



Thank you for purchasing this light fitting. Please read the instructions carefully before use to ensure safe and satisfactory operation of this product. Please retain these instructions for future reference.

Warning

This is a Class 1 product and must be earthed.

This product is only suitable for connection to a 240V~50Hz supply in accordance with current IEE wiring regulations. It should be installed in accordance with local building regulations.

This product is IP44 rated and is suitable for outdoor use.

Before installing your light fitting always switch off the mains supply and remove the appropriate fuse or switch off the appropriate circuit breaker before commencing installation.

This product contains glass so care must be taken when fitting or handling to prevent personal injury or damage to the product. If replacing an existing fitting, make a careful note of the connections.

This product is suitable for installation on surfaces with normal flammability e.g. wood, masonry. It is not suitable for use on highly flammable surfaces or in flammable atmospheres.

Never put anything on the product or hang anything on any part of this product.

Never fit bulbs of a higher wattage than those specified on the label, as these may cause overheating and damage the fitting. This product is dimmable when used with a dimmable bulb.

If you are in any doubt about your competence please consult a qualified electrician.

If any modification is made it will invalidate the warranty and may render the product unsafe.

Keep children and animals away from the assembly area.

This fitting contains small parts that could cause choking if swallowed.

Keep all plastic wrapping materials away from children to avoid danger of suffocation.

Ensure that all packaging is disposed of carefully and responsibly.

Specification

Voltage: 240V 50Hz
Lamp: Max. 1 x 40W E27 GLS

IP rating: 44

Fixing Instructions

Make sure you have the following items which are required to install this light fitting:

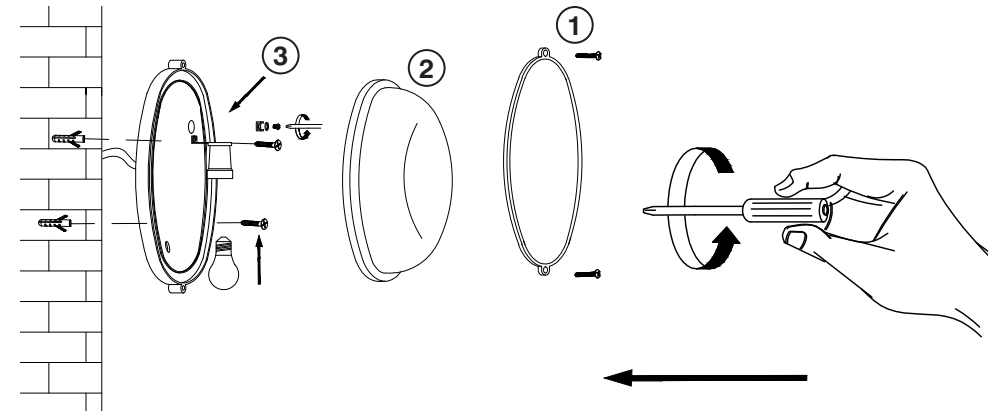
- Selection of cross and flat head screwdrivers.
- Electric drill and assorted drill bits.

- Wire strippers.
- Insulation tape.

Installation

Decide on the position of the light fitting, or remove existing light fitting. Note the position of the electrical connections. Ensure there is a solid mounting surface, preferably a brick wall, to support the weight of the light fitting.

- Remove the outer bezel (1) and shade (2) by removing the screws around the outside of the products. Keep screws safe for refitting later.
- Using the wall back as a template mark the position of the fixing holes and drill them.



Wiring

Having correctly identified the wiring from your existing light fitting, pull the wire through the hole. Add supplied sleeving to live and neutral cables and connect to the terminals inside the product in the following way:

Live and neutral cable to lampholder terminals and earth cable to earth screw.

Check that...

- You have correctly identified the house wires.
- The connections are tight.
- No loose strands have been left out of the connection block.
- Earth cable is securely attached to earth connection.

