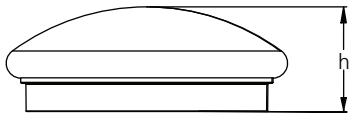
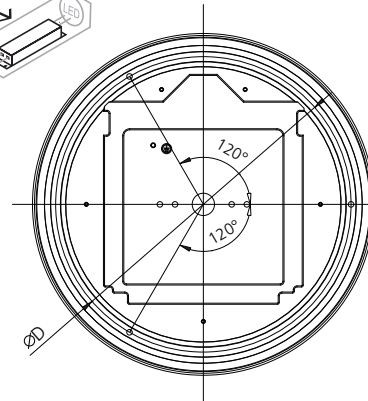
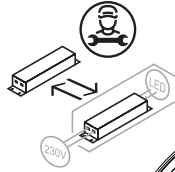


d = 330mm 18W  
d = 360mm 24W



h = 96mm 18W  
h = 100mm 24W



D = 265 mm 18W  
D = 265 mm 24W

