

PIR Adjustment

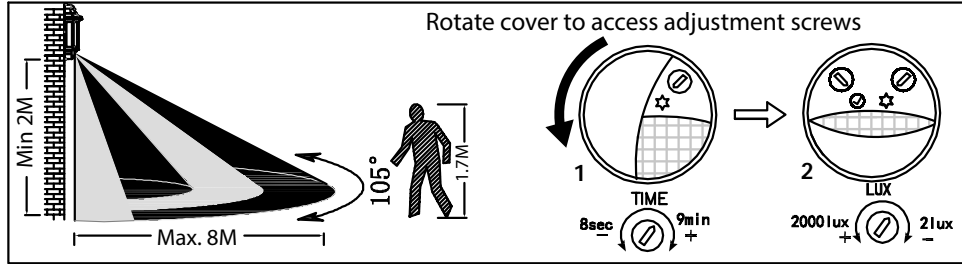
The unit must be installed in a vertical position, and fitted minimum 2m above the ground. The PIR sensor can be adjusted using the SENS and TIME dials.

The detection angle is set at 105 degrees. The maximum detection distance is fixed at 8m.

The adjustment screws are concealed under the sensor cover.

Twist the cover to reveal the screws. The length of time that the light is on can be adjusted by turning the 'Time' dial, which can be altered between 8 seconds to 9 minutes duration. See (1) below.

Adjust the light level that the lamp switches on by adjusting the 'LUX' screw (2).



Fitting/replacing bulbs

- Fitting/Replacing the bulbs - MAX 15W LED E27 GLS.
- When changing a bulb, always, switch off at the mains and allow the bulb to cool before handling. Dispose of used bulbs carefully. Do not exceed the wattage stated or use a different shape bulb from that indicated on the fitting.
- Do not exceed the wattage stated or use a different shape bulb from the indicated on the fitting.
- Unscrew the bulb anti clockwise to remove.
- Carefully locate the bulb in the lampholder and turn clockwise to secure.

Cleaning

We recommend cleaning with a soft dry cloth.

Do not use solvents or abrasive cleaners as these could damage the finish.

Glass parts – Wipe clean with a damp cloth. Do not use abrasive materials as these will damage the finish.

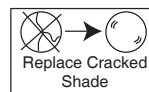
Recycling advice



Waste electrical products should not be disposed of with household waste. Please recycle where facilities exist. Check with your Local Authority or retailer for recycling advice. The packaging on this product can also be recycled.

Safety information

For your safety, always switch off the supply before changing lightbulbs, or cleaning. The glass shade must be replaced if it becomes cracked or damaged. Do not use product without glass shade attached.



UK Manufacturer:

Kingfisher International Products Limited,
3 Sheldon Square, London, W2 6PX,
United Kingdom.

EU Manufacturer:

Kingfisher International Products B.V.
Rapunburgerstraat 175E,
1011 VM Amsterdam, The Netherlands.

26/05/2022

Instruction leaflet

Half Lantern PIR Outdoor Wall Light

172PG, 430PG



Thank you for purchasing this light fitting. Please read the instructions carefully before use to ensure safe and satisfactory operation of this product. Please retain these instructions for future reference.

Warning



This product is Double Insulated and does not require connection to an Earth circuit.

Please read these instructions carefully before commencing any work.

This unit must be fitted by a competent and qualified electrician.

Install in accordance with IEE Wiring regulations and current Building Regulations.

To prevent electrocution switch off at mains supply before installing or maintaining this fitting. Ensure other persons cannot restore the electrical supply without your knowledge. If you are in any doubt, please consult a qualified electrician.

This light fitting should be connected to a fused circuit.

If replacing an existing fitting, make a careful note of the connections.

Always use the correct type and wattage bulb. Never exceed the wattage stated.

When changing a bulb, always switch off at the mains and allow the old bulb to cool down before handling. Dispose of used bulbs carefully and responsibly.

Waste electrical products should not be disposed of with household waste. Please recycle where facilities exist. Check with your local authority or retailer for recycling advice.

This product is rated at IP44.

The entire unit gets hot whilst on for a period of time.

Specification

Voltage: 240V 50Hz

IP rating: 44

Lamp: Max. 1 x 15W LED E27 GLS

This product is constructed from anti-corrosive Polycarbonate plastic. Please note the product may appear flexible, this is due to the polycarbonate material used and once fully installed on the wall, the lantern will be rigid and robust.

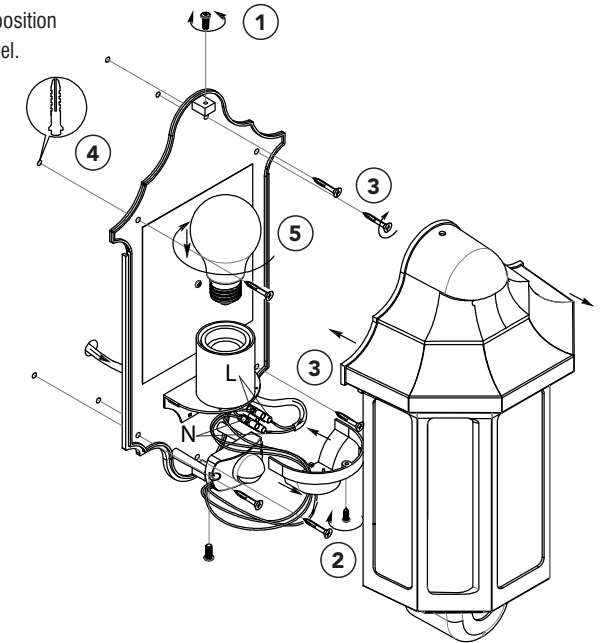
Layout

- Plan the desired layout of this fitting carefully, ensuring the cables will reach the distance between the junction box and the light fitting.
- Avoid locating any cables in positions that would cause a hazard. Position cables and junction boxes (not supplied) away from areas where they may be at risk from being cut, trapped or damaged.
- Cables in walls must be protected using suitable conduit or plastic trunking.
- The mains supply cable must have a minimum cross sectional area of 1.0mm².
- This product has special protection against the ingress of moisture and is IP44 rated.

Installation

Existing fittings must be completely removed before installation of a new product. Before removing the existing fitting, **carefully note the position of each set of wires.**

- Undo the screws (1) at the top and base of the lantern and remove the cover. Set them aside for refitting later.
- Undo the screw (2) from the plastic cover under the lampholder to access the terminal block. (it may be necessary to move the sensor unit out of the way by removing one of the securing screws).
- Hold the rear plate in place and mark the position of the holes. Ensure that the product is level. Ensure the wall is capable of holding the weight of the product. Take care to avoid damaging any concealed wiring and pipes. The correct fixings should be used for brick, cavity walls or plasterboard.
- Pull supply wires through rubber grommet on wall back then fix the wall back to the wall using screws (3) and plugs (4).
- Wire as detailed below.
- Refit the plastic cover over the terminal block and secure in place using the screw. Re secure PIR sensor.

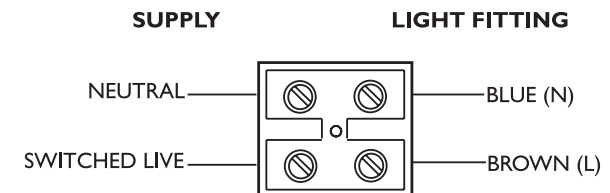


- Fit the bulb (5) (**Never fit bulbs of a higher wattage than those specified on the label as these may cause over heating and damage the fitting**).
- Refit the screws to fit the lantern cover in place.
- Replace fuse or circuit breaker and switch on. Your light is now ready for use.

Wiring

Having correctly identified the wiring from your existing light fitting, pull the wire through the hole and connect

to the connection block inside the product in the following way:



Check that...

- You have correctly identified the house wires.
- The connections are tight.
- No loose strands have been left out of the connection block.