

Milwaukee[®]

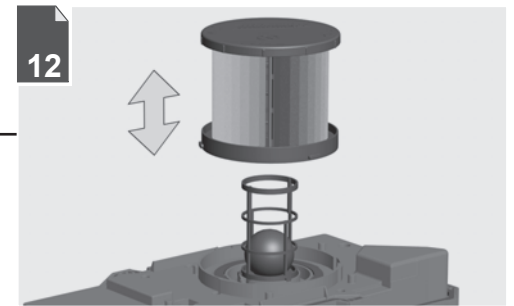
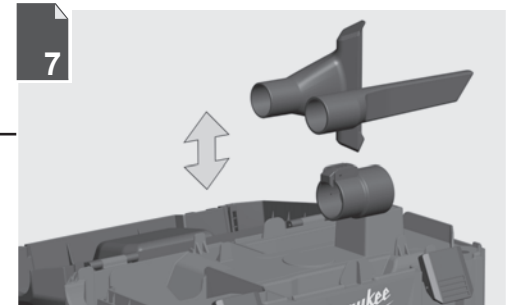
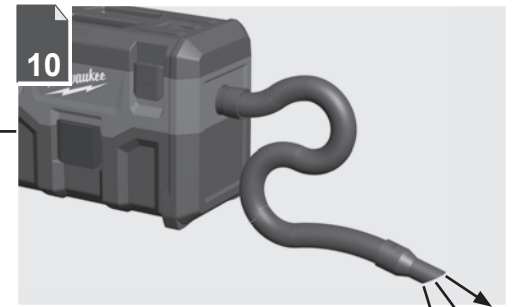
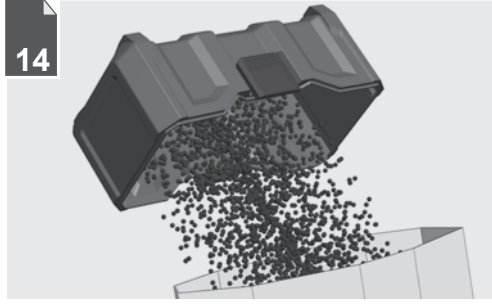
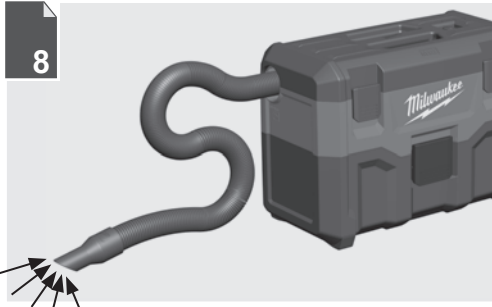
Nothing but **HEAVY DUTY**.[®]

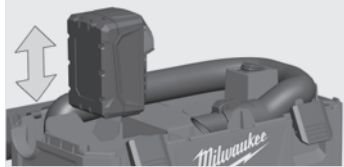



M18 VC-2

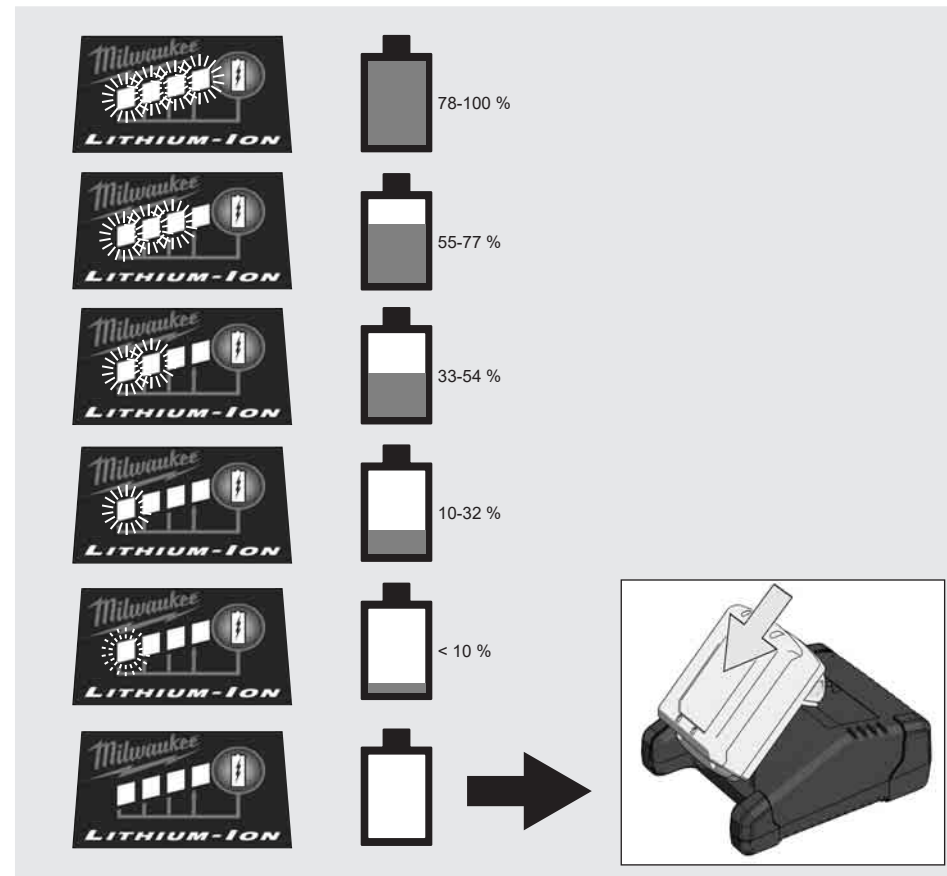
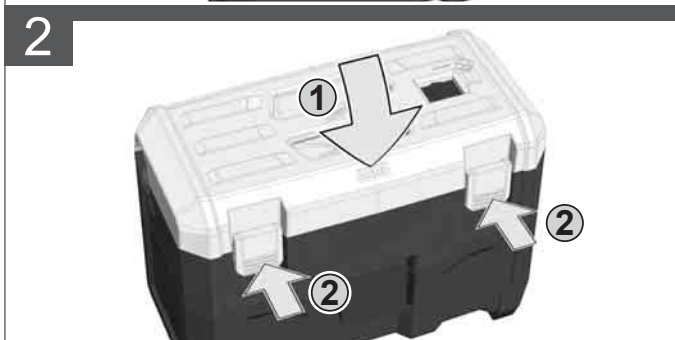
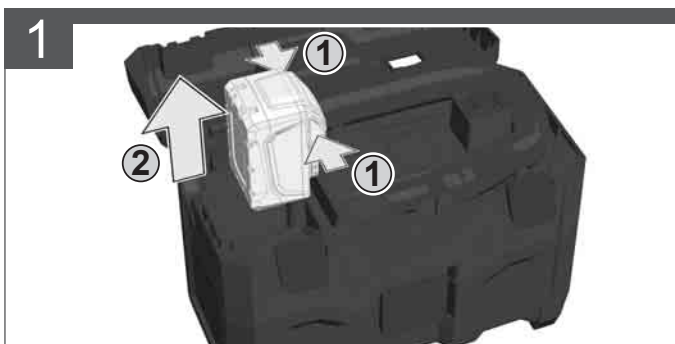
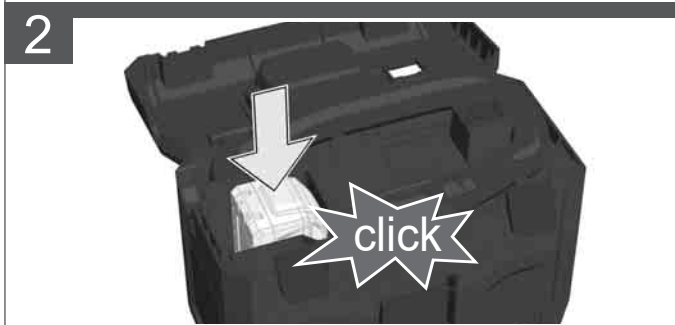
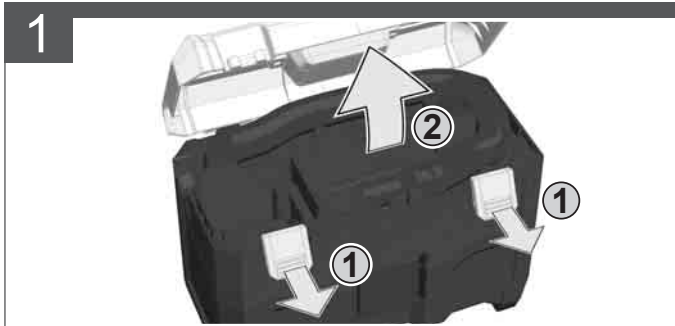


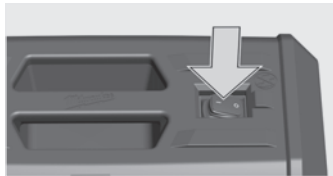
Original instructions



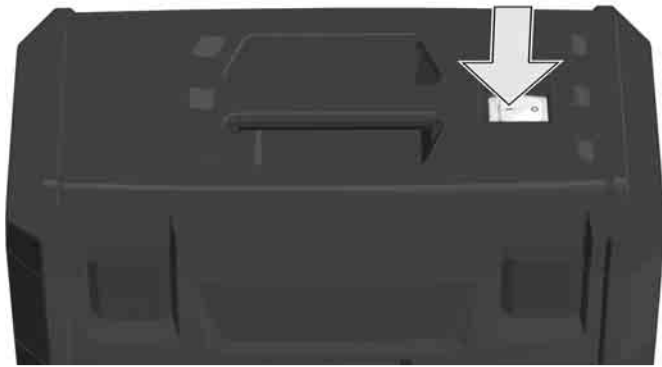


 Remove the battery pack before starting any work on the machine.

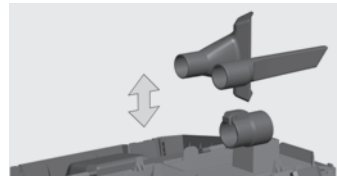




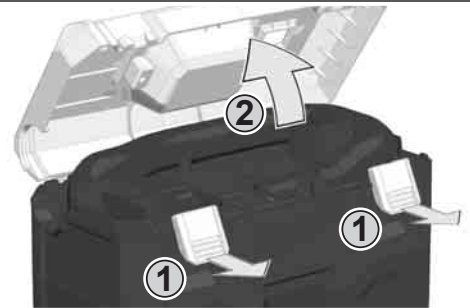
START



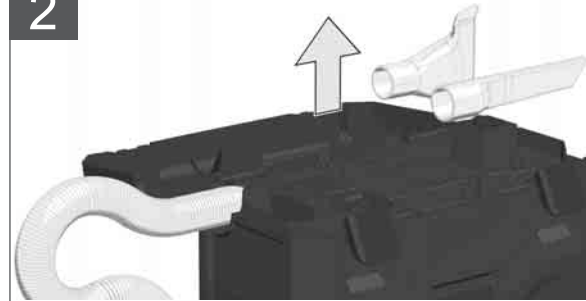
STOP



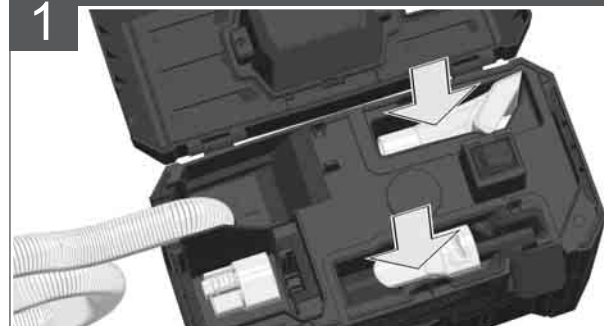
1



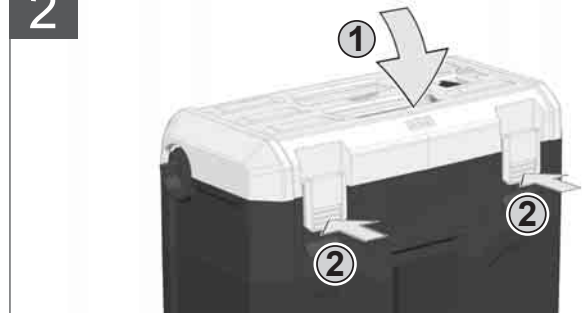
2

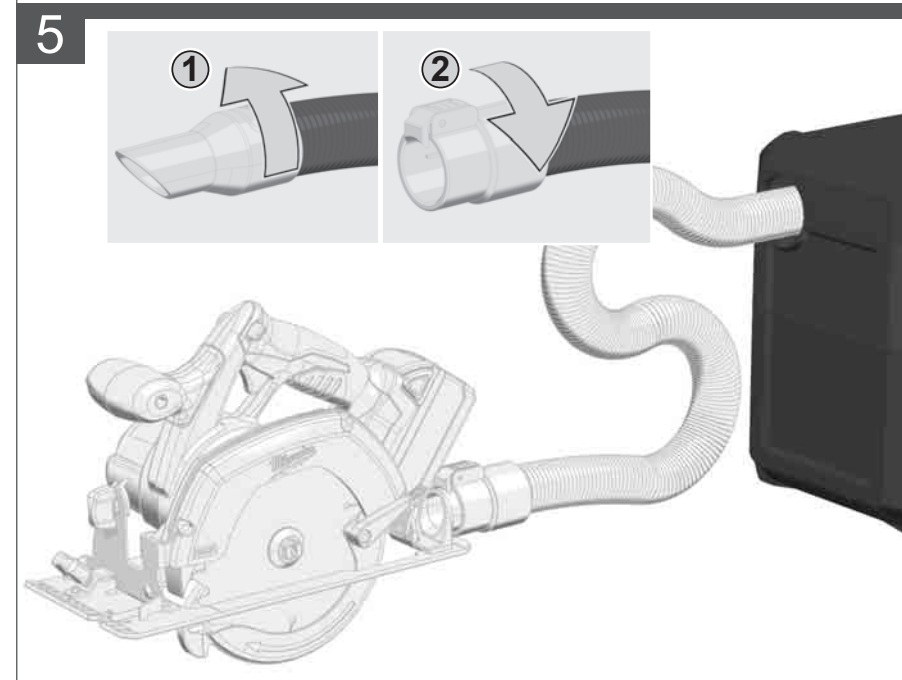
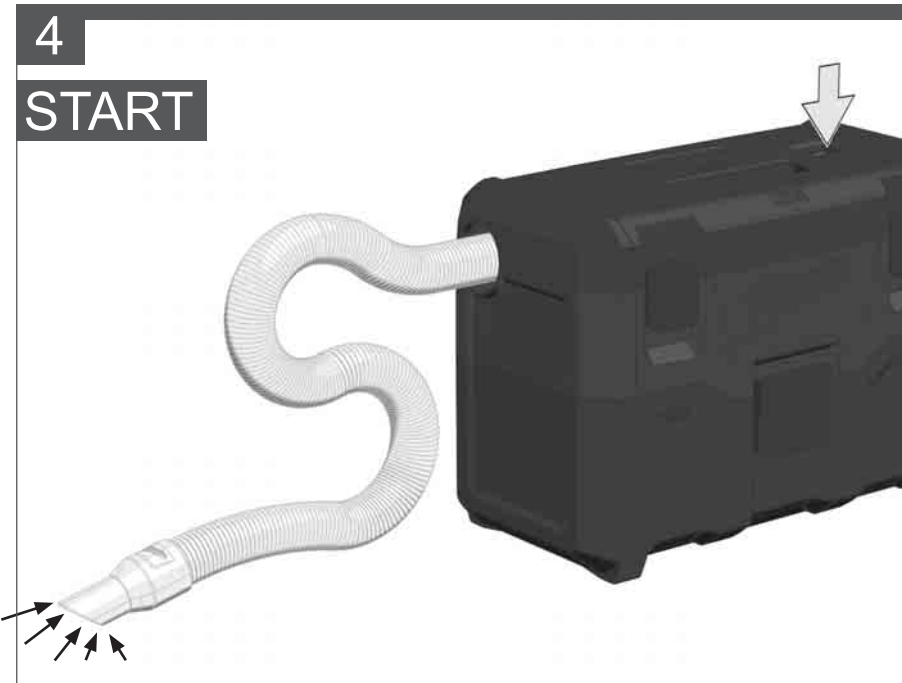
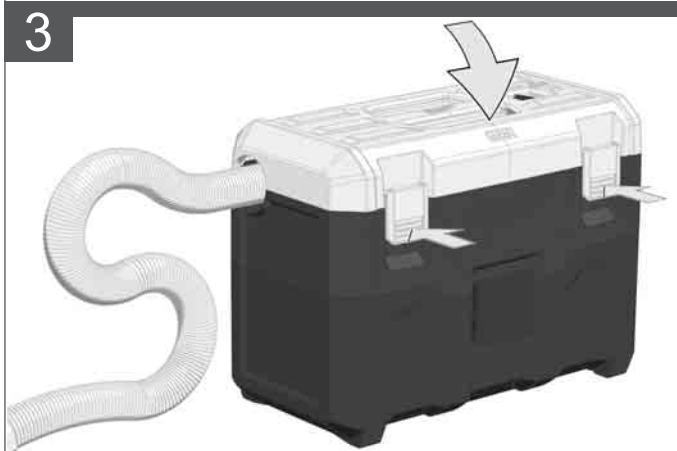
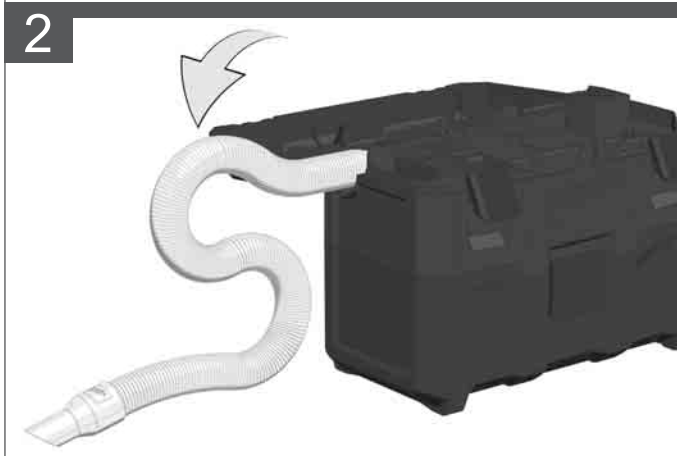
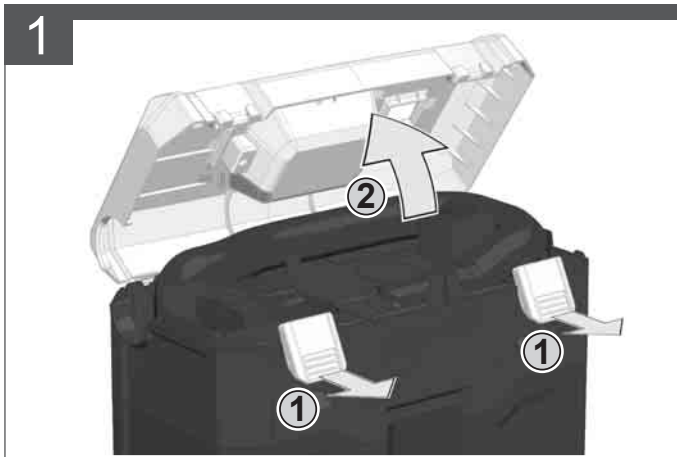
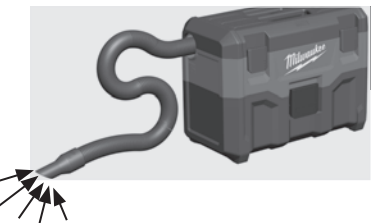


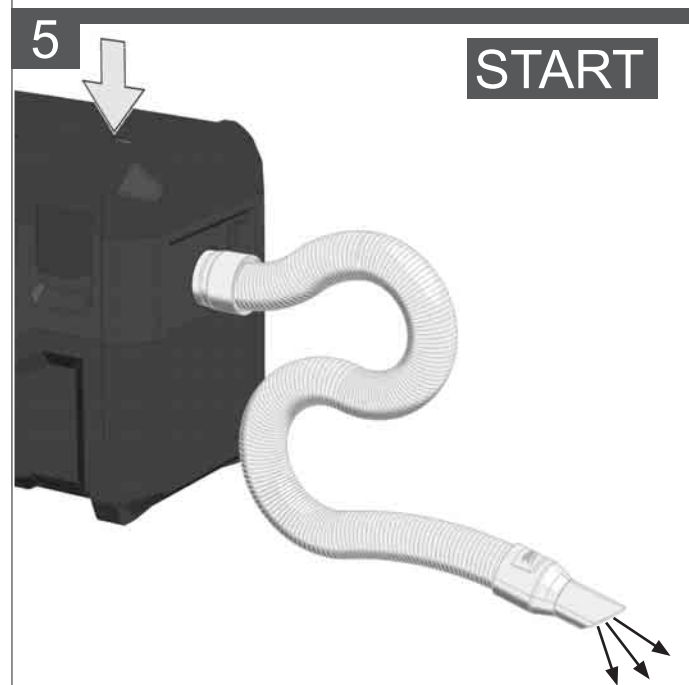
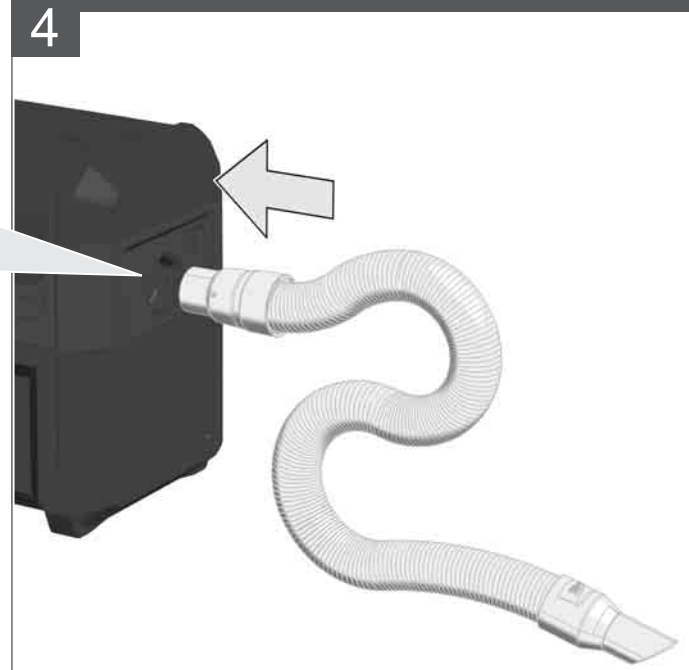
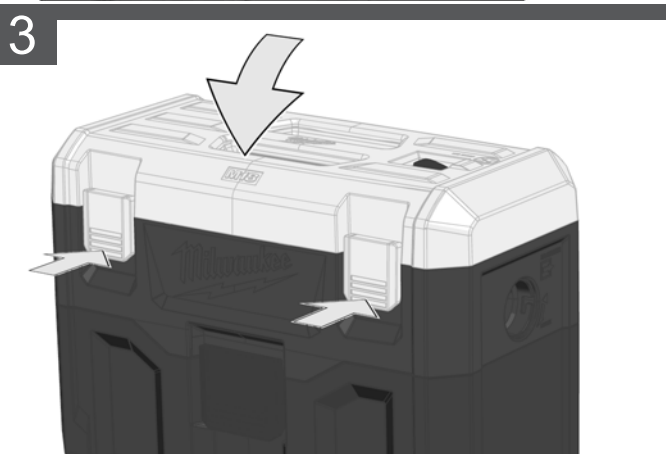
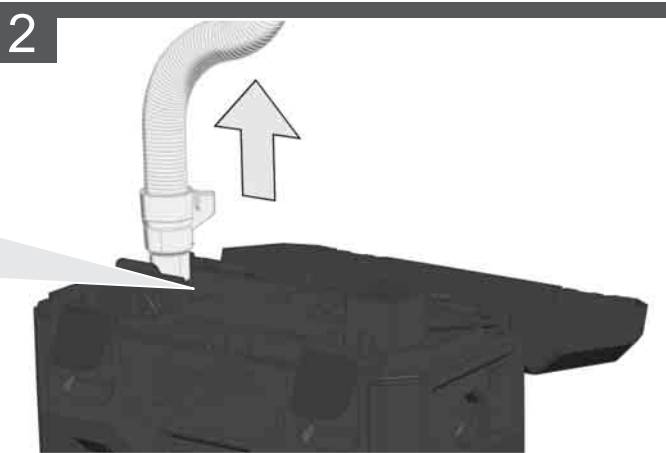
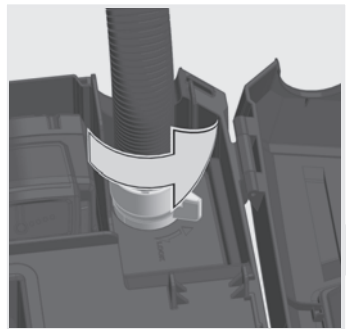
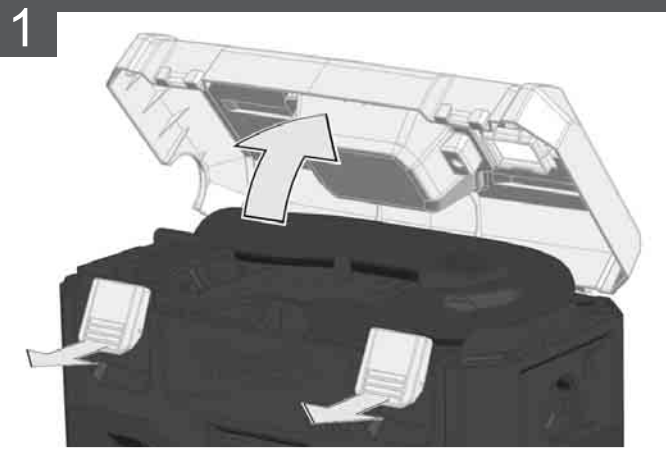
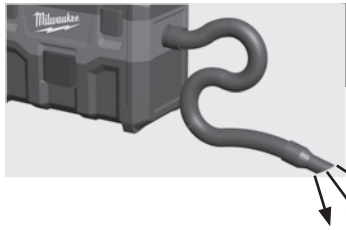
1

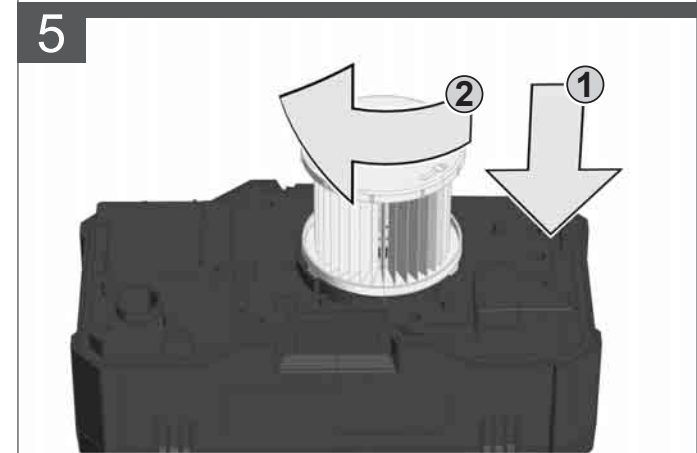
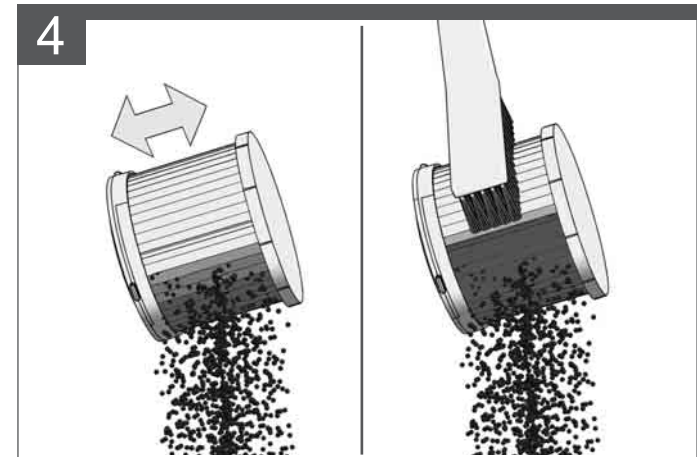
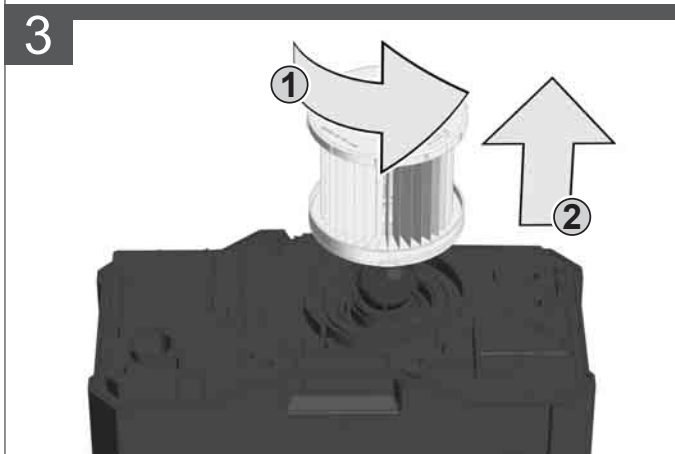
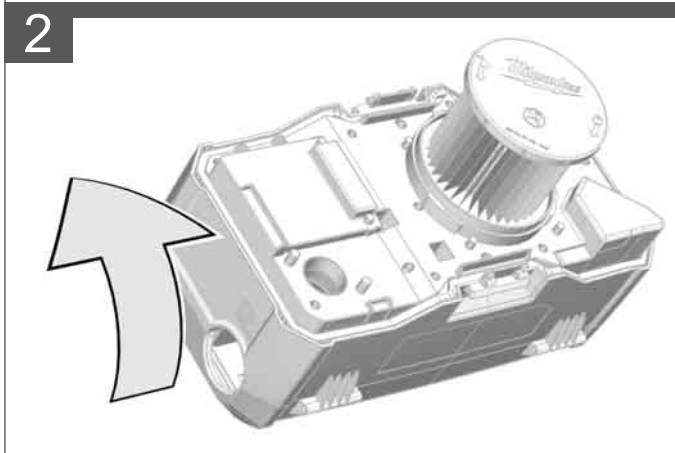
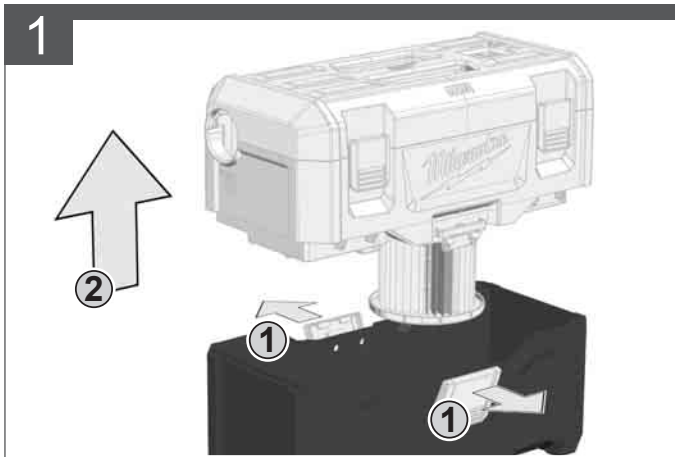
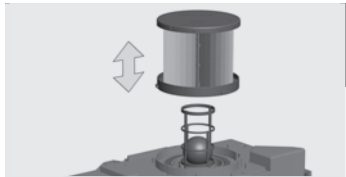


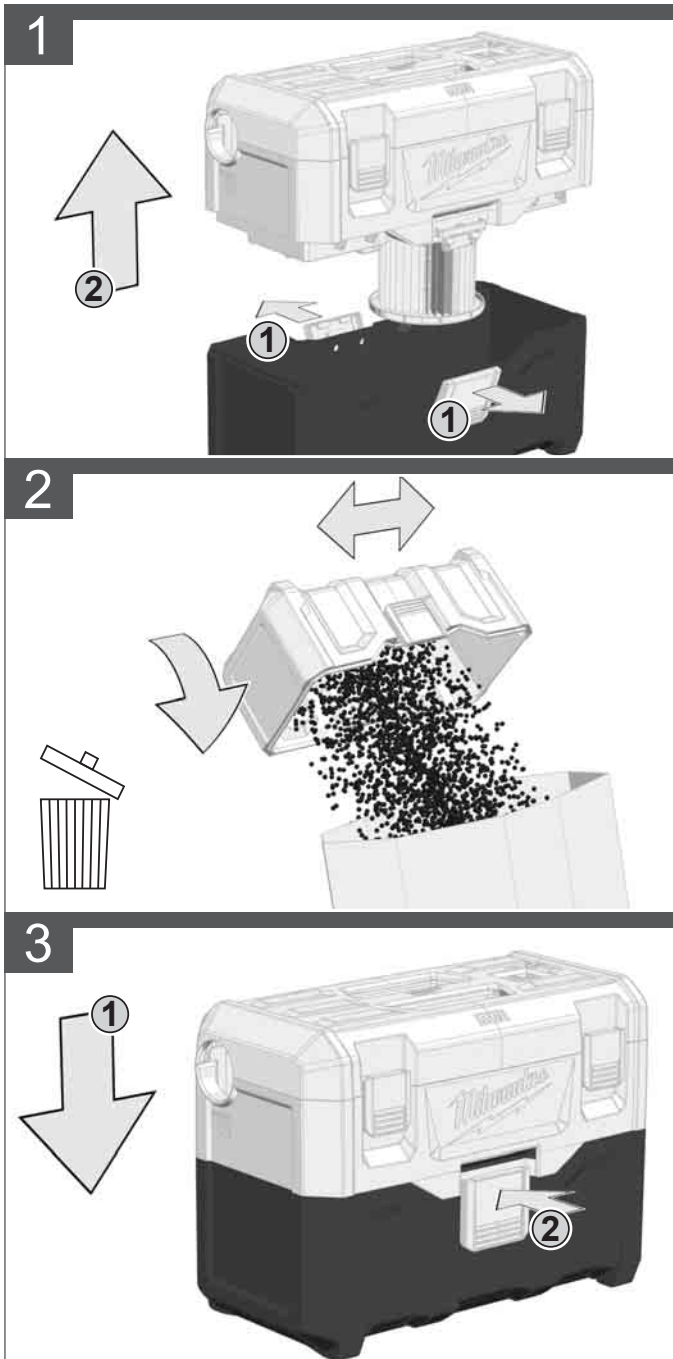
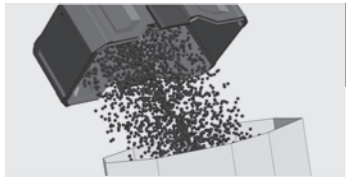
2











| TECHNICAL DATA | CORDLESS VACUUM CLEANER | M18 VC-2 |
|--|--------------------------------------|-----------------|
| Production code..... | 4603 30 01... | ...00001-999999 |
| Rate of air flow..... | 1300 l/min | |
| Vacuum..... | 80 mbar | |
| Capacity..... | 7.5 l | |
| Filter surface / Hepa filter type..... | H13 | |
| Suction hose diameter..... | 41 mm | |
| Suction hose..... | 475 mm | |
| Battery voltage..... | 18 V | |
| Height/width/length..... | 31/21/43 cm | |
| Weight according EPTA-Procedure 01/2014..... | 4.59 kg | |
| Weight according EPTA-Procedure 01/2014 (with battery 5.0 Ah)..... | 5.33 kg | |
| Protection class..... | IP54 | |
| Recommended ambient operating temperature..... | -18...+50 °C | |
| Recommended battery types..... | M18B2, M18B4, M18B5, M18B6, M18B9 | |
| Recommended charger..... | M12-18C, M12-18AC, M12-18FC, M1418C6 | |

⚠ WARNING Read all safety warnings, instructions, illustrations and specifications provided with this power tool. Failure to follow all instructions listed below may result in electric shock, fire and/or serious injury. Save all warnings and instructions for future reference.

⚠ SAFETY INSTRUCTIONS

Never suck up into the machine any inflammable or explosive solvents, or liquids like petrol, oil, alcohol, thinners, or small particles (such as metal filings or ash) that may be hotter than 60°C - otherwise there is danger of explosion or fire!

You are not allowed to use the appliance in the vicinity of inflammable gases or substances.

Do not put appliances or accessories into operation, if the appliance has recognizable damage (cracks/breaks), the mains connection lead is defective or shows signs of cracking or aging, there is a suspected non-visible defect (after having been dropped).

Do not point the nozzle, hose or tube at people or animals.

If any foam or water egresses, switch off immediately. Empty the container and, if need be, the pleated filter.

Acids, acetone and solvents can corrode the appliance components.

In the event of misuse, improper operation or unprofessional repair work no liability shall be assumed by us for any damage incurred.

Do not use suction on health damaging dusts.

Not suitable for sweeping up liquids which form a large foam.

Remove the battery pack before starting any work on the machine.

Do not dispose of used battery packs in the household refuse or by burning them. Milwaukee Distributors offer to retrieve old batteries to protect our environment.

Do not store the battery pack together with metal objects (short circuit risk).

Use only System M18 chargers for charging System M18 battery packs. Do not use battery packs from other systems.

Battery acid may leak from damaged batteries under extreme load or extreme temperatures. In case of contact with battery acid wash it off immediately with soap and water. In case of eye contact rinse thoroughly for at least 10 minutes and immediately seek medical attention.

Warning! To reduce the risk of fire, personal injury, and product damage due to a short circuit, never immerse your tool, battery pack or charger in fluid or allow a fluid to flow inside them. Corrosive or conductive fluids, such as seawater, certain industrial chemicals, and bleach or bleach containing products, etc., can cause a short circuit.

This appliance is not intended to be used or cleaned by persons with reduced physical, sensory or mental capabilities, or lack of experience or knowledge, unless they have been given instructions concerning the safe use of the appliance by a person legally responsible for their safety. They should be supervised whilst using the appliance. Children shall not use, clean or play with this appliance, which when not in use should be secured out of their reach.

Keep hair, loose clothing, fingers and all parts of the body away from openings and moving parts. Do not put any objects into openings or use with opening blocked. Keep openings free of dust, lint, hair, and anything else that could reduce the flow of air.

Do not use in outside areas at low temperature.

Do not use to pick up flammable or combustible liquids such as gasoline, or use in areas where they may be present.

Do not pick up anything that is burning or smoking, such as cigarettes, matches or hot ashes.

Use extra care when cleaning on stairs.

Do not use unless filters are fitted.

If the machine is not working properly or has been dropped, damaged, left outdoors, or dropped into water, return it to a service center or dealer.

If foam or liquid escapes from the machine, switch off immediately.

The machine may not be used as a water pump. The machine is intended for vacuuming air and water mixtures.

Provide for good ventilation at the working place.

Do not use the machine as a ladder or step ladder. The machine can tip over and become damaged. Danger of injury.

Hazardous materials.

Vacuuming up hazardous materials can lead to serious or even fatal injuries.

The following materials must not be picked up by the machine:

- hot materials (burning cigarettes, hot ash, etc.)
- flammable, explosive, aggressive liquids (e.g. petrol, solvents, acids, alkalis, etc.)
- flammable, explosive dust (e.g. magnesium or aluminium dust, etc.)

SPECIFIED CONDITIONS OF USE

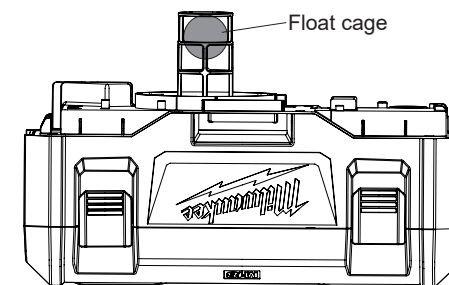
The vacuum cleaner may be used as follows: suction of non-toxic dusts and non-combustible liquids, aspiration of sloppy or muddy water, clearing up clogged drains, on-site cleaning (building sites, working places, etc.).

Do not use this product in any other way as stated for normal use.

WET PICK-UP OPERATION

Remove ALL dirt and debris found in the tank.

Remove the filter. Ensure that the float cage remains in place.



Turn on the vacuum and begin pick-up.

Turn off the vacuum immediately upon completing a wet pick-up job or when tank is full and ready to be emptied.

NOTE: If suction shuts off, turn off the vacuum immediately and empty the tank.

Remove the battery pack.

Raise the hose to drain any excess liquid into the tank.

Remove motor housing and pour liquid waste into a suitable drain.

Clean the interior of the tank and pick-up accessories periodically, more often when used to pick up wet, sticky materials. Use warm, soapy water.

AUTOMATIC SUCTION SHUT-OFF

When picking up liquids, an internal float rises until it seats itself against a seal at the intake of the motor, shutting off suction. When this happens, the motor will develop a higher than normal pitch noise and the suction is drastically reduced. If this occurs, turn off the vacuum immediately. Failure to turn off unit after float rises and shuts off suction will result in extensive damage to the motor. To continue use, empty the liquid waste from the tank.

NOTE: If the vacuum is accidentally tipped over, it could lose suction. Turn off the vacuum and return it to an upright position. The float will return to its normal position.

BATTERIES

Battery packs which have not been used for some time should be recharged before use.

Temperatures in excess of 50°C (122°F) reduce the performance of the battery pack. Avoid extended exposure to heat or sunshine (risk of overheating).

The contacts of chargers and battery packs must be kept clean.

For an optimum life-time, the battery packs have to be fully charged, after used.

To obtain the longest possible battery life remove the battery pack from the charger once it is fully charged.

For battery pack storage longer than 30 days: Store the battery pack where the temperature is below 27°C and away from moisture. Store the battery packs in a 30% - 50% charged condition. Every six months of storage, charge the pack as normal.

TRANSPORTING LITHIUM BATTERIES

Lithium-ion batteries are subject to the Dangerous Goods Legislation requirements.

Transportation of those batteries has to be done in accordance with local, national and international provisions and regulations.

- The user can transport the batteries by road without further requirements.
- Commercial transport of Lithium-Ion batteries by third parties is subject to Dangerous Goods regulations. Transport preparation and transport are exclusively to be carried out by appropriately trained persons and the process has to be accompanied by corresponding experts.

When transporting batteries:

- Ensure that battery contact terminals are protected and insulated to prevent short circuit.
- Ensure that battery pack is secured against movement within packaging.
- Do not transport batteries that are cracked or leak.










Check with forwarding company for further advice

MAINTENANCE

Use only Milwaukee accessories and Milwaukee spare parts. Should components need to be replaced which have not been described, please contact one of our Milwaukee service agents (see our list of guarantee/service addresses).

If needed, an exploded view of the tool can be ordered. Please state the machine type printed as well as the six-digit No. on the label and order the drawing at your local service agents or directly at: Techtronic Industries GmbH, Max-Eyth-Straße 10, 71364 Winnenden, Germany.

SYMBOLS

| | |
|--|--|
|  | CAUTION! WARNING! DANGER! |
|  | Remove the battery pack before starting any work on the machine. |
|  | Please read the instructions carefully before starting the machine. |
|  | Class III electrical protection. |
|  | Do not dispose electric tools, batteries/rechargeable batteries together with household waste material. Electric tools and batteries that have reached the end of their life must be collected separately and returned to an environmentally compatible recycling facility. Check with your local authority or retailer for recycling advice and collection point. |
|  | European Conformity Mark |
|  | British Conformity Mark |
|  | Ukraine Conformity Mark |
|  | EurAsian Conformity Mark |

Copyright 2020

Techtronic Industries GmbH
Max-Eyth-Str. 10
71364 Winnenden
Germany

+49 (0) 7195-12-0

www.milwaukeeetool.eu

Techtronic Industries (UK) Ltd
Fieldhouse Lane
Marlow Bucks SL7 1HZ
UK



(10.20)

4100 4149 40