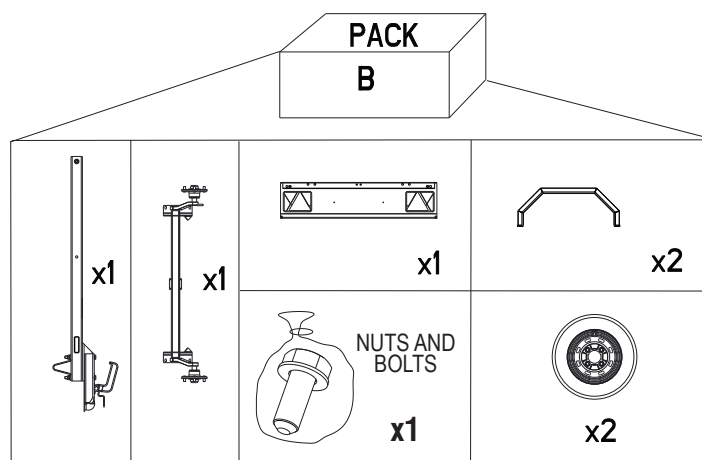
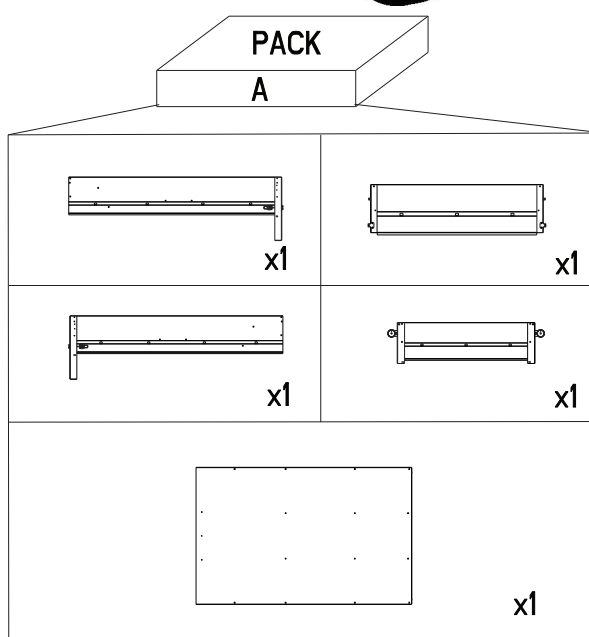


ASSEMBLY INSTRUCTIONS



SY150

MP6815



NUTS AND BOLTS CONTENT IN BOX B					
x6	x4	x13	x4	x2	x4
M 10x30	M 8x20	M 8x25	Mudguard plates	M 6x12	Ø10
x6	x4	x4	x1		
Ø10	Ø8	Ø8	Bracket		

**WEAR GLOVES
DURING ASSEMBLY**

Manufactured on behalf of

MAYPOLE

LIMITED

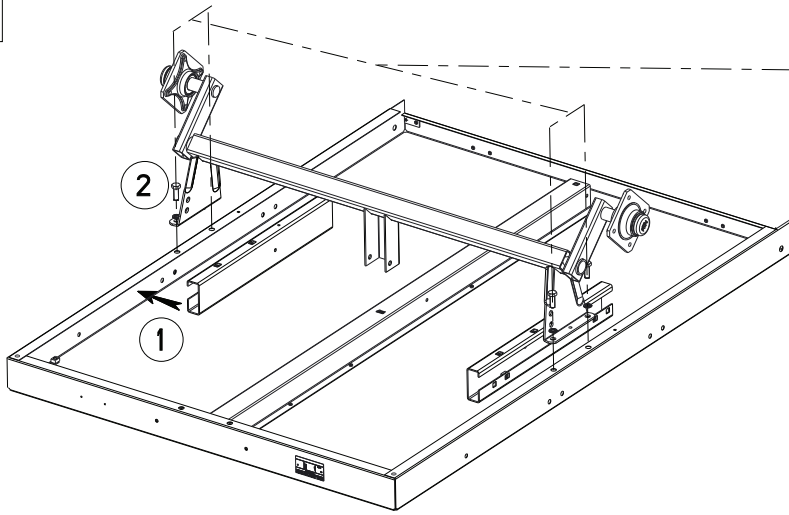
Maypole Ltd, Birmingham UK
www.maypole.ltd.uk
sales@maypoleltd.co.uk

TOOLS REQUIRED FOR ASSEMBLY. NOT PROVIDED

	8 0.6 daN.m (M5)
	10 0.8 daN.m (M6)
	13 1.8 daN.m (M8)
	17 3.6 daN.m (M10)
	17 6 daN.m

NOTE: TIGHTEN FIXINGS TO TORQUES
PRESCRIBED IN THE LIST OF TOOLS

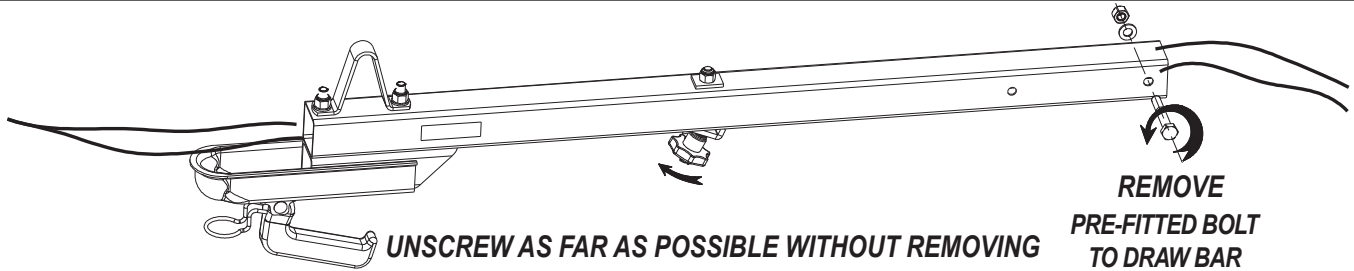
A



	x4	M 10x30
	x4	∅10
	x4	∅10

A1 DO NOT TIGHTEN NUTS AND BOLTS AT THIS STAGE

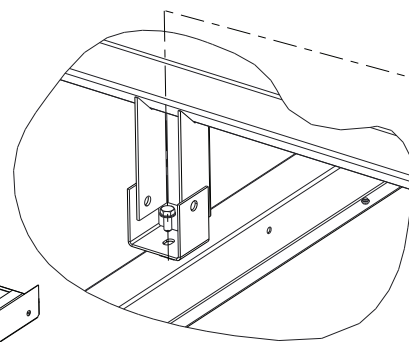
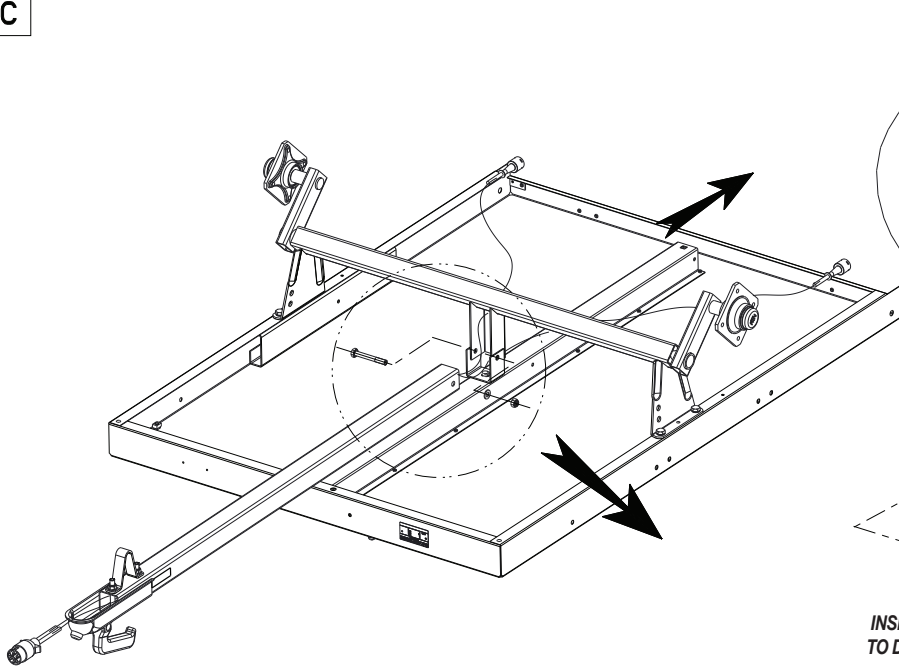
B



UNSCREW AS FAR AS POSSIBLE WITHOUT REMOVING

REMOVE PRE-FITTED BOLT TO DRAW BAR

C



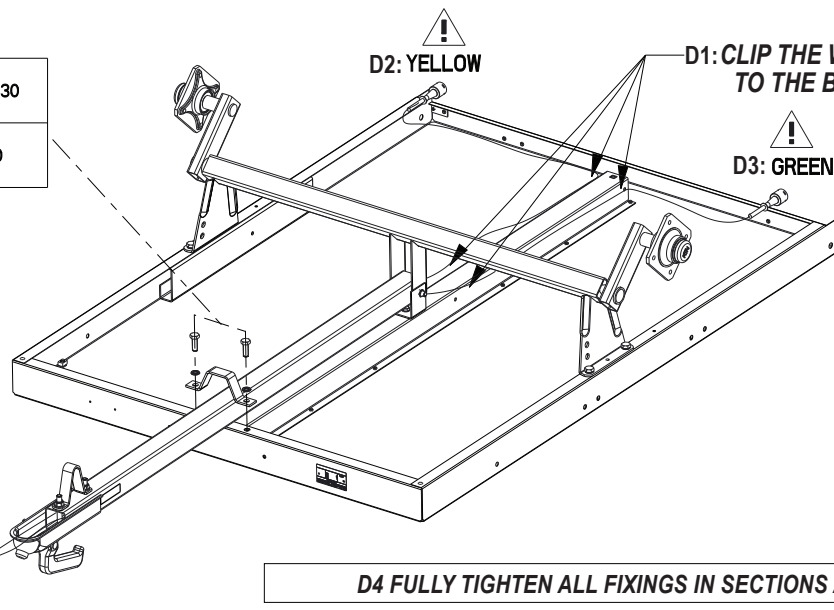
	x1	M 8x20
--	----	--------

x1	x1	x1
M 10x80	∅10	M 10

INSERT BOLT TO DRAW BAR

D

	x2	M 10x30
	x2	∅10



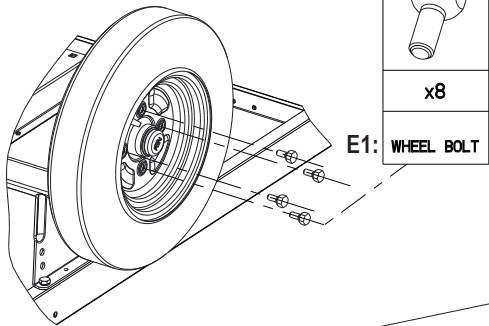
D2: YELLOW

D1: CLIP THE WIRES TO THE BEAM

D3: GREEN

D4 FULLY TIGHTEN ALL FIXINGS IN SECTIONS A-C

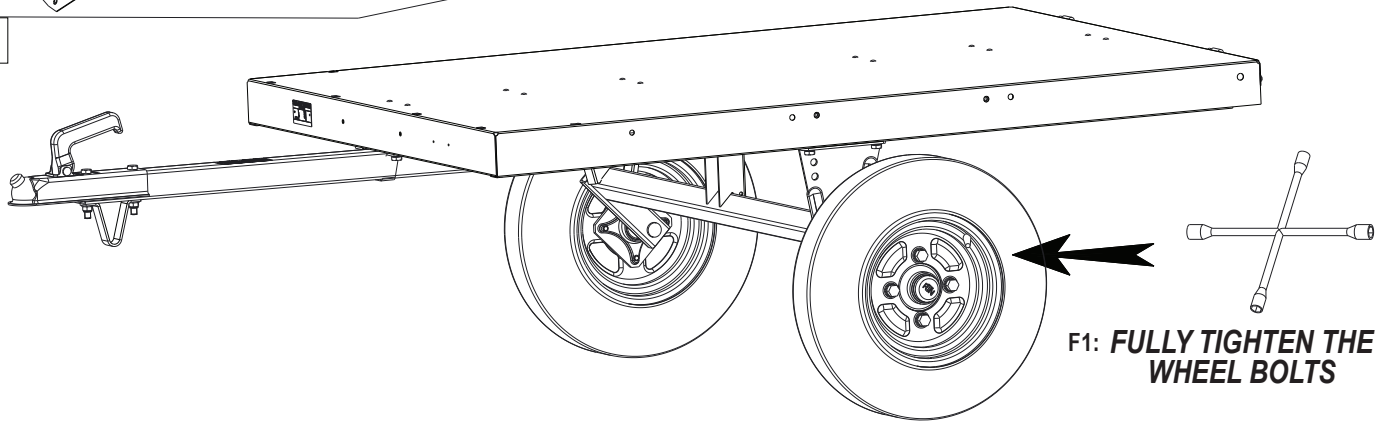
E



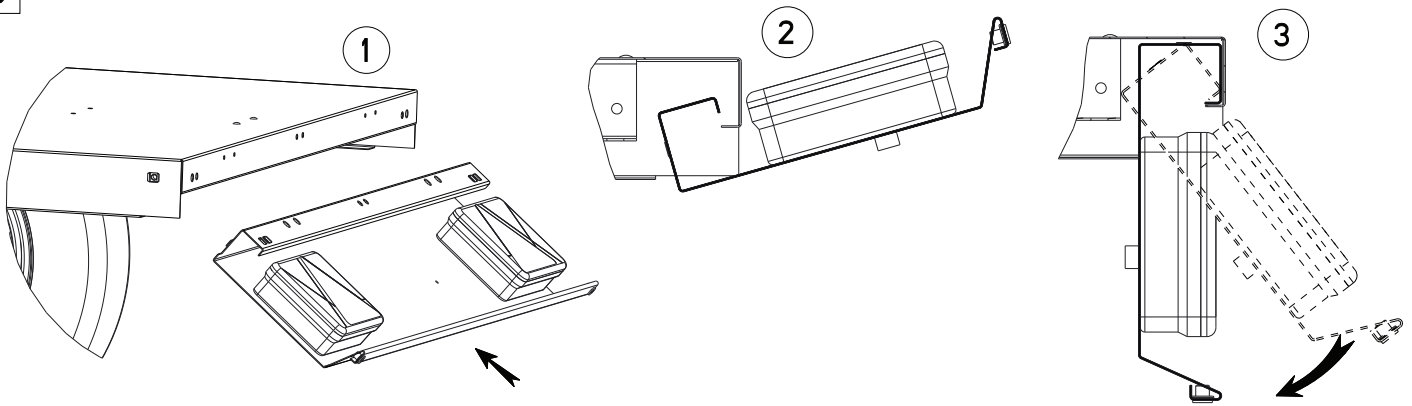
E2: DOMED HEAD AGAINST THE WHEEL RIM

CAREFULLY TURN THE TRAILER OVER SO WHEELS ARE ON THE GROUND

F

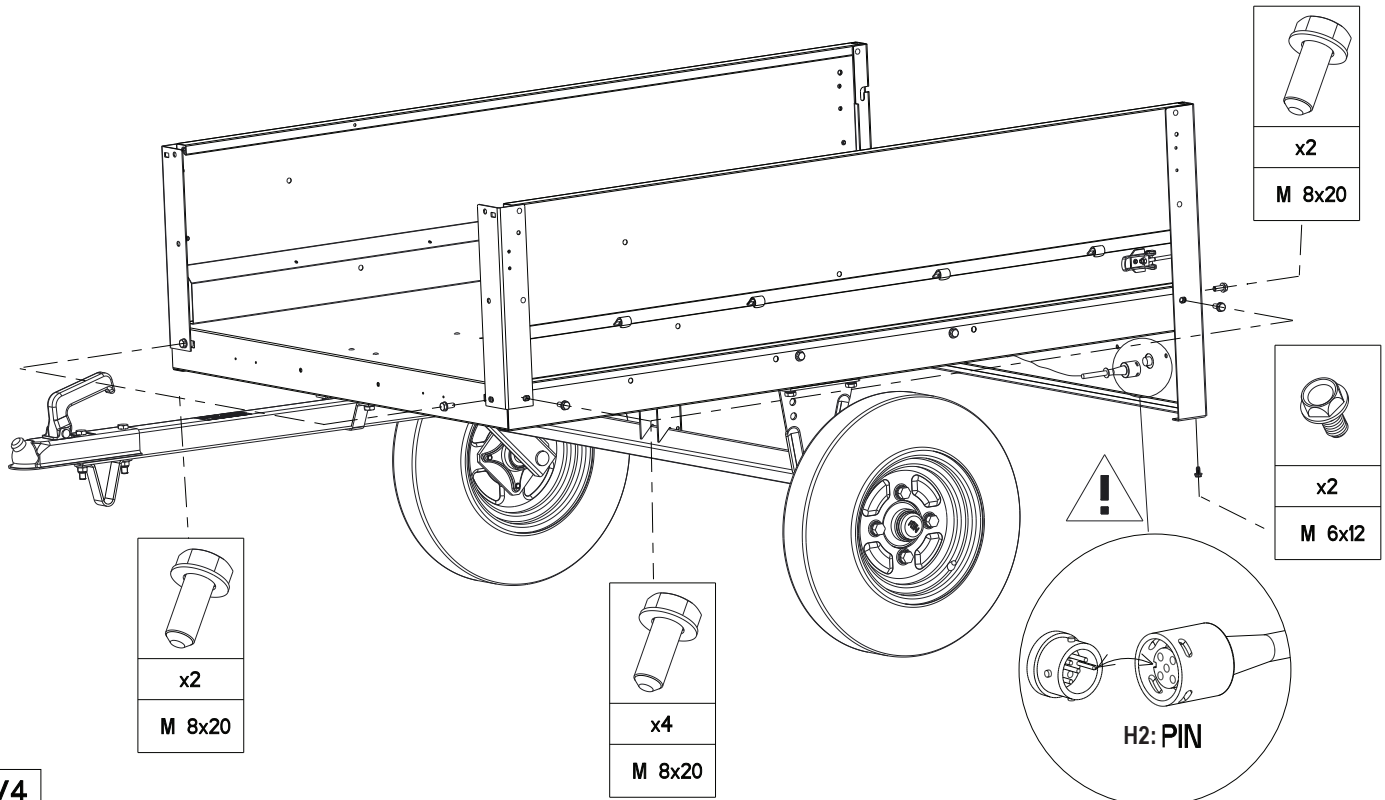


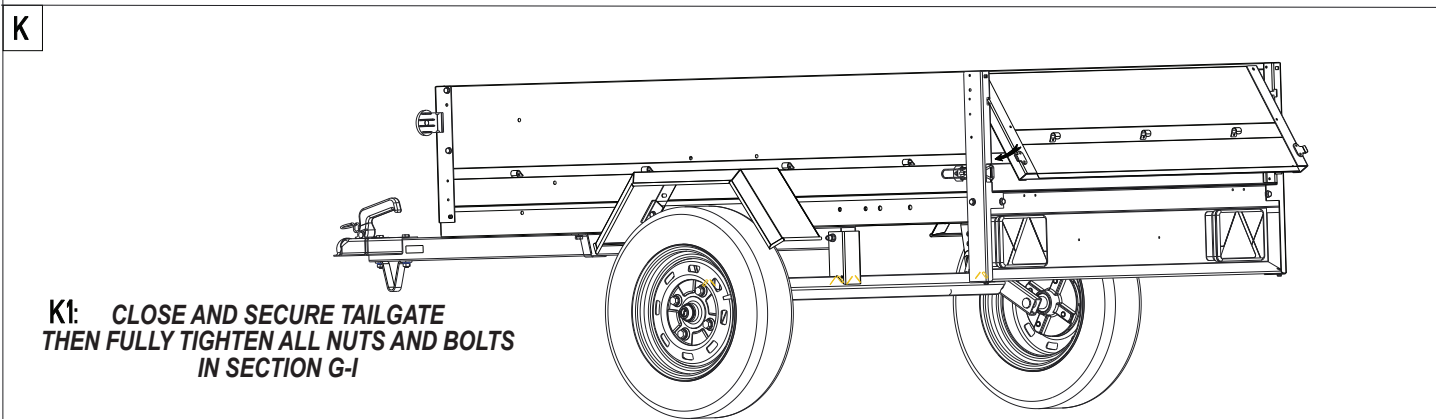
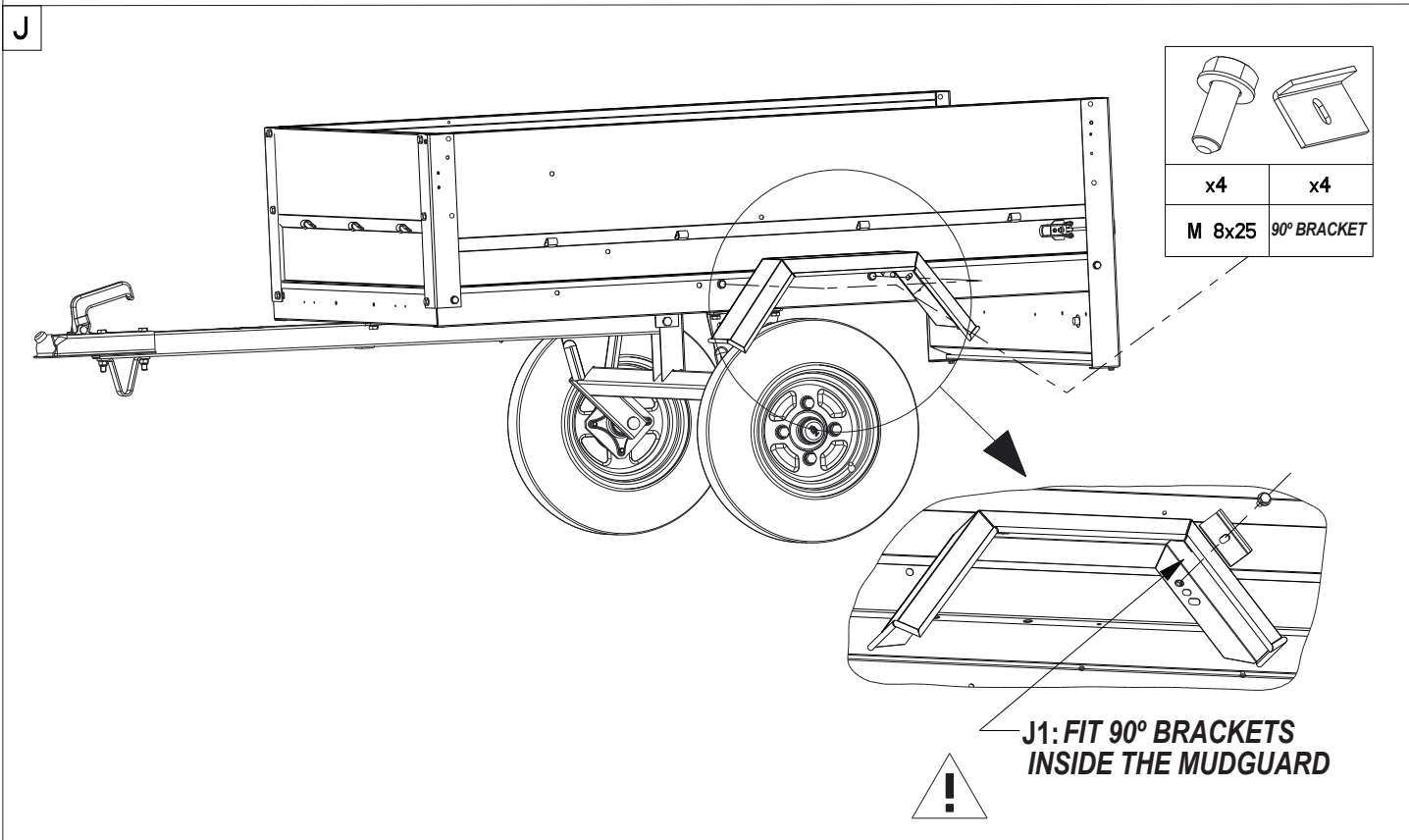
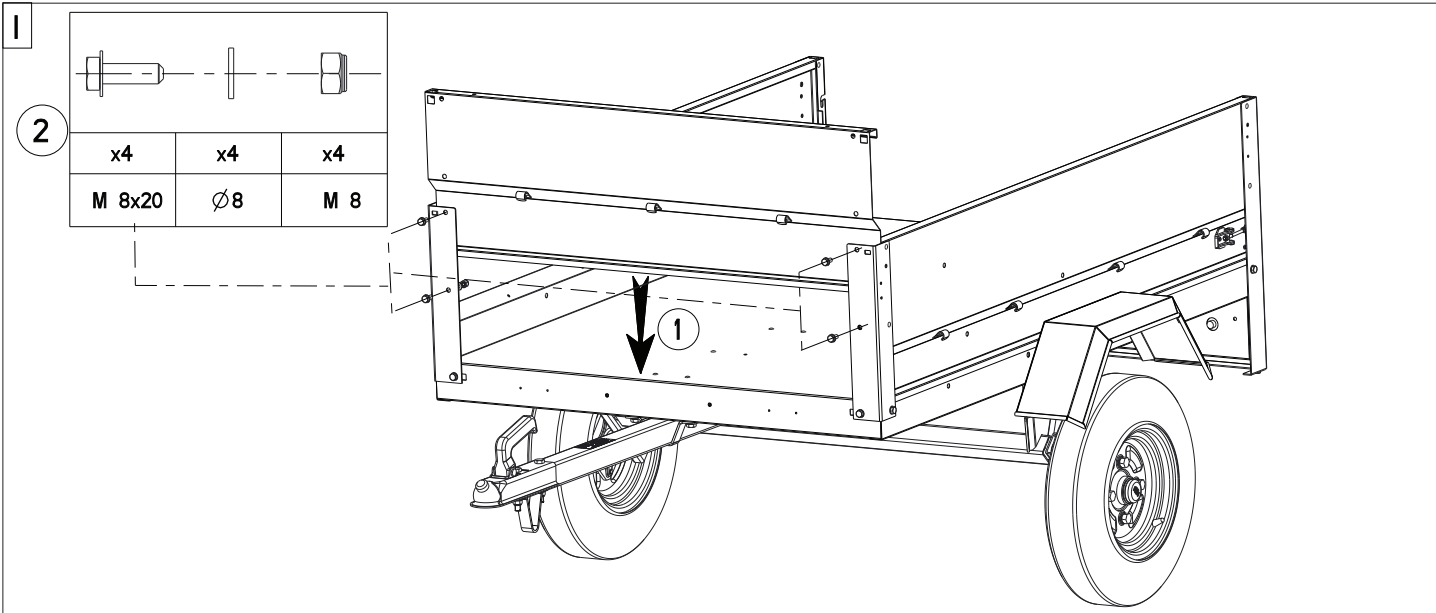
G



H

H1: DO NOT TIGHTEN NUTS AND BOLTS IN SECTION H-I UNTIL INSTRUCTED TO DO SO IN SECTION K





4/4

After assembly and again after the first 60 miles, check the tightness of all fixings on the opposite listed components:

- Wheels
- Axle
- Drawbar
- Coupling head
- Mudguards
- Lighting

Road trailers must be inspected prior to use to ensure they are of a road worthy condition; it is a legal requirement that all trailers are maintained and comply with all relevant regulations. While there is very little maintenance required on Erdé trailers, it is important that the unit should be checked at least annually by a competent person. Sealed bearings do not require lubrication but require frequent inspection for wear and should be replaced if worn or noisy.