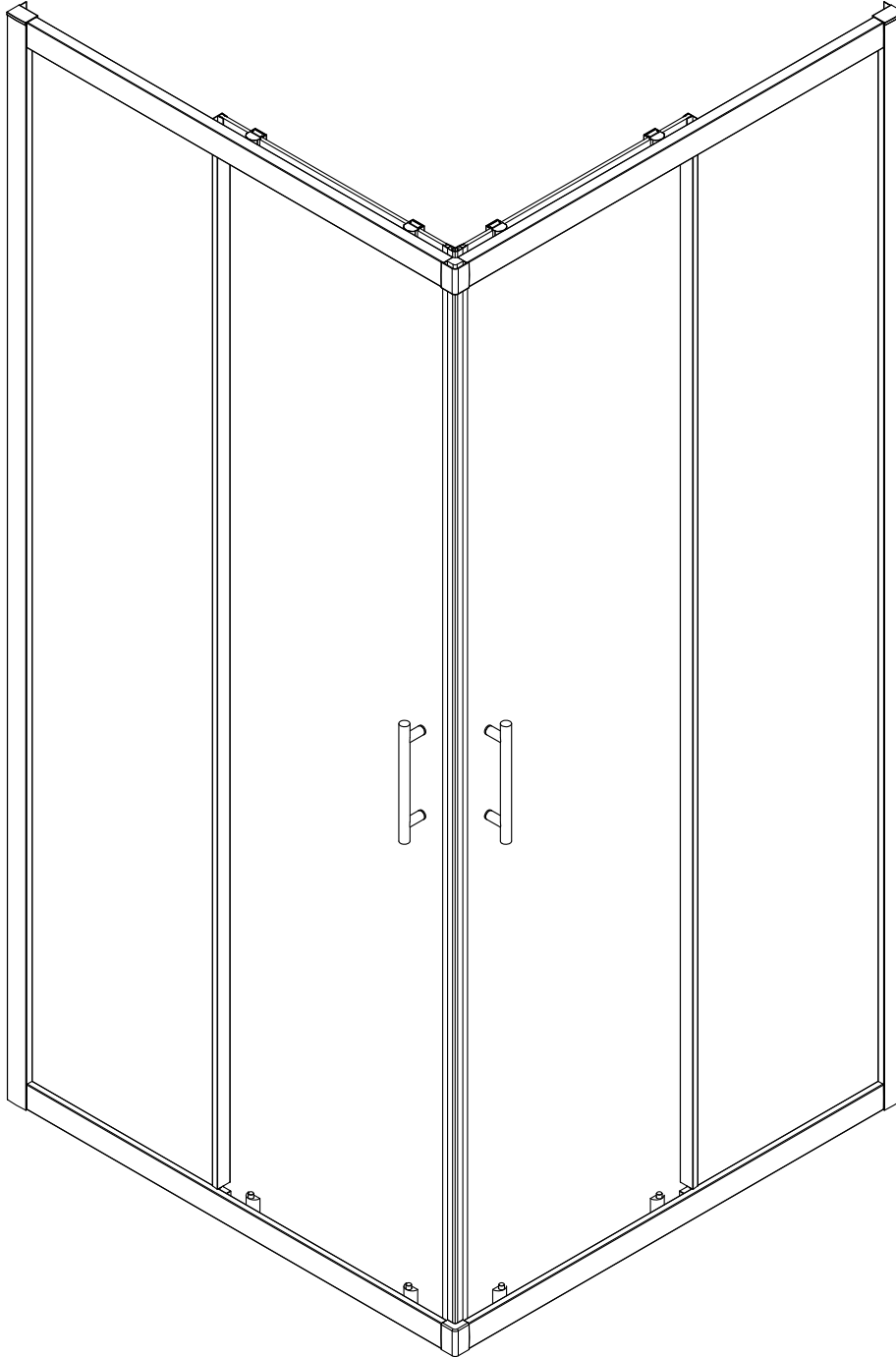


# Assembly Instructions

## Corner Entry Enclosure



Product Reference (Barcode):

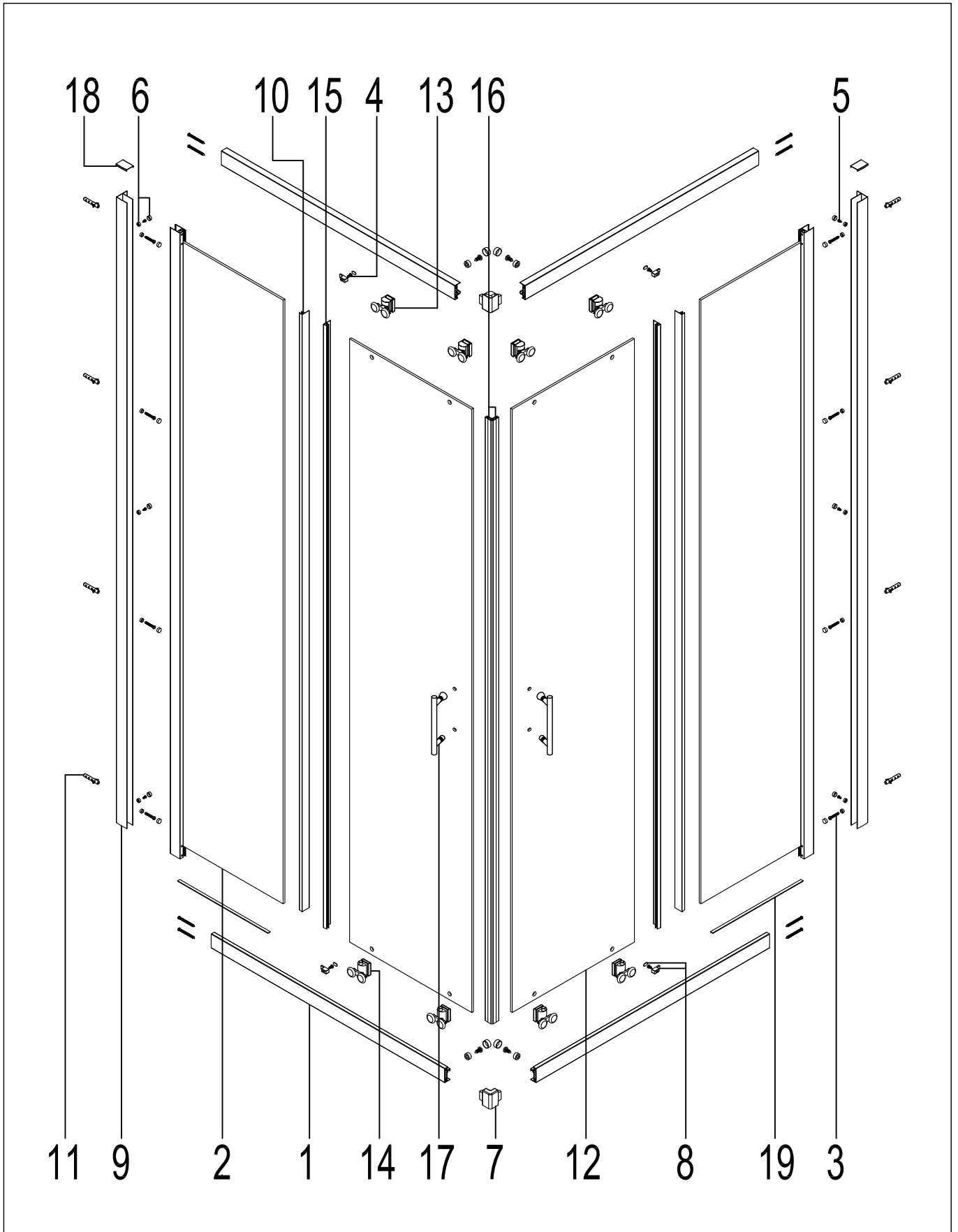
MFQEE7602 (5054913411922)

MFQEE8002 (5054913411939)

MFQEE9002 (5054913411946)





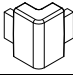

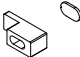
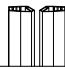



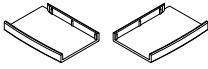

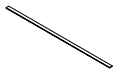



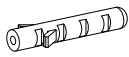


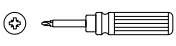


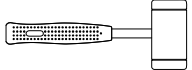
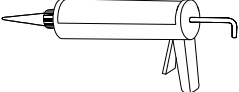
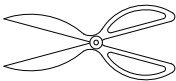
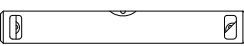

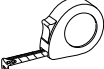

# Assembly Instructions

## Corner Entry Enclosure



# Assembly Instructions

## Corner Entry Enclosure

Parts Supplied							
Ref	Description	Illustration	Qty	Ref	Description	Illustration	Qty
1	Top & Bottom rails		2pairs	13	Top roller		4
2	Fixed glass		2	14	Bottom roller		4
7	Corner connector		2	15	Vertical seal	 L=1830	2
8	Glass clip and cover cap		4	16	Magnetic door seal		1pair
9	Wall profile		2	17	Handle		2
10	Fixed panel seal	 L=1763	2	18	Wall profile cover		1pair
12	Door		2	19	Black adhesive seal		1
Fittings Supplied							
Ref	Description	Illustration	Qty	Ref	Description	Illustration	Qty
3	Stainless steel Screw ST3.9X35		16	6	Screw cover		18
4	Stainless steel Screw ST3.9X13		4	11	Wall plug		8
5	Stainless steel Screw ST4X10		10	20	3MM Drill Bit		1
Tools Required(not supplied)							
Magnetic Crosshead Screwdriver		Power Drill(with hammer action)		6MM Drill Bit(suitable for wall type)	 Ø6mm		
Rubber Mallet		Silicone Sealant		Scissors			
Spirit Level		Knife					
Tape Measure		Pencil					

# Assembly Instructions

## CORNER ENTRY ENCLOSURE

### Before You Start

·WARNING : Please read these instructions through carefully before you start the installation. Incorrect product installation may result in serious product failure in use.

Always follow the instructions and retain them for future use.

·The enclosure is designed to allow for 20mm adjustment when fitted to “out of true” walls.

The thickness of the tiles used will affect the overall position of the enclosure on the tray.

·Check the pack and ensure that you have all of the parts listed . If not, contact your vendor.

·When you are ready to start, make sure you have the right tools to hand, plenty of space and a clean dry area for assembly.

·Two people are required for assembly. Please note that although these instructions are comprehensive, it is always recommended that a technically competent installer should undertake installation.

·Ensure that the enclosure is fitted to a level tray or floor and vertical walls .

·Please note: The wall plugs included with this product are suitable for solid walls only. Plasterboard or stud walls may require specialized fixings which are not provided. (Always ensure that the wall plugs or fittings are correct for the wall type.)

·Caution: Please handle all glass with care. Any damage to the edges, or scratches to the surface that occur during assembly or normal use can cause the glass to break suddenly. Tempered glass will shatter into very small pieces that will still have sharp edges.

·Caution: Care should be taken when drilling into walls to avoid hidden pipes or electrical cables.

·When working near a tray or bath, ensure that the waste is covered so that small parts do not fall down it.

# Assembly Instructions

## CORNER ENTRY ENCLOSURE

### Guarantee

This Guarantee is offered by PJH, Alder House, Kearsley, Bolton, BL4 8SL.

This product is guaranteed from the date of original purchase against manufacturing defects.

This Guarantee relates to products purchased for domestic use only and is subject to the terms and conditions stated below.

The product is covered by a lifetime Guarantee

This excludes normal wear and tear & perishable components such as seals, sliders, rollers, hinges and magnetic seals, which are covered by a 12 month guarantee.

#### **What are the conditions?**

These products are guaranteed against manufacturing defects only.

PJH must be given reasonable opportunity to inspect the product in the installed situation. In circumstances where it is not reasonably practicable for the product to remain in situ the product should be retained for inspection.

All claims must be supported with the original receipt or other reasonable proof of purchase.

All claims must be made as soon as reasonably practicable once the defect has been discovered.

The Guarantee assumes reasonable maintenance and care of the product has been taken in accordance with the manufacturer's guidelines.

This Guarantee is non transferable to a new owner of the product if the product has been removed from the premises in which it was first installed and then reinstalled in other premises.

The Guarantee applies only to the single product in question and does not extend to the replacement of other products in the bathroom, general household fittings or furniture or to the repair of other consequential or incidental damage arising from a defective product, that could not be reasonably foreseen at the time the

# Assembly Instructions

## CORNER ENTRY ENCLOSURE

product was purchased or installed.

We may ask you to carry out reasonable diagnostic checks or we may ask to inspect the product installed before we validate a claim under the guarantee

### **What is not covered under the Guarantee?**

- Products that have been damaged or neglected as a result of a failure to store, assemble, install, use or care for the products in accordance with the manufacturer's instructions. We will not accept responsibility under this Guarantee if a product is damaged or becomes defective due to modification, misuse, neglect, wilful or accidental damage or act of God.
- Products damaged as a result of the use of strong chemicals, contrary to the manufacturer's instructions.
- Products sold or installed outside the UK or Republic of Ireland.
- Products not installed in accordance with the fixing instructions, the UK Water Supply (Water Fittings) Regulations 1999 (or any equivalent in respect of products installed in the Republic of Ireland) and general good plumbing practice.
- Faulty installation or any product that is installed with a fault that would have been clearly evident before installation.
- Normal wear and tear.

### **Liability under this Guarantee:**

If the product fails due to a defect in materials or workmanship within the Guarantee period we shall repair or replace the product or part. If PJH cannot supply you with the same product because it is no longer available, at our sole discretion we will:

- Provide you with a replacement which is the closest alternative and which will be of the same or better specification than the original product purchased.

# Assembly Instructions

## CORNER ENTRY ENCLOSURE

- Pay you the original purchase price of the product. If the product needs to be returned to the manufacturer we will reimburse any reasonable costs of returning the product if it is found to have a manufacturing fault.

These are the only remedies available under this guarantee.

### **How to claim under this Guarantee:**

The claim must be made within the Guarantee lifetime.

All claimants should contact customer services department of your vendor in the first instance.

You will be asked for a copy of your original receipt or other reasonable proof of purchase.

Where this Guarantee applies to products purchased in the UK, English law shall apply and the Courts in England shall have jurisdiction over any dispute relating to this Guarantee.

Where this Guarantee applies to products purchased in the Republic of Ireland, Irish law shall apply and the Courts in the Republic of Ireland shall have jurisdiction over any dispute relating to this Guarantee.

This guarantee does not affect your statutory rights. For further information on you statutory rights, please contact your local authority trading standards department or Citizen's Advice Bureau (or equivalent in the Republic of Ireland).

Please register your product at  
[www.reflexionenclosures.uk/](http://www.reflexionenclosures.uk/)

# Assembly Instructions

## Corner Entry Enclosure

Fig.1

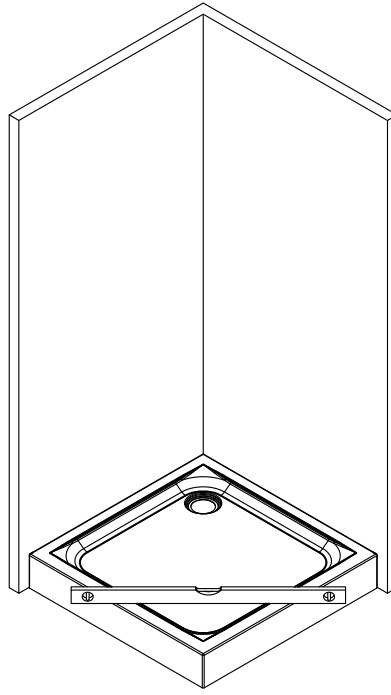
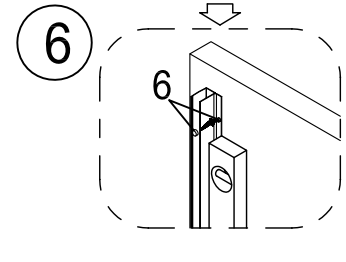
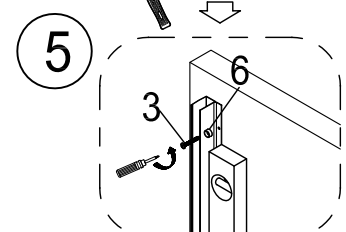
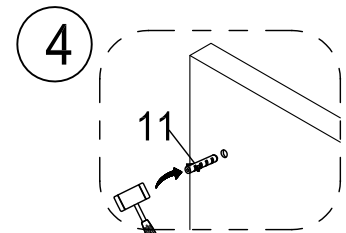
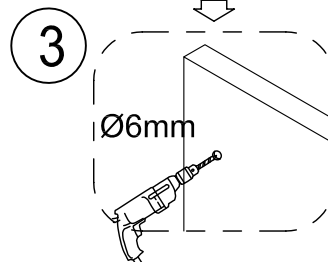
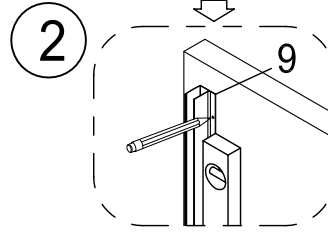
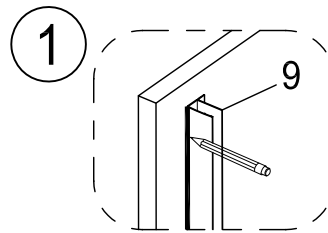
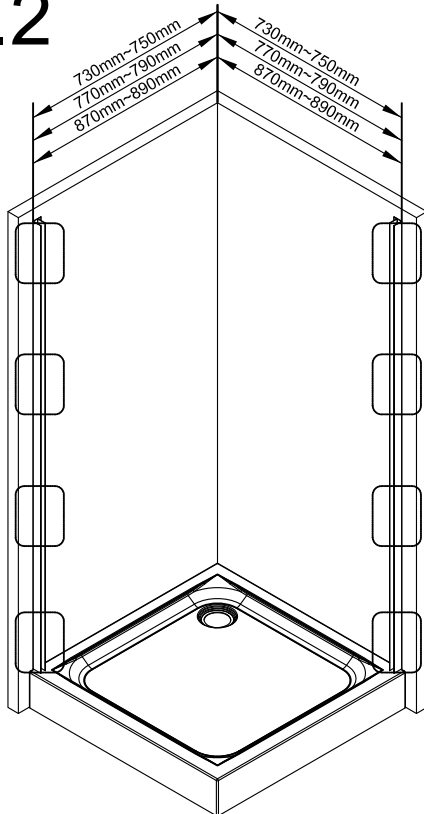


Fig.2

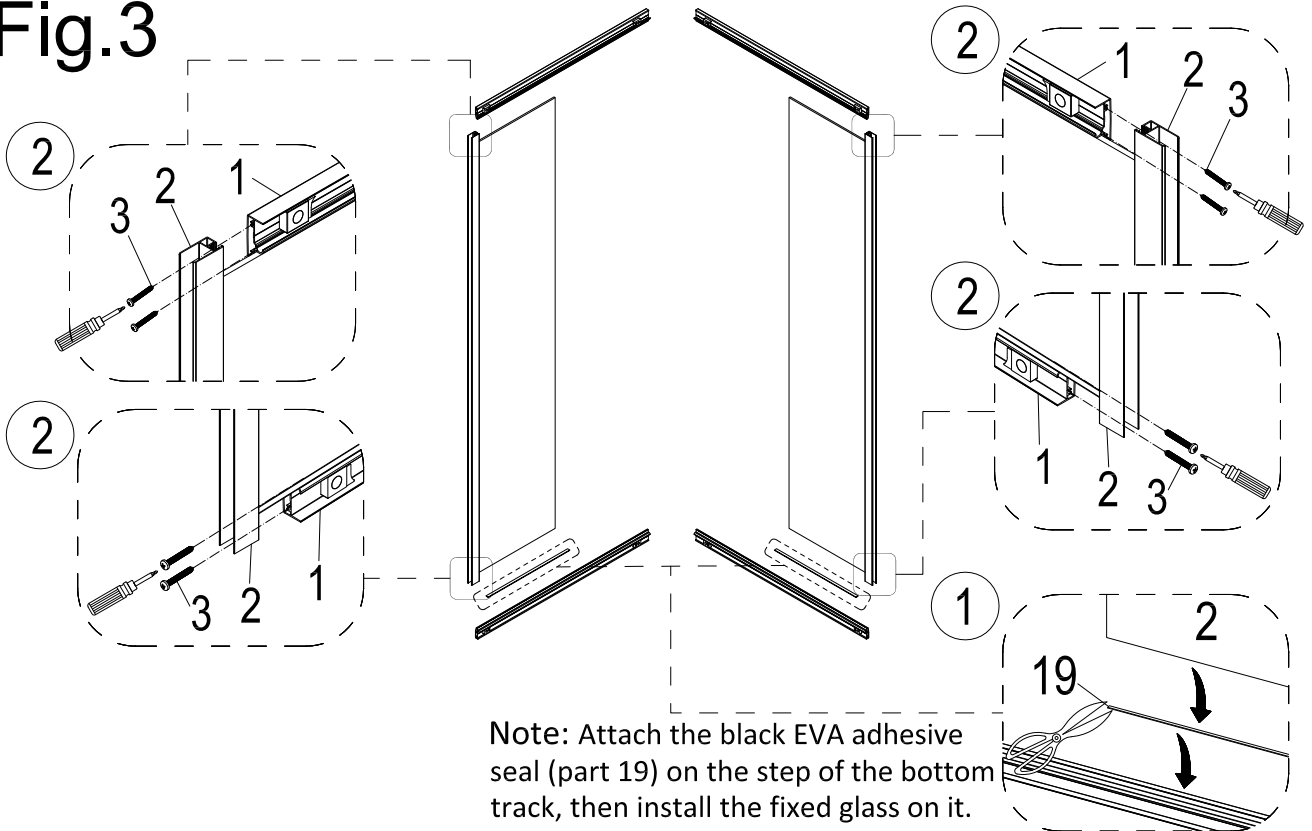




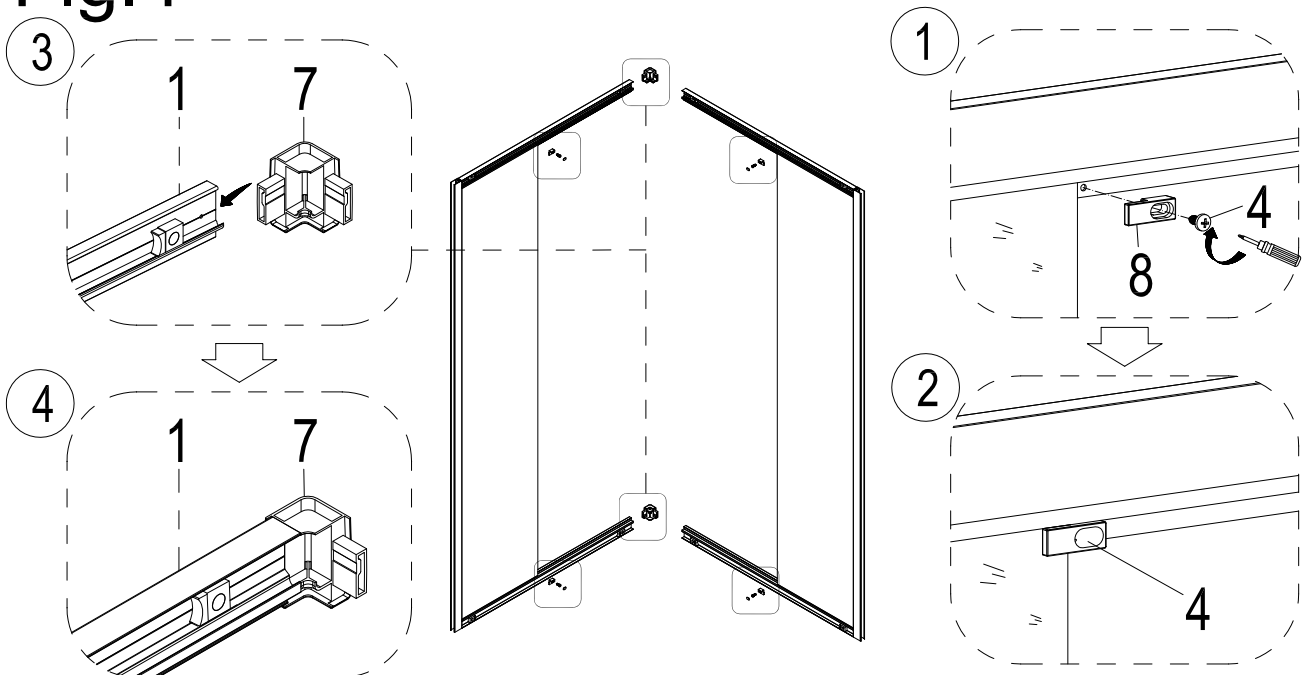
# Assembly Instructions

## Corner Entry Enclosure

### Fig.3



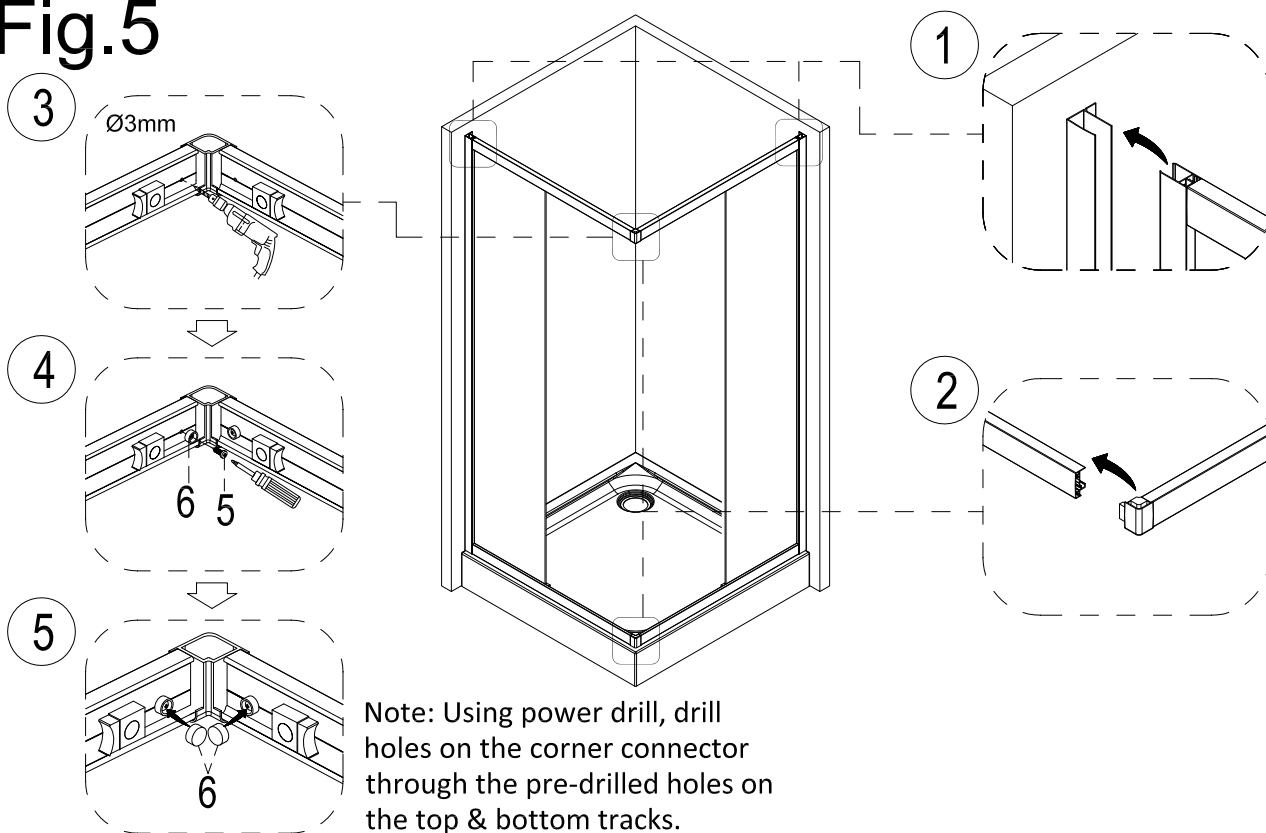
### Fig.4



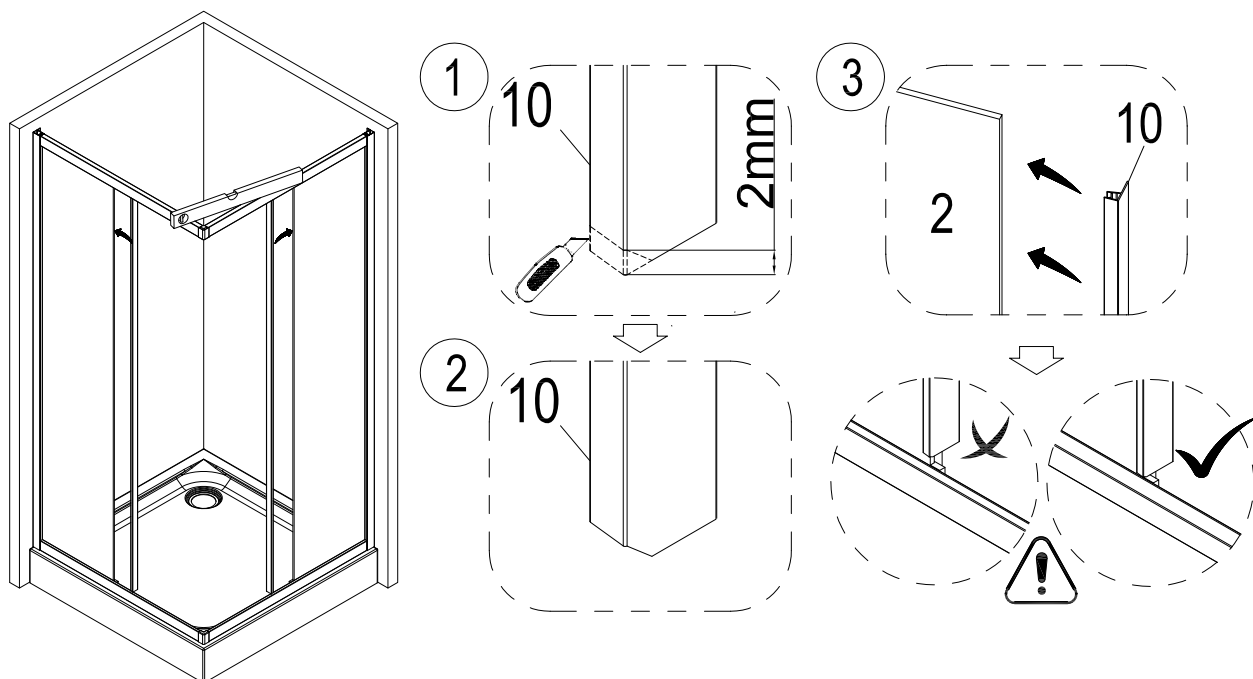
# Assembly Instructions

## Corner Entry Enclosure

### Fig.5



### Fig.6



# Assembly Instructions

## Corner Entry Enclosure

Fig.7

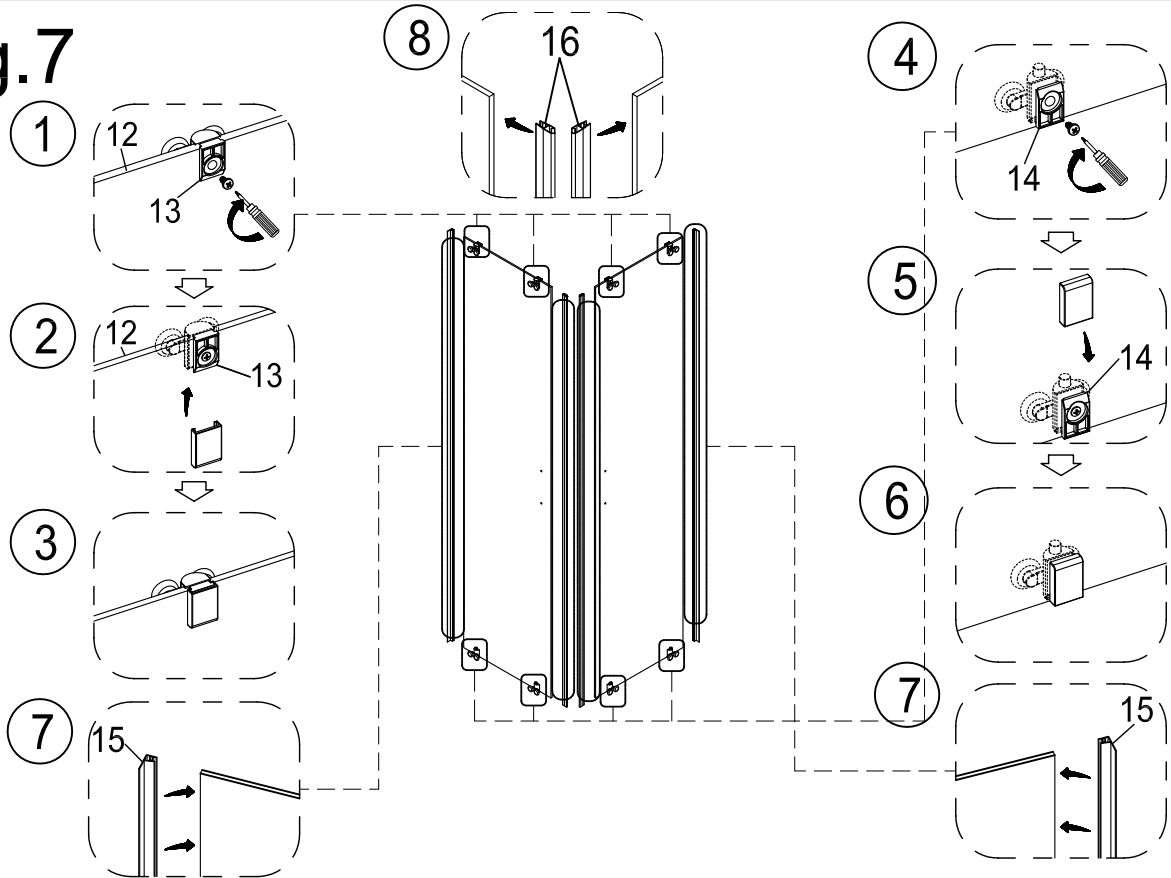
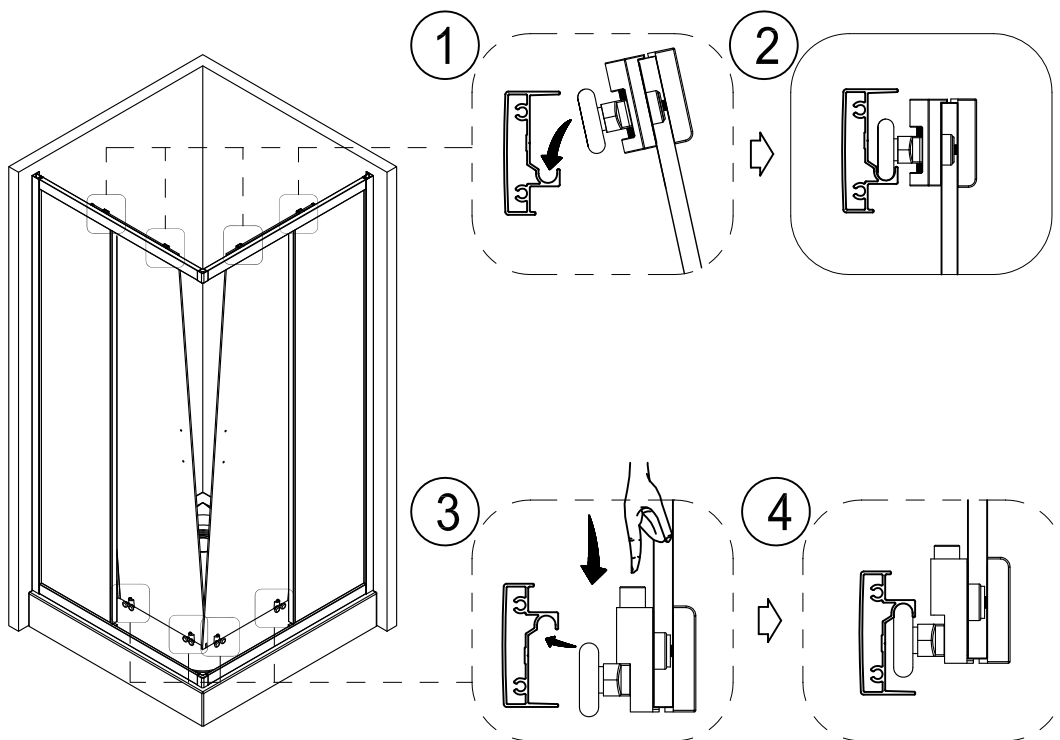


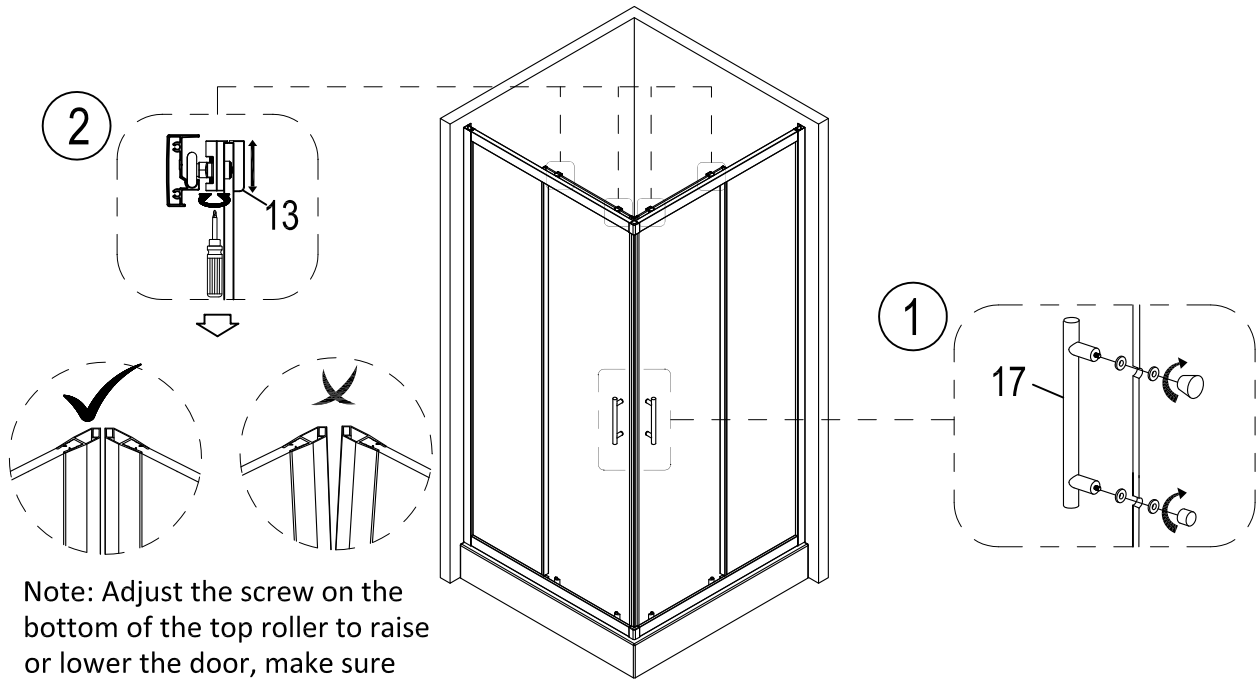
Fig.8



# Assembly Instructions

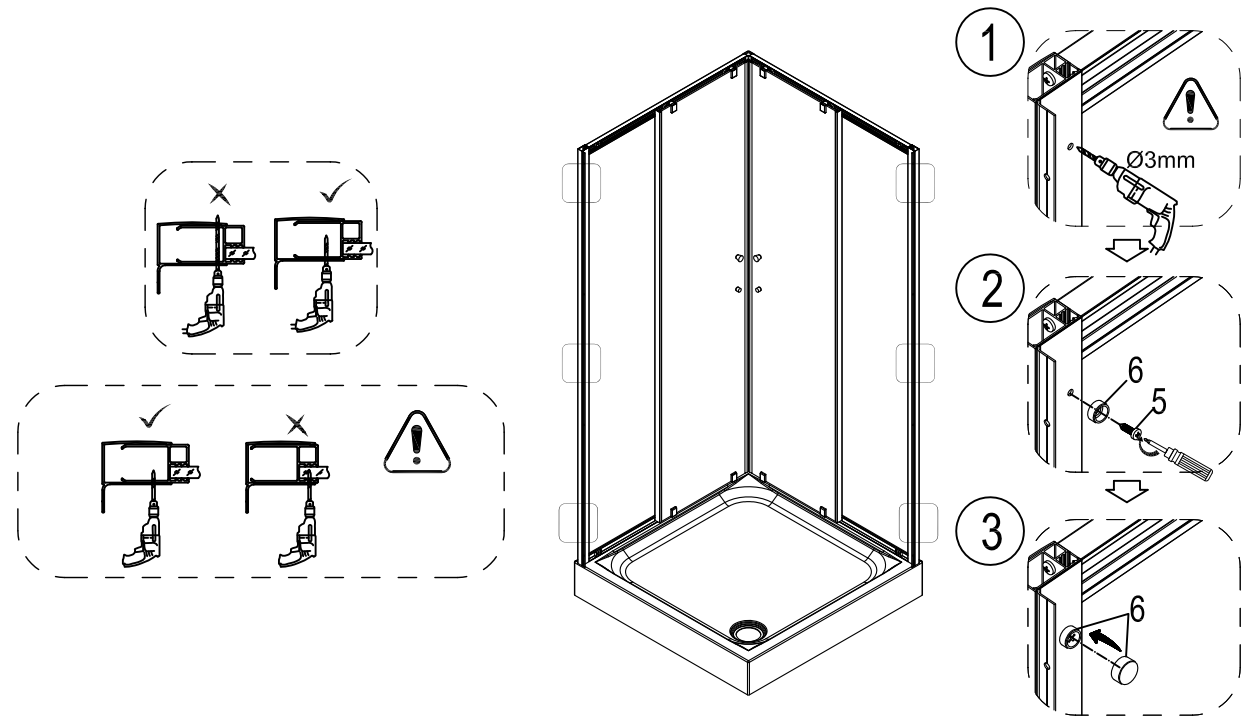
## Corner Entry Enclosure

### Fig.9



Note: Adjust the screw on the bottom of the top roller to raise or lower the door, make sure the doors are vertical and can close properly.

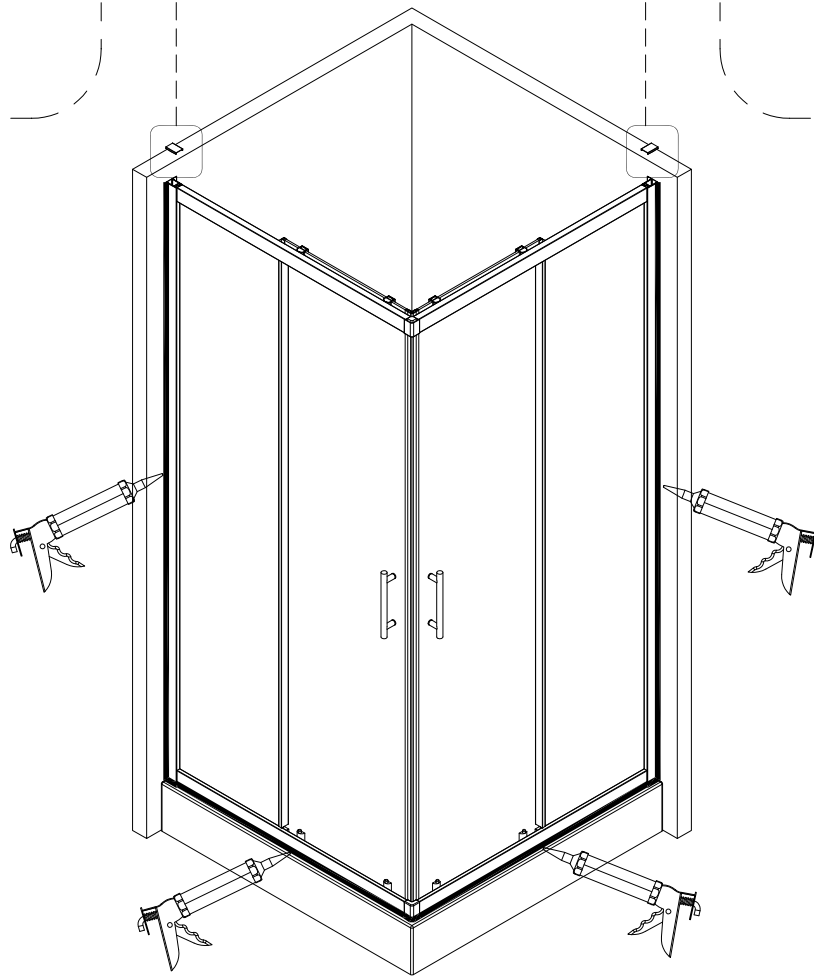
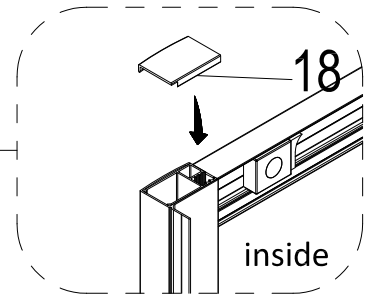
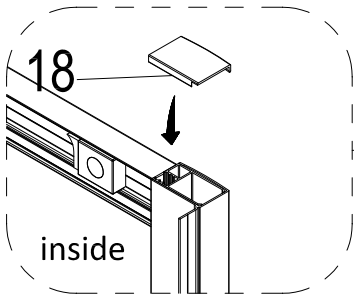
### Fig.10



# Assembly Instructions

## Corner Entry Enclosure

Fig.11



# **Assembly Instructions CORNER ENTRY ENCLOSURE**

## **Care & Use**

---

**Soapy water is adequate to keep the glass clean, although glass cleaner can be used if required. Scourers, abrasives and chemical cleaners can damage the glass and pattern, and should not be used.**

**In hard water areas, insoluble lime salts may be deposited on the glass. If this is allowed to build up it becomes increasingly difficult to remove and looks unsightly. Regular cleaning will minimize this effect.**