

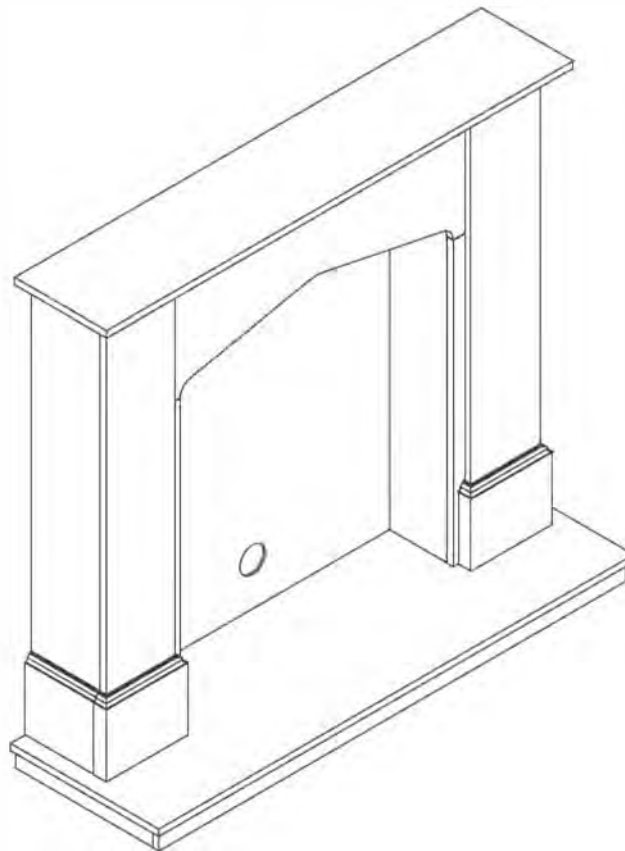
ASSEMBLY & INSTALLATION INSTRUCTIONS



Focal Point Fires Ltd
Christchurch, Dorset BH23 2BT
Tel: 01202 499330
Fax: 01202 499326
www.focalpointfires.co.uk
e: sales@focalpointfires.co.uk

Focal Point Fires Ltd
RBK House, Irishtown, Athlone,
Co. Westmeath, N37 XP52,
Ireland Tel: 01202 499330
Fax: 01202 499326
www.focalpointfires.co.uk
e: sales@focalpointfires.co.uk

MODELS COVERED BY THESE INSTRUCTIONS HURST SUITE



3 YEAR GUARANTEE

SUBJECT TO TERMS & CONDITIONS

For details please see: www.focalpointfires.co.uk or telephone
01202 588635 Option 4

Please note : Except where otherwise stated, all rights, including copyright in the text, images and layout of this booklet is owned by Focal Point Fires Ltd. You are not permitted to copy or adapt any of the content without the prior written permission of Focal Point Fires Ltd.

All instructions must be handed to the user for safekeeping.

Revision B - 03/21

© 2021 Focal Point Fires Ltd.

Section	Contents	Page No.
1.0	Important notes	2
2.0	Tools required	2
3.0	Hardware & parts list	2
4.0	Assembly	3
5.0	Installation	12
6.0	Cleaning/finishing	13
7.0	Guarantee - terms and conditions	13

1.0 IMPORTANT NOTES

To ensure safe and stable installation:

1. The assembled Fire Surround can be fixed / secured to wall.
2. The wall must be sturdy and in good repair.
3. Some walls require alternative fixings (not included).
4. When drilling into the wall, check for hidden pipes and cables.
5. Lay the parts on to a soft surface with no debris that could damage the finish.

2.0 TOOLS REQUIRED

Cross head screwdriver PZ2 (3 inches in length or greater).

Drill, 6mm and a 2mm suitable drill bit











Pencil

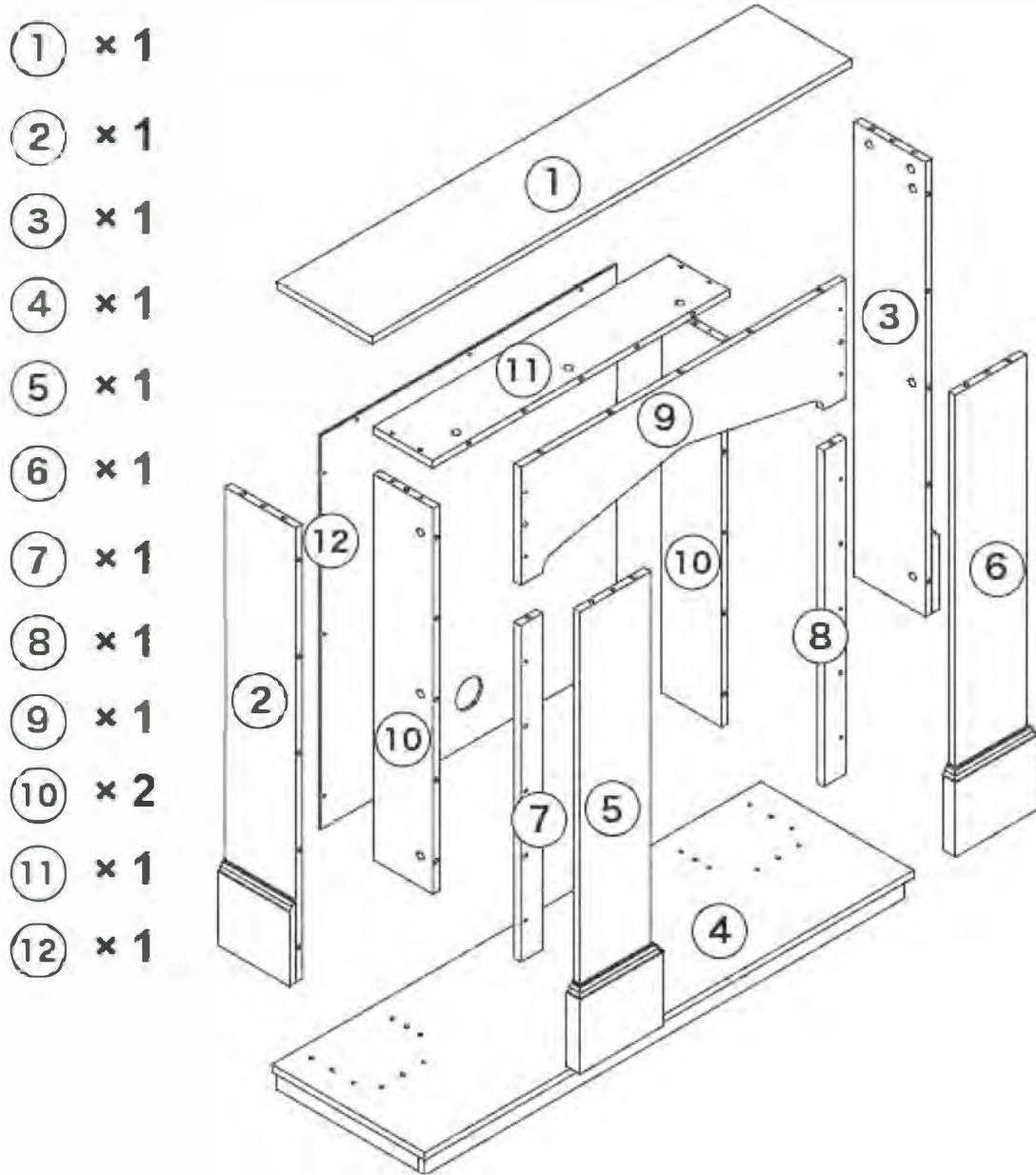
Tape measure

Jigsaw or fine tooth saw

Wood glue

3.0 HARDWARE & PARTS LIST

CODE	NAME	ITEM	QUANTITY	CODE	NAME	ITEM	QUANTITY
A	SINGLE ENDED CAM BOLTS		37PCS	K	WOOD DOWELS 8x 20mm		6PC
B	CAM LOCKS		37PCS	L	Allen Key		1PC
C	WOOD DOWELS 8 x40mm		25PCS	D	SCREWS (4X12mm)		2PCS
F	SCREWS (4X30mm)		2PCS				
G	SCREWS (3.5X25mm)		19PCS				
H	WALL PLUGS		2PC				
I	FIXING STRAP		2PC				



- ① × 1
- ② × 1
- ③ × 1
- ④ × 1
- ⑤ × 1
- ⑥ × 1
- ⑦ × 1
- ⑧ × 1
- ⑨ × 1
- ⑩ × 2
- ⑪ × 1
- ⑫ × 1

4.0 ASSEMBLY

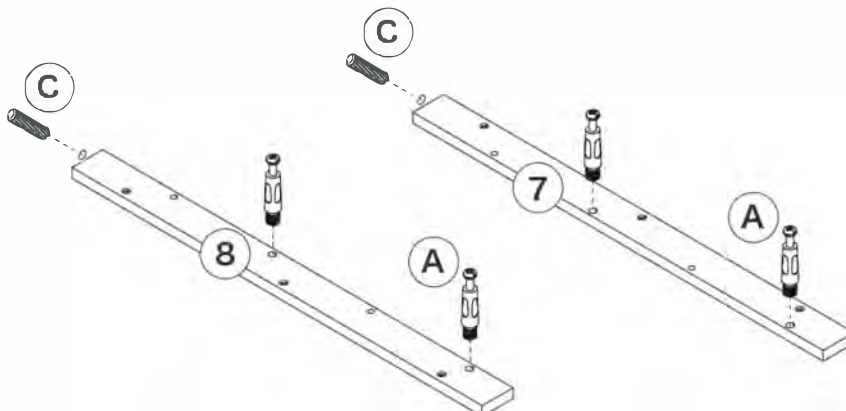
STEP 1



A x 4



C x 2



With a cross headed screw driver insert 2x single head cam bolts (A) into the inner left leg (7) and the inner right leg (8). Insert 1x wooden dowel (C) with wood glue into the end of each leg.

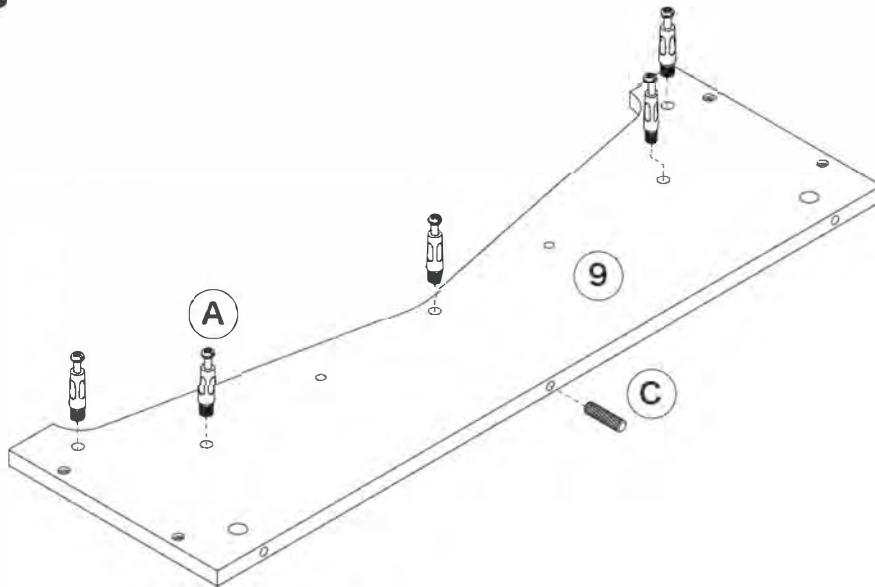
STEP 2



A x 5

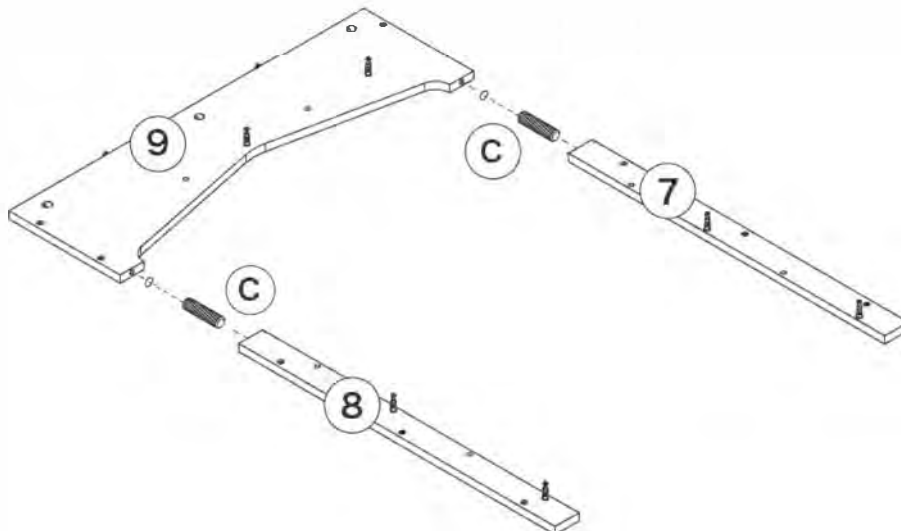


C x 1



Next select the front centre piece (9) and insert 1 x 8x40mm wooden dowels (C) into the top end, also using a small amount of glue (not provided). With a cross headed screw driver insert 5x single headed cam bolts (A) into the correct holes in the rear.

STEP 3



Place both the left inner leg (7) and the right inner leg (8) previously prepared under the front centre piece (9). Insert 2x 8x40m wooden dowels (C) in between both parts. Push all three parts together.

STEP 4



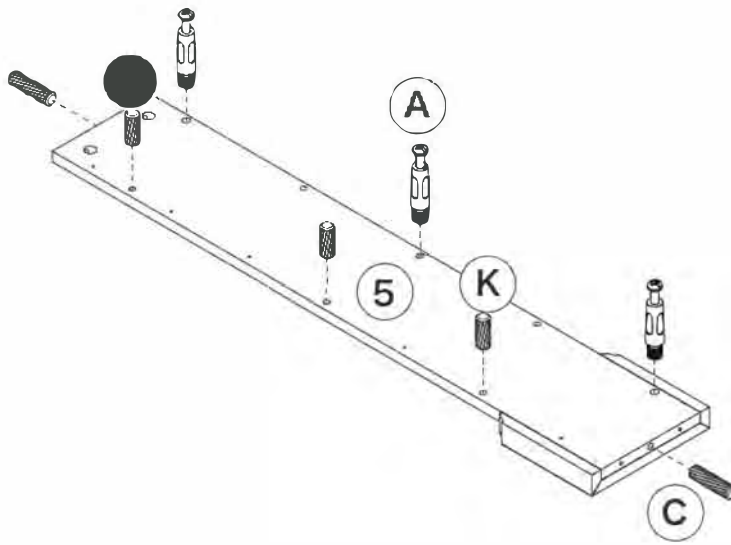
A x 3



C x 2



K x 3



With a cross headed screw driver screw 3x single headed cam bolts (A) into position on the rear of the front left leg (5). Including a small amount of glue insert the 2x 8x40mm wooden dowels (C) into the top and bottom ends of the front left leg (5). Then using a small amount of glue again insert the 8x20mm wooden dowels (K) into the rear of the front left leg (5).

STEP 5



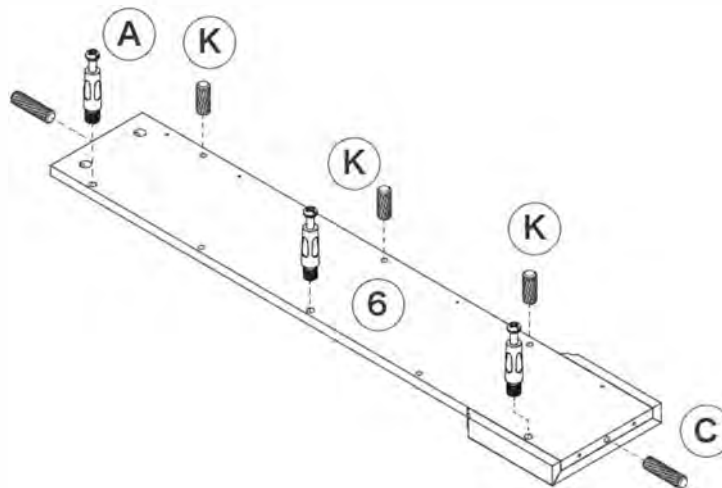
A x 3



C x 2



K x 3

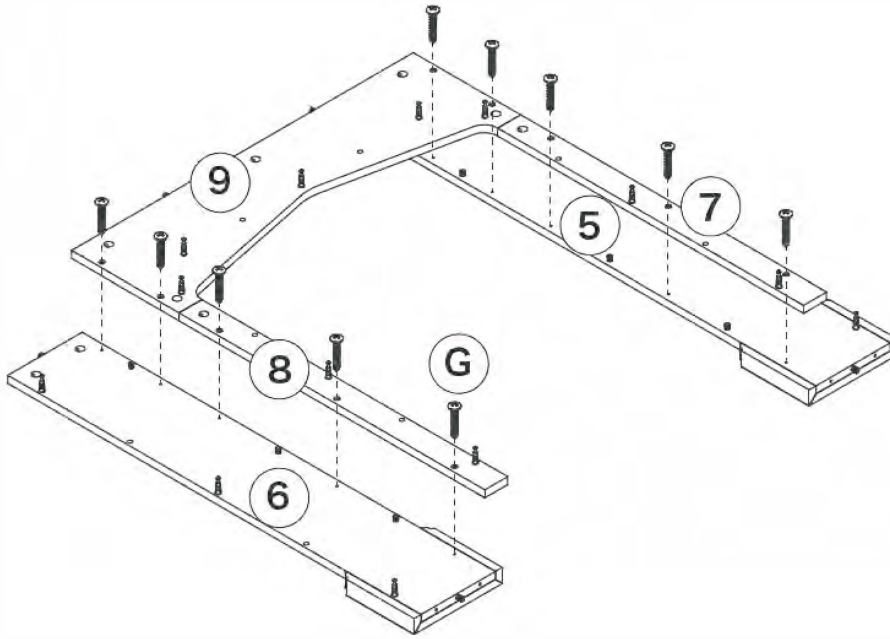


With a cross headed screw driver screw 3x single headed cam bolts (A) into position on the rear of the front right leg (6). Including a small amount of glue insert the 2x 8x40mm wooden dowels (C) into the top and bottom ends of the front right leg (6). Then using a small amount of glue again insert the 8x20mm wooden dowels (K) into the rear of the front right leg (6).

STEP 6



G x 10

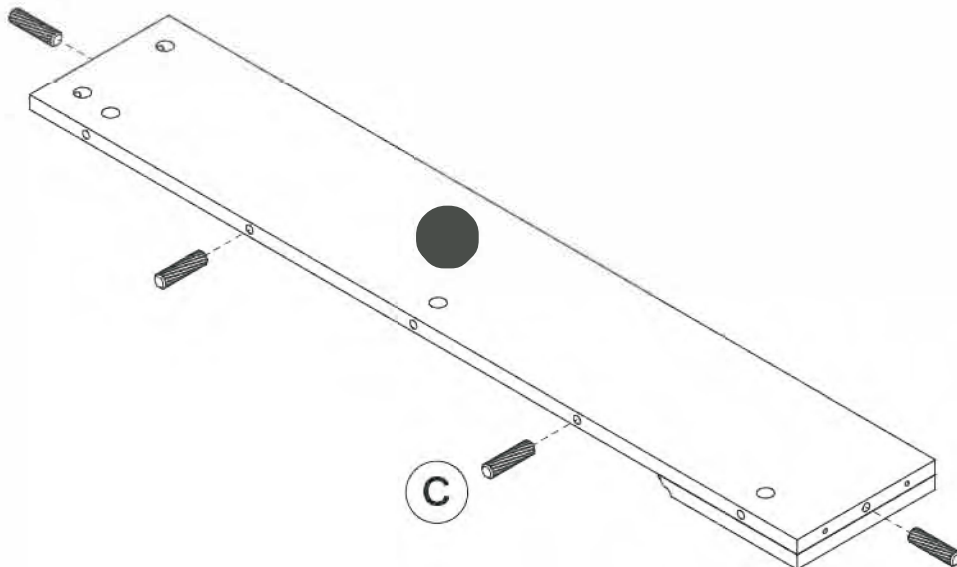


With the front left leg (5) and the front right leg (6) laid out in the correct position, carefully place the sub assembly previously made onto of the rear of both the left and right hand legs (5,6). Line all 10x screw holes in the top sub assembly and both legs (6,5). Once lined up screw 10x3.5x25mm screws (G) with a cross headed screw driver from the rear to secure together.

STEP 7

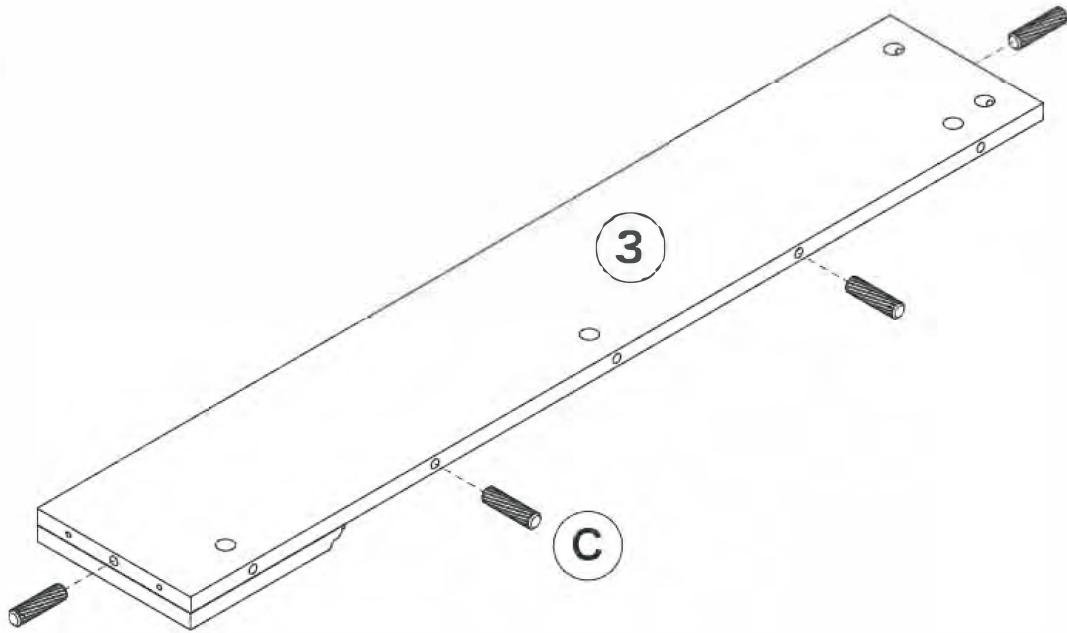


C x 4



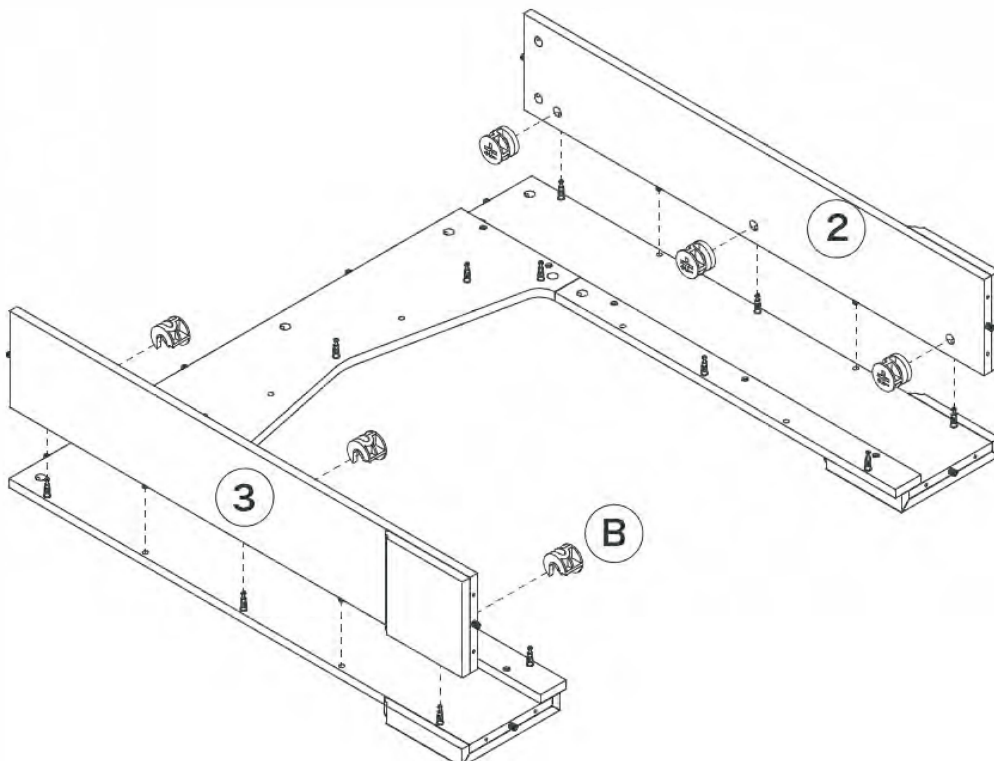
Insert 4x 8x40mm wooden dowels (C) with some glue into the end of the left hand leg (2).

STEP 8



Insert 4x 8x40mm wooden dowels (C) with some glue into the end of the right hand leg (3).

STEP 9

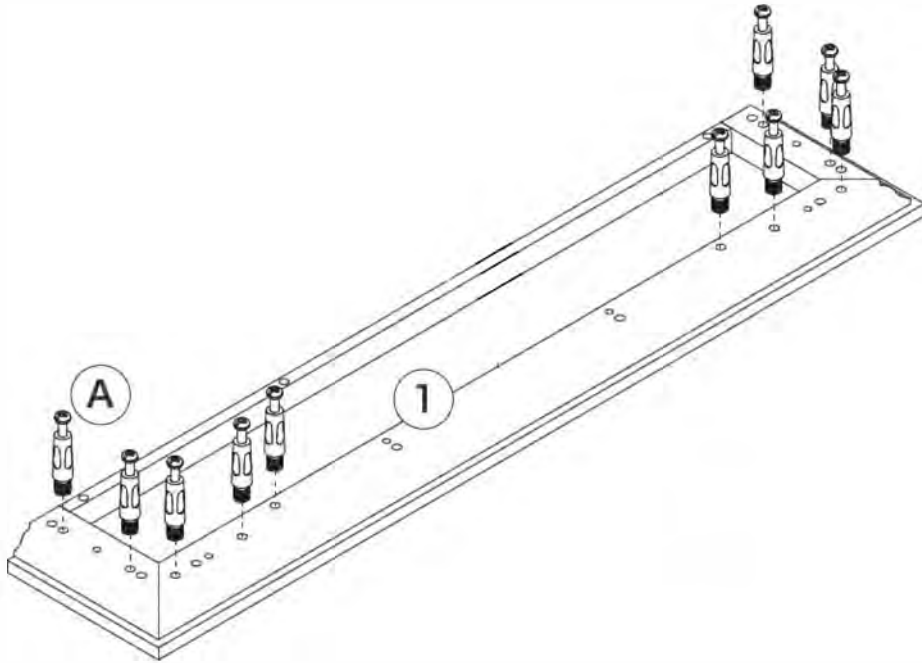


Line the 8x40mm wooden dowels (C) on the left and right hand legs (2,3) with the dowel holes in the sub assembly. Also inserting the 6x single headed cam bolts (A) from the sub assembly into the left and right hand legs (2,3). Insert 3x cam locks (B) into the internal side of the left and right hand legs (2,3). Once inserted carefully tighten with a cross headed screw driver.

STEP 10



A x 10

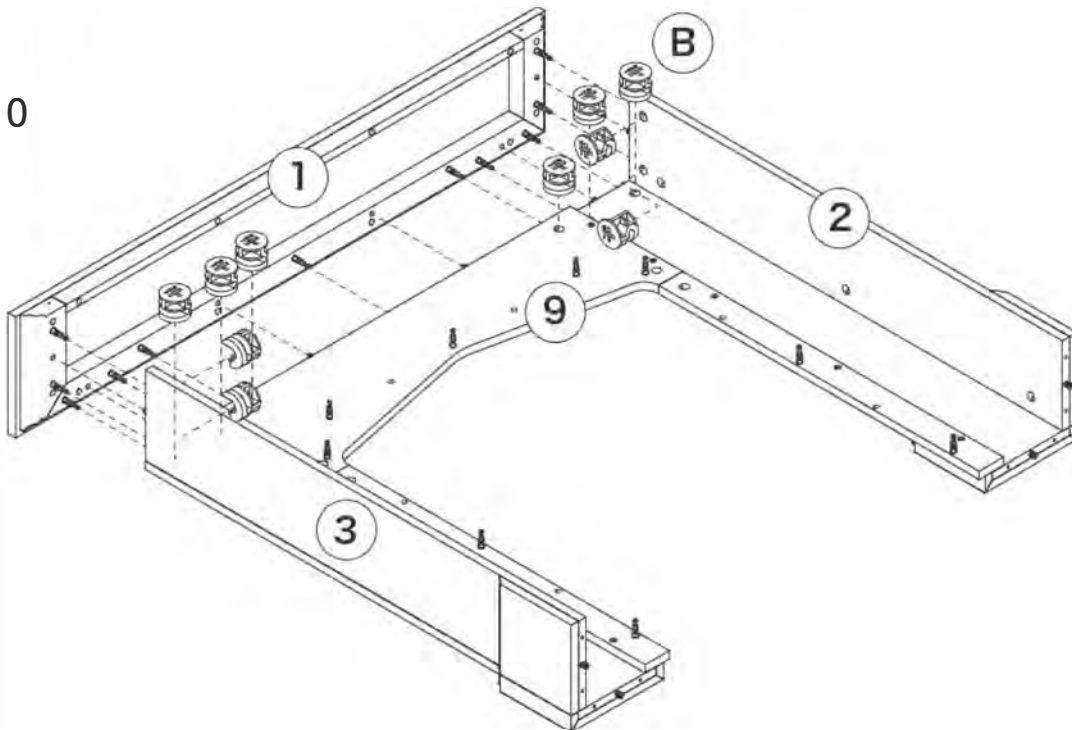


Insert 10x single headed cam bolts (A) with a cross headed screw driver into the underside of the top panel (1).

STEP 11



B x 10



Insert all 10x cam bolts (A) on the top panel into the top of the cam bolt holes of the surround. Once pushed home, insert 10x cam locks (B) into the surround, then tighten into position with a cross headed screw driver.

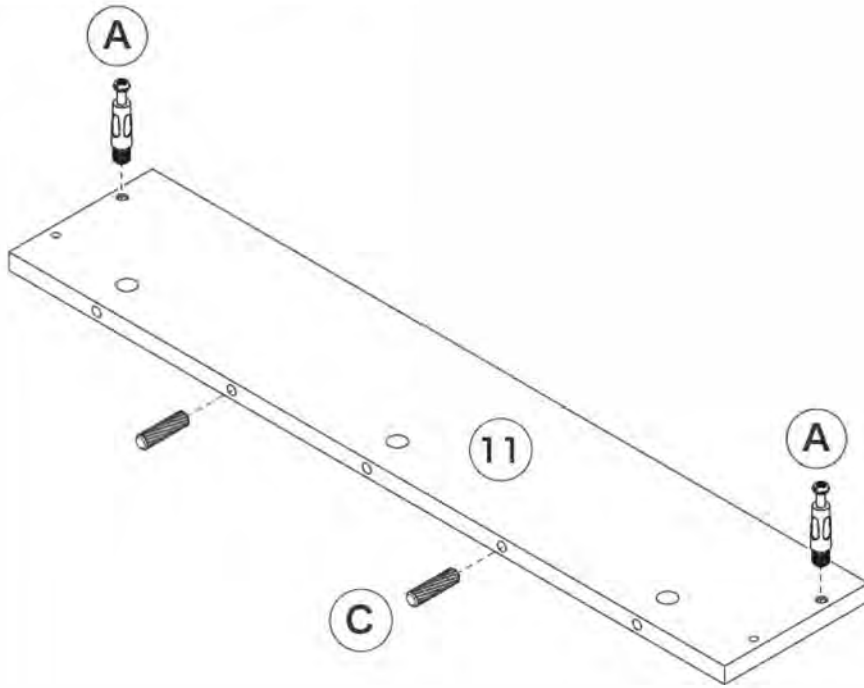
STEP 12



A x 2



C x 2



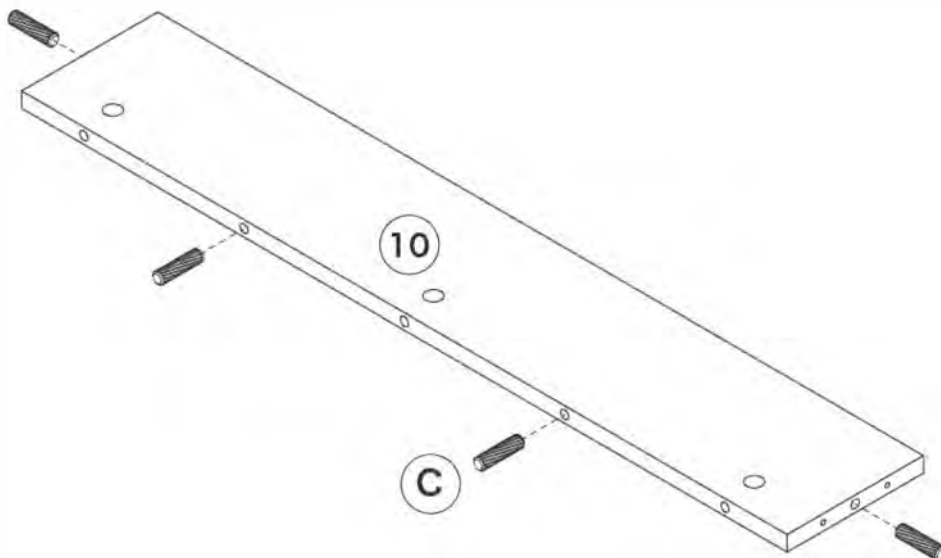
Insert 2x 8x40mm wooden dowels (C) with some glue into the end of the top rebate (11). With a cross headed screw driver insert 2x cam bolts (A) into the correct positions.

STEP 13



C x 8

x 2

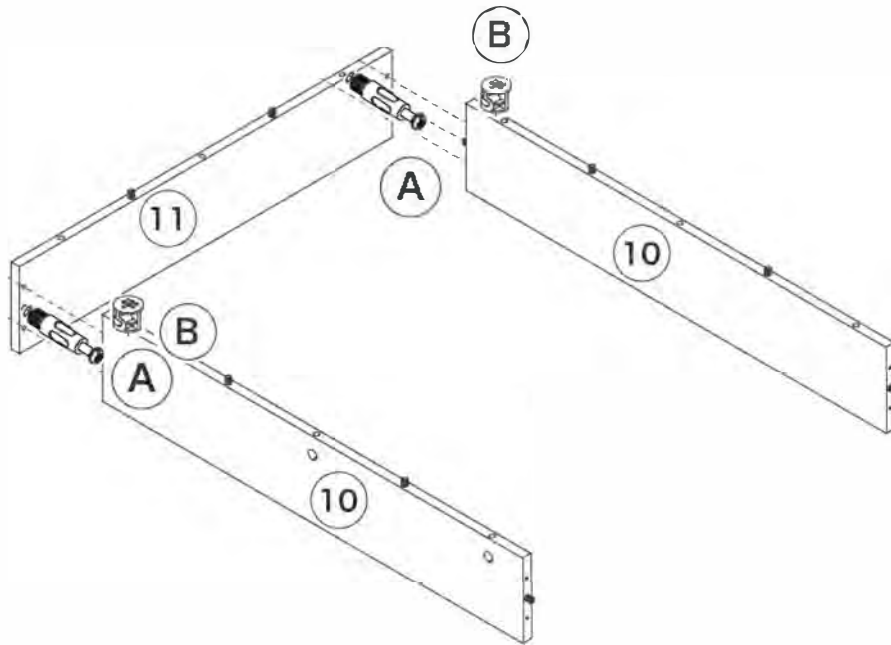


Insert 4x 8x 40mm wooden dowels (C) into the ends of the side rebates (10) repeat this process for the opposite side rebate (10).

STEP 14



B x 2

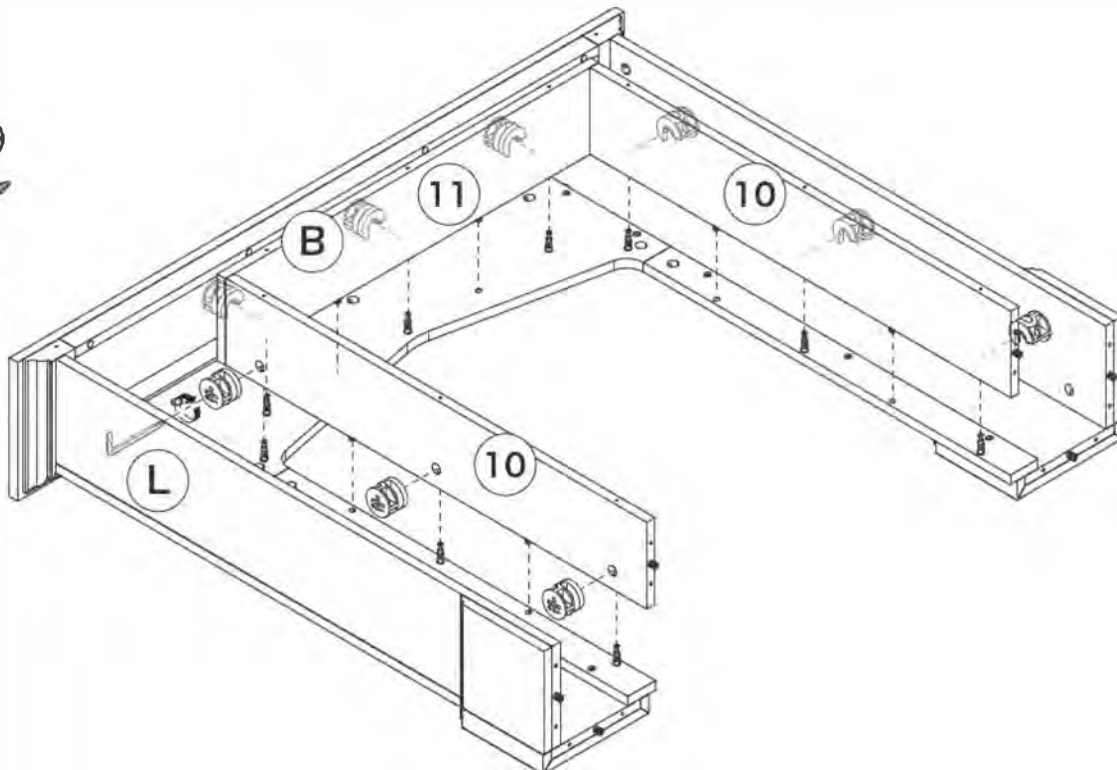


Stand both side rebates (10) on their ends, with the 8x40mm wooden dowels (C) facing up. Offer the top rebate (11) to the side rebates (10), inserting the single headed cam bolts (A) into the holes in side rebates (10). Insert the cam locks (B) into the side rebates (10) and tighten with a cross headed screw driver.

STEP 15



B x 9



With the surround facing downwards place the rebate sub assembly onto the rear of the front centre piece (9) and the inner left and right legs (7,8) Once the 8x40mm wooden dowels (C) are lined up with the holes in the centre top panel and the inner left and right legs (7,8) and the single headed cam bolts (A) from the inner centre piece (9) and the inner legs (7,8) line up with the holes in the three rebates, once fully in position insert 9x cam locks (B) in place and carefully tighten with the allen key (K) provided.

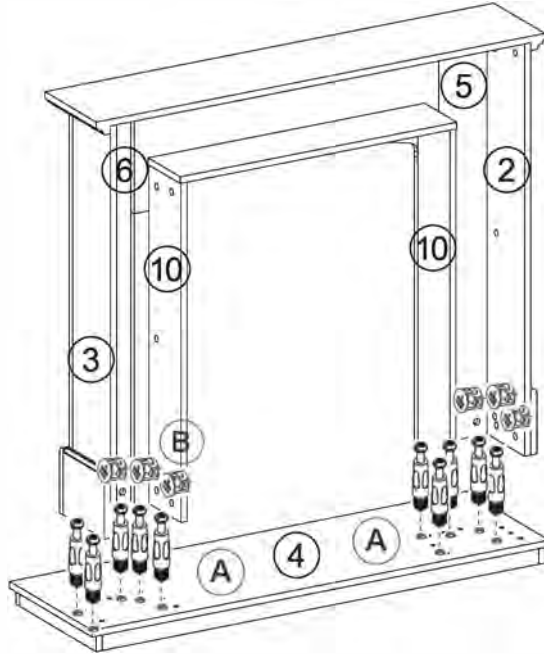
STEP 16



A x 10



B x 10

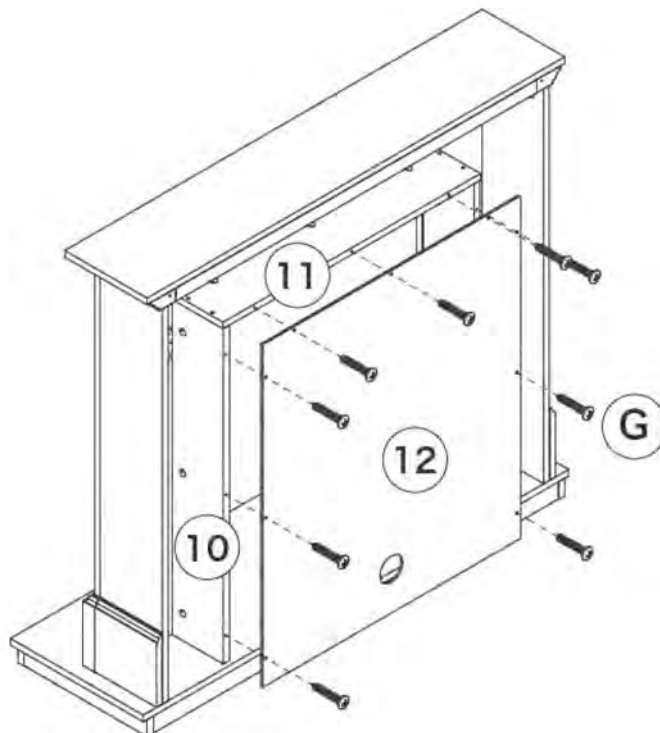


With a cross headed screw driver insert 10x single headed cam bolts into the hearth (4). Carefully lift the suite onto the hearth (4) ensuring that all 10x cam bolts (A) insert into the bottom of the suite correctly. Once in the correct position, insert 10x cam locks (B) into the suite and tighten with a cross headed screw driver.

STEP 17

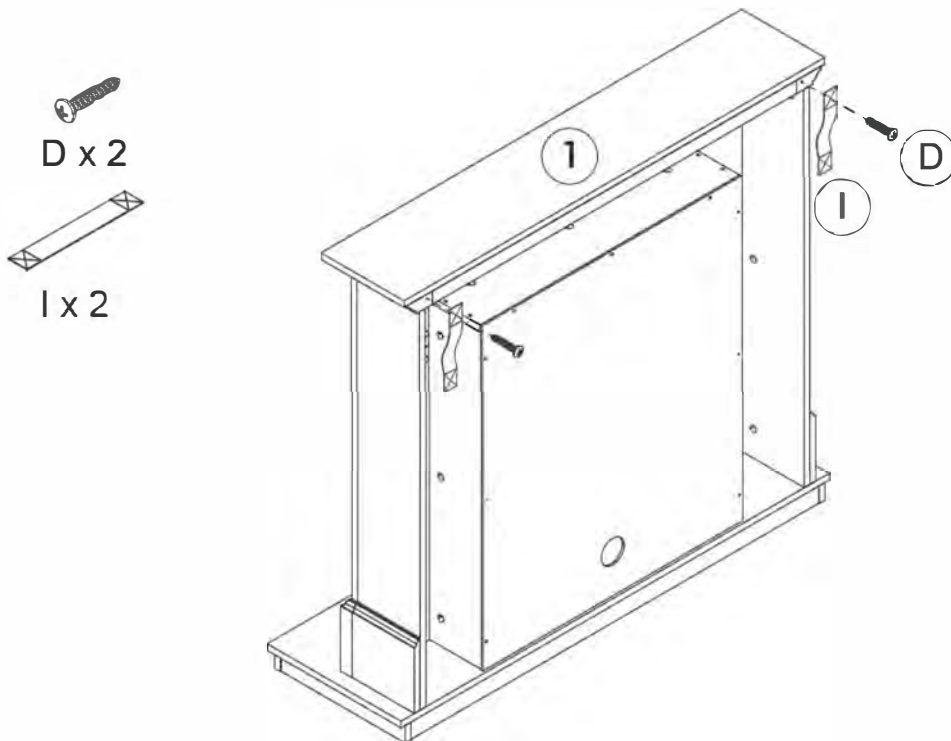


G x 9



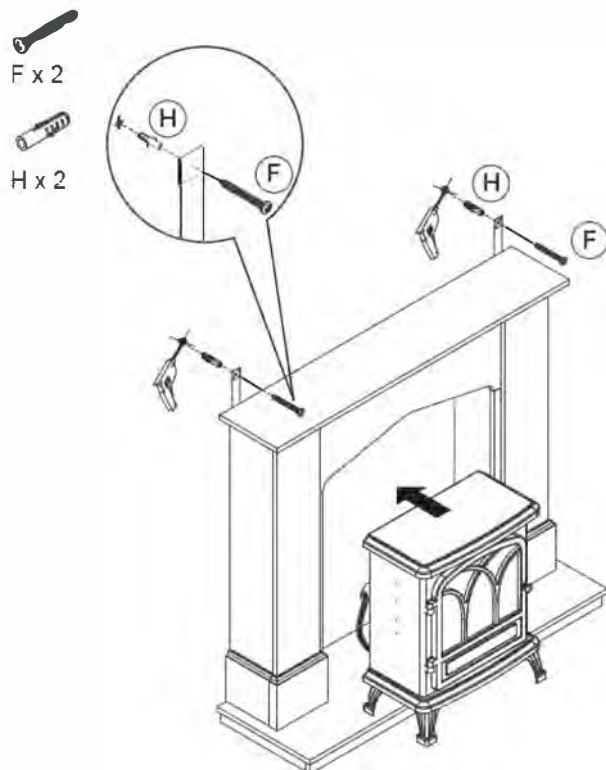
Offer the back panel (12) into position with the plug clearance hole at the bottom. Line the screw holes in the back panel (12) up with the screw holes of the back of the rebates (11, 10). Once aligned, screw the 9x 3.5x25mm screws (G) with a cross headed screwdriver into position.

STEP 1



To avoid splitting the rear of the suite pre drill the holes. Now attach the fixing strap (I) to the rear of the suite using the 4x12mm screws (D).

STEP 2



Once the fixing straps are in position, centre and level the suite into its final fitting position. Mark with a pencil on the wall where you wish to drill. Remove the suite from the position and prepare the wall from the marked positions. If using the fixings supplied (H), drill a pilot hole in the wall using a 6mm drill bit. If not, use a suitable drill bit for the wall plugs you are using. Insert the wall plugs (H) into position. Install the appliance onto the hearth and feed the mains cable through the hole in the back panel. Offer the surround back up into position against the wall. You are now able to secure the surround to the wall using the screws (F) provided.

6.0 CLEANING/ FINISHING

GB IE

Before carrying out any of the following operations, ensure that the appliance is OFF and completely cold. Regularly clean around the appliance to ensure that dust, fluff, pet hair etc, are kept to a minimum. There are no other specific requirements for care, other than regular cleaning of the general appliance.

A wipe with a dry cloth is normally sufficient. **DO NOT** use abrasive cleaners as they can damage the finish. Test in a hidden part before cleaning. Clean only in the direction of the grain. Regularly check the surround is securely fixed in position.

7.0 GUARANTEE - TERMS AND CONDITIONS

The 3 year guarantee commences from the date of purchase, provided that the following 3 terms and conditions are adhered to:

Registration is not required.

1. For any claim to be made within the 3 years from date of purchase you will be required to provide and supply us with your proof of purchase.
2. Your gas fire must have been commissioned by a CORGI/Gas Safe* registered installer, evidence of which you must provide together with the CORGI/Gas Safe* registration number.
3. Your appliance must have been serviced annually, irrespective of use, by a CORGI/Gas Safe* registered installer, evidence of which must be provided, such as the receipt.

Please note all consumable items such as any ceramics including; coals, pebbles, the matrix, front strips, side cheeks, rear panels and tapered rear panels are not covered by the 3 year guarantee. For all Electric fires purchased the 3 year guarantee commences from the date of purchase, providing that you can supply the proof of purchase. This does not cover consumable items such as pebbles, coals or light bulbs.

Making a claim is easy.

If you wish to make a claim under our 3 year guarantee and all the terms and conditions for your product have been met then please submit the following information for the attention of the 3G Service Department to the address below. Alternatively, you can email or fax. Please note that this does not affect your statutory rights.

Focal Point Fires Ltd, 3G Service Department, Reid Street, Christchurch, Dorset, BH23 2BT.
Alternatively email: 3g@focalpointfires.co.uk or fax. 01202 499326.

1. Name, full address including post code and contact telephone number.
2. Receipt of purchase or credit card statement.
3. Original installers CORGI/Gas Safe* registration number (gas fires only).
4. Annual service receipt for every 12 months (gas fires only).

*Gas Safe Register replaced CORGI as the gas registration body in Great Britain and the Isle of Man on 1st April 2009.

Disclaimer:

The components of this mantle are veneered MDF. As such, it is likely that there will be variations in the appearance, texture, grain structure and colour etc., of the individual components.

Caution: Wood products may produce splinters, so care should be taken during assembly.

Warning: This mantle is not designed for heavy use. Care should be taken to distribute weight evenly.

Note: Wall plugs supplied are for masonry or solid wall fixing only. For any other type of wall seek professional advice.