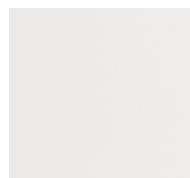


# Mira Flight Level

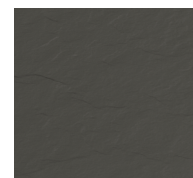
## Quadrant Tray



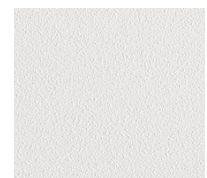
Sleek, flexible and considered in every sense, the Mira Flight shower tray has minimal 25 mm tray height, creating the ultimate wetroom look.



White (WH)



Slate (SS4)



Antislip (AS)

### Product Information

Description	Colour/Finish	Product No.
Mira Quadrant Tray 800x800 0 Upstands	White	1.1898.085.WH
	Slate	1.1898.085.SS4
	Antislip	1.1898.085.AS
Mira Quadrant Tray 900x900 0 Upstands	White	1.1898.088.WH
	Slate	1.1898.088.SS4
	Antislip	1.1898.088.AS
Mira Quadrant Tray 1000x1000 0 Upstands	White	1.1898.099.WH
	Slate	1.1898.099.SS4
	Antislip	1.1898.099.AS
Mira Quadrant Tray 1200x900 0 Upstands	White	RH=1.1898.117.WH
	Slate	RH=1.1898.117.SS4
	Antislip	RH=1.1898.117.AS
Mira Quadrant Tray 1200x900 0 Upstands	White	LH=1.1898.114.WH
	Slate	LH=1.1898.114.SS4
	Antislip	LH=1.1898.114.AS

### Features & Benefits

#### Product Features

The minimal 25 mm tray height creates the ultimate wetroom look at a fraction of the cost

Discreet side waste for a minimal style and maximum standing area

Unique waste design allows choice of horizontal or vertical outlet pipe connection

Water seal of 50 mm within waste trap

The removable waste trap makes cleaning easier and catches stray hairs, helping to prevent blockages

Waste performance 30 l/min @ 10 mm, 40 l/min @ 15 mm head height

Flight technology reduces weight and increases robustness

BioCote® technology fights mould and bacteria, reducing it by upto 99.9%

Designed to perfectly complement the Mira Ascend Shower enclosure range

### Material

#### Product Material

Polyconcrete core

Acrylic surface

BioCote® incorporated

### Installation

#### Product Installation

The innovative honeycomb back skin reduces the tray's weight and adds strength, making it stronger yet lighter

The level tray can be fitted flush to the floor, surface mounted, or installed on riser legs

The oblong waste design easily fits between floor joists and the waste pipe can be connected horizontally or vertically for flexible installation

### Codes/Standards

#### Product Codes/Standards

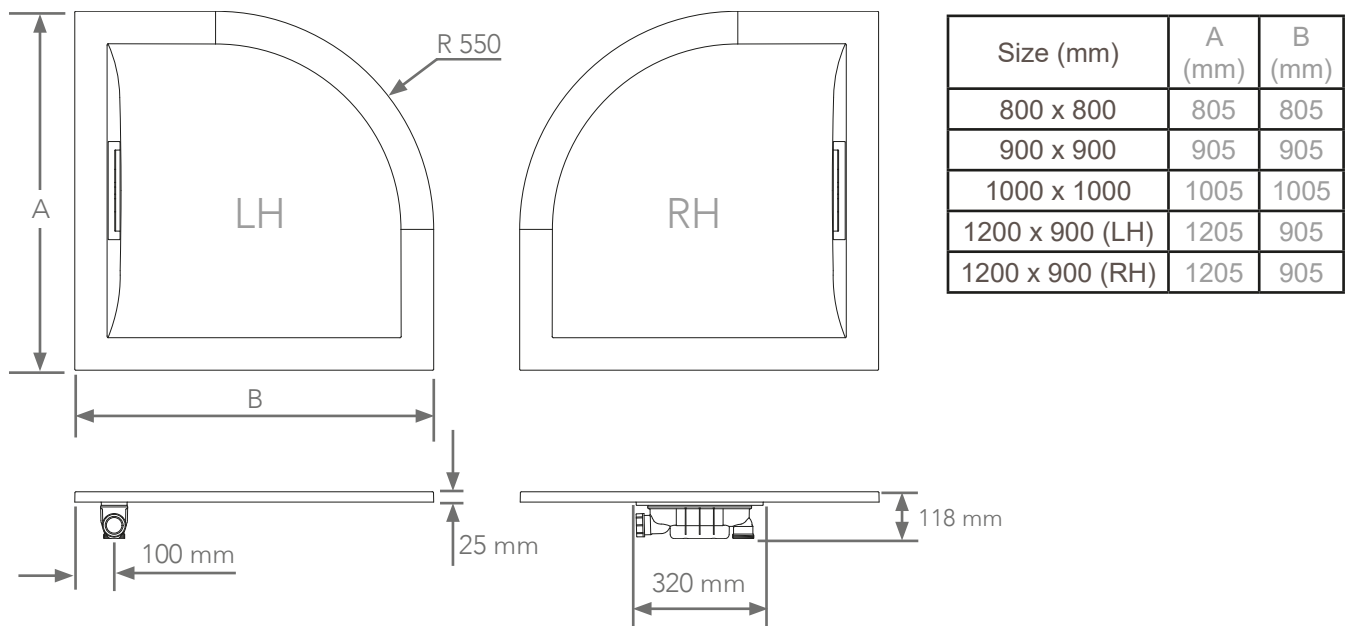
BS EN 14527:2016

The only level tray on the market with a waste that meets NHBC building regulations

### Product Weight

Description	Weight (Kg)
Quadrant Tray 800 x 800	18
Quadrant Tray 900 x 900	21.65
Quadrant Tray 1000 x 1000	25
Quadrant Tray 1200 x 900	41.6

## Quadrant Tray



## Waste Assembly

Note: Waste assembly can be fitted reversed, if required.

