

Robert Bosch Power Tools GmbH
70538 Stuttgart
GERMANY

www.bosch-pt.com

1 609 92A 4Z4 (2019.02) 0 / 44



1 609 92A 4Z4

GAL 12V-40 Professional

 **BOSCH**

en Original instructions

fr Notice originale

pt Manual original

es Manual original

pt Manual de instruções original

zh 正本使用说明书

zh 原始使用說明書

th หนังสือคู่มือการใช้งานฉบับต้นแบบ

id Petunjuk-Petunjuk untuk Penggunaan Orisinal

vi Bản gốc hướng dẫn sử dụng

ar دليل التشغيل الأصلي

fa دفترچه راهنمای اصلی

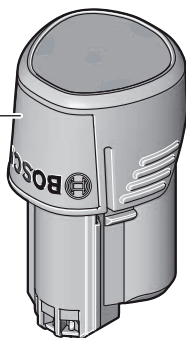
English	Page	4
Français	Page	9
Português	Página	12
Español	Página	15
Português do Brasil	Página	18
中文	頁	21
繁體中文	頁	24
ไทย	หน้า	27
Bahasa Indonesia	Halaman	30
Tiếng Việt	Trang	33
عربي	الصفحة	37
آفارسی	صفحه	41



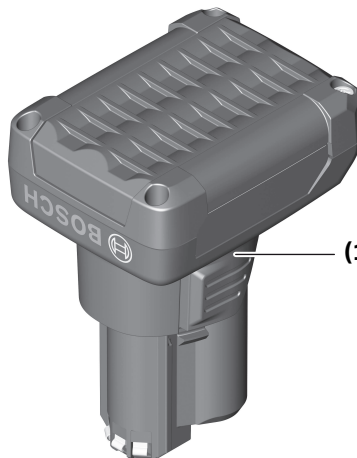
GBA 12 V 4,0 Ah
GBA 12 V 6,0 Ah

GBA 12 V...

(1)



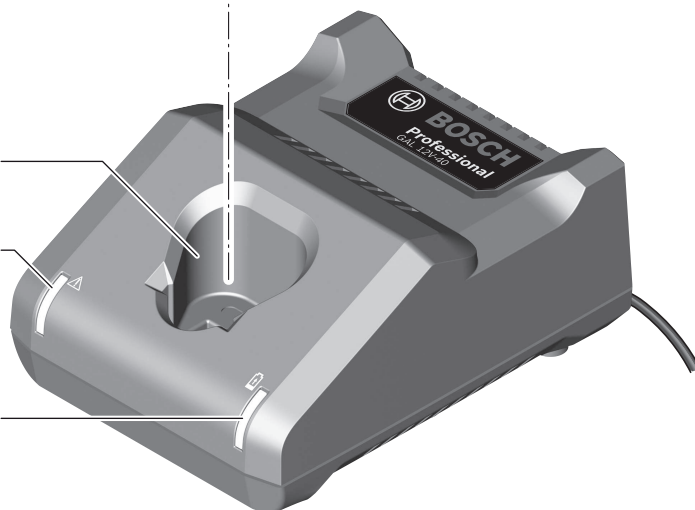
(1)



(2)

(3)

(4)



GAL 12V-40

English

Safety instructions



Read all the safety and general instructions. Failure to observe the safety and general instructions may result in electric shock,

fire and/or serious injury.

Store these instructions in a safe place.

Only use the charger if you can fully evaluate all functions and carry them out without restrictions, or if you have received corresponding instructions.

- ▶ **This charger is not intended for use by children or persons with physical, sensory or mental limitations or a lack of experience or knowledge. This charger can be used by children aged 8 or older and by persons who have physical, sensory or mental limitations or a lack of experience or knowledge if a person responsible for their safety supervises them or has instructed them in the safe operation of the charger and they understand the associated dangers.** Otherwise, there is a risk of operating errors and injuries.
- ▶ **Supervise children during use, cleaning and maintenance.** This will ensure that children do not play with the charger.
- ▶ **Only charge Bosch Li-Ion batteries with a capacity of 2.0 Ah or more (3 battery cells or more). The battery voltage must match the battery charging voltage of the charger. Do not charge any non-re-**

chargeable batteries. Otherwise there is a risk of fire and explosion.



Do not expose the charger to rain or wet conditions. Water entering a power tool will increase the risk of electric shock.

- ▶ **Keep the charger clean.** Dirt poses a risk of electric shock.
- ▶ **Always check the charger, cable and plug before use. Stop using the charger if you discover any damage. Do not open the charger yourself, and have it repaired only by a qualified specialist using only original replacement parts.** Damaged chargers, cables and plugs increase the risk of electric shock.
- ▶ **Do not operate the charger on an easily ignited surface (e.g. paper, textiles, etc.) or in a flammable environment.** There is a risk of fire due to the charger heating up during operation.
- ▶ **Do not cover the ventilation slots of the charger.** Otherwise, the charger may overheat and no longer function properly.
- ▶ **Recharge only with the charger specified by the manufacturer.** A charger that is suitable for one type of battery pack may create a risk of fire when used with another battery pack.
- ▶ **In case of damage and improper use of the battery, vapours may also be emitted.** Ensure the area is well-ventilated and seek medical attention should you experience any adverse effects. The vapours may irritate the respiratory system.
- ▶ **Under abusive conditions, liquid may be ejected from the battery; avoid contact. If contact accidentally occurs, flush with water. If liquid contacts eyes, additionally seek medical help.** Liquid ejected from the battery may cause irritation or burns.

Products sold in GB only:

Your product is fitted with an BS 1363/A approved electric plug with internal fuse (ASTA approved to BS 1362).

If the plug is not suitable for your socket outlets, it should be cut off and an appropriate plug fitted in its place by an authorised customer service agent. The replacement plug should have the same fuse rating as the original plug.

The severed plug must be disposed of to avoid a possible shock hazard and should never be inserted into a mains socket elsewhere.

Product description and specifications

Product features

The numbering of the components shown refers to the diagram of the charger on the graphics page.

- (1) Battery ^{A)}

- (2) Charging slot
- (3) Red battery charge level indicator
- (4) Green battery charge level indicator

A) **Accessories shown or described are not included with the product as standard. You can find the complete selection of accessories in our accessories range.**

Technical Data

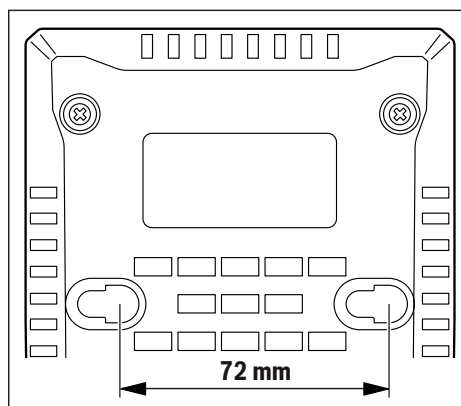
Charger		GAL 12V-40
Article number		2 607 226 2..
Battery charging voltage (automatic voltage detection)	V _~	10.8 – 12
Charge current	A	4.0
Permitted charging temperature range	°C	0 – 45
Charge time at battery capacity, approx.		(80%) / 100%
– 2.0 Ah	min	(24) / 35
– 3.0 Ah	min	(36) / 50
– 4.0 Ah	min	(48) / 65
– 6.0 Ah	min	(72) / 95
Number of battery cells		3 – 6
Weight according to EPTA-Procedure 01:2014	kg	0,45
Protection class		□ / II ^A)

A) not valid for article number **2 607 226 227**

Operation

Wall mounting

The charger can be used either free-standing (for use on a desktop) or mounted on the wall.
When affixing to the wall: Drill two holes, leaving a clearance as specified in the image.
To secure it, use round-head screws with a diameter of 5 mm to max. 6.5 mm.



Start-up

► **Note the mains voltage!** The voltage of the power source must match the voltage specified on the rating plate of the charger. Chargers marked with 230 V can also be operated with 220 V.

Charging process

The charging process begins as soon as the mains plug for the charger is inserted into the mains socket and the battery (1) is inserted into the charging slot (2).

Thanks to the intelligent charging process, the charge condition of the battery is automatically detected and then charged up with the optimal charge current depending on battery temperature and voltage.

In this way, the battery is treated with care and remains permanently fully charged when it is stored in the charger.

What the display elements mean

Flashing green battery charge level indicator (4)



The rapid-charging procedure is indicated by **flashing** of the **green** battery charge level indicator (4). The battery can be removed at any time and used.

Note: The charging process is only possible when the temperature of the battery is within the permitted charging temperature range, see section "Technical data".



Once approx. 80% of the battery capacity has been reached, the flashing of the green battery charge indicator slows down. The rapid-charging process is now completed. If the battery remains in the charger, the charging process will be completed in the Long Life charging mode.

Continuously illuminated green battery charge level indicator (4)



The continuous light of the green battery charge level indicator (4) signals that the battery is fully charged.

The battery can then be removed for immediate use.

When there is no battery connected, the continuous light of the battery charge level indicator (4) indicates that the mains plug is plugged into the mains socket and that the charger is ready to be used.

Continuously illuminated red battery charge level indicator (3)



The continuous light of the red battery charge level indicator (3) shows that the temperature of the battery is outside of the permitted charging temperature range, see section "Technical data". The charging process begins as soon as the permitted temperature range has been reached.

Flashing red battery charge level indicator (3)



The flashing light of the red battery charge level indicator (3) signals that the charging process has been interrupted by a different fault, see section "Errors – causes and corrective measures".

Errors – causes and corrective measures

Cause	Corrective measures
Red battery charge level indicator (3) is flashing	
Charging not possible	
The battery is not connected (correctly)	Connect battery to charger correctly
Battery contacts are dirty	Clean battery contacts; e.g. by connecting and disconnecting the battery several times. Replace battery if necessary
Battery defective	Replace battery
Green battery charge level indicator (4)/Red battery charge level indicator (3) is not illuminated	
Mains plug of the charger is not (correctly) plugged in	Insert the mains plug into the mains socket (completely)
Socket outlet, mains cable or charger defective	Check mains voltage, have charger checked if necessary by an authorised after-sales service centre for Bosch power tools

Practical advice

When the charger is used continuously, or for several consecutive charge cycles without interruption, the charger may heat up. This is, however, harmless and does not indicate that the charger has a technical defect.

A significantly reduced operating time after charging indicates that the battery has deteriorated and must be replaced.

Maintenance and Service

Maintenance and cleaning

In order to avoid safety hazards, if the power supply cord needs to be replaced, this must be done by **Bosch** or by an after-sales service centre that is authorised to repair **Bosch** power tools.

After-Sales Service and Application Service

Our after-sales service can answer questions concerning product maintenance and repair, as well as spare parts. You can find exploded drawings and information on spare parts at: www.bosch-pt.com

The Bosch product use advice team will be happy to help you with any questions about our products and their accessories.

www.powertool-portal.de, the internet portal for tradespeople and DIY enthusiasts.

In all correspondence and spare parts orders, please always include the 10-digit article number given on the type plate of the product.

Cambodia

Robert Bosch (Cambodia) Co., Ltd
Unit 8BC, GT Tower, 08th Floor, Street 169,
Czechoslovakia Blvd, Sangkat Veal Vong
Khan 7 Makara, Phnom Penh
VAT TIN: 100 169 511
Tel.: +855 23 900 685
Tel.: +855 23 900 660
www.bosch.com.kh

People's Republic of China China Mainland

Bosch Power Tool (China) Co. Ltd.
Bosch Service Center
567, Bin Kang Road
Bin Kang District
Hangzhou, Zhejiang Province
China 310052
Tel.: (0571) 8887 5566 / 5588
Fax: (0571) 8887 6688 x 5566# / 5588#
E-mail: bsc.hz@cn.bosch.com
www.bosch-pt.com.cn

HK and Macau Special Administrative Regions

Robert Bosch Co. Ltd.
21st Floor, 625 King's Road
North Point, Hong Kong
Customer Service Hotline: +852 2101 0235
Fax: +852 2590 9762
E-mail: info@hk.bosch.com
www.bosch-pt.com.hk

India

Bosch Service Center
69, Habibullah Road, (next to PSBB School), T. Nagar
Chennai-600077
Phone: (044) 64561816
Bosch Service Center Rishyamook
85A, Panchkuin Road

New Delhi-110001
 Phone: (011) 43166190
 Bosch Service Center 79,
 Crystal Bldg., Dr. Annie Besant Road, Worli
 Mumbai-400018
 Phone: (022) 39569936 / (022) 39569959 /
 (022) 39569967 / (022) 24952071

Indonesia

PT Robert Bosch
 Palma Tower 10th Floor
 Jalan RA Kartini Il-S Kaveling 6
 Pondok Pinang, Kebayoran Lama
 Jakarta Selatan 12310
 Tel.: (21) 3005-5800
 www.bosch-pt.co.id

Malaysia

Robert Bosch Sdn. Bhd.(220975-V) PT/SMY
 No. 8A, Jalan 13/6
 46200 Petaling Jaya
 Selangor
 Tel.: (03) 79663194
 Toll-Free: 1800 880188
 Fax: (03) 79583838
 E-mail: kiathoe.chong@my.bosch.com
 www.bosch-pt.com.my

Pakistan

Robert Bosch Middle East FZE – Pakistan Liaison Office
 2nd Floor Plaza # 10, CCA Block, DHA Phase 5
 Lahore, 54810
 Phone: +92(303)4444311
 E-mail: Faisal.Khan@bosch.com

Philippines

Robert Bosch, Inc.
 28th Floor Fort Legend Towers,
 3rd Avenue corner 31st Street,
 Fort Bonifacio, Global City,
 1634 Taguig City
 Tel.: (632) 8703871
 Fax: (632) 8703870
 www.bosch-pt.com.ph

Singapore

Powerwell Service Centre Ptd Ltd
 Bosch Authorised Service Centre (Power Tools)
 4012 Ang Mo Kio Ave 10, #01-02 TECHplace
 Singapore 569628
 Tel.: 6452 1770
 Fax: 6452 1760
 E-mail: ask@powerwellsc.com
 www.powerwellsc.com
 www.bosch-pt.com.sg

Thailand

Robert Bosch Ltd.
 Liberty Square Building
 No. 287, 11 Floor
 Silom Road, Bangrak
 Bangkok 10500
 Tel.: 02 63931111

Fax: 02 2384783
 Robert Bosch Ltd., P. O. Box 2054
 Bangkok 10501
 www.bosch.co.th
 Bosch Service – Training Centre
 La Salle Tower Ground Floor Unit No.2
 10/11 La Salle Moo 16
 Srinakharin Road
 Bangkaew, Bang Plee
 Samutprakarn 10540
 Tel.: 02 7587555
 Fax: 02 7587525

Vietnam

Branch of Bosch Vietnam Co., Ltd in HCMC
 14th floor, Deutsches Haus, 33 Le Duan
 Ben Nghe Ward, District 1, Ho Chi Minh City
 Tel.: (028) 6258 3690
 Fax: (028) 6258 3692 - 6258 3694
 Hotline: (028) 6250 8555
 E-mail: tuvankhachhang-pt@vn.bosch.com
 www.bosch-pt.com.vn

Armenia, Azerbaijan, Georgia, Kyrgyzstan, Mongolia, Tajikistan, Turkmenistan, Uzbekistan

TOO "Robert Bosch" Power Tools, After Sales Service
 Rayimbek Ave., 169/1
 050050, Almaty, Kazakhstan
 Service e-mail: service.pt.ka@bosch.com
 Official website: www.bosch.com, www.bosch-pt.com

Bahrain

Hatem Al Juffali Technical Equipment Establishment.
 Kingdom of Bahrain, Setra Highway, Al Aker Area
 Phone: +966126971777-311
 Fax: +97317704257
 E-mail: h.berjas@ejab.com.sa

Egypt

RBEG-LLC
 22 Kamal Eldin Hussein
 Sheraton Heliopolis
 11799 Cairo
 E-mail: boschegypt.powertools@eg.bosch.com

Iran

Robert Bosch Iran
 3rd Floor, No 3, Maadiran Building
 Aftab St., Khodami St., Vanak Sq.
 Tehran 1994834571
 Phone: +9821 86092057

Iraq

Sahba Technology Group
 Al Muthana airport road
 Baghdad
 Phone: +9647901906953
 Phone Dubai: +97143973851
 E-mail: bosch@sahbatechnology.com

Jordan

Roots Arabia – Jordan
 Nasser Bin Jameel street, Building 37 Al Rabiah
 11194 Amman

Phone: +962 6 5545778
E-mail: bosch@rootsjordan.com

Kuwait

Al Qurain Automotive Trading Company
Shuwaikh Industrial Area, Block 1, Plot 16, Street 3rd
P.O. Box 164 – Safat 13002
Phone: 24810844
Fax: 24810879
E-mail: josephkr@aaalmutawa.com

Lebanon

Tehini Hana & Co. S.A.R.L.
P.O. Box 90-449
Jdeideh
Dora-Beirut
Phone: +9611255211
E-mail: service-pt@tehini-hana.com

Libya

El Naser for Workshop Tools
Swanee Road, Alfalah Area
Tripoli
Phone: +218 21 4811184

Oman

Malatan Trading & Contracting LLC
P.O. Box 131
Ruwi, 112 Sultanate of Oman
Phone: +968 99886794
E-mail: malatanpowertools@malatan.net

Qatar

International Construction Solutions W L L
P. O. Box 51,
Doha Phone: +974 40065458
Fax: +974 4453 8585
E-mail: csd@icsdoha.com

Saudi Arabia

Juffali Technical Equipment Co. (JTECO)
Kilo 14, Madinah Road, Al Bawadi District
Jeddah 21431
Phone: +966 2 6672222 Ext. 1528
Fax: +966 2 6676308
E-mail: roland@ejab.com.sa

Syria

Dallal Establishment for Power Tools
P.O. Box 1030
Aleppo
Phone: +963212116083
E-mail: rita.dallal@hotmail.com

United Arab Emirates

Central Motors & Equipment LLC, P.O. Box 1984
Al-Wahda Street – Old Sana Building
Sharjah
Phone: +971 6 593 2777
Fax: +971 6 533 2269
E-mail: powertools@centralmotors.ae

Yemen

Abualrejal Trading Corporation
Sana'a Zubieri St. Front to new Parliament Building

Phone: +967-1-202010
Fax: +967-1-279029
E-mail: tech-tools@abualrejal.com

Ethiopia

Forever plc
Kebele 2,754, BP 4806,
Addis Ababa
Phone: +251 111 560 600
E-mail: foreverplc@ethionet.et

Ghana

Peew-Williams Services Company Ltd
Mile 7, Plot 331, Before Achimota Mall.
Accra
Tel. +233 5 52 35 25 11
E-mail: info@peew-williams.com

Kenya

Robert Bosch East Africa Ltd
Mpaka Road P.O. Box 856
00606 Nairobi

Nigeria

Robert Bosch Nigeria Ltd.
52–54 Isaac John Street P.O. Box
GRA Ikeja – Lagos

Republic of South Africa

Customer service

Hotline: (011) 6519600

Gauteng – BSC Service Centre

35 Roper Street, New Centre
Johannesburg
Tel.: (011) 4939375
Fax: (011) 4930126
E-mail: bsctools@icon.co.za

KZN – BSC Service Centre

Unit E, Almar Centre
143 Crompton Street
Pinetown
Tel.: (031) 7012120
Fax: (031) 7012446
E-mail: bsc.dur@za.bosch.com

Western Cape – BSC Service Centre

Democracy Way, Prosperity Park
Milnerton
Tel.: (021) 5512577
Fax: (021) 5513223
E-mail: bsc@zsd.co.za

Bosch Headquarters

Midrand, Gauteng
Tel.: (011) 6519600
Fax: (011) 6519880
E-mail: rbsa-hq.pts@za.bosch.com

Tanzania

Diesel & Autoelectric Service Ltd.
117 Nyerere Rd., P.O. Box 70839
Vingunguti 12109, Dar Es Salaam
Phone: +255 222 861 793/794

Australia, New Zealand and Pacific Islands

Robert Bosch Australia Pty. Ltd.
 Power Tools
 Locked Bag 66
 Clayton South VIC 3169
 Customer Contact Center
 Inside Australia:
 Phone: (01300) 307044
 Fax: (01300) 307045
 Inside New Zealand:
 Phone: (0800) 543353
 Fax: (0800) 428570
 Outside AU and NZ:
 Phone: +61 3 95415555
 www.bosch-pt.com.au
 www.bosch-pt.co.nz

Disposal

Chargers, accessories and packaging should be recycled in an environmentally friendly manner.



Do not dispose of chargers along with household waste.

Français**Consignes de sécurité**

Lisez attentivement toutes les instructions et consignes de sécurité. Le non-respect des instructions et consignes de sécurité

peut provoquer un choc électrique, un incendie et/ou entraîner de graves blessures.

Garder précieusement ces instructions.

N'utilisez le chargeur qu'après vous être familiarisé avec toutes ses fonctions et que vous êtes capable de l'utiliser sans réserves ou après avoir reçu des instructions correspondantes.

- **Ce chargeur n'est pas prévu pour être utilisé par des enfants ni par des personnes souffrant d'un handicap physique, sensoriel ou mental ou manquant d'expérience ou de connaissances. Ce chargeur peut être utilisé par les enfants (âgés d'au moins 8 ans) et par les**

personnes souffrant d'un handicap physique, sensoriel ou mental ou manquant d'expérience ou de connaissances, lorsque ceux-ci sont sous la surveillance d'une personne responsable de leur sécurité ou après avoir reçu des instructions sur la façon d'utiliser le chargeur en toute sécurité et après avoir bien compris les dangers inhérents à son utilisation. Il y a sinon risque de blessures et d'utilisation inappropriée.

- **Ne laissez pas les enfants sans surveillance lors de l'utilisation, du nettoyage et de l'entretien.** Faites en sorte que les enfants ne jouent pas avec le chargeur.
- **N'utilisez le chargeur que pour recharger des Boschaccus Lithium-ion d'une capacité d'au moins 2,0Ah (à partir des 3 cellules d'ac-cu). La tension des accus doit être adaptée à la tension de charge du chargeur. Ne rechargez pas de piles non rechargeables.** Il existe si-non un risque d'explosion et d'incen-die.



N'exposez pas le chargeur à la pluie ou à de l'humidité. La pénétration d'eau à l'intérieur d'un outil électropor-tatif augmente le risque de choc électrique.

- **Veillez à ce que le chargeur reste propre.** Un encrasse-ment augmente le risque de choc électrique.
- **Vérifiez l'état du chargeur, du câble et du connecteur avant chaque utilisation. N'utilisez pas le chargeur si vous constatez des dommages. N'ouvrez pas le chargeur vous-même. Ne confiez sa réparation qu'à un ré-parateur qualifié utilisant uniquement des pièces de rechange d'origine.** Lorsque le chargeur, le câble ou le connecteur présente un dommage, le risque de choc élec-trique augmente.

- ▶ **N'utilisez pas le chargeur sur un support facilement inflammable (par ex. papier, textile etc.) ou dans un environnement inflammable.** L'échauffement du chargeur peut provoquer un incendie.
- ▶ **Ne recouvrez pas les fentes d'aération du chargeur.** Le chargeur risque sinon de surchauffer et de ne plus fonctionner correctement.
- ▶ **Ne recharger qu'avec le chargeur spécifié par le fabricant.** Un chargeur qui est adapté à un type de bloc de batteries peut créer un risque de feu lorsqu'il est utilisé avec un autre type de bloc de batteries.
- ▶ **Si l'accu est endommagé ou utilisé de manière non conforme, des vapeurs peuvent s'échapper.** Ventilez le local et consultez un médecin en cas de malaise. Les vapeurs peuvent entraîner des irritations des voies respiratoires.
- ▶ **Dans de mauvaises conditions, du liquide peut être éjecté de la batterie; éviter tout contact. En cas de contact accidentel, nettoyer à l'eau. Si le liquide entre en contact avec les yeux, rechercher en plus une aide médicale.** Le liquide éjecté des batteries peut causer des irritations ou des brûlures.

Description des prestations et du produit

Éléments constitutifs

La numérotation des éléments se réfère à la représentation du chargeur sur la page graphique.

- (1) Accu ^{A)}
- (2) Logement de charge
- (3) Indicateur de charge rouge
- (4) Indicateur de charge vert

A) **Les accessoires décrits ou illustrés ne sont pas tous compris dans la fourniture. Vous trouverez les accessoires complets dans notre gamme d'accessoires.**

Caractéristiques techniques

Chargeur	GAL 12V-40	
Référence	2 607 226 2..	
Tension de charge de l'accu (détection automatique de la tension)	V _{DC}	10,8–12
Courant de charge	A	4,0
Plage de températures de charge admissible	°C	0–45
Temps de charge jusqu'à capacité de (approx.)	(80%) / 100%	
– 2,0 Ah	min	(24) / 35
– 3,0 Ah	min	(36) / 50
– 4,0 Ah	min	(48) / 65
– 6,0 Ah	min	(72) / 95

Chargeur	GAL 12V-40	
Nombre de cellules		3–6
Poids selon EPTA-Procédure 01:2014	kg	0,45
Indice de protection		□ / II ^{A)}

A) ne concerne pas la référence **2 607 226 227**

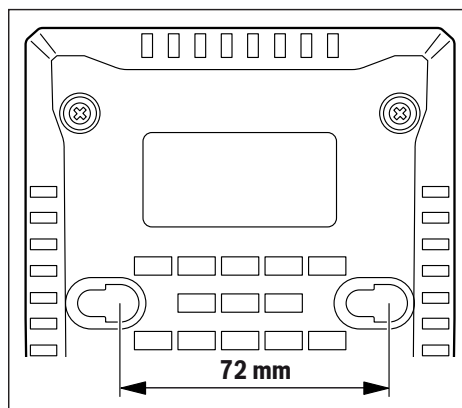
Utilisation

Montage mural

Le chargeur peut être utilisé soit posé sur un support plan (desktop use), soit accroché à un mur.

Pour la fixation à un mur : Percez deux trous espacés de la distance indiquée sur le dessin.

Fixez ensuite le chargeur avec deux vis à tête ronde d'un diamètre de 5 à 6,5 mm.



Mise en marche

- ▶ **Tenez compte de la tension secteur !** La tension du secteur doit correspondre aux indications figurant sur l'étiquette signalétique du chargeur. Les chargeurs marqués 230 V peuvent également fonctionner sur 220 V.

Charge normale

Le processus de charge commence dès que le câble d'alimentation du chargeur est raccordé à une prise de courant et que l'accu (1) a été placé dans le logement de charge (2).

Le procédé de charge intelligent permet de déterminer automatiquement l'état de charge de l'accu et de charger ce dernier avec le courant de charge optimal compte tenu de sa température et de sa tension.

L'accu est ainsi ménagé et il reste toujours entièrement chargé lorsqu'il est laissé dans le chargeur.

Signification des éléments d'affichage

Clignotement de l'indicateur de charge vert (4)



Le processus de charge rapide est signalé par le **clignotement** de l'indicateur de charge **vert**

(4). L'accu peut à tout moment être retiré et utilisé.

Remarque : Une recharge de l'accu n'est possible que si la température de l'accu se situe dans la plage de température de charge admissible, voir chapitre Caractéristiques techniques.



Dès que l'accu a retrouvé env. 80 % de sa capacité, l'indicateur de charge vert se met à clignoter plus lentement. Le processus de charge rapide est terminé. Si l'accu est laissé dans le chargeur, la charge se poursuit en mode « Long

Life ».

Allumage permanent de l'indicateur de charge vert (4)



L'allumage permanent de l'indicateur de charge vert (4) signale que l'accu est complètement chargé.

L'accu peut être retiré pour être utilisé immédiatement.

En l'absence d'accu dans le chargeur, l'allumage permanent de l'indicateur de charge (4) indique que le câble d'alimentation secteur est connecté à une prise de courant et que le chargeur est opérationnel.

Allumage permanent de l'indicateur de charge rouge (3)



L'allumage permanent de l'indicateur de charge rouge (3) signale que la température de l'accu n'est pas comprise dans la plage de températures de charge admissible, voir la section « Caractéristiques techniques ». La charge débute dès que la température se trouve à nouveau dans la plage de températures de charge admissible.

Clignotement de l'indicateur de charge rouge (3)



Le clignotement l'indicateur de charge rouge (3) signale la présence d'une anomalie lors du processus de charge, voir la section « Défauts – Causes et remèdes ».

Défauts – Causes et remèdes

Cause	Remède
L'indicateur de charge rouge (3) clignote	
Aucune charge possible	
L'accu n'a pas été (correctement) monté	Positionnez l'accu comme il se doit dans le chargeur
Contacts de l'accu encrassés	Nettoyez les contacts, p. ex. en mettant en place et retirant l'accu à plusieurs reprises. Remplacez l'accu si nécessaire
Accu défectueux	Remplacer l'accu
Les indicateurs de charge (4) et (3) ne s'allument pas	
Le câble d'alimentation secteur du chargeur n'est pas (correctement) branché	Raccordez comme il se doit le câble dans la prise de courant
Prise de courant, câble d'alimentation secteur ou chargeur défectueux	Vérifiez la tension du secteur. Si nécessaire, faites contrôler le chargeur dans un

Cause	Remède
	centre de service après-vente pour outillage électroportatif Bosch agréé

Instructions d'utilisation

Des cycles de charge répétés, non entrecoupés de temps de pause, peuvent provoquer un échauffement du chargeur. Un tel échauffement est sans conséquence et ne doit pas être interprété comme un dysfonctionnement du chargeur.

Une baisse notable de l'autonomie de l'accu au fil des recharges effectuées indique que l'accu est arrivé en fin de vie et qu'il doit être remplacé.

Entretien et Service après-vente

Nettoyage et entretien

Dans le cas où il s'avère nécessaire de remplacer le câble d'alimentation, confiez le remplacement à **Bosch** ou une station de Service Après-Vente agréée pour outillage **Bosch** afin de ne pas compromettre la sécurité.

Service après-vente et conseil utilisateurs

Notre Service après-vente répond à vos questions concernant la réparation et l'entretien de votre produit et les pièces de rechange. Vous trouverez des vues éclatées et des informations sur les pièces de rechange sur le site : www.bosch-pt.com

L'équipe de conseil utilisateurs Bosch se tient à votre disposition pour répondre à vos questions concernant nos produits et leurs accessoires.

www.powertool-portal.de, le portail Internet pour artisans et bricoleurs.

Pour toute demande de renseignement ou commande de pièces de rechange, précisez impérativement la référence à 10 chiffres figurant sur l'étiquette signalétique du produit.

Algérie

Siestal
Zone Industrielle lhaddaden
06000 Bejaia
Tel. : +213 (0) 982 400 991/2
Fax : +213 (0) 3 420 1569
E-Mail : sav@siestal-dz.com

Maroc

Robert Bosch Morocco SARL
53, Rue Lieutenant Mahrout Mohamed
20300 Casablanca
Tel. : +212 5 29 31 43 27
E-Mail : sav.outillage@ma.bosch.com

Tunisie

Robert Bosch Tunisie SARL
7 Rue Ibn Battouta Z.I. Saint Gobain
Mégrine Riadh
2014 Ben Arous
Tél. : +216 71 427 496/879

Fax : +216 71 428 621
E-Mail : sav.outillage@tn.bosch.com

Côte d'Ivoire

Rimco
ZONE 3, 9 RUE DU CANAL
01 BP V230, Abidjan 01
Tel. : +225 21 25 93 38

Sénégal

Bernabé
Km 2,5 – Bd du Centenaire de la Commune de Dakar
B.P. 2098 DAKAR
Tel. : +221 33 849 01 01
Fax : +221 33 823 34 20

Élimination des déchets

Les chargeurs ainsi que leurs accessoires et emballages, doivent pouvoir suivre chacun une voie de recyclage appropriée.



Ne jetez pas les chargeurs avec les ordures ménagères !



Português

Instruções de segurança



Leia todas as instruções de segurança e instruções. A inobservância das instruções de segurança e

das instruções pode causar choque elétrico, incêndio e/ou ferimentos graves.

Guarde bem estas instruções.

Use este carregador apenas se souber avaliar e usar todas as funções sem limitações e se tiver recebido instruções suficientes sobre as mesmas.

- ▶ **Este carregador não pode ser utilizado por crianças e pessoas com capacidades físicas, sensoriais ou mentais reduzidas, ou com insuficiente experiência e conhecimentos. Este carregador pode ser utilizado por crianças a partir dos 8 anos, assim como pessoas com capacidades físicas, sensoriais ou mentais reduzidas,**

ou com insuficiente experiência e conhecimentos, desde que as mesmas sejam supervisionadas ou recebam instruções acerca da utilização segura do carregador e dos perigos provenientes do mesmo. Caso contrário há perigo de operação errada e ferimentos.

- ▶ **Vigie as crianças durante a utilização, a limpeza e a manutenção.** Desta forma garante que nenhuma criança brinca com o carregador.
- ▶ **Carregue apenas Bosch baterias de lítio a partir de uma capacidade de 2,0 Ah (a partir de 3 elementos da bateria). A tensão da bateria tem de coincidir com a tensão de carga para a bateria do carregador. Não carregue baterias não recarregáveis.** Caso contrário, existe perigo de incêndio e explosão.



Mantenha o carregador afastado da chuva ou humidade. A infiltração de água num aparelho elétrico aumenta o risco de choque elétrico.

- ▶ **Mantenha o carregador limpo.** Com sujidade existe o perigo de choque elétrico.
- ▶ **Antes de qualquer utilização, verifique o carregador, o cabo e a ficha. Não utilize o carregador se detetar danos no mesmo. Não abra o carregador, as reparações devem ser levadas a cabo apenas por pessoal técnico qualificado e devem ser usadas somente peças de substituição originais.** Carregadores, cabos e fichas danificados aumentam o risco de choque elétrico.
- ▶ **Não opere o carregador sobre uma base facilmente inflamável (p. ex. papel, têxtil, etc.) ou em ambiente inflamável.** Devido ao aquecimento do carregador de tensão durante o carregamento, existe perigo de incêndio.
- ▶ **Não cubra as ranhuras de ventilação do carregador.** Caso contrário, o carregador pode sobreaquecer e deixar de funcionar corretamente.

- ▶ **Só carregar acumuladores em carregadores recomendados pelo fabricante.** Há perigo de incêndio se um carregador apropriado para um certo tipo de acumuladores for utilizado para carregar acumuladores de outros tipos.
- ▶ **Em caso de danos e de utilização incorreta do acumulador, podem escapar vapores.** Arejar bem o local de trabalho e consultar um médico se forem constatados quaisquer sintomas. É possível que os vapores irrite as vias respiratórias.
- ▶ **No caso de aplicação incorrecta pode vaziar líquido do acumulador. Evitar o contacto. No caso de um contacto accidental, deverá enxaguar com água. Se o líquido entrar em contacto com os olhos, também deverá consultar um médico.** Líquido que escapa do acumulador pode levar a irritações da pele ou a queimaduras.

Descrição do produto e do serviço

Componentes ilustrados

A numeração dos componentes ilustrados refere-se à apresentação do carregador na página de esquemas.

- (1) Bateria ^{A)}
- (2) Compartimento de carregamento
- (3) Indicação vermelha da carga do acumulador
- (4) Indicação da carga do acumulador verde

A) **Acessórios apresentados ou descritos não pertencem ao volume de fornecimento padrão. Todos os acessórios encontram-se no nosso programa de acessórios.**

Dados técnicos

Carregador		GAL 12V-40
Número de produto		2 607 226 2..
Tensão e carga da bateria (reconhecimento automático da tensão)	V ⁻⁻⁻	10,8–12
Corrente de carga	A	4,0
Faixa de temperatura de carga admissível	°C	0–45
Tempo de carga com capacidade da bateria, aprox.		(80%) / 100%
– 2,0 Ah	min	(24) / 35
– 3,0 Ah	min	(36) / 50
– 4,0 Ah	min	(48) / 65
– 6,0 Ah	min	(72) / 95
Número de elementos da bateria		3–6
Peso conforme EPTA-Procedure 01:2014	kg	0,45

Carregador GAL 12V-40

Classe de proteção  / II^{A)}

A) não é válido para o número de produto **2 607 226 227**

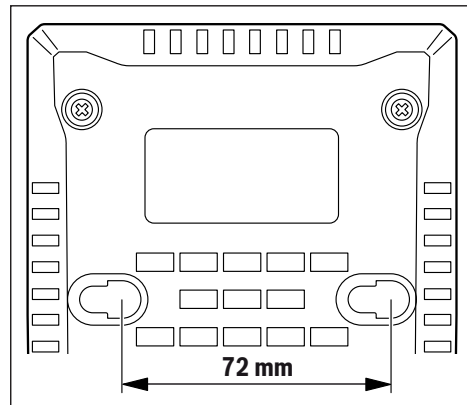
Funcionamento

Montagem na parede

O carregador pode ser operado em pé (em cima da mesa/ uso desktop) ou pendurado na parede.

Para fixar na parede: faça dois furos na distância de acordo com o desenho.

Para a fixação use apenas parafusos de cabeça redonda com um diâmetro mín. de 5 mm e máx. de 6,5 mm.



Colocação em funcionamento

- ▶ **Observar a tensão de rede!** A tensão da fonte de corrente deve coincidir com a chapa de identificação do carregador. Os carregadores assinalados com 230 V podem também ser operados com 220 V.

Processo de carregamento

O processo de carga começa assim que introduzir a ficha de rede do carregador na tomada e que colocar a bateria (1) no compartimento de carga (2).

Com o processo de carga inteligente, o estado de carga da bateria é reconhecido automaticamente e a bateria é carregada de acordo com a temperatura e com a tensão da bateria, com a corrente de carga ideal.

Desta forma a bateria é poupada e permanece completamente carregada, mesmo durante a arrecadação no carregador.

Significado dos elementos de indicação

Luz intermitente verde do indicador da carga da bateria (4)



O processo de carregamento rápido é indicado pelo **piscar** do indicador **verde** de carga da bateria (4). A bateria pode ser retirada em qualquer altura e utilizado.

Nota: O carregamento rápido só é possível se a temperatura da bateria se encontrar na faixa de temperatura de carga permitida, ver secção "Dados técnicos".



Assim que for atingida 80 % da capacidade da bateria, o piscar da indicação de carga da bateria verde fica mais lento. O carregamento rápido está agora concluído. Se a bateria permanecer no carregador, o carregamento é terminado com o modo Long Life.

Luz permanente verde do indicador da carga da bateria (4)



A luz permanente verde do indicador da carga da bateria (4) indica que a bateria está completamente carregada.

Em seguida o acumulador pode ser colocado imediatamente em funcionamento.

Sem a bateria colocada, a luz permanente verde do indicador da carga da bateria (4), indica que a ficha de rede está inserida na tomada e que o carregador está operacional.

Luz permanente vermelha do indicador da carga da bateria (3)



A luz permanente vermelha do indicador da carga da bateria (3) assinala que a temperatura do acumulador se encontra fora da faixa de temperatura de carga permitida, ver secção "Dados Técnicos". O carregamento inicia-se assim que a faixa de temperatura permitida seja alcançada.

Luz intermitente vermelha do indicador da carga da bateria (3)



A luz intermitente vermelha do indicador da carga da bateria (3) assinala uma outra falha do processo de carga, ver secção "Erros – Causas e soluções".

Erros – Causas e soluções

Causa	Solução
Luz vermelha do indicador da carga da bateria (3) pisca	
Nenhum processo de carga possível	
Bateria não inserida (corretamente)	Inserir corretamente a bateria no carregador
Contactos da bateria sujos	Limpar os contactos da bateria; p. ex. inserindo e retirando várias vezes a bateria, se necessário, substituir bateria
Bateria danificada	Substituir a bateria
Indicadores de bateria(4) ou (3) não se acendem	
A ficha do carregador não está (bem) inserida	Introduzir a ficha de rede (totalmente) na tomada
Tomada, cabo de rede ou carregador com defeito	Verificar a tensão de rede, se necessário, mandar verificar o carregador num agente

Causa	Solução
	autorizado para ferramentas elétricas Bosch

Instruções de trabalho

No caso de contínuos e repetidos ciclos de carga, sem interrupção, é possível que o carregador se esquente. No entanto, isso é seguro e não indica um defeito técnico do carregador.

Um tempo de funcionamento reduzido após o carregamento indica que a bateria está gasta e que deve ser substituída.

Manutenção e assistência técnica

Manutenção e limpeza

Se for necessário instalar um cabo de ligação, a instalação deve ser feita pela **Bosch** ou por um centro de serviço autorizado para ferramentas elétricas **Bosch**, para evitar perigos de segurança.

Serviço pós-venda e aconselhamento

O serviço pós-venda responde às suas perguntas a respeito de serviços de reparação e de manutenção do seu produto, assim como das peças sobressalentes. Desenhos explodidos e informações sobre peças sobressalentes encontram-se em: **www.bosch-pt.com**

A nossa equipa de consultores Bosch esclarece com prazer todas as suas dúvidas a respeito dos nossos produtos e acessórios.

www.powertool-portal.de, o portal de Internet para operários e aficionados da bricolage.

Indique para todas as questões e encomendas de peças sobressalentes a referência de 10 dígitos de acordo com a placa de características do produto.

Brasil

Robert Bosch Ltda. – Divisão de Ferramentas Elétricas
Caixa postal 1195 – CEP: 13065-900
Campinas – SP
Tel.: 0800 7045 446
www.bosch.com.br/contato

Angola

InvestGlobal
Parque Logístico
Estrada de Viana Km 12
Luanda
Tel. : +212 948 513 580
E-Mail: helderribeiro@investglobal-ang.com

Eliminação

Carregadores, acessórios e embalagens devem ser enviados a uma reciclagem ecológica de matéria-prima.



Não deitar os carregadores no lixo doméstico!

Español

Indicaciones de seguridad



Lea íntegramente estas **indicaciones de seguridad e instrucciones**. Las faltas de observación de las indicaciones de seguridad y de

las instrucciones pueden causar descargas eléctricas, incendios y/o lesiones graves.

Guarde estas instrucciones en un lugar seguro.

Únicamente utilice el cargador si conoce y domina todas sus funciones, o si ha sido instruido al respecto.

- ▶ **Este cargador no está previsto para la utilización por niños y personas con limitadas capacidades físicas, sensoriales o intelectuales o con falta de experiencia y conocimientos. Este cargador puede ser utilizado por niños desde 8 años y por personas con limitadas capacidades físicas, sensoriales e intelectuales o con falta de experiencia y conocimientos siempre y cuando estén vigilados por una persona responsable de su seguridad o hayan sido instruidos en la utilización segura del cargador y entendido los peligros inherentes.**

En caso contrario, existe el peligro de un manejo erróneo y lesiones.

- ▶ **Vigile a los niños durante la utilización, la limpieza y el mantenimiento.** Así se asegura, que los niños no jueguen con el cargador.
- ▶ **Cargue solamente Bosch acumuladores de iones de litio a partir de una capacidad de 2,0 Ah (a partir de 3 elementos de acumulador). La tensión del acumulador debe**

corresponder a la tensión de carga de acumuladores del cargador. No cargue acumuladores no recargables. En caso contrario existe peligro de incendio y explosión.



Mantenga el cargador alejado de la lluvia o la humedad. Existe el riesgo de recibir una descarga eléctrica si penetra agua en el aparato eléctrico.

- ▶ **Mantenga el cargador limpio.** La suciedad puede comportar un peligro de descarga eléctrica.
- ▶ **Antes de cualquier uso, compruebe el cargador, el cable y el enchufe. No utilice el cargador, si detecta daños. No abra por sí mismo el cargador y déjelo reparar únicamente por un profesional cualificado, empleando exclusivamente piezas de repuesto originales.** Cargadores, cables y enchufes dañados comportan un mayor riesgo de electrocución.
- ▶ **No opere el cargador sobre superficies fácilmente inflamables (por ejemplo, papel, tejidos, etc.) o en un entorno inflamable.** Debido al calentamiento del cargador durante la carga, existe peligro de incendio.
- ▶ **No obture las rendijas de ventilación del cargador.** En caso contrario, el cargador se puede sobrecalentar y dejar de funcionar correctamente.
- ▶ **Solamente recargar los acumuladores con los cargadores especificados por el fabricante.** Existe un riesgo de incendio al intentar cargar acumuladores de un tipo diferente al previsto para el cargador.
- ▶ **Si el acumulador se daña o usa de forma inapropiada pueden también emanar vapores.** Ventile con aire fresco el recinto y acuda a un médico si nota alguna molestia. Los vapores pueden llegar a irritar las vías respiratorias.
- ▶ **La utilización inadecuada del acumulador puede provocar fugas de líquido. Evite el contacto con él. En caso de un contacto accidental, enjuagar el área afectada con abundante agua. En caso de un contacto con los ojos, recurra además inmediatamente a ayuda médica.** El líquido del acumulador puede irritar la piel o producir quemaduras.
- ▶ El enchufe macho de conexión, debe ser conectado solamente a un enchufe hembra de las mismas características técnicas del enchufe macho en materia.

Descripción del producto y servicio

Componentes principales

La numeración de los componentes está referida a la imagen del cargador en la página ilustrada.

- (1) Acumulador ^{A)}
- (2) Compartimiento de carga
- (3) Indicador rojo de carga del acumulador

(4) Indicador verde de carga del acumulador

A) Los accesorios descritos e ilustrados no corresponden al material que se adjunta de serie. La gama completa de accesorios opcionales se detalla en nuestro programa de accesorios.

Datos técnicos

Cargador	GAL 12V-40	
Número de artículo		2 607 226 2..
Tensión de carga del acumulador (detección automática de tensión)	V $\overline{\text{--}}$	10,8–12
Corriente de carga	A	4,0
Margen admisible de la temperatura de carga	°C	0–45
Tiempo de carga con una capacidad del acumulador de, aprox.		(80%) / 100%
– 2,0 Ah	min	(24) / 35
– 3,0 Ah	min	(36) / 50
– 4,0 Ah	min	(48) / 65
– 6,0 Ah	min	(72) / 95
Nº de celdas del acumulador		3–6
Peso según EPTA-Procedure 01:2014	kg	0,45
Clase de protección		□ / II ^A)

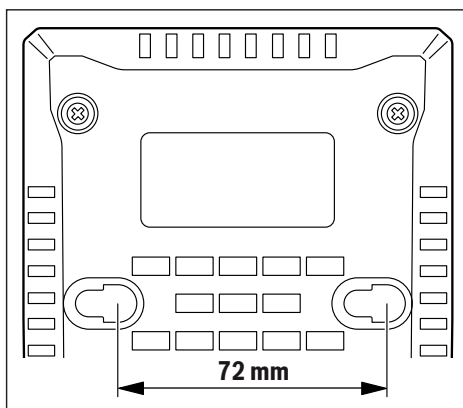
A) no válido para el número de referencia **2 607 226 227**

Operación**Montaje en la pared**

El cargador se puede utilizar en posición vertical (uso de escritorio/desktop use) o colgado en la pared.

Para la fijación en la pared: aplique dos agujeros en la distancia según el dibujo.

Utilice para la fijación tornillos con cabeza redonda con un diámetro de como 5 mm hasta como máx. 6,5 mm.

**Puesta en marcha**

► **¡Observe la tensión de red!** La tensión de alimentación deberá coincidir con aquella indicada en la placa de características del cargador. Los cargadores marcados con 230 V pueden funcionar también a 220 V.

Proceso de carga

El proceso de carga comienza tan pronto como el enchufe de red del cargador se enchufa en la caja de enchufe y el acumulador **(1)** se encaja en el compartimiento de carga **(2)**.

Gracias al inteligente procedimiento de carga utilizado, el estado de carga del acumulador es detectado automáticamente, y es recargado con la corriente de carga óptima de acuerdo a su temperatura y tensión.

Con ello se protege al acumulador, el cual se mantiene siempre completamente cargado, al conservarlo en el cargador.

Significado de los indicadores**Luz intermitente del indicador verde de carga del acumulador (4)**

El proceso de carga rápida se señaliza mediante un **parpadeo** del indicador de carga del acumulador **verde (4)**. El acumulador se puede sacar y utilizar en todo momento.

Indicación: El proceso de carga rápida sólo es posible, si la temperatura del acumulador se encuentra en el margen de temperatura de carga admisible, véase capítulo "Datos técnicos".



Tan pronto se ha alcanzado aprox. 80 % de la capacidad del acumulador, se retarda el parpadeo del indicador verde de carga del acumulador. El proceso de carga rápida se ha finalizado ahora. Si el acumulador permanece en el

cargador, el proceso de carga se finaliza en la modalidad de carga Long Life.

Luz permanente del indicador verde de carga del acumulador (4)

La luz permanente del indicador verde de carga del acumulador **(4)** señaliza que el acumulador está totalmente cargado.

Seguidamente puede retirarse el acumulador e utilizarse inmediatamente.

Sin el acumulador encajado, la luz permanente del indicador de carga del acumulador **(4)** señaliza que enchufe de red está encajado en la caja de enchufe y el cargador está listo para el funcionamiento.

Luz permanente del indicador rojo de carga del acumulador (3)

La luz permanente del indicador rojo de carga del acumulador **(3)** señaliza que la temperatura del acumulador se encuentra fuera del margen de temperatura de carga admisible, véase capítulo "Datos técnicos". Tan pronto se ha alcanzado el margen de temperatura admisible, comienza el proceso de carga.

Luz intermitente del indicador rojo de carga del acumulador (3)



La luz intermitente del indicador rojo de carga del acumulador (3) señala otra perturbación del proceso de carga, véase apartado "Fallos - causas y remedio".

Fallos - Causas y remedio

Causa	Remedio
El indicador rojo de carga del acumulador (3) parpadea	
No es posible realizar el proceso de carga	
Acumulador sin colocar, o mal colocado	Asentar correctamente el acumulador sobre el cargador
Contactos sucios del acumulador	Limpiar los contactos del acumulador; p. ej. metiéndolo y sacándolo repetidamente, o bien, sustituir el acumulador
Acumulador defectuoso	Sustituir el acumulador
Los indicadores de carga del acumulador (4) o (3) no se iluminan	
El enchufe de red del cargador no está correctamente conectado	Introducir completamente el enchufe en la toma de corriente
Toma de corriente, cable de red o cargador defectuoso	Verifique la tensión de red, y si fuese preciso, acuda a un servicio técnico autorizado para herramientas eléctricas Bosch para hacer revisar el cargador

Instrucciones para la operación

En caso de efectuar recargas continuas o muy seguidas puede que llegue a calentarse el cargador. Sin embargo, esto no tiene inconvenientes y no indica un defecto técnico del cargador.

Si después de una recarga, el tiempo de funcionamiento del acumulador fuese muy reducido, ello es señal de que éste está agotado y deberá sustituirse.

Mantenimiento y servicio

Mantenimiento y limpieza

Si es necesario reemplazar el cable de conexión, entonces esto debe ser realizado por **Bosch** o por un servicio técnico autorizado para herramientas eléctricas **Bosch**, para evitar riesgos de seguridad.

Servicio técnico y atención al cliente

El servicio técnico le asesorará en las consultas que pueda Ud. tener sobre la reparación y mantenimiento de su producto, así como sobre piezas de recambio. Los dibujos de despiece e informaciones sobre las piezas de recambio las po-

drá obtener también en el internet bajo: www.bosch-pt.com

El equipo de consultoría de aplicaciones de Bosch gustosamente le ayuda en el caso de preguntas sobre nuestros productos y sus accesorios.

Para cualquier consulta o pedido de piezas de repuesto es imprescindible indicar el nº de artículo de 10 dígitos que figura en la placa de características del producto.

España

Robert Bosch España S.L.U.
Departamento de ventas Herramientas Eléctricas
C/Hermanos García Noblejas, 19
28037 Madrid

Para efectuar su pedido online de recambios o pedir la recarga para la reparación de su máquina, entre en la página www.herramientasbosch.net.

Tel. Asesoramiento al cliente: 902 531 553

Fax: 902 531554

Argentina

Robert Bosch Argentina S.A.
Calle Blanco Encalada 250 – San Isidro
Código Postal B1642AMQ

Ciudad Autónoma de Buenos Aires

Tel.: (54) 11 5296 5200

E-Mail: herramientas.bosch@ar.bosch.com

www.argentina.bosch.com.ar

Chile

Robert Bosch S.A.
Calle El Cacique
0258 Providencia – Santiago de Chile
Buzón Postal 7750000

Tel.: (56) 02 782 0200

www.bosch.cl

Colombia

Robert Bosch Ltda
Av. Cra 45, # 108A-50, piso 7
Bogotá D.C.

Tel.: (57) 1 658 5010

www.colombia.bosch.com.co

Ecuador

Robert Bosch Sociedad Anónima
Av. Rodrigo Chávez Gonzalez Parque Empresarial Colón
Edif. Coloncorp Piso 1 Local 101-102,

Guayaquil

Tel.: (593) 4 220 4000

E-mail: ventas@bosch.com.ec

www.bosch.ec

México

Robert Bosch S. de R.L. de C.V.
Calle Robert Bosch No. 405
C.P. 50071 Zona Industrial, Toluca - Estado de México

Tel.: (52) 55 528430-62

Tel.: 800 6271286

www.bosch-herramientas.com.mx

Panamá

Robert Bosch Panamá, S.A.
Punta Pacifica, Av 8va Sur y Calle 56 Est Ed Paitilla Of. To-

wer
Ciudad de Panamá
Tel.: (507) 301-0960
www.boschherramientas.com.pa

Perú

Robert Bosch S.A.C.
Av. Primavera 781 Piso 2, Urbanización Chacarilla San Borja
Lima
Tel.: (51) 1 706 1100
www.bosch.com.pe

Venezuela

Robert Bosch S.A.
Calle Vargas con Buen Pastor, Edif. Alba, P-1, Boleita Norte,
Caracas 1071
Tel.: (58) 212 207-4511
www.boschherramientas.com.ve

Bolivia

Hansa
Calle Yanacocha esp. Mercado # 1004
Casilla 10800. La Paz.
Tel. Hansa: (591) 2 240 7777
Tel. Bosch: 800 10 0014
www.hansaindustria.com.bo

Costa Rica

Cofersa
Pozos de Santa Ana, de Hules Técnicos 200 metros este
San José
Tel.: (506) 2205 2525
www.bosch.co.cr

El Salvador

Proyesa
Dirección: Calle Gerardo Barrios y 27 Av. Sur, # 1507
San Salvador
Tel.: (503) 2559 9999
www.bosch.com.sv

Guatemala

Edisa
8a. Calle 6-60, Zona 4
Ciudad de Guatemala, 01004
Tel.: (502) 2494 0000
www.bosch.com.gt

Honduras

Indufesa
Dir: Av. Juan Pablo II Cont.a Casa Presidencial
Tegucigalpa, Francisco Morazán
Tel.: (504) 0 239 9953
www.bosch.hn

Nicaragua

MADINISA
Km 3 Carretera Norte, Edificio Armando Guido 3c. abajo
Managua
Tel.: (505) 2249 8152
Tel.: (505) 2249 8153
www.bosch.nom.ni

Paraguay

Chispa S.A.
Carios 1988E/P. José Rivera y Bernardino Gorostiaga
Casilla De Correo 1106.
Asuncion
Tel.: (595) 2155 3315
www.bosch.com.py

República Dominicana

MDH SRL
Entre Privada y Caonabo lado Norte
Santo Domingo, Distrito Nacional
Tel.: (1) 534-3020
www.bosch.do

Uruguay

Robert Bosch Uruguay S.A.
Av. Italia 7519, local A 004 (esq. Barradas)
Código Postal 11.500
Montevideo
Tel.: (598) 2604 7010
E-mail: herramientas.bosch@uy.bosch.com
www.bosch.uy.com

Eliminación

Los cargadores, accesorios y embalajes deberán someterse a un proceso de recuperación que respete el medio ambiente.



¡No arroje los cargadores a la basura!



El símbolo es solamente válido, si también se encuentra sobre la placa de características del producto/fabricado.

Português do Brasil

Indicações de segurança



Ler todas as indicações de segurança e instruções.

O desrespeito das advertências e das instruções apresentadas

abaixo pode causar choque elétrico, incêndio e/ou graves lesões.

Guarde bem estas instruções.

Use este carregador apenas se souber avaliar e usar todas as funções sem limitações e se tiver recebido instruções suficientes sobre as mesmas.

- ▶ **Este carregador não é indicado para uso por crianças e pessoas com capacidades físicas, sensoriais ou mentais reduzidas ou com pouca experiência e conhecimento. Este carregador pode ser usado por crianças a partir dos 8 anos e pessoas com capacidades físicas, sensoriais ou mentais reduzidas ou com pouca experiência e conhecimento, se forem vigiadas por uma pessoa responsável pela sua segurança ou se tiverem sido instruídas acerca do manuseio seguro do carregador e compreenderem os perigos provenientes do mesmo.** Caso contrário, existe o perigo de utilização errada e ferimentos.
- ▶ **Vigie crianças durante o uso, a limpeza e a manutenção,** para se assegurar que elas não brinquem com o carregador.
- ▶ **Carregue apenas baterias de lítio Bosch a partir de uma capacidade de 2,0 Ah (a partir de 3 células de bateria). A tensão da bateria tem que coincidir com a tensão de carga do carregador. Não carregue baterias não recarregáveis.** Caso contrário, existe perigo de incêndio e explosão.



Mantenha o carregador longe de chuva e umidade.

A infiltração de água em uma ferramenta elétrica aumenta o risco de um choque elétrico.

- ▶ **Mantenha o carregador limpo.** Devido à sujeira há perigo de choque elétrico.

- ▶ **Verifique o carregador, cabo e plugue antes de cada utilização. Não use o carregador a partir do momento que detectar danos. Não abra o carregador e mande reparar o carregador apenas por pessoal técnico qualificado e com peças sobressalentes originais.** Os carregadores, cabos e plugues danificados aumentam o risco de choque elétrico.
- ▶ **Não opere o carregador sobre uma base facilmente inflamável (p. ex. papel, têxteis, etc.) ou em ambiente inflamável.** Existe perigo de incêndio devido ao aquecimento que ocorre durante o carregamento do carregador.
- ▶ **Não cubra as ranhuras de ventilação do carregador.** O carregador pode sobreaquecer e deixar de funcionar corretamente.
- ▶ **Somente carregue com o carregador especificado pelo fabricante.** Um carregador adequado para um certo tipo de acumulador pode originar um risco de incêndio se for usado com outro tipo de acumulador.
- ▶ **Em caso de danos e de utilização incorreta do acumulador, podem escapar vapores.** Arejar bem o local de trabalho e consultar um médico se forem constatados quaisquer sintomas. É possível que os vapores irrite as vias respiratórias.
- ▶ **Sob condições abusivas, o líquido pode vazar do acumulador; evite o contato. Em caso de contato acidental, enxague com água. Se o líquido entrar em contato com os olhos, consulte um médico.** O líquido que vaza do acumulador pode causar irritações ou queimaduras.

Descrição do produto e especificações

Componentes ilustrados

A numeração dos componentes ilustrados se refere à apresentação do carregador na página de gráfico.

- (1) Bateria ^{A)}
- (2) Compartimento de carga
- (3) Indicador de carregamento da bateria vermelho
- (4) Indicador verde de carregamento da bateria

A) **Acessórios apresentados ou descritos não pertencem ao volume de fornecimento. Todos os acessórios encontram-se no nosso catálogo de acessórios.**

Dados técnicos

Carregador	GAL 12V-40	
Nº do produto		2 607 226 2..
Tensão da carga da bateria (reconhecimento automático da tensão)	V ⁻⁻⁻	10,8–12
Corrente de carga	A	4,0

Carregador	GAL 12V-40	
Faixa de temperatura de carga admissível	°C	0–45
Duração de carga com uma capacidade de bateria de aprox.		(80%) / 100%
– 2,0 Ah	min	(24) / 35
– 3,0 Ah	min	(36) / 50
– 4,0 Ah	min	(48) / 65
– 6,0 Ah	min	(72) / 95
Número de células da bateria		3–6
Peso conforme EPTA-Procedure 01:2014	kg	0,45
Classe de proteção		□ / II ^A)

A) não é válido para o número de produto **2 607 226 227**

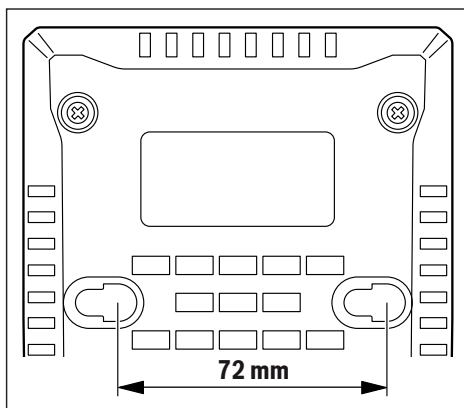
Funcionamento

Montagem na parede

O carregador pode ser operado em pé (em cima da mesa/ desktop use) ou pendurado na parede.

Para a fixação na parede: faça dois furos com a distância indicada no desenho.

Para a fixação use parafusos de cabeça redonda com um diâmetro de 5 mm até máx. 6,5 mm.



Colocação em funcionamento

- **Observe a tensão de rede!** A tensão da fonte de corrente tem de coincidir com as indicações da placa de características do carregador. Os carregadores assinalados com 230 V também podem ser operados com 220 V.

Carregamento

O carregamento inicia assim que o plugue do carregador é inserido na tomada e a bateria (1) inserida no compartimento de carga (2).

Através do carregamento de carga inteligente, o estado de carga da bateria é detectado automaticamente e carregada em função da temperatura e tensão da bateria com a respectiva corrente de carga ideal.

Assim, a bateria é protegida e permanece sempre totalmente carregada no carregador durante o armazenamento.

Significado dos elementos indicadores

Luz intermitente do indicador de carregamento da bateria (4)



O carregamento rápido é indicado pela **luz intermitente** do indicador de carregamento da bateria **verde (4)**. A bateria pode ser removida e usada a qualquer momento.

Nota: O carregamento só é possível, se a temperatura da bateria se encontrar na faixa de temperatura permitida, ver secção "Dados técnicos".



Assim que seja alcançada aprox. 80 % da capacidade da bateria, a luz intermitente do indicador de carregamento da bateria verde fica mais lenta. O carregamento rápido está concluído. Se a bateria permanecer no carregador, o processo de carga é concluído no modo de carregamento Long Life.

Luz permanente verde do indicador de carregamento da bateria (4)



A luz permanente do indicador de carregamento da bateria verde (4) indica que a bateria está completamente carregada.

A bateria pode depois ser removida para uso imediato.

Sem bateria inserida, a luz permanente do indicador de carregamento da bateria (4) assinala que o plugue está inserido na tomada e que o carregador está operacional.

Luz permanente vermelha do indicador de carregamento da bateria (3)



A luz permanente do indicador de carregamento da bateria vermelha (3) indica que a temperatura da bateria se encontra fora da faixa de temperatura de carregamento permitida, ver secção "Dados Técnicos". Assim que a faixa de temperatura permitida for alcançada, começa o carregamento.

A luz permanente do indicador de carregamento da bateria vermelha (3) indica que a temperatura da bateria se encontra fora da faixa de temperatura de carregamento permitida, ver secção "Dados Técnicos". Assim que a faixa de temperatura permitida for alcançada, começa o carregamento.

Luz intermitente vermelha do indicador de carregamento da bateria (3)



A luz intermitente do indicador de carregamento da bateria vermelho (3) indica uma outra falha do processo de carga, ver secção "Erros – Causas e solução".

Erros – Causas e solução

Causa	Solução
Luz vermelha do indicador de carregamento da bateria (3) pisca	

Causa	Solução
Não é possível o processo de carga	
Bateria não (corretamente) colocada	Colocar corretamente a bateria no carregador
Os contatos da bateria estão sujos	Limpar contatos da bateria; por exemplo, inserindo e removendo várias a bateria ou, se necessário, substituir a bateria
Bateria com defeito	Substituir a bateria
Os indicadores da bateria (4) ou (3) não estão acesos	
O plugue do carregador não está introduzido (corretamente)	Introduzir o plugue (completamente) na tomada
Tomada, cabo de força ou carregador com defeito	Controlar a tensão de rede, o carregador e se necessário, permitir que sejam controlados por uma oficina de serviço pós-venda autorizada para ferramentas elétricas Bosch

Indicações de trabalho

No caso de ciclos de carga contínuos ou seguidos sem interrupção, o carregador pode aquecer. Contudo isso é seguro e não indica um defeito técnico do carregador.

Uma autonomia consideravelmente inferior após um carregamento, indica que a bateria está gasta e tem de ser substituída.

Manutenção e serviço

Manutenção e limpeza

Se for necessário substituir o cabo de força, isto deverá ser realizado pela **Bosch** ou por uma assistência técnica autorizada para todas as ferramentas elétricas **Bosch** para evitar riscos de segurança.

Serviço pós-venda e assistência ao cliente

O serviço pós-venda responde às suas perguntas a respeito de serviços de reparação e de manutenção do seu produto, assim como das peças sobressalentes. Desenhos explodidos e informações sobre peças sobressalentes também em:

www.bosch-pt.com

A equipe de consultores Bosch esclarece com prazer todas as suas dúvidas a respeito dos nossos produtos e acessórios.

Indique em todas as questões ou encomendas de peças sobressalentes impreterivelmente a referência de 10 dígitos de acordo com a placa de características do produto.

Brasil

Robert Bosch Ltda. – Divisão de Ferramentas Elétricas
Caixa postal 1195 – CEP: 13065-900
Campinas – SP

Tel.: 0800 7045 446
www.bosch.com.br/contato

Angola

Robert Bosch Ltd
Divisão de Ferramentas Elétricas
Estrada de Cacuoaco 288
Luanda
Tel. : +244 927 584 446
http://www.bosch-professional.com/ao/pt/

Eliminação

Os carregadores, os acessórios e as embalagens devem ser entregues num ponto de recolha apropriado para efeitos de reciclagem.



Não descarte os carregadores no lixo doméstico!

中文

安全规章



请阅读所有安全规章和指示。不遵照以下警告和说明可能导致电击、着火和/或严重伤害。
妥善保存本使用说明

书。

在完全了解机器的所有功能，以及能够不受限制地执行各功能或取得相关的使用指示之后，才能够使用本充电器。

- ▶ **儿童和身体、感官或精神上有缺陷或缺乏经验与知识的人员不得使用本充电器。对于八岁以上的儿童和身体、感官或精神上有缺陷或缺乏经验与知识的人员，倘若其得到负责其安全的人员监护或接受过监护人有关充电器使用的指导并已了解到可能的危险，则可以使用本充电器。否则会有误操作和人身伤害的危险。**
- ▶ **在使用、清洁和保养时请看管好儿童。确保儿童不会使用本充电器玩耍。**

- ▶ **只能给容量在2.0安培小时（最少3个电池单元）以上的Bosch锂离子电池充电。电池电压必须与充电器的电池的充电电压相匹配。切勿给非充电型电池充电。否则存在着火和爆炸的危险。**



不得将充电器暴露在雨中或潮湿环境中。水进入充电器将增加电击危险。

- ▶ **保持充电器的清洁。**污染会产生触电的危险。
- ▶ **每次使用前都要检查充电器、电源线和插头。**一旦发现充电器损坏，请勿使用。请勿自行打开充电器，只能由具有相应资质的专业人员用原厂配件进行维修。损坏的充电器、电源线和插头会增加使用者触电的危险。
- ▶ **不要在可燃的底板（如纸张、织物等）上或可燃环境中使用充电器。**因充电器在充电时会变热，存在火灾危险。
- ▶ **不要盖住充电器的通风孔。**否则充电器会过热并且无法正常工作。
- ▶ **只用制造商规定的充电器充电。**将适用于某种电池盒的充电器用到其他电池盒时会发生着火危险。
- ▶ **如果充电电池损坏或者未按照规定使用，充电电池中也会散发出有毒蒸汽。**工作场所必须保持空气流通，如果身体有任何不适必须马上就医。蓄电池散发的蒸汽会刺激呼吸道。
- ▶ **在滥用条件下，液体会从电池中溅出；避免接触。如果意外碰到了，用水冲洗。如果液体碰到了眼睛，还要寻求医疗帮助。从电池中溅出的液体会发生腐蚀或燃烧。**

产品和性能说明

插图上的机件

机件的编号和充电器详解图上的编号一致。

- (1) 充电电池^{A)}
- (2) 充电槽
- (3) 红色的电池充电指示灯
- (4) 绿色的电池充电指示灯

A) 图表或说明上提到的附件，并不包含在基本的供货范围中。本公司的附件清单中有完整的附件供应项目。

技术数据

充电器		GAL 12V-40
物品代码		2 607 226 2..
充电电池充电电压（自动辨识电压）	伏特 [~]	10.8 - 12
充电电流	安培	4.0

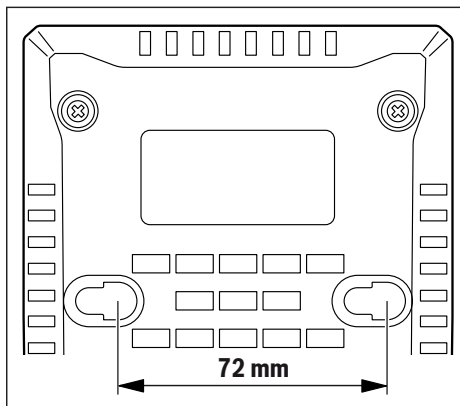
充电器		GAL 12V-40
所允许的充电温度范围	摄氏度	0 - 45
充电时间，对应电池电量约		(80%) / 100%
- 2.0安培小时	分钟	(24) / 35
- 3.0安培小时	分钟	(36) / 50
- 4.0安培小时	分钟	(48) / 65
- 6.0安培小时	分钟	(72) / 95
充电电池单元数量		3 - 6
重量符合	千克	0.45
EPTA-Procedure 01:2014		
保护等级		□ / II ^{A)}

A) 不适用于物品代码 2 607 226 227

工作

壁式安装

充电器可以竖立使用（在桌面上使用/desktop use），也可以悬挂在墙壁上使用。固定在墙壁上：按照图纸中的孔距钻两个孔。使用直径5 mm至最大6.5 mm的圆头螺栓进行固定。



投入使用

- ▶ **注意电源电压！**电源的电压必须和充电器铭牌上标示的电压数据一致。标记为230 V的充电器也可用220 V电压运行。

充电过程

一旦充电器的电源插头插入电源插座，充电电池(1)插入充电槽(2)，充电过程就启动。

透过智慧型的充电过程，机器能够自动判断充电电池的充电状况。在考量充电电池的温度和充电电池的电压等前提之下，本机器会以最佳的充电电流进行充电。

这样不但能够保护充电电池，而且存放在充电器中的充电电池的电量，会一直保持在饱和的状态。

指示灯号的代表含义

绿色的电池充电指示灯(4)闪烁



绿色的电池充电指示灯(4)闪烁表示正在进行快速充电。充电电池可随时取出使用。

提示：当充电电池的温度在许可的充电温度范围内时，才可以充电，见“技术参数”段落。



一旦达到电池容量的80%，绿色电池充电指示灯的闪烁就变慢。快速充电过程现已完成。如果充电电池仍留在充电器中，则充电过程在长效充电模式中结束。

绿色的电池充电指示灯(4)常亮



绿色的电池充电指示灯(4)常亮表示充电电池已完全充满电。

现在您可以取出并且马上使用充电电池。

如果在充电电池未插入的情况下电池充电指示灯(4)常亮，则表示电源插头已插入电源插座且充电器准备就绪。

红色的电池充电指示灯(3)常亮



红色的电池充电指示灯(3)常亮表示充电电池的温度超出了允许的充电温度范围，见“技术参数”段落。一旦达到许可的温度范围，充电过程即开始。

红色的电池充电指示灯(3)闪烁



红色的电池充电指示灯(3)闪烁表示充电过程有其他故障，见“故障 - 原因和补救措施”段落。

故障 - 原因和补救措施

原因	补救方法
红色的电池充电指示灯(3)闪烁	
无法充电	
未安装或者未正确地安装好充电电池	将充电电池正确放到充电器上
充电电池的接点堆积了污垢	清洁充电电池触点；比如通过多次插拔充电电池，必要时更换充电电池
充电电池损坏	更换充电电池
电池充电指示灯(4)或(3)不亮	
未插上或者未正确插好充电器的插头	把插头正确地插在插座上
插座，电线或充电器故障了	检查电压，必要时得把充电器交给博世授权的客户服务处检查

工作提示

在持续或者不间断地先后使用充电器后，可能导致充电器变热。不过无需担心，这并不表示充电器存在技术故障。

充电后如果充电电池的使用时间明显缩短，代表充电电池已经损坏，必须更换新的充电电池。

维修和服务

维修和清洁

如果必须更换连接线，务必把这项工作交给 **Bosch** 或者经授权的 **Bosch** 电动工具顾客服务执行，以避免危害机器的安全性能。

客户服务和应用咨询

本公司客户服务处负责回答有关本公司产品的修理、维护和备件的问题。备件的分解图和信息也可查看：www.bosch-pt.com
博世应用咨询团队乐于就我们的产品及其附件问题提供帮助。

www.powertool-portal.de，适合工匠和DIY者的互联网门户网站。

如需查询和订购备件，请务必提供产品型号铭牌上的10位数货号。

香港和澳门特别行政区

罗伯特博世有限公司
香港北角英皇道625号，
21楼

客户服务热线：+852 2101 0235

传真：+852 2590 9762

电子邮件：info@hk.bosch.com

www.bosch-pt.com.hk

中国大陆

博世电动工具（中国）有限公司，中国浙江省杭州市
滨江区滨康路567号

102/1F服务中心

邮政编码：310052

电话：(0571) 8887 5566 / 5588

传真：(0571) 8887 6688 x 5566# / 5588#

电邮：bsc.hz@cn.bosch.com

中华人民共和国

中国大陆

博世电动工具（中国）有限公司

博世服务中心

中国浙江省杭州市

滨江区

滨康路567号，

310052

电话：(0571) 8887 5566 / 5588

传真：(0571) 8887 6688 x 5566# / 5588#

电子邮件：bsc.hz@cn.bosch.com

www.bosch-pt.com.cn

处理废弃物

必须以符合环保的方式回收再利用充电器、附件和包装材料。



不可以把充电器丢入一般的家庭垃圾中！

产品中有害物质的名称及含量

部件名称	有害物质					
	铅 (Pb)	汞 (Hg)	镉 (Cd)	六价铬 (Cr ⁶⁺)	多溴联苯 (PBB)	多溴二苯醚 (PBDE)
电路板* ①	X	O	O	O	O	O
端子* ②	X	O	O	O	O	O

本表格依据SJ/T11364的规定编制。

O: 表示该有害物质在该部件所有均质材料中的含量均在GB/T 26572规定的限量要求以下。

X: 表示该有害物质至少在该部件的某一均质材料中的含量超出GB/T 26572规定的限量要求。

且目前业界没有成熟的替代方案，符合欧盟RoHS指令环保要求。

* ①适用于电池包和充电器。

* ②仅适用于充电器。

产品环保使用期限内的使用条件参见产品说明书。

除了本表中的部件，有害物质在其他部件均质材料中的含量均在GB/T 26572规定的限量要求以下。

繁體中文

安全注意事項



請詳讀所有安全注意事項和指示。如未遵守安全注意事項與指示，可能導致火災、人員遭受電擊及 / 或重傷。

妥善保存本使用說明書。

在完全了解機器的所有功能，以及能夠沒有阻礙地執行各功能或取得相關的使用指示之後，才能開始使用本充電器。

▶ 此一充電式裝置原本並不是設計提供給兒童以及身體、感官或心智能力有缺陷，或是缺乏相關經驗及知識的人士操作。8歲以上兒童以及身體、感官或心智能力有缺陷，或是缺乏相關經驗及知識的人士，只要在他人監督下或接受過如何安全處置此充電器的指導，並充份瞭解相關危險，即可使用該充電器。否則可能會造成操作上的錯誤以及受傷危險。

▶ 使用、清潔及維修期間，請隨時留意兒童。如此才能確保他

們未將本充電器當做玩具任意玩耍。

▶ 僅可對容量 2.0 Ah 以上的 Bosch 鋰電池進行充電（3 顆以上充電電池）。充電電池的電壓必須與充電器的充電電壓相符。請勿對非充電型電池進行充電。否則有失火與爆炸之虞。



不得將充電器暴露在雨中或潮濕環境中。如有水滲入電子裝置內，會增加觸電的風險。

- ▶ 充電器請保持清潔。髒污亦有造成人員觸電之虞。
- ▶ 每次使用前，請仔細檢查充電器、線材及插頭。若有發現任何受損現象，請勿使用充電器。請勿自行拆開充電器，而是應該將它交由合格的專業技師以原廠替換零件進行維修。已受損的充電器、線材和插頭，會提高觸電風險。
- ▶ 使用中的充電器請勿擱置在紙張、布料等易燃材料上或讓它處於易燃環境中。進行充電時充電器會升溫，有導致失火之虞。
- ▶ 請勿遮住充電器的通風口。否則本充電器可能過熱而無法再正常運作。
- ▶ 只用製造商規定的充電器充電。將適用於某種電池盒的充電器用到其他電池盒時會發生著火危險。
- ▶ 如果充電電池損壞了，或者未按照規定使用充電電池，充電電池中會散發出有毒蒸氣。工作場所必須保持空氣流通，如果身體有任何不適必須馬上就醫。充電電池散發的蒸氣會刺激呼吸道。
- ▶ 在濫用條件下，液體會從電池中濺出；避免接觸。如果意外碰到了，用水沖洗。如果液體碰到了眼睛，還要尋求醫療幫助。從電池中濺出的液體會發生腐蝕或燃燒。

產品和規格

插圖上的機件

機件的編號和充電器詳解圖上的編號一致。

- (1) 充電電池^{A)}
- (2) 充電槽

- (3) 充電電池充電指示燈亮起紅燈
 (4) 充電電池充電指示燈亮起綠燈
 A) 圖表或說明上提到的配件，並不包含在基本的供貨範圍中。本公司的配件清單中有完整的配件供應項目。

技術性數據

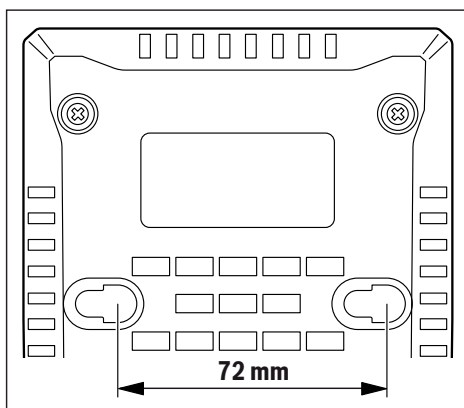
充電器	GAL 12V-40	
產品機號	2 607 226 2..	
充電電池的充電電壓 (自動偵測電壓)	V _{DC}	10.8 - 12
充電電流	A	4.0
容許的充電溫度範圍	°C	0 - 45
各充電電池容量所需的充電時間, 約略值	(80%) / 100%	
- 2.0 Ah	分鐘	(24) / 35
- 3.0 Ah	分鐘	(36) / 50
- 4.0 Ah	分鐘	(48) / 65
- 6.0 Ah	分鐘	(72) / 95
充電電池數量	3 - 6	
重量符合 EPTA-Procedure 01:2014	kg	0.45
絕緣等級	□ / II ^A)	

A) 不適用於產品機號 2 607 226 227

操作

安裝於牆面上

使用本充電器時，可將它放置於桌面上或懸掛在牆面上。
 若要固定在牆面上：請按照圖上標示的距離，鑽出兩個固定孔。
 請用直徑 5 mm 至最大 6.5 mm 的圓頭螺栓進行固定。



操作機器

- ▶ 注意電源的電壓！電源的電壓必須和充電器銘牌上標示的電壓數據一致。標示為 230 V 的充電器亦可接上 220 V 電源。

充電

只需將充電器的電源插頭插至插座上，並將充電電池 (1) 裝入充電槽 (2) 內，即可自動開始充電。透過智慧型充電程序，機器能夠自動判斷充電電池的充電狀況。在考量充電電池溫度與電壓的前提下，本機器會以最佳的充電電流進行充電。這樣不但能夠保護充電電池，而且存放於充電器中之充電電池其電量會一直保持在飽和的狀態。

指示燈號的代表含義

充電電池充電指示燈 2 (4) 呈綠色閃爍狀態



充電電池充電指示燈 (4) 若處於綠色閃爍狀態，表示正在快速充電。充電電池可隨時取出使用。

提示：當充電電池的溫度落於容許的充電溫度範圍內時，才會採取此一充電模式，請參閱「技術性數據」小節。



充電量達到約 80 % 時，綠色充電指示燈的閃爍速度隨即減緩。此時，停止快速充電。如果讓充電電池留在充電器內繼續充電，可能會影響電池使用壽命。

充電電池充電指示燈 2 (4) 呈綠色恆亮狀態



充電電池充電指示燈 (4) 若呈綠色恆亮狀態，代表充電電池已完全充電。

現在您可以取出並且馬上使用充電電池。

未裝入充電電池時，充電電池充電指示燈 (4) 若持續亮起，這代表電源插頭已插入插座，充電器已準備就緒。

充電電池充電指示燈 (3) 呈紅色恆亮狀態



充電電池充電指示燈 (3) 若持續亮起紅燈，代表充電電池的溫度已超出容許的充電溫度範圍，另請參閱「技術性數據」小節。待回到容許溫度範圍後，將立即開始充電。

充電電池充電指示燈 (3) 呈紅色閃爍狀態



充電電池充電指示燈 (3) 呈紅色閃爍狀態，表示充電過程發生其他故障，請參閱「故障 - 原因和補救方法」小節。

故障 - 原因和補救方法

原因	補救方法
充電電池充電指示燈 (3) 呈紅色閃爍狀態	
無法進行充電	
未安裝或者未正確地安裝	請將充電電池正確裝到充好充電電池 器上
充電電池的接點堆積了污垢	清潔充電電池的接點 (例如將充電電池反覆插

原因	補救方法
充電電池損壞	更換充電電池
充電電池充電指示燈 (4) 或 (3) 未亮燈	檢查電源電壓，必要時應將充電器送交博世授權的客戶服務中心進行檢查
未插上或者未正確插好充電器的插頭	請將插頭正確插到插座上
插座、電線或充電器故障	檢查電源電壓，必要時應將充電器送交博世授權的客戶服務中心進行檢查

作業注意事項

在持續或不間斷地先後使用充電器後，可能導致充電器變熱，此乃正常現象，並不表示充電器有技術性瑕疵。

充電後如果充電電池的使用時間明顯縮短，代表充電電池已經損壞，必須更換新的充電電池。

維修和服務

維修和清潔

如果必須更換連接線，請務必交由 Bosch 或者經授權的 Bosch 電動工具顧客服務執行，以避免危害機器的安全性能。

顧客服務處和顧客諮詢中心

本公司顧客服務處負責回答有關本公司產品的維修、維護和備用零件的問題。如需分解圖和備件的資料，請至以下網頁：www.bosch-pt.com
若對本公司產品及其配件有任何疑問，博世應用諮詢小組很樂意為您提供協助。

工匠與 DIY 玩家網路平台入口：www.powertool-portal.de

當您需要諮詢或訂購備用零件時，請務必提供本產品銘牌上的 10 位零件編號。

台灣

台灣羅伯特博世股份有限公司

建國北路一段90號6樓

台北市10491

電話: (02) 2515 5388

傳真: (02) 2516 1176

www.bosch-pt.com.tw

製造商地址:

Robert Bosch Power Tools GmbH

羅伯特·博世電動工具有限公司

70538 Stuttgart / GERMANY

70538 斯圖加特/德國

廢棄物處理

必須以符合環保的方式，回收再利用損壞的充電器、配件和廢棄的包裝材料。



不可以把充電器丟入一般的家庭垃圾中!

設備名稱：電池充電器，型號：GAL 12V-40

限用物質及其符號

單元	鉛 (Pb)	汞 (Hg)	鎘 (Cd)	六價鉻 (Cr ⁺⁶)	多溴聯苯 (PBB)	多溴二苯醚 (PBDE)
電容器	○	○	○	○	○	○
電源線	○	○	○	○	○	○
外殼(塑料)	○	○	○	○	○	○
電路板	○	-	○	○	○	○

備考 1. "超出 0.1 wt %" 及 "超出 0.01 wt %" 係指限用物質之百分比含量超出百分比含量基準值。

備考 2. "○" 係指該項限用物質之百分比含量未超出百分比含量基準值。

備考 3. "-" 係指該項限用物質為排除項目。

ไทย

กฎระเบียบเพื่อความปลอดภัย



อ่านคำเตือนเพื่อความปลอดภัยและคำแนะนำทั้งหมด การไม่ปฏิบัติตามคำเตือนและคำสั่งอาจเป็น

สาเหตุให้ถูกไฟฟ้าดูด เกิดไฟไหม้ และ/หรือได้รับบาดเจ็บอย่างร้ายแรง

เก็บรักษาคำสั่งนี้ไว้ให้ดี

ใช้เครื่องชาร์จแบตเตอรี่เฉพาะเมื่อท่านเข้าใจฟังก์ชันและสามารถปฏิบัติงานทั้งหมดอย่างไม่มีข้อจำกัด หรือเมื่อได้รับคำสั่งที่เกี่ยวข้องแล้วเท่านั้น

► **เครื่องชาร์จแบตเตอรี่นี้ไม่ได้มีไว้เพื่อการใช้งานโดยเด็กและบุคคลที่มีความบกพร่องทางกายภาพ ทางประสาทสัมผัส หรือทางจิตใจ หรือบุคคลที่ขาดประสบการณ์และความรู้ เด็กอายุตั้งแต่ 8 ปีขึ้นไปและบุคคลที่มีความบกพร่องทางกายภาพ ทางประสาทสัมผัส หรือทางจิต หรือขาดประสบการณ์และความรู้ สามารถใช้เครื่องชาร์จแบตเตอรี่นี้ได้ หากบุคคลที่รับผิดชอบต่อความปลอดภัยของพวกเขาได้ควบคุมดูแลหรือให้คำแนะนำเกี่ยวกับการใช้เครื่องชาร์จแบตเตอรี่นี้อย่างปลอดภัย และอธิบายให้เข้าใจถึงอันตรายที่เกี่ยวข้อง มิฉะนั้นจะมีอันตรายจากความผิดพลาดในการปฏิบัติงานและได้รับบาดเจ็บ**

► **ควบคุมดูแลเด็กๆ ในระหว่างการใช้งาน ทำความสะอาด และบำรุงรักษา ทั้งนี้เพื่อให้มั่นใจได้ว่าเด็กๆ จะไม่เล่นเครื่องชาร์จแบตเตอรี่**

► **ชาร์จเฉพาะแบตเตอรี่ลิเธียมไอออน Bosch ที่มีความจุตั้งแต่ 2,0 Ah (ตั้งแต่ 3 เซลล์แบตเตอรี่) แรงดันไฟฟ้าแบตเตอรี่ต้องตรงกับแรงดันไฟฟ้าชาร์จแบตเตอรี่ของเครื่องชาร์จแบตเตอรี่ อย่าชาร์จแบตเตอรี่แบบใช้ครั้งเดียวที่ไม่สามารถชาร์จซ้ำได้ มิฉะนั้นอาจเสี่ยงต่อการระเบิดและไฟไหม้**



อย่าวางเครื่องชาร์จแบตเตอรี่ตากฝนหรือทิ้งไว้ในที่ชื้นแฉะ หากนำเข้าไปในอุปกรณ์ไฟฟ้า จะเพิ่มความเสี่ยงต่อการถูกไฟฟ้าดูด

- **รักษาเครื่องชาร์จแบตเตอรี่ให้สะอาด ความสกปรกอาจเป็นสาเหตุให้ถูกไฟฟ้าดูด**
- **ตรวจสอบเครื่องชาร์จแบตเตอรี่ สายไฟฟ้า และปลั๊กไฟฟ้าก่อนใช้งานทุกครั้ง อย่าใช้เครื่องชาร์จแบตเตอรี่หากท่านสังเกตเห็นความเสียหาย อย่าเปิดเครื่องชาร์จแบตเตอรี่ด้วยตัวเอง และให้ช่างผู้เชี่ยวชาญตรวจสอบและใช้อะไหล่เปลี่ยนของแท้เท่านั้น เครื่องชาร์จแบตเตอรี่ สายไฟฟ้า และปลั๊กไฟฟ้าที่ชำรุดจะเพิ่มความเสี่ยงต่อการถูกไฟฟ้าดูด**
- **อย่าใช้เครื่องชาร์จแบตเตอรี่ทำงานบนพื้นผิวที่ติดไฟได้ง่าย (ต. ย. เช่น กระดาษ สิ่งทอ ฯลฯ) หรือในสภาพแวดล้อมที่ไวไฟ เครื่องชาร์จแบตเตอรี่จะร้อนขึ้นขณะชาร์จ จึงเสี่ยงต่อการเกิดไฟไหม้**
- **อย่าปิดช่องระบายอากาศของเครื่องชาร์จ มิฉะนั้นเครื่องชาร์จอาจร้อนเกินไปและไม่สามารถทำงานได้อย่างถูกต้องอีกต่อไป**
- **ชาร์จไฟใหม่ด้วยเครื่องชาร์จที่บริษัทผู้ผลิตระบุไว้เท่านั้น**
เครื่องชาร์จที่เหมาะสมสำหรับชาร์จแบตเตอรี่แพ็คเกจหนึ่ง หากนำไปชาร์จแบตเตอรี่แพ็คเกจอื่น อาจเกิดไฟไหม้ได้

- ▶ เมื่อแบตเตอรี่ชาร์จและเมื่อใช้งานแบตเตอรี่อย่างไม่ถูกต้องอาจมีไอระเหยออกมาได้บ้าง ให้สูดอากาศบริสุทธิ์ และหาแพทย์ในกรณีเจ็บปวด ไอระเหยอาจทำให้ระบบหายใจระคายเคือง
- ▶ หากใช้แบตเตอรี่อย่างอาจมีของเหลวไหลออกมาจากแบตเตอรี่ได้ ให้หลีกเลี่ยงการสัมผัส หากสัมผัสโดยบังเอิญ ให้ใช้น้ำล้าง หากของเหลวเข้าตา ให้ขอความช่วยเหลือจากแพทย์ด้วย
ของเหลวที่ไหลออกมาจากแบตเตอรี่อาจทำให้เกิดอาการคันหรือแสบผิวหนังได้

รายละเอียดผลิตภัณฑ์และข้อมูลจำเพาะ

ส่วนประกอบผลิตภัณฑ์

ลำดับเลขของส่วนประกอบผลิตภัณฑ์อ้างอิงถึงส่วนประกอบของเครื่องชาร์จแบตเตอรี่ที่แสดงในหน้าภาพประกอบ

- (1) แบตเตอรี่แพ็ค ^{A)}
- (2) ช่องชาร์จ
- (3) ไฟแสดงการชาร์จแบตเตอรี่สีแดง
- (4) ไฟแสดงการชาร์จแบตเตอรี่สีเขียว

A) อุปกรณ์ประกอบที่แสดงภาพหรืออธิบายไม่รวมอยู่ในการจัดส่งมาตรฐาน
กรุณาดูอุปกรณ์ประกอบทั้งหมดในรายการแสดงอุปกรณ์ประกอบของเรา

ข้อมูลทางเทคนิค

เครื่องชาร์จแบตเตอรี่		GAL 12V-40
หมายเลขสินค้า		2 607 226 2..
แรงดันไฟฟ้าชาร์จแบตเตอรี่แพ็ค (ตรวจจับแรงดันไฟฟ้าโดยอัตโนมัติ)	โวลต์ ^{DC}	10.8 - 12
กระแสไฟชาร์จ	แอมแปร์	4.0
ช่วงอุณหภูมิที่อนุญาตให้ชาร์จ	°C	0 - 45
เวลาชาร์จสำหรับแบตเตอรี่ความจุประมาณ		(80%) / 100%
- 2.0 แอมแปร์ชั่วโมง	นาที	(24) / 35
- 3.0 แอมแปร์ชั่วโมง	นาที	(36) / 50

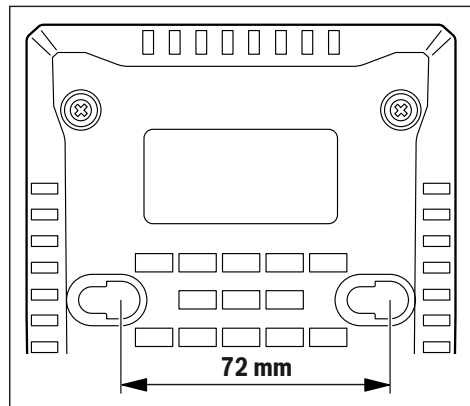
เครื่องชาร์จแบตเตอรี่		GAL 12V-40
- 4.0 แอมแปร์ชั่วโมง	นาที	(48) / 65
- 6.0 แอมแปร์ชั่วโมง	นาที	(72) / 95
จำนวนเซลล์แบตเตอรี่แพ็ค		3 - 6
น้ำหนักตามระเบียบการ EPTA-Procedure 01:2014	กก.	0.45
ระดับความปลอดภัย		□ / II ^{A)}

A) ใช้ไม่ได้กับหมายเลขสินค้า 2 607 226 227

การปฏิบัติงาน

การติดตั้งบนผนัง

เครื่องชาร์จแบตเตอรี่นี้สามารถใช้งานได้ทั้งแบบตั้งโต๊ะ (desktop use) หรือแบบแขวนบนผนัง สำหรับการยึดกับผนัง: ทำรูสองรูที่มีระยะห่างตามที่แสดงในรูป สำหรับการยึด ให้ใช้สกรูหัวกลมที่มีเส้นผ่าศูนย์กลาง 5 มม. ถึงสูงสุด 6.5 มม.



การเริ่มต้นปฏิบัติงาน

- ▶ **ให้สังเกตแรงดันไฟฟ้า! แรงดันไฟฟ้าจากแหล่งจ่ายไฟฟ้าต้องมีค่าตรงกับค่าแรงดันไฟฟ้าที่ระบุไว้บนแผ่นป้ายพิกัดเครื่องชาร์จแบตเตอรี่**
เครื่องชาร์จแบตเตอรี่ที่มีเครื่องหมาย 230 โวลต์ สามารถใช้งานกับแรงดันไฟฟ้า 220 โวลต์ ได้ด้วย

กระบวนการชาร์จ

กระบวนการชาร์จเริ่มต้นในทันทีที่เสียบปลั๊กไฟหลักของเครื่องชาร์จแบตเตอรี่เข้าในเต้าเสียบ และเสียบแบตเตอรี่แพ็ค

- (1) เข้าในช่องชาร์จ (2)

เนื่องด้วยวิธีการชาร์จที่ชาญฉลาด สภาพการชาร์จของแบตเตอรี่แพ็คจะถูกตรวจสอบโดยอัตโนมัติ และแบตเตอรี่แพ็คจะถูกชาร์จด้วยกระแสไฟฟ้าที่เหมาะสมที่สุด ทั้งนี้ขึ้นอยู่กับอุณหภูมิและแรงดันไฟฟ้าของแบตเตอรี่แพ็ค ระบบการชาร์จนี้ช่วยให้แบตเตอรี่แพ็คมีอายุการใช้งานยืนยาวกว่าและถูกชาร์จเต็มอยู่ตลอดเวลาเมื่อวางไว้ในเครื่องชาร์จเพื่อเก็บรักษา

ความหมายของไฟแสดงผล

ไฟกะพริบ ไฟแสดงการชาร์จแบตเตอรี่สีเขียว (4)



กระบวนการชาร์จไฟแบบเร็วจะบ่งบอกด้วยการกะพริบของไฟแสดงการชาร์จแบตเตอรี่สีเขียว (4) ท่านสามารถเอาแบตเตอรี่แพ็คออกมาและนำไปใช้งานเวลาใดก็ได้

หมายเหตุ: กระบวนการชาร์จเกิดขึ้นเฉพาะเมื่ออุณหภูมิของแบตเตอรี่แพ็คอยู่ในพิสัยอุณหภูมิที่อนุญาตให้ชาร์จได้เท่านั้น ดูบท “ข้อมูลทางเทคนิค”



เมื่อความจุแบตเตอรี่ขึ้นมาถึงประมาณ 80% ไฟแสดงการชาร์จแบตเตอรี่สีเขียวจะกะพริบช้าลง ตอนนี้กระบวนการชาร์จแบบเร็วสิ้นสุดแล้ว ถ้าแบตเตอรี่แพ็คยังคงอยู่ในเครื่องชาร์จ

แบตเตอรี่แพ็คจะถูกชาร์จตามกระบวนการแบบ Long-Life Mode จนเสร็จสมบูรณ์

การตัดสินใจอย่างต่อเนื่อง ไฟแสดงการชาร์จแบตเตอรี่สีเขียว (4)



การตัดสินใจอย่างต่อเนื่องของไฟแสดงการชาร์จแบตเตอรี่สีเขียว (4) บ่งบอกว่าแบตเตอรี่แพ็คถูกชาร์จเต็มแล้ว

จากนั้นท่านสามารถนำแบตเตอรี่แพ็คออกมาเพื่อใช้งานทันที หากไม่ได้เสียบแบตเตอรี่แพ็คไว้ การตัดสินใจอย่างต่อเนื่องของไฟแสดงการชาร์จแบตเตอรี่ (4) บ่งบอกว่าปลั๊กไฟหลักถูกเสียบอยู่ในตำแหน่งและเครื่องชาร์จแบตเตอรี่อยู่ในสภาพพร้อมใช้งาน

การตัดสินใจอย่างต่อเนื่อง ไฟแสดงการชาร์จแบตเตอรี่สีแดง (3)



การตัดสินใจอย่างต่อเนื่องของไฟแสดงการชาร์จแบตเตอรี่สีแดง (3) บ่งบอกว่าอุณหภูมิของแบตเตอรี่แพ็คอยู่นอกพิสัยอุณหภูมิที่อนุญาตให้ชาร์จ ดูบท “ข้อมูลทางเทคนิค” เมื่อถึงพิสัยอุณหภูมิที่อนุญาต กระบวนการชาร์จจะเริ่มเดิน

ไฟกะพริบ ไฟแสดงการชาร์จแบตเตอรี่สีแดง (3)



ไฟกะพริบของไฟแสดงการชาร์จแบตเตอรี่สีแดง (3) บ่งบอกถึงความผิดปกติอื่นๆ ใน

กระบวนการชาร์จ ดูบท “ข้อผิดพลาด – สาเหตุและมาตรการแก้ไข”

ข้อผิดพลาด – สาเหตุและมาตรการแก้ไข

สาเหตุ	มาตรการแก้ไข
ไฟแสดงการชาร์จแบตเตอรี่สีแดง (3) กะพริบ	
กระบวนการชาร์จไม่สามารถเริ่มต้น	
ไม่ได้เสียบแบตเตอรี่แพ็ค (อย่างถูกต้อง)	เสียบแบตเตอรี่แพ็คในเครื่องชาร์จแบตเตอรี่อย่างถูกต้อง
จุดสัมผัสแบตเตอรี่แพ็คเบื่อนสกปรก	ทำความสะอาดจุดสัมผัสแบตเตอรี่แพ็ค ต. ย. เช่น โดยเสียบและถอดแบตเตอรี่เข้าและออกหลายๆ ครั้ง หรือเปลี่ยนแบตเตอรี่แพ็ค หากจำเป็น
แบตเตอรี่แพ็คชำรุด	เปลี่ยนแบตเตอรี่แพ็คใหม่
ไฟแสดงการชาร์จแบตเตอรี่ (4) หรือ (3) ไม่ติดขึ้น	
ไม่ได้เสียบปลั๊กไฟหลักของเครื่องชาร์จแบตเตอรี่เข้า (อย่างถูกต้อง)	เสียบปลั๊กไฟหลัก (เต็มๆ) เข้าในตำแหน่ง
เต้าเสียบ สายไฟหลัก หรือเครื่องชาร์จแบตเตอรี่ชำรุด	ตรวจสอบแรงดันไฟฟ้าส่งเครื่องชาร์จแบตเตอรี่ไปตรวจสอบที่ศูนย์บริการหลังการขายที่ได้รับมอบหมายสำหรับเครื่องมือไฟฟ้า บอช

ข้อแนะนำในการทำงาน

การชาร์จอย่างต่อเนื่องหรือซ้ำๆ กันหลายรอบโดยไม่หยุดพักอาจทำให้เครื่องชาร์จแบตเตอรี่อุ่นขึ้น ลักษณะนี้ไม่เป็นอันตรายและไม่ได้บ่งบอกว่าเครื่องชาร์จแบตเตอรี่มีความบกพร่องทางเทคนิค

หลังจากชาร์จแบตเตอรี่แล้ว หากแบตเตอรี่แพ็คมีช่วงเวลาทำงานสั้นมาก แสดงว่าแบตเตอรี่แพ็คเสื่อมและต้องเปลี่ยนใหม่

การบำรุงรักษาและการบริการ

การบำรุงรักษาและการทำความสะอาด

หากจำเป็นต้องเปลี่ยนสายไฟฟ้า ต้องส่งเครื่องให้ **Bosch** หรือศูนย์บริการหลังการขายที่ได้รับมอบหมายสำหรับเครื่องมือไฟฟ้า **Bosch** เปลี่ยนให้ ทั้งนี้เพื่อหลีกเลี่ยงอันตราย

การบริการหลังการขายและการให้คำปรึกษาการใช้งาน

ศูนย์บริการหลังการขายของเรายินดีตอบคำถามของท่านที่เกี่ยวข้องกับการบำรุงรักษาและการซ่อมแซมผลิตภัณฑ์รวมทั้งเรื่องอะไหล่ ภาพแยกชิ้นและข้อมูลเกี่ยวกับอะไหล่ยังสามารถดูได้ใน: www.bosch-pt.com

ทีมงานที่ปรึกษาของ บอช ยินดีให้ข้อมูลเกี่ยวกับผลิตภัณฑ์ของเราและอุปกรณ์ประกอบต่างๆ

www.powertool-portal.de เว็บไซต์สำหรับช่างฝีมือและช่างสมัครเล่น

ไทย

ไทย บริษัท โรเบิร์ต บอช จำกัด
 เอฟวายไอ เซ็นเตอร์ อาคาร 1 ชั้น 5
 เลขที่ 2525 ถนนพระราม 4
 แขวงคลองเตย เขตคลองเตย
 กรุงเทพฯ 10110
 โทร: +66 2012 8888
 แฟกซ์: +66 2064 5800
www.bosch.co.th

ศูนย์บริการซ่อมและฝึกอบรม บอช
 อาคาร ลาซาลทาวเวอร์ ชั้น G ห้องเลขที่ 2
 บ้านเลขที่ 10/11 หมู่ 16
 ถนนศรีนครินทร์
 ตำบลบางแก้ว อำเภอบางพลี
 จังหวัดสมุทรปราการ 10540
 ประเทศไทย
 โทรศัพท์ 02 7587555
 โทรสาร 02 7587525

การกำจัดขยะ

เครื่องชาร์จแบตเตอรี่ อุปกรณ์ประกอบ และหีบห่อ ต้องนำไปแยกประเภทวัสดุเพื่อนำกลับมาใช้ใหม่โดยไม่ทำลายสภาพแวดล้อม



อย่าทิ้งเครื่องชาร์จแบตเตอรี่ลงในขยะบ้าน!

Bahasa Indonesia

Petunjuk Keselamatan



Bacalah semua petunjuk keselamatan dan petunjuk penggunaan. Kesalahan dalam menjalankan petunjuk keselamatan dan

petunjuk penggunaan dapat mengakibatkan kontak listrik, kebakaran dan/atau luka-luka yang berat.

Simpanlah petunjuk-petunjuk ini dengan seksama.

Gunakanlah charger hanya jika Anda telah mengerti semua fungsinya dan bisa menggunakan semua fungsi, atau telah mendapat petunjuk-petunjuk terkait.

► **Pengisi daya ini tidak diperuntukkan untuk digunakan oleh anak-anak dan orang-orang dengan keterbatasan fisik, indra atau mental, atau kurang pengalaman dan pengetahuan. Pengisi daya ini dapat digunakan oleh anak-anak di atas 8 tahun dan juga orang dengan keterbatasan fisik, sensorik atau mental, atau kurang berpengalaman dan pengetahuan, selama di bawah pengawasan atau diberi pengarahan mengenai cara penggunaan pengisi daya yang aman dan mereka dapat mengerti tentang bahaya yang mungkin terjadi.** Jika tidak, dapat terjadi risiko kesalahan pengoperasian dan cedera.

► **Awasi anak-anak Anda saat penggunaan, pembersihan, dan pemeliharaan.** Hal itu memastikan anak-anak tidak bermain menggunakan pengisi daya.

- ▶ **Hanya isi daya baterai li-ion Bosch mulai kapasitas 2,0 Ah (mulai 3 sel baterai). Tegangan baterai harus sesuai dengan tegangan pengisian baterai pengisi daya. Jangan mengisi daya baterai yang bukan baterai isi ulang.** Jika tidak, dapat terjadi risiko kebakaran dan ledakan.



Jauhkan pengisi daya dari hujan atau basah. Air yang masuk ke dalam perangkat listrik menambah risiko terjadinya kontak listrik.

- ▶ **Jaga pengisi daya tetap bersih.** Kondisi radio yang kotor dapat menimbulkan bahaya sengatan listrik.
- ▶ **Selalu periksa pengisi daya, kabel, dan plug sebelum digunakan. Jangan gunakan pengisi daya jika Anda melihat adanya kerusakan. Jangan membuka pengisi daya sendiri dan biarkan alat pengukur direparasi hanya oleh teknisi ahli dan hanya dengan menggunakan suku cadang yang asli.** Pengisi daya, kabel, dan plug yang rusak dapat meningkatkan risiko terjadinya kejutan listrik.
- ▶ **Jangan mengoperasikan pengisi daya di permukaan yang mudah terbakar (seperti kertas, bahan tekstil, dsb.) atau di area yang mudah terbakar.** Terdapat risiko kebakaran akibat peningkatan suhu pada pengisi daya saat dioperasikan.
- ▶ **Jangan membuka celah ventilasi pada perangkat charger.** Jika tidak, charger dapat menjadi terlalu panas dan tidak dapat lagi berfungsi sebagaimana mestinya.
- ▶ **Isi ulang daya hanya dengan pengisi daya yang ditentukan oleh produsen.** Pengisi daya yang sesuai untuk satu jenis set baterai dapat menyebabkan risiko kebakaran apabila digunakan dengan set baterai lain.
- ▶ **Jika baterai rusak dan jika penggunaan baterai salah, baterai juga bisa mengeluarkan uap.** Biarkan udara segar mengalir masuk dan jika Anda merasa tidak enak badan, pergilah ke dokter. Uap tersebut bisa mengganggu saluran pernafasan.
- ▶ **Cairan dapat keluar dari baterai jika baterai tidak digunakan dengan benar; hindari kontak. Jika terjadi kontak secara tidak disengaja, bilas dengan air. Jika cairan mengenai mata, segera hubungi bantuan medis.** Cairan yang keluar dari baterai dapat menyebabkan iritasi atau luka bakar.

- (1) Baterai ^{A)}
 - (2) Dudukan baterai sewaktu diisi
 - (3) Indikator pengisian baterai merah
 - (4) Indikator pengisian baterai hijau
- A) **Aksesori yang ada pada gambar atau yang dijelaskan tidak termasuk dalam lingkup pengiriman standar. Semua aksesori yang ada dapat Anda lihat dalam program aksesori kami.**

Data teknis

Pengisi daya	GAL 12V-40	
Nomor seri	2 607 226 2..	
Tegangan pengisi daya baterai (pendeteksian tegangan otomatis)	V $\overline{\text{--}}$	10,8–12
Arus pengisian baterai	A	4,0
Rentang suhu yang diizinkan untuk pengisian daya	°C	0–45
Durasi pengisian pada kapasitas baterai sekitar		(80%)/100%
– 2,0 Ah	min	(24) / 35
– 3,0 Ah	min	(36) / 50
– 4,0 Ah	min	(48) / 65
– 6,0 Ah	min	(72) / 95
Jumlah sel baterai		3–6
Berat sesuai dengan EPTA-Procedure 01:2014	kg	0,45
Klasifikasi keamanan		□ / II ^{A)}

A) tidak berlaku untuk nomor seri 2 607 226 227

Penggunaan

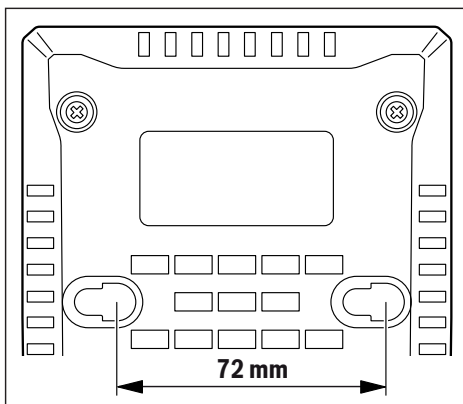
Pemasangan pada dinding

Pengisi daya dapat digunakan baik berdiri (penggunaan desktop/desktop use) atau menggantung pada dinding. Untuk pemasangan pada dinding: Tempatkan dua lubang yang dibor pada jarak yang sesuai dengan gambar. Gunakan baut kepala bundar dengan diameter 5 mm hingga maks. 6,5 mm untuk pemasangan.

Spesifikasi produk dan performa

Komponen ilustrasi

Nomor pada komponen yang digambarkan sesuai dengan gambar pengisi daya baterai pada halaman bergambar.



Cara penggunaan

- ▶ **Perhatikan tegangan listrik!** Tegangan jaringan listrik harus sesuai dengan tegangan yang tercantum pada label tipe pengisi daya baterai. Pengisi daya baterai bertanda 230 V dapat juga dioperasikan pada 220 V.

Pengisian baterai

Proses pengisian dimulai sesaat setelah steker pengisi daya tersambung dengan stopkontak dan baterai dimasukkan (1) ke dudukan pengisian baterai (2).

Level pengisian daya terdeteksi secara otomatis melalui proses pengisian cepat dan diisi tergantung pada suhu dan tegangan baterai dengan arus pengisian daya yang optimal. Dengan demikian, baterai tahan lama dan jika disimpan di dalam pengisi daya, baterai akan selalu terisi penuh.

Makna elemen display

Lampu indikator pengisian baterai berwarna hijau berkedip (4)



Proses cepat pengisian baterai ditandai melalui **indikator pengisian baterai** berwarna hijau berkedip (4). Baterai dapat dilepas dan digunakan setiap saat.

Petunjuk: Proses pengisian baterai hanya dimungkinkan jika suhu baterai berada pada kisaran suhu pengisian yang diizinkan, lihat bagian "Data teknis".



Jika kapasitas baterai mencapai sekitar 80 %, indikator pengisian baterai yang berwarna hijau akan berkedip lebih lambat. Proses pengisian cepat telah selesai. Jika baterai tetap berada di dalam pengisi daya, proses pengisian baterai akan diubah ke mode Long Life.

Lampu indikator pengisian baterai berwarna hijau menyala (4)



Lampu indikator pengisian daya baterai berwarna hijau yang menyala (4) menandakan bahwa baterai terisi penuh.

Kemudian baterai dapat dilepas untuk segera digunakan.

Tanpa baterai yang terpasang, lampu indikator pengisian daya baterai (4) yang menyala menandakan bahwa steker listrik tersambung dengan stopkontak dan pengisi daya siap digunakan.

Lampu indikator pengisian daya baterai berwarna merah menyala (3)



Lampu indikator pengisian daya baterai berwarna merah yang menyala (3) menandakan bahwa suhu baterai berada pada luar kisaran suhu pengisian yang diizinkan,

lihat bagian "Data teknis". Saat batas suhu sesuai dengan yang diizinkan, segera mulai proses pengisian baterai.

Lampu indikator pengisian daya baterai berwarna merah berkedip (3)



Lampu indikator pengisian baterai berwarna merah yang berkedip (3) menandakan bahwa terdapat kesalahan lain pada proses pengisian, lihat bagian "Kesalahan - Sebab dan Solusi".

Kesalahan - Sebab dan Solusi

Sebab	Solusi
Indikator pengisian daya baterai berwarna merah (3) berkedip	
Proses pengisian tidak memungkinkan	
Baterai tidak terpasang (dengan benar) pada dudukannya	Pasang baterai dengan benar pada pengisi daya
Kontak-kontak baterai kotor	Bersihkan kontak baterai; misalnya masuk dan lepaskan baterai berulang kali, jika perlu ganti baterai
Baterai rusak	Baterai diganti
Indikator pengisian baterai (4) atau (3) tidak menyala	
Steker pengisi daya tidak dimasukkan (dengan benar)	Masukkan steker (dengan benar) ke dalam stopkontak
Stopkontak, kabel listrik, atau pengisi daya rusak	Periksalah tegangan jaringan listrik, bila perlu periksakan pengisi daya pada Service Center perkakas listrik Bosch yang resmi

Petunjuk pengoperasian

Jika pengisi daya digunakan secara kontinu atau untuk beberapa siklus pengisian baterai berturut-turut tanpa henti, pengisi daya dapat menjadi panas. Hal ini tidak berbahaya dan tidak menunjukkan cacat teknis pengisi daya.

Jika setelah diisi waktu pemakaian baterai semakin pendek, hal ini menandakan bahwa baterai sudah aus dan harus diganti.

Perawatan dan servis

Perawatan dan pembersihan

Jika kabel listrik harus diganti, pekerjaan ini harus dilakukan oleh **Bosch** atau Service Center untuk perkakas listrik **Bosch** resmi agar keselamatan kerja selalu terjamin.

Layanan pelanggan dan konsultasi penggunaan

Layanan pelanggan Bosch menjawab semua pertanyaan Anda tentang reparasi dan perawatan serta tentang suku cadang produk ini. Gambaran teknis (exploded view) dan informasi mengenai suku cadang dapat ditemukan di:

www.bosch-pt.com

Tim konsultasi penggunaan Bosch akan membantu Anda menjawab pertanyaan seputar produk kami beserta aksesorinya.

www.powertool-portal.de, portal internet untuk perajin dan tukang.

Jika Anda hendak menanyakan sesuatu atau memesan suku cadang, selalu sebutkan nomor model yang terdiri atas 10 angka dan tercantum pada label tipe produk.

Indonesia

PT Robert Bosch
Palma Tower 10th Floor
Jalan RA Kartini II-S Kaveling 6
Pondok Pinang, Kebayoran Lama
Jakarta Selatan 12310
Tel.: (021) 3005 5800
Fax: (021) 3005 5801
E-Mail: boschpowertools@id.bosch.com
www.bosch-pt.co.id

Cara membuang

Pengisi daya, aksesoris dan kemasan harus didaur ulang dengan cara yang ramah lingkungan.



Jangan membuang pengisi daya baterai ke dalam sampah rumah tangga!

Tiếng Việt

Hướng dẫn an toàn



Đọc kỹ mọi cảnh báo an toàn và mọi hướng dẫn. Không tuân thủ mọi cảnh báo và hướng dẫn được liệt kê dưới đây có thể bị điện giật, gây cháy và / hay bị thương tật nghiêm trọng.

Hãy giữ lại các tài liệu hướng dẫn này.

Chỉ sử dụng bộ nạp điện pin khi bạn đã hoàn toàn hiểu rõ và có thể thực hiện mọi chức năng không bị giới hạn, hoặc thực hiện theo sự chỉ dẫn thích hợp.

- ▶ **Máy nạp pin này không thiết kế dành cho đối tượng sử dụng là trẻ em và người bị hạn chế về thể chất, khả năng giác quan kém hoặc tâm thần hoặc thiếu kinh nghiệm và thiếu hiểu biết. Máy nạp pin này có thể dành cho trẻ em từ 8 tuổi trở lên và người bị hạn chế về thể chất, khả năng giác quan kém hoặc tâm thần hoặc thiếu kinh nghiệm và thiếu hiểu biết sử dụng, chỉ khi họ được một người chịu trách nhiệm cho sự an toàn của họ giám sát hoặc đã được người này hướng dẫn sử dụng máy nạp pin trong môi trường an toàn và hiểu được những nguy hiểm có liên quan. Nếu không sẽ có nguy cơ sai sót khi vận hành và bị thương tích.**
- ▶ **Hãy giám sát trẻ nhỏ khi sử dụng, làm sạch và bảo dưỡng.** Để đảm bảo rằng, trẻ em không chơi với máy nạp pin này.
- ▶ **Chỉ sạc Bosch Pin Li-Ion từ mức dung lượng 2,0 Ah (từ 3 bộ pin). Điện áp của pin phải phù hợp với điện áp nạp pin của máy nạp pin. Không nạp pin không thể sạc lại. Nếu không có thể gây ra hỏa hoạn hoặc cháy nổ.**



Không được để thiết bị sạc ngoài mưa hay ở tình trạng ẩm ướt. Nước xâm nhập vào thiết bị điện sẽ làm tăng nguy cơ điện giật.

- ▶ **Giữ sạch thiết bị sạc.** Có nguy cơ điện giật nếu bị bẩn.
- ▶ **Vui lòng kiểm tra trước khi sử dụng thiết bị sạc, dây cáp và phích cắm.** Không được sử dụng thiết bị sạc nếu bạn phát hiện có hư hỏng. **Hãy tự mở thiết bị sạc và nhờ một người có năng lực sửa chữa và chỉ sử dụng các bộ phận dự phòng chính hãng.** Thiết bị sạc, dây dẫn và phích cắm bị hỏng làm tăng nguy cơ bị điện giật.
- ▶ **Không vận hành thiết bị sạc trên bề mặt dễ cháy (ví dụ giấy, vải, vv) hoặc trong môi trường dễ cháy.** Vì trong quá trình sạc thiết bị sạc sẽ nóng lên, cho nên có nguy cơ cháy.
- ▶ **Không tháo cửa thông gió của máy nạp pin ra.** Nếu không thì máy nạp pin có thể bị quá nhiệt và không thể hoạt động đúng cách nữa.
- ▶ **Chỉ được sạc pin lại với bộ nạp điện do nhà sản xuất chỉ định.** Bộ nạp điện thích hợp cho một loại pin có thể gây nguy cơ cháy khi sử dụng cho một loại pin khác.
- ▶ **Trong trường hợp pin bị hỏng hay sử dụng sai cách, hơi nước có thể bốc ra.** Hãy làm cho thông thoáng khí và trong trường hợp bị đau phải nhờ y tế chữa trị. Hơi nước có thể gây ngứa hệ hô hấp.
- ▶ **Bảo quản ở tình trạng tối, dung dịch từ pin có thể tứa ra; tránh tiếp xúc.** Nếu vô tình chạm phải, hãy xối nước để rửa. Nếu dung dịch vào mắt, cần thêm sự hỗ trợ của y tế. Dung dịch tiết ra từ pin có thể gây ngứa hay bỏng.

Mô Tả Sản Phẩm và Đặc Tính Kỹ Thuật

Các bộ phận được minh họa

Sự đánh số các biểu trưng của sản phẩm là để tham khảo hình minh họa của bộ nạp điện pin trên trang hình ảnh.

- (1) Pin ^{A)}
- (2) Khoảng nạp điện
- (3) Đèn báo nạp điện pin màu đỏ
- (4) Đèn báo nạp điện pin màu xanh lá

A) Phụ tùng được trình bày hay mô tả không phải là một phần của tiêu chuẩn hàng hóa được giao kèm theo sản phẩm. Bạn có thể tham khảo tổng thể các loại phụ tùng, phụ kiện trong chương trình phụ tùng của chúng tôi.

Thông số kỹ thuật

Bộ sạc		GAL 12V-40
Mã số máy		2 607 226 2..
Hiệu suất điện thế ra (tự động tầm soát điện thế)	V ₋₋₋	10,8 – 12
Dòng điện nạp	A	4,0
Giới hạn của nhiệt độ nạp điện cho phép	°C	0 – 45
Thời gian nạp điện cho pin có dung lượng khoảng.		(80%) / 100%
– 2,0 Ah	min	(24) / 35
– 3,0 Ah	min	(36) / 50
– 4,0 Ah	min	(48) / 65
– 6,0 Ah	min	(72) / 95
Số lượng pin		3 – 6
Trọng lượng theo EPTA-Procedure 01:2014	kg	0,45
Cấp độ bảo vệ		□ / II ^{A)}

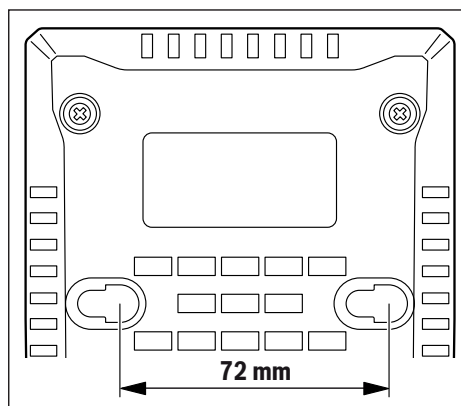
A) không áp dụng cho mã số máy **2 607 226 227**

Vận Hành

Lắp tường

Bộ sạc có thể được vận hành dạng đứng (Chế độ bàn/sử dụng mặt bàn) hoặc dạng treo trên tường. Để gắn trên tường: Đặt hai lỗ khoan ở khoảng cách theo bản vẽ.

Hãy sử dụng các vít đầu tròn có đường kính 5 mm đến tối đa 6,5 mm để gắn.



Bắt Đầu Vận Hành

- ▶ **Tuân thủ theo đúng điện thế!** Điện thế của nguồn điện cung cấp phải phù hợp với các số liệu được ghi trên nhãn mác của bộ nạp điện pin.

Các thiết bị sạc ghi 230 V cũng có thể được vận hành ở 220 V.

Sạc pin

Quá trình sạc bắt đầu ngay khi cắm phích cắm của bộ sạc vào ổ cắm và gắn pin (1) vào khoang nạp điện (2).

Nhờ vào phương pháp nạp điện thông minh, tình trạng nạp điện của pin được tự động kiểm soát, và pin được nạp với dòng điện nạp tối ưu, tùy thuộc vào nhiệt độ và điện áp của pin.

Cách thức này làm cho pin có tuổi thọ dài hơn và luôn giữ cho pin đầy điện khi vẫn gắn trong bộ nạp để lưu kho.

Ý Nghĩa của các Nguyên Lý Báo Hiệu

Đèn xi nhan hiển thị nạp pin màu xanh lá (4)



Quá trình nạp nhanh được báo hiệu bằng **nhấp nháy hiển thị nạp màu xanh lá (4)**. Pin có thể được tháo ra tại mỗi thời điểm và được sử dụng.

Lưu ý: Quá trình sạc chỉ thực hiện được, nếu nhiệt độ của pin ở trong giới hạn của nhiệt độ nạp điện cho phép, hãy xem phần "Dữ liệu kỹ thuật".



Ngay khi đạt khoảng 80 % dung lượng pin, đèn hiển thị nạp pin màu xanh lá sẽ nhấp nháy chậm dần. Hiện tại, quá trình nạp nhanh đã được hoàn tất. Nếu pin vẫn ở trong máy nạp, quá trình nạp sẽ được hoàn thành ở chế độ nạp dài hạn.

Đèn sáng liên tục hiển thị nạp pin màu xanh lá (4)



Đèn sáng liên tục của hiển thị nạp pin màu xanh lá (4) báo hiệu rằng pin đã được sạc đầy.

Sau cùng, có thể lấy pin ra để sử dụng ngay.

Nếu không có pin được cắm vào, đèn sáng liên tục của hiển thị nạp pin (4) báo hiệu rằng phích cắm điện được nạp vào ổ cắm và bộ sạc đã sẵn sàng để sử dụng.

Đèn sáng liên tục của hiển thị nạp điện pin màu đỏ (3)



Ánh sáng liên tục màu đỏ hiển thị nạp pin (3) báo hiệu nhiệt độ pin đang nằm ngoài phạm vi nhiệt độ nạp cho phép, xem phần "Dữ liệu kỹ thuật". Ngay khi đạt phạm vi nhiệt độ cho phép, thì quá trình nạp bắt đầu.

Đèn nhấp nháy của hiển thị nạp điện pin màu đỏ (3)



Đèn nhấp nháy của hiển thị nạp pin màu đỏ (3) báo hiệu một trục trặc khác của quá trình sạc, xem phần "Lỗi – Nguyên nhân và biện pháp khắc phục".

Lỗi – Nguyên nhân và biện pháp khắc phục

Nguyên nhân	Biện Pháp Sửa Chữa
Hiển thị nạp pin màu đỏ (3) nhấp nháy	
Không thể thực hiện quá trình sạc	
Pin không được lắp vào (đúng cách)	Lắp pin đúng cách vào bộ sạc Pin
Điểm tiếp xúc của pin bị bẩn	Vệ sinh điểm tiếp xúc của pin; ví dụ bằng cách cắm tháo pin nhiều lần, ví dụ thay thế pin
Pin bị hỏng	Thay pin
Hiển thị nạp pin (4) hoặc (3) không chiếu sáng	
Phích cắm điện nguồn chưa được cắm vào (đúng cách)	Cắm hết phích cắm điện nguồn (hoàn toàn) vào trong ổ điện
Ổ điện, dây dẫn điện hay bộ nạp điện pin bị hỏng	Kiểm tra điện nguồn; đem bộ nạp điện pin đến một đại lý phục vụ hàng sau khi bán do Bosch ủy nhiệm để kiểm tra

Hướng Dẫn Sử Dụng

Với chu trình nạp điện liên tục hoặc lặp đi lặp lại không gián đoạn, bộ nạp điện có thể nóng lên. Tuy nhiên, điều này là vô hại và không có lỗi kỹ thuật của bộ sạc.

Sự giảm sút đáng kể thời gian hoạt động sau khi nạp điện chỉ rõ rằng pin hợp khối đã hết công dụng và phải được thay.

Bảo Dưỡng và Bảo Quản

Bảo Dưỡng Và Làm Sạch

Nếu như cần phải thay dây dẫn điện thì công việc này phải do hãng **Bosch**, hay một đại lý được **Bosch** ủy nhiệm thực hiện để tránh gặp sự nguy hiểm do mất an toàn.

Dịch vụ hỗ trợ khách hàng và tư vấn sử dụng

Bộ phận phục vụ hàng sau khi bán của chúng tôi trả lời các câu hỏi liên quan đến việc bảo dưỡng và sửa chữa các sản phẩm cũng như phụ tùng thay thế của bạn. Sơ đồ mô tả và thông tin về phụ tùng thay thế cũng có thể tra cứu theo dưới đây:

www.bosch-pt.com

Đội ngũ tư vấn sử dụng của Bosch sẽ giúp bạn giải đáp các thắc mắc về sản phẩm và phụ kiện.

www.powertool-portal.de, cổng thông tin điện tử cho thợ thủ công và người làm việc vất.

Trong tất cả các phản hồi và đơn đặt phụ tùng, xin vui lòng luôn luôn nhập số hàng hóa 10 chữ số theo nhãn của hàng hóa.

Việt Nam

CN CÔNG TY TNHH BOSCH VIỆT NAM TẠI
TP.HCM
Tầng 14, Ngôi Nhà Đức, 33 Lê Duẩn
Phường Bến Nghé, Quận 1, Thành Phố Hồ Chí
Minh
Tel.: (028) 6258 3690
Fax: (028) 6258 3692 - 6258 3694
Hotline: (028) 6250 8555
Email: tuvankhachhang-pt@vn.bosch.com
www.bosch-pt.com.vn
www.baohanhbosch-pt.com.vn

Campuchia

Công ty TNHH Robert Bosch (Campuchia)
Đơn nguyên 8BC, GT Tower, Tầng 08,
Đường 169, Tiệp Khắc Blvd, Sangkat Veal Vong,
Khan 7 Makara, Phnom Penh
VAT TIN: 100 169 511
Tel.: +855 23 900 685
Tel.: +855 23 900 660
www.bosch.com.kh

Sự thái độ

Bộ nạp điện pin, phụ tùng và bao bì phải được
phân loại để tái chế theo hướng thân thiện với môi
trường.



Không được vứt bỏ bộ nạp điện pin vào
chung với rác sinh hoạt!

◀ اشحن مراكم أيونات الليثيوم من Bosch بدءاً من السعة 2,0 أمبير ساعة (بدءاً من 3 خلية مركم). يجب أن يلائم جهد المراكم جهد شحن المركم الخاص بجهاز الشحن. لا تقم بشحن مراكم غير قابلة لإعادة الشحن. وإلا فسيكون هناك خطر اندلاع حريق وحدوث انفجار.

- ◀ أبعد جهاز شحن عن الأمطار أو الرطوبة. يزداد خطر الصدمات الكهربائية إن تسرب الماء إلى داخل الجهاز الكهربائي.
- ◀ حافظ على نظافة جهاز الشحن. حيث يكون هناك خطر حدوث صدمة كهربائية من جراء تعرضها للاتساخ.
- ◀ قبل الاستخدام افحص جهاز الشحن والكابل والقباس. لا تستخدم جهاز الشحن إذا اكتشفت وجود أضرار به. لا تفتح جهاز الشحن بنفسك ولا تقم بإصلاحه إلا لدى فنيين متخصصين مؤهلين مع الاقتصر على استخدام قطع الغيار الأصلية. يزداد خطر الإصابة بصدمة كهربائية في حالة وجود أضرار بأجهزة الشحن والكابلات الكهربائية والقوابس.
- ◀ لا تقم بتشغيل جهاز الشحن على أرضية سهلة الاشتعال (مثل الورق والمنسوجات وما شابه) أو في بيئة قابلة للاشتعال. حيث ينشأ خطر اندلاع حريق نتيجة للسخونة المتولدة بجهاز الشحن عند الشحن.
- ◀ لا تغطي فتحة تهوية جهاز الشحن. فقد يتعرض جهاز الشحن لسخونة مفرطة، ولا يعمل بعد ذلك بشكل سليم.
- ◀ اشحن المراكم فقط في أجهزة الشحن التي يُنصح باستخدامها من طرف المنتج. قد يتسبب جهاز الشحن المخصصة لنوع معين من المراكم في خطر الحريق إن تم استخدامه مع نوع آخر من المراكم.
- ◀ قد تنطلق أبخرة أيضاً عند إتلاف المركم واستخدامه بطريقة غير ملائمة. أمن توفر الهواء النقي وراجع الطبيب إن شعرت بالأم. قد تهيج هذه الأبخرة المجاري التنفسية.
- ◀ قد يتسرب السائل من المركم في حالة سوء الاستعمال. تجنب ملامسته. اشطفه بالماء في حال ملامسته بشكل غير مقصود. إن وصل السائل إلى العينين، فراجع الطبيب إضافة إلى ذلك. قد يؤدي سائل المركم المتسرب إلى تهيج البشرة أو إلى الامتراق.

عربي

إرشادات الأمان



اقرأ جميع إرشادات الأمان والتعليمات. إن ارتكاب الأخطاء عند تطبيق إرشادات الأمان والتعليمات قد يؤدي

إلى حدوث صدمات كهربائية، و إلى نشوب المرائق و/أو الإصابة بجروح خطيرة.

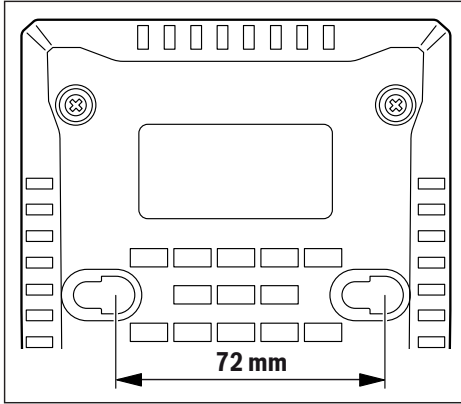
احتفظ بهذه التعليمات بشكل جيد.

استخدم جهاز الشحن فقط إن كنت تعرف وظائفه بشكل تام، وكان بإمكانك إن تستخدمها دون قيود، وكنت قد استلمت التعليمات الخاصة بذلك.

◀ جهاز الشحن هذا غير مخصص لاستعمال الأطفال

والأشخاص الذين يعانون من نقص في القدرات البدنية أو الحسية أو العقلية أو الذين ليست لديهم الدراية والمعرفة. لا يمكن استخدام هذا الشاحن من قبل الأطفال من 8 سنوات فأكثر، بالإضافة للأشخاص الذين يعانون من نقص في القدرات البدنية أو الحسية أو العقلية أو الذين ليست لديهم الدراية والمعرفة، إلا في حالة الإشراف عليهم من قبل شخص مسؤول عن سلامتهم أو إذا تم إرشادهم إلى كيفية التعامل الآمن مع هذا الشاحن، وإلى الأخطار المرتبطة به. وإلا فسيكون هناك خطر نتيجة للاستخدام بشكل خاطئ وقد يتعرضون لإصابات.

◀ احرص على مراقبة الأطفال عند الاستخدام والتنظيف والصيانة. وذلك لضمان عدم عبث الأطفال بالشاحن.



بدء التشغيل

⚠ **انتبه إلى جهد الشبكة الكهربائية! يجب أن** يتطابق جهد منبع التيار مع المعلومات المذكورة على لافتة طراز جهاز الشحن. يمكن أن يتم تشغيل أجهزة الشحن المحددة بجهد 230 فلت و 220 فلت أيضا.

عملية الشحن

تبدأ عملية الشحن بمجرد وضع قابس جهاز الشحن في المقبس الكهربائي ووضع المركم (1) في فتحة الشحن (2). يتم كشف حالة شحن المركم بشكل آلي من خلال إجراءات الشحن الذكية، ليتم شحنه بتيار الشحن الملائم في كل مرة بما يوافق درجة حرارة وجهد المركم. يؤدي ذلك إلى صيانة المركم، فيبقى مشحونا بشكل كامل دائما عند الاحتفاظ به في جهاز الشحن.

معنى عناصر المؤشر

الضوء الومض لمؤشر شحن المركم الأخضر (4) تتم الإشارة إلى عملية الشحن السريع من خلال **وميض** مؤشر شحن المركم الأخضر (4). يمكن أخذ المركم واستخدامه في أي وقت.



ملاحظة: إن عملية الشحن جائزة فقط عندما تقع درجة حرارة المركم ضمن مجال درجة حرارة الشحن المسموحة، تراجع فقرة «البيانات الفنية».

بمجرد الوصول إلى 80 % من قدرة المركم يتباطأ ووميض بيان شحن المركم الأخضر. عندئذ تكون عملية الشحن السريع قد انتهت. إذا ظل المركم في جهاز الشحن يتم إنهاء عملية الشحن في طريقة الشحن Long Life.



الإضاءة المستمرة لمؤشر شحن المركم الأخضر (4)

يشير الضوء المستمر الأخضر بمؤشر شحن المركم (4) إلى أنه قد تم شحن المركم بشكل كامل. يمكن نزع المركم إثر ذلك للاستخدام الفوري.



وصف المنتج والأداء

الأجزاء المصورة

يستند ترقيم الأجزاء المصورة إلى رسم جهاز الشحن الموجود في صفحة الرسوم التخطيطية.

- (1) مركم^(A)
 - (2) حيز الشحن
 - (3) المؤشر الأحمر لشحن المركم
 - (4) المؤشر الأخضر لشحن المركم
- (A) لا يتضمن إطار التوريد الاعتيادي التتابع المصورة أو المشروحة. تجد التتابع الكاملة في برنامجنا للتتابع.

البيانات الفنية

الشاحن		رقم الصنف	
GAL 12V-40		2 607 226 2..	
10,8 - 12	فلط	جهد شحن المركم (التعرف الأوتوماتيكي على الجهد)	
4,0	أمبير	تيار الشحن	
0 - 45	م°	مجال درجة حرارة الشحن المسموح	
100% / (80%)		مدة الشحن عندما تبلغ سعة المركم، تقريبا	
2,0 / 35	دقيقة	- 2,0 أمبير ساعة	
3,0 / 50	دقيقة	- 3,0 أمبير ساعة	
4,0 / 65	دقيقة	- 4,0 أمبير ساعة	
6,0 / 95	دقيقة	- 6,0 أمبير ساعة	
3 - 6		عدد خلايا المركم	
0,45	كجم	الوزن حسب EPTA-Procedure 01:2014	
		فئة الحماية	
		(A) / □	
(A) يسري على رقم الصنف 2 607 226 227			

التشغيل

تركيب جداري

جهاز الشحن يمكن أن يكون قائما (تشغيل ثابت) / استخدام سطح المكتب) أو يمكن تشغيله وهو معلق على الجدار. للتثبيت على الجدار: ثم يعمل ثقبين على مسافة مطابقة للرسم. للتثبيت استخدم لوالب مستديرة الرأس بقطر من 5 مم حتى 6,5 مم كحد أقصى.

خدمة العملاء واستشارات الاستخدام

يجيب مركز خدمة العملاء على الأسئلة المتعلقة بإصلاح المنتج وصيانته، بالإضافة لقطع الغيار. تجد الرسوم التفصيلية والمعلومات الخاصة بقطع الغيار في الموقع: www.bosch-pt.com
يسر فريق Bosch لاستشارات الاستخدام مساعدتك إذا كان لديك أي استفسارات بخصوص منتجاتنا وملحقاتها.
www.powertool-portal.de، بوابة الإنترنت للمرفقين والعمال اليدويين.

عند إرسال أية استفسارات أو طلبات بخصوص قطع غيار يلزم ذكر رقم الصنف ذو الخانات العشر وفقاً للوحة صنع المنتج.

الجزائر

سيستال
منطقة الحدادين الصناعية
06000 بجاية
هاتف: +213 (0) 982 400 991/2
فاكس: +213 (0) 3 420 1569
بريد إلكتروني: sav@siestal-dz.com

البحرين

مؤسسة حاتم الجفالي للمعدات الفنية.
مملكة البحرين، طريق سترة السريع، منطقة العكر
هاتف: +966126971777-311
فاكس: +97317704257
بريد إلكتروني: h.berjas@ejab.com.sa

مصر

RBEG-LLC
22 كمال الدين حسين
شيراتون هليوبوليس
11799 القاهرة
البريد الإلكتروني:
boschegypt.powertools@eg.bosch.com

العراق

مجموعة الصهبا للتكنولوجيا
شارع مطار المثنى
بغداد
هاتف: +9647901906953
هاتف دبي: +97143973851
بريد إلكتروني: bosch@sahbatechnology.com

الأردن

الجذور العربية Roots Arabia – الأردن
شارع ناصر بن جميل، المبنى 37 الرابية
11194 عمان
هاتف: +962 6 5545778
بريد إلكتروني: bosch@rootsjordan.com

الكويت

شركة القرين لتجارة السيارات
منطقة الشويخ الصناعية، مبنى 1، قطعة 16، شارع
رقم 3
صندوق بريد صندوق 164 - 13002 الصفاة
هاتف: 24810844
فاكس: 24810879
بريد إلكتروني: josephkr@aaalmutawa.com
لبنان

دون وضع المرمك تشير الإضاءة المستمرة لمؤشر شمن المرمك (4) إلى أن القابس موضوع في المقبس الكهربائي وأن جهاز الشمن جاهز للتشغيل.

الإضاءة المستمرة لمؤشر شمن المرمك الأحمر (3)

تشير الإضاءة المستمرة لبيان شمن المرمك الأحمر (3) إلى أن درجة حرارة المرمك خارج النطاق المسموح لدرجة حرارة الشمن، انظر الجزء «البيانات الفنية».
بمجرد الوصول إلى نطاق درجة الحرارة المسموح به تبدأ عملية الشمن.



الضوء الوماض لمؤشر شمن المرمك الأحمر (3)

يشير الضوء الخفاق الأحمر بمؤشر شمن المرمك (3) إلى خلل آخر بعملية الشمن، تراجع فقرة «خطأ - الأسباب والعلاج».



الأخطاء - الأسباب والعلاج

السبب العلاج

مؤشر شمن المرمك الأحمر (3) يومض

لا يمكن إجراء عملية الشمن

لم يتم تركيب المرمك بالشكل (الصحيح)	قم بتركيب المرمك في جهاز الشمن بشكل صحيح
ملامسات المرمك متسخة	نظف ملامسات المرمك من خلال تلقيمه ونزعه عدة مرات مثلاً، استبدل المرمك عند الضرورة

المرمك تالف	استبدل المرمك
-------------	---------------

مؤشرا شمن المرمك (4) أو (3) لا يضيئان

قابس الشبكة الكهربائية بجهاز الشمن غير موصول بشكل (كامل)	اغرز قابس الشبكة الكهربائية بالمقبس بشكل (كامل)
تلف بالمقبس، كابل الشبكة الكهربائية أو جهاز الشمن	تفحص جهد الشبكة الكهربائية، اطلب من مركز خدمة زبائن وكالة عدد بوش الكهربائية بتفحص جهاز الشمن عند الضرورة

إرشادات العمل

قد يحمي جهاز الشمن عند دورات الشمن المستمرة أو المتكررة خلف بعضها البعض مرات متعددة. ولكن هذا الأمر لا يستدعي للقلق ولا يدل ذلك على خلل فني بجهاز الشمن.

إذا انخفضت فترة التشغيل بعد الشمن بدرجة كبيرة فهذا يعني أن المرمك قد استهلك وأنه يجب استبداله.

الصيانة والخدمة

الصيانة والتنظيف

إذا تطلب الأمر استبدال خط الإمداد، فينبغي أن يتم ذلك من قبل شركة Bosch أو من قبل مركز خدمة الزبائن المعتمد لشركة Bosch للعدد الكهربائية، لتجنب التعرض للمخاطر.

فاكس: +967-1-279029
بريد إلكتروني: tech-tools@abualrejal.com

التخلص من العدة الكهربائية

ينبغي التخلص من جهاز الشحن والتوابع والتغليف بطريقة منصفة بالبيئة والقابلة لإعادة التصنيع. لا تلق بأجهزة الشحن ضمن النفايات المنزلية!



طميني هنا وشركاه ش.ذ.م.م.
صندوق بريد صندوق 449-90
جديد

الدورة-بيروت

هاتف: +9611255211

بريد إلكتروني: service-pt@tehini-hana.com

المغرب

Robert Bosch Morocco SARL

53، شارع الملازم محمد محرو

20300 الدار البيضاء

الهاتف: +212 5 29 31 43 27

البريد الإلكتروني: sav.outillage@ma.bosch.com
عُمان

ملتن للتجارة والمقاولات ش.م.م.

صندوق بريد صندوق 131

حي روي، 112 سلطنة عُمان

هاتف: +968 99886794

بريد إلكتروني: malatanpowertools@malatan.net

قطر

الدولية لملول البناء ش.م.م.

صندوق بريد صندوق 51،

هاتف الدوحة: +974 40065458

فاكس: +974 4453 8585

بريد إلكتروني: csd@icsdoha.com

المملكة العربية السعودية

الجفالي وأخوانه للمعدات الفنية (جيتكو)

الكيلو 14، طريق المدينة، منطقة البوادي

جدة 21431

هاتف: +966 2 6672222 فرعي 1528

فاكس: +966 2 6676308

بريد إلكتروني: roland@eajb.com.sa

سوريا

مؤسسة دلال للأدوات الكهربائية

صندوق بريد صندوق 1030

حلب

هاتف: +963212116083

بريد إلكتروني: rita.dallal@hotmail.com

تونس

روبرت بوش تونس ش.ذ.م.م.

7 زنقة ابن بطوطة Z.ا. سان جوبان

مقرين رياض

2014 ابن عروس

هاتف: +216 71 427 496/879

فاكس: +216 71 428 621

بريد إلكتروني: sav.outillage@tn.bosch.com

الإمارات العربية المتحدة

المركزية للسيارات والمعدات ذ.م.م، صندوق بريد

صندوق 1984

شارع الوحدة - مبنى صنعا القديمة

الشارقة

هاتف: +971 6 593 2777

فاكس: +971 6 533 2269

بريد إلكتروني: powertools@centralmotors.ae

اليمن

مؤسسة أبو الرجال التجارية

صنعا، شارع الزبيري. أمام مبنى البرلمان الجديد

هاتف: +967-1-202010

بایستی با ولتاژ دستگاه شارژ مطابق باشد. باتریهای غیر قابل شارژ را شارژ نکنید. در غیر اینصورت خطر آتش سوزی یا انفجار وجود دارد.

 **دستگاه شارژ را از باران و رطوبت دور نگهدارید.** نفوذ آب به ابزار الکتریکی، خطر شوک الکتریکی را افزایش میدهد.

◀ **دستگاه شارژ را تمیز نگهدارید.** آلودگی می تواند خطر ایجاد شوک الکتریکی داشته باشد.

◀ **قبل از هر بار استفاده، دستگاه شارژ، کابل و دوشاخه را کنترل کنید.** در صورت تشخیص هر گونه آسیب دیدگی، از دستگاه شارژ استفاده نکنید

◀ **دستگاه شارژ را سر خود باز نکنید و برای تعمیر دستگاه فقط به متخصصین حرفه ای رجوع و از وسایل یدکی اصل استفاده کنید.** دستگاه شارژ، دوشاخه و کابل های آسیب دیده، خطر برق گرفتگی را افزایش میدهند.

◀ **دستگاه شارژ را در سطح قابل اشتعال (مثلاً روی کاغذ، پارچه و غیره) یا در محیط با قابلیت آتشسوزی بکار نبرید.** به دلیل ایجاد گرمای حاصل از کار دستگاه، خطر بروز آتشسوزی وجود دارد.

◀ **شیار تهویه ی دستگاه شارژ را نبوشانید.** دستگاه شارژ ممکن است در غیر اینصورت درست کار نکند.

◀ **باتریها را منحصراً توسط شارژرهایی که توسط سازنده توصیه شدهاند، شارژ کنید.** در صورتی که برای شارژ باتری، آنرا در شارژری قرار دهید که برای آن باتری ساخته نشده است، خطر آتش سوزی وجود دارد.

◀ **در صورتیکه باتری آسیب دیده باشد و یا از آن بطور بی رویه استفاده شود، ممکن است از باتری بخارهایی بلند شود.** در این حالت هوای محیط را تازه کنید؛ اگر احساس ناراحتی کردید، به پزشک مراجعه نمایید. استنشاق این بخارها ممکن است به مجاری تنفسی شما آسیب برساند.

◀ **استفاده بی رویه از باتری میتواند باعث خروج مایعات از آن شود؛ از هر گونه تماس با این مایعات خودداری کنید.** در صورت تماس اتفاقی با آن، دست خود و یا محل تماس را با آب بشوئید. در صورت آلوده شدن چشم با این مایع، باید به پزشک مراجعه کنید. مایع خارج شده از باتری میتواند باعث التهاب پوست و سوختگی شود.

آفارسى

دستورات ایمنی

همه دستورات ایمنی و راهنماییها را بخوانید. اشتباهات ناشی از عدم رعایت این دستورات ایمنی ممکن است باعث برقگرفتگی، سوختگی و یا سایر جراحات های شدید شود.



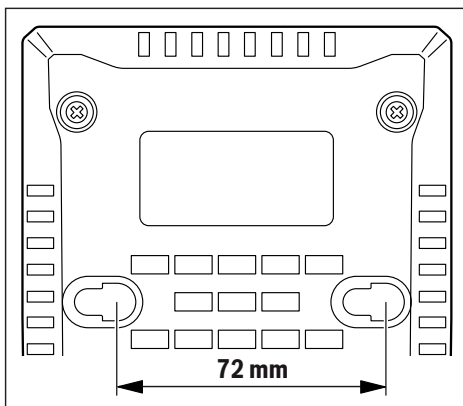
این هشدارها و راهنمایی ها را خوب نگهداری کنید.

لطفاً دستگاه شارژ را زمانی بکار گیرید که از کلیه لزومات عملکرد آن بخوبی واقف باشید و کاملاً بتوانید با دستگاه کار کنید و همچنین راهنمایی های لازم را دریافت کرده باشید.

◀ دستگاه شارژ برای کودکان و سایر افراد دارای کاستیهای روحی و جسمی یا بدون تجربه یا آشنایی در نظر گرفته نشده است. کودکان بالای 8 سال و سایر افراد دارای کاستیهای روحی و جسمی یا بدون تجربه یا آشنایی که نمی توانند این دستگاه شارژ را با اطمینان بکار برند، می توانند از دستگاه شارژ با نظارت یا توجیه روش کاربری و خطرات ممکن بوسیله یک فرد مسؤول استفاده کنند. در غیر اینصورت خطر کاربرد اشتباه و جراحت وجود دارد.

◀ **هنگام استفاده، سرویس و تمیز کاری کودکان را زیر نظر داشته باشید.** اینگونه اطمینان حاصل می کنید که کودکان با دستگاه شارژ بازی نمی کنند.

◀ **تنها Bosch تنها باتریهای لیتیوم-یونی از ظرفیت Ah2,0 (از 3 باتریهای ساعتی) استفاده کنید.** ولتاژ باتری



راه اندازی و نحوه کاربرد دستگاه

◀ **به ولتاژ برق شبکه توجه کنید!** ولتاژ منبع جریان برق باید مقادیر مندرج در مشخصات و ارقام فنی دستگاه شارژ شما مطابقت داشته باشد. ابزارهای برقی را که با ولتاژ 230 V ولت مشخص شده اند، می توان تحت ولتاژ 220 V ولت نیز بکار برد.

فرآیند شارژ

به محض قرار گرفتن دوشاخه دستگاه شارژ در پریز و باتری (1) در جای شارژ (2) فرآیند شارژ شروع می شود.

بوسیله روش ماهرانه شارژ، میزان شارژ باتری بطور اتوماتیک مشخص و باتری تحت جریان شارژ ایده آل، بر حسب میزان دما و همچنین ولتاژ آن، شارژ میشود. با این روش طول عمر باتری افزایش یافته و به هنگام نگهداری آن در داخل دستگاه شارژ همواره بطور کامل، شارژ باقی میماند.

مفهوم چراغهای نمایشگر

چراغ سبز رنگ چشمکزن، نمایشگر شارژ باتری (4)

فرآیند شارژ سریع با چشمک زدن نمایشگر سبزرنگ شارژ باتری (4) مشخص می شود. باتری را می توان هر زمان برداشت و استفاده کرد.



نکته: انجام شارژ تنها در صورت قرار داشتن دمای باتری در محدوده دمای مجاز ممکن است، رجوع کنید به «مشخصات فنی».

در صورت بدست آمدن حدود 80 % ظرفیت شارژ باتری، آهنگ چشمک زدن نمایشگر سبز وضعیت شارژ باتری کاهش می یابد. فرآیند شارژ سریع اکنون تمام شده است. در صورت ماندن باتری در دستگاه شارژ، فرآیند شارژ در وضعیت شارژ Long Life تمام می شود.



چراغ سبز رنگ ممتد، نمایشگر شارژ باتری (4)

روشن بودن ممتد چراغ سبزرنگ نمایشگر شارژ باتری (4) نشاندهنده پر بودن کامل باتری است.



پس از آن میتوان باتری را برداشت و بلافاصله مورد استفاده قرار داد.

توضیحات محصول و کارکرد

اجزاء دستگاه

شماره های اجزاء دستگاه که در تصویر مشاهده میشود، مربوط به دستگاه شارژی می باشد که تصویر آن در این دفترچه راهنما آمده است.

- (1) باتری^(A)
- (2) جای شارژ
- (3) چراغ قرمز رنگ، نمایشگر شارژ باتری
- (4) چراغ سبز رنگ، نمایشگر شارژ باتری

(A) کلیه متعلقاتی که در تصویر و یا در متن آمده است، بطور معمول همراه دستگاه ارائه نمی شود. لطفاً لیست کامل متعلقات را از فهرست برنامه متعلقات اقتباس نمایید.

مشخصات فنی

دستگاه شارژ GAL 12V-40	
2 607 226 2..	شماره فنی
10,8 - 12	ولتاژ شارژ باتری (تشخیص اتوماتیک ولتاژ)
4,0	جریان شارژ
0 - 45	درجه حرارت مجاز برای شارژ
(80%) / 100%	مدت زمان شارژ برای باتری با ظرفیت تقریباً
(24) / 35	Ah 2,0 -
(36) / 50	Ah 3,0 -
(48) / 65	Ah 4,0 -
(72) / 95	Ah 6,0 -
3 - 6	تعداد باتریها
0,45	وزن مطابق استاندارد EPTA-Procedure 01:2014
□/ ^(A)	کلاس ایمنی
نیست	

(A) برای شماره فنی معتبر نیست 2 607 226 227

طرز کار با دستگاه

نصب به دیوار

دستگاه شارژ را می توان یا ایستاده (روی میز/ desktop use) یا نصب شده روی دیوار بکار برد. برای نصب روی دیوار، به فاصله مطابق با تصویر دو سوراخ روی دیوار ایجاد کنید. تنها از کاغذ سنباده های با قطر 5 میلیمتر و بیشینه 6,5 میلیمتر استفاده کنید.

مراقبت و سرویس

مراقبت، تعمیر و تمیز کردن دستگاه

در صورت نیاز به یک کابل پدکی برای اتصال به شبکه برق، بایستی به شرکت **Bosch** یا به نمایندگی مجاز **Bosch** (خدمات پس از فروش) برای ابزار آلات برقی مراجعه کنید تا از بروز خطرات ایمنی جلوگیری بعمل آید.

خدمات و مشاوره با مشتریان

دفتر خدمات پس از فروش به سئوالات شما در باره تعمیرات، سرویس و همچنین قطعات پدکی و متعلقات پاسخ خواهد داد. نقشه‌های سه بعدی و اطلاعات در مورد قطعات پدکی را در تارنمای زیر مییابید: www.bosch-pt.com
تیم مشاوره کاربری Bosch به سئوالات شما در مورد محصولات ما و متعلقات آنها پاسخ می دهد.
www.powertool-portal.de. سامانه اینترنتی برای صنعتگران و مشاغل فنی.

برای هرگونه سؤال و یا سفارش ابزار پدکی و متعلقات، حتماً شماره فنی ده رقمی کالا را مطابق برچسب روی ابزار برقی اطلاع دهید.

ایران

روبرت بوش ایران - شرکت بوش تجارت پارس
میدان ونک، خیابان شهید خدای، خیابان آفتاب
ساختمان مادیران، شماره 3، طبقه سوم.
تهران 1994834571
تلفن: +9821 42039000

از رده خارج کردن دستگاه

دستگاه شارژ، متعلقات و بسته بندی آن باید طبق مقررات حفظ محیط زیست از رده خارج و بازیافت شوند.

دستگاه های شارژ باتری را داخل زباله دان خانگی نیندازید!



بدون قرار گرفتن باتری، نمایشگر شارژ باتری (4) نشان می دهد که دوشاخه به برق متصل و دستگاه شارژ آماده کار است.

چراغ قرمز رنگ ممتد، نمایشگر شارژ باتری (3)

چراغ ممتد قرمز نمایشگر وضعیت شارژ باتری (3) نشان می دهد که دمای باتری خارج از محدوده دمای مجاز شارژ قرار دارد، رجوع کنید به بخش "مشخصات فنی". به محض رسیدن به محدوده دمای مجاز، فرایند شارژ شروع می شود.



چراغ قرمز رنگ چشمکزن، نمایشگر شارژ باتری (3)

چراغ قرمز چشمکزن نمایشگر شارژ باتری (3) نشان دهنده اختلال دیگری در فرایند شارژ است، رجوع کنید به بخش "خطا - دلایل و راه حل".



خطا - دلایل و راه حل

علت	راهنمایی
نمایشگر قرمز رنگ باتری (3) چشمک می زند	فرایند شارژ ممکن انجام نمی شود
باتری قرار داده نشده و یا بدرستی قرار داده نشده است	باتری را درست روی دستگاه شارژ قرار دهید
ترمینالهای (کنتاکت های) باتری آلوده شده اند	اتصالهای باتری را تمیز کنید؛ مثلاً با بیرون آوردن و جازدن چند باره باتری یا تعویض آن
باتری قابل استفاده نمیباشد	باتری را تعویض نمایید
نمایشگرهای باتری (4) یا (3) روشن نمی شوند	دو شاخه اتصال دستگاه شارژ یا به جریان برق متصل نیست و یا اینکه به درستی متصل نیست
دو شاخه اتصال دستگاه شارژ یا به جریان برق متصل نیست و یا اینکه به درستی متصل نیست	دو شاخه اتصال، کابل برق و یا دستگاه شارژ ایراد دارد
دو شاخه اتصال، کابل برق و یا دستگاه شارژ ایراد دارد	ولتاژ شبکه را کنترل نمایید، دستگاه شارژر در صورت لزوم از طرف یک شرکت مجازی که خدمات پس از فروش برای ابزارآلات برقی شرکت بوش را ارائه میدهد کنترل شود

راهنماییهای عملی

چنانچه چندین بار بطور مداوم و بدون وقفه فرایند شارژ انجام بگیرد، امکان گرم شدن دستگاه شارژ وجود دارد. این جای نگرانی نیست و به معنای وجود یک نقص فنی در دستگاه شارژ نمی باشد.

افت قابل توجه مدت زمان کارکرد باتری که تازه شارژ شده است، نمایانگر آن است که باتری فرسوده و مستعمل شده و باید تعویض شود.