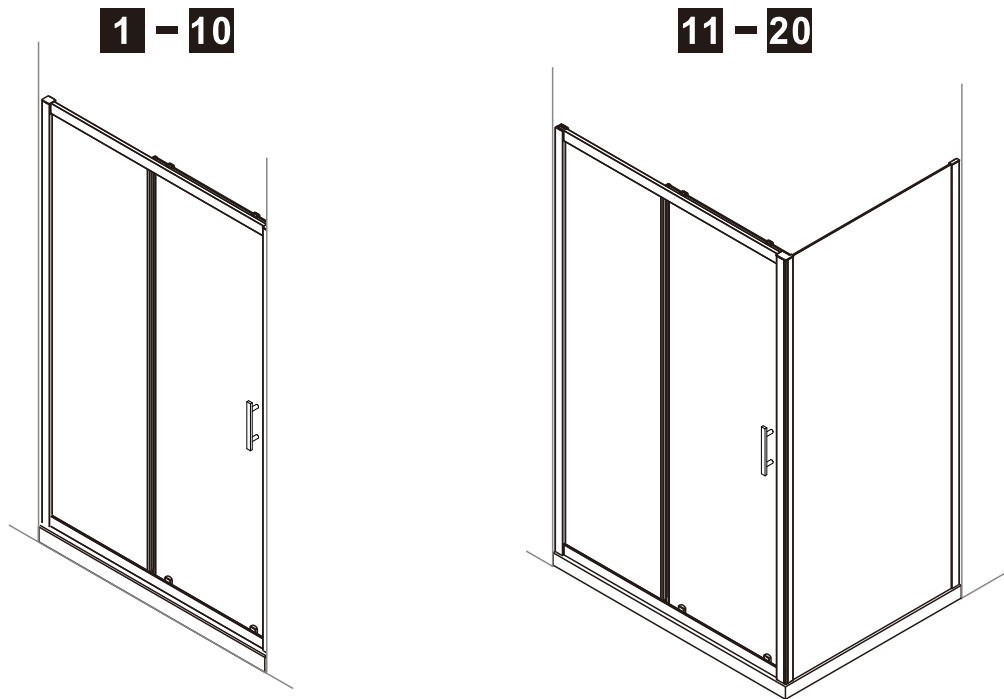


SLIDING DOOR INSTALLATION GUIDE



***Please read these instructions carefully and keep for future reference.
Incorrect fitting will invalidate the guarantee.***

SAFETY

- Handle glass with great care. Although the glass is very tough, sharp impacts can damage both the glass and metal frame.
- Make sure there are no hidden pipes or cables hidden in the wall where you intend to drill.
- Wear safety goggles, shoes and appropriate clothing.

BEFORE INSTALLATION



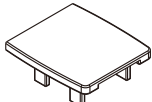
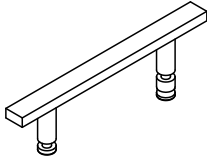
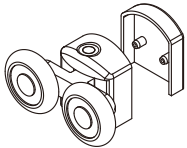
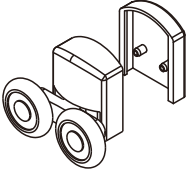
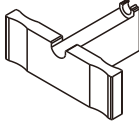

- Check that the shower tray is level in all directions. The enclosure will not sit correctly on an uneven surface. If uneven, the wall channels may not fit and the doors may not shut correctly.
- The enclosure should be fitted on tiled walls which are sealed with waterproof grout.
- There must be a good silicone seal between the rim of the shower tray and the wall.
- The shower tray and the enclosure must match in size. Attempting to fit the incorrect size of enclosure to the shower tray will result in water leaks.
- Always check very carefully that components are vertical.
- To avoid damage, use the opened out packaging to build the enclosure on.

Equipment needed:

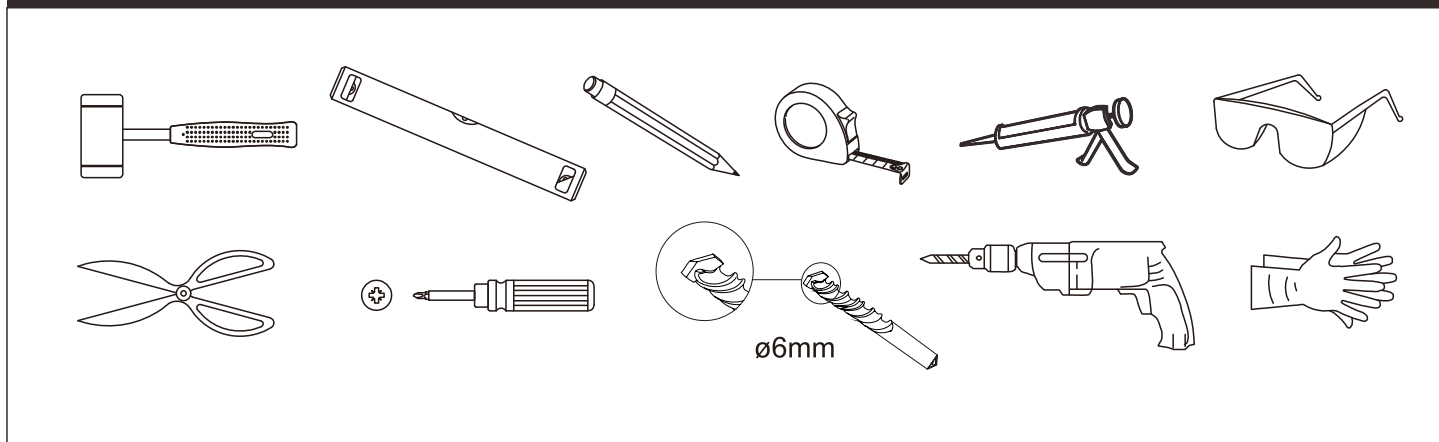
Drill, 6.0mm Masonry Bit, Crosshead PH2 Screwdriver, Spirit Level, Pencil, Tape Measure, Silicone Sealant.

Note: The screws and wall plugs supplied are for masonry walls. For lightweight walls i.e. stud partition, plasterboard etc, use the correct type of fixings.

FIXING KIT COMPONENTS

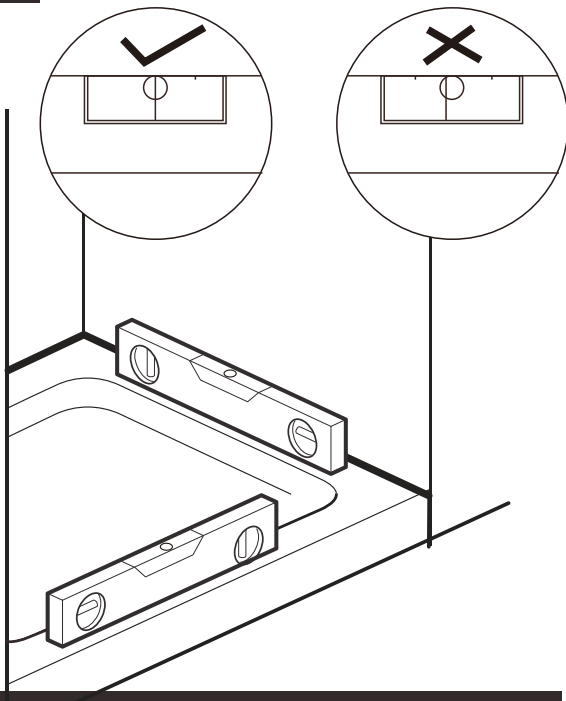
6		6		2		
2		2		1		
				1	 3#	
						1

TOOLS REQUIRED

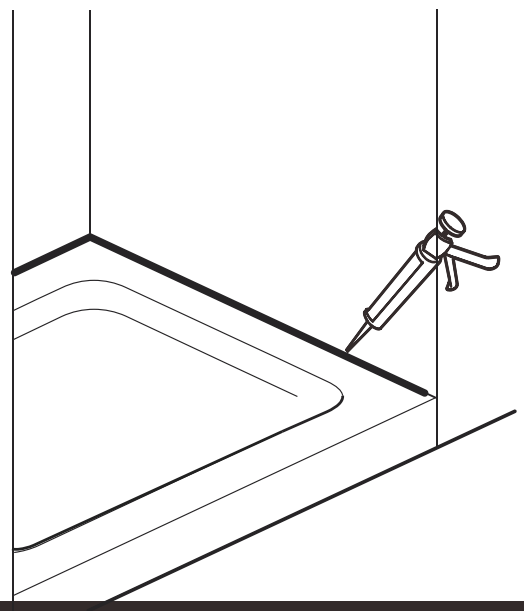


SLIDER DOOR CODE	DOOR SIZE IN MM	OVERALL ADJUSTMENT IN RECESS MM
Z310	1000	950-990
Z311	1100	1050-1090
Z312	1200	1150-1190
Z314	1400	1350-1390
Z317	1700	1650-1690

STAGE 1

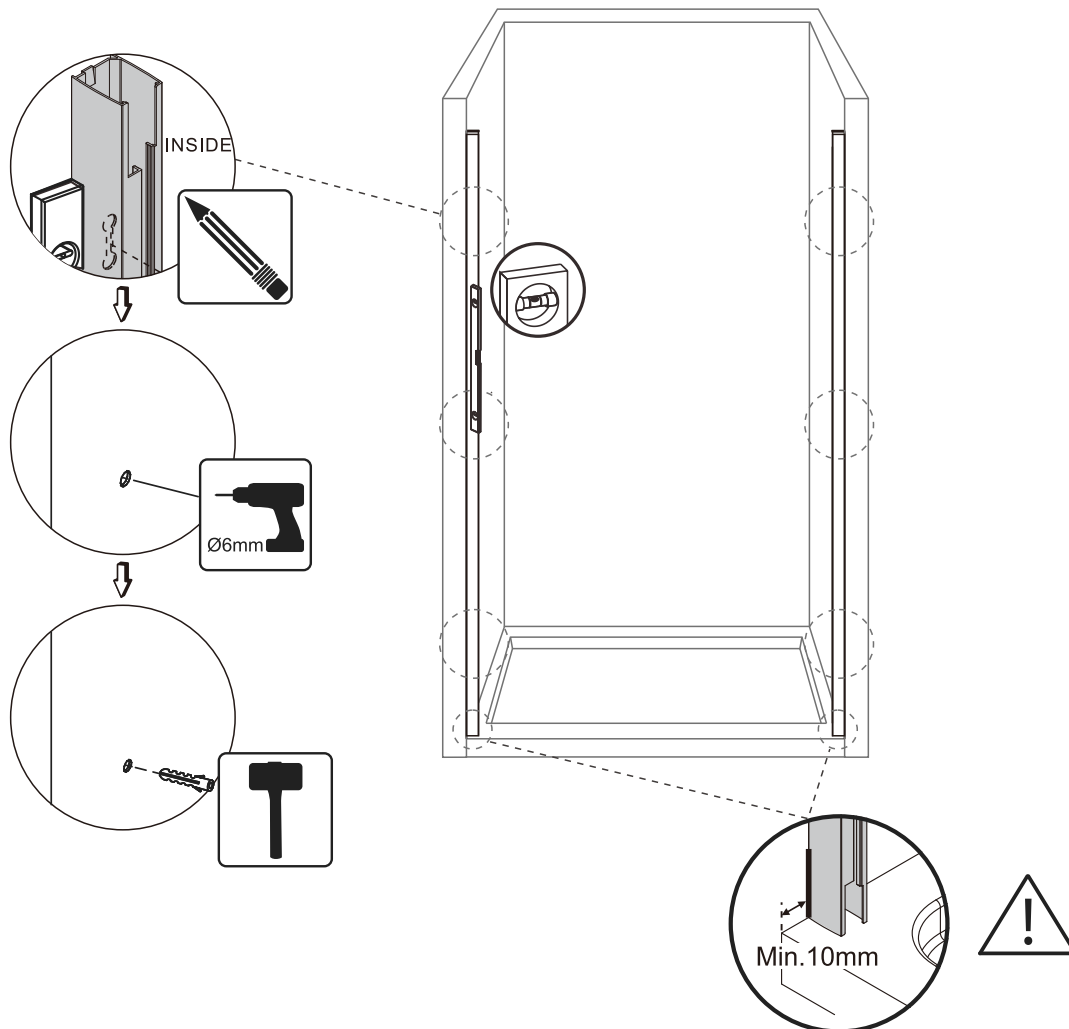


STAGE 2



STAGE 3

Before marking the fixing positions check the label on the back of the profile indicating the side of the profile to face inside !



STAGE 4

Build the product on the tray starting with the bottom profile.

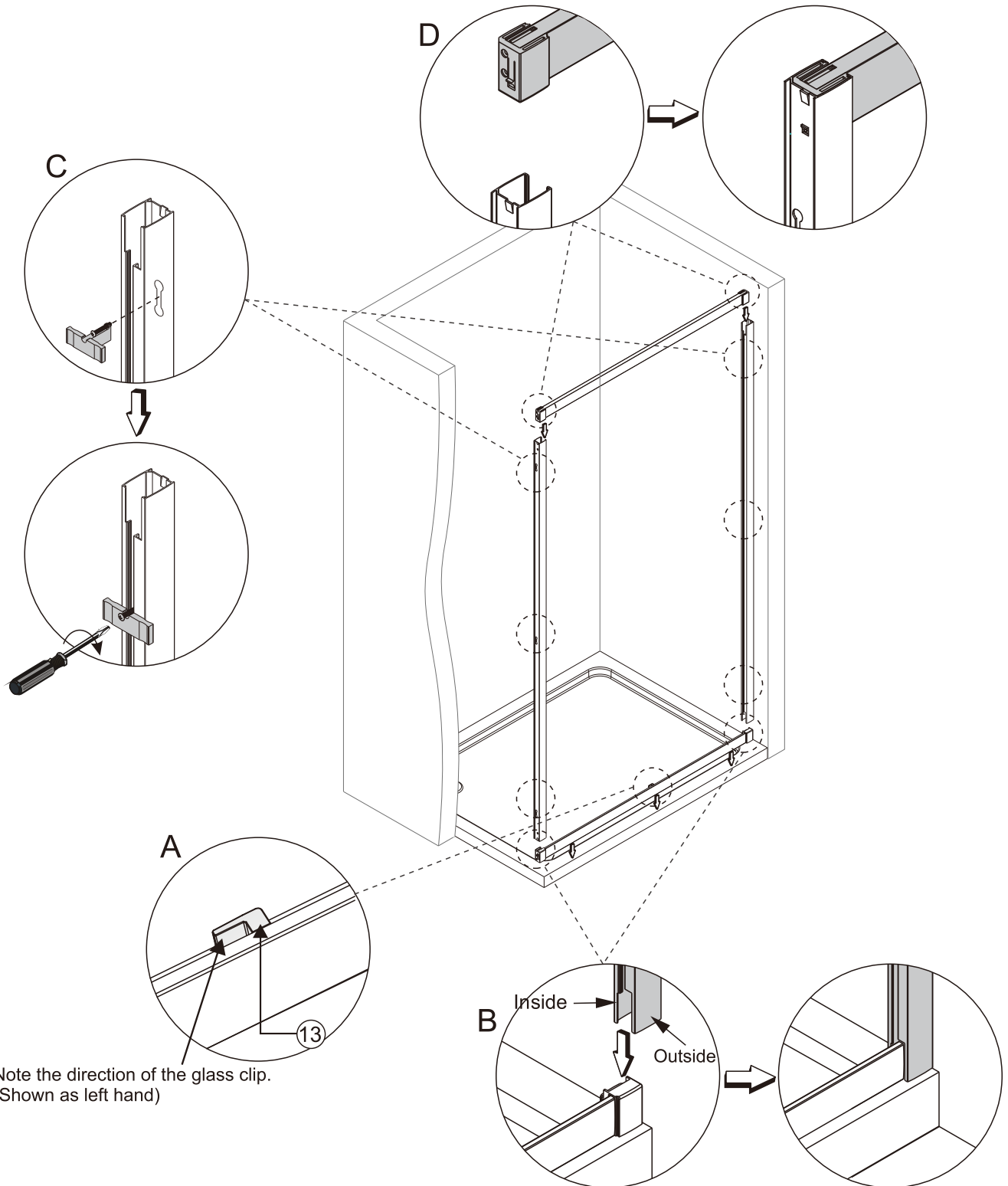
NOTE: Product shown in left hand configuration from this point.

A. Note the direction of the glass clip.

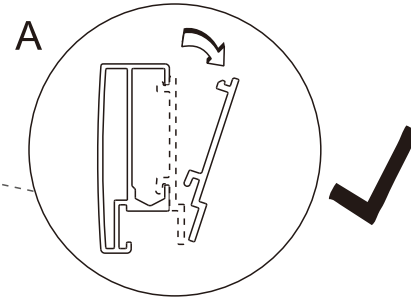
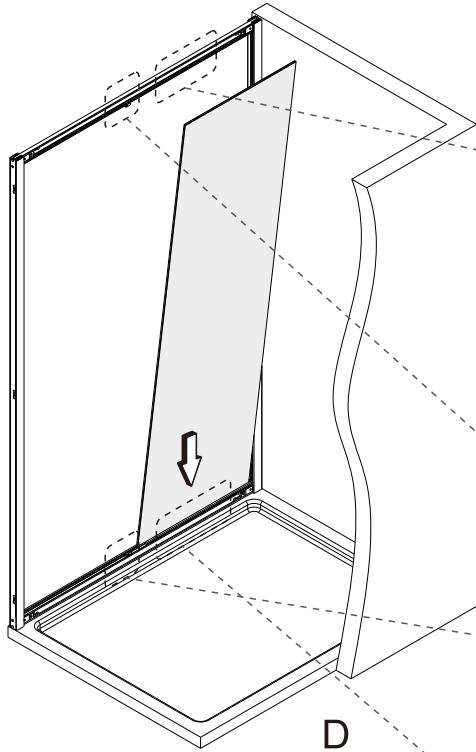
B. Slide the wall profile fully over the nylon bracket.

C. Load the 4 x 30 screw onto the tool provided and fix the wall profiles top, middle and bottom.

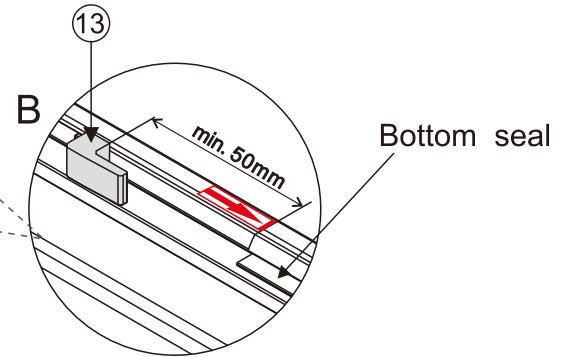
D. Slide the top frame fully into the ends of the wall profiles. Check the frame is locked in place and does not slide back out of the frame.



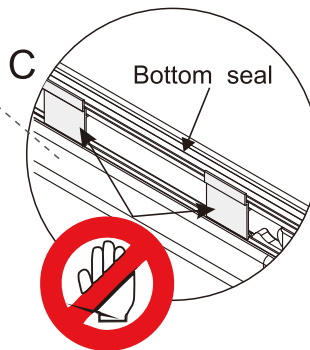
STAGE 5



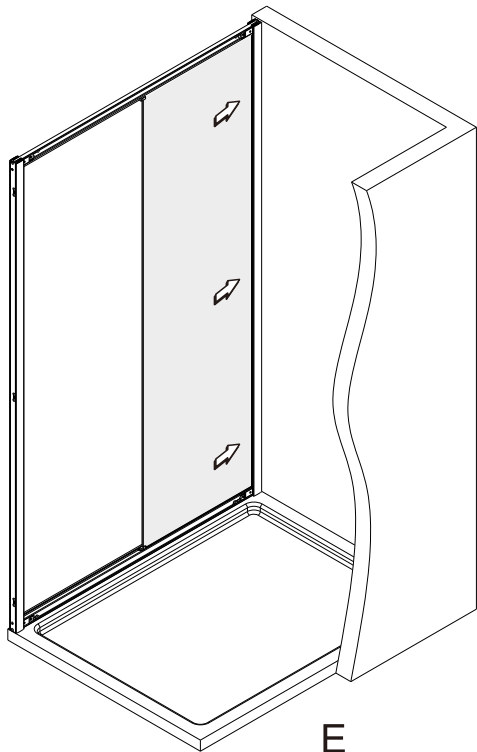
Remove the PVC installation tool by releasing the side closest to the top first the lift out from the frame.



Slide the clip [13] away from the seal on the top and bottom of the frame.



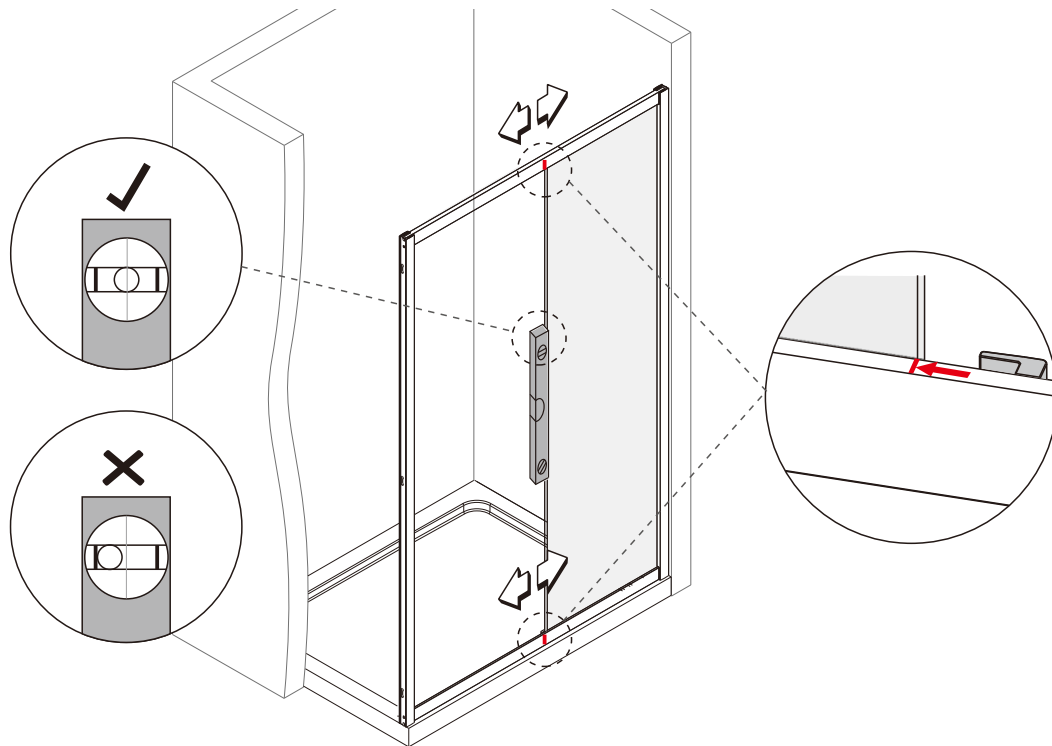
Leave the bottom PVC installation tool in place to aid the fitting of the fixed glass panel. Note: make sure the installation tools are positioned at the bottom seal



- D. Standing inside the enclosure, place the bottom of the fixed panel on the frame at a slight angle. Then lean the panel forward into the top frame.
- E. Slide the glass panel into the wall profile.

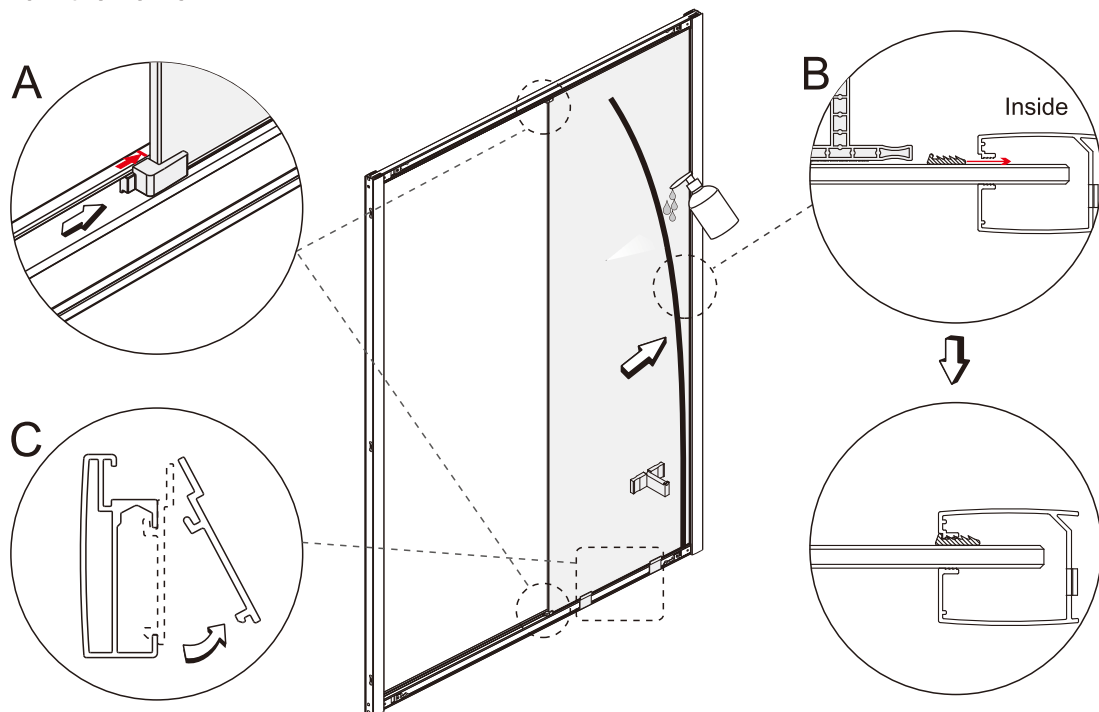
STAGE 6

Adjust the top and bottom profile to align glass edge with the red line on the labels while ensuring the glass is plumb.



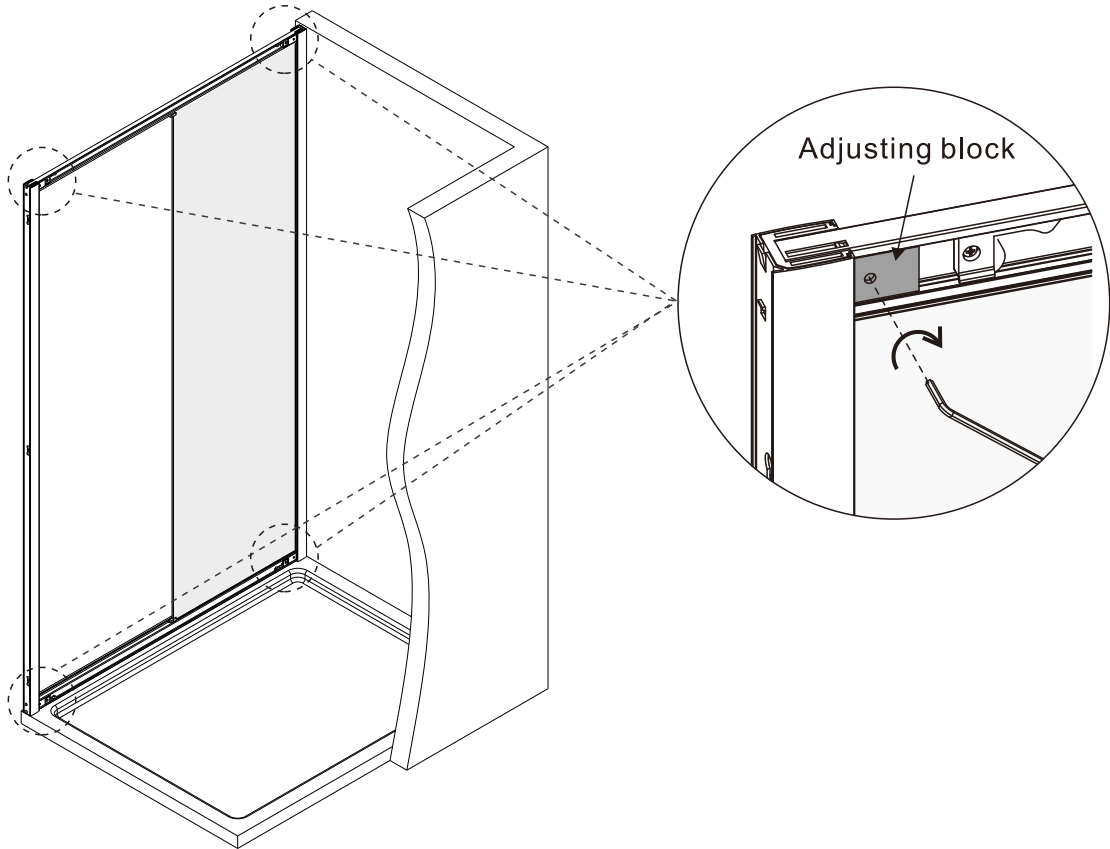
STAGE 7

- A. Slide the clip over the fixed panel on both the top and bottom.
- B. Starting at the bottom use the tool provided to insert the wedge gasket between the glass and the profile. Keep the flat side to the glass and the ridged side to the profile. Top Tip ! Dampen the seal with water to help slide into place.
- C. Remove the bottom PVC installation tool by releasing the side closest to the bottom first, then lift out from the frame.



STAGE 8

Tighten the grub screws until they are flush with the 'adjusting block'.

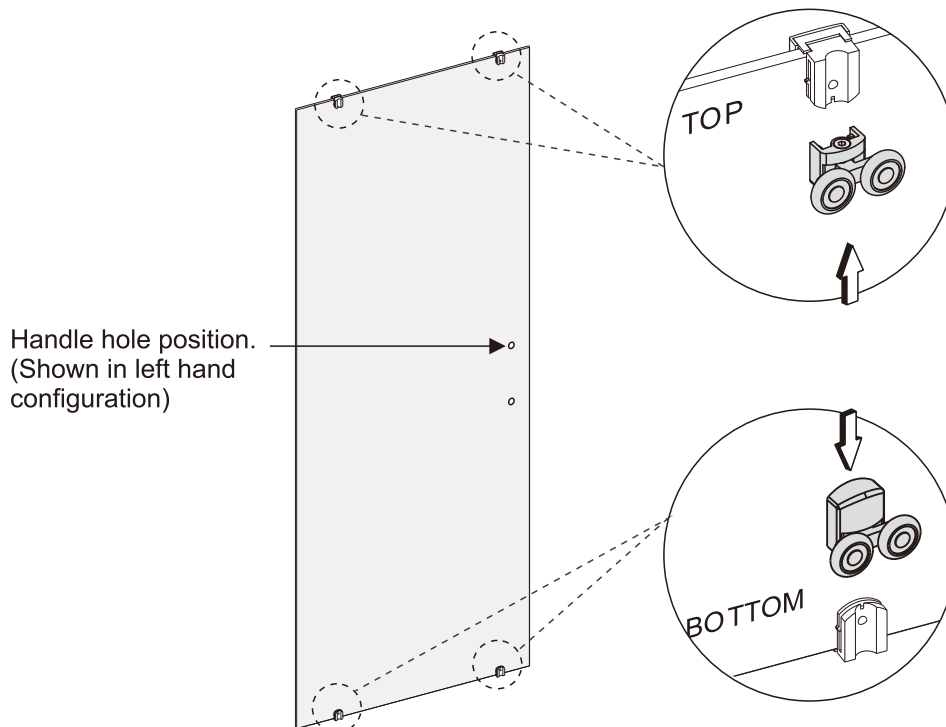


STAGE 9

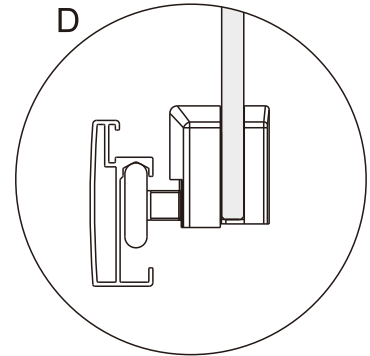
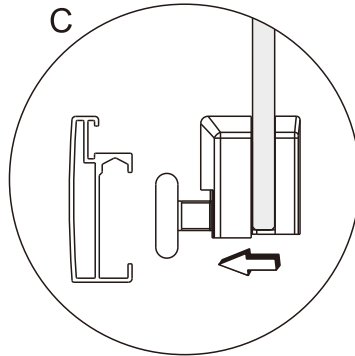
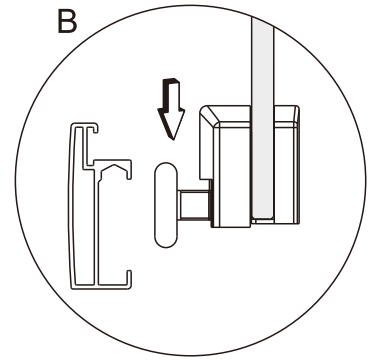
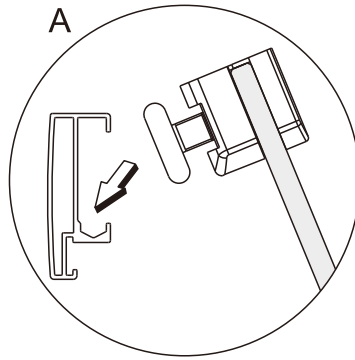
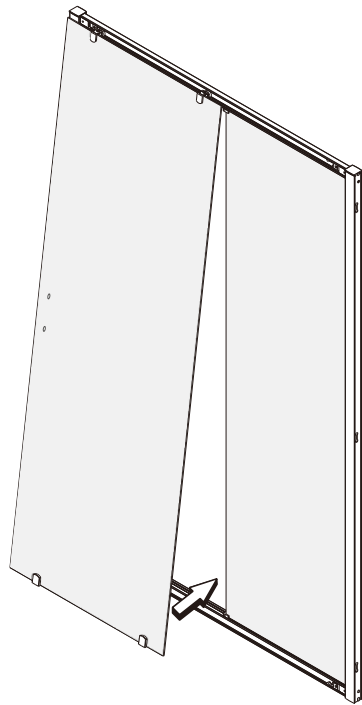
Orientate the door to match the product handing, shown here as left hand.

Note the position of the hole for the handle.

Slide the rollers labeled 'TOP' onto the top and the 'BOTTOM' onto the bottom housings.

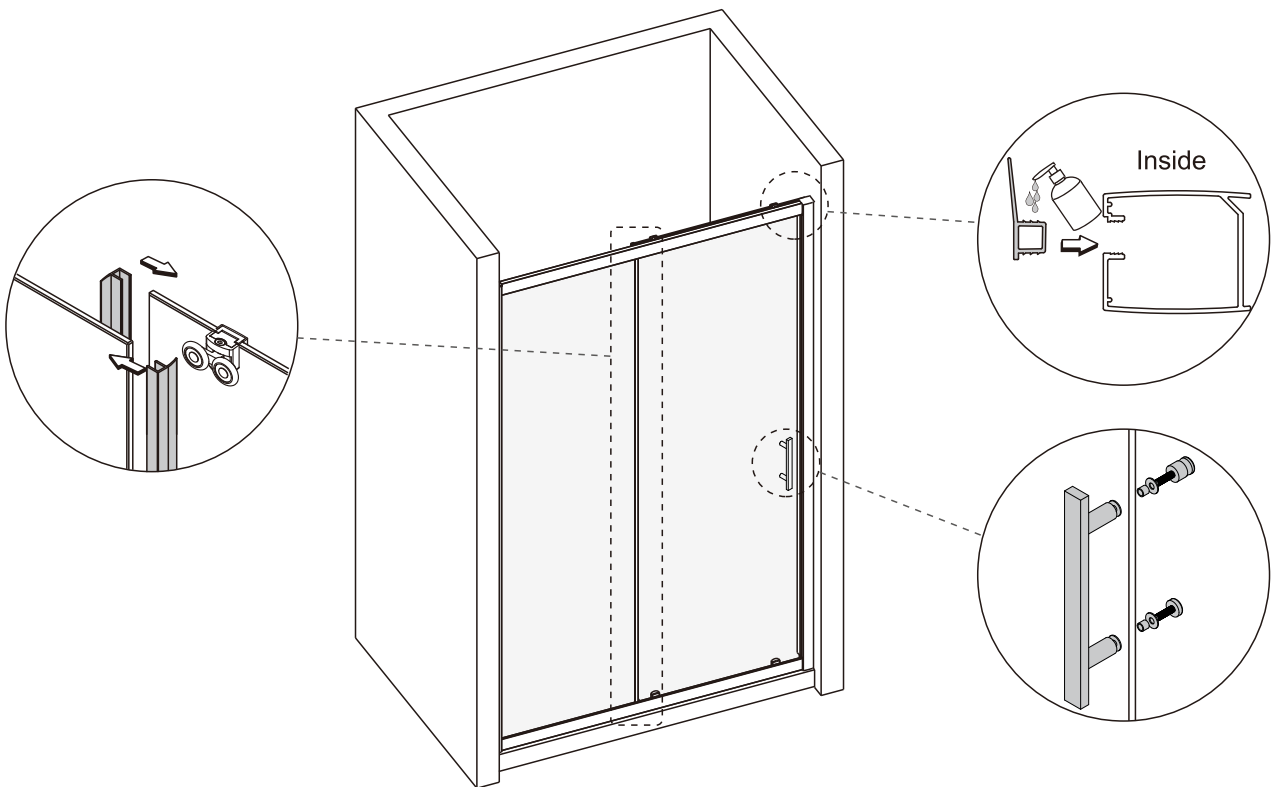


STAGE 10



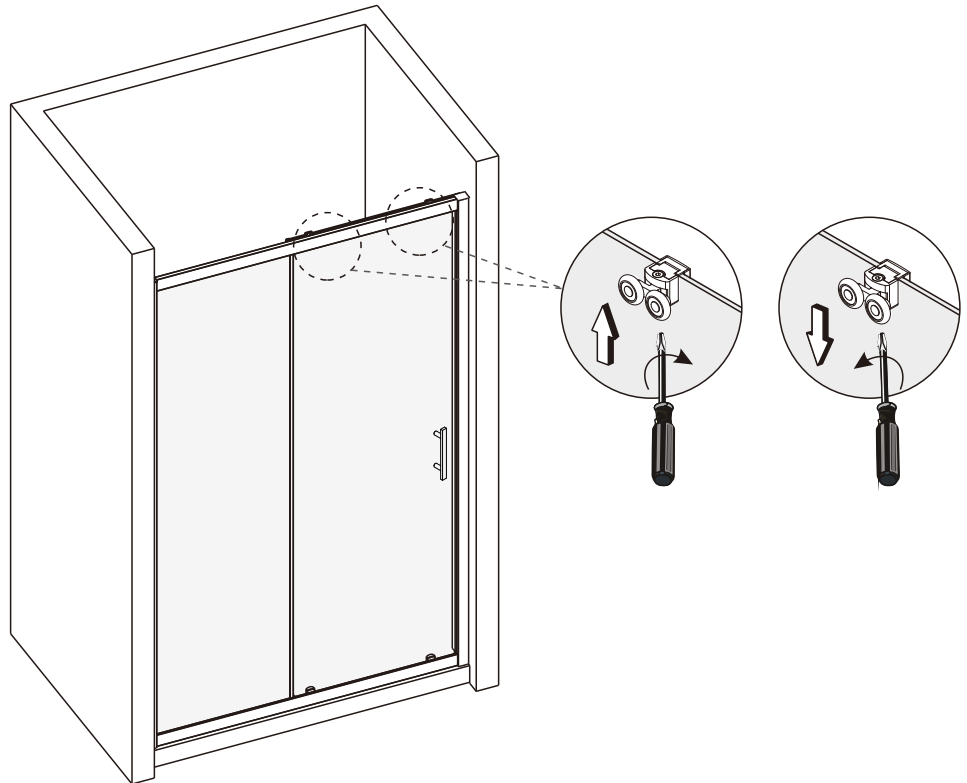
STAGE 11

Top Tip ! To help fit the seals, first dampen with water . This is particularly useful for the closing seal.



STAGE 12

Adjust the rollers to ensure the moving panel is plumb and the overlap of both panels is parallel.



STAGE 13

Before sealing make sure all surfaces are clean, dry and free from any residue such as grout.

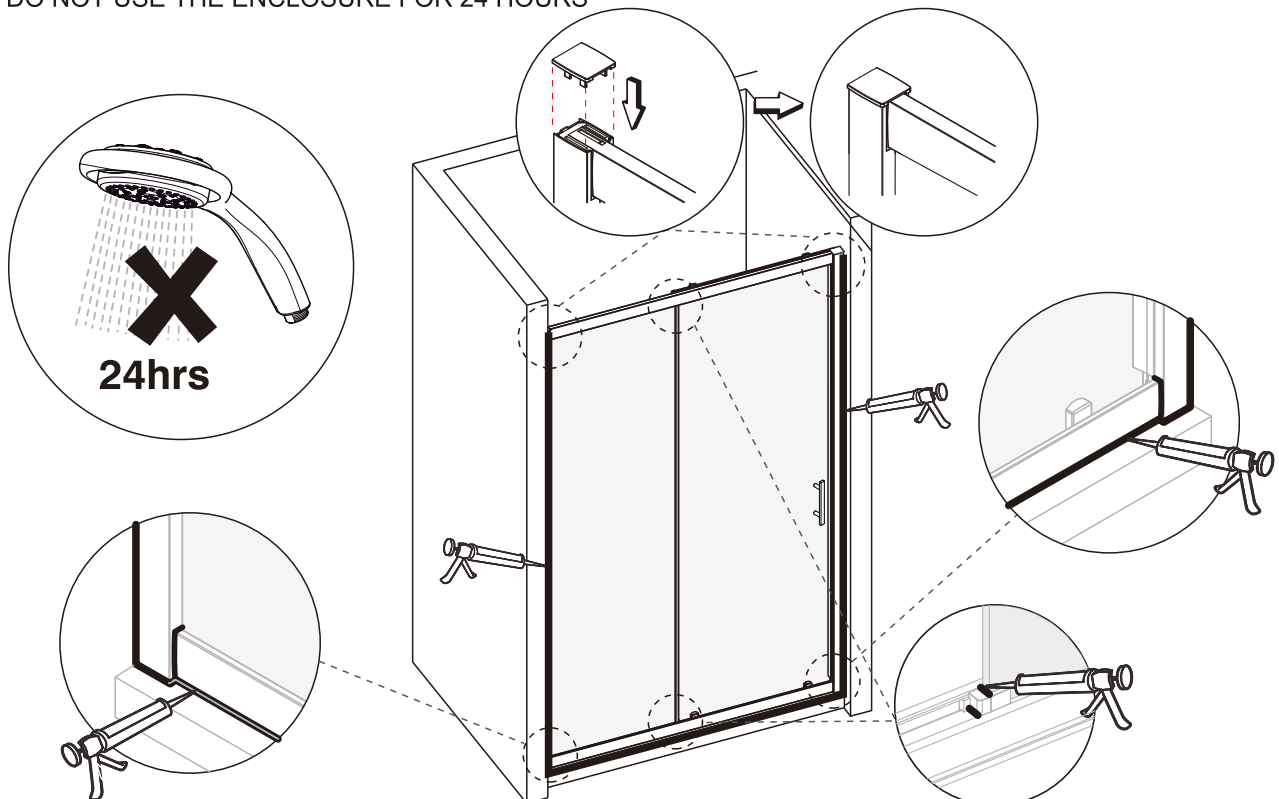
Use a quality silicone sealant and applicator gun to finish the door.

Seal between the wall and the wall profile.

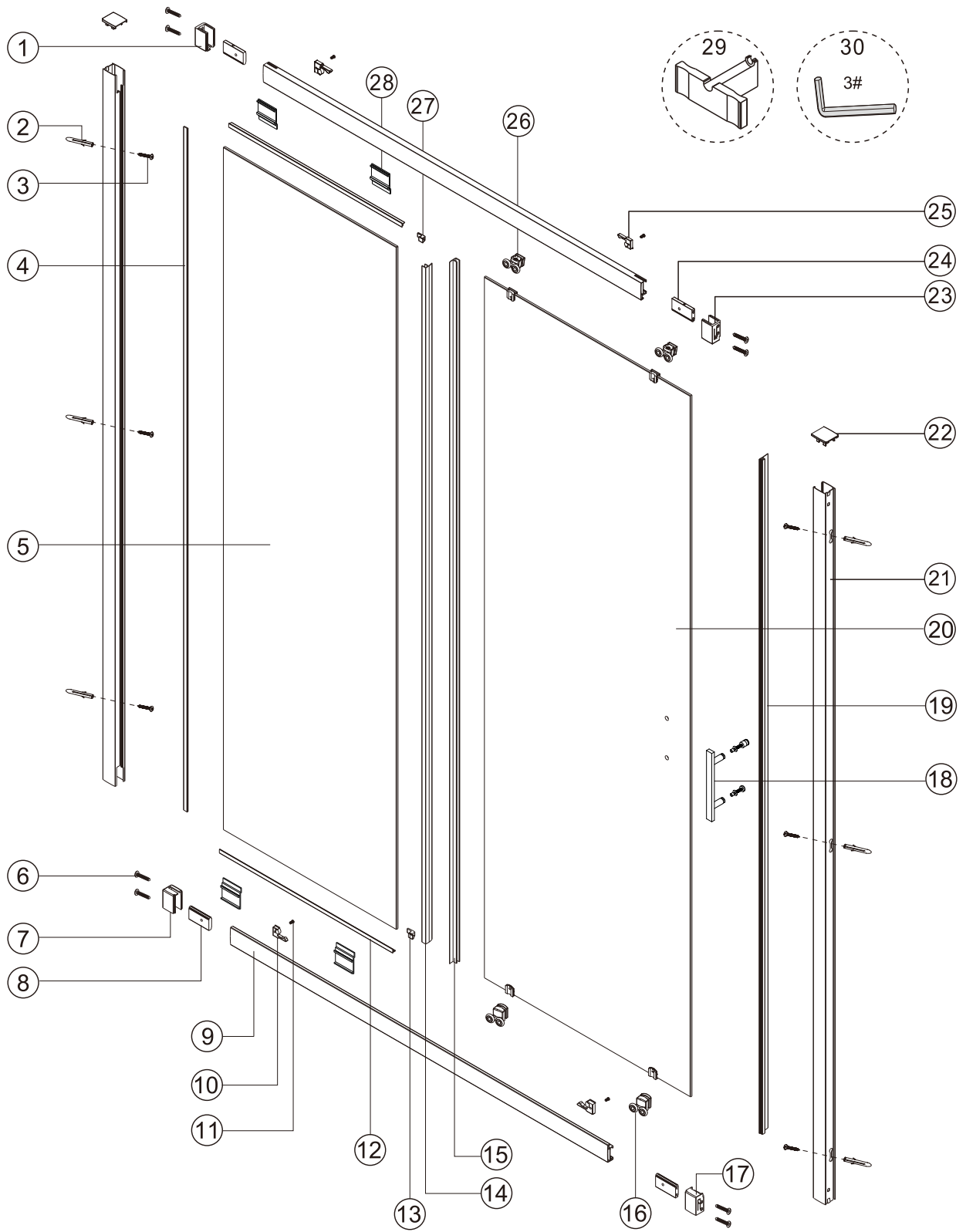
On the top and bottom frame seal between the fixed panel seal and the clip, and between the clip and frame.

Seal between the bottom profile and the tray/tile.

DO NOT USE THE ENCLOSURE FOR 24 HOURS


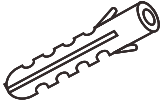
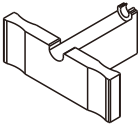

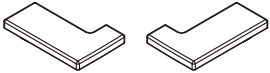
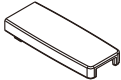


PARTS LIST

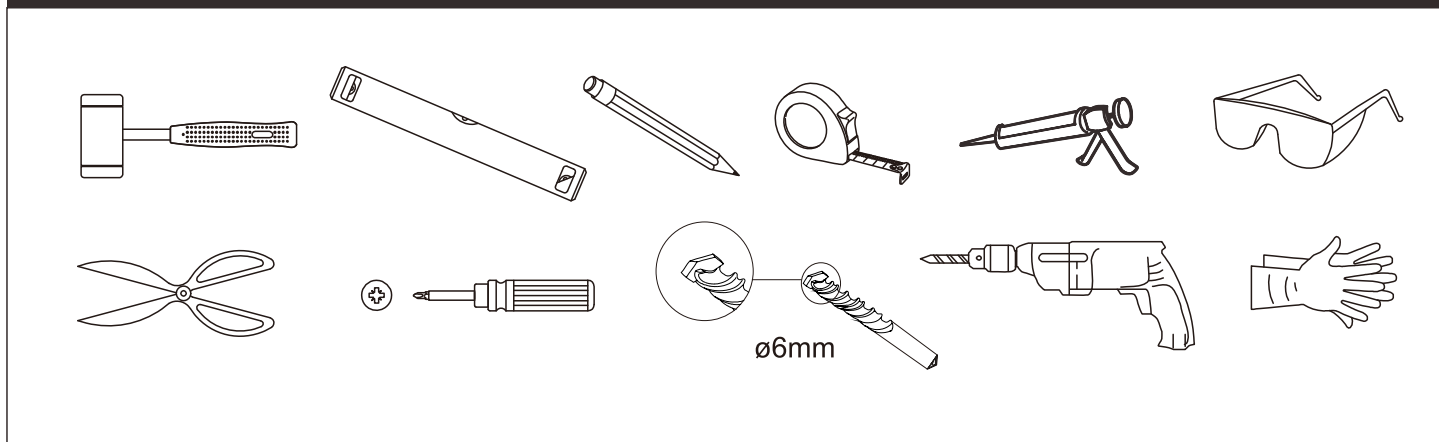


Item No.	Part List Description	Part Code	Sliding Door Size Variations				
			1000	1100	1200	1400	1700
1	Fixed panel sleeve A	K001	1	1	1	1	1
2	Wall plug	2SP12	6	6	6	6	6
3	4 x 30 frame fixing round screw	2SY51	6	6	6	6	6
4	Wedge gasket 2.5mm	K165	1	1	1	1	1
5	Fixed panel - various sizes	N/A	1	1	1	1	1
6	Countersunk head screw	K145	8	8	8	8	8
7	Fixed panel sleeve B	K002	1	1	1	1	1
8	Nylon adjusting block Right	K009	2	2	2	2	2
9	Sliding door rail set W1000mm	K061	1				
9	Sliding door rail set W1100mm	K062		1			
9	Sliding door rail set W1200mm	K063			1		
9	Sliding door rail set W1400mm	K064				1	
9	Sliding door rail set W1500mm	K065					
9	Sliding door rail set W1600mm	K066					
9	Sliding door rail set W1700mm	K067					1
10	Roller stop Right	K006	2	2	2	2	2
11	Panhead screw 4x10	K158	4	4	4	4	4
12	Fixed panel top and bottom seal	K114	2	2	2	2	2
13	Slider fixed panel glass clip Right/ Left	K011 / K012	1	1	1	1	1
14	Upright seal with 15mm soft fin H1810mm	K122	1	1	1	1	1
15	Upright seal with 9mm soft fin H1872mm	K118	1	1	1	1	1
16	Bottom double roller	K049	2	2	2	2	2
17	Moving panel sleeve B	K004	1	1	1	1	1
18	Single handle with inside knob	Z001	1	1	1	1	1
19	Sliding door closing seal Q	K116	1	1	1	1	1
20	Moving Panel - various sizes	N/A	1	1	1	1	1
21	Slider wall profile Q	K073	2	2	2	2	2
22	Wall profile cover cap	K010	2	2	2	2	2
23	Moving panel sleeve A	K003	1	1	1	1	1
24	Nylon adjusting block Left	K008	2	2	2	2	2
25	Roller stop Left	K005	2	2	2	2	2
26	Top double roller	K048	2	2	2	2	2
27	Slider fixed panel glass clip Right/ Left	K011 / K012	1	1	1	1	1
28	Fixed panel installation tool	K107	4	4	4	4	4
29	Screw fixing jig	K023	1	1	1	1	1
30	3mm Hex key	MG3MMALKEY	1	1	1	1	1

FIXING KIT COMPONENTS

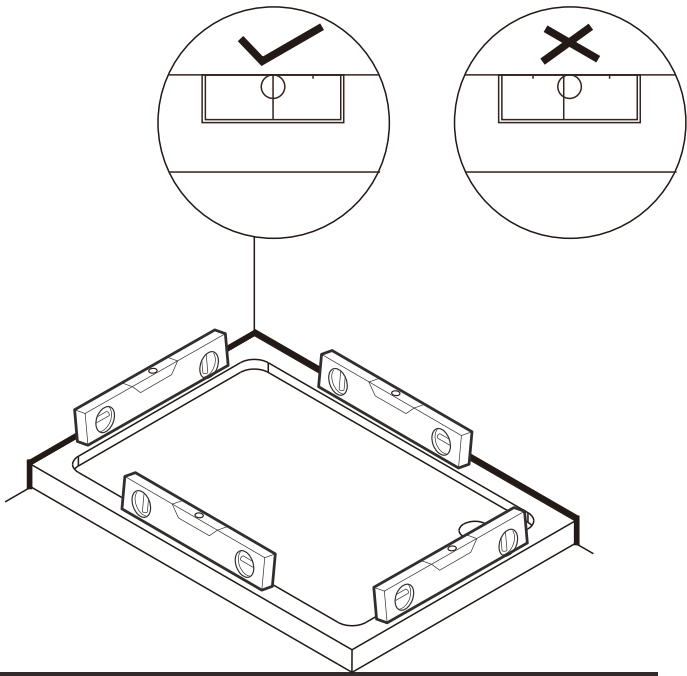
3 	3 	1 
2 	2 	1 

TOOLS REQUIRED

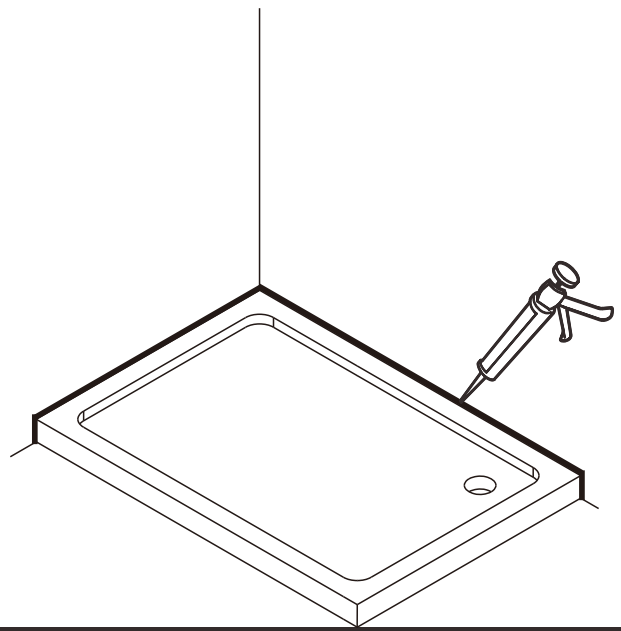


SLIDER DOOR CODE	DOOR SIZE IN MM	OVERALL ADJUSTMENT WITH SIDE PANEL IN MM
Z310	1000	960-1000
Z311	1100	1060-1100
Z312	1200	1160-1200
Z314	1400	1360-1400
Z317	1700	1660-1700

STAGE 1



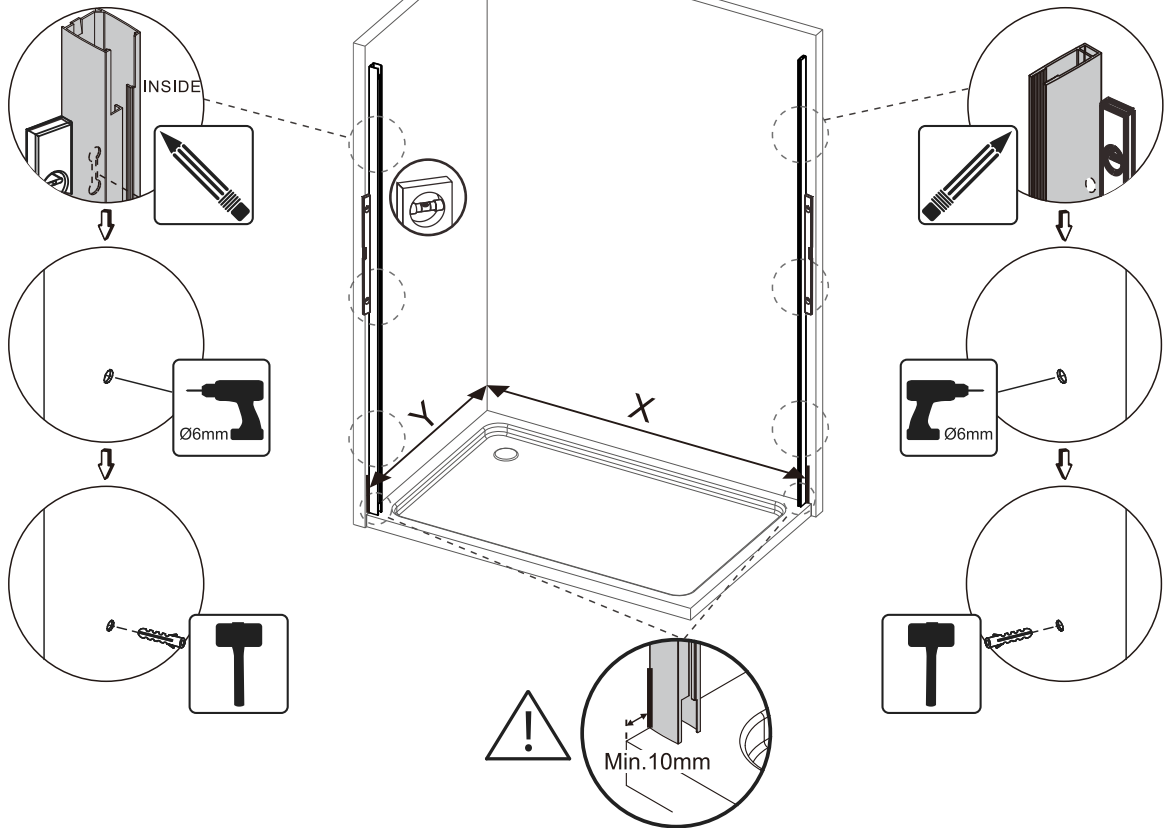
STAGE 2



STAGE 3

size	x
1000	960-1000
1100	1060-1100
1200	1160-1200
1400	1360-1400
1700	1660-1700

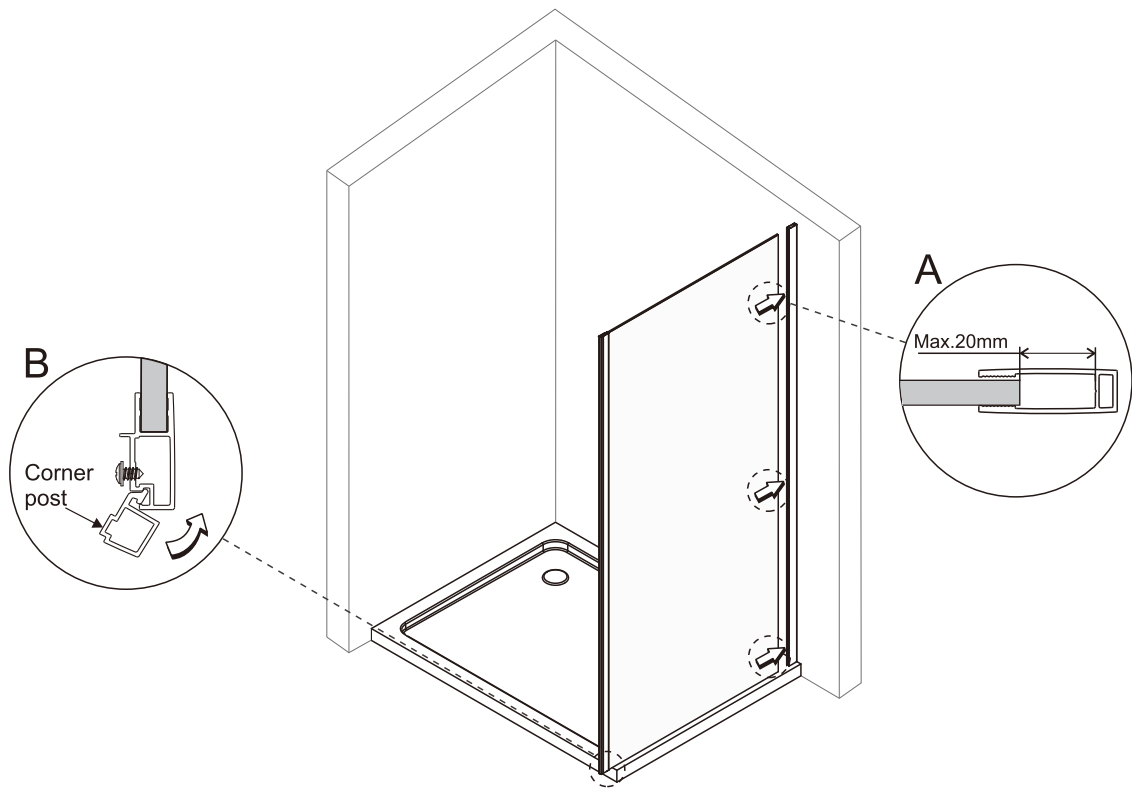
size	Y
760	730-750
800	770-790
900	870-890



STAGE 4

A. Slide the panel into the wall profile. Max adjustment is 20mm.

B. Make sure the screws on the edge of the frame are facing to the inside. Then fit the corner post by sliding it in at an angle and rotate into position.



STAGE 5

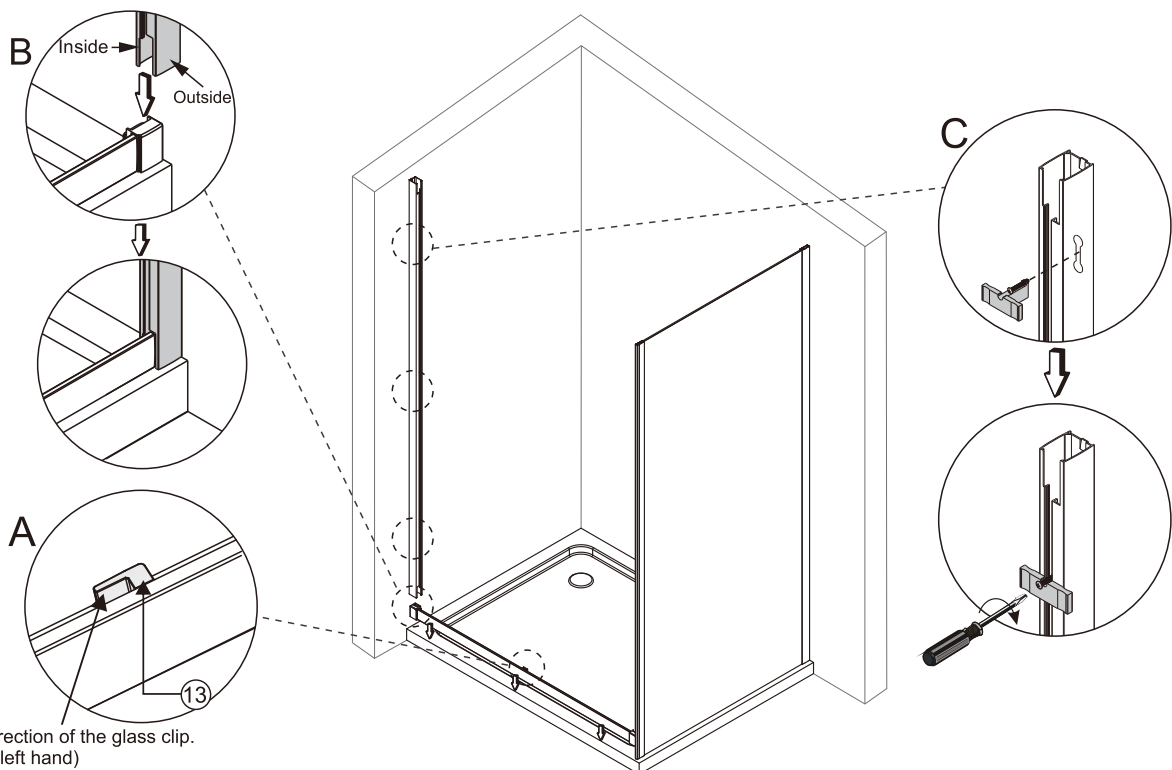
Build the product on the tray starting with the bottom profile.

NOTE: Product shown in left hand configuration from this point.

A. Note the direction of the glass clip.

B. Slide the wall profile fully over the nylon bracket.

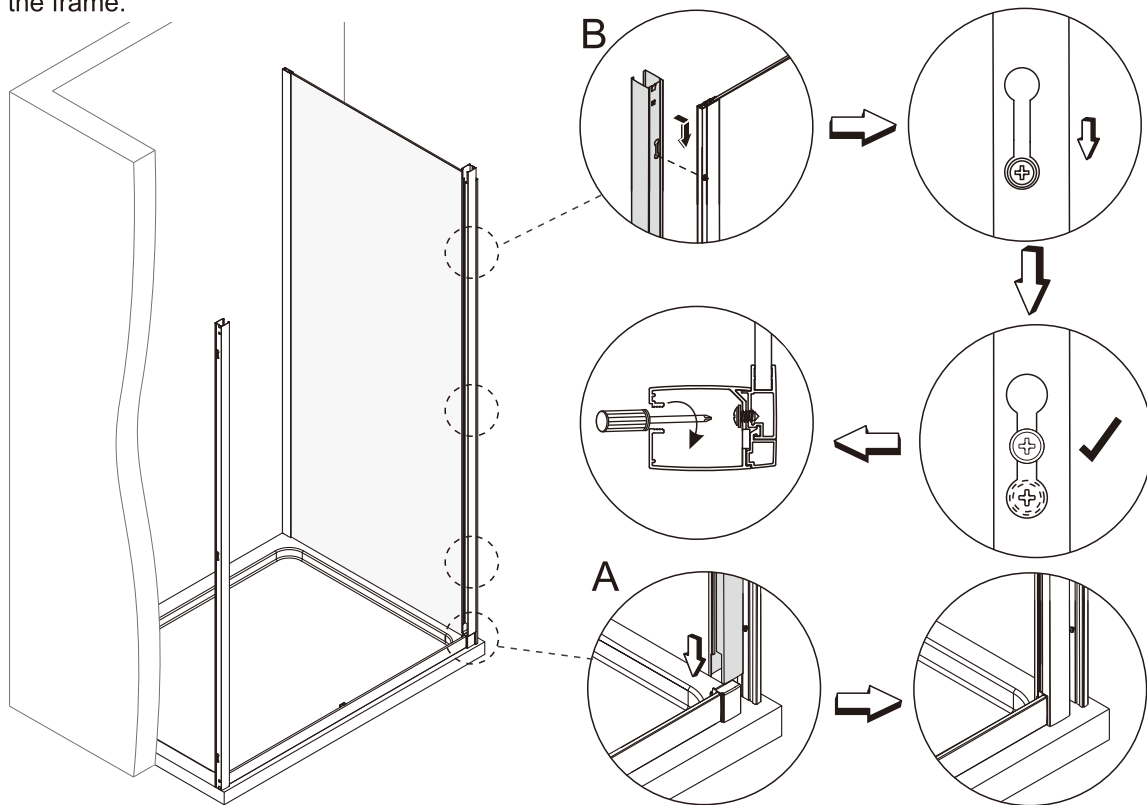
C. Load the 4 x 30 screw onto the tool provided and fix the wall profile top, middle and bottom.



Note the direction of the glass clip.
(Shown as left hand)

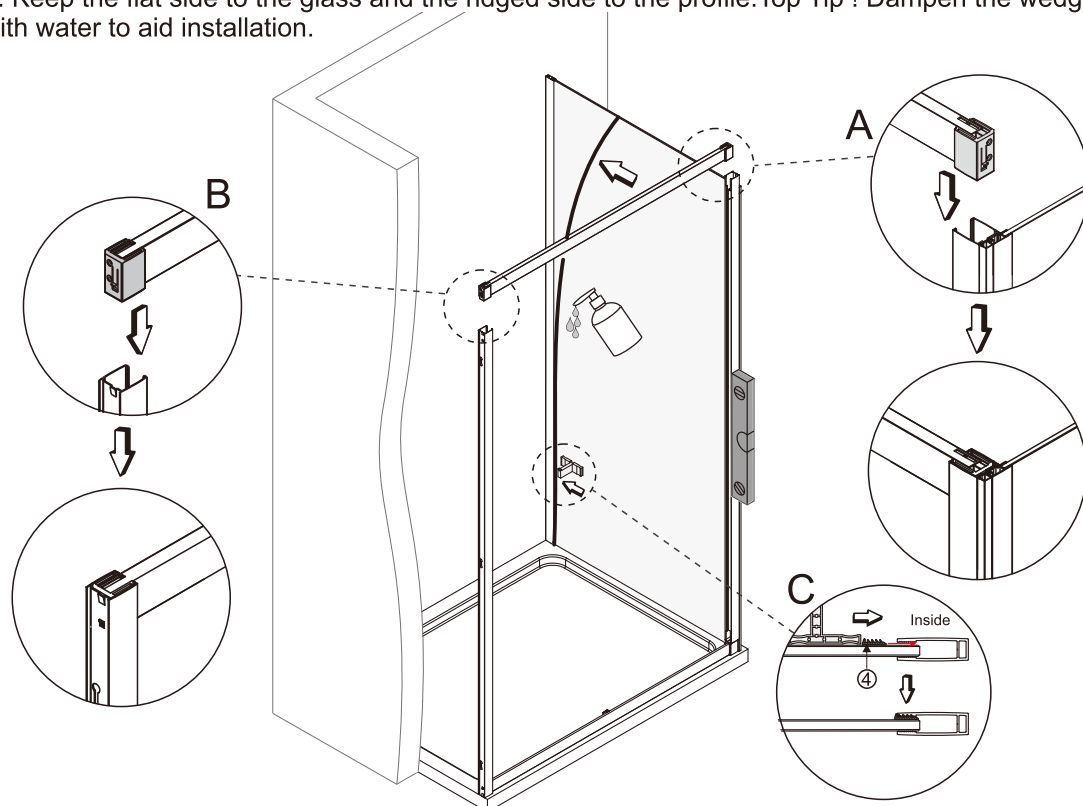
STAGE 6

- A. Slide the end of the profile fully over the nylon bracket.
 - B. Lift the door frame until the bottom holes are aligned with the screws in the side panel.
- Bring the frames together then lower the door frame and tighten the 3 screws through the slot in the side of the frame.

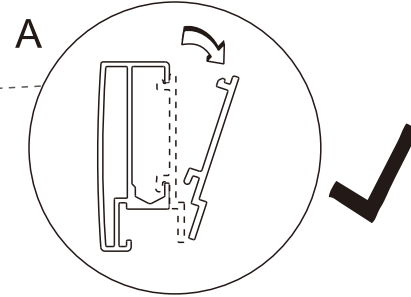
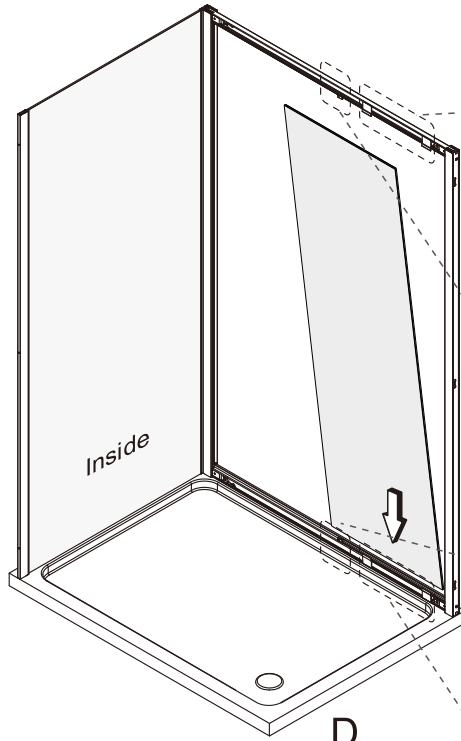


STAGE 7

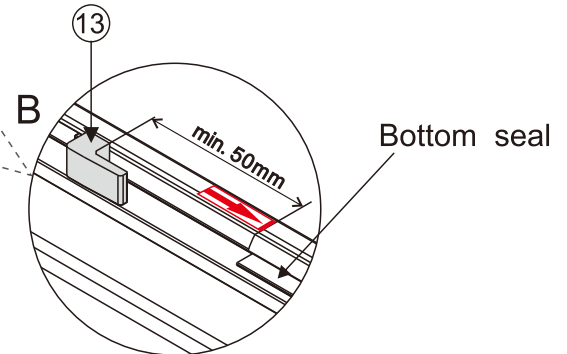
- A. Slide the top frame fully into the ends of the wall profiles.
- B. Check the frame is locked in place and does not slide back out of the frame.
- C. Starting at the bottom use the tool provided to insert the wedge gasket between the glass and the profile. Keep the flat side to the glass and the ridged side to the profile. Top Tip ! Dampen the wedge seal with water to aid installation.



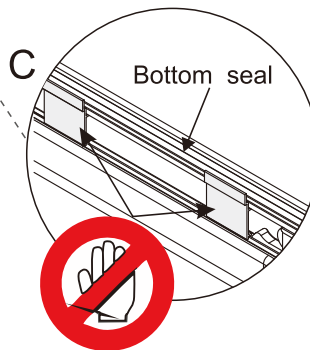
STAGE 8



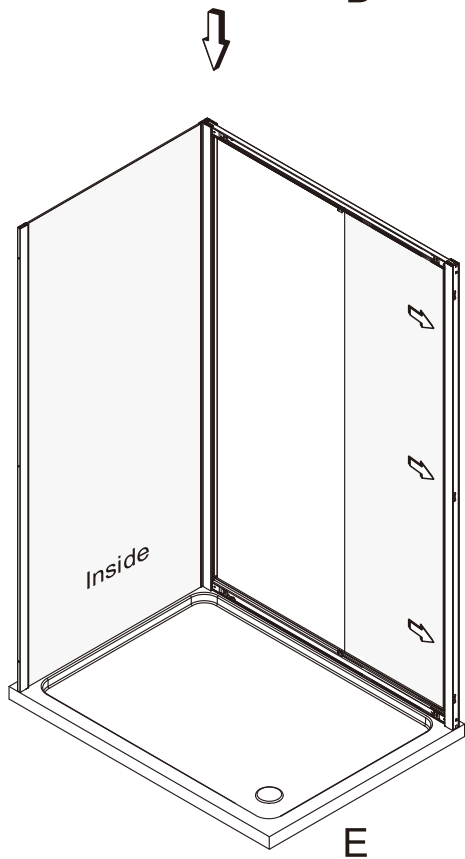
Remove the PVC installation tool by releasing the side closest to the top first the lift out from the frame.



Slide the clip [13] away from the seal on the top and bottom of the frame.



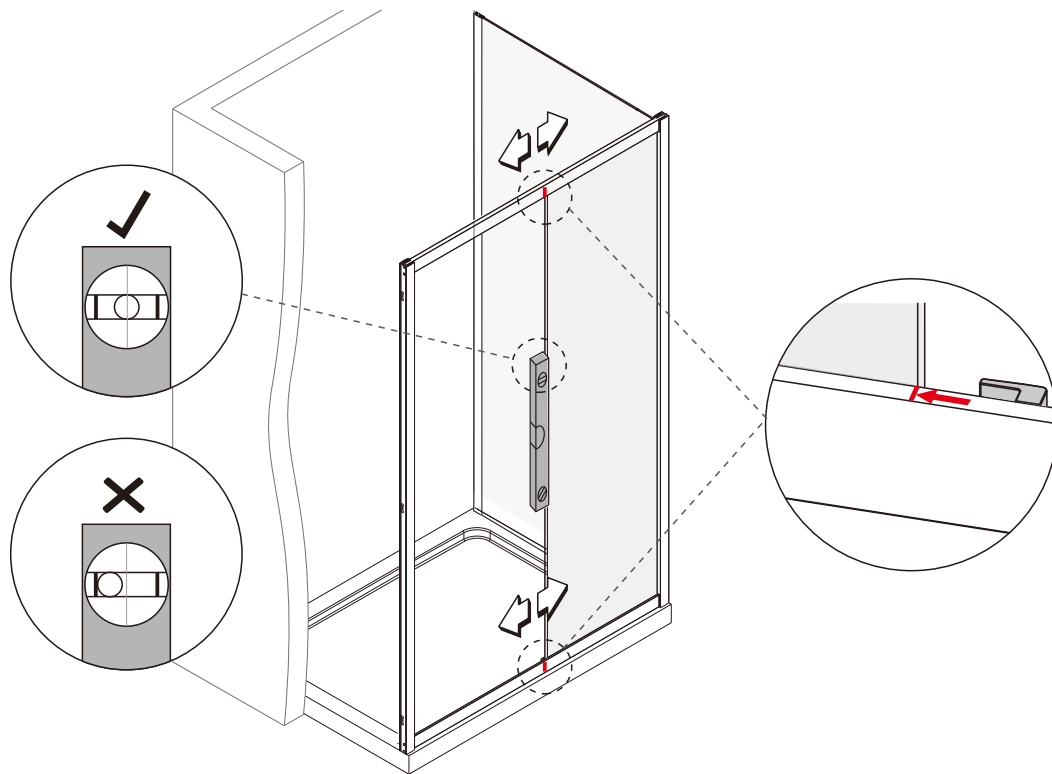
Leave the bottom PVC installation tool in place to aid the fitting of the fixed glass panel. Note: make sure the installation tools are positioned at the bottom seal



- D. Standing inside the enclosure, place the bottom of the fixed panel on the frame at a slight angle. Then lean the panel forward into the top frame.
- E. Slide the glass panel into the wall profile.

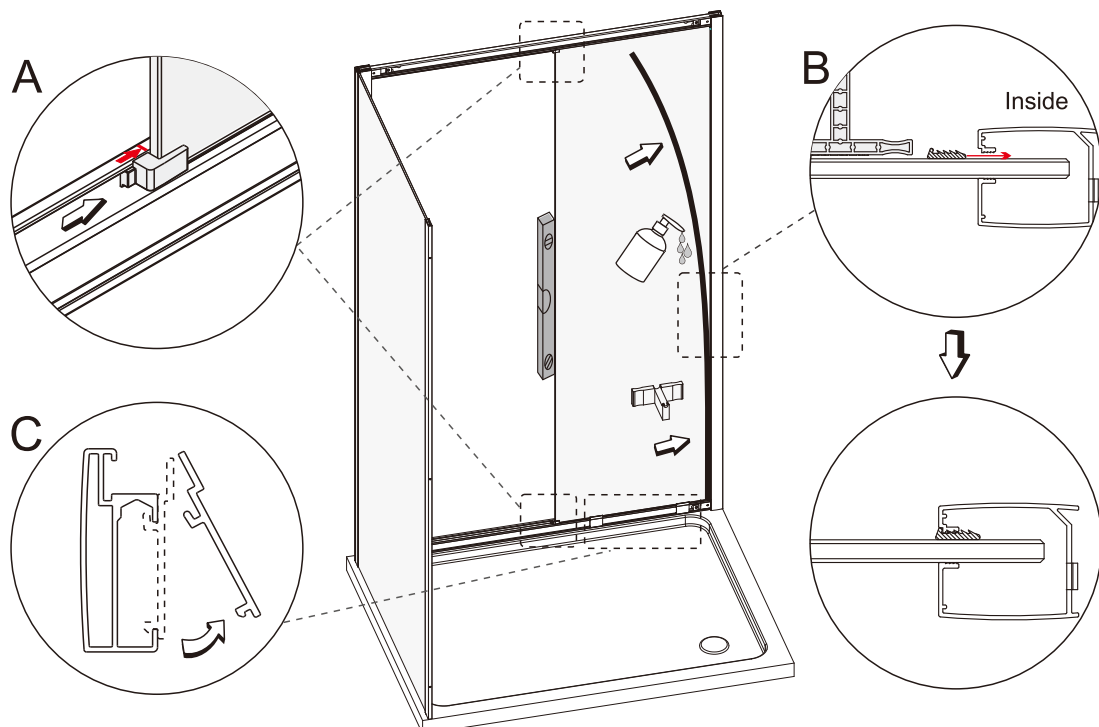
STAGE 9

Adjust the top and bottom profile to align glass edge with the red line on the labels while ensuring the glass is plumb.



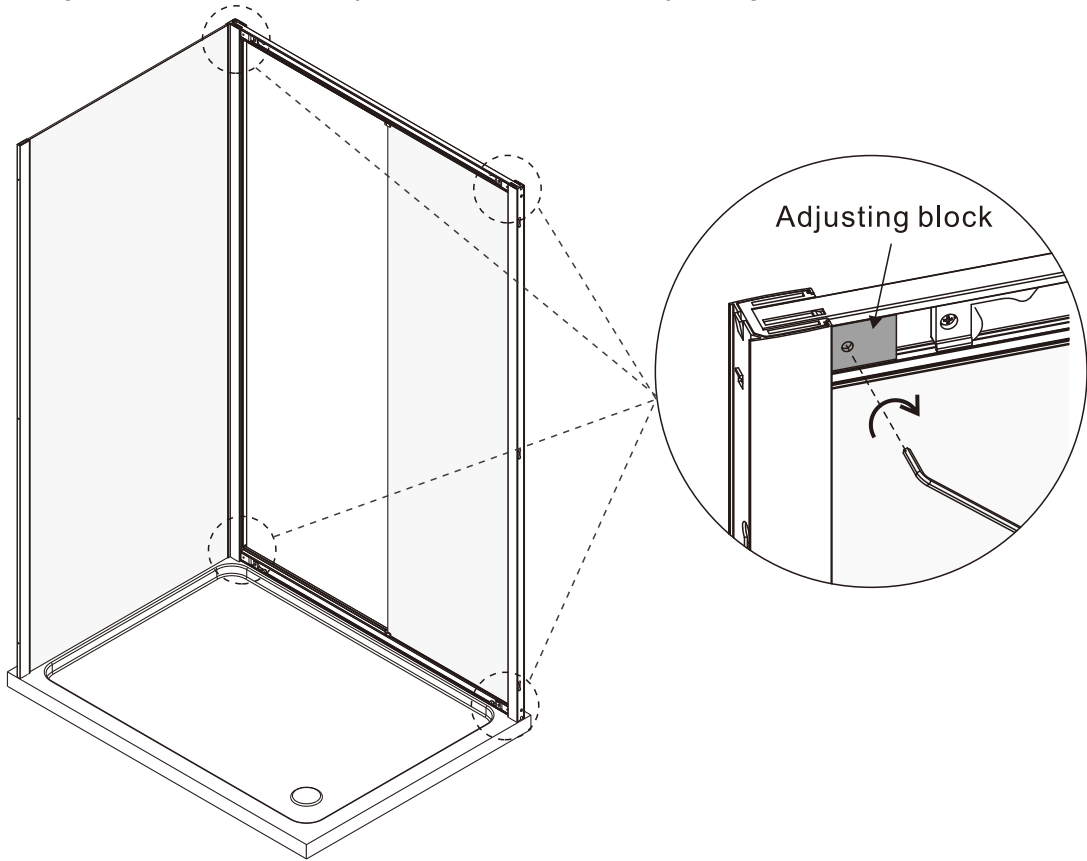
STAGE 10

- A. Slide the clip over the fixed panel on both the top and bottom.
- B. Starting at the bottom use the tool provided to insert the wedge gasket between the glass and the profile. Keep the flat side to the glass and the ridged side to the profile. Top Tip ! Dampen the seal with water to help slide into place.
- C. Remove the bottom PVC installation tool by releasing the side closest to the bottom first, then lift out from the frame.



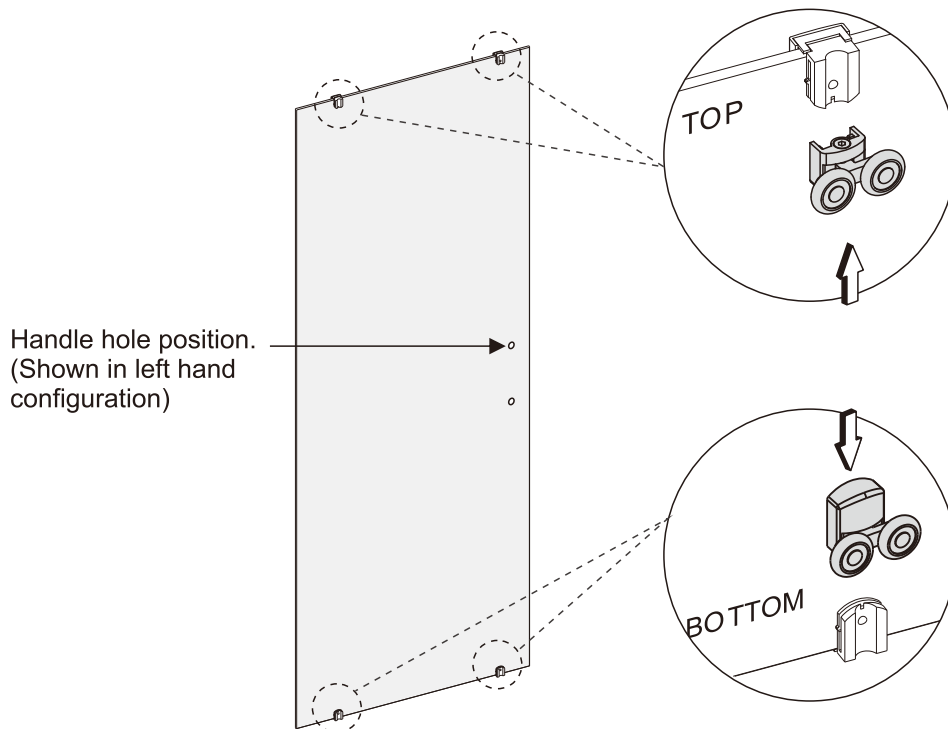
STAGE 11

Tighten the grub screws until they are flush with the 'adjusting block'.

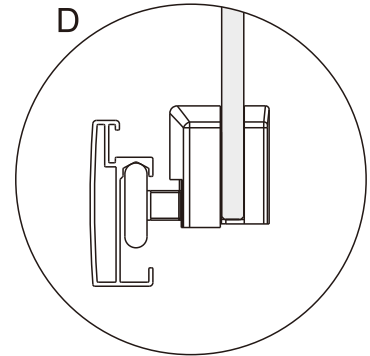
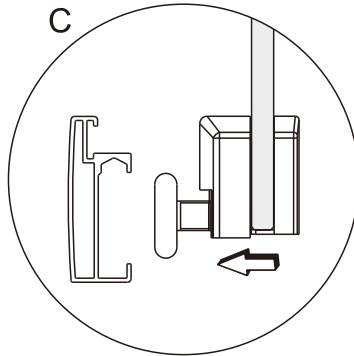
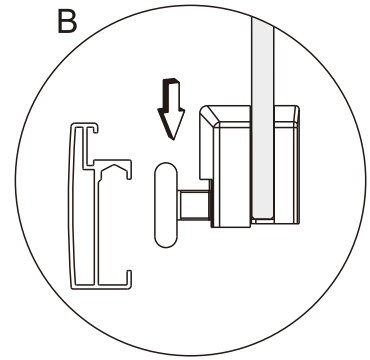
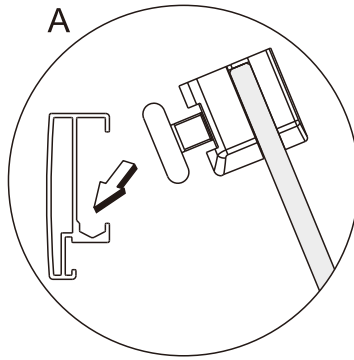
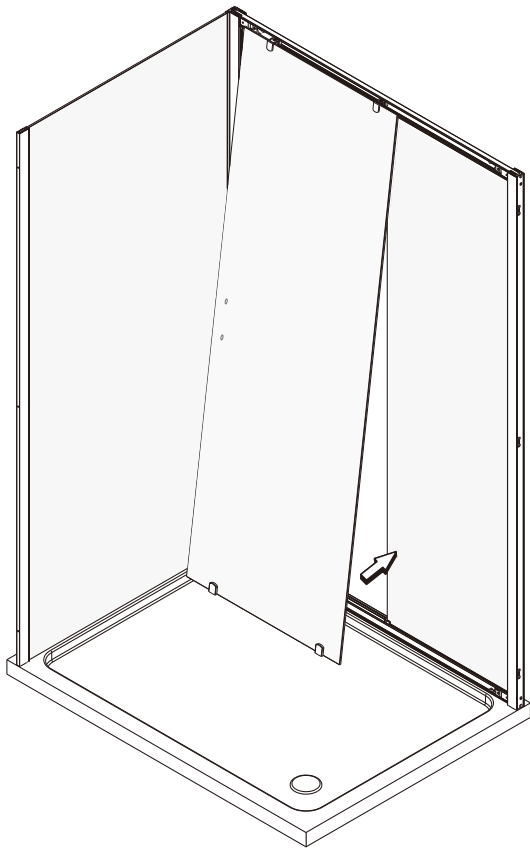


STAGE 12

Orientate the door to match the product handing, shown here as left hand.
Note the position of the hole for the handle.
Slide the rollers labeled 'TOP' onto the top and the 'BOTTOM' onto the bottom housings.

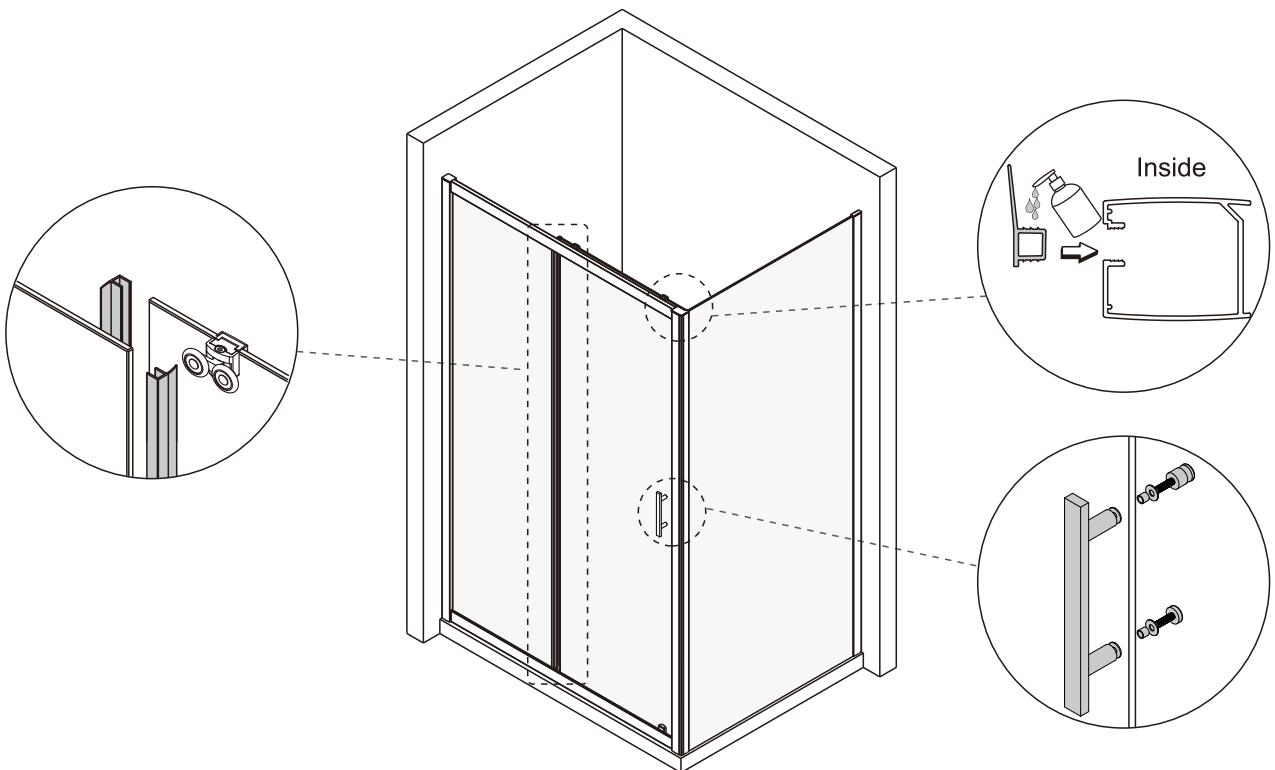


STAGE 13



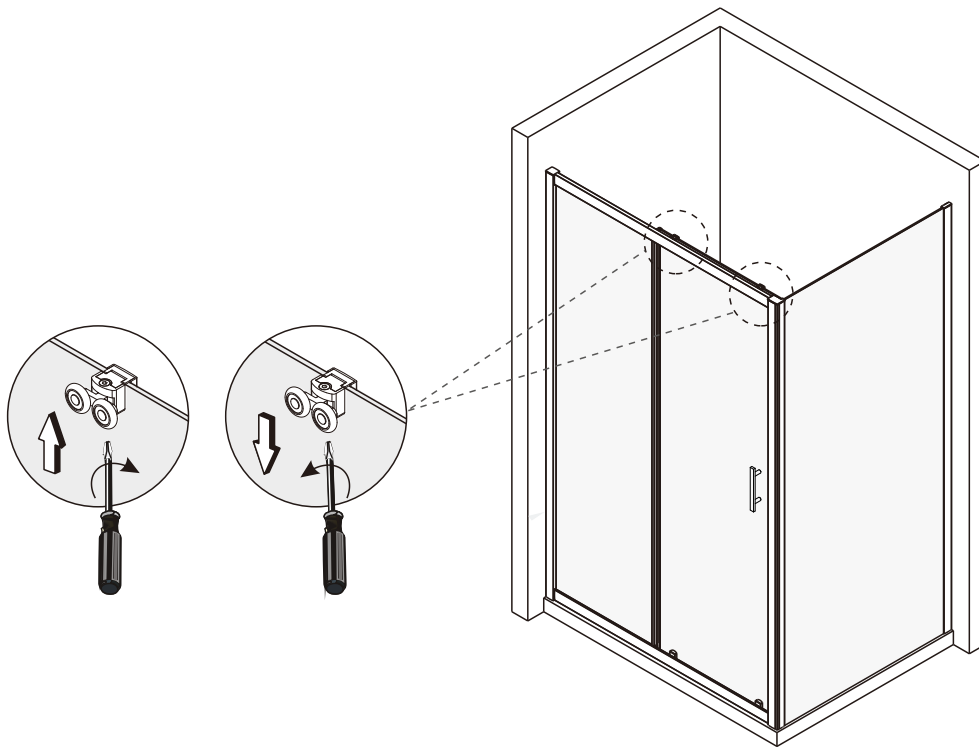
STAGE 14

Top Tip ! To help fit the seals, first dampen with water . This is particularly useful for the closing seal.



STAGE15

Adjust the rollers to ensure the moving panel is plumb and the overlap of both panels is parallel.



STAGE16

Before sealing make sure all surfaces are clean, dry and free from any residue such as grout.

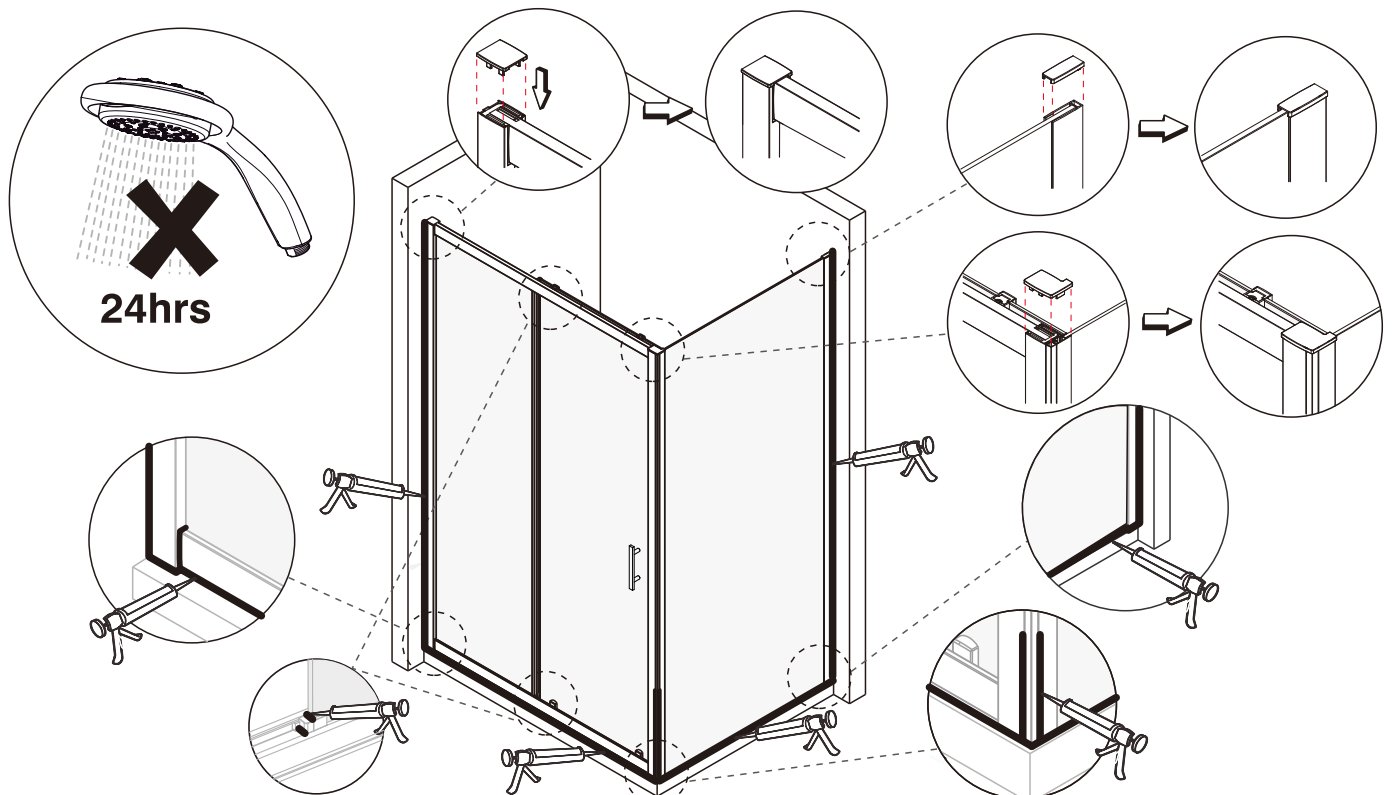
Use a quality silicone sealant and applicator gun to finish the door.

Seal between the wall and the wall profile.

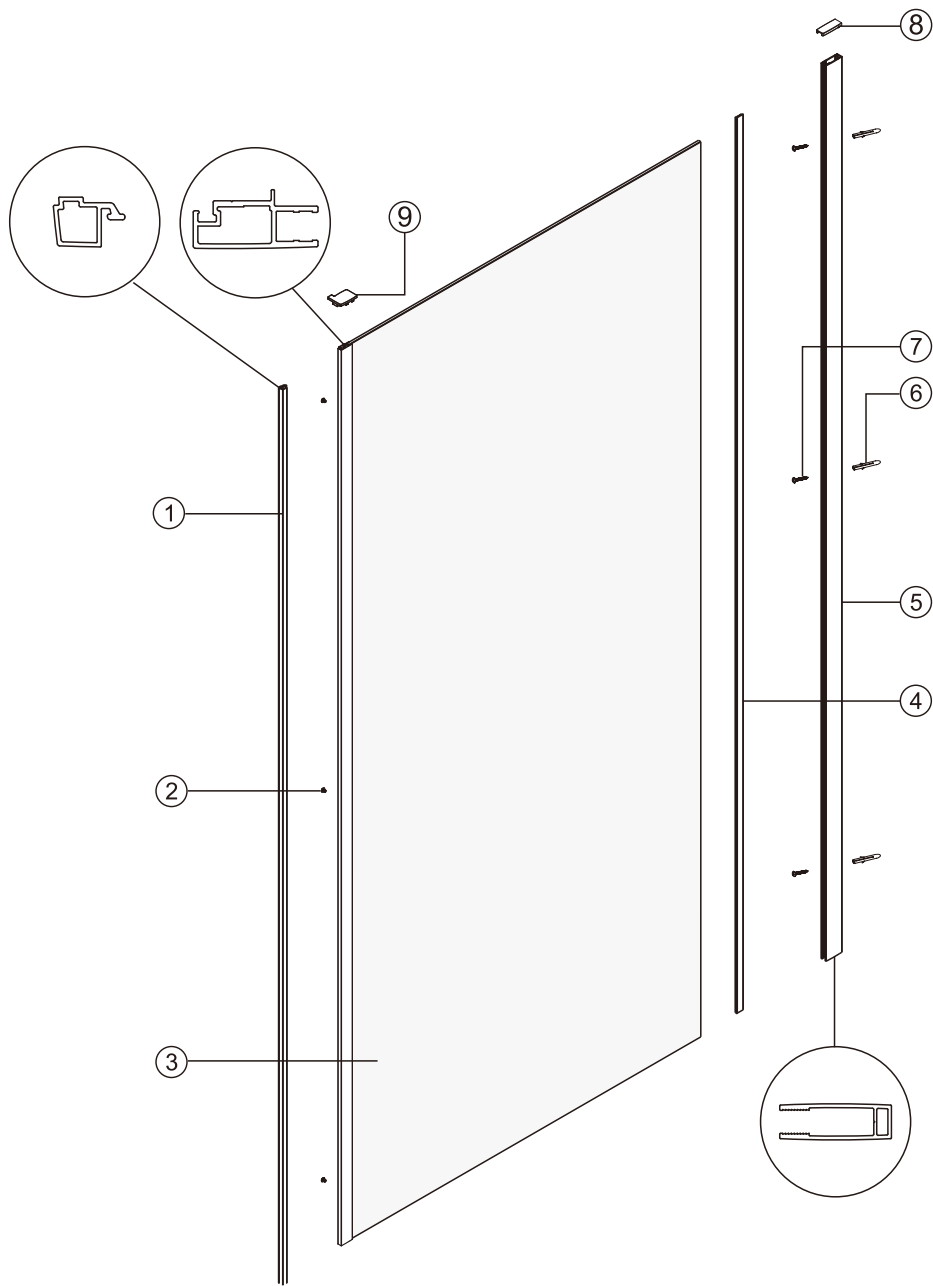
On the top and bottom frame seal between the fixed panel seal and the clip, and between the clip and frame.

Seal between the bottom profile and the tray/tile.

DO NOT USE THE ENCLOSURE FOR 24 HOURS



PARTS LIST



Item No.	Part List Description	Part Code	Side Panel Size Variations		
			760	800	900
1	Corner post for side panel Q	K079	1	1	1
2	Side panel corner post screw	K183	3	3	3
3	Side Panel - various sizes	N/A	1	1	1
4	Wedge gasket 2.5mm	K165	1	1	1
5	Side panel wall profile	K077	1	1	1
6	Wall plug	2SP12	3	3	3
7	4 x 30 frame fixing round screw	2SY51	6	6	6
8	Side panel wall profile cover cap	K015	1	1	1
9	Side panel Slider cover cap Right / Left	K013 / K014	1	1	1