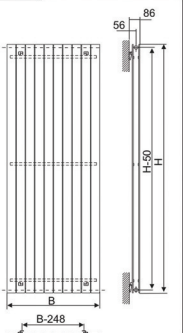
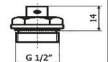




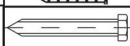

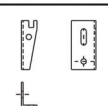
Assembly Instructions

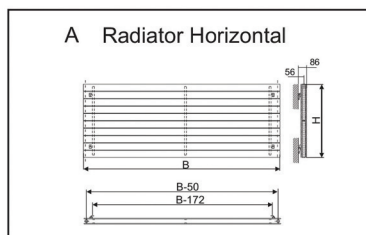
Panel radiator Duplex (SHWD)

Parts Supplied

Ref	Description	Illustration	Qty
A	Radiator Vertical		1
B	Air vent		1
C	Blanking plug		1

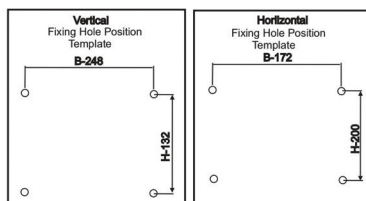
Fittings Supplied

Ref	Description	Illustration	Qty
D	Masonry plug		4
E	Screw		4
F	Bolster		4
G	Bracket for vertical use		4



Tools Required (not supplied)

Drilling Machine Drill 10 mm masonry 22 mm Spanner Hammer Flat Nosed Pliers



Before you start :

- Please read instructions carefully before installation.
- Check the pack and make sure you have all parts listed above. If not, contact your supplier who will be able to help you.
- Before drilling, first check that there are **no** hidden water pipes or electrical cables.
- This radiator is designed for use in closed heating systems only with a maximum pressure of 3 bars (most common domestic heating systems do not exceed 3 bars)
- When you are ready to start, make sure you have the right tool to hand, plenty of space and clean dry area for assembly.
- Make sure that you use the right type of wall fixing;-masonry wall plugs supplied -.

Installation

A: Vertical use

1. Using the dimensions given in the fixing hole template if using the plugs supplied drill 4 holes to a depth of approximately 60 mm and a diameter of 10 mm. **NOTE:** The distance from the floor to the bottom of the radiator must be at least 200 mm for efficient heating and ventilation. The horizontal distance between the two ½" pipe connections is B mm.

B: Horizontal use

1. Using the dimensions given in the fixing hole template if using the plugs supplied drill 4 holes to a depth of approximately 60 mm and a diameter of 10 mm. **NOTE:** The distance from the floor to the bottom of the radiator must be at least 200 mm for efficient heating and ventilation. The vertical distance between the two ½" pipe connections is H mm.

2. Insert masonry wall plugs (D) provided into the drilled holes, solid walls only.

3. Fasten screw (E) with bolster (F) through bracket (G) to fix securely to the wall. **Take care not to over tighten.**

4. Hang the radiator on the brackets.

5. Fit the supplied air vent (B) and blanking plug (C) into the upper threaded openings of the radiator.

6. Connect the water flow and the return pipe to the chosen side of the radiator and the isolation valves (not supplied). Ensure a water tight seal is obtained by using PTFE tape on the threads.

7. Open the valves of the radiator, fill and purge the remaining air from the radiator using the air vent (B). When full close the air vent.

Care & Use

- After fitting you **MUST** be absolutely certain that the system is **THOROUGHLY** flushed before it is commissioned in order to rinse out any metal, flux and foreign residues. The system must also be thoroughly vented.
- To help prevent internal corrosion and lime scale formation a suitable inhibitor **MUST** be added to the central heating system when it is refilled
- Wipe radiator clean with a soft damp cloth. Never use scourers, abrasives or chemical cleaners.

Troubleshooting