



# INSTRUCTION MANUAL

## 80LB (36kgs) SALT SPREADER

Model No: THSS80 -- Product No: 1938116002

ASSEMBLY REQUIRED

SAVE THESE INSTRUCTIONS

SPARES & SUPPORT: 01793 333212

Please read & understand this manual, paying attention to the safety instructions, before use.  
The manufacturer reserves the right to change the product specification and livery according to  
continued product improvements.

Images used are for illustration purposes only

02/02/2017



# CONTENTS

**SPECIFICATION**  
**IMPORTANT INFORMATION**  
**GENERAL SAFETY INSTRUCTIONS**  
**COMPONENTS**  
**ASSEMBLY**  
**MAINTENANCE**  
**OPERATION**  
**RATE SETTINGS**  
**PARTS DIAGRAM**  
**PARTS LIST**  
**WARRANTY**

## **ASSEMBLY IS REQUIRED**

This product requires assembly before use. See the "Assembly" section for instructions. Please check that all parts required for the assembly of this spreader are included. If for any reason you believe a part for the assembly is missing or damaged, please contact us.

**If you require any assistance with regards to the contents or operation of your machine, please contact us:**

**TEL: 01793 333212**  
**(MON – FRI 8.00AM TO 5.30PM EXCL. BANK HOLIDAYS)**

**EMAIL: [customerservice@handydistribution.co.uk](mailto:customerservice@handydistribution.co.uk)**

## **DO NOT USE WITH ROCK SALT.**

Using rock salt in this spreader will damage the mechanism and shorten the life of the product. Refined ice melting salt can be used, but the user should be aware that using salt may corrode certain components of the spreader and reduce the life of the machine.

Clean the spreader thoroughly after using refined de-icing salt.

## SPECIFICATION

The manufacturer reserves the right to change the product specification and livery according to continued product improvements.

Model	THSS80
Product Number	1938115002
Weight	10.4kg
Capacity (Weight)	36kg
Tyre Rating	2 Ply
Tyre Maximum PSI	25psi (Do not exceed)

## IMPORTANT INFORMATION

### INTENDED USE

The product is intended for spreading granular material for domestic gardens. This product is not intended for commercial use. Generally acknowledged accident prevention regulations and enclosed safety instructions must be observed.

Only perform work described in these instructions for use, any other use is incorrect. The manufacturer will not assume responsibility for damage resulting from such use.

### HELPFUL HINTS

If your spreader does not spread evenly, be sure the FRONT on the gear box points to the front of the spreader. The impeller must turn clockwise. Reversing the gearbox will cause the impeller to turn counter clockwise. Clean the impeller plate after each use. Material stuck on the impeller blades will cause uneven spreading.

Your spreader is designed to be pushed at three miles per hour, which is a brisk walking speed. Slower or faster speeds will change the spread patterns. Wet material will also change the spread pattern and flow rate. Clean your spreader thoroughly after each use. Wash between the shut off plate and the bottom of the hopper.

Gears are lubricated at the factory. Do not open the gear box or dirt may enter.

## GENERAL SAFETY INSTRUCTIONS

**Read and understand the owner's manual and labels affixed to the product. Learn its application and limitations as well as the specific potential hazards. Retain these instructions for future reference. The operator is responsible for following the warnings & instructions in this manual and on the product.**

### STAY ALERT

Do not operate the machine while under the influence of drugs, alcohol, or any medication

that could affect your ability to use it properly. Do not use this machine when you are tired or distracted from the job at hand. Be aware of what you are doing at all times. Use common sense.

### AVOID DANGEROUS CONDITIONS

Make sure there is adequate surrounding workspace. Cluttered areas invite injuries. Keep your work area clean with sufficient light. Keep the area around the machine clear of obstructions, grease, oil, rubbish & other debris which could cause persons to fall onto

moving parts.

### **INSPECT YOUR MACHINE**

Check all bolts, nuts & screws for tightness before each use, especially those securing guards & drive mechanisms. Vibration during use, may cause these to loosen. Replace damaged, missing or failed parts before using. Warning labels carry important information. Replace any missing or damaged warning labels.

### **CRUSH AND CUT HAZARDS**

Always keep your hands and feet clear from moving parts while operating the equipment. Always keep the work area clean and clear when operating.

### **CONDITIONS**

We recommend the machine is not used during winds. This may affect the spreading pattern.

### **DRESS PROPERLY**

Do not wear loose clothing, gloves, scarfs, neckties or jewellery (rings, wrist watches), which can be caught in moving parts.

### **DO NOT OVERREACH**

Keep proper footing and balance at all times when using the machine. Never stand on the machine. Serious injury could occur if the machine is tipped or if the moving parts are unintentionally contacted. Do not store anything above or near the machine, where anyone might stand on the machine to reach them.

### **AVOID INJURY FROM UNEXPECTED ACCIDENT**

Keep hands & feet out of the way of all moving parts. Do not place any part of your body or any tool e.g. in moving parts of the machine during operation.

### **DO NOT FORCE TOOL**

Always work within the rated capacity. Do not operate for a purpose for which it was not intended.

### **MAINTAIN YOUR MACHINE WITH CARE**

Clean the machine immediately after use. Keep the machine clean to ensure it operates to its full & safest performance. When maintaining this machine, only the manufacturer's original replacement parts should be used. The use of non-original manufacturer parts may invalidate your warranty.

### **PROTECT THE ENVIRONMENT**

Take left over materials to an authorised collection point or follow the stipulations in the country where the machine is used. Do not discharge into drains, soil or water.

### **STORE IDLE EQUIPMENT**

When not in use, the machine should be stored in a dry location. Keep the machine away from children and others not qualified to use it.

### **OPERATION SPEED**

Do not exceed 6mph, to avoid personal injury and/or equipment damage.

### **TYRE INFLATION**

Before operating, make sure the tyres have the recommended pressure of 25 PSI (**Do not exceed 25 PSI**). We recommend the use of **FOOT or HAND** inflation devices only.

This is a garden/domestic product, therefore extended use over abrasive surfaces (e.g. concrete, tarmac etc.) could cause premature wear on the tyres.

### **SAFETY SYMBOLS**



Safety alert symbol. Used to alert you to potential personal injury hazards. Obey all safety messages that follow this symbol to avoid possible injury.



#### **DANGER**

Indicates an imminently hazardous situation which, if not avoided, will result in serious injury.



#### **WARNING**

Indicates a potentially hazardous situation which, if not avoided, could result in serious injury



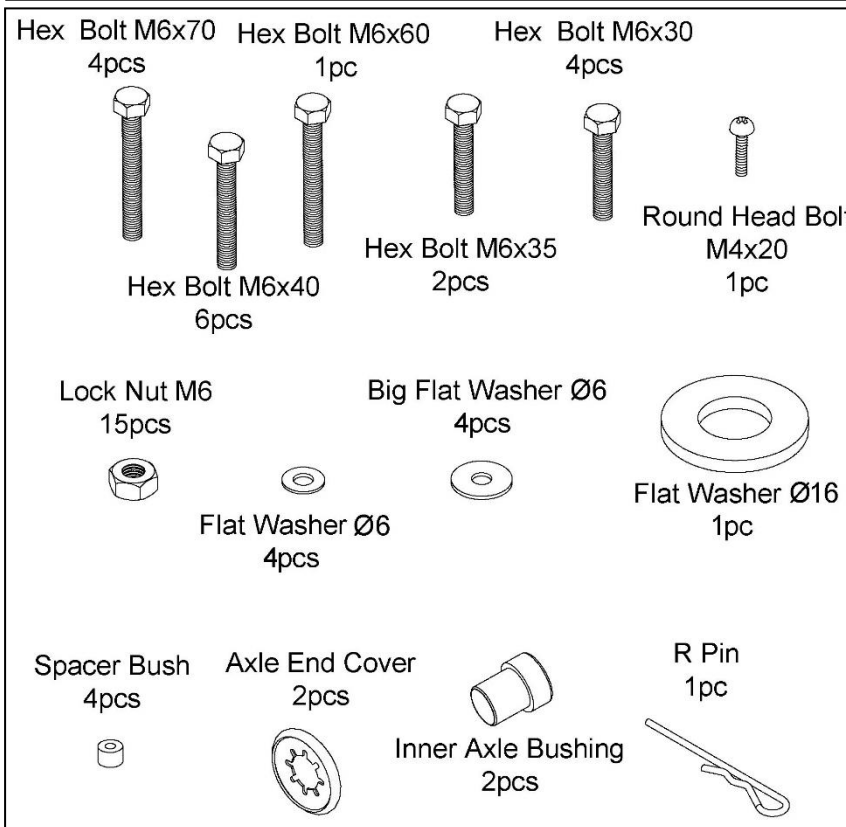
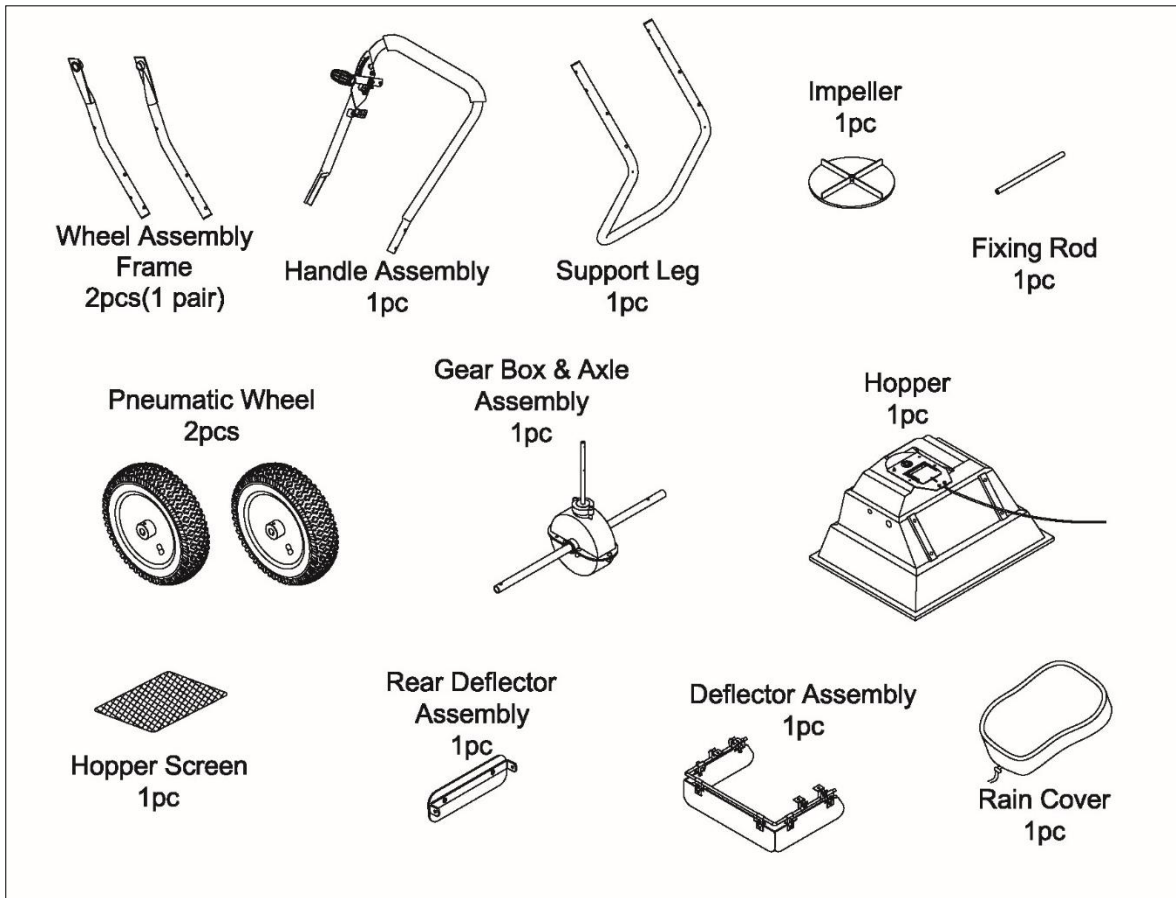
#### **CAUTION**

Indicates a potentially hazardous situation which, if not avoided, may result in minor or moderate injury.

#### **CAUTION**

Used without the safety alert symbol indicates a potentially hazardous situation which, if not avoided, may result in property damage.

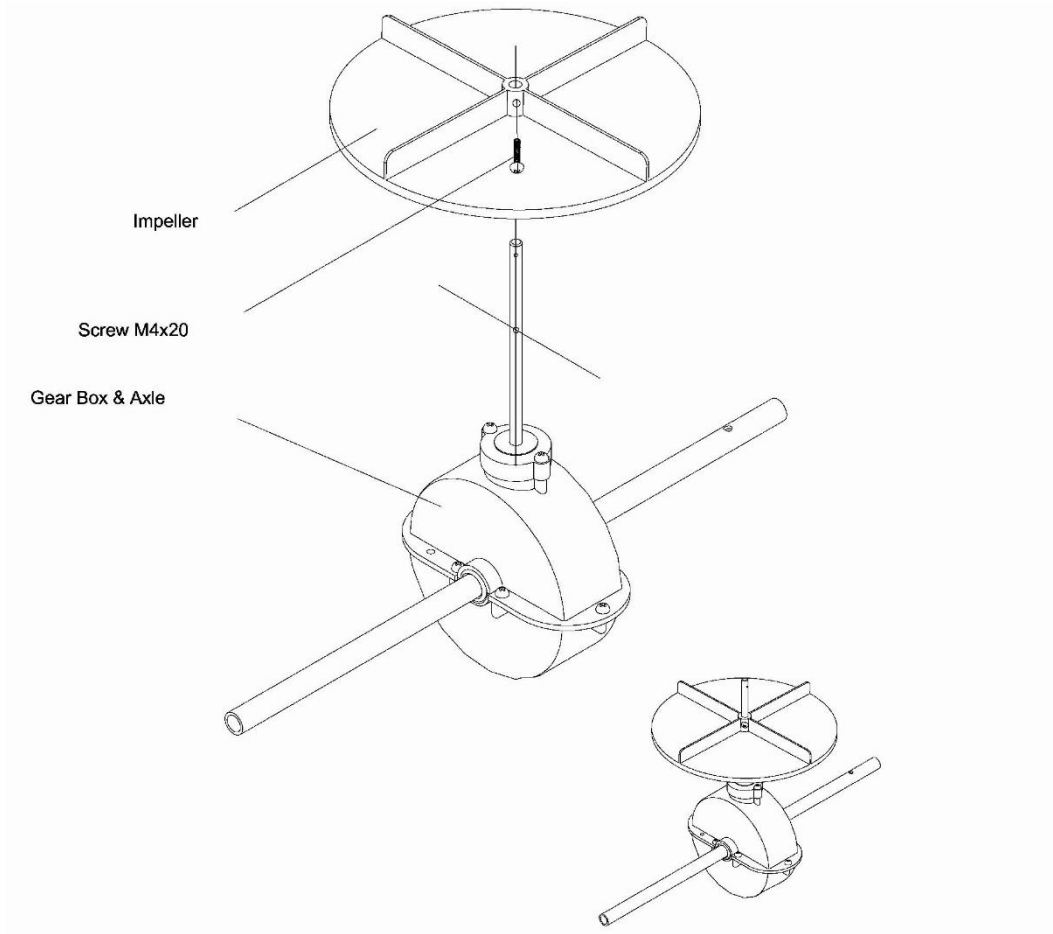
# COMPONENTS



# ASSEMBLY

## STEP 1

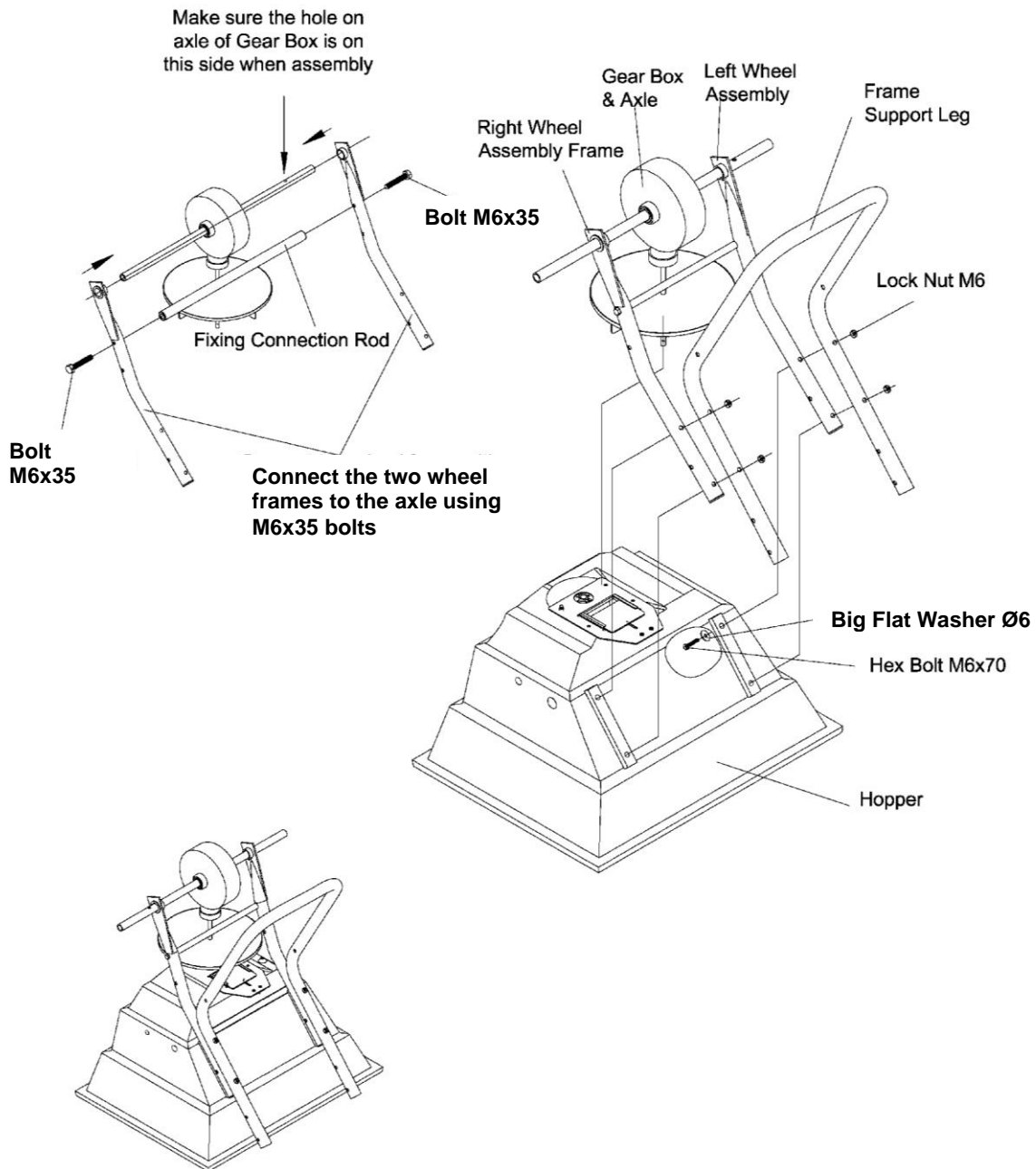
- Install the impeller onto the gearbox and axle assembly.
- Align the impeller with the hole on the axle, located nearest the gearbox.
- Insert M4x20 screw, through the side of the impeller and the gearbox axle. Tighten until secure.



## STEP 2

- Attach the Wheel Assembly Frame to each side of the Gearbox Assembly and Fixing Connecting Rod, insert two bolts M6x35 into the fixing connecting rod through the Wheel Assembly Frame.
- Make sure the hole in the Gearbox Axle is on the RIGHT SIDE, when assembling, as shown.
- Attach the Wheel Assembly Frames & Support Leg onto the Hopper using bolts M6x70, M6 Lock Nuts and Large Flat Washers Ø6.

**NOTE: WE ADVISE YOU DO NOT TIGHTEN THE NUTS & BOLTS COMPLETELY AT THIS POINT.**

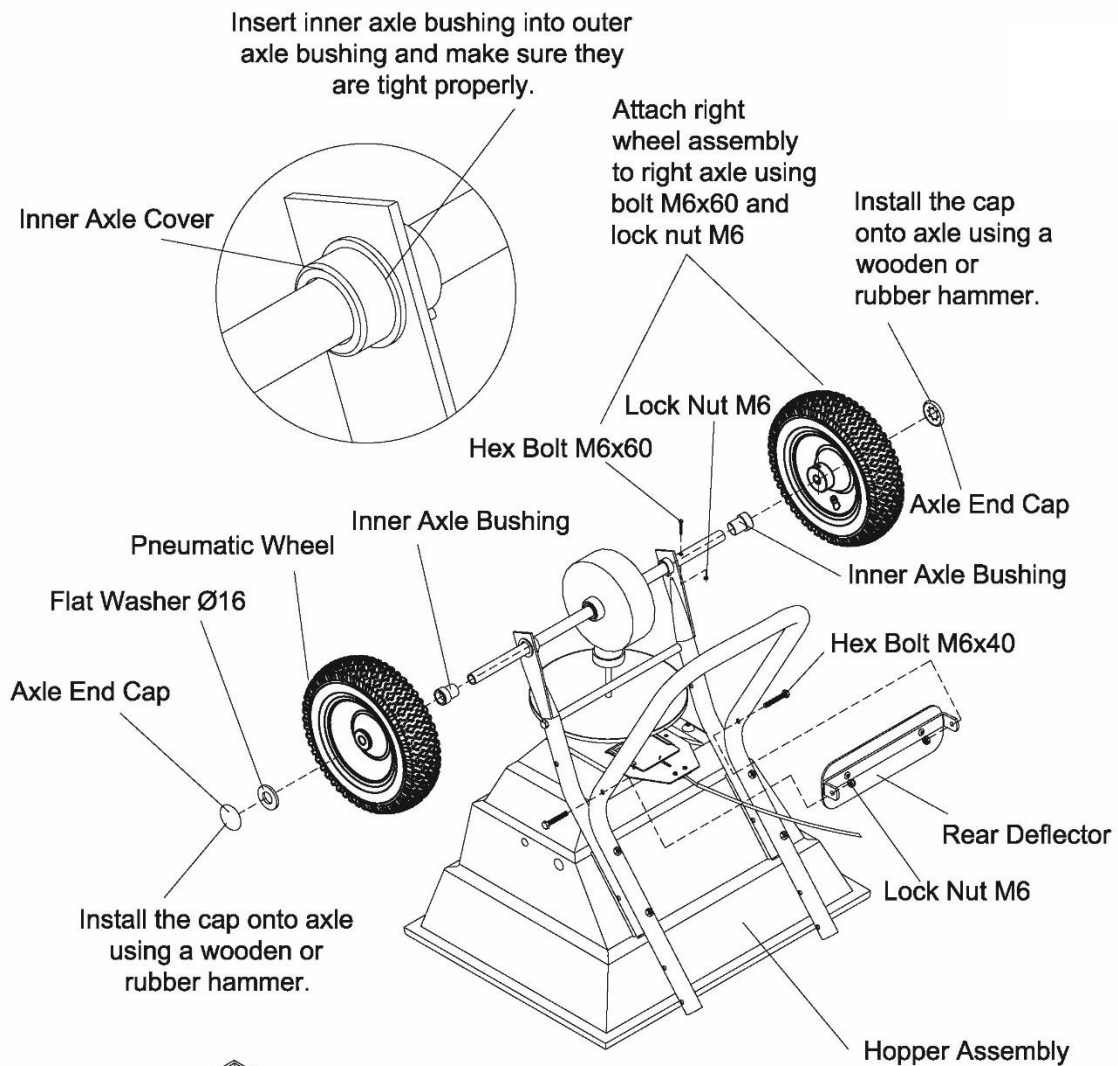




### STEP 3

- Insert the Inner Axle Bushing into the Outer Axle Bushing and make sure they are tight. Install the right Wheel Assembly onto the right Axle using bolt M6x60 and lock nut M6, and then install the Cap onto the right Axle using a wooden or rubber hammer.
- Now install the left Wheel Assembly onto the left Axle, attach a flat washer  $\varnothing 16$  and install the Cap onto the left Axle using a wooden or rubber hammer. (Only one wheel is attached to the axle, to allow the Impellor to rotate and make turning the spreader easier).
- Then attach the back deflector to the support leg, fasten the Rear Deflector with Hex Bolt M6x40 and Lock Nut M6.

**Note: The Bolts and Nuts should not be fully tightened yet.**



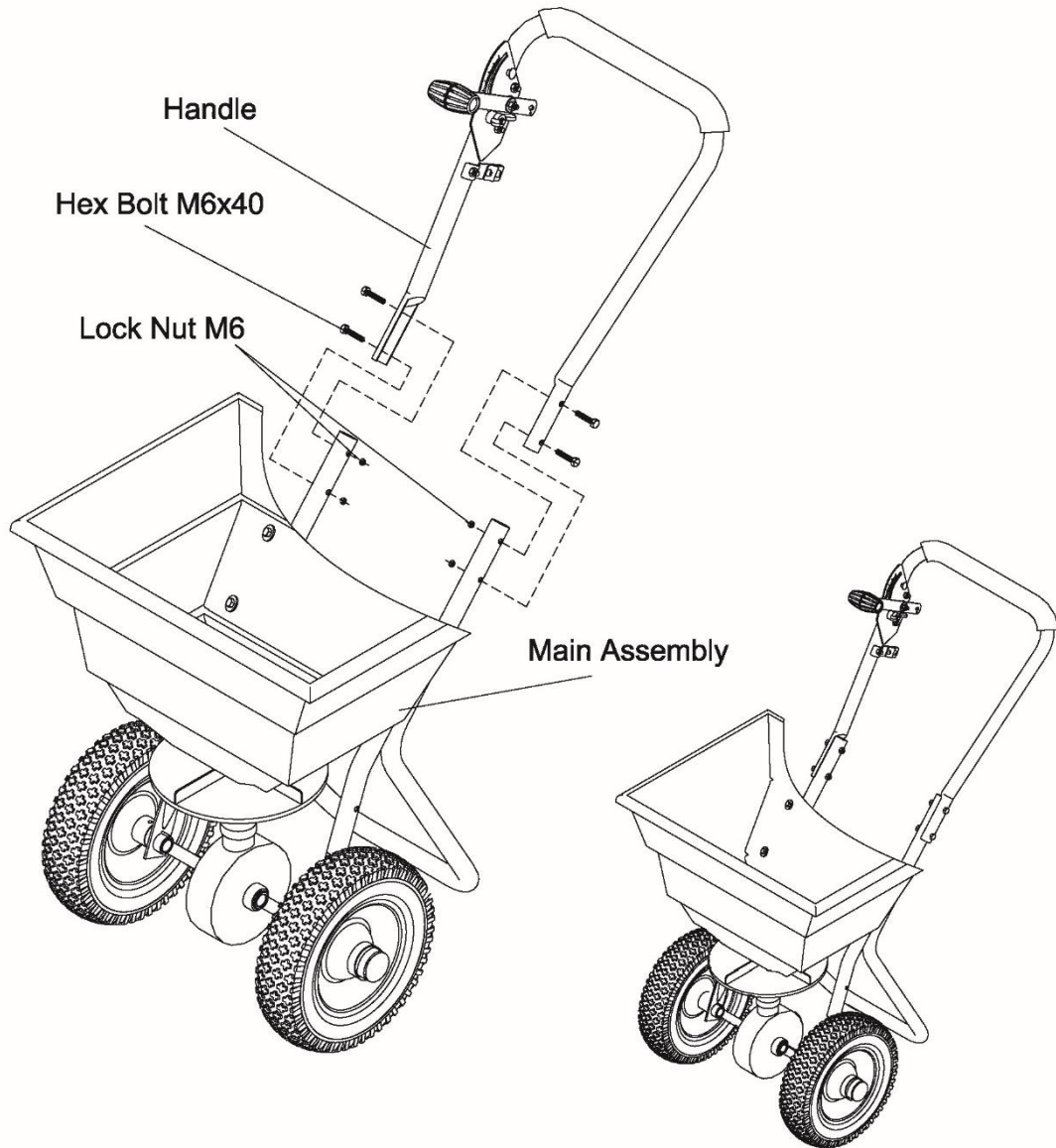
Ensure the outer & inner bushes are located correctly.



**STEP 4**

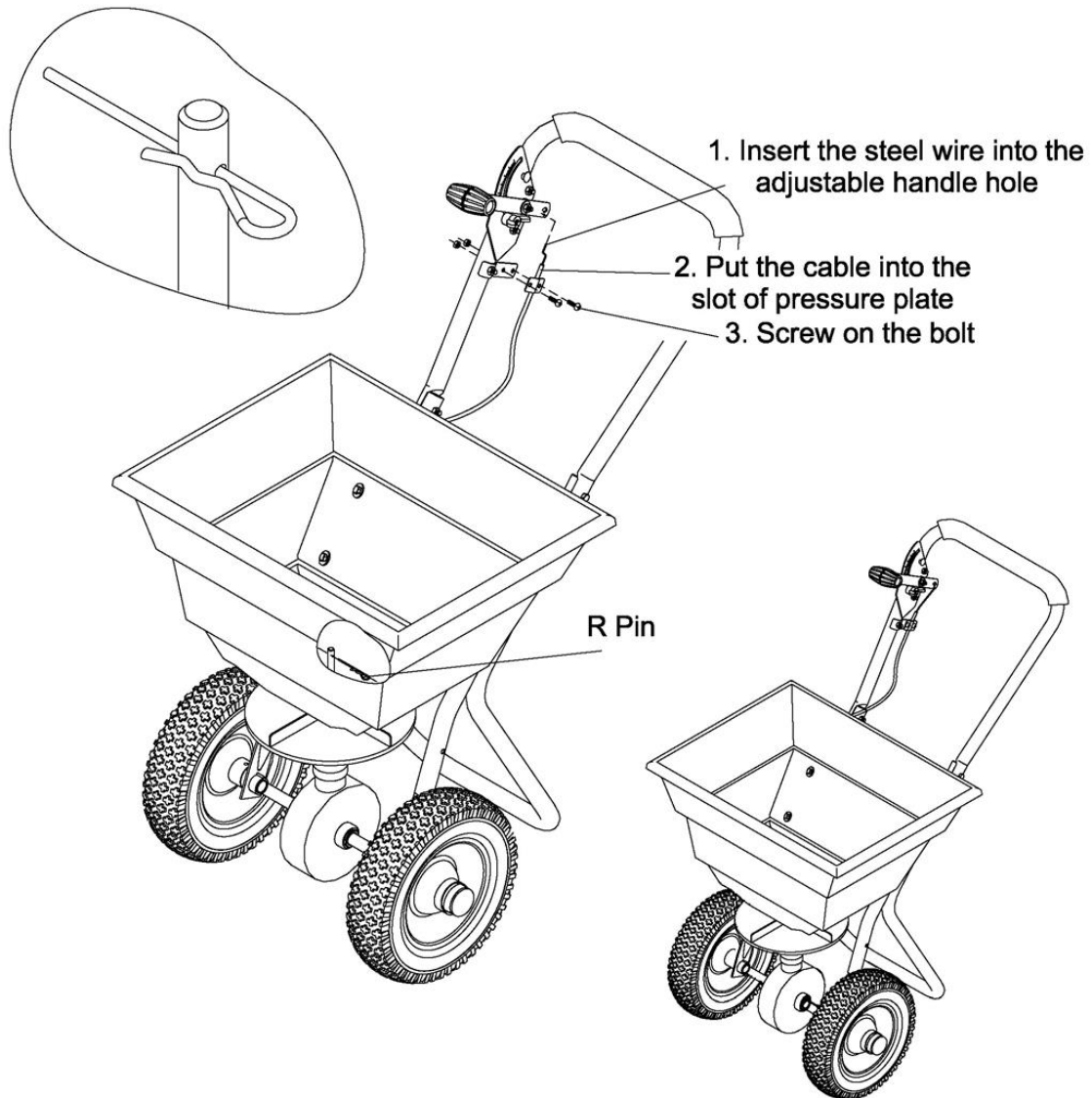
- Attach the Upper Handle to the top of the Support Leg using four Hex bolts M6x40 and Lock Nuts M6.

**NOW GO BACK AND TIGHTEN ALL THE NUTS AND BOLTS STARTING WITH THE FIRST STEP. DO NOT OVER TIGHTEN.**



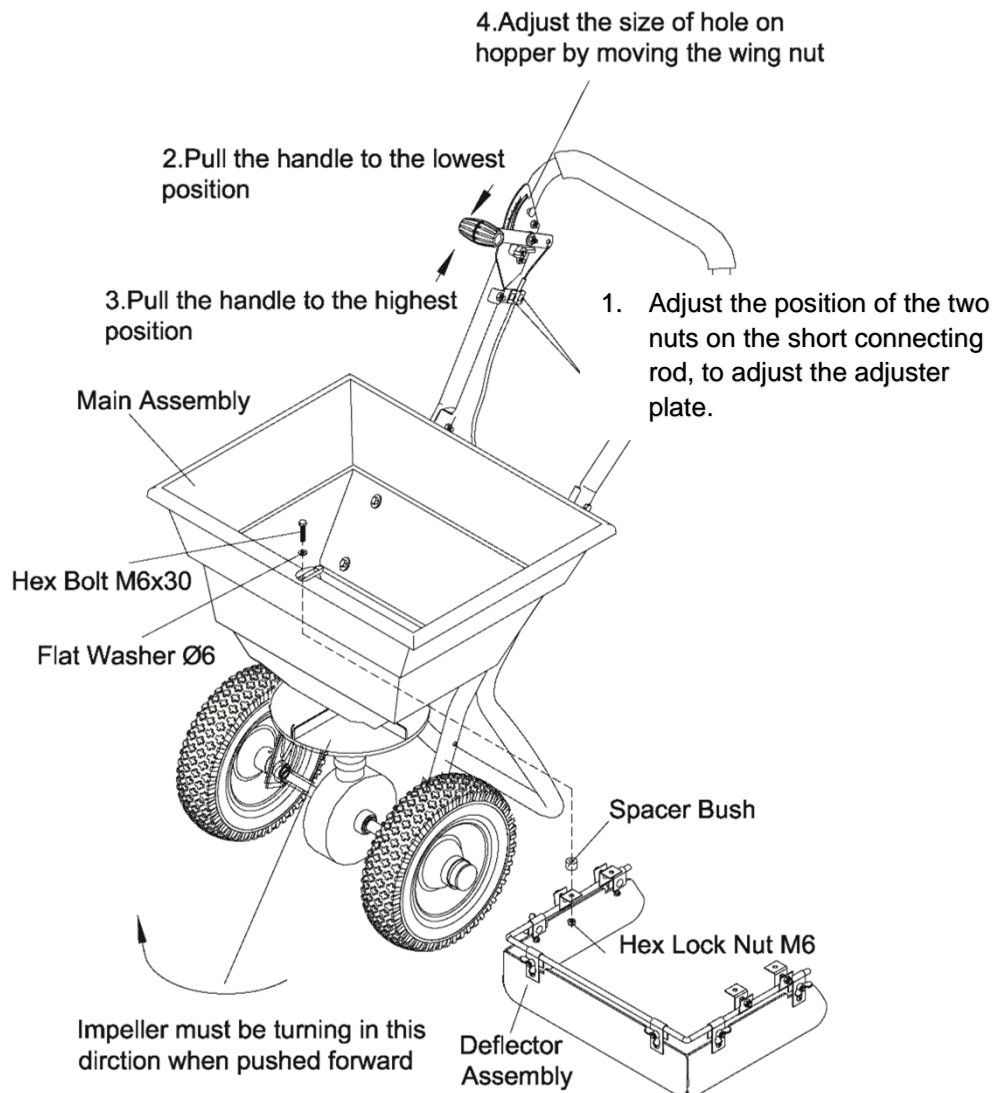
## STEP 5

- Insert the cable wire into the adjustable handle hole.
- Put the cable into the slot of the pressure plate.
- Secure with the clamping plate and screw on with the M5x10 bolts.
- Insert the R pin into the hole on small wheel shaft.



## STEP 6

- Attach four Flat Washers Ø6 to four Hex Bolts M6x30
- Insert into the hopper,
- Add the Spacer Bushes, then attach the Deflector Assembly to the bottom of the hopper.
- Fasten the bolts with four Lock Nuts M6.



## ADJUSTMENTS — SEE ABOVE IMAGE

If when you have finished all the above steps and the holes at the bottom of hopper cannot be opened and completely closed by using the handle, you will need to follow the instructions below.

1. Adjust the two M6 nuts on the pivot bracket, to make the hole on the fixed adjustable plate open completely.
2. To operate this spreader, push the adjustable handle to the lowest position (downwards).
3. Push the adjustable handle pole to the top position, to make the holes on the fixed adjustable plate close completely.
4. You may move the position of the wing nut on the gauge and lever to adjust the space of the hole between the hopper and the adjustable plate as per your need when spreading.

# MAINTENANCE

## LUBRICATE

Maintenance spray or multi-purpose grease can be applied to the wheel axle prior to long-term storage. Oiling is not necessary.

## GEARBOX

DO NOT open the gearbox. The gears are permanently lubricated at the factory and do not need lubricating.

## CHECK TYRE INFLATION

Prior to using the Spreader, ensure the tyres are sufficiently inflated. We recommend the use of **FOOT or HAND** inflation devices only. **Do not inflate above 25psi.**

## CLEANING

After each use thoroughly wash the spreader and clean material out of the hopper.

## STORING

Never allow material to stay in the hopper for extended periods. Before storing, ensure that the spreader is clean & dry. Store indoors or a protected area during severe weather & winter months.

## CHECK ALL NUTS, BOLTS AND FASTENING

Periodically check all fastenings are tight & secure.

## NEVER EXCEED LOAD CAPACITY

To avoid damaging the spreader, never exceed the rated load capacity of 36kg

## ONLY USE MANUFACTURER APPROVED PARTS

If a part needs replacing, only use the manufacturer's original parts. Non-original replacement parts will invalidate your warranty and may result in a safety hazard or poor operation.

# OPERATION



## DANGER

**The product must only be put into operation if no defects are found. It is crucial that defective parts are replaced before the product is used again. Check the safety equipment and the safe condition of the product: Check all parts to make sure that they fit tightly. Check whether there are any visible defects: broken parts, cracks, etc.**



## DANGER

**DO NOT EXCEED THE EQUIPMENT MAXIMUM LOAD CAPACITY OF 36KG**

**Before filling the hopper, familiarise yourself with the operation of this Spreader.**

- Move the stop bolt on the rate gauge assembly to the proper setting.
- To stop, push the lever forwards to close the flow hole before you stop moving.
- When finished, remove any remaining material from hopper.
- Thoroughly wash the spreader and allow it to dry before storing. No oiling is necessary
- If the Spreader does not spread evenly, ensure that the FRONT of the gearbox points towards the front of the Spreader. The impellor must rotate clockwise.
- Material which is stuck on the impellor blades will cause uneven spreading.
- Remove the agitator when using refined de-icing salt materials to reduce gearbox damage. **DO NOT USE ROCK SALT.**
- If fertiliser is accidentally deposited too heavily in a small area, soak the area thoroughly with a garden hose or sprinkler to prevent burning the lawn.
- When broadcasting weed control fertilisers, make sure the broadcast pattern does not hit evergreen trees, flowers or shrubs.
- Always use the rain cover in wet weather conditions to keep the hopper contents dry.

# RATE SETTINGS

Our spreaders are designed to spread dry, powdered or granulated materials thinly and evenly over reasonably smooth surfaces.

- Ensure that the material is dry and free-running. If in doubt pass it through a sieve with 3mm mesh to remove lumps.
- Set rate-setting dial to No 2.
- Fill the hopper approximately 3/4 full.
- Push the spreader forward and pull the control lever back to the Stop bolt. If the spread is uneven or inadequate, close the feed-gate and reset the dial to a higher number.

**Always move off BEFORE opening the feed-gate and close the gate BEFORE stopping.**



## CAUTION

The rate settings are guidelines only. Even branded materials may vary in grain size, humidity, density etc. If in any doubt choose a lower setting than that suggested or start at setting no. 2 and adjust as necessary, until an even spread is achieved.

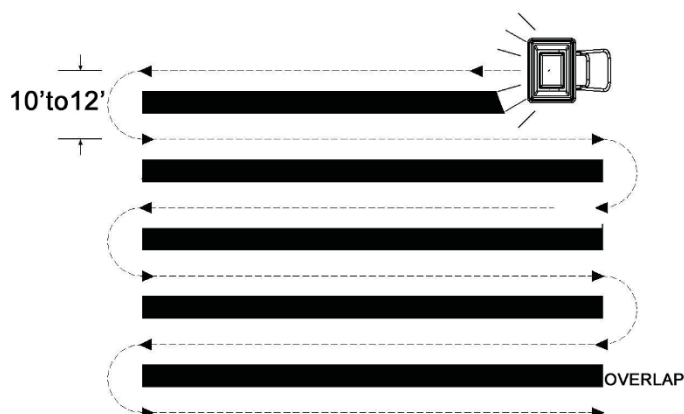


## WARNING

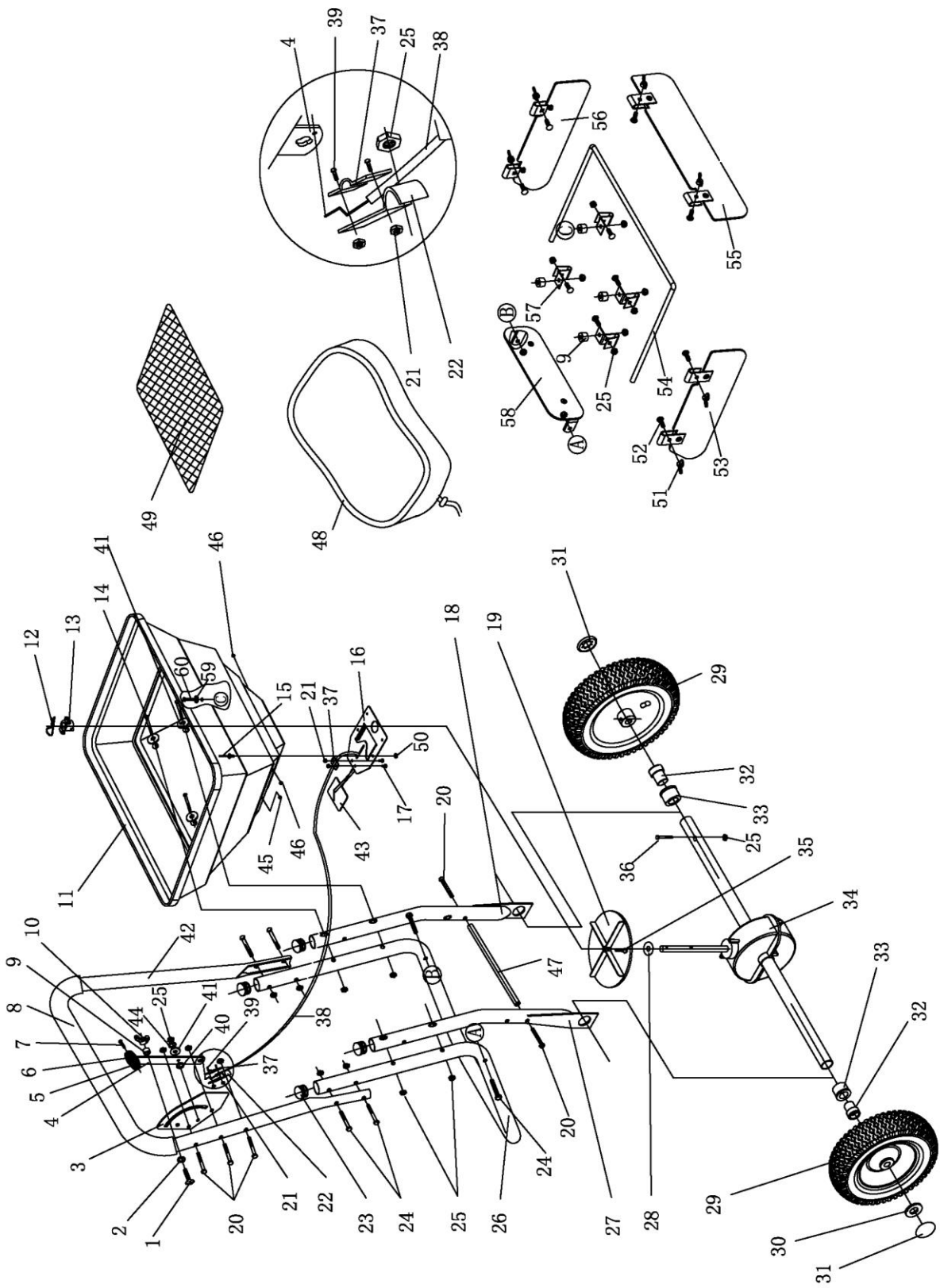
Do not over apply spreading material. Follow the recommended coverage rate for each product. Over application will lead to damage and contamination. If spreading material accidentally deposits too heavily, soak the area thoroughly with a garden hose or sprinkler to prevent burning.

## CONSISTENT COVERAGE

To ensure consistent coverage, ensure each broadcast pattern slightly overlaps the previous, as shown below. **N.B. ALWAYS MOVE OFF BEFORE OPENING FEED-GATE. ALWAYS CLOSE FEED-GATE BEFORE STOPPING.**



# PARTS DIAGRAM



**NOTE:** Parts Lists are supplied for information purposes only, not all parts are stocked individually & we recommend you contact our Spares Team on 01793 333212 for expert advice.

## PARTS LIST

Ref	Part No.	Description	Qty	Ref	Part No.	Description	Qty
1	TH178-1	Carriage Bolt M6x25	1	31	TH178-31	Axle End Cover	2
2	TH178-2	External-tooth Washer Ø8	1	32	TH178-32	Inner Axle Bushing	2
3	TH178-3	Gauge and Lever Assembly	1	33	TH178-33	Outer Axle Bushing	2
4	TH178-4	Adjust Handle Pole	1	34	TH178-34	Gear Box & Axle Assembly	1
5	TH178-5	Adjust Handle A	1	35	TH178-35	Screw M4x20	1
6	TH178-6	Adjust Handle B	1	36	TH178-36	Hex Bolt M6x60	1
7	TH178-7	Screw M4x18	1	37	TH178-37	Clamp Plate	2
8	TH178-8	Handle Grip	1	38	TH178-38	Adjustable Control Cable	1
9	TH178-9	Spacer Bush	5	39	TH178-39	Hex Bolt M5x10	1
10	TH178-10	Wing Nut M6	1	40	TH178-40	Nylon Washer	1
11	TH178-11	Hopper	1	41	TH178-41	Big Flat Washer Ø6	5
12	TH178-12	R Pin Ø2.5x80	1	42	TH178-42	Handle	1
13	TH178-13	Centre Cover	1	43	TH178-43	Active Adjustable Plate	1
14	TH178-14	Hex Bolt M6x70	4	44	TH178-44	Spring Washer Ø6	1
15	TH178-15	Rivet Ø5X13	4	45	TH178-45	Big End Cover	1
16	TH178-16	Fixed Adjustable Plate	1	46	TH178-46	Small End Cover	2
17	TH178-17	Hex Bolt M5x12	2	47	TH178-47	Fixing Connecting Rod	1
18	TH178-18	Wheel Assembly Frame (Left)	1	48	TH178-48	Rain Cover	1
19	TH178-19	Impeller	1	49	TH178-49	Hopper Screen	1
20	TH178-20	Hex Bolt M6x35	5	50	TH178-50	Flat Washer Ø5	4
21	TH178-21	Hex Lock Nut M5	4	51	TH178-51	Wing Nut M6	6
22	TH178-22	Pivot Bracket	1	52	TH178-52	Carriage Bolt M6x20	10
23	TH178-23	Tube End Cap	4	53	TH178-53	Left Deflector	1
24	TH178-24	Hex Bolt M6x40	6	54	TH178-54	Boom stick	1
25	TH178-25	Lock Nut M6	23	55	TH178-55	Front Deflector	1
26	TH178-26	Support Leg	1	56	TH178-56	Right Deflector	1
27	TH178-27	Wheel Assembly Frame (Right)	1	57	TH178-57	Clevis	4
28	TH178-28	Thin Washer	1	58	TH178-58	Rear Deflector	1
29	TH178-29	Pneumatic Wheel	2	59	TH178-59	Flat Washer Ø6	4
30	TH178-30	Flat Washer Ø16	1	60	TH178-60	Hex Bolt M6x30	4

**NOTE:** Parts Lists are supplied for information purposes only, not all parts are stocked individually & we recommend you contact our Spares Team on 01793 333212 for expert advice.



# GJ HANDY & CO LTD USER WARRANTY POLICY

## **Users Statement of Warranty**

Each new machine is warranted against defective material or assembly of material under normal usage. The warranty applies to the original purchaser and covers faulty parts and the labour involved in replacing and repairing those parts, which are of original manufacture.

## **Period of Warranty**

### **All Webb & Webb Pro machines plus Sanli engines.**

- a) 2 years from the original date of sale to the first domestic user.
- b) 90 days from the original date of sale to the professional/commercial user.
- c) 90 days from the original date of sale when used for hire.
- d) A reduced warranty period of 90 days applies to those items which are subject to normal wear and tear (e.g. but not limited to wheels, tyres, cutter bars, cylinders, blades, belts, cables, grass bags, spark plugs).
- e) Engines as per the manufacturer's warranty statement which will be supplied with the machine.
- f) 90 days from the original date of purchase for Replacement Spare Parts (unless normal wear & tear component, which are covered for 30 days).
- g) All machines' must be serviced within the first 12 months from the original date of purchase to comply with the warranty, failure to do so will invalidate the 2nd year of the warranty.

### **All Handy, Mowerland and Q-Garden products.**

- a) 1 year from the original date of sale to the first domestic user.
- b) 90 days from the original date of sale to the professional/commercial user.
- c) 90 days from the original date of sale when used for hire.
- d) A reduced warranty period of 90 days applies to those items which are subject to normal wear and tear (e.g. but not limited to wheels, tyres, cutter bars, cylinders, bottom blades, belts, cables, collection bags, spark plugs).
- e) Engines as per the manufacturer's warranty statement which will be supplied with the machine.
- f) 90 days from the original date of purchase for Replacement Spare Parts (unless normal wear & tear component, which are covered for 30 days).

All warranty repairs must be undertaken by an authorised service dealer. These dealers have been accredited by GJ Handy & Co Ltd and agree to only use genuine parts and follow our repair procedures.

# GJ HANDY & CO LTD USER WARRANTY POLICY

## Not covered by this warranty

- a) The warranty policy does not cover any depreciation or damages caused by ordinary wear, rusting or corrosion, lack of correct maintenance or operation, misuse, abuse, lack of transportation or accident.
- b) The warranty policy does not cover any costs necessary for the standard periodic maintenance services instructed by the operator's manual, or service parts replacement which would include oil, filters, tyres, belts, brake linings, fuses, blades, seals and other service parts unless it can be proven that the item has evidence of faulty manufacture.
- c) The warranty policy will not cover failure or damage caused as a result of parts or accessories being modified without the written approval of GJ Handy & Co Ltd.
- d) The warranty policy will not cover the unit if non-genuine parts have been fitted and as a result damage has occurred to the unit.
- e) The warranty policy is non-transferable and is only applicable to the original purchaser.

## Disclaimer

- a) This warranty is only a remedy for defect of products. GJ Handy & Co Ltd will never warranty in terms of the merchantability or the fitness for a particular purpose.
- b) No person is authorised to make any warranties, representations or promises, expressed or implied, on behalf of GJ Handy & Co Ltd, or to modify the terms conditions or limitation of this warranty policy in any way.
- c) Neither GJ Handy & Co Ltd nor any company affiliated with GJ Handy & Co Ltd shall be liable in any event or manner whatsoever for incidental or consequential damages or injuries, including, but not limited to, loss of crops, loss of profit, out of pocket expenses or profits, rental of substitute equipment or other commercial losses.

## General

- a) Most warrantable failures show up within the first few weeks of use. These failures are usually straightforward and warranty assessment is relatively easy.
- b) Failures relating to cutter decks and belts need careful investigation, as the cause may not always be straightforward. Look for damage to blades and pulleys especially when the cutter belt or blade boss have snapped or cracked as this could be due to impact damage.
- c) Customers should always refer to the operator/instruction manual when any disputed problem arises, you will find most areas covered within the manual.



For spares or support of your handy product,  
please contact us:

Tel: 01793 333212

(Mon – Fri 8.00am to 5.30pm excl. Bank Holidays)

Email: [customerservice@handydistribution.co.uk](mailto:customerservice@handydistribution.co.uk)

**To see our range of garden machinery & equipment visit:**

**[www.thehandy.co.uk](http://www.thehandy.co.uk)**

**Making gardening easier & affordable since 1938**

Distributed by Handy Distribution, Murdock Road, Dorcan, Swindon, SN3 5HY