



INSTRUCTION MANUAL

175LB (88L) TOWED SPREADER

MODEL NO: THTS175 -- PRODUCT NO: 1938209001

EN - ORIGINAL INSTRUCTIONS

ASSEMBLY REQUIRED - MINIMUM TWO PERSONS

SAVE THESE INSTRUCTIONS

SPARES & SUPPORT: 01793 333212



FOR YOUR SAFETY

Please read & understand this manual, paying attention to the safety instructions, before use.

Incorrect use of the product could put the operator or machine in danger.

Whilst every effort has been made to ensure the accuracy of information contained in this manual, our policy of continuous improvement determines the right to make modifications without prior warning.

Images used are for illustration purposes only

Copyright Notice

Copyright © Handy Distribution

Permission is granted to reproduce this publication for personal & educational use only.

Commercial copying, redistribution, hiring or lending is prohibited.

No part of this publication may be stored in a retrieval system or transmitted in any other form or means without written permission from Handy Distribution.

In all cases this copyright notice must remain intact.

CONTENTS

SPECIFICATIONS

IMPORTANT INFORMATION

GENERAL SAFETY INSTRUCTIONS

ABOUT YOUR MACHINE

COMPONENTS

ASSEMBLY

OPERATION

MAINTENANCE

STORAGE

PARTS DIAGRAM & LIST

WARRANTY

CE DECLARATION OF CONFORMITY

ASSEMBLY IS REQUIRED - MINIMUM TWO PERSONS

This product requires assembly before use. See "Assembly" section for instructions. Because of the weight and/or size of the trailer, it is recommended that another adult be present to assist with the assembly. **INSPECT ALL COMPONENTS** closely upon receipt to make sure no components are missing or damaged.

If you require assistance with regards to the contents or operation of the machine, please contact us:

TEL: 01793 333212

EMAIL: customerservice@handydistribution.co.uk

(MON – FRI 8.00AM TO 5.30PM EXCL. BANK HOLIDAYS)

SPECIFICATIONS

The manufacturer reserves the right to change the product specification and livery according to continued product improvements.

Model	THTS175
Product Number	1938209001
Weight	N.W 24kg
Spread Width	10-12" (305-366cm)
Load Capacity	175lb (88L)
Frame	Steel
Wheel Size	14" (35.5cm)
Hitch Type	Pin
Tyre Pressure	20PSI (Inflate using manual foot or hand inflation device)

IMPORTANT INFORMATION








INTENDED USE

The product is intended for domestic gardens. This product is not intended for commercial use. Generally acknowledged accident prevention regulations and enclosed safety instructions must be observed. Only perform work described in these instructions for use, any other use is incorrect. The manufacturer will not assume responsibility for damage resulting from such use.

GENERAL SAFETY INSTRUCTIONS

It is important that you read and understand the owner's manual and labels affixed to the machine. Learn its application and limitations as well as the specific potential hazards. Retain these instructions for future reference. The operator is responsible for following the warnings & instructions in this manual and on the product.

SAFETY SYMBOLS

	Read & understand the operator's manual for the trailer and the ride on product used to pull the trailer before using the machine. Failure to follow instructions could result in death or serious injury.		Risk of Slicing. Keep hands out of the way of all moving parts.
	Wear gloves to protect your hands. Wear foot protection at all times. Wear eye protection to protect against flying objects.		Safety alert symbol. Used to alert you to potential personal injury hazards. Obey all safety messages that follow this symbol to avoid possible injury.
 DANGER	Indicates an imminently hazardous situation which, if not avoided, will result in serious injury.	 WARNING	Indicates a potentially hazardous situation which, if not avoided, could result in serious injury.
 CAUTION	Indicates a potentially hazardous situation which, if not avoided, may result in minor or moderate injury.	CAUTION	Used without the safety alert symbol indicates a potentially hazardous situation which, if not avoided, may result in property damage.

IMPORTANT SAFETY WARNINGS



TO REDUCE RISK OF INJURY: Before any use be sure everyone using this product reads and understands all safety instructions and other information contained in this manual.

GENERAL SAFETY

STAY ALERT

Do not operate the machine while under the influence of drugs, alcohol, or any medication that could affect your ability to use it properly. Do not use this machine when you are tired or distracted from the job at hand. Be aware of what you are doing at all times. Use common sense.

USERS

Do not at any time carry passengers sit or stand on the machine. Do not allow children to play on, stand upon or climb in the machine. Never allow children or people unfamiliar with these instructions to use the machine. Local regulations can restrict the age of the operator.

AVOID DANGEROUS CONDITIONS

Work in daylight or in good artificial light; always be sure of your footing on slopes; walk, never run with the machine; exercise extreme caution when changing direction on slopes; do not work on excessively steep slopes; use extreme caution when reversing or pulling the machine towards you; do not put hands or feet near or under rotating or moving parts.

KEEP BYSTANDERS AND CHILDREN AWAY

Keep unauthorised persons a safe distance away from the machine. If approached, stop the machine immediately. Do not allow children to handle, climb on or use the machine. Keep in mind the operator or user is responsible for accidents or hazards occurring to other people or their property.

INSPECT YOUR MACHINE

Check all bolts, nuts, and screws for tightness before each use, especially those securing guards and drive mechanisms. Vibration during use, may cause these to loosen.

Form a habit of checking to see that all other tools/equipment are removed from the working area before turning it on. Replace damaged, missing or failed parts before using it. Warning labels carry important information. Replace any missing or damaged warning labels.

DRESS PROPERLY

Do not wear loose clothing, gloves, scarfs, neckties or jewellery (rings, wrist watches), which can be caught in moving parts. Always wear long trousers. Always wear substantial non slip, substantial or heavy-duty safety footwear are highly recommended when working. Never operate barefoot or when wearing sandals. Wear a face or dust mask if the operation is dusty. Always wear safety glasses/goggles and/or face shields. Everyday eyeglasses have only impact resistant lenses; they are not safety glasses/goggles. Wear protective hair covering to contain long hair, preventing it from getting caught in machinery.

DO NOT OVERREACH

Keep proper footing and balance at all times when using the machine. Use on slopes with great care. Never stand on the machine. Serious injury could occur if the machine is tipped or if the moving parts are unintentionally contacted. Do not store anything above or near the machine, where anyone might stand on the machine to reach them.

AVOID INJURY FROM UNEXPECTED ACCIDENT

Keep hands & feet out of the way of all moving parts. Do not place any part of your body or any tool e.g. in the machine during operation.

DO NOT FORCE TOOL

Always work within the rated capacity. Do not use machine for a purpose for which it was not intended. Before operating vehicle on any grade (hill) refer to the safety rules in the vehicle owner's manual concerning safe operation on slopes. **Stay off steep slopes!** Always operate at reduce speed in rough terrain, along creeks, ditches and on hillsides. Do not operate close to creeks, ditches and public highways. To avoid personal injury and/or equipment damage **DO NOT EXCEED 5 MPH**. Always use caution when loading and unloading the cart. Only tow with recommended vehicles (Lawn/Garden Tractors and ATVs). Always secure and lock dump cart to the vehicle hitch before operating.

NEVER LEAVE MACHINE RUNNING UNATTENDED

Do not leave the machine unattended until it has come to a complete stop.

TYRE INFLATION

Tyre pressures must always be inspected prior to each use. Do not over inflate and always use a manual foot

or hand pump. **DO NOT EXCEED 20PSI.**

INSPECT

Before using, always visually inspect to see that the tools are not worn or damaged. Replace worn or damaged elements and bolts in sets, to preserve balance.

MAINTAIN YOUR MACHINE WITH CARE

Clean the machine immediately after use. Keep the machine clean to ensure it operates to it's full and safest performance. When maintaining this machine, only the manufacturer's original replacement parts should be used. The use of non-original manufacturer parts may invalidate your warranty.

PROTECT THE ENVIRONMENT

Take left over materials to an authorised collection point or follow the stipulations in the country where the machine is used. Do not discharge into drains, soil or water.

STORE IDLE EQUIPMENT

When not in use, the machine should be stored in a dry location. Keep the machine away from children and others not qualified to use it. Keep away from direct sunlight.



WARNING

The warnings, cautions, and instructions outlined in this instruction manual cannot cover all possible conditions or situations that may occur. It must be understood by the operator that common sense and caution are factors which cannot be built into this product and must be supplied by the operator.

ABOUT YOUR MACHINE

This heavy-duty tow-behind lawn spreader makes work a breeze. The steel and nylon construction are durable and lightweight, making it wear and rust-resistant, easy to tow, and easy to clean. The tow-behind spreader features a one-handed lever to adjust the spreading rate. It can be stored in a shed or garage with minimal space. The large hopper makes loading and unloading fast and convenient.



1.	Hopper Holds up to 175lb (88L)	3.	Tyres Pneumatic tyres (DO NOT OVER INFLATE)
2.	Adjuster Plate Lever & Gauge Adjusts the	4.	Hitch Pin style; use only with approved vehicles.

COMPONENTS

This product must be assembled correctly before use. Carefully remove the product and any accessories from the carton. Inspect the product carefully to make sure there are no breakages or damage occurred during shipping. Do not discard the packing material and carton until you have carefully inspected and satisfactorily operated the product.

Take all parts out of the shipping crate and inspect components to ensure there are no missing pieces before starting to assemble the spreader.

If you require assistance with regards to the contents or operation of the machine, please contact us:

TEL: 01793 333212

EMAIL: customerservice@handydistribution.co.uk

(MON – FRI 8.00AM TO 5.30PM EXCL. BANK HOLIDAYS)



WARNING

If any parts are damaged or missing do not operate this product until the parts are replaced. Failure to heed this warning could result in serious personal injury.

Do not attempt to modify this product or create accessories not recommended for use with this product. Any such alteration or modification is misuse and could result in a hazardous condition leading to possible serious personal injury.

Read and follow all instructions for assembly and operation. Failure to properly assemble this equipment could result in serious injury to the user or bystanders, or cause equipment damage.

Hex Bolt M6x20
x2



Hex Bolt M6x35
x1



Hex Bolt M6x45
x3



Hex Bolt M6x50
x7



Hex Bolt M8x45
x2



Nylock Nut
M6 x13



Nylock Nut
M8 x3



Large Flat
Washer Ø6 x9



Flat
Washer Ø8 x1



Flat Washer
Ø16 x6



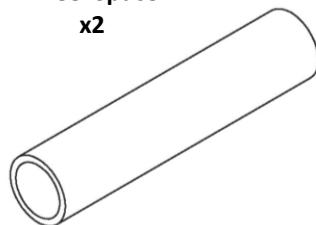
Cotter Pin
Ø4x40 x2



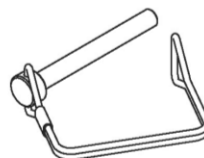
R-Clip Ø3x75
x9



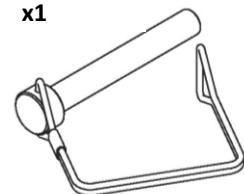
Wheel Spacer
x2

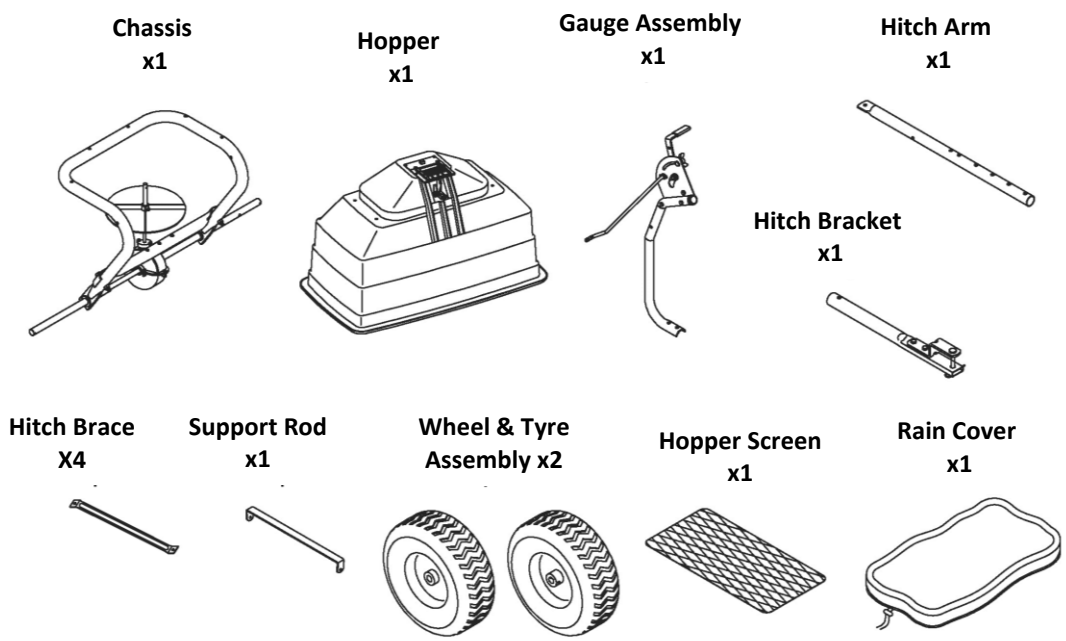


Drive Pin Ø6x45
x1



Drive Pin Ø9x60
x1



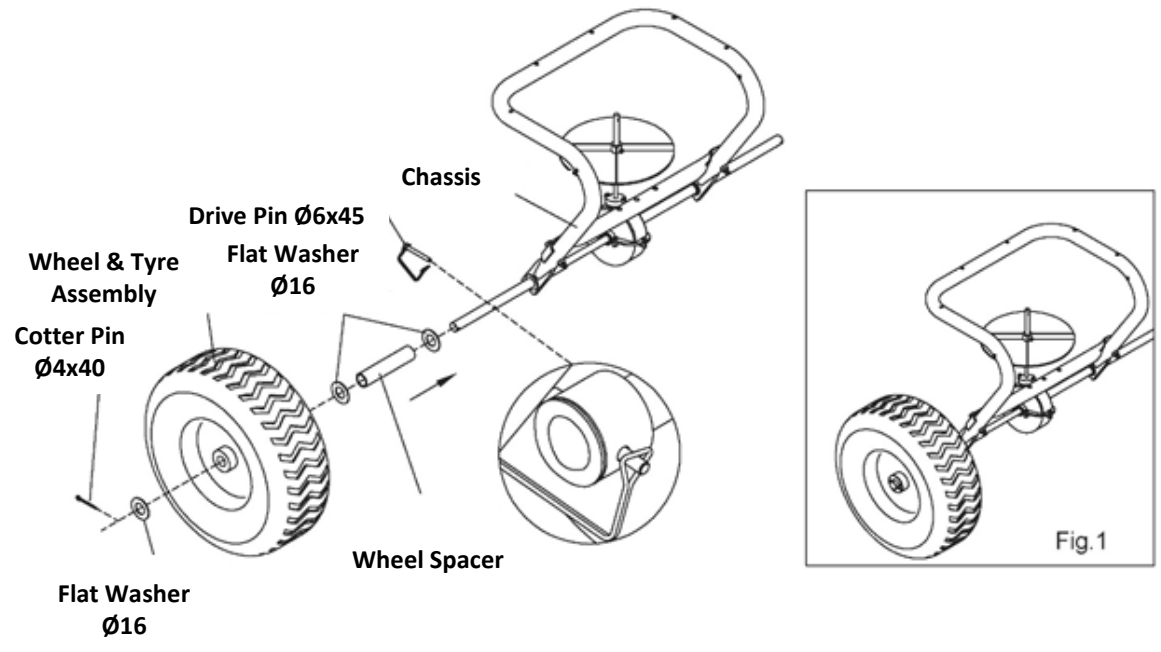


ASSEMBLY

Before assembling the towed spreader, lay out all of the parts and hardware as shown on the previous pages.

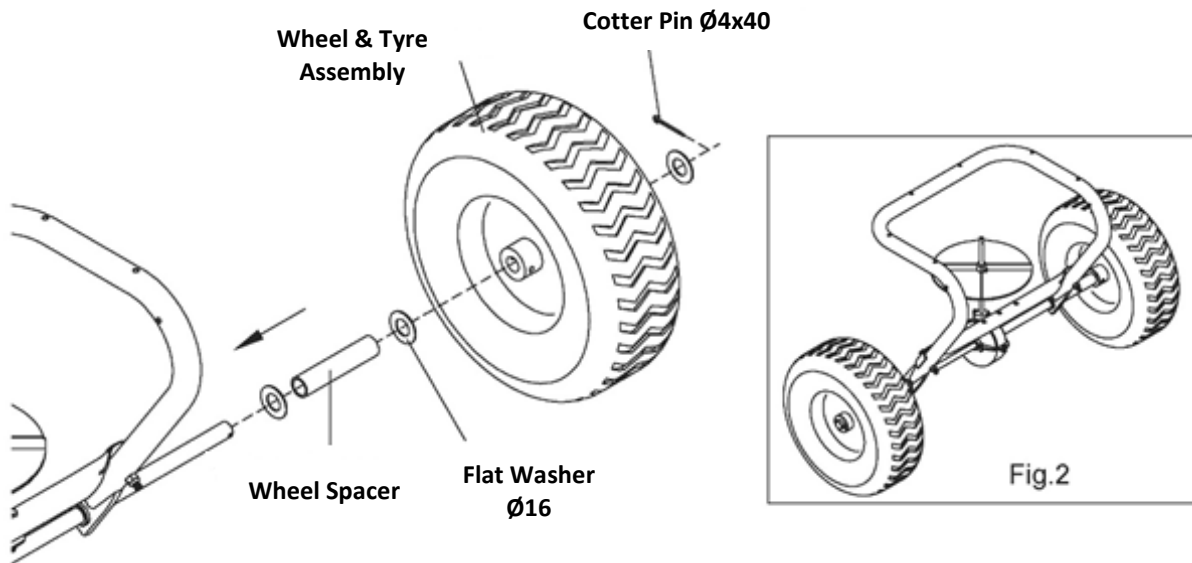
STEP 1

In the following order put flat washer $\varnothing 16$, wheel spacer, second flat washer $\varnothing 16$, Tire, third flat washer $\varnothing 16$ on the end of wheel axle. Insert the cotter pin $\varnothing 4 \times 40$ into the small hole on the axle and bend to secure. Rotate the wheel so that the hole on the inside of the wheel is aligned with the hole on the axle, then Insert drive pin $\varnothing 6 \times 45$ and lock it.



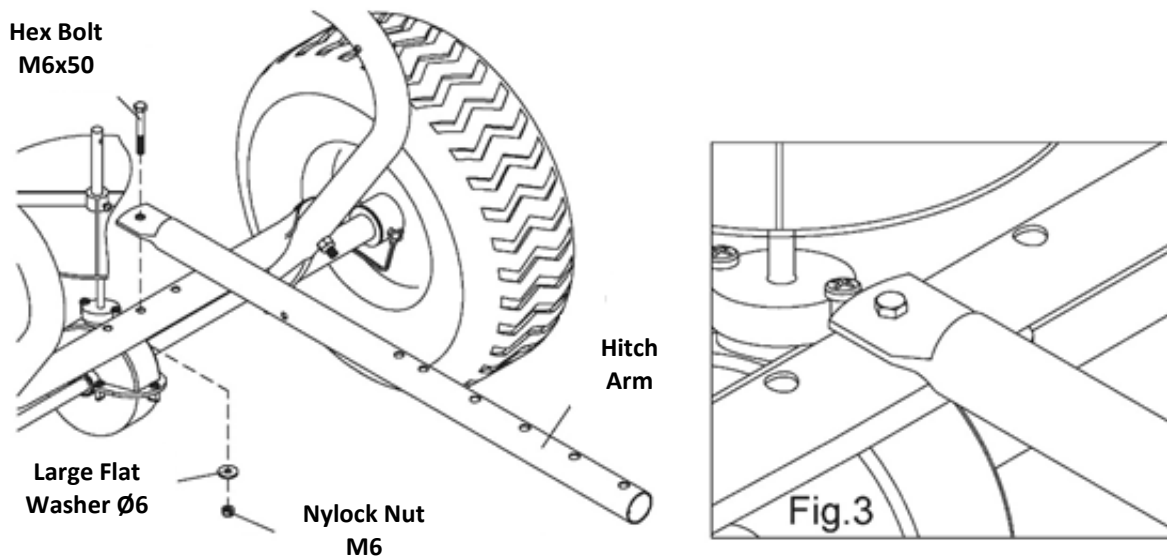
STEP 2

In the following order put flat washer $\varnothing 16$, wheel spacer, second flat washer $\varnothing 16$, Tire, third flat washer $\varnothing 16$ on the end of wheel axle. Insert the cotter pin $\varnothing 4 \times 40$ into the small hole on the axle and bend to secure.



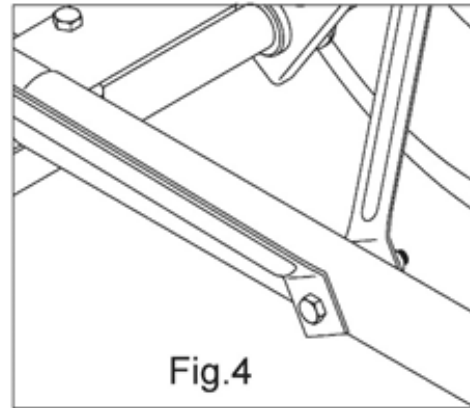
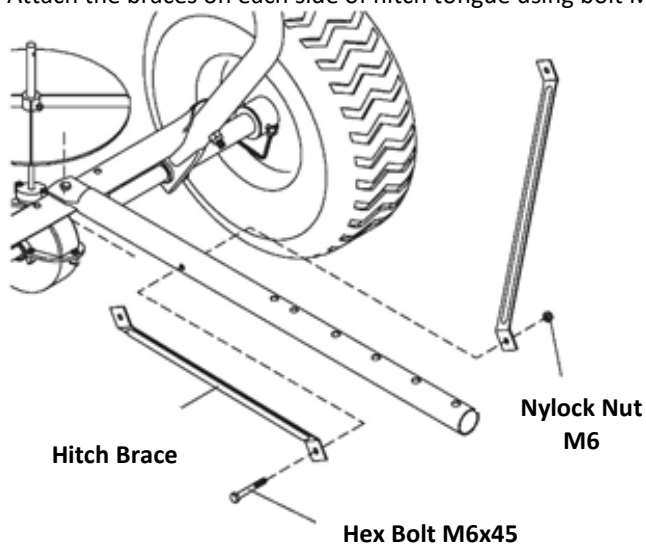
STEP 3

Insert the hex bolt M6x50 after aligning the hole on the flat end of hitch tongue (stay on top) with the one at the middle of crossover tube. Connect using a large flat washer $\varnothing 6$ and nylon lock nut M6 and don't screw it up moderately.



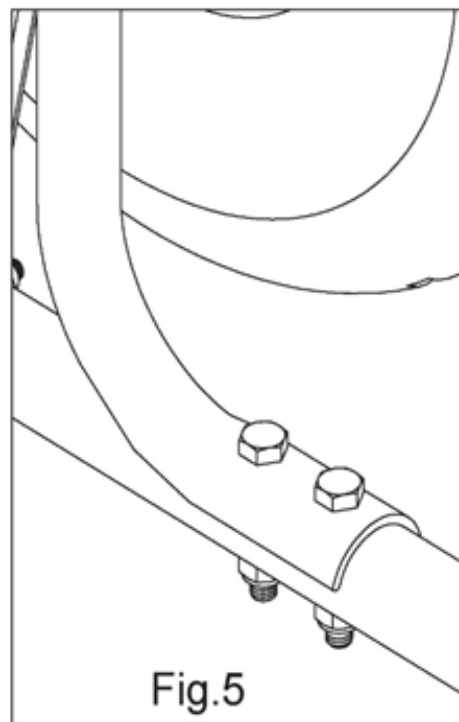
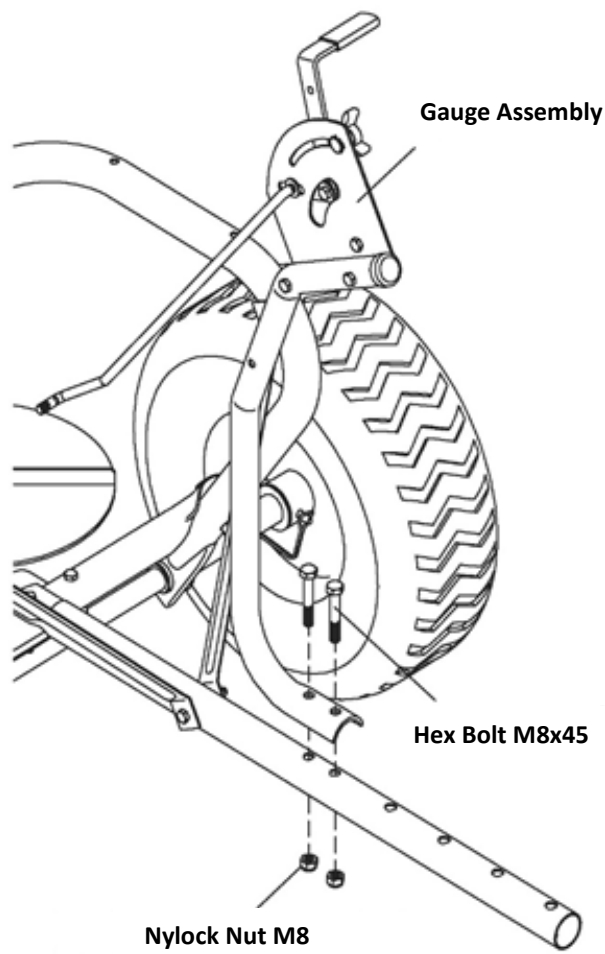
STEP 4

Attach the braces on each side of hitch tongue using bolt M6x45 and nylon lock nut M6. Loosely tighten.



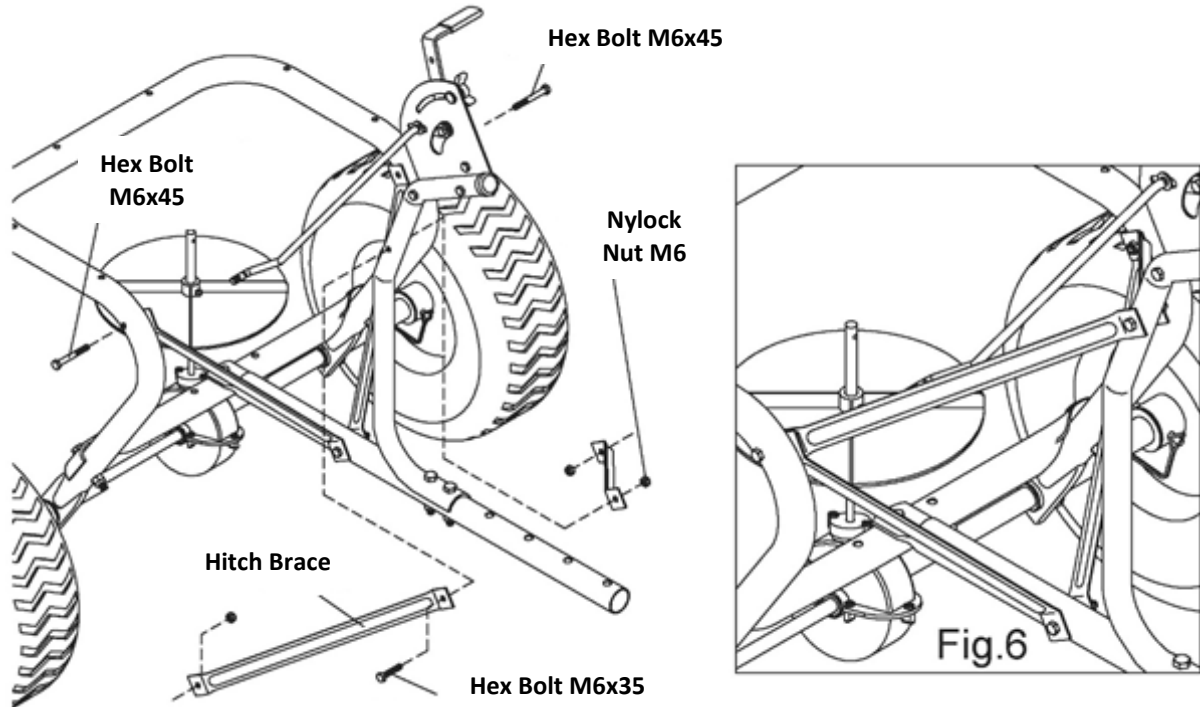
STEP 5

Attach the gauge & lever assembly to the middle of Hitch Tongue using two hex bolts M8x45 and nylon lock nuts.



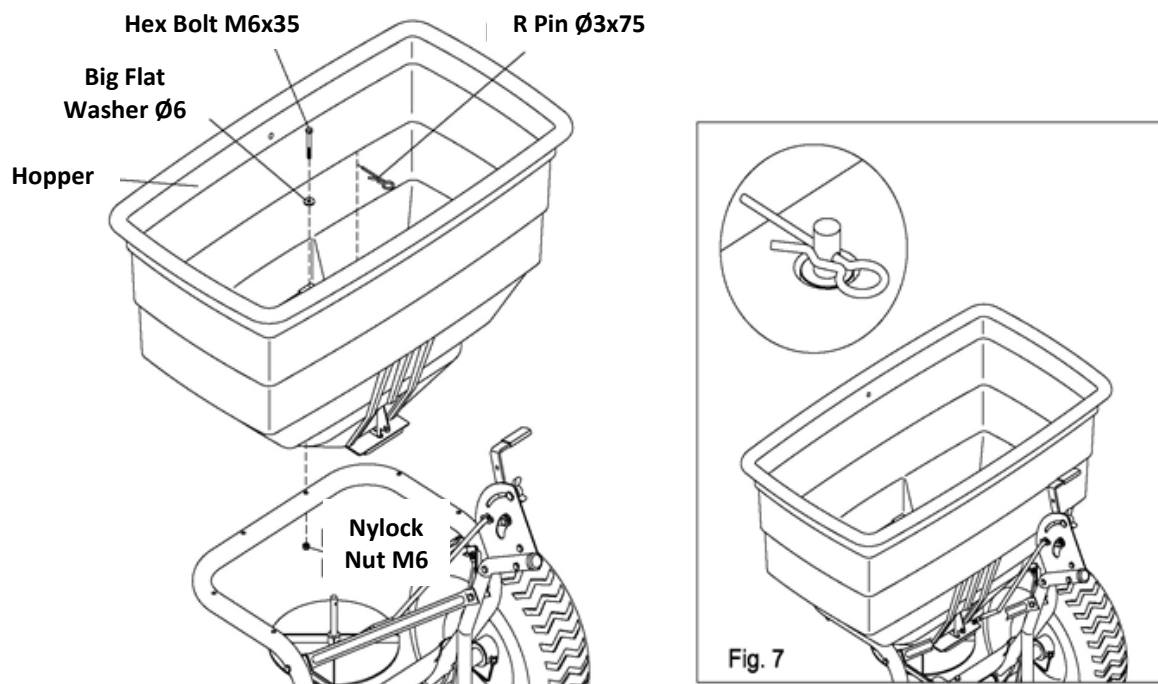
STEP 6

1. Attach the two upper braces on each side of the gauge & lever assembly using hex bolt M6x45 and nylon lock nut M6. Loosely tighten.
2. Connect other four end of the braces to the upper mounting tube using bolt M6x45 and nylon lock nut M6.
3. Tighten all hardware.



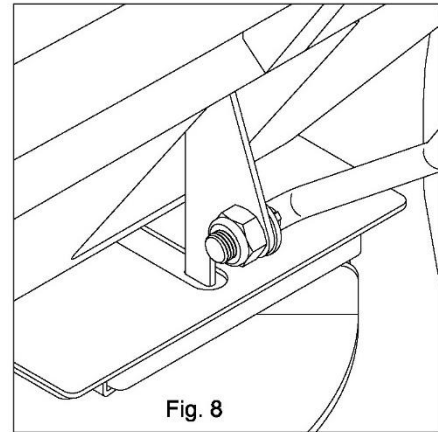
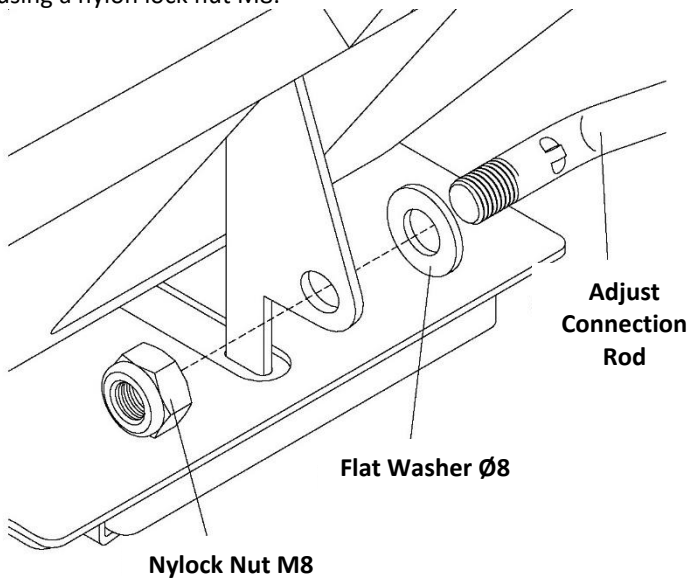
STEP 7

1. Align all the six holes around inside of hopper and frame and attach using bolts M6x50, big flat washer $\varnothing 6$ on the top and secure with nylon lock nuts M6 on the bottom. Adjust parts so the impeller moves freely and tighten the hardware holding the hopper.
2. Insert the R pin $\varnothing 3 \times 75$ into the hole on the swivel axle.



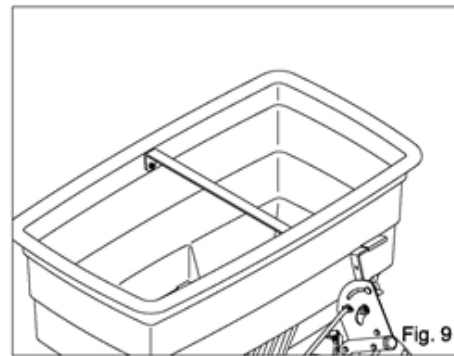
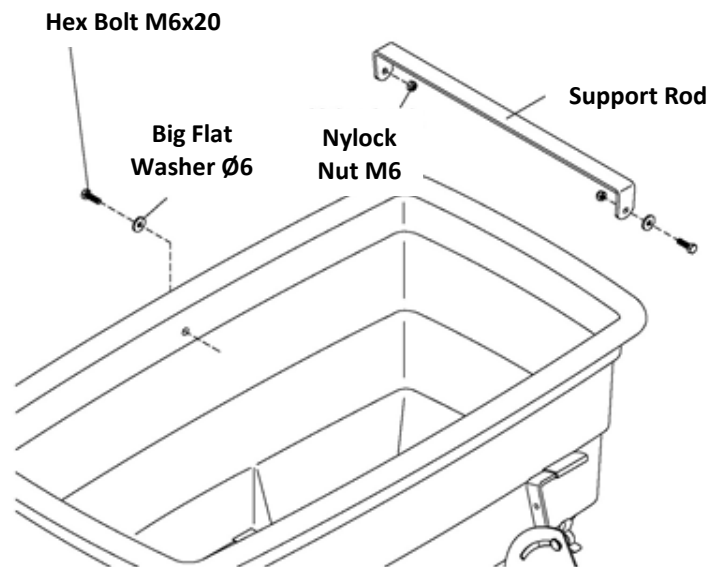
STEP 8

Install one flat washer $\varnothing 8$ on the end of connection rod and insert into the hole on the rod base and secure using a nylon lock nut M8.



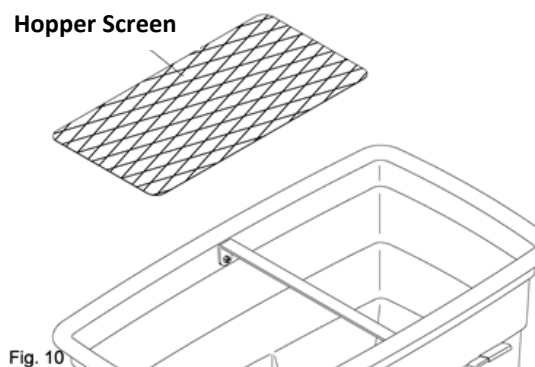
STEP 9

Attach the support rods to the hopper using the hex bolts M6x20, big flat washers $\varnothing 6$ and nylon lock nuts M6.



STEP 10

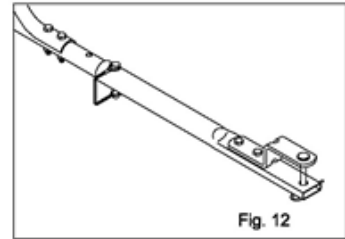
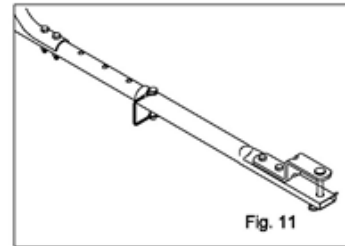
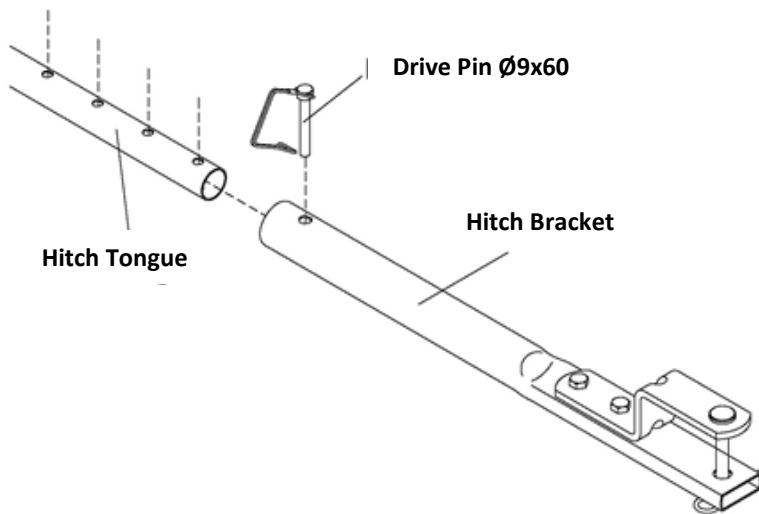
Insert the hopper screen into the bottom of the hopper.



STEP 11

Connect hitch bracket to hitch tongue using the drive pin $\varnothing 9 \times 60$.

NOTE: Hitch Tongue is adjustable to different lengths.

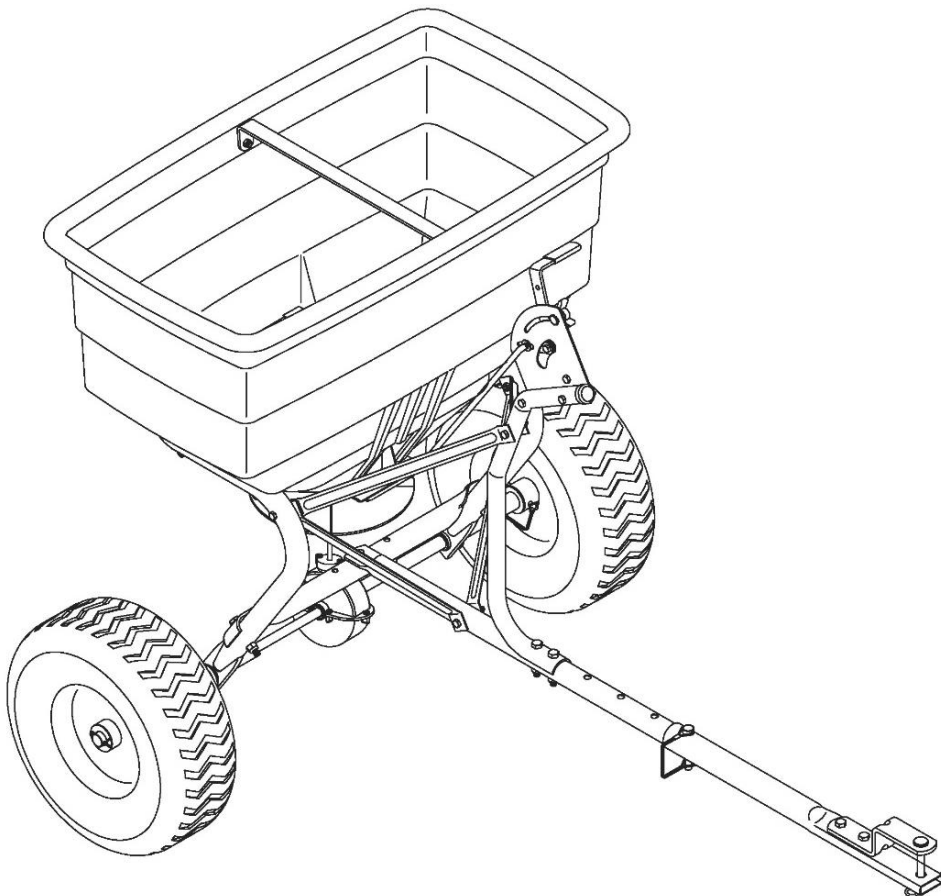


STEP 12

Before operating the tow behind spreader make sure all hardware is securely tightened.

() Push the adjustable handle on Gauge & Lever assembly to the proper setting while spreading.*

() Push the adjustable handle on Gauge & Lever assembly to the lowest position to stop spreading.*



OPERATION



WARNING

Before using the spreader, review the instructions below and safety information. Failure to follow these instructions may result in property damage or injury to the operator or bystanders.

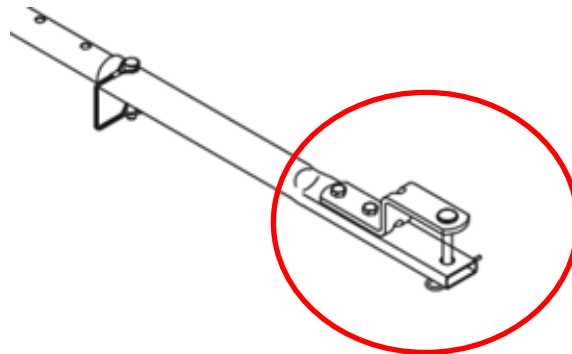
USING YOUR SPREADER

Exercise caution at all times when using power equipment.

- Read this owner's manual carefully for operating and service instructions before attempting to assemble or operate this equipment. Be thoroughly familiar with the proper use of this equipment.
- Read the vehicle owner's manual and vehicle safety rules, and know how to operate the vehicle before using this equipment.
- Never allow children to operate the tractor or lawn sweeper attachment, and do not allow adults to operate without proper instructions.
- Always handle with care (wear gloves) and wear substantial footwear when operating this spreader.
- Do not allow anyone to ride or sit on spreader attachment frame or on towing vehicle.
- Keep the area of operation clear of all persons, particularly small children and also pets.
- Always begin with the transmission in first (low) gear and engine at low speed, and gradually increase speed as conditions permit.
- The vehicle braking and stability may be affected with the attachment of this equipment. Be aware of changing conditions on slopes. Refer to safety rules in the vehicle owner's manual concerning safe operation on slopes. **STAY OFF OF STEEP SLOPES.**
- **Do not exceed 5MPH**
- **Tyre pressures must always be inspected prior to each use. Do not over inflate and always use a manual foot or hand pump. DO NOT EXCEED 20PSI.**
- Always operate up and down a slope, never across the face of a slope.
- Always use caution when loading and unloading the hopper.
- Only tow with recommended vehicles (Lawn/Garden Tractors and ATVs).
- Always refer to the vehicle owner's manual for proper towing.
- Sweeper is not designed to be used with zero-turn mowers.
- Always secure and lock the spreader to the vehicle hitch before operating.
- This equipment should be operated at reduced speed on rough terrain, along creeks and ditches and on hillsides, to prevent tipping and loss of control. Do not drive too close to a creek or a ditch.
- Do not tow this equipment on a highway or any other public thoroughfare.
- Follow the maintenance instructions as outlined in this owner's manual.

ATTACH THE SPREADER TO THE TOWING VEHICLE

On a level surface, line up the towing vehicle with the spreader. Use the hitch pin and insert the R Pin $\varnothing 3$ to secure the hitch pin.



TOWING THE SPREADER

Your sweeper is designed to work at speeds of 5mph and lower. You may damage the device or experience sub-optimal results if exceeding 5mph. Your spreader will work best on flat, smooth surfaces. If operating on a slope, always tow the sweeper up or down the surface of the hill, not sideways along the slope.

RATE SETTINGS

Our spreaders are designed to spread dry, powdered or granulated materials thinly and evenly over reasonably smooth surfaces.



- Check the material to be spread packaging for correct spreader settings and application rate.
- Before filling the spreader, ensure the control lever is back to the stop bolt, with the feed-gate closed.
- Ensure that the material is dry and free-running. If in doubt pass it through a sieve with 3mm mesh to remove lumps.
- When the gauge handle is at 0, the hopper is completely closed. Moving the handle towards 30, the hopper will gradually open. At 30, the hopper is completely open.

TO GAIN YOUR IDEAL SETTING

- Set rate-setting dial to No 15.
- Fill the hopper approximately 3/4 full.
- Pull the spreader forward on a flat surface (e.g. driveway) and pull the control lever back to the Stop bolt. If the spread is uneven or inadequate, close the feed-gate and reset the dial to a higher number.

Always move off BEFORE opening the feed-gate and close the gate BEFORE stopping.

- Maximum towing speed 5 MPH.



CAUTION

The rate settings are guidelines only. Even branded materials may vary in grain size, humidity, density etc. If in any doubt choose a lower setting than that suggested or start at setting no. 2 and adjust as necessary, until an even spread is achieved.



WARNING

Do not over apply spreading material. Follow the recommended coverage rate for each product. Over application will lead to damage and contamination. If spreading material accidentally deposits too heavily, soak the area thoroughly with a garden hose or sprinkler to prevent burning.



CAUTION

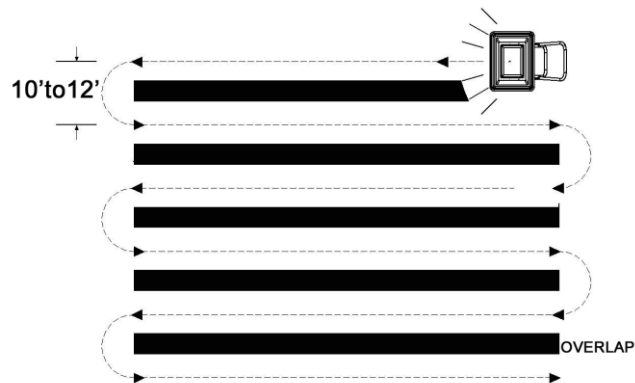
DO NOT USE WITH ROCK SALT.

Using rock salt in this spreader will damage the mechanism and shorten the life of the product. Refined ice melting salt can be used but the user should be aware that this is not a specialised salt spreader and using salt may corrode the spreader and reduce the life of the machine. Clean the spread thoroughly after using refined de-icing salt.

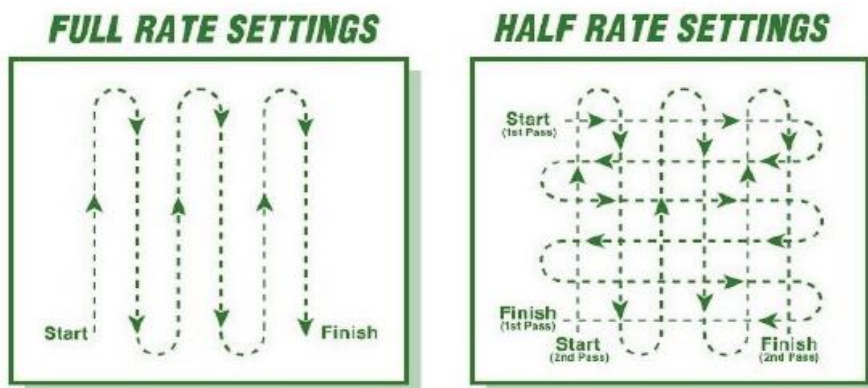
CONSISTENT COVERAGE

To ensure consistent coverage, ensure each broadcast pattern slightly overlaps the previous, as shown below.

N.B. ALWAYS MOVE OFF BEFORE OPENING FEED-GATE.ALWAYS CLOSE FEED-GATE BEFORE STOPPING



SUGGESTED SPREADING PATTERNS



MAINTENANCE



WARNING

Improper maintenance and storage of the spreader may void your warranty.

- After each use clean material out of hopper.
- Rinse/dry inside and outside of the spreader after each use.
- Periodically check all fasteners for tightness and replace any damaged fasteners.
- Annually clean and lightly lubricate all moving parts.
- Use a glossy enamel spray paint to touch up scratched or worn painted metal surfaces.
- Never exceed the hopper load capacity rating.
- Regularly grease axle and wheel bearing area or when needed.

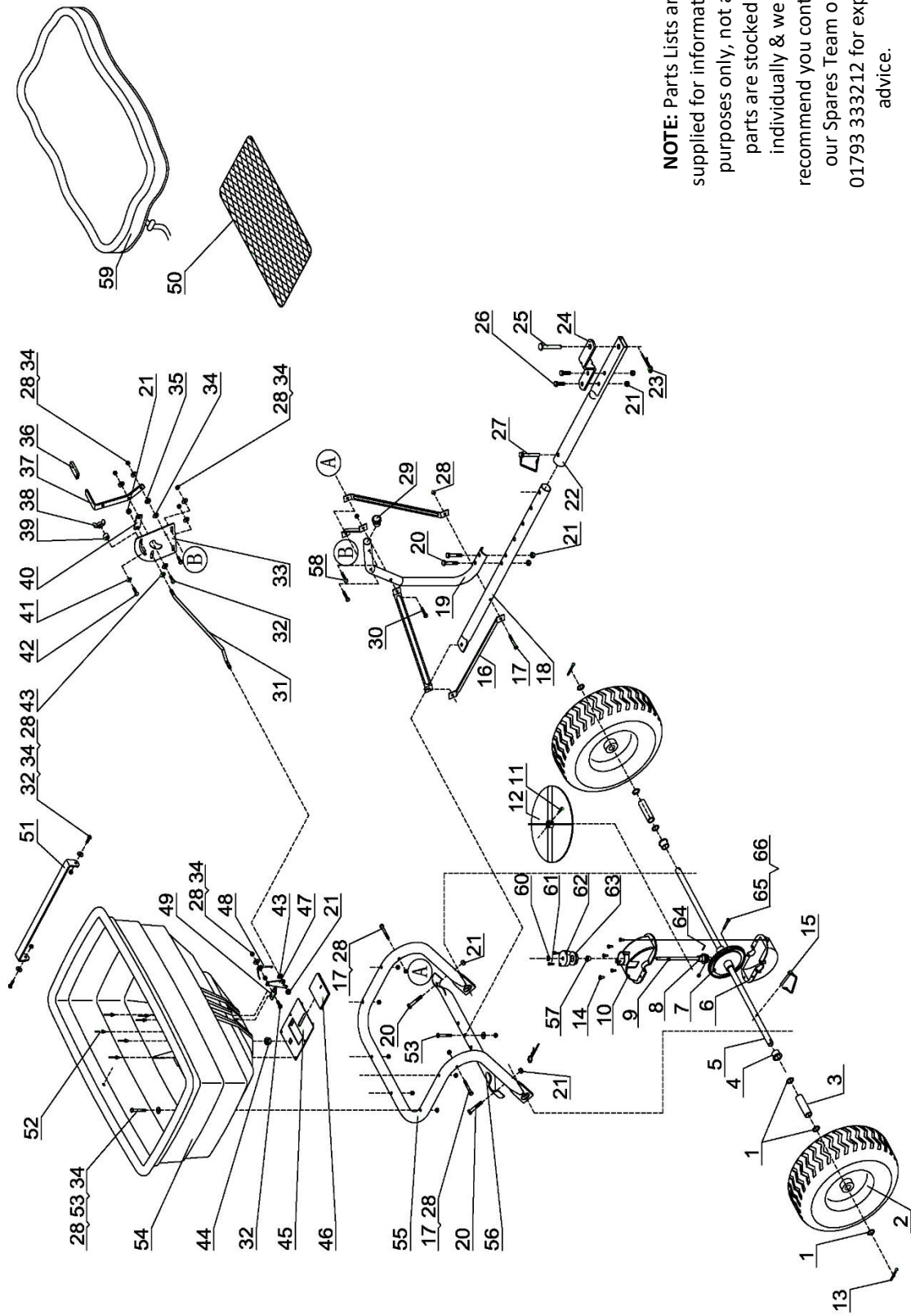
IMPORTANT:

If a part needs replacement, only use parts that meet the manufacturer's specifications. Replacement parts that do not meet specifications may result in a safety hazard or poor operation.

STORAGE

- Be sure to completely empty, clean and dry the spreader hopper before storage.
- Failure to properly clean the spreader & hopper may cause deterioration such as rust or mold.
- Lightly lubricate all moving parts to protect components and prevent rust.
- Store indoors or in a protected area during severe weather and winter months.

PARTS DIAGRAM – THTS175 (1938209001)



NOTE: Parts Lists are supplied for information purposes only, not all parts are stocked individually & we recommend you contact our Spares Team on 01793 333212 for expert advice.

PARTS LIST – THTS175 (1938209001)

Item No.	Handy Part Number	Description	QTY	Item No.	Handy Part Number	Description	QTY
1	TH251-930116000	Flat Washer Ø16	6	34	TH251-930206000	Big Flat Washer Ø6	16
2	TH251-N77080000	Pneumatic Tyre	2	35	TH251-C13000004	Nylon Washer	1
3	TH251-N77000006	Wheel Spacer	2	36	TH251-N51200014	Handle Grip	1
4	TH251-N77000007	Bushing	2	37	TH251-N76000012	Adjustable Handle	1
5	TH251-N77000008	Wheel Axle	1	38	TH251-N51000019	Wing Nut	1
6	TH251-N57040002	Gearbox Lower Cover	1	39	TH251-N51000016	Spacer	1
7	TH251-N57050001	Big Gear	1	40	TH251-N51200027	Connect Plate	1
8	TH251-N57051002	Pinion	1	41	TH251-931508000	Tooth Washer	1
9	TH251-N77000005	Pinion Shaft	1	42	TH251-911406025	Carriage Bolt M6x25	1
10	TH251-N57040001	Gearbox Upper Cover	1	43	TH251-930108000	Flat Washer Ø8	2
11	TH251-911004020	Screw M4x20	1	44	TH251-N51200009	Swivel Axle Bushing	2
12	TH251-N51200010	Impeller	1	45	TH251-N76010000	Fixed Adjustable Plate	1
13	TH251-940404040	Cotter Pin Ø4x40	2	46	TH251-N51200022	Active Adjustable Plate	1
14	TH251-911805015	Screw M5x15	6	47	TH251-N51200024	Fix Plate for Control Rod	1
15	TH251-T68030000	Drive Pin Ø6x45	1	48	TH251-N51200025	Torsion Spring	1
16	TH251-N51200004	Hitch Support	4	49	TH251-N51200023	Base for Torsion Spring	1
17	TH251-910106045	Hex Bolt M6x45	3	50	TH251-N77000003	Screen	1
18	TH251-N76000006	Hitch Tongue	1	51	TH251-N77000002	Support Rod	1
19	TH251-N76000007	Support Rod	1	52	TH251-950405013	Rivet	6
20	TH251-910106045	Hex Bolt M8x45	4	53	TH251-910106050	Hex Bolt M6x50	7
21	TH251-920608000	Nylon Lock Nut M8	8	54	TH251-N77000001	Hopper	1
22	TH251-N76000008	Hitch Bracket	1	55	TH251-N76000019	Hopper Frame	1
23	TH251-N51200026	R Pin	2	56	TH251-N76000018	Crossover Tube	1
24	TH251-N10000014	Hitch Plate	1	57	TH251-N57000019	Bushing	1
25	TH251-N77000004	Hitch Pin	1	58	TH251-910106040	Hex Bolt M6x40	2
26	TH251-910108030	Hex Bolt M8x30	2	59	TH251-N77200002	Rain Cover	1
27	TH251-T68020000	Drive Ø9x60	1	60	TH251-N57500014	Thin washer	1
28	TH251-920606000	Nylon Lock Nut M6	19	61	TH251-911804018	Screw M4x18	2
29	TH251-T68000003	End Cap	1	62	TH251-N57540002	Gear Box Top Cover	1
30	TH251-910106035	Hex Bolt M6x35	1	63	TH251-N57040006	Pinion Gland	1
31	TH251-N76000014	Control Rod	1	64	TH251-940203016FH	Elastic Pin	1
32	TH251-910106020	Hex Bolt M6x20	5	65	TH251-911005035	Screw M5x35	1
33	TH251-N57500006	Gauge Plate	1	66	TH251-920605000	Nylon Lock Nut M5	1

GJ HANDY & CO LTD USER WARRANTY POLICY

Users Statement of Warranty

Each new machine is warranted against defective material or assembly of material under normal usage. The warranty applies to the original purchaser and covers faulty parts and the labour involved in replacing and repairing those parts, which are of original manufacture.

Period of Warranty

Webb (excludes Electric Handheld, Dynamic, Heritage, Legacy), Webb Pro, Sanli Engine

- a) 2 years from the original date of sale to the first domestic user.
- b) 90 days from the original date of sale to the professional/commercial user.
- c) 90 days from the original date of sale when used for hire.
- d) A reduced warranty period of 90 days applies to those items which are subject to normal wear and tear (e.g. but not limited to wheels, tyres, cutter bars, cylinders, cutting blades, blade boss, belts, cables, nylon line & spool, collection bags, spark plugs).
- e) Engines are supplied with a separate warranty to the machine. The engine manufacturers warranty statement which will be supplied within the engine instruction manual. All enquiries and warranty repairs should be discussed with the engine manufacturer or approved warranty repair dealer.
- f) 90 days from the original date of purchase for Replacement Spare Parts (unless normal wear & tear component, which are covered for 30 days).
- g) All machines' must be serviced within the first 12 months from the original date of purchase to comply with the warranty, failure to do so will invalidate the 2nd year of the warranty.

Webb Electric Handheld, Webb Dynamic, Heritage & Legacy, Handy, Mowerland, Q-Garden

- a) 1 year from the original date of sale to the first domestic user.
- b) 90 days from the original date of sale to the professional/commercial user.
- c) 90 days from the original date of sale when used for hire.
- d) A reduced warranty period of 90 days applies to those items which are subject to normal wear and tear (e.g. but not limited to wheels, tyres, cutter bars, cylinders, cutting blades, blade boss, belts, cables, nylon line & spool, collection bags, spark plugs).
- e) Engines are supplied with a separate warranty to the machine. The engine manufacturers warranty statement which will be supplied within the engine instruction manual. All enquiries and warranty repairs should be discussed with the engine manufacturer or approved warranty repair dealer.
- f) 90 days from the original date of purchase for Replacement Spare Parts (unless normal wear & tear component, which are covered for 30 days).

All warranty repairs must be undertaken by an authorised service dealer. These dealers have been accredited by GJ Handy & Co Ltd and agree to only use genuine parts and follow our repair procedures.

Not covered by this warranty

- a) The warranty policy does not cover any depreciation or damages caused by ordinary wear, rusting or corrosion, lack of correct maintenance or operation, misuse, abuse, lack of transportation or accident.
- b) The warranty policy does not cover any costs necessary for the standard periodic maintenance services instructed by the operator's manual, or service parts replacement which would include oil, filters, tyres, belts, brake linings, fuses, blades, seals and other service parts unless it can be proven that the item has evidence of faulty manufacture.
- c) The warranty policy will not cover failure or damage caused as a result of parts or accessories being modified without the written approval of GJ Handy & Co Ltd.
- d) The warranty policy will not cover the unit if non-genuine parts have been fitted and as a result damage has occurred to the unit.
- e) The warranty policy is non-transferable and is only applicable to the original purchaser.

Disclaimer

- a) This warranty is only a remedy for defect of products. GJ Handy & Co Ltd will never warranty in terms of the merchantability or the fitness for a particular purpose.
- b) No person is authorised to make any warranties, representations or promises, expressed or implied, on behalf of GJ Handy & Co Ltd, or to modify the terms conditions or limitation of this warranty policy in any way.
- c) Neither GJ Handy & Co Ltd nor any company affiliated with GJ Handy & Co Ltd shall be liable in any event or manner whatsoever for incidental or consequential damages or injuries, including, but not limited to, loss of crops, loss of profit, out of pocket expenses or profits, rental of substitute equipment or other commercial losses.

General

- a) Most warrantable failures show up within the first few weeks of use. These failures are usually straightforward and warranty assessment is relatively easy.
- b) Failures relating to cutter decks and belts need careful investigation, as the cause may not always be straightforward. Look for damage to blades and pulleys especially when the cutter belt or blade boss have snapped or cracked as this could be due to impact damage.
- c) Customers should always refer to the operator/instruction manual when any disputed problem arises, you will find most areas covered within the manual.



EC DECLARATION OF CONFORMITY

We Handy Distribution Ltd - SN3 5HY (Importer) declare that the product:

Designation: 175lb (88 litres) Towed Spreader

Model(s): THTS175

Product Number: 1938209001

Type/Serial No: As per rating label on machine

Spread Width: 10-12'/3048mm-3658mm

Load Capacity: 175lb/88 litres

Complies with the following directives:

2006/42/EC – Machinery Directive

The conformity assessment procedure followed was in accordance with

EN ISO 12100:2010,

EN 349:1993+A1:2008,

EN 953:1997+A1:2009,

EN ISO 13857:2008

Notified Bodies:

ENTE CERTIFICAZIONE MACCHINE

Address(es):

Via Ca' Bella, 243 - Loc. Castello id Serravalle - 40053 Valsamoggia (BO) - ITALY

Authorised signatory & technical file holder

Date:

01/07/2019

Signature:

Name:

Mr. Simon Belcher

Position:

Chairman

Company:

Handy Distribution Ltd

Address:

Murdock Rd, Dorcan, Swindon, Wiltshire, SN3 5HY.

NOTES

**For spares or support of your handy product,
please contact us:**

Tel: 01793 333212

**Email: customerservice@handydistribution.co.uk
(Mon – Fri 8.00am to 5.30pm excl. Bank Holidays)**

To see our range of garden machinery & equipment visit:

www.thehandy.co.uk

Making gardening easier & affordable since 1938

Distributed by Handy Distribution, Murdock Road, Dorcan, Swindon, SN3 5HY