



INSTRUCTION MANUAL

2200W ELECTRIC SAW BENCH WITH GUARD

MODEL NO: THSBENCH-G -- PRODUCT NO: 1938188001

EN - ORIGINAL INSTRUCTIONS

ASSEMBLY REQUIRED – TWO PERSON

SAVE THESE INSTRUCTIONS

SPARES & SUPPORT: 01793 333212

FOR YOUR SAFETY

Please read & understand this manual, paying attention to the safety instructions, before use.

Incorrect use of the product could put the operator or machine in danger.

Whilst every effort has been made to ensure the accuracy of information contained in this manual, our policy of continuous improvement determines the right to make modifications without prior warning.

Images used are for illustration purposes only

Copyright Notice

Copyright © Handy Distribution

Permission is granted to reproduce this publication for personal & educational use only.

Commercial copying, redistribution, hiring or lending is prohibited.

No part of this publication may be stored in a retrieval system or transmitted in any other form or means without written permission from Handy Distribution.

In all cases this copyright notice must remain intact.

CONTENTS

SPECIFICATIONS

IMPORTANT INFORMATION

GENERAL SAFETY INSTRUCTIONS

SET UP & PREPARATION FOR OPERATION

ASSEMBLY

KNOW YOUR MACHINE

OPERATION

MAINTENANCE

STORAGE

WIRING DIAGRAM

TROUBLE SHOOTING

PARTS DIAGRAM & LIST

EC DECLARATION OF CONFORMITY

WARRANTY

ASSEMBLY IS REQUIRED – TWO PERSON

This product requires assembly before use. See the “Assembly” section for instructions.

Please check that all parts required for the assembly of this spreader are included. If for any reason you believe a part for the assembly is missing or damaged, please contact us.

If you require any assistance with regards to the contents or operation of your machine, please contact us:

TEL: 01793 333212

**EMAIL: customerservice@handydistribution.co.uk
(MON – FRI 8.00AM TO 5.30PM EXCL. BANK HOLIDAYS)**

SPECIAL WARNINGS & INSTRUCTIONS

- Carefully read through this entire operator’s manual before using your new saw bench. Take special care to heed the cautions and warnings.
- The cutting operation of the machine is designed to be activated by one person. While there is the possibility that additional operators could be working with the machine (e.g. for loading and unloading), only one operator should activate cutting operations;
- The machine shall not be used by children;
- Description of functional tests of the machine;

SPECIFICATIONS

The manufacturer reserves the right to change the product specification and livery according to continued product improvements.

Model Number	THSBENCH-G
Product Number	1938188001
Motor*	(230VAC 50Hz) 2200W, S2 15min*
Short Circuit Rating	1 kA
Protection Category	IP 54
Blade Size	∅ 405 × ∅ 30 mm
Number of Saw Teeth	32
Log Capacity Diameter (mm)	140
Log Capacity Length (mm)	Min 300 – 1000 Max
Blade Speed	2800 / min
Weight (kg)	N.W 36.3
Sound emission level (LpA)	96 db(A) k=4 db(A)
Sound pressure level (LpA)	101 db(A) k=4 db(A)
Sound power level (LwA)	115 db(A) k=4 db(A)
Vibration	<2.5 m/s ²

*S2 15 minutes, Short-time duty. After continuous operation of 15 minutes the drill stops until the device temperature deviates by less than 2 K (2°C) from the room temperature.

IMPORTANT INFORMATION

ELECTRICAL REQUIREMENTS

Connect the main leads to a standard 230V±10% (50Hz±1Hz) electrical supply which has protection devices of under-voltage, overvoltage, over-current as well as a residual current device (RCD) which maximum residual current rated at 0.03A.

EXTENSIONS CABLES/CORDS OR LEADS

Improper use of extension cords may cause inefficient operation of the log saw which can result in overheating. Be sure the extension cord is no longer than 10 metres and its section is no less than 2.5mm² to allow sufficient current flow to the motor. Avoid use of free and inadequately insulated connections. Connections must be made with protected material suitable for outdoor use.

WORKING CONDITIONS




















This saw bench is a domestic use model. It is designed for operating under ambient temperatures between +5°C and 40°C and for installation at altitudes no more than 1000m above M.S.L. The surrounding humidity should be less than 50% at 40°C. It can be stored or transported under ambient temperatures between -25°C and 55°C.

INSPECT YOUR LOG

Make sure there are no nails or foreign objects in logs to be split. The ends of the logs must be cut square. Branches must be cut off entirely so that the trunk is relatively smooth.

GENERAL SAFETY INSTRUCTIONS

It is important that you read and understand the owner's manual and labels affixed to the machine. Learn its application and limitations as well as the specific potential hazards. Retain these instructions for future reference. The operator is responsible for following the warnings & instructions in this manual and on the product.

	Read & understand operator's manual before using the machine. Failure to follow instructions could result in death or serious injury.		Wear protective gloves to protect your hands
	CAUTION! Wear ear-muffs. The impact of noise can cause damage to hearing. Wear safety goggles. Sparks generated during working or splinters, chips & dust emitted by the device can cause loss of sight.		CAUTION! Wear a breathing mask. Dust which is injurious to health can be generated when working on wood and other materials. Never use the device to work on any materials containing asbestos!
	Wear protective clothing		Wear safety protective footwear
	It is forbidden to remove or tamper with the protection devices and safety devices.	 	CAUTION! RISK OF INJURY! Failure to keep your hands away from the blade will result in serious personal injury.
	Do not use in the rain.		Disconnect the mains plug prior to the repair, cleaning, and maintenance of the machine!
 	Keep your work space tidy! Untidiness may result in accidents.		Keep all bystanders & animals at least 10 metres away from the machine during operation. If approached, stop the machine immediately.
	Safety alert symbol. Used to alert you to potential personal injury hazards. Obey all safety messages that follow this symbol to avoid possible injury.	 DANGER	Indicates an imminently hazardous situation which, if not avoided, will result in serious injury.
 WARNING	Indicates a potentially hazardous situation which, if not avoided, could result in serious injury	 CAUTION	Indicates a potentially hazardous situation which, if not avoided, may result in minor or moderate injury.
CAUTION	Used without the safety alert symbol indicates a potentially hazardous situation which, if not avoided, may result in property damage.		Recycle unwanted materials instead of disposing of them as waste. All tools, hoses and packaging should be resorted, taken to the local recycling centre and disposed of in an environmentally safe way.

UNDERSTAND YOUR SAW BENCH

Read and understand the owner's manual and labels affixed to the log saw. Learn its application and limitations as well as the specific potential hazards peculiar to it.

STAY ALERT

Do not operate the machine while under the influence of drugs, alcohol, or any medication that could affect your ability to use it properly. Do not use this machine when you are tired or distracted from the job at hand. Be aware of what you are doing at all times. Use common sense.

AVOID DANGEROUS CONDITIONS

Always operate your saw bench on dry, solid, level ground. Never operate your saw bench on slippery, wet, muddy, or icy surfaces. The location you choose should be free from any tall grass, brush, or other interferences. There should be plenty of room for handling, and help the operator stay alert. Keep your work area clean and well lighted. Cluttered areas invite injuries. To avoid tripping, do not leave tools, logs, or other components laying around the work area. Do not use the saw bench in wet or damp areas or expose it to rain. Do not use it in areas where fumes from paint, solvents or flammable liquids pose a potential hazard.

INSPECT YOUR MACHINE

Check your log saw before turning it on. Keep guards in place and in working order. Use correctly sharpened saw blades. Make sure only saw blades made in conformity to EN847-1:2005 shall be used on the machine. Form a habit of checking to see that keys and adjusting wrenches are removed from tool area before turning it on. Replace damaged, missing or failed parts before using it. Make sure all nuts, bolts, screws, etc. are securely tightened. Never operate your log saw when it is in need of repair or is in poor mechanical condition.

DRESS PROPERLY

Do not wear loose clothing, gloves, neckties or jewellery (rings, wrist watches). They can be caught in moving parts. Protective electrically non-conductive gloves and non-skid footwear are recommended when working. Wear protective hair covering to contain long hair, preventing it from getting caught in machinery.

PROTECT EYES & FACE

Any saw bench may throw foreign objects into the eyes. This can cause permanent eye damage. Always wear safety goggles. Every day eyeglasses have only impact resistant lenses. They are not safety glasses. Also use face or dust mask if cutting operation is dusty.

EXTENSIONS CABLES/CORDS OR LEADS

Improper use of extension cords may cause inefficient operation of the log saw which can result in overheating. Be sure the extension cord is no longer than 10 metres and its section is no less than 2.5mm² to allow sufficient current flow to the motor. Avoid use of free and inadequately insulated connections. Connections must be made with protected material suitable for outdoor use.

AVOID DIRECT AND INDIRECT ELECTRICAL SHOCK

Check that the electric circuit is adequately protected and that it corresponds with the power, voltage and frequency of the motor. Check that there is a ground connection, and a regulation differential switch upstream. Ground the log saw. Prevent body contact with grounded surfaces: pipes, radiators, ranges, and refrigerator enclosures. Never open the switch / plug box. Should this be necessary, contact a qualified electrician. Make sure your fingers do not touch the plug's metal prongs when plugging or unplugging the saw bench.

KEEP BYSTANDERS AND CHILDREN AWAY

Allow only one person to load and operate the log saw. Always keep bystanders, including visitors, children and pets away from the work area, especially when the saw bench is under operations. Only the operator should stand near the machine and only within the safe operating area prescribed in this manual. Never use another people to help you with freeing jammed log. No one under the age of 16 should be allowed to operate the saw bench. Any individual under the age of 18 should have the necessary training, skills to perform the functions properly and safely and should always be under the supervision of adult.

INSPECT YOUR LOG

Never attempt to cut logs containing nails, wire or debris. Branches must be cut of flush with the trunk.

DO NOT OVERREACH

Keep proper footing and balance at all times. Never stand on the saw bench. Serious injury could occur if the tool is tipped or if the cutting tools is unintentionally contacted. Do not store anything above or near the saw bench where anyone might stand on the tool to reach them

LIFTING

Due to the weight of the saw bench, we recommend it is lifted by a minimum of two people.

AVOID INJURY FROM UNEXPECTED ACCIDENT

Do not attempt to load or unload logs until the saw bench has stopped. To refrain from removing any off-cut or other part of the workpiece from the cutting area whilst the machine is running except by using a push stick. Keep hands out of the way of all moving parts. Never use a damaged saw blade or if has been dropped.

Do not reach around the saw blade with either hand while the cutter is running. Do not stand or have any part of your body in line with the path of the sawblade. Avoid awkward cutting operations and hand positions here a sudden slip could cause your hand to move into the saw blade. Never plie logs to be split in a manner that will cause you to reach across the saw bench. Only use your hands to operate the control handle. Never use your foot, knee, or any other extension device. Never attempt to free a stalled saw blade without first turning the log saw off.

DO NOT FORCE TOOL

It will do a better and safer job at its design rate. Don't use saw bench for a purpose for which it was not intended. Do not, under any circumstances, alter your log saw. This equipment was designed and engineered to be used in accordance with the operating instructions. Altering the equipment or using the equipment in such a way as to circumvent its design capabilities and capacities, could result in serious or fatal injury and will void the warranty. Never try to cut logs larger than those indicated in the specifications table. This could be dangerous and may damage the machine.

NEVER LEAVE MACHINE RUNNING UNATTENDED

Do not leave the machine unattended, until it has come to a complete stop and the power removed from the electrical source.

DISCONNECT POWER

Unplug when not in use, before making adjustments, changing parts, cleaning, or working on the saw bench. All servicing and repairs are recommended to be undertaken by an approved service dealer.

MAINTAIN YOUR MACHINE WITH CARE

Always clean the unit after each use. Keep the saw bench clean for best and safest performance. Follow instructions for lubricating. Control handles and power switches must be kept clean, dry and free from oil and grease at all times. The use of non-original manufacturer parts or modifications may invalidate your warranty.

STORE IDLE EQUIPMENT

When not in use, Lock the area where machine stored. Store the saw bench away from children and others not qualified to use it. the machine should be stored in a dry location, away from direct sunlight. Keep the machine away from children and others not qualified to use it.

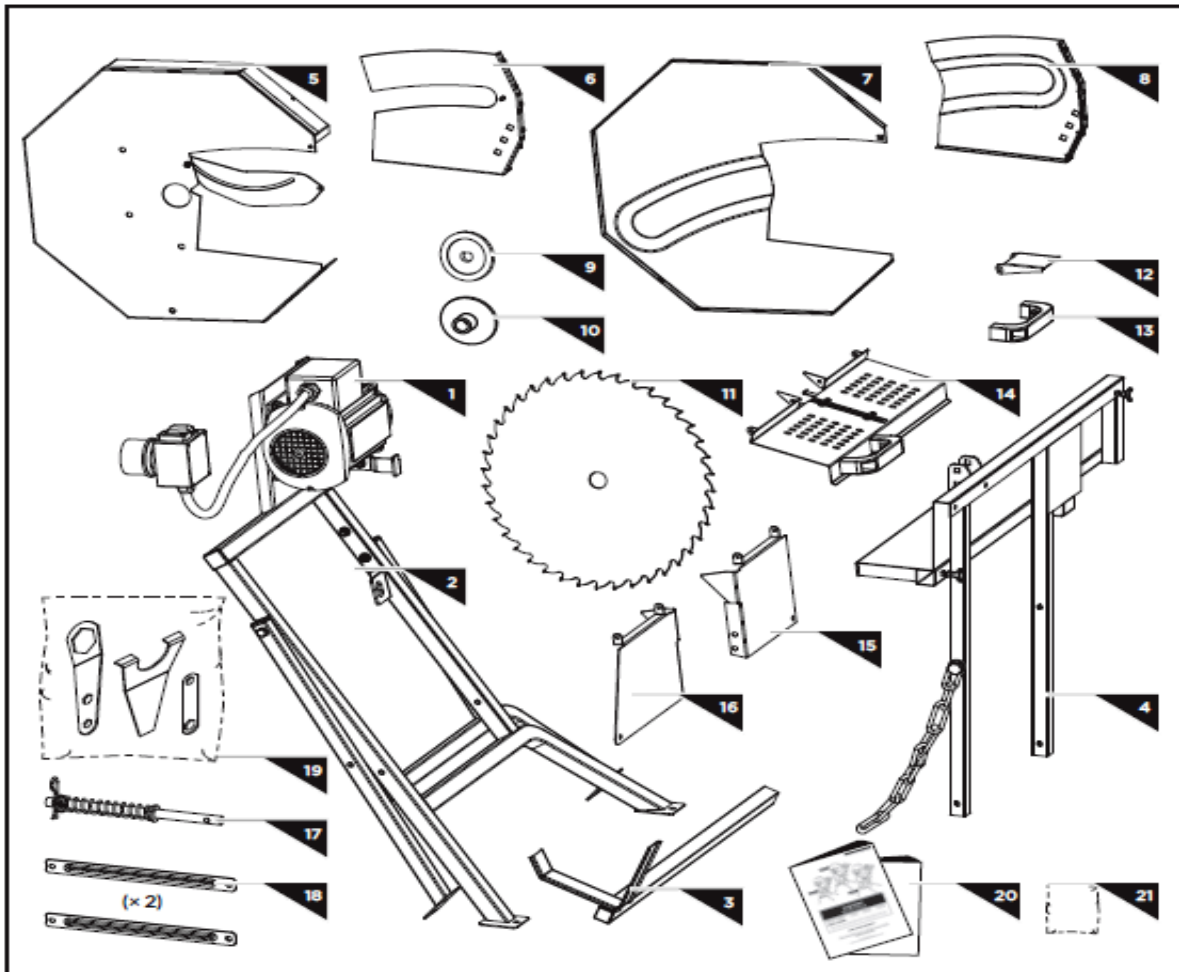


This symbol on the product or on its packaging indicates that this product may not be treated as household waste. Instead it shall be handed over to the applicable collection point for the recycling of electrical and electronic equipment.

For more detailed information about recycling of this product, please contact your local council office, your household waste disposal service or shop where you purchased the product.

SET UP & PREPARATION FOR OPERATION

The saw bench comes partially assembled. After all the parts have been removed from the carton, you should have the below components. If you believe you are missing any components, please contact us:



1. Motor
2. Base Frame
3. Log Carriage Extension
4. Pivoting Log Carriage
5. Inner Saw Blade Cover
6. Saw Blade Guard 2
7. Outer Saw Blade Cover
8. Saw Blade Guard 1
9. Front Clamping Flange
10. Rear Saw Blade Flange
11. Saw Blade
12. Limit Plate
13. Handle
14. Top Guard
15. Back Plate 1
16. Back Plate 2
17. Guide Pipe with Return Spring
18. Cross Brace (x2)
19. Wrenches
20. Operators Manual
21. Hardware Bag including: →

	M8 x 20	x 6	A
	M8 x 12	x 2	
	M8 x 25	x 2	B
	M5 x 20	x 1	
	M4 x 58	x 2	C
	M8 x 55	x 1	D
	M8 x 40	x 2	
	M8 x 70	x 2	E
	M8 x 20	x 3	
	M8 x 45	x 1	F
	M20 x 1.5	x 1	G
	M5 x 10	x 4	H
	M8 x 50	x 1	I
	M5	x 1	
	M5 x 10	x 2	J
	M5 x 10	x 4	K

ASSEMBLY

This log saw was partially assembled at the factory. To assemble your machine follow the below instructions.

SAW BLADE GUARDS

Fig. A, illustration 1.

Place back plate 1 against outside of the connecting part at the log carriage and align its two holes with the upper two holes of the connecting part.

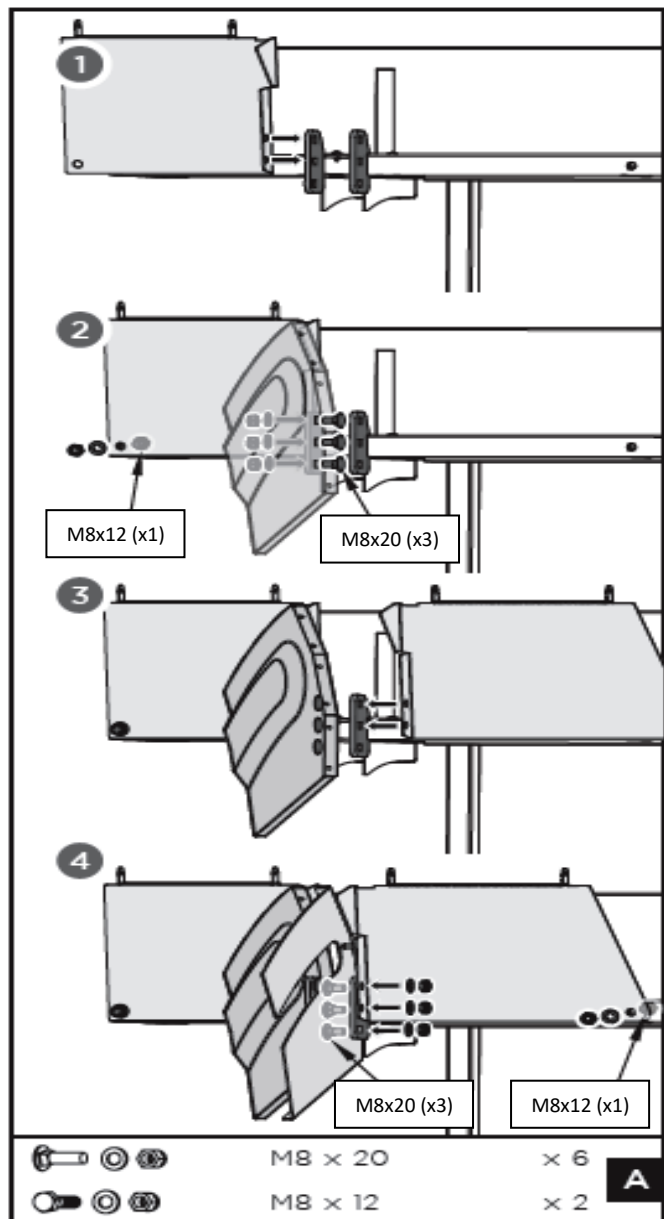
Fig. A, illustration 2

Fix back plate 1 to the table with one M8×12 bolt, flat washer and nut.

Fig. A, illustration 3 & 4.

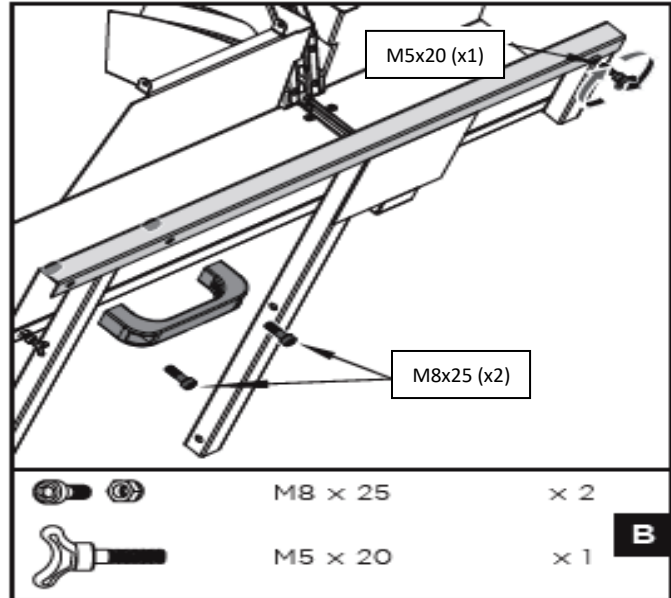
Put the saw blade guard 1 against inner side of the same connecting part, align the holes and bolt the saw blade guard 1, connecting part and back plate 1 together with three M8×20 bolts, washers and nuts.

Repeat the same assembly steps on the other side for back plate 2 and saw blade guard 2.



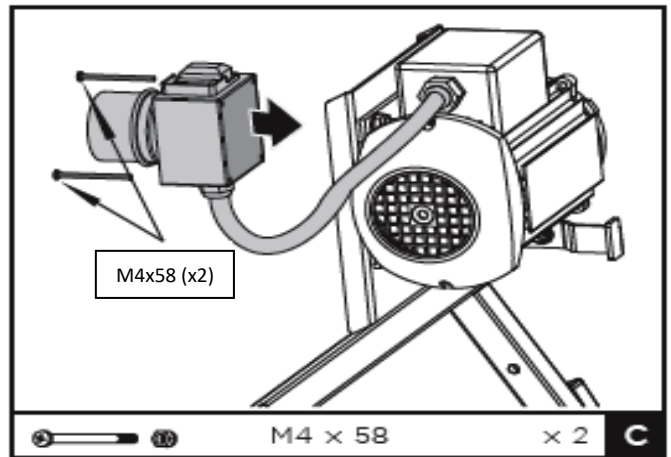
HANDLE

Attach the handle to the back of the log carriage. Secure it with two M8×25 bolts and lock nuts (Fig. B). Screw the wing bolt M5×20 into the hole at the upper right corner.



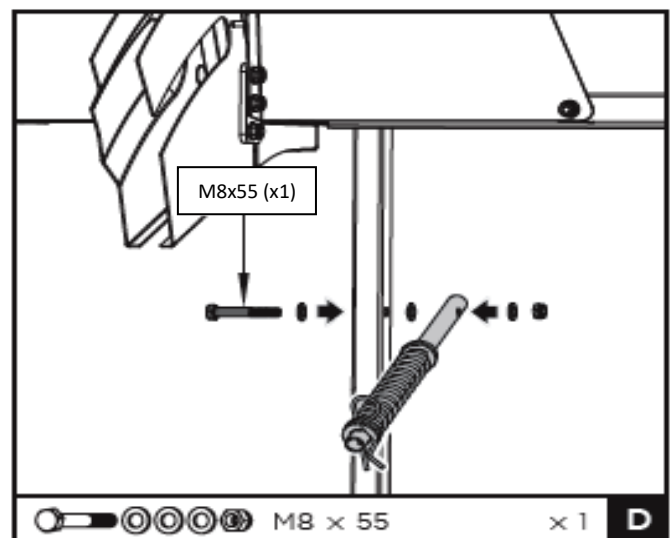
ON/OFF SWITCH

Fix the switch to the motor plate with M4×58 bolts and nuts (Fig. C).



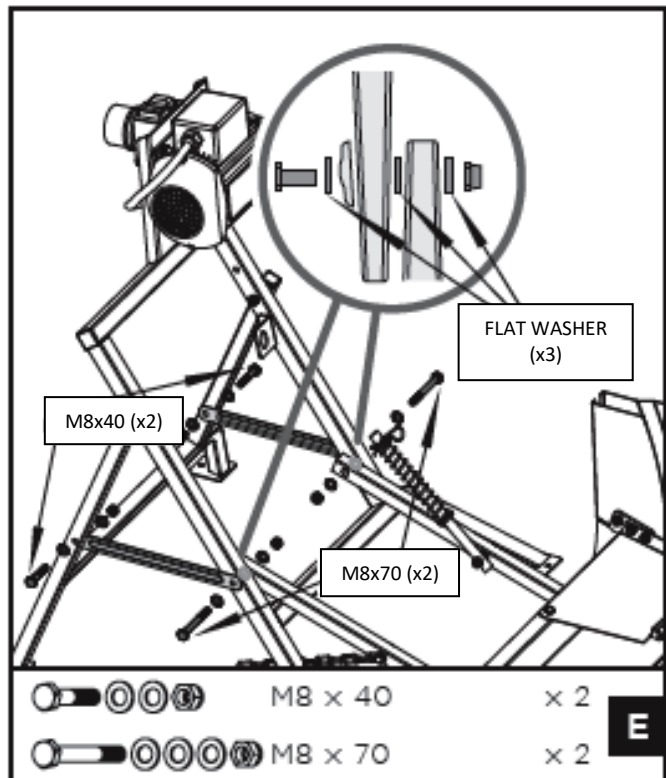
RETURN SPRING

Fix one end of the guide pipe with return spring on the left leg with M8×55 bolts, washers and lock nut (Fig. D).



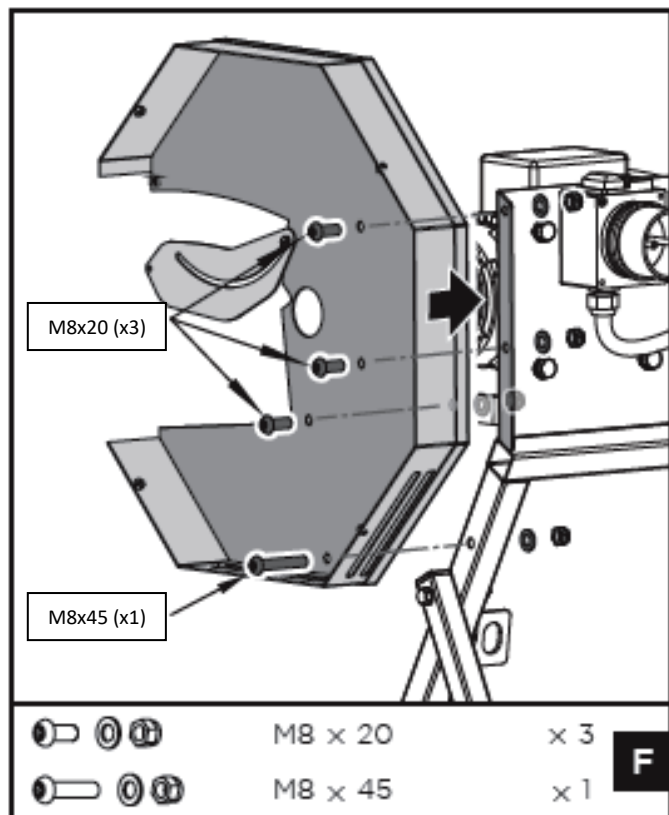
CONNECTING PIVOTING LOG CARRIAGE AND BASE FRAME

Lay the pivoting log carriage on the ground with legs inside the base frame, and put one end of the cross brace outside (Fig. E). Fasten them together with M8×40 bolts, washers and lock nuts on both sides. Fix the other end of the cross brace from the inner side of the base frame with M8×70 bolts, washers and lock nuts on both sides.



INNER SAW BLADE COVER

Slide the shaft through the centre hole of the inner saw blade cover and align its other holes with those on the motor plate (Fig. F). Secure it with three M8×20 bolts, washers and lock nuts on the upper side and one M8×45 bolt, washer and lock nut on the lower.



SAW BLADE

Fig. G, illustration 1

Slide the rear saw blade flange onto the motor shaft. Place the saw blade together with the front clamping flange onto the rear flange and secure it with nut M20x1.5.



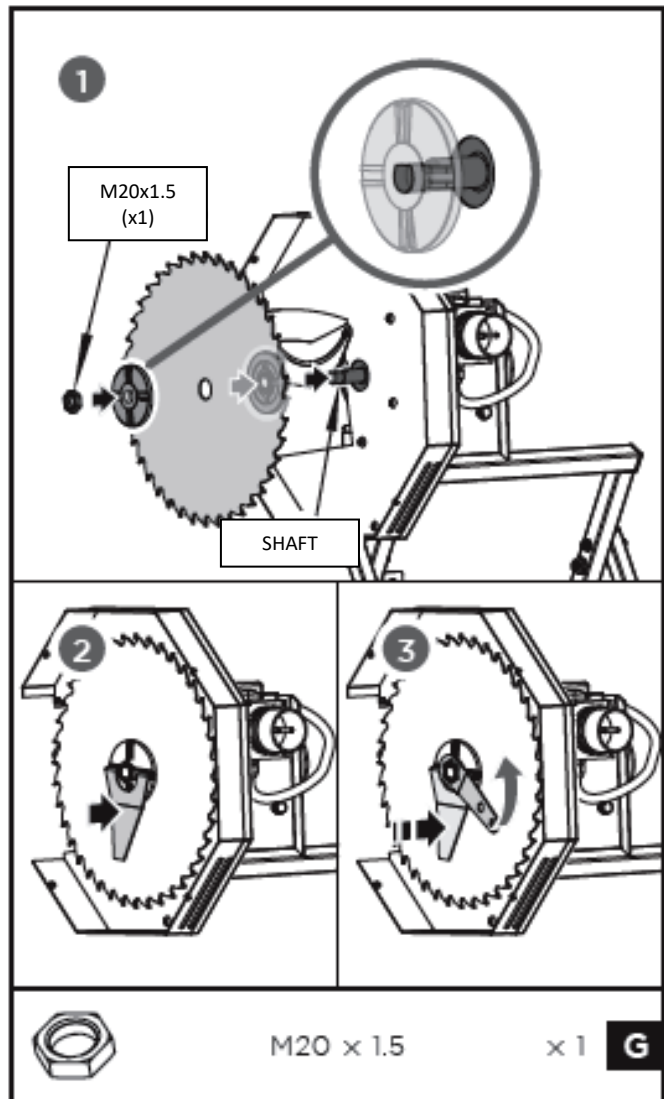
ATTENTION

The arrow on the saw blade has to point in the direction of the operating side!

Fig. G, illustration 2 & 3.

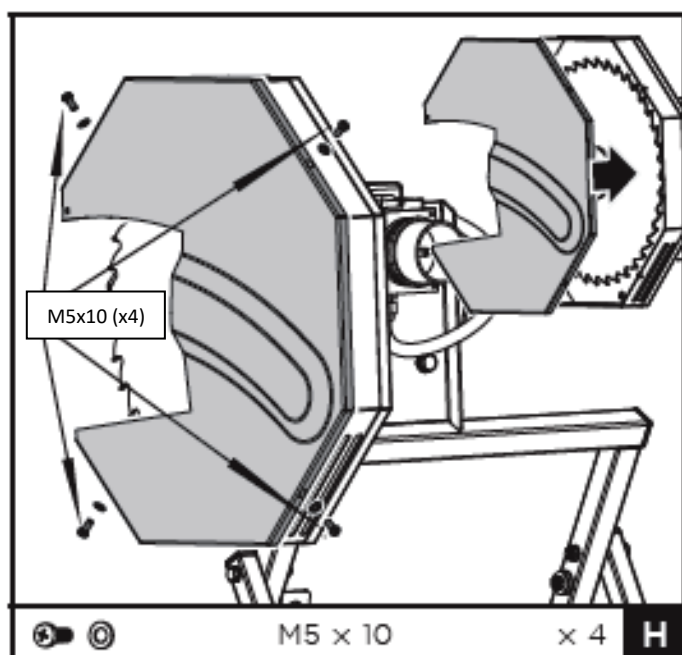
Tighten the nut with the saw blade wrench by holding the front clamping flange with the face wrench in order to stop back.

Keep all wrenches provided in a safe place for later use.



OUTER SAW BLADE COVER

Tighten the outer saw blade cover to the inner cover with four M5x10 cross head screws and flat washers (Fig. H).



FIXING RETURN SPRING AND CHAIN

Fig. 1, step 1.

Take the cotter pin and washer from the guiding pipe with spring.

Fig. 1, step 2.

Push the log carriage to the base frame until the open end of the guiding pipe is inserted into the angle part at the base frame.

Fig. 1, step 3

Secure the pipe with the washer and cotter pin.

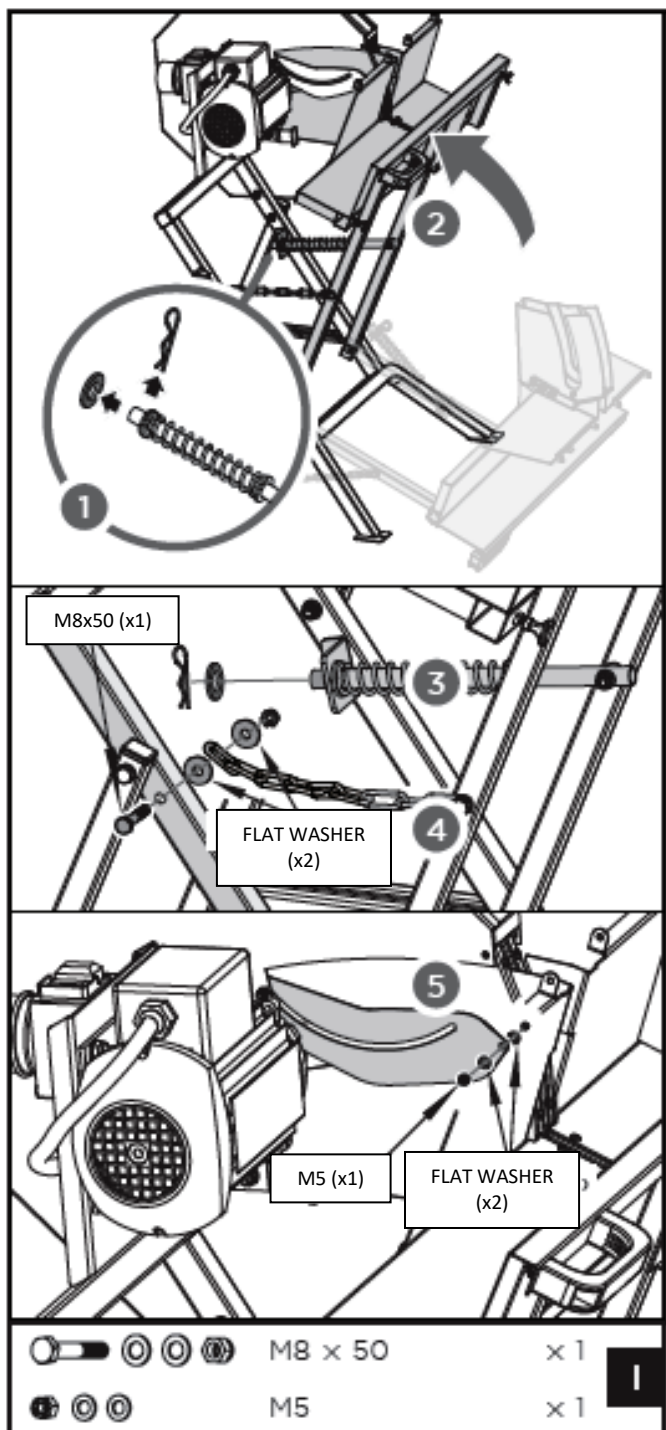
Fig. 1, step 4.

Fix the open end of the chain to the base frame at the left side with bolt M8×50, two washers and a nut.

GUARD PLATE OF INNER SAW BLADE COVER

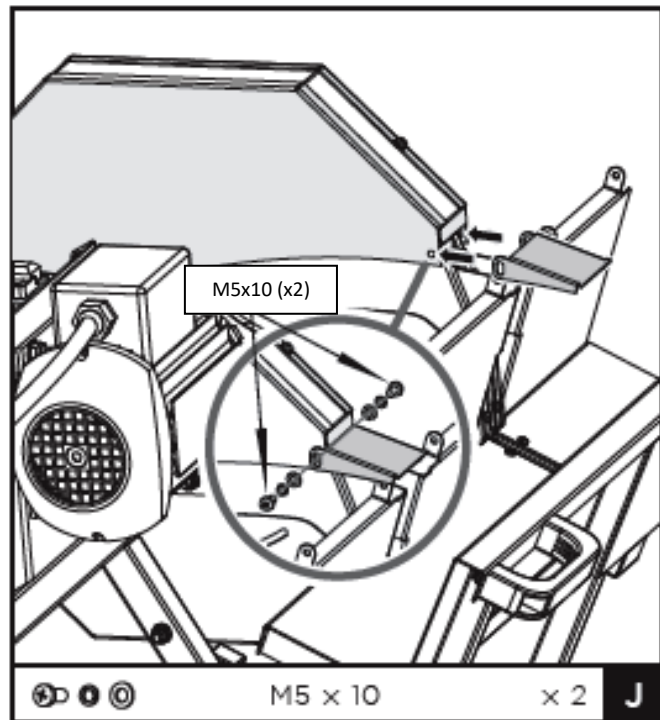
Fig. 1, step 5

Install the guard plate of the inner saw blade cover on the saw blade guard with a M5 nut and two flat washers.



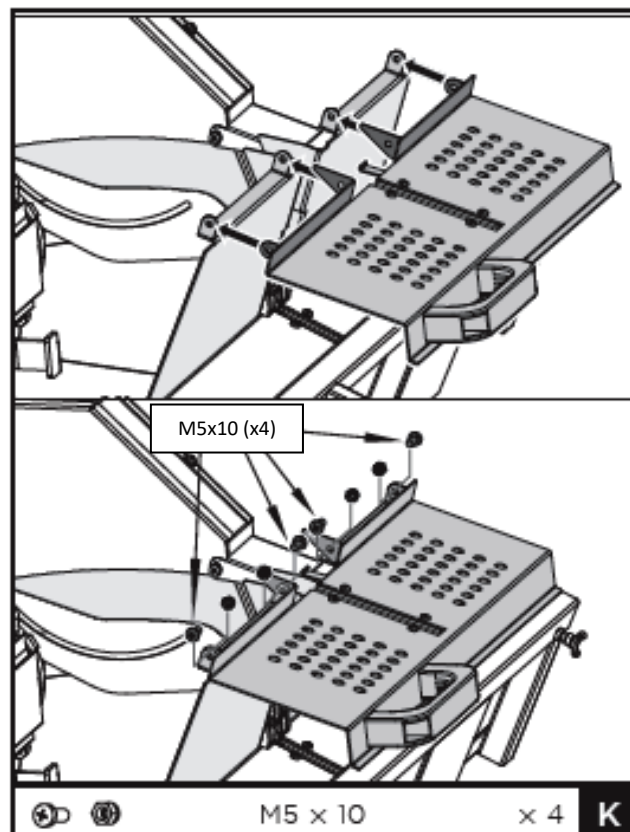
LIMIT PLATE

Mount the limit plate and fasten with two M5x10 screws and washers (Fig. J).



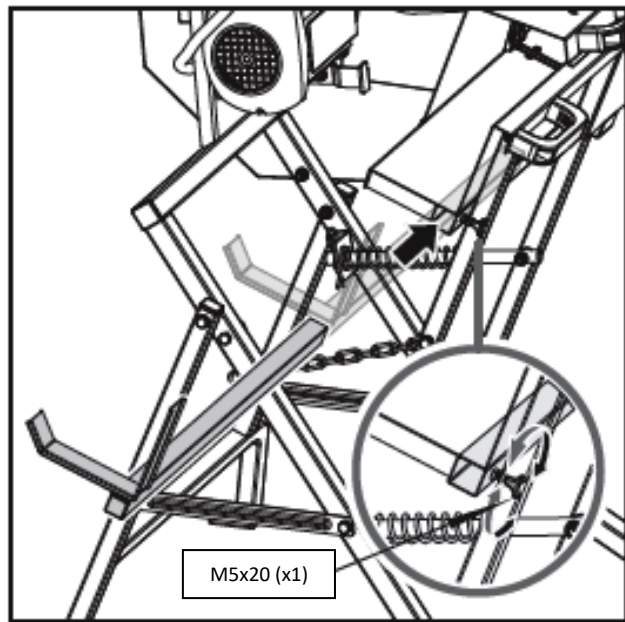
TOP GUARD

Mount the top guard with four M5x10 bolts and lock nuts (Fig. K).



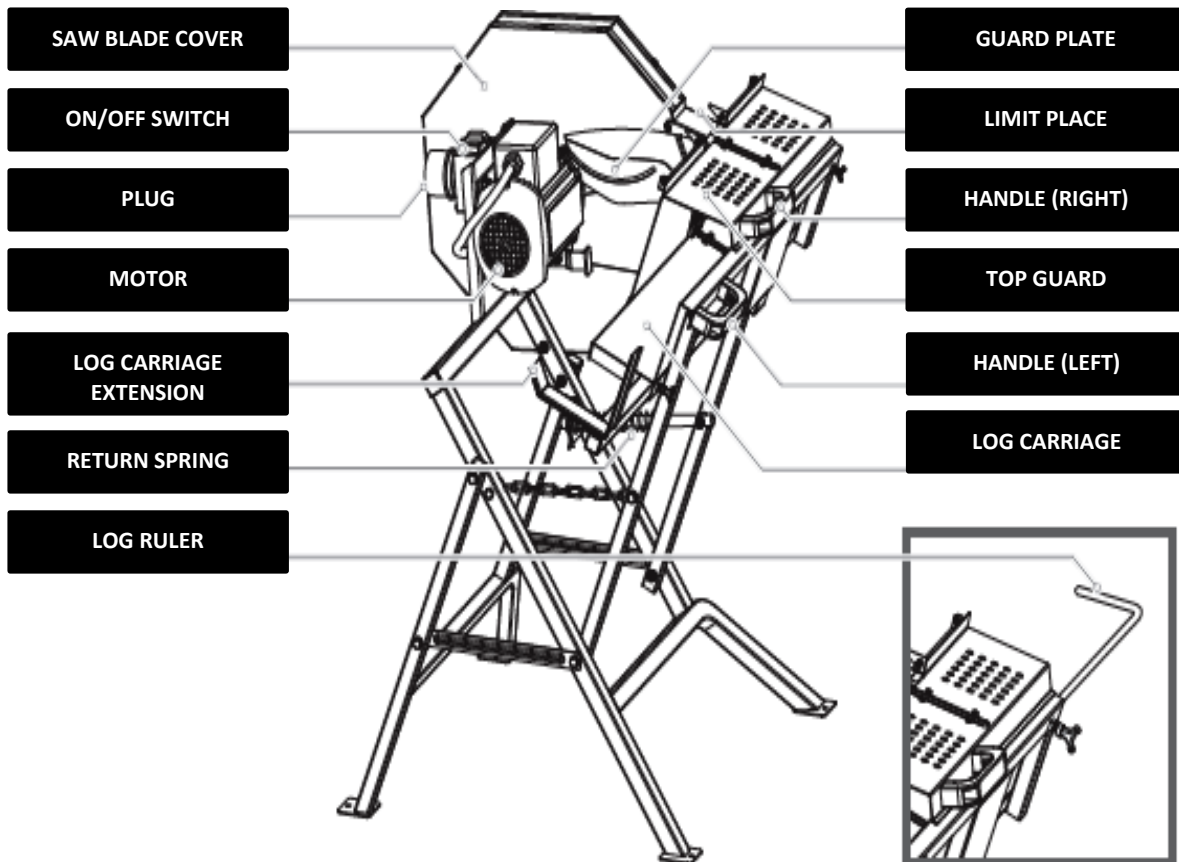
LOG CARRIAGE EXTENSION

Loosen the wing bolt M5×20 on the back side of the log carriage until the log carriage extension can be inserted into the opening. Slide the log carriage extension into the channel and align it correctly. Then tighten it with the wing bolt.



KNOW YOUR MACHINE

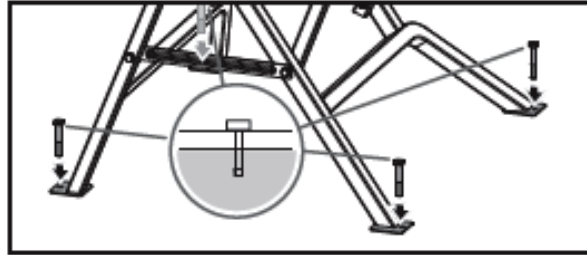
Make yourself aware of the components and operational levers of the machine, prior to attempting any work.



OPERATION

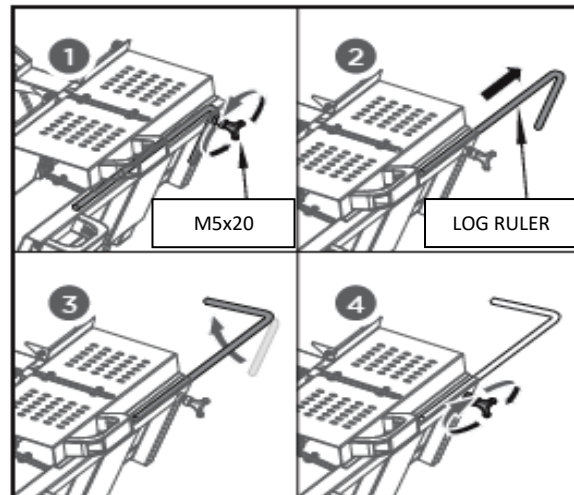
STAKE ON LEVEL GROUND

To secure your saw bench, use four bolts or stakes on level ground. Due to varying ground surfaces, these are not included. Choose the right type of bolt or stake for your surface type.



SET THE LOG RULER

Loosen the wing bolt M5×20 to allow the log ruler to be pulled out freely. Set the desired length on the scale. Turn it clockwise as shown in illustration 3 and secure it by tightening the wing bolt.



POWER SUPPLY AND OPERATION

Put the plug in the socket and turn on the motor switch. Once motor switch is turned on, the cutting blade starts rotation. Open the top guard, place the log to the cutting position on the log carriage and close the guard. Grip the handle at the left side of log carriage and push it towards the saw blade cover. The movable saw blade guard will open and show the saw blade. Keep pushing with even strength until the log on the log carriage is cut. Stop pushing and log carriage will retract to its original position. Move the rest of log to the cutting position and continue next cycle until the work is accomplished. To stop the machine, turn the motor switch off until the cutting blade gradually comes to a complete standstill. Put the plug out of the socket and clean the machine with cloth.

PREVENTIVE MAINTENANCE

Inspect the general condition of the log saw. Check for loose screws, misalignment or binding of moving parts, cracked or broken parts, and any other condition that may affect its safe operation. Remove all debris from the saw bench with a soft brush, vacuum or compressed air. Make maintenance a regular part of daily operation.

- Check nuts, bolts, and fittings – make sure all are tight and secure.
- Cutting blade conditions – sharpen or replace a dull or damaged blade.

FREE BLOCKED LOG

If a blockage is likely to occur. Switch off the device immediately.

- Wait until the saw comes to a stop.
- Pull out power plug.
- Remove the blocked log from the machine carefully.

SHARPENING THE SAW BLADE

The saw blade can be sharpened. This saw-blade can be sharpened several times without removing it from the machine. Use a fine-cut square-blade file of 8-12" for sharpening. During manual sharpening, only file the front rake of the tooth over a distance of about 5-7mm.

Always keep the original shape of the tooth. Do not make sharp notches at the root of the tooth with the file. Always clean the blade-clamps carefully. Check the blade carefully to ensure you are never sawing with a cracked blade.

MAINTENANCE



WARNING

Prior to any adjustment, maintenance or service work disconnect the mains power plug!

GENERAL MAINTENANCE MEASURES

Keep all safety devices, air vents and the motor housing free of dirt and dust as far as possible. Wipe the equipment with a clean cloth or blow it with compressed air at low pressure.

We recommend that you clean the device immediately each time you have finished using it.

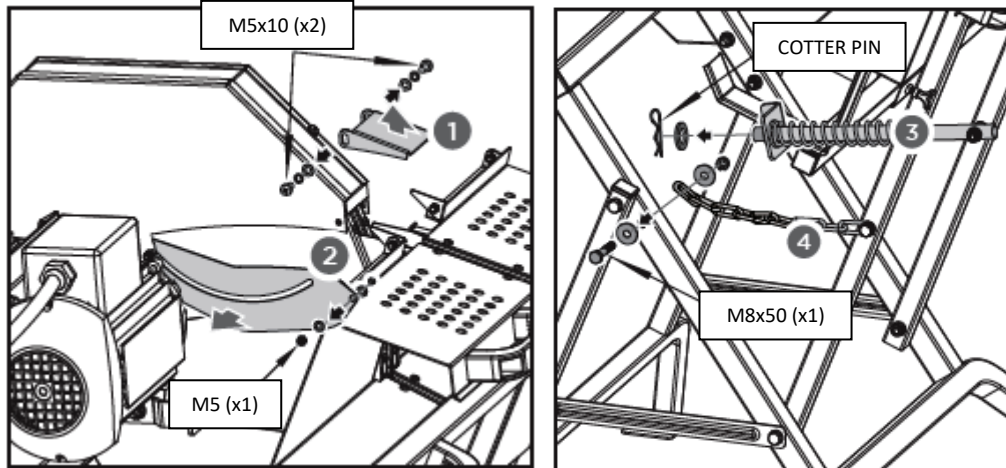
Clean the equipment regularly with a damp cloth and some soft soap. Do not use cleaning agents or solvents; these could attack the plastic parts of the equipment.

Ensure that no water can seep into the device. The ingress of water into an electric tool increases the risk of an electric shock.

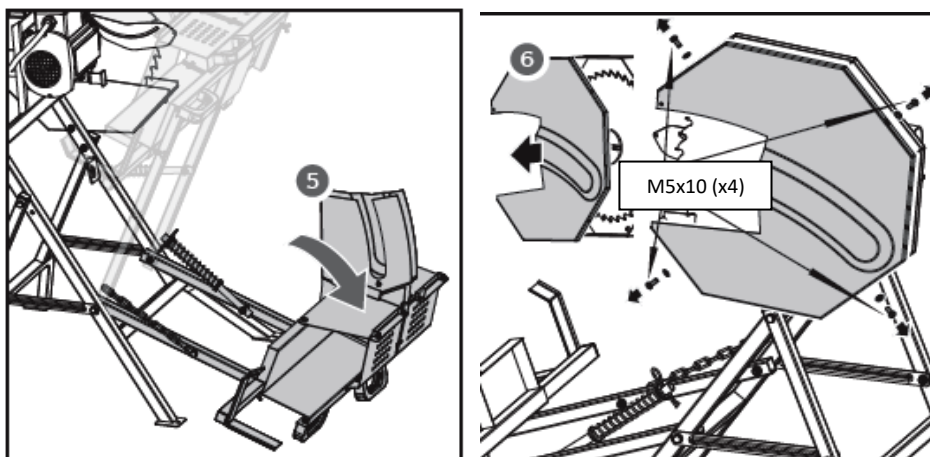
In order to extend the service life of the tool, oil the rotary parts once monthly. Do not oil the motor.

SAW BLADE CHANGE

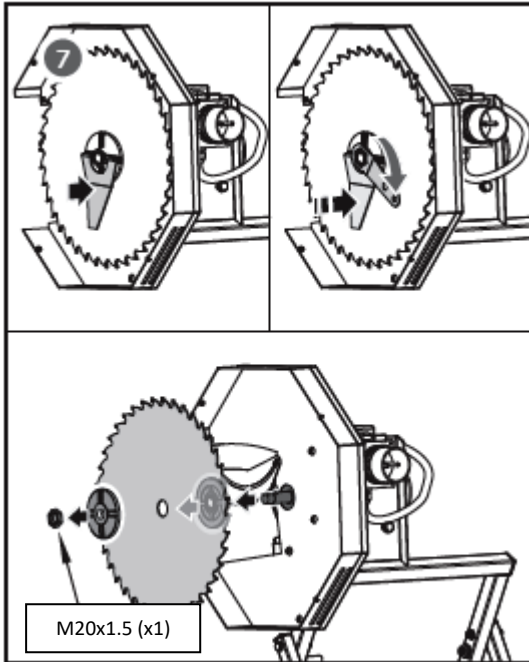
1. Disassemble the limit plate by loosening the M5×10 screws, spring washers and flat washers.
2. Remove the M5 nut and flat washers from the guard plate.
3. Pull the cotter pin and washer from the return guiding pipe.
4. Remove the M8×50 bolt, washers and nut fixing the chain.



5. Slowly lower the log carriage towards the ground.
6. Remove the four M5×10 screws & washers from the saw blade guard and also the outer saw blade cover.



7. Disassemble the nut M20x1.5 and the front clamping flange. Take down the old saw blade.

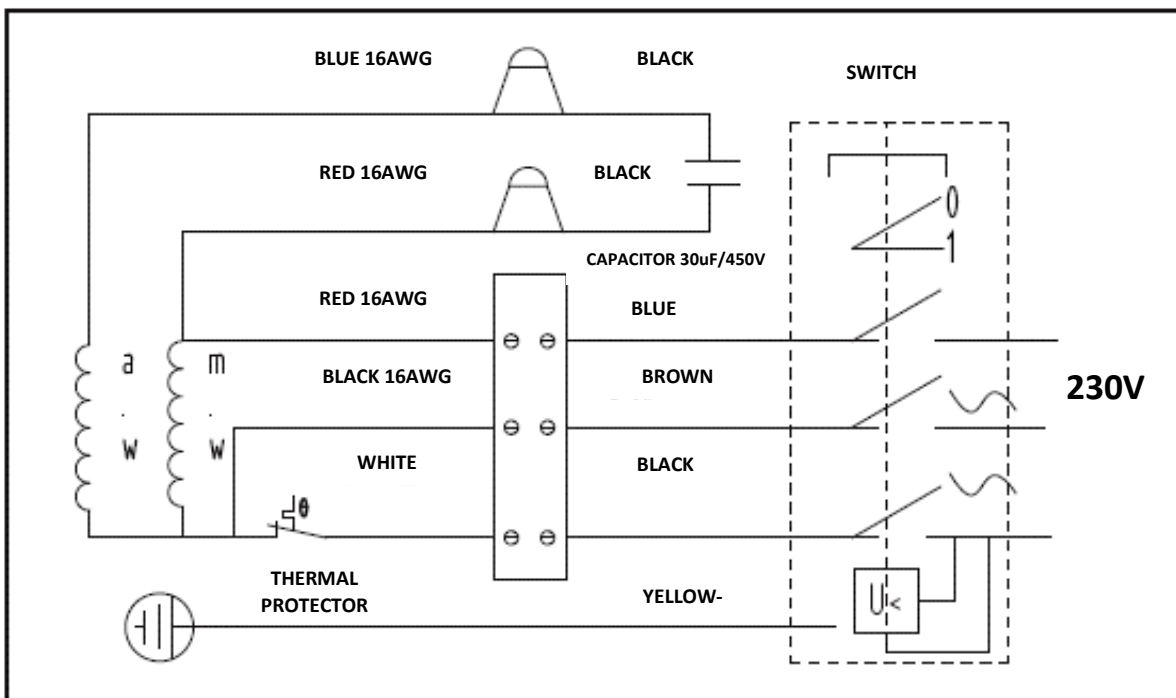


STORAGE

Store unused equipment in a dry, locked place out of the reach of children. Before a longer period of storage carry out the following to extend the saw service life and ensure an easy operating.

- Thoroughly clean the device.
- Treat all movable parts with an environmentally friendly oil.

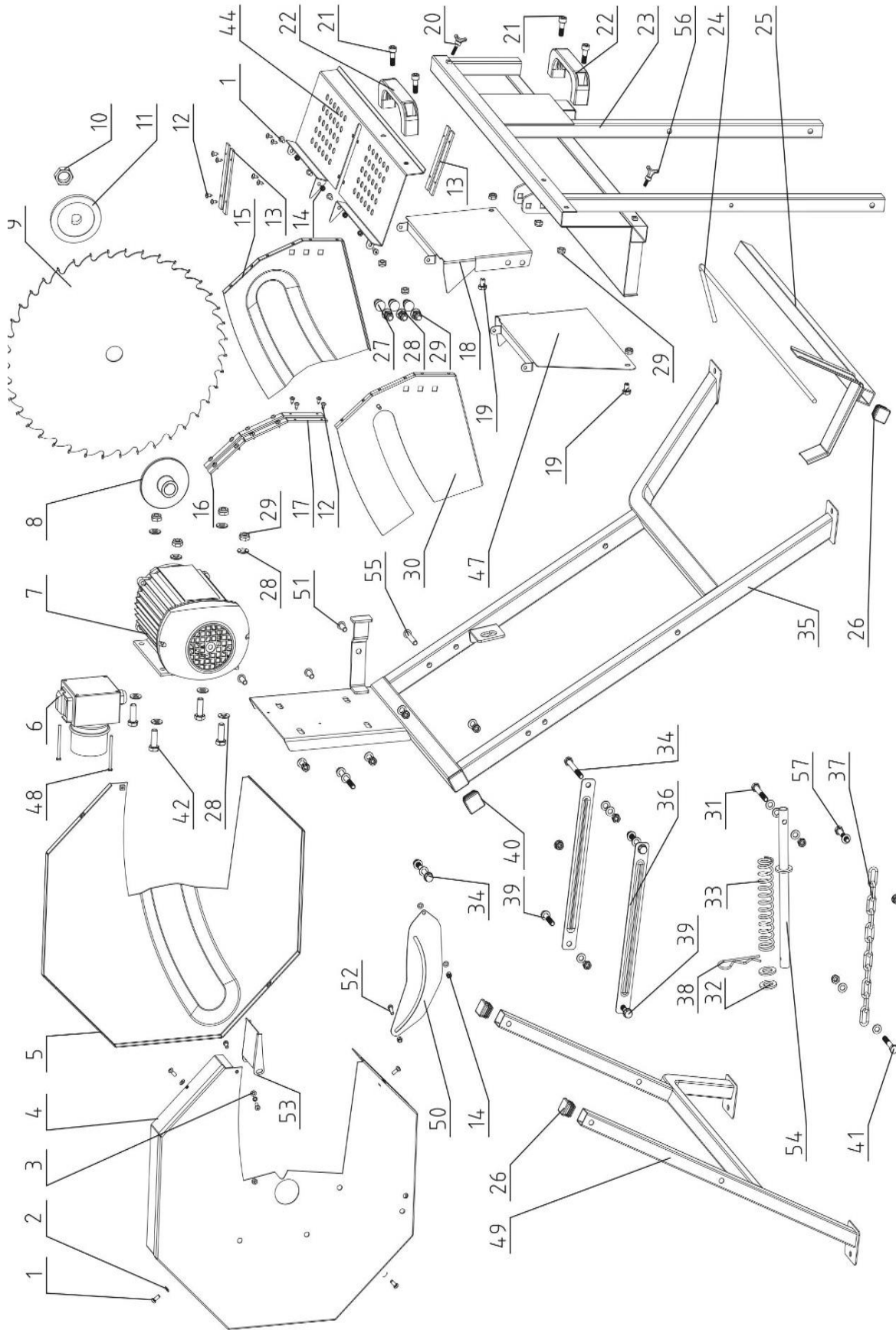
WIRING DIAGRAM



TROUBLE SHOOTING

PROBLEM	PROBABLE CAUSE	REMEDY SUGGESTED
Saw blade gets loose after turning off the motor	Fastening nut tightened insufficiently	Tighten fastening nut right-hand thread.
Motor does not start	<ol style="list-style-type: none"> 1. Failure mains fuse 2. Extension cable defect 3. Connections of the motor or switch defect 4. Motor or connections defect 	<ol style="list-style-type: none"> 1. Check mains fuse 2. Replace extension cable 3. Have it checked by an electrician 4. Have it checked by an electrician
Wrong direction of motor rotation	Capacitor defect	Have it checked by an electrician
Motor unable to run the fuse is tripped	<ol style="list-style-type: none"> 1. Cross section of the extension cable insufficient 2. Overload by dull saw blade 	<ol style="list-style-type: none"> 1. See "WIRING DIAGRAM" in the operating manual 2. Exchange saw blade
Burns on the cutting surface	<ol style="list-style-type: none"> 1. Dull saw blade 2. Wrong saw blade 	<ol style="list-style-type: none"> 1. Insert a sharpened saw blade 2. Exchange saw blade

PARTS DIAGRAM – THSBENCH-G (1938188001)



PARTS LIST – THSBENCH-G (1938188001)

Item No	Part No	Description	Qty	Item No	Part No	Description	Qty
1	TH247-1	Screw M5x12	10	28	TH247-28	Washer 8	43
2	TH247-2	Washer 5	6	29	TH247-29	Locknut M8	28
3	TH247-3	Flat Washer 5	8	30	TH247-30	Saw Blade Guard 2	1
4	TH247-4	Inner Saw Blade Cover	1	31	TH247-31	Bolt M8x55	1
5	TH247-5	Outer Saw Blade Cover	1	32	TH247-32	Flat Washer 16	2
6	TH247-6	Switch	1	33	TH247-33	Return Spring	1
7	TH247-7	Motor	1	34	TH247-34	Bolt M8x70	4
8	TH247-8	Rear Saw Blade Flange	1	35	TH247-35	Base Frame 2	1
9	TH247-9	Saw Blade	1	36	TH247-36	Cross Brace	2
10	TH247-10	Nut M20x1.5	1	37	TH247-37	Locking Chain	1
11	TH247-11	Flat Clamping Flange	1	38	TH247-38	Cotter Pin 3	1
12	TH247-12	Screw ST4.2x9.5	20	39	TH247-39	Bolt M8x40	2
13	TH247-13	Plastic Bar 3	4	40	TH247-40	Plug 2	1
14	TH247-14	Locknut M5	4	41	TH247-41	Bolt M8x50	1
15	TH247-15	Saw Blade Guard 1	1	42	TH247-42	Bolt M8x30	4
16	TH247-16	Plastic Bar 1	4	44	TH247-44	Top Guard	1
17	TH247-17	Plastic Bar 2	2	47	TH247-47	Back Plate 2	1
18	TH247-18	Back Plate 1	1	48	TH247-48	Screw M4x58	2
19	TH247-19	Bolt M8x12	4	49	TH247-49	Base Frame 1	1
20	TH247-20	Wing Screw M5x20	1	50	TH247-50	Movable Guard Plate	1
21	TH247-21	Screw M8x25	4	51	TH247-51	Screw M8x20	3
22	TH247-22	Handle	2	52	TH247-52	Screw M5x20	1
23	TH247-23	Pivoting Log Carriage	1	53	TH247-53	Lock	1
24	TH247-24	Log Ruler	1	54	TH247-54	Guide Pipe	1
25	TH247-25	Log Carriage Extension	1	55	TH247-55	Screw M8x45	1
26	TH247-26	Plug 1	3	56	TH247-56	Wing Screw M5x12	1
27	TH247-27	Bolt M8x20	6	57	TH247-57	Bolt M8x45	1



EC DECLARATION OF CONFORMITY

We Handy Distribution Ltd - SN3 5HY (Importer) declare that the product:

Designation: Electric Circular Saw Bench with Guard

Model(s): THSBENCH-G

Product Number: 1938184001

Type/Serial No: As per rating label on machine

Rated Input: 2200 S2 15min

Protection: IP 54

Blade Speed: 2800 / min

Complies with the following directives:

2006/42/EC – Machinery Directive

2014/35/EU – Low Voltage Directive

The conformity assessment procedure followed was in accordance with

EN 1870-6:2017, IEC 60204 1 + A1:2008

Notified Bodies:

TÜV SÜD Product Service GmbH

Address(es):

Certification Body, Ridlerstraße 65, 80339 München, Germany

Authorised signatory & technical file holder

Date:

01/11/2018

Signature:

Name:

Mr. Simon Belcher

Position:

Chairman

Company:

Handy Distribution Ltd

Address:

Murdock Rd, Dorcan, Swindon, Wiltshire, SN3 5HY.

GJ HANDY & CO LTD USER WARRANTY POLICY

Users Statement of Warranty

Each new machine is warranted against defective material or assembly of material under normal usage. The warranty applies to the original purchaser and covers faulty parts and the labour involved in replacing and repairing those parts, which are of original manufacture.

Period of Warranty

Webb (excludes Electric Handheld & Dynamic), Webb Pro, Sanli Engine

- a) 2 years from the original date of sale to the first domestic user.
- b) 90 days from the original date of sale to the professional/commercial user.
- c) 90 days from the original date of sale when used for hire.
- d) A reduced warranty period of 90 days applies to those items which are subject to normal wear and tear (e.g. but not limited to wheels, tyres, cutter bars, cylinders, cutting blades, blade boss, belts, cables, nylon line & spool, collection bags, spark plugs).
- e) Engines are supplied with a separate warranty to the machine. The engine manufacturers warranty statement which will be supplied within the engine instruction manual. All enquiries and warranty repairs should be discussed with the engine manufacturer or approved warranty repair dealer.
- f) 90 days from the original date of purchase for Replacement Spare Parts (unless normal wear & tear component, which are covered for 30 days).
- g) All machines' must be serviced within the first 12 months from the original date of purchase to comply with the warranty, failure to do so will invalidate the 2nd year of the warranty.

All warranty repairs must be undertaken by an authorised service dealer. These dealers have been accredited by GJ Handy & Co Ltd and agree to only use genuine parts and follow our repair procedures.

Webb Electric Handheld, Webb Dynamic, Handy, Mowerland, Q-Garden

- a) 1 year from the original date of sale to the first domestic user.
- b) 90 days from the original date of sale to the professional/commercial user.
- c) 90 days from the original date of sale when used for hire.
- d) A reduced warranty period of 90 days applies to those items which are subject to normal wear and tear (e.g. but not limited to wheels, tyres, cutter bars, cylinders, cutting blades, blade boss, belts, cables, nylon line & spool, collection bags, spark plugs).
- e) Engines are supplied with a separate warranty to the machine. The engine manufacturers warranty statement which will be supplied within the engine instruction manual. All enquiries and warranty repairs should be discussed with the engine manufacturer or approved warranty repair dealer.
- f) 90 days from the original date of purchase for Replacement Spare Parts (unless normal wear & tear component, which are covered for 30 days).

All warranty repairs must be undertaken by an authorised service dealer. These dealers have been accredited by GJ Handy & Co Ltd and agree to only use genuine parts and follow our repair procedures.

Version 06 (01-18)

GJ HANDY & CO LTD USER WARRANTY POLICY

Not covered by this warranty

- a) The warranty policy does not cover any depreciation or damages caused by ordinary wear, rusting or corrosion, lack of correct maintenance or operation, misuse, abuse, lack of transportation or accident.
- b) The warranty policy does not cover any costs necessary for the standard periodic maintenance services instructed by the operator's manual, or service parts replacement which would include oil, filters, tyres, belts, brake linings, fuses, blades, seals and other service parts unless it can be proven that the item has evidence of faulty manufacture.
- c) The warranty policy will not cover failure or damage caused as a result of parts or accessories being modified without the written approval of GJ Handy & Co Ltd.
- d) The warranty policy will not cover the unit if non-genuine parts have been fitted and as a result damage has occurred to the unit.
- e) The warranty policy is non-transferable and is only applicable to the original purchaser.

Disclaimer

- a) This warranty is only a remedy for defect of products. GJ Handy & Co Ltd will never warranty in terms of the merchantability or the fitness for a particular purpose.
- b) No person is authorised to make any warranties, representations or promises, expressed or implied, on behalf of GJ Handy & Co Ltd, or to modify the terms conditions or limitation of this warranty policy in any way.
- c) Neither GJ Handy & Co Ltd nor any company affiliated with GJ Handy & Co Ltd shall be liable in any event or manner whatsoever for incidental or consequential damages or injuries, including, but not limited to, loss of crops, loss of profit, out of pocket expenses or profits, rental of substitute equipment or other commercial losses.

General

- a) Most warrantable failures show up within the first few weeks of use. These failures are usually straightforward and warranty assessment is relatively easy.
- b) Failures relating to cutter decks and belts need careful investigation, as the cause may not always be straightforward. Look for damage to blades and pulleys especially when the cutter belt or blade boss have snapped or cracked as this could be due to impact damage.
- c) Customers should always refer to the operator/instruction manual when any disputed problem arises, you will find most areas covered within the manual.

Version 06 (01-18)

**For spares or support of your handy product,
please contact us:**

Tel: 01793 333212

Email: customerservice@handydistribution.co.uk

(Mon – Fri 8.00am to 5.30pm excl. Bank Holidays)

To see our range of garden machinery & equipment visit:

www.thehandy.co.uk

Making gardening easier & affordable since 1938

Distributed by Handy Distribution, Murdock Road, Dorcan, Swindon, SN3 5HY