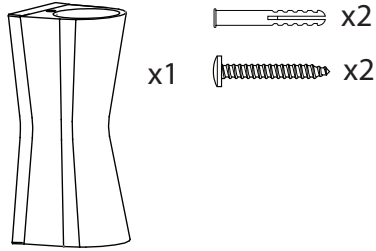
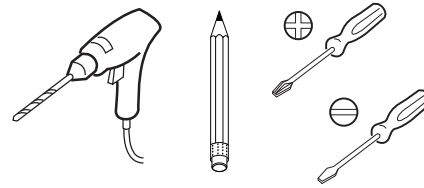


Parts Supplied

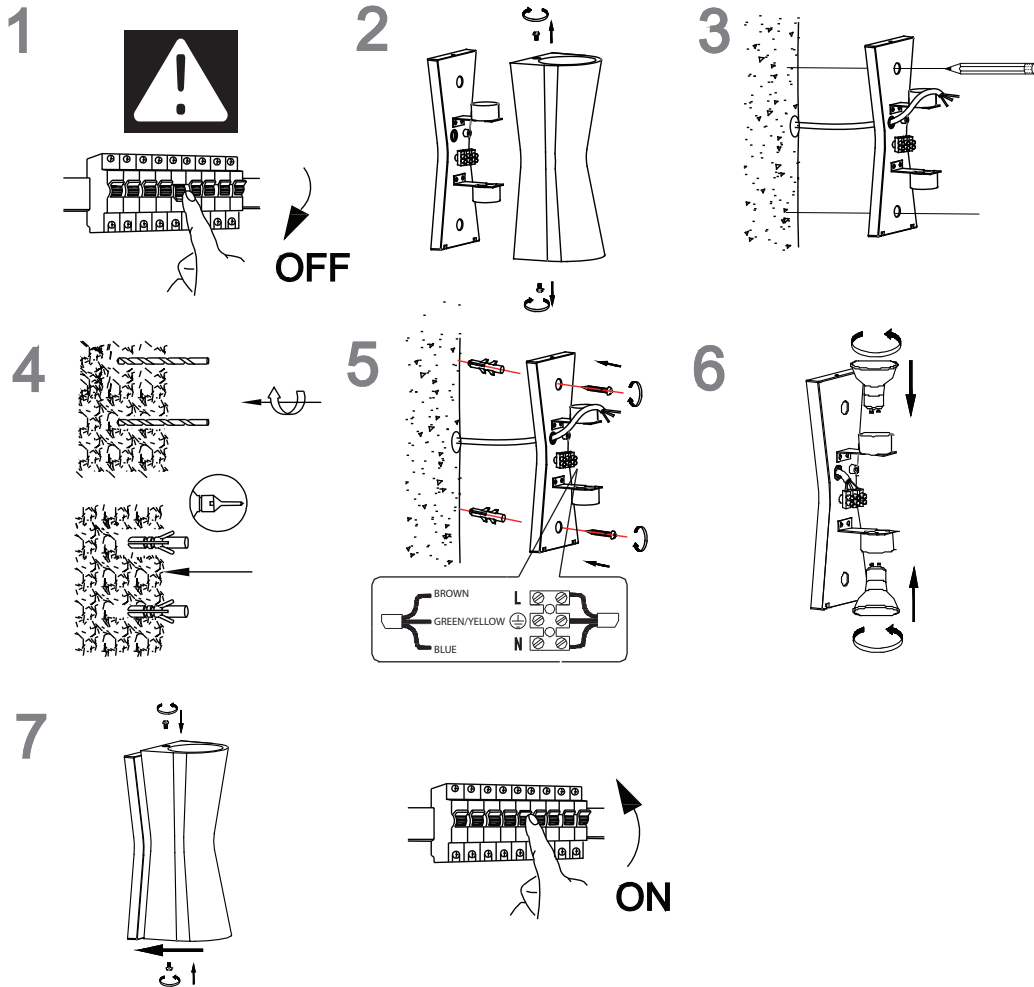


Tools required (not supplied)



Ins ZN 29347 - B

Installation Instructions



Technical Data

Supply Voltage:	220-240 V~, 50 Hz
Bulb Type:	2 x 7W Max LED GU10
CE	Conformity with all relevant EC Directive requirements.
⏚	Class I product, must be connected to earth.
IP44	Protects against solid objects over 1mm and sprays from all directions. Limited ingress permitted.
	Waste electrical products should not be disposed of with household waste. Please recycle where facilities exist. Check with your Local Authority or local store for recycling advice.
	Replace any cracked, protective shield
	Minimum distance between bulbs and illuminated objects should be 0.2m.
	Luminaire designed to be used only with self-shielded tungsten halogen lamps.
	<p>L = Brown</p> <p>N = Blue</p> <p>⏚ = Green/Yellow</p>



Images for illustration purposes only – Product may differ slightly from the one shown