

ZINC
OUTDOOR

Mesa 16W LED Door Light

INS ZN 35689 - A



Instruction

The product can automatically turn on or off according to the ambient light after setting the LUX knob inside the lamp. Ambient-temperature and humidity cannot affect it. The photocell inside can control the lamp working only at night. The users can make house no. label as they need and paste it on the lampshade.

SPECIFICATION:

Power Sourcing: 220 -240V/AC

Power Frequency: 50/60Hz

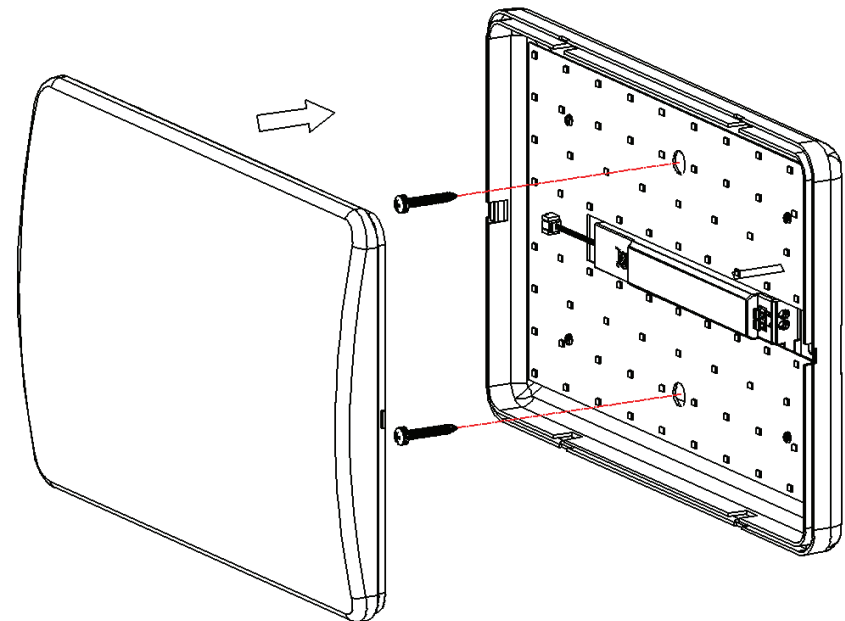
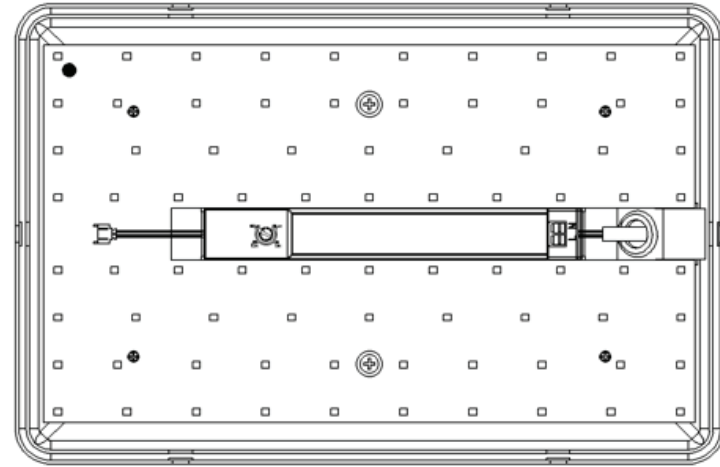
IP Class: IP65

Rated Load: 16W (1300LM)

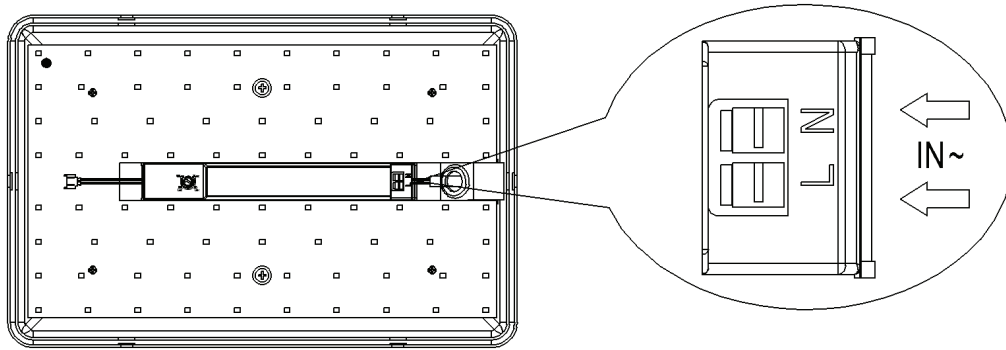
Ambient Light: <3-50 LUX (adjustable)

INSTALLATION: (see the diagram)

- Switch off the power.
- Unload the lampshade and open it.
- Pass the wire through the hole in the bottom and connect the power wire into the terminal block according to the connection-wire diagram. Install the lamp at the position where you need with inflated screws.
- Switch on the power and test it.



CONNECTION-WIRE DIAGRAM.

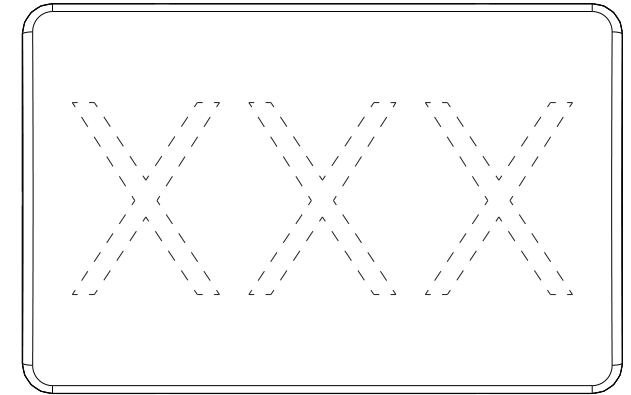
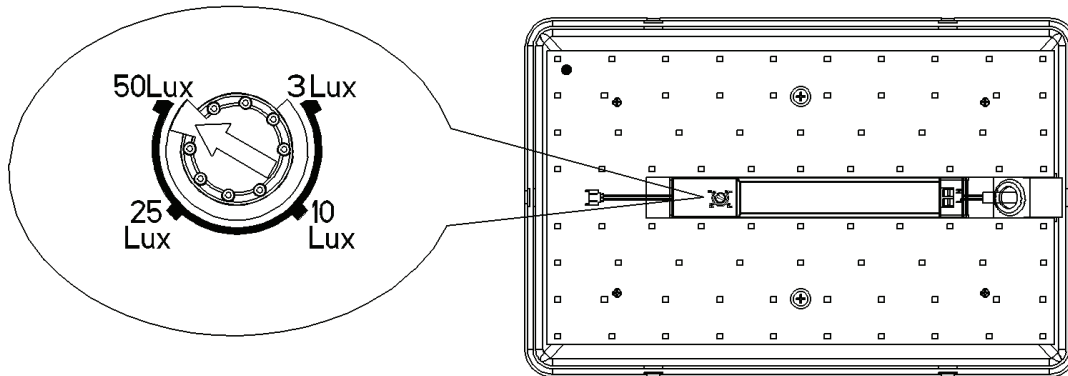


NOTE:

- In front of the lamp, there should be no obstruction affecting it receives natural light.
- The working of lamp may be different when installed in a bright or dark place as it works according to the condition of ambient light.

TEST:

- Slide the LUX knob to 50LUX and switch on the power. When you test in the daytime, you should cover a black opaque cloth on the lamp.



Place up to 3 self-adhesive numbers/letters on the door light as shown in the above locations

- When the cloth mantles the lampshade, the ambient light is less than about 50LUX, the lamp will turn on automatically after about 20s.
- Keep the lamp ON not less than 15s, then when you take away this cloth and the ambient light gets brighter more than about 150LUX, the lamp will switch off automatically in about 15s.
- Slide the LUX knob to 3LUX, the lamp will turn on when the ambient light is less than 3LUX.
- When you set LUX knob to other marked positions, the lamp will turn on when the ambient light reaches the required LUX value.



This product should be disposed of responsibly at the end of its life. Please recycle where facilities exist. Check with your Local Authority or retailer for recycling advice (Waste Electrical and Electronic Equipment Directive)

HELPLINE

If you receive this item with parts broken or missing, please telephone:

0333 0050077

Please have ready your name, address, tel. no., product reference, where purchased and parts required. An answering service is in operation outside office hours and during busy periods.

We regret that we are unable to give advice on internal house wiring.

Cascade Holdings Ltd, Gorse Mill, Gorse Street, Chadderton, Oldham. OL9 9RJ