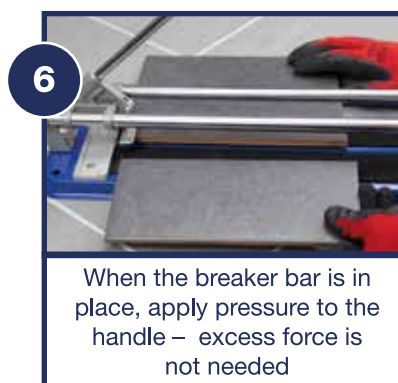
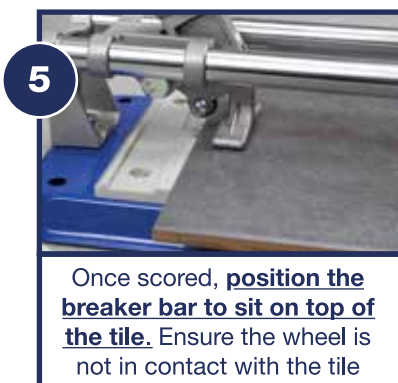
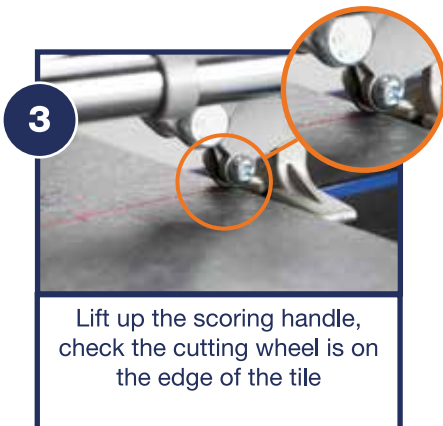


CUT CERAMIC TILES



Make sure you place the tile cutter on a solid flat surface.

Straight Cuts



Tips

- Use a Tile File to smooth sharp edges
- For smaller cuts and shaping, use Tile Nippers
- After cutting is complete, clean the cutter to prolong its life

