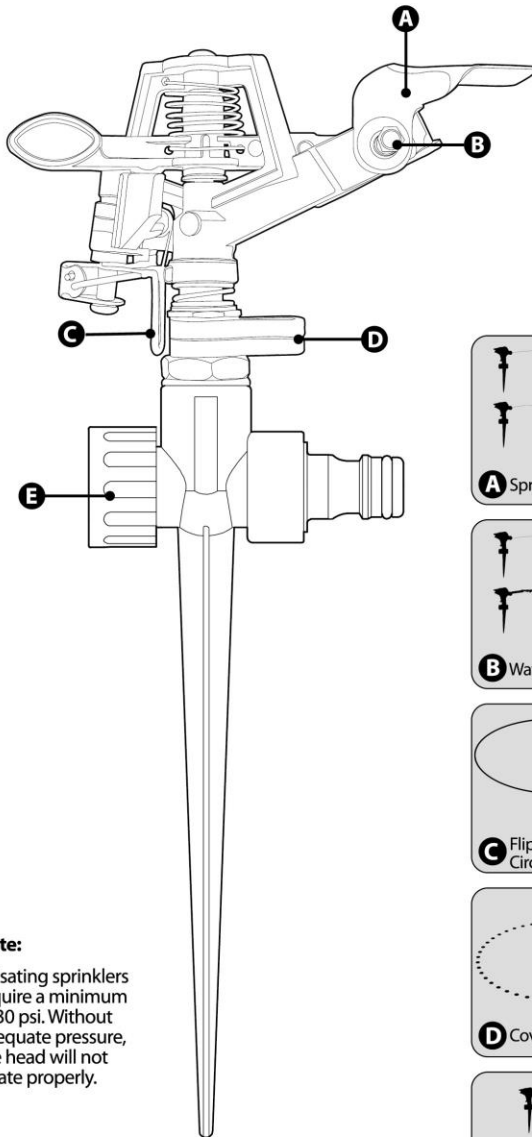
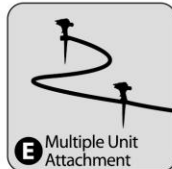
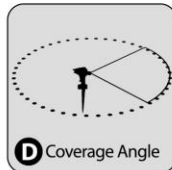
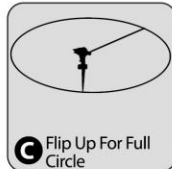
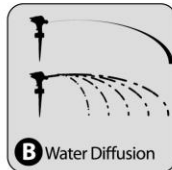
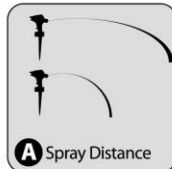


dy1023 87487 210x297mm

87487 Metal Pulsating Sprinkler Adjustments



Note:
Pulsating sprinklers require a minimum of 30 psi. Without adequate pressure, the head will not rotate properly.



- Adjusting the deflector shield **A** will adjust the distance the water sprays. Raise the deflector shield up to get the maximum distance. Lower the deflector shield into the spray of the water and the distance of the spray will be reduced.
- The adjustment screw **B** at the front of the sprinkler head diffuses the water as it is sprayed. When the screw is in the out position, the water sprays in a fine stream. When the screw is in, the tip of the screw enters the stream of the water; this disrupts the spray and causes the sprinkler to create a more gentle, shower-like pattern.
- Flip clip **C** to the up position to allow the sprinkler to rotate 360°.
- When the clip is in the down position, the head will rotate between the two rings **D**. Adjusting the rings will limit how much of a circular area is watered.
- To connect multiple units, use **E** to attach a second hose and an additional sprinkler unit. Additional units will diminish the maximum coverage area of all sprinklers. (not available on all models)

