

XALE2151

control station XAL-E with green pushbutton 1
NO START + red 1 NC STOP



Main

Range of product	Harmony XALE
Product or component type	Complete control station
Device short name	XALE
Product destination	For XB7 Ø 22 mm control and signalling units
Control station application	Two functions
Colour of base of enclosure	Light grey RAL 7035
Colour of cover	Light grey RAL 7035
Material	ABS (acrylonitrile butadiene-styrene)
IP degree of protection	IP54 conforming to IEC 60529
Control station composition	1 flush push-button, spring return green 1 NO contact(s), START white 1 flush push-button, spring return red 1 NC contact(s), STOP white
Marking location	Marking on push-button
Contact operation	Slow-break

Complementary

Cable entry	2 knock-outs, clamping capacity <= 20 mm 6 knock-outs for ISO M20
Product weight	0.145 kg
Marking	CE
Positive opening	With conforming to EN/IEC 60947-5-1 appendix K
Short-circuit protection	4 A by gG cartridge fuse conforming to EN/IEC 60947-5-1
[Ui] rated insulation voltage	250 V (degree of pollution: 3) conforming to EN/IEC 60947-1
[Uimp] rated impulse withstand voltage	4 kV conforming to EN/IEC 60947-1
[Ie] rated operational current	0.1 A at 250 V DC-13, R300 conforming to EN/IEC 60947-5-1 0.22 A at 125 V DC-13, R300 conforming to EN/IEC 60947-5-1 0.3 A at 240 V AC-14, D300 conforming to EN/IEC 60947-5-1 0.6 A at 120 V AC-14, D300 conforming to EN/IEC 60947-5-1
Electrical reliability	$\Lambda \leq 10 \exp(-6)$ at 17 V 5 mA conforming to IEC 60947-5-4

Environment

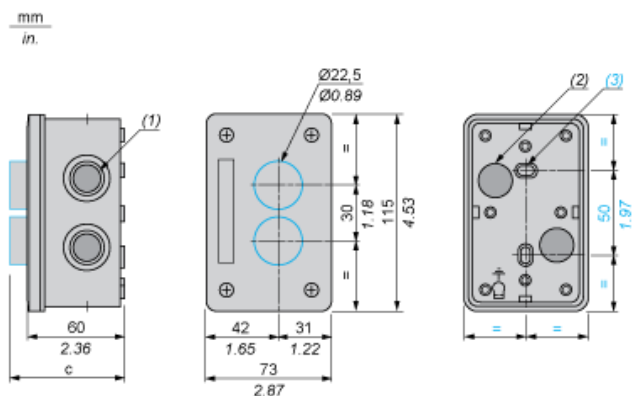
Protective treatment	TC
Ambient air temperature for storage	-40...70 °C
Ambient air temperature for operation	-25...55 °C
Electrical shock protection class	Class II conforming to IEC 60536
IK degree of protection	IK05 conforming to EN 50102
Standards	EN/IEC 60947-1 EN/IEC 60947-5-5 EN/IEC 62208 EN/IEC 60947-5-1

Contractual warranty

Warranty period	18 months
-----------------	-----------

The information provided in this documentation contains general descriptions and/or technical characteristics of the performance of the products contained herein. This documentation is not intended as a substitute for and is not to be used for determining suitability or reliability of these products for specific user applications. It is the duty of any such user or integrator to perform the appropriate and complete risk analysis, evaluation and testing of the products with respect to the relevant specific application or use thereof. Neither Schneider Electric Industries SAS nor any of its affiliates or subsidiaries shall be responsible or liable for misuse of the information contained herein.

Dimensions



- (1) 6 ISO 20 knock-outs.
 (2) 2 knock-outs for cable entry, maximum capacity 20 mm / 0.79 in.
 (3) 2 knock-out elongated fixing holes $\text{Ø} 3 \text{ mm} \times 5 \text{ mm} / \text{Ø} 0.12 \text{ in.} \times 0.20 \text{ in.}$

Control station XALE fitted with:	c in mm	c in in.
Flush pushbutton	69	2.72
Projecting pushbutton	71	2.79
Illuminated pushbutton	74.5	2.93
Pilot light	71	2.79
Emergency stop without key	89.5	3.52
Selector switch with standard handle	84.5	3.33
Key switch	100	3.94