

Internal/External
Wall/Window
Fan Range

GX6

*Installation and
maintenance instructions*

Retain for future reference

GB

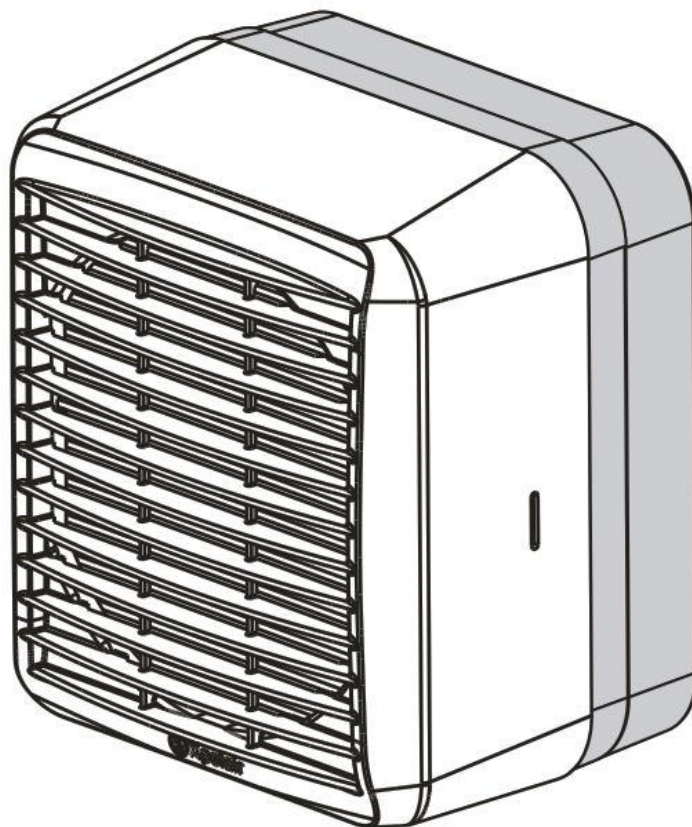
F

D

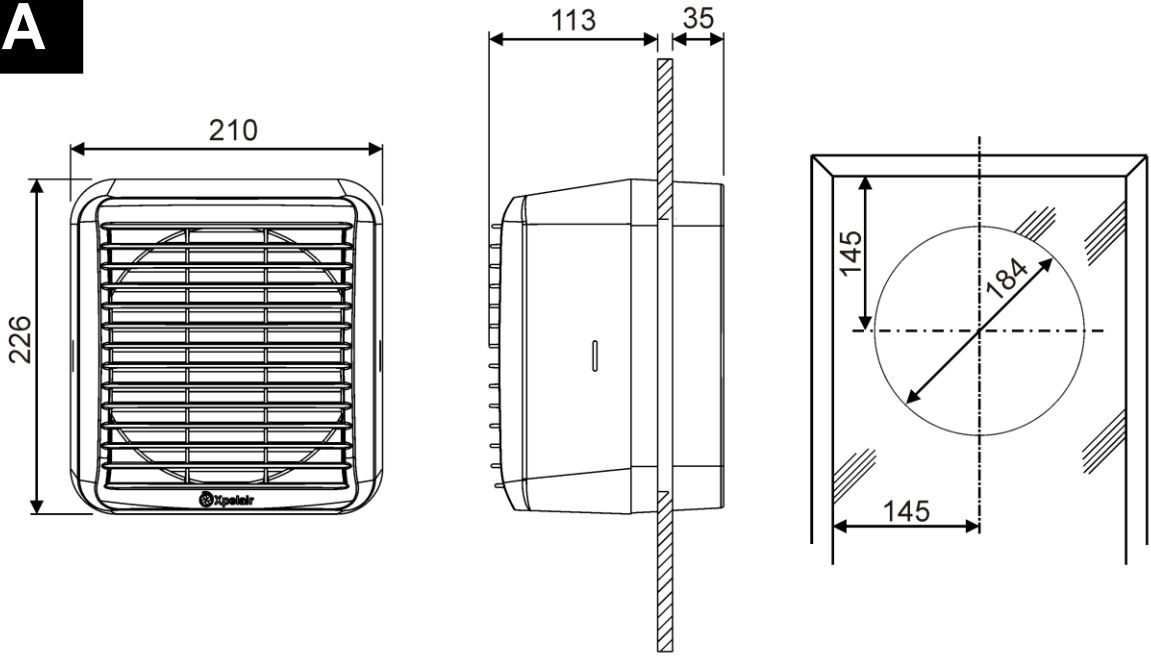
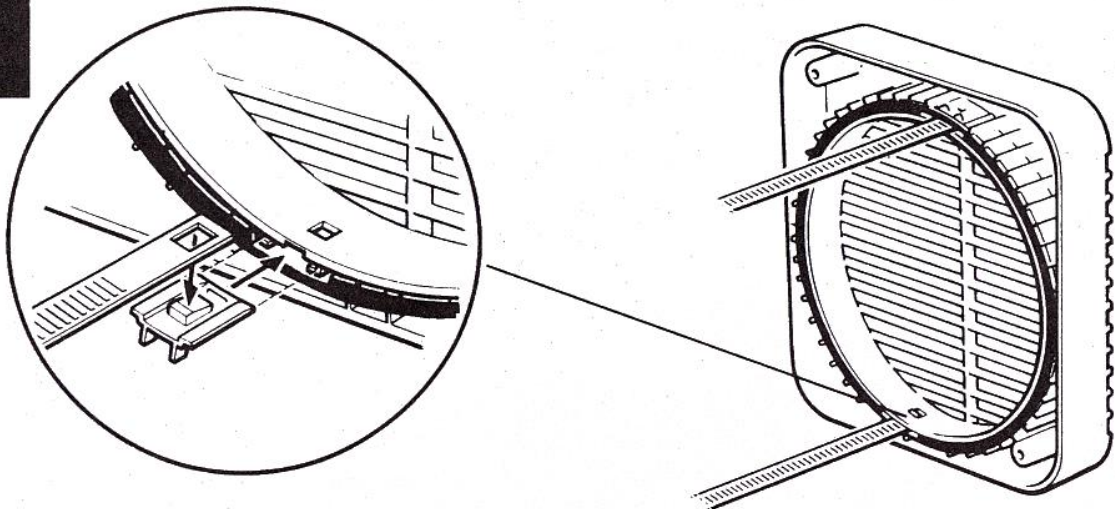
NL

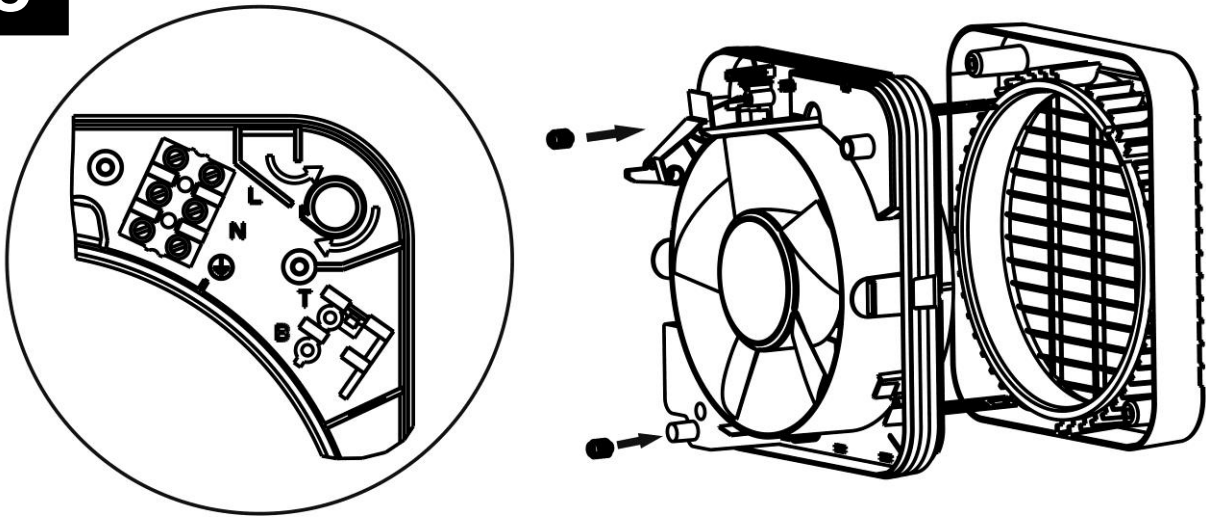
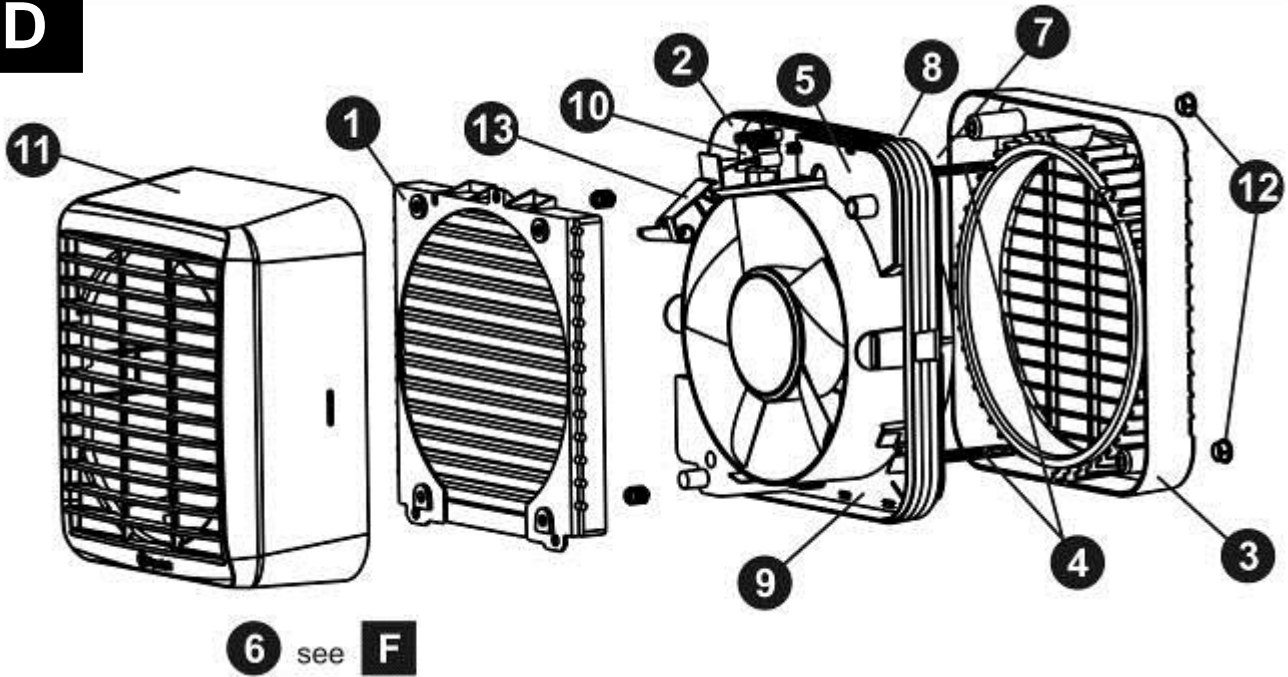
a

CAN



 **Xpelair[®]**

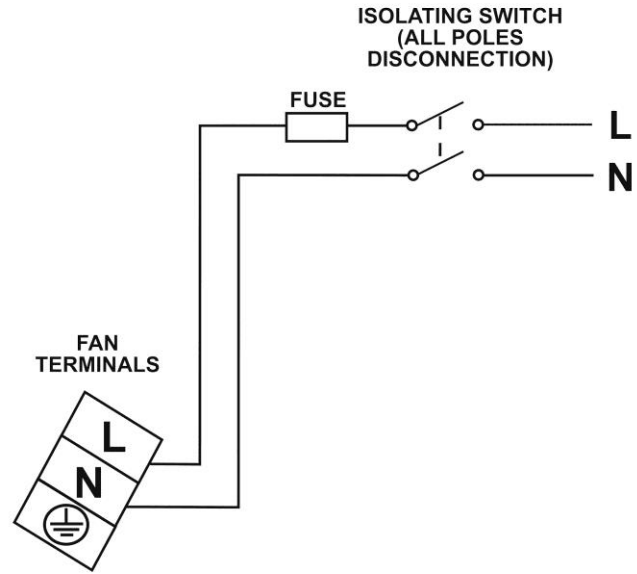
A**B**

C**D**

Components, Fig. D.

1. Back draught shutter.
2. Fan assembly.
3. Outer grille.
4. Ladder strips.
5. Terminal cover.
6. Trickle vent catch.
7. Rear cable entry.
8. Top cable entry.
9. Rating plate.
10. Lugs for screw mounting.
11. Grille.
12. Screw hole caps.
13. Actuator lever.

E

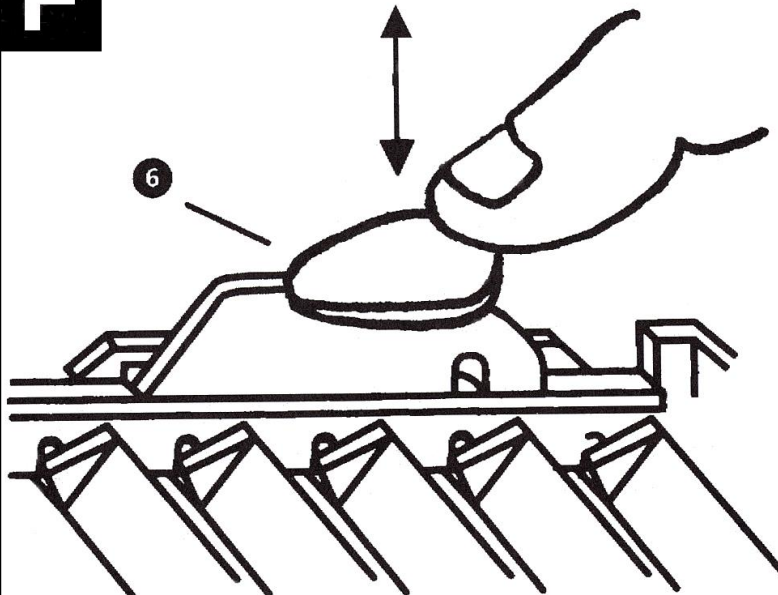


NOTE:
NO CONNECTIONS
REQUIRED TO
POSITION MARKED

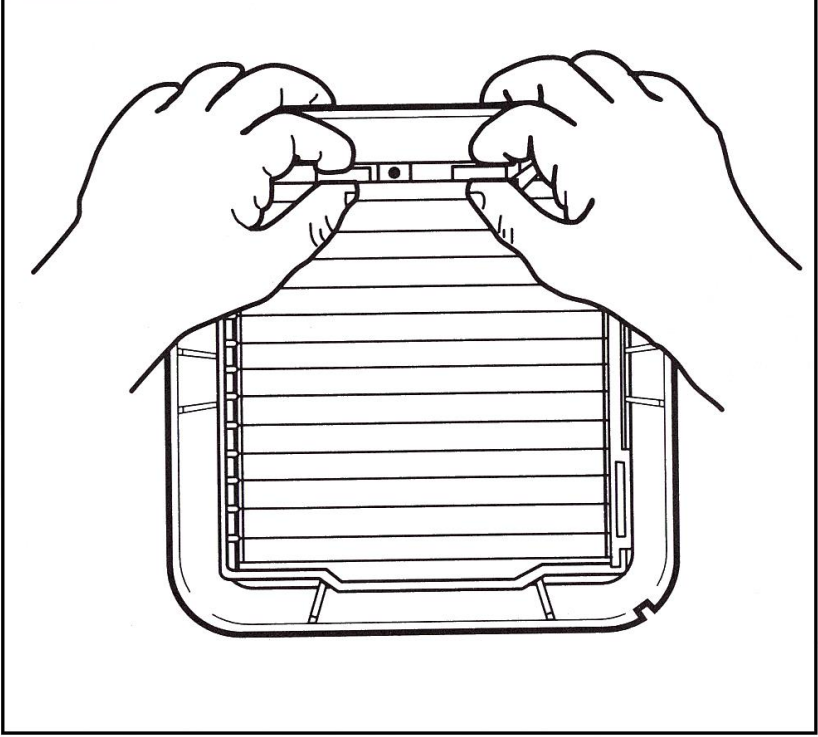


PARKING POINT ONLY.

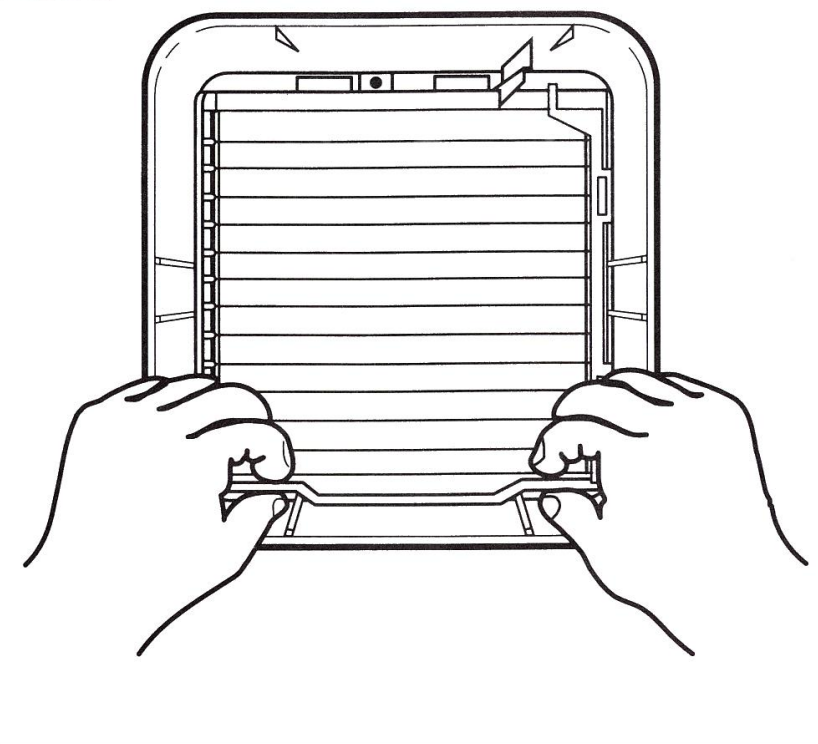
F



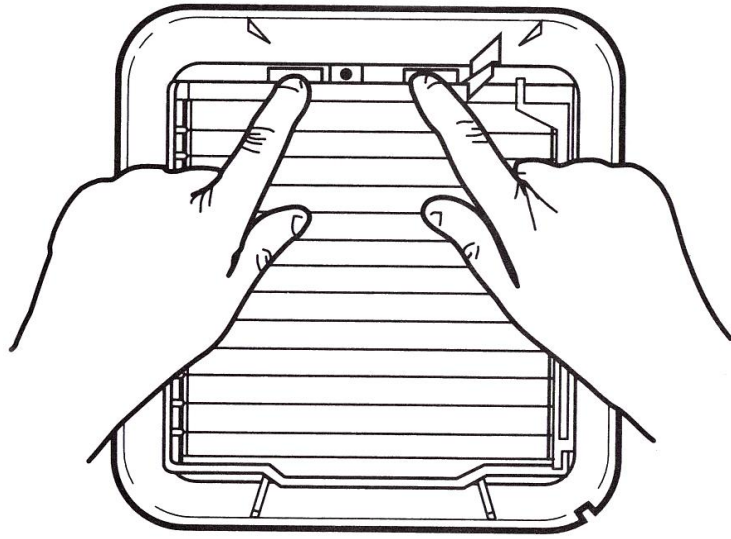
G1



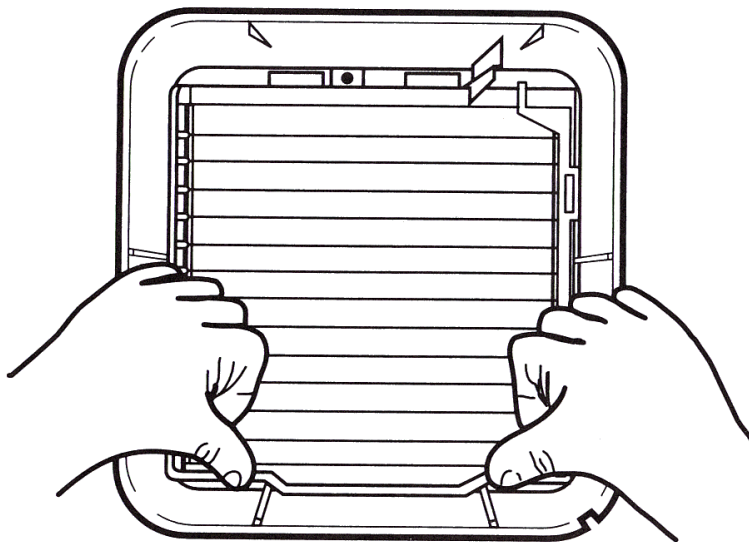
G2



G3



G4



Xpelair GX6EC, & GXC6EC

Installation and Operating Instructions

PLEASE LEAVE THIS LEAFLET WITH THE FAN, FOR THE BENEFIT OF THE USER.

This appliance can be used by children aged from 8 years and above and persons with reduced physical, sensory or mental capabilities or lack of experience and knowledge if they have been given supervision or instruction concerning the use of the appliance in a safe way and understand the hazards involved.

Children shall not play with the appliance.

Cleaning and user maintenance of the appliance shall not be made by children.

Before any cleaning or maintenance, isolate the fan completely from the mains supply.

Description

The GX6EC models have the following features:

- Window / Wall / Panel / Roof mounting options.

GX6EC

- For remote switch operation.
- Single speed extract operation.
- Trickle ventilation setting.

GXC6EC3

- Integral pull cord operation.
- Single speed extract operation.
- Trickle ventilation setting.

What the installer will need

- A means of disconnection in all poles must be provided in the fixed wiring in accordance with the wiring rules.
- If metal switch boxes are used, earthing regulations must be followed.
- Suitably rated 2-core cable (Product is double insulated and does not require an Earth).
- 6mm blade large screwdriver, 3mm blade electrician's screwdriver and No. 1 and 2 Pozidriv screwdrivers.

If window mounting the fan, you will also need:

- A single glazed window with a minimum glass thickness of 4mm or a double glazed unit with a pre-prepared sealed hole.
- Masonry drill, hammer and chisel (or core drill equipment, if available).
- Mortar (to make good the hole).

If wall mounting the fan, you will also need:

- Wall kit WK6/300 (available from Xpelair) for walls up to 300mm (12") thick or WK6/450 (available from Xpelair) for walls up to 450mm (18") thick.
- 4 mounting fasteners (use fasteners suitable for wall type. Recommended screw size for standard brick – No. 8 x 38mm Pan Head).

Where to locate the Fan

- Locate it as high as possible
- At least 145mm from edge of the wall/window frame to the hole centre (see Fig. A.).
- As far as possible from and opposite to the main source of air replacement to ensure airflow across the room (e.g. opposite an internal doorway).
- Near the source of steam or odours.
- Not where ambient temperatures are likely to exceed 50°C.
- If installed in a kitchen, fans must not be mounted immediately above a cooker hob or eye level grill.
- When the fan is installed in a room containing a fuel burning appliance, precautions must be taken to avoid the backflow of gasses into the room from the open flue of the burning appliance.
- When intended for use in possible chemical corrosive atmospheres, consult our technical service department. (For overseas markets contact your local Xpelair Distributor).
- This electrical product, if installed in a shower room or bathroom, must be situated so it

cannot be touched by persons making use of the bath or shower.

Installing the switches and cables

1. Check that there are no buried pipes or cables (e.g. Electricity, gas, water) behind the switch location (in the wall or above the ceiling).
2. Lay in the cable from the isolating switch to the fan location via the on/off switch (see Fig. E).
3. Lay in the cable from the isolating switch to the point of connection to the mains supply.
WARNING: DO NOT MAKE ANY CONNECTIONS TO THE ELECTRICITY SUPPLY AT THIS STAGE.
4. Install the isolating switch and the on/off switch, see Fig. E.
5. Make all connections within the isolating switch, and the on/off if required.

Note: When installed in a bathroom all switches must be of a pull cord type and must be situated so that they can not be touched by persons making use of the bath or shower.

For Australia only

These models are permanently connected to the supply and operation is controlled by a remote switch. Wire directly to the supply through an approved 10A wall mounted surface switch with at least 3mm clearance between contacts.

Preparing the hole

If working above ground level, appropriate safety precautions must be observed.

WARNING: EYE PROTECTION MUST BE WORN DURING ALL DRILLING AND CHISELLING OPERATIONS.

If installing in a wall

1. Check there are no buried pipes or cables in a wall or obstructions on the outside (e.g. Electricity, gas, water).
2. Ensure that the centre of the hole is located at least 145mm from the edges of the wall, see Fig. A.
3. Mark on the centre of the duct hole.
4. Use this centre to draw a circle to suit the wall duct (203mm diameter for a WK6/300 or WK6/450).

If core drill equipment is available

- 5a. Use as directed by the core drill manufacturer.

If core drill equipment is not available

- 5b. Drill a centre hole right through the wall.
6. Cut the hole. Do not cut right through the wall (the recommended method is to drill a series of holes, close together, around the edge of the cutting line and remove the brick between the holes with a chisel).
7. Go outside and cut a hole in the outer wall, repeating the process described above.

8. Fit the ducting. Ensure that the duct slopes down away from the fan to allow drainage of any incoming rain water to the outside.
9. Make good the hole. Allow for the mortar to set before continuing with the installation.

If installing in a window

Obtain a ready cut pane with a correctly located hole, 184mm diameter, see Fig. A.

Preparing the fan for installation

1. For window mounting, use the two short ladder strips supplied with the fan. For wall mounting, use the longer ladder strips supplied with the wall kit WK6/300 or WK6/450.
2. Secure the two ladder strips to the outer grille by positioning them over the hook moulding and snapping them into position.
3. Ensure after fitting the hook moulding that the gasket is in the correct position, see Fig. B.
4. Insert the two screw covers in the two fixing holes in the outer grille.

Mounting the fan in the hole, Fig. C.

If working above ground level, appropriate safety precautions must be observed.

Remove the back draught shutter/grille assembly by pressing the release catches located on the sides of the unit with a 6mm screwdriver or a coin, whilst pulling the grille forward.

If installing with ladder strips

1. Hold up the outer grille to the outside wall or window so that the hole in the outer grille is aligned with the hole in the wall or window.
- 2a. If wiring from the rear, remove the fan's terminal cover and rear entry knockout. Feed the cable through the rear cable entry.
- 2b. If wiring from above, remove the fan's terminal cover and feed the cable through the top cable entry.
3. Hold the fan assembly to the inside of the wall or window and guide the ladder strips from the outer grille through the slots in the fan assembly.
4. Insert the slotted screws into the pockets around the ladder strip slots.
5. Tighten the screws carefully to make a good seal, do not over tighten the screws.
6. Trim the ladder strips back to the required length, if necessary remove any sharp edges.

If using screw fixings

1. Hold the outer grille up to the outside of the wall so that the hole in the outer grille is aligned with the hole in the wall.
2. Mark the positions of the fixing holes in the top right and bottom left corners.
3. Drill the holes and insert anchor fixings to suit the wall.
4. Screw the outer grille securely in place. **Do not over tighten screws.**
5. Insert the two screw covers in the two fixing holes in the outer grille.

- 6a. If wiring from the rear, remove the fan's terminal cover and rear entry knockout. Feed the cable through the rear cable entry.
- 6b. If wiring from above, remove the fan's terminal cover and feed the cable through the top cable entry.
7. Hold the fan assembly to the inside of the wall so that the spigot is inserted into the wall duct.
8. Mark the position of the two fixing holes in the top left and bottom right corners.
9. Remove the fan assembly, drill the holes and insert anchor fixings appropriate to the type of wall.
10. Reposition the cable and fan assembly as before and screw securely in place. **Do not over tighten screws.**

Note: For particularly difficult installations, it is possible to secure the fan with a combination of screw and ladder strip fixings.

Wire the electrical connections

1. Wire the switch cable into the terminal connections as shown in Fig. E.
2. If the fan is wired from above, ensure the outer sheath of cable is retained in the labyrinth, see Fig. C.
3. Refit and secure terminal cover.
4. Refit the back draught shutter/grille assembly by sliding the grille back over the release catches, the catches will locate and secure the grille.
5. **Switch off the mains electricity supply and remove fuses.**
6. Connect the cable from the isolation switch to the electrical supply wiring.
7. Replace the fuses and switch on the mains electricity supply.

For fixed wiring circuits the protective fuse for the appliances must not exceed 5A.

Operating the fan

- These fans are single speed and non-reversible (extract only).
- The shutters have a time delay of up to 1 minute on opening and up to 3 minutes on closing. Activated by operation of the switch, the delay ensures quiet operation (except GXC6 model).

For Australia Only:- Warning – Children should not play with the appliance. Young children and the infirm should be supervised.

GXC6EC

- The fan is operated by an integral pull cord.
- To switch on, pull down the cord and release it.
- Repeat to switch off.

GX6EC

- The fan is operated by a remote switch.

Trickle ventilation

Trickle ventilation is equivalent to that provided by an airbrick or similar device.

1. Remove the back draught shutter/grille assembly (see "Mounting the fan in the hole" section).

To allow trickle ventilation

2. HOLD THE SHUTTER VANES FULLY OPEN.
3. Push down firmly on the trickle vent catch until it clicks into position then release the shutter vanes, see Fig. F. item 6.

To fully close the shutters and stop any back draught

4. Pull the trickle vent catch towards you until it clicks into position.
5. Refit the back draught shutter/grille assembly, see "Wire the electrical connections" section, ensuring that the actuator lever is in the "fully down" position.

Maintenance

A QUALIFIED ELECTRICIAN MUST CARRY OUT ALL CLEANING.

NOTE: THE FAN WILL CONTINUE TO OPERATE WITH THE INNER GRILLE REMOVED HENCE IT MUST BE ISOLATED COMPLETELY FROM THE MAINS BEFORE ANY WORK IS CARRIED OUT.

1. **Before cleaning, isolate the fan completely from the mains electricity supply. Allow 3 minutes for the impeller to stop rotating and the powered shutter to close. Cleaning on the GXC6 EC3 can begin once the impeller has stopped rotating.**
2. Remove the back draught shutter/grille assembly by pressing the release catch located on the side of the unit with a 6mm screwdriver or a coin, whilst pulling the grille forward. To remove the back draught shutter, lay face down and pull the shutter forwards, see Fig. G1 and Fig. G2.
3. To clean the impeller, wipe it with a damp, lint free cloth. **Do not use strong detergents or chemical cleaners.**
4. Clean the back draught shutter and grille in warm soapy water. **Do not use strong detergents or chemical cleaners.**
5. Thoroughly dry the back draught shutter and grille and refit the back draught shutter to the grille by placing into position and pushing down until it clicks into position, see Fig. G3 and Fig. G4.
6. Refit the back draught shutter/grille assembly by sliding the grille back over the release catches, the catches will locate and secure the grille.

Do not immerse the fan in water or other liquids to clean any other parts of the fan.

Never use strong solvents to clean the fan.

Apart from cleaning, no other maintenance is required.

Spares

40984SK – Wax Actuator
41004SK - Actuator Linkage Assembly
41010SK – Outer Grille Assembly
41785SK – Ladder Strip Kit 3”
41791SK – Cord Actuator Assembly
42031SK – Inner Grille / Shutter Assembly
SP04/70026/0 – GX6EC Motor/Duct Assembly
SP04/70027/0 – GXC6EC Motor/Duct Assembly

This page has been left blank for the addition any notes you may wish to make.

Warranty

What does an Xpelair Warranty cover?

Xpelair products deliver reliable service for normal, household use in domestic settings. All Xpelair products are individually tested before leaving the factory.

If you are a consumer and you experience a problem with your Xpelair product, which is found to be defective due to faulty materials or workmanship within the Warranty Period, this Xpelair Warranty will cover repair or - at the discretion of Xpelair - replacement with a functionally equivalent Xpelair product.

The Xpelair Warranty Period is two calendar years from the date of purchase of your Xpelair product, or the date of delivery of the product, if later. The Xpelair Warranty is conditional upon you providing the original purchase receipt as proof of purchase. Please therefore retain your receipt as proof of purchase.

If you do experience a problem with your Xpelair product please call the Helpline on +44 [0]344 879 3588 or at the address below.

We will need details of your Xpelair product, and a description of the fault which has occurred. Once we receive your information and proof of purchase we will contact you to make the necessary arrangements.

Customers outside UK - see international below.

If your Xpelair product is not covered by this Xpelair Warranty there may be a charge to repair your product. However, we will contact you for agreement to any charges before any chargeable service is carried out.

What is not covered by an Xpelair Warranty?

The Xpelair Warranty does not cover any of the following:

- Any fault or damage to your Xpelair product due to faulty materials or workmanship occurring outside the two-year Warranty Period.
- Any fault or damage occurring to any pre-owned Xpelair product or to any other equipment or property.
- Accidental damage to your Xpelair product or damage to your Xpelair product from external sources (for example, transit, weather, electrical outages or power surges).
- Fault or damage to your Xpelair product which is:
 - Not due to faulty materials or workmanship or which is due to circumstances outside Xpelair's control.
 - Caused by use of your Xpelair product for anything other than normal domestic household purposes in the country where it was purchased.
- Caused by any misuse, abuse or negligent use of the Xpelair product, including but not limited to any failure to use it in accordance with the Operating Instructions supplied with the product.
- Caused by any failure to assemble, install, clean and maintain your Xpelair product in accordance with the Operating Instructions supplied with the product unless this was carried out by Xpelair or its authorised dealers.
- Caused by repairs or alterations to your Xpelair product not carried out by Xpelair service personnel or its authorised dealer(s).
- Caused by use of any consumables or spare parts for your Xpelair product which are not Xpelair specified.

Terms and Conditions

- The Xpelair Warranty is valid for Xpelair from the date of purchase of your Xpelair product from a recognised retailer in the country of purchase and use, or the date of delivery of the product if later, always provided the original receipt has been retained and is produced as proof of purchase.
- You must provide to Xpelair or its authorised agents on request the original receipt as proof of purchase and - if required by Xpelair - proof of delivery. If you are unable to provide this documentation, you will be required to pay for any repair work required.
- Any repair work under the Xpelair Warranty will be carried out by Xpelair or its authorised dealer(s) and any parts that are replaced will become the property of Xpelair. Any repairs performed under the Xpelair Warranty will not extend the Warranty Period.
- Any replacement of your Xpelair product by Xpelair during the Warranty Period will start the two-year Warranty Period afresh from the date of delivery of the replacement Xpelair product to you.
- The Xpelair Warranty does not entitle you to recovery of any indirect or consequential loss or damage including but not limited to loss or damage to any other property.
- The Xpelair Warranty is in addition to your statutory rights as a consumer and your statutory rights are not affected by this Xpelair Warranty.

Contact Xpelair

If you have any questions about what the Xpelair Warranty covers and does not cover or how to claim under the Xpelair Warranty, please contact us using the information below.

Contact details

Millbrook House, Grange Drive, Hedge End, Southampton, SO30 2DF

Telephone: +44 (0) 344 879 3588

Email: customer.services@glendimplex.com

<http://www.xpelair.co.uk>

International.

- Guarantee: Contact your local distributor or Xpelair direct for details.
- Technical Advice and Service: Contact your local Xpelair distributor.

Xpelair: A brand of the GDC Group Limited, trading as Glen Dimplex Heating & Ventilation

© Glen Dimplex. All rights reserved. Material contained in this publication may not be reproduced in whole or in part, without prior permission in writing of Glen Dimplex

Important



For electrical products sold within the European Community. At the end of the electrical products useful life it should not be disposed of with household waste. Please recycle where facilities exist. Check with a Local Authority or retailer for recycling advice in your country. Batteries should be disposed of or recycled in accordance with WEEE Directive 2012/19/EU. Packaging should be recycled where possible.



FM02118 ISO 9001: 2000



Leaflet Number: 08/100065/0 Rev: A