

Hilka

WELDED BOTTLE JACK



Orange cap covering the Release Valve must be removed before use.

82250120
82250130
82250150
82250208
82250212
82250220



Hilka Tools UK LTD
1 Roebuck Place, Roebuck Road,
Chessington, Surrey KT9 1EU



INTRODUCTION

Hilka bottle jacks are produced to conform with European Standards EN 1494/A1:2008 and the Machinery Directive (MD) 2006/42/EC

RETAIN THESE INSTRUCTIONS

Please read this manual carefully before you use your jack and ensure you understand its operation and the safety procedures to be observed.

Make sure this manual is kept for future reference and that any new users of this product read the contents and fully understand all instructions before attempting operation.

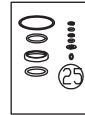
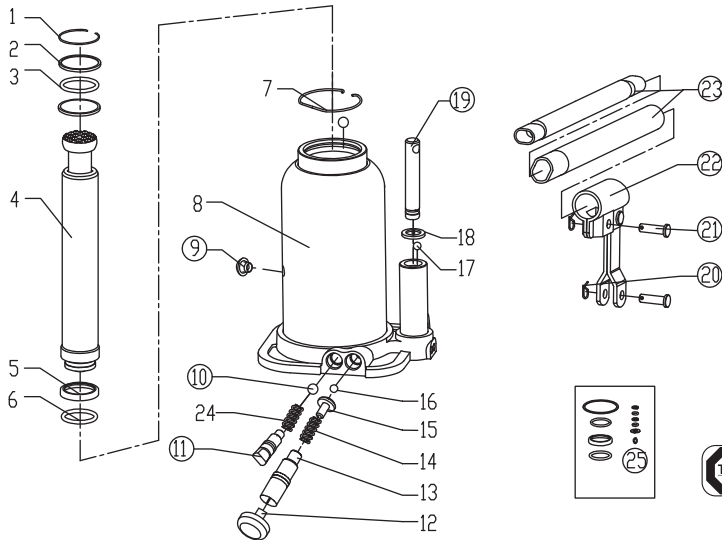
WARNINGS

- Study, understand and follow all instructions and warnings before operating this device.
- Do not exceed rated capacity.
- Use only on hard, level surfaces, with less than 3 degrees of slope.
- This device is suitable for lifting only. Immediately after lifting, support the vehicle with appropriate means.
- Do not move or dolly the vehicle whilst on the jack.
- Lift only on areas of the vehicle as specified by the vehicle manufacturer.
- No alterations should be made to this product.
- Only attachments and/or adapters supplied by the manufacturer shall be used.
- Do not get under or allow anyone under the vehicle until it has been supported by jack stands.
- Centre load on saddle prior to lifting.
- Use wheel chocks or other blocking device on opposing wheels before using jack.
- Never use on a lawn mower or lawn tractor.
- Do not use this jack for any other use other than the manufacturers specified use.
- Do not rock the vehicle while working on or around equipment.
- The following are not recommending for supporting using this equipment: foundations, homes, mobile homes, trailers, RV's, campers, fifth wheels etc.
- Failure to heed these markings may result in personal injury and/or property damage.

SPECIFICATIONS

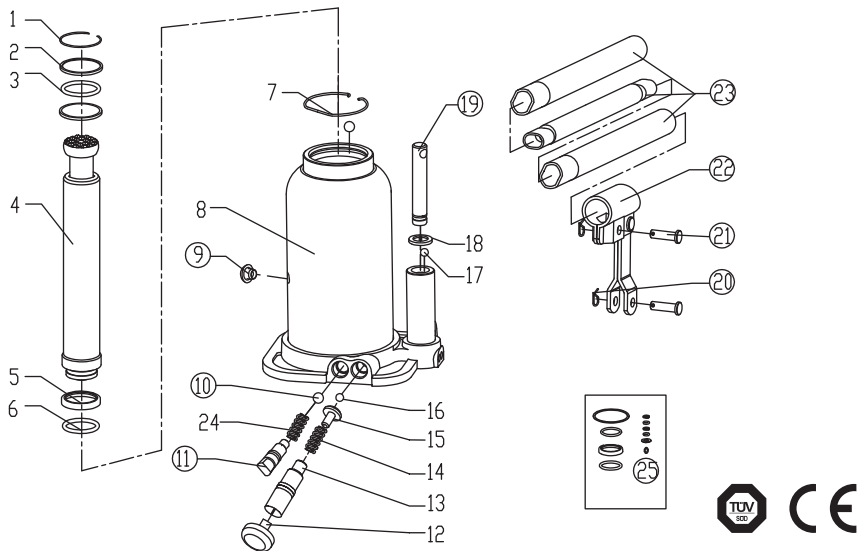
Item	Capacity	Min. Height (mm)	Lifting Height (mm)	Adjustable Height (mm)	Max. Height (mm)	N.W. (kgs)
82250120	2 TON	168	100	48	316	2
82250130	3 TON	188	115	60	363	2.8
82250150	5 TON	207	125	70	402	3.7
82250208	8 TON	222	145	80	447	4.8
82250212	12 TON	227	150	80	457	6.0
82250220	20 TON	235	150	60	445	8.6

2tonne 3tonne 5tonne



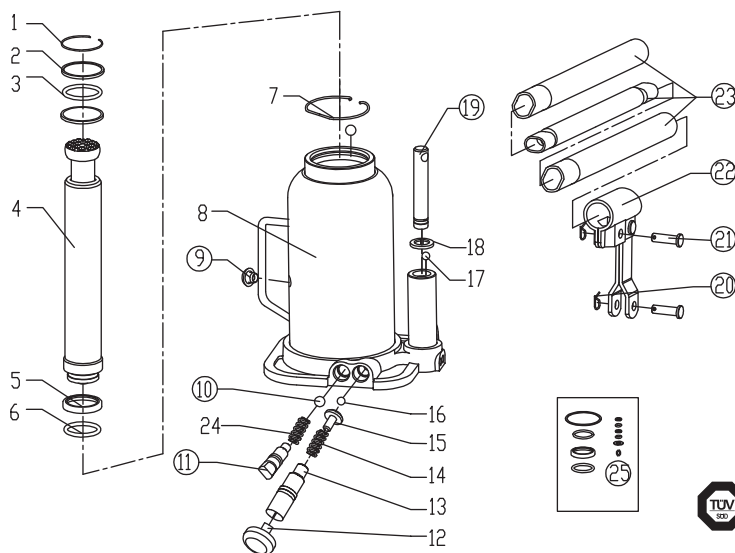
Ref.	Description	QTY
1	Roundwire snap ring	1
2	Rectangular ring	2
3	O-Ring	1
4	Ram assembly	1
5	Bowl washer	1
6	O-Ring	1
7	Roundwire snap ring	1
8	Base welding parts	1
9	Oil plug	1
10	Steel ball bearing Ø6mm	1
11	Release valve assembly	1
12	Plastic plug	1
13	Safety valve	1
14	Spring	1
15	Spring holder	1
16	Steel ball bearing Ø3mm	1
17	Steel ball bearing Ø5mm	2
18	Bowl washer	1
19	Pump plunger assembly	1
20	Reusable cotter pin Ø1.2x18mm	2
21	Pin	2
22	Handle socket assembly	1
23	Handle assembly	1
24	Spring	1
25	Seal kit	1

8tonne 10tonne



Ref.	Description	QTY
1	Roundwire snap ring	1
2	Rectangular ring	2
3	O-Ring	1
4	Ram assembly	1
5	Bowl washer	1
6	O-Ring	1
7	Roundwire snap ring	1
8	Base welding parts	1
9	Oil plug	1
10	Steel ball bearing Ø6mm	1
11	Release valve assembly	1
12	Plastic plug	1
13	Safety valve	1
14	Spring	1
15	Spring holder	1
16	Steel ball bearing Ø3mm	1
17	Steel ball bearing Ø5mm	2
18	Bowl washer	1
19	Pump plunger assembly	1
20	Reusable cotter pin Ø1.2x18mm	2
21	Pin	2
22	Handle socket assembly	1
23	Handle assembly	1
24	Spring	1
25	Seal kit	1

12tonne 20tonne



Ref.	Description	QTY
1	Roundwire snap ring	1
2	Rectangular ring	2
3	O-Ring	1
4	Ram assembly	1
5	Bowl washer	1
6	O-Ring	1
7	Roundwire snap ring	1
8	Base welding parts	1
9	Oil plug	1
10	Steel ball bearing Ø6mm	1
11	Release valve assembly	1
12	Plastic plug	1
13	Safety valve	1
14	Spring	1
15	Spring holder	1
16	Steel ball bearing Ø3mm	1
17	Steel ball bearing Ø5mm	2
18	Bowl washer	1
19	Pump plunger assembly	1
20	Reusable cotter pin Ø1.2x18mm	2
21	Pin	2
22	Handle socket assembly	1
23	Handle assembly	1
24	Spring	1
25	Seal kit	1

OPERATION

The owner and/or operator is responsible for providing maintenance, maintaining all decals or warning labels and while in use, always ensuring the unit is fit for good working order. If the operator is not fluent in English, the product warnings and instructions shall be read and discussed with the operator in the operator's native language by the purchaser/owner of the bottle jack.

The jack shall be inspected per the instruction manual prior to use.

It is the owners and/or operators' responsibility to study all warnings, operating and maintenance instructions contained on the product label and in this instruction manual, prior to the operation of this unit. The owner/operator shall retain all product instructions for future reference.

Raising the vehicle

1. Make sure the jack and vehicle are on a hard level surface.
2. Always set the vehicle parking brake and block the wheels.
3. Consult the vehicle owner's manual to ascertain the location of jack points and then position the jack beneath the prescribed lift point.
4. Orange cap covering the release valve must be removed before use.
5. Turn the release valve clockwise to the closed position, but do NOT overtighten.
6. When raising the jack place the handle into the socket and continue to pump up and down until desired vehicle height has been reached.
7. Place jack stands beneath the vehicle at locations recommended by the vehicle manufacturer.
8. Turn the release valve slowly counterclockwise to lower load onto jack stands.

Lowering the vehicle

1. Turn the release valve clockwise to the closed position.
2. Pump the handle to lift vehicle off of the jack stands.
3. Once lifted, remove the jack stands. Do not get under, or let anyone else under the vehicle whilst lowering.
4. Turn the release valve slowly counterclockwise to lower the vehicle onto the ground.

INSPECTION

This bottle jack shall be maintained in accordance with the product instructions. No alterations shall be made to the product and the following inspection must be followed prior to using the jack.

1. Before use, a thorough visual inspection of the jack should be made for abnormal conditions such as cracked welds, damage including bent, worn, loose or missing parts or any hydraulic leaks.
2. Inspections shall be performed in accordance with this instruction manual.
3. If the jack is believed to have been subject to an abnormal load or shock immediately discontinue use.
4. The jack will need to then be inspected thoroughly. It is recommended that this inspection is made by an authorized customer service representative prior to further use.

MAINTENANCE

Monthly maintenance is recommended. Lubrication is critical to jacks as they support heavy loads. Any restriction due to dirt, rust, etc. can cause either slow movement or can cause extremely rapid jerks,

damaging the internal components.

The following steps are designed to keep the jacks well lubricated:

1. Lubricate the ram, linkages, saddle and pump mechanism with light oil and grease wheel bearings and axles.
2. Visually inspect for cracked welds, bent, loose, missing parts or hydraulic oil links.
3. If jack is subjected to abnormal load or shock, remove from service and have it examined by a customer service representative before any further use.
4. Clean all surfaces and maintain all labels and warning notices.
5. Check and maintain the ram oil level.
6. Check ram at least every three months for any sign of rust or corrosion. Clean as needed and wipe with an oil cloth.
7. When not in use, always leave the saddle and ram all the way down.
8. Always store your jack in the fully lowered position. This will help protect critical areas from excessive corrosion.
9. Do not use brake or transmission fluids or regular motor oil as this can damage the seals. Only purchase and use products labeled 'Hydraulic Jack Oil'.

OIL LEVEL CHECKS

Checking and maintaining the ram oil level is essential for maintaining your bottle jack, ensure you follow the below oil level checking instructions regularly:

1. Turn the release valve counterclockwise to allow ram to fully retract. Note it may be necessary to apply force to the saddle for lowering.
2. With the jack in the level position, remove the oil fill plug.
3. Stand jack in a vertical position with handle socket down. The oil should be level with the bottom of the fill pole. If not, top up oil but do not over fill. Always fill with new, clean hydraulic jack oil.
4. Replace fill plug.
5. Check jack operation.
6. Purge air from system as required.

TROUBLE SHOOTING

For air purge trouble shooting

1. Turn the release valve counterclockwise one full turn to open.
2. Pump handle eight full strokes.
3. Turn release valve clockwise to close valve.
4. Pump handle until the ram reaches maximum height and continue to pump several times to remove any trapped air in the ram.
5. Carefully and slowly pinch oil fill plug to release any trapped air.
6. Turn release valve counter clockwise one full turn and lower ram to the lowest position. Use force if necessary.

7. Turn release valve clockwise to closed position and check for proper pump action. It may be necessary to perform the above more than once, to assure air is completely evacuated.

For all other trouble shooting problems

Other trouble shooting problems are listed below, follow the appropriate solutions after considering the causes of the problem:

Jack will not lift load	Jack will not hold load	Jack will not lower	Poor jack lifting	Will not lift to full extension	Causes and Solutions
X	X		X		Release valve is not completely closed. (Turn handle clockwise)
X					Weight Capacity Exceeded.
X			X		Air is in the hydraulics. Purge air from system.
X	X		X	X	Low oil level. Add oil as required.
		X			Oil reservoir is overfilled. Drain excessive oil. Lubricate moving parts.
		X			Jack is binding or foreign obstruction.
X	X		X		Power unit malfunctioning. Replace the power unit.

Safe Operating Temperature is between 40°F – 105°F (4°C - 41°C)