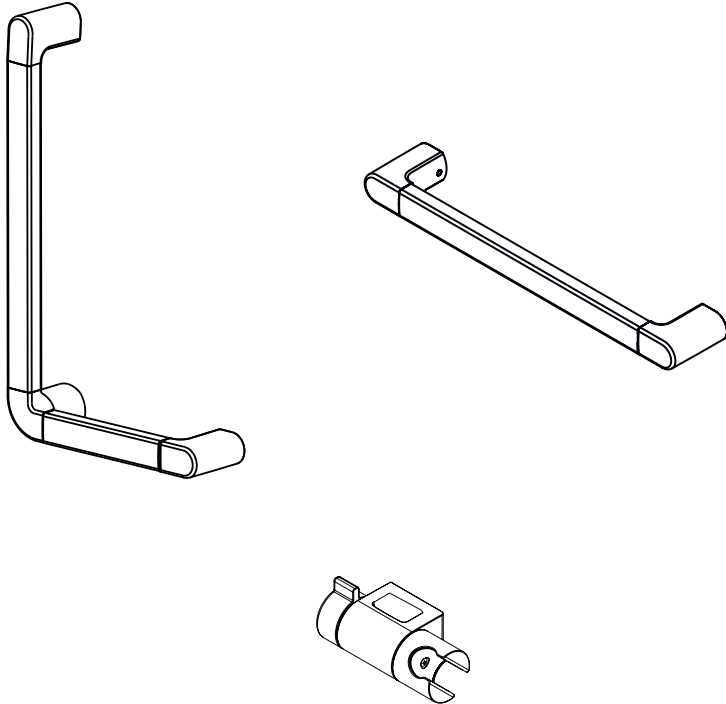


Mira Grab Bars



These instructions must be left with the user

Installation and User Guide

Showering perfection

mira
SHOWERS

Introduction

Thank you for purchasing a quality Mira product. To enjoy the full potential of your new product, please take time to read this guide thoroughly, having done so, keep it handy for future reference.

Safety Information

1. The product must be secured to a flat, sound and solid wall surface ('solid' means constructed of brick or high density concrete block).
Warning! All screws and wall plugs supplied must be securely fitted to the full depth.
Note! The product may be fixed to other wall types, but advice must be sought from a competent builder regarding wall structure and fastening prior to fitting. Cavities, voids, loose material, cables and pipes must be avoided when locating the fixing screws.
Note! Make sure that the fixings are located on an even surface and are way from irregularities e.g. grout lines.
Note! Do not fix the grab bar supports and tile up to them.
2. **Warning!** This product has been designed as a grab bar only and should not be used for any other purposes.
3. **Warning!** Incorrectly fitting the grab bar may result in injury to the user.
4. To ensure optimum support please decide with the user on the most appropriate position before fixing.
5. Maximum load of 95.25 kg (15 stone).
6. The grab bar is designed to be fitted horizontally or vertically.

- 6. Only the grab bar is designed as a load carrying support. Accessories attached, that may include a handset or shower hose will not offer the same load carrying capacity.

Guarantee

For **domestic installations**, Mira Showers guarantee the product against any defect in materials or workmanship for a period of **one year** from the date of purchase.

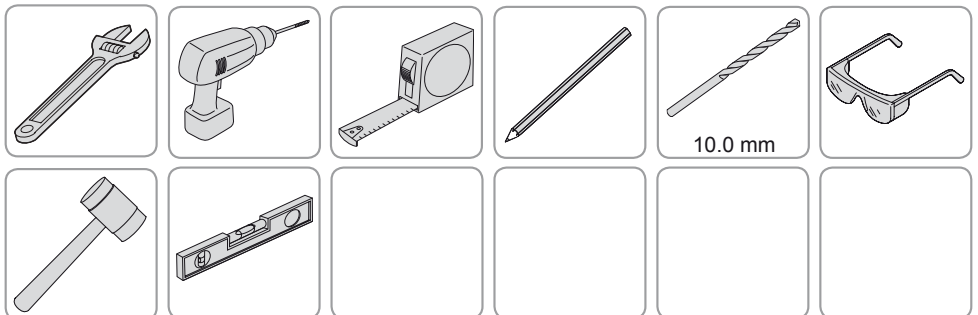
Failure to follow these instructions correctly will invalidate the guarantee

For Terms and Conditions refer to the website.

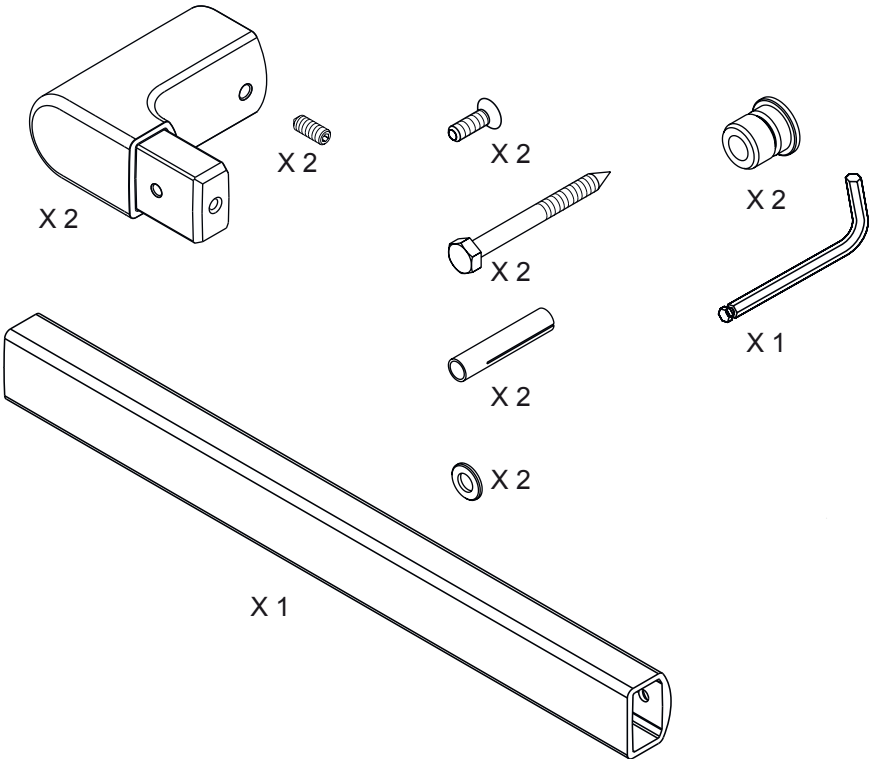
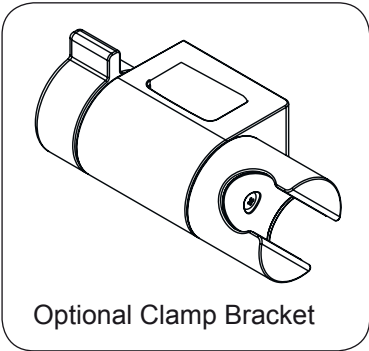
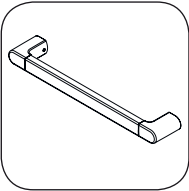
Recommended Usage

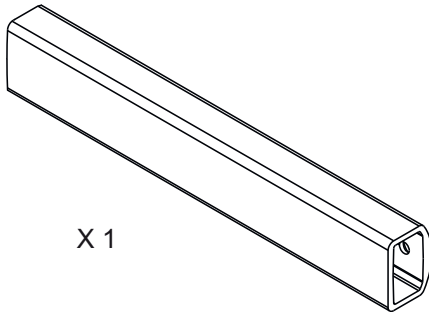
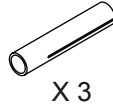
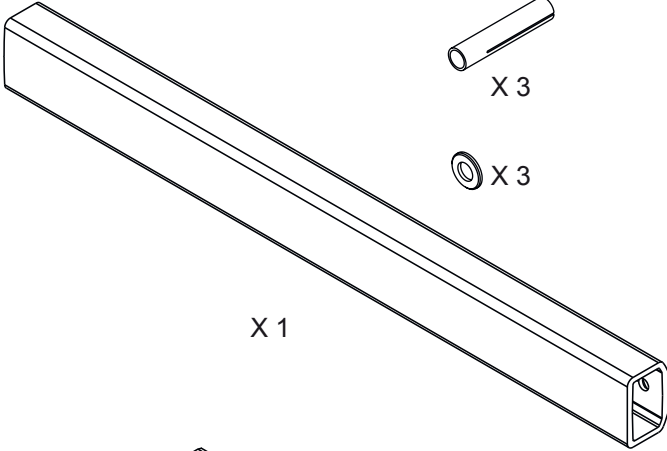
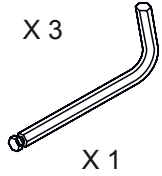
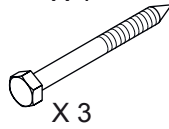
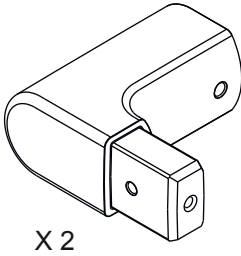
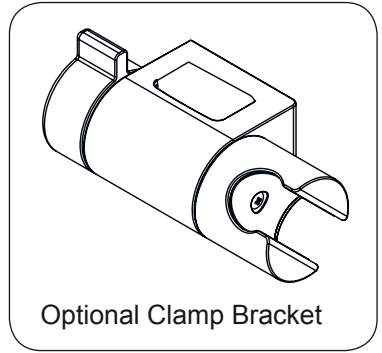
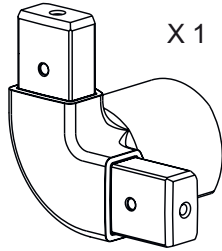
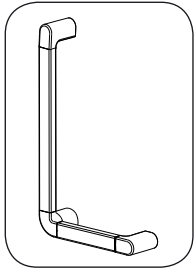
Domestic	✓	Light Commercial	✗
Heavy Commercial	✗	Healthcare	✗

Tools Required



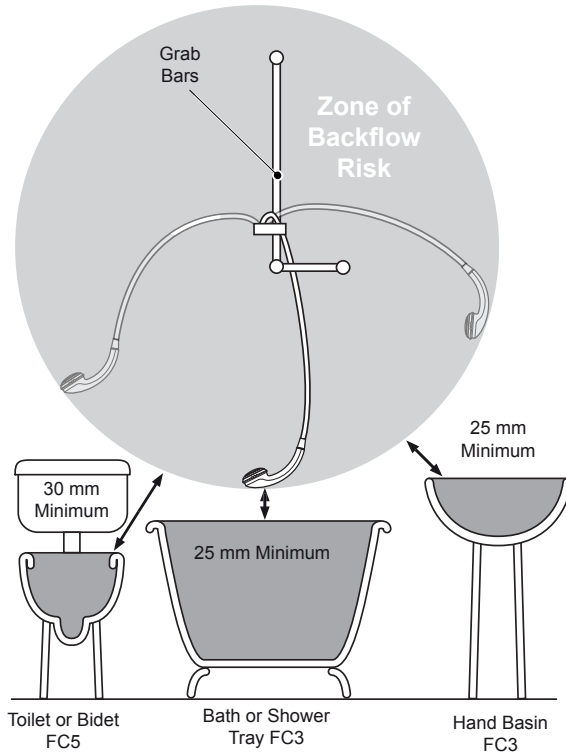
Pack Contents



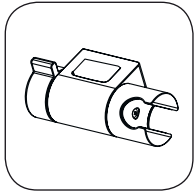


Installation

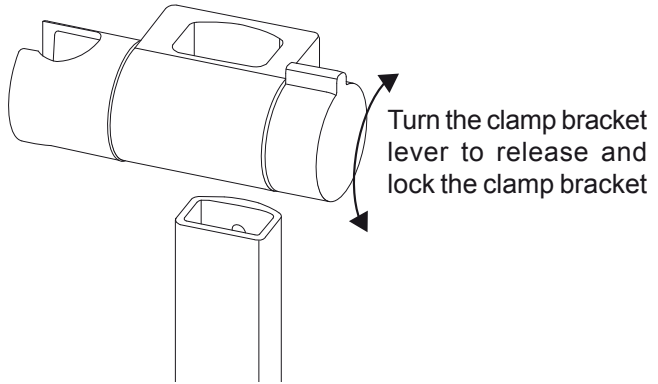
Note! If a clamp bracket is fitted to the grab bar then the position of the shower and shower fittings must provide a minimum gap of 25 mm between the showerhead and the spill over level of any bath, shower tray or basin and a minimum gap of 30 mm between the showerhead and the spill over level of any toilet, bidet or other appliance with a Fluid Category 5 backflow risk.



Note! There will be occasions when, for Fluid Category 3 installations, an outlet double checkvalve must be fitted, this will increase the required supply pressure typically by 10kPa (0.1 bar). Double check valves fitted in the inlet supply to the appliance cause a pressure build up, which affect the maximum static inlet pressure for the appliance and must not be fitted. For Fluid category 5 double check valves are not suitable.



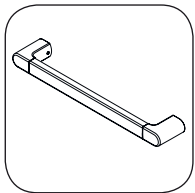
1



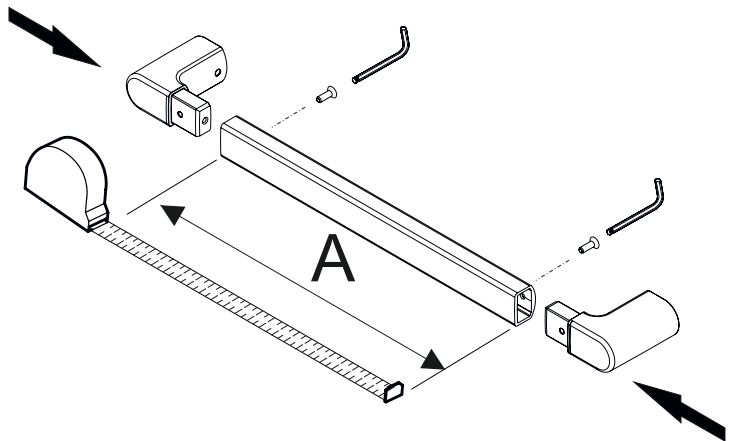
If required, install the clamp bracket on the end of the grab bar.

Note! Make sure that the clamp bracket and the end of the grab bar are in the correct orientation.

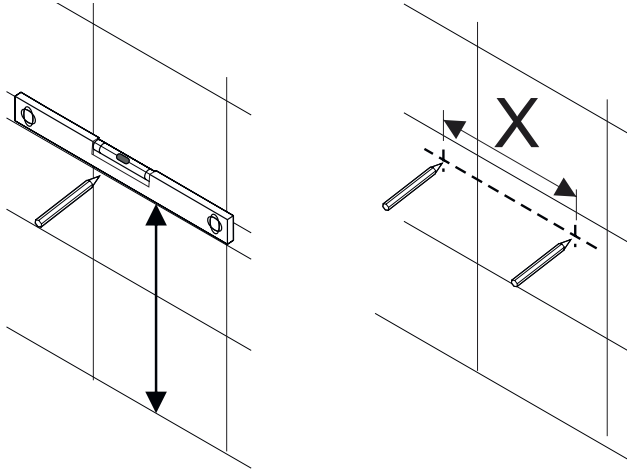
Note! The clamp bracket is suitable for use with most Mira hoses. Please see accessories if your hose does not fit correctly or a longer hose is required.



1

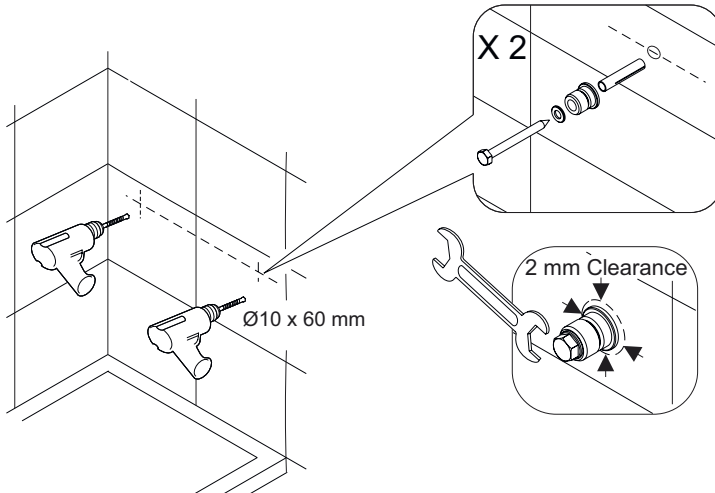


Measure the tube length 'A' and assemble the ends.

2

Mark the height of the grab bar on the wall and draw a straight level line.
Mark the positions of the fixing holes:

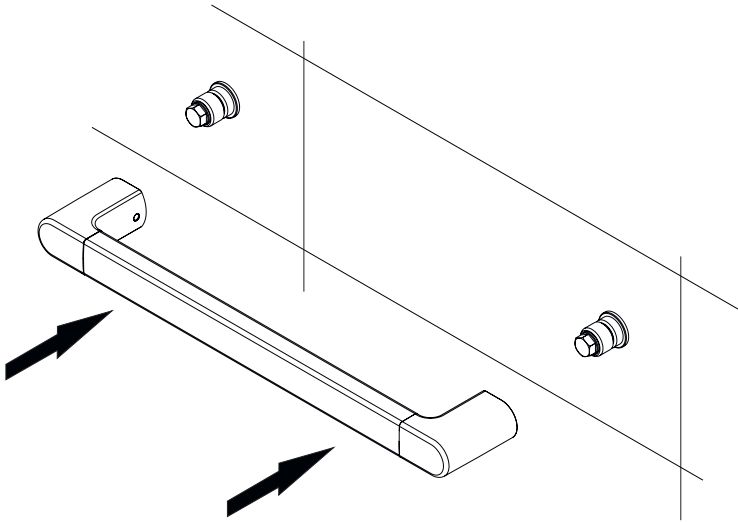
$$X = \text{tube length 'A' + 67 mm}$$

3

Warning! Make sure there are no buried cables or pipes in the wall before drilling.

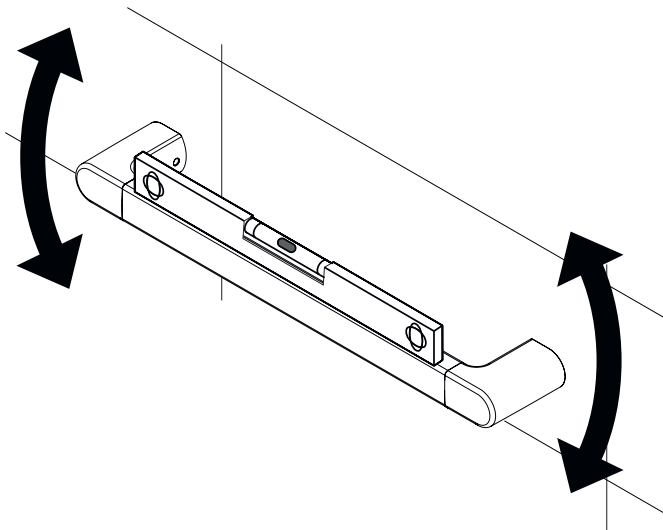
Drill the fixing holes to the dimensions shown using a suitable drill bit. Fit the support to the wall with the fixing bolt supplied. **DO NOT** tighten fully at this stage so that the grab bar can be levelled.

4



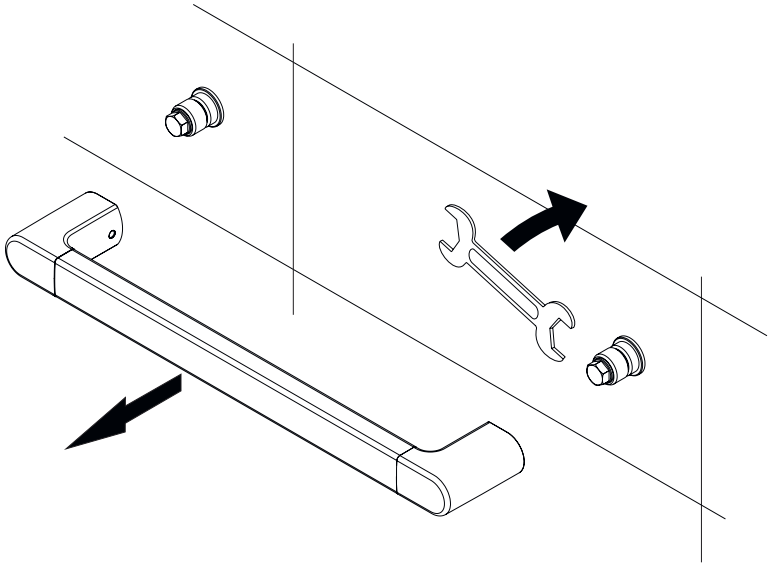
Install the grab bar over the supports.

5



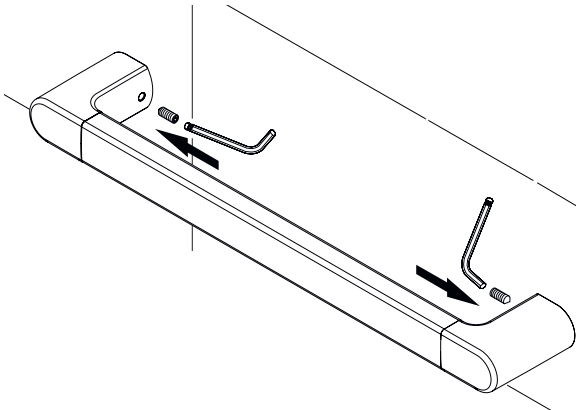
Align the grab bar making sure that it is level.

6



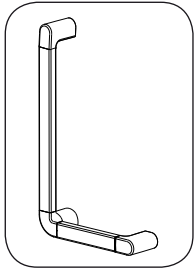
Remove the grab bar and **fully tighten** the supports.

7

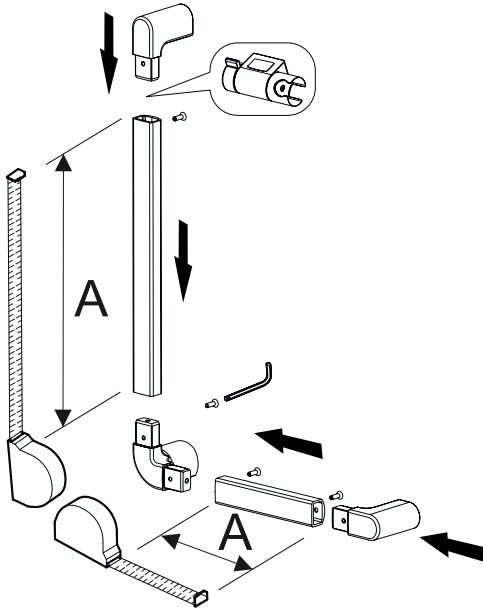


Note! Make sure that the grub screws locate correctly in the groove in the supports. If installed correctly the grub screws will be flush.

Install the grub screws and **fully tighten** to secure the grab bar in position.



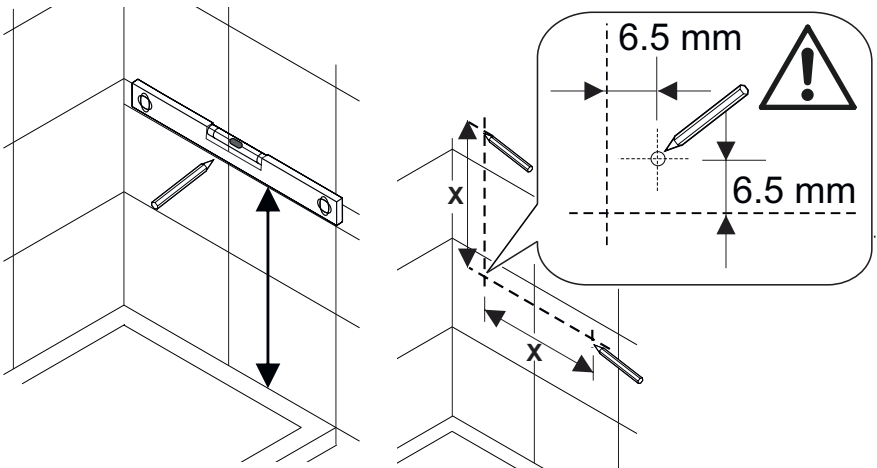
1



Measure the tube lengths 'A' and assemble the ends.

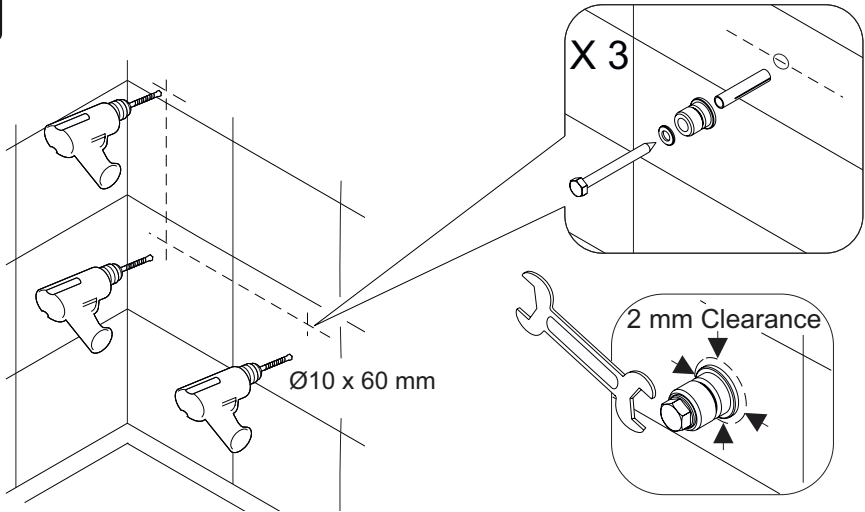
Note! If using the optional clamp bracket, fit before assembling the ends. Make sure that the clamp bracket and the end of the grab bar are in the correct orientation.

2



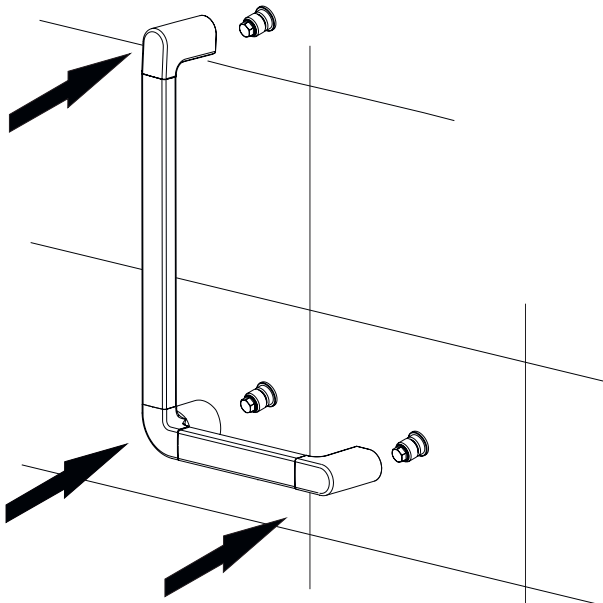
Mark the height of the grab bar on the wall and draw a straight level line.
Mark the positions of the fixing holes:

$$X = \text{tube length 'A'} + 67 \text{ mm}$$

3

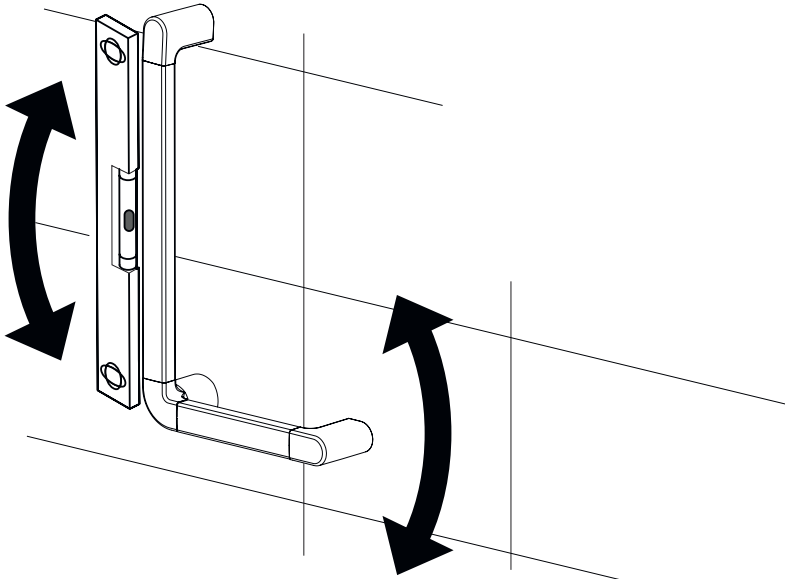
Warning! Make sure there are no buried cables or pipes in the wall before drilling.

Drill the fixing holes to the dimensions shown using a suitable drill bit. Fit the support to the wall with the fixing bolt supplied. **DO NOT** tighten fully at this stage so that the grab bar can be levelled.

4

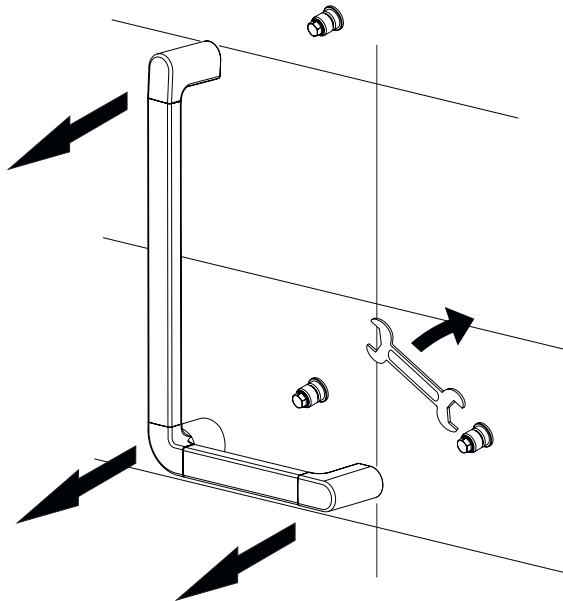
Install the grab bar over the supports.

5



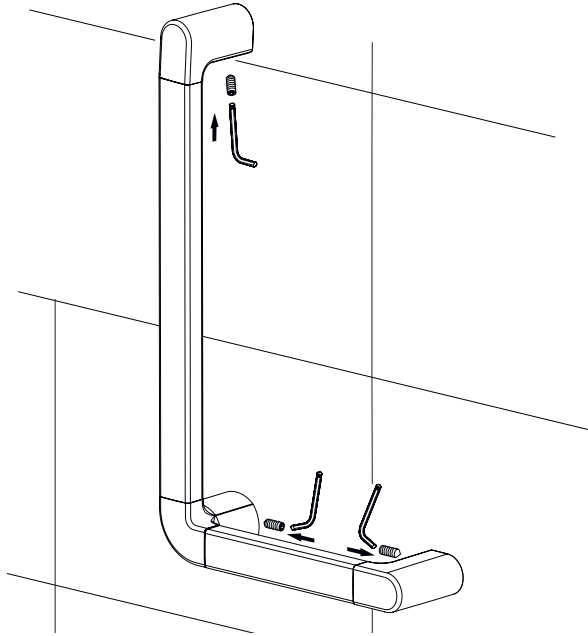
Align the grab bar making sure that it is level.

6



Remove the grab bar and **fully tighten** the supports.

7



Install the grub screws and **fully tighten** to secure the grab bar in position.

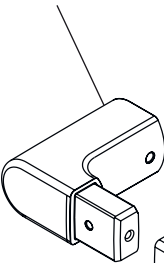
User Maintenance

Cleaning

Many household cleaners contain abrasives and chemical substances, and should not be used for cleaning plated or plastic fittings. These finishes should be cleaned with a mild washing up detergent or soap solution, and then wiped dry using a soft cloth.

Spare Parts

1888.012
End Connector

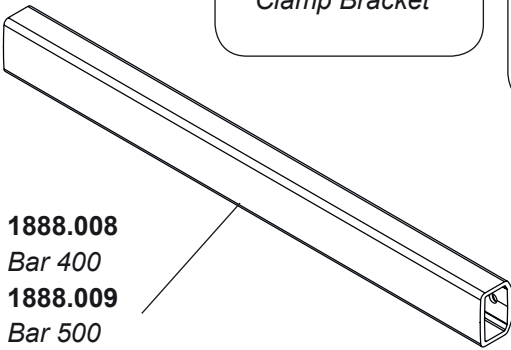


Optional Accessory

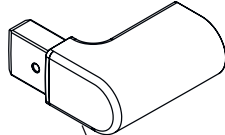
1888.007
Clamp Bracket

Optional Accessory

1605.139
1.75 m Hose
1605.166
1.25 m Hose



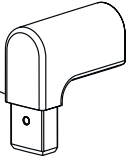
1888.008
Bar 400
1888.009
Bar 500
1888.010
Bar 600



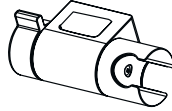
1888.012
End Connector

1888.013
Screw Pack - End Connector

1888.012
End Connector

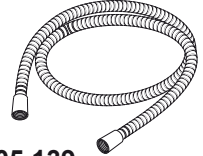


Optional Accessory



1888.007
Clamp Bracket

Optional Accessory

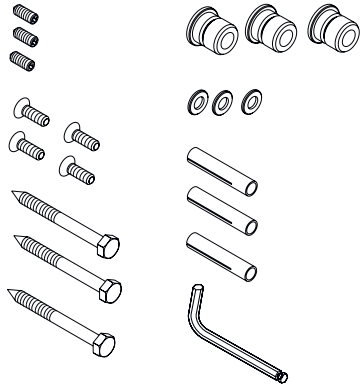


1605.139
1.75 m Hose
1605.166
1.25 m Hose

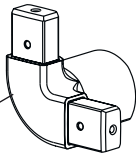


1888.011
Bar 700

1888.015
Screw Pack - Corner Connector



1888.014
Corner Connector



1888.008
Bar 400



1888.012
End Connector

Notes

Customer Services

Guarantee

Your product has the benefit of our manufacturer's 1 year guarantee which starts from date of purchase. Within the guarantee period we will resolve defects in materials or workmanship, free of charge, by replacing parts or product as we may choose.

This guarantee is in addition to your statutory rights and is subject to the following conditions :

- The product must be installed and maintained in accordance with the instructions given in this user guide.
- Replacement under this guarantee does not extend the original expiry date. The guarantee on any replacement parts or product ends at the original expiry date.

The guarantee does not cover:

- Non product faults (such as damage or performance issues arising from incorrect installation, improper use, inappropriate cleaning, lack of maintenance, build up of limescale, frost damage, corrosion, chemical attack, system debris or blocked filters) or where no fault has been found with the product.
- Accidental or wilful damage.
- Compensation for loss of use of the product or consequential loss of any kind.
- Damage or defects caused if the product is repaired or modified by persons not authorised by us or our appointed representative.

What to do if something goes wrong

If your product does not function correctly when you first use it, check that it is installed and commissioned in accordance with the instructions in this manual.

If this does not resolve the issue, contact us for help and advice.



Helpdesk Service

Contact our Customer Service Team for product advice, to purchase spare parts or accessories or to request a service visit. You can contact us via phone or e-mail - contact details below. Please provide your model name, power rating (if applicable) and date of purchase.



Mira Showers Website (www.mirashowers.co.uk)

Visit our website to register your guarantee, download user guides, diagnose faults, purchase our full range of accessories and popular spares, or request a service visit.



Spares and Accessories

We hold the largest stocks of genuine Mira spares and accessories. Contact us for a price or visit our website to purchase items from our accessory range and popular spares (Only available in the United Kingdom.)

To Contact Us: UK



0844 571 5000

Please note: Calls cost 7p per minute plus your phone company's access charge.



01242 282595



Email - Visit

www.mirashowers.co.uk/contactus



By Post:

Mira Customer Services Dept, Cromwell Road,
Cheltenham, Gloucestershire, GL52 5EP

To Contact Us: Eire Only



01 531 9337



Email -

CustomerServiceEire@mirashowers.com

*Mira is a registered trade mark of
Kohler Mira Limited.*

*The company reserves the right to alter
product specifications without notice.*



mira
SHOWERS