



It's water. Refreshed.

Zip Hydroboil

On wall boiling water.

Model number:

301552, 303552, 305552, 307552, 310552, 315552, 325552, 340552



Table of contents

Intended Use	2
Warnings and precautions	3
Before installation.....	4
Technical specification	5
Installation instructions	
Before you begin	6
Step 1 - Position the Hydroboil	
Positioning.....	6
Step 2 - Fasten to the wall	
Fastening	6
Step 3 - Connection and venting	
Plumbing connections	8
Venting	8
Electrical connections	9
Step 4 - Assembly	
Assembly.....	10
Step 5 - Commission the Hydroboil	
Earth continuity verification	11
Turn the mains power and water on.....	11
Trouble shooting	
Trouble shooting table.....	12
Operation	
Operation	12
Appendix	
Mounting templates.....	13
Spare parts.....	15
End of life disposal	19
Cleaning	19
Contact details	20

For list of models falling within the scope of this manual, please refer to the Technical specification table, page 5.

Intended use

This appliance is intended to be used in commercial applications such as:

- Staff kitchens, shops, offices and other working environments.
- Small hotels and bed and breakfast type environments.
- Catering and similar non-retail applications.



This manual contains important safety and installation instructions for the Zip Hydroboil. Please read all warnings, installation requirements and installation instructions before installing any Zip Hydroboil. This system must be installed in accordance with water supply byelaws, current IEE regulations and relevant local authority byelaws.

Warnings

- ⚡ The Zip Hydroboil must be earthed. The resistance of the earth connection from each exposed metal part must be less than 1Ω.
- All installation and service work must be completed by trained and suitably qualified tradespeople. Faulty operation due to unqualified persons working on this product, or any other Zip product may void warranty coverage.
- Never attempt to install a Zip Hydroboil instant boiling water heater without reading all of the applicable instructions.
- Do not remove the cover of the Hydroboil under any circumstances without first isolating it from the power supply.
- In hard water areas mineral scale accumulation in the boiling chamber of the Zip Hydroboil may become a problem, consideration should be given to the maintenance required. A suitable form of water treatment may be necessary.
- The Zip Hydroboil instant boiling water heater is not intended for use by young children or infirm people without supervision.
- Young children should be prevented from having access to ensure that they are not able to use or play with the Hydroboil.
- Do not use strong, corrosive or abrasive cleaners to clean the case of the Hydroboil.
- The ambient temperatures this Hydroboil must operate within is 5°C - 50°C.
- The Hydroboil is intended only for indoor use and should never be installed outdoors or be exposed to the elements of nature.
- This Hydroboil must not be positioned in an area that may be cleaned by a water jet. The Hydroboil must not be cleaned by a water jet.
- As the installer, it is your responsibility to supply (if necessary) and install all valves as required by local regulations and relevant standards.
- The Hydroboil is rated for 230V 50Hz AC operation.
- Due to the process of continuous improvement, Zip reserves the right to change details mentioned in this manual, without notice.
- Visit www.zipwater.co.uk to ensure you have the latest copy of this document.

Safety

This appliance is not intended for use by persons (including children) with reduced physical, sensory or mental capabilities, or lack of experience and knowledge, unless they have been given supervision or instruction concerning use of the appliance by a person responsible for their safety. For products sold in Europe, this appliance can be used by children aged from 8 years and above and persons with reduced physical, sensory or mental capabilities or lack of experience and knowledge if they have been given supervision or instruction concerning use of the appliance in a safe way and understand the hazards involved. Children should be supervised to ensure that they do not play with the appliance. Cleaning and user maintenance shall not be made by children.

This appliance is intended to be used in commercial applications.

Qualifications

If the power cable is damaged it must be repaired only by a qualified technician. To avoid hazards, all installation procedures must be carried out by a suitably qualified tradesperson.

Venting

Occasionally steam and / or boiling water may discharge through a vent outlet or the tap. Ensure the tap body is located so the tap outlet safely dispenses into the drip tray or sink bowl area, and that the vent is plumbed to a safe location, see page 8.

Lifting

Take care when lifting. The Hydroboil may exceed safe lifting limits. If you feel this is beyond your personal capabilities, please seek assistance with the lift. Do not lift the Hydroboil by the tap, fascia or any of its connections. Refer to the Technical specification, page 5 for the weight of the product.

Positioning

It is important to ensure the Hydroboil is positioned in an accessible area. The Hydroboil must have its base mounted in a horizontal position.

Before installation



Before installation ensure that provision has been made for the following

- Review of all the technical specifications.
- Ensure the mounting wall can support the product weight when full of water (See Technical specification, page 5).
- Sufficient space to install the Hydroboil and other components in accordance with these installation instructions.
- Position the heater so there is at least 150 mm clearance above the heater for service access, 65 mm to its left and 20 mm to its right – the tap nozzle is usually positioned nominally 360 mm above a draining board, drip tray or sink bowl area.
- For under 3kW rated models Zip Hydroboil models user easy accessible 1 x 230V AC 13A double pole isolation switch, or socket (correctly rated for the appliance) is required.
For 5.6kW rated models connect via a separate 230V AC ring main rated at no less than 32A isolated by a user easy accessible double pole isolation switch.
- The Hydroboil must be connected in accordance with IEE regulations. See

Before installation

Technical specification, page 5 for power ratings.

Note Check cable and plumbing against inlet /outlet positions before proceeding.

- A wholesome water supply connection with isolating valve within reach of the Hydroboil and positioned so that the stop cock will not be obstructed when the Hydroboil is installed.
- Vent / outlet drainage to a draining board, drip tray or sink bowl area.
- A wholesome cold water supply with a minimum working pressure of:
(see Technical specification, below min. / max. water supply pressure).
- A 0.35 MPa (3.5 bar) pressure limiting valve supplied must be fitted if the incoming mains water pressure is likely to exceed 0.5 MPa (5.0 bar).
- The Hydroboil must be placed with its base in a horizontal position.

IMPORTANT! Do not proceed with the installation if these requirements are not met.

Technical specification

Product code	Tank size (litres)	Heat up time (Inlet 15°C)	Heat up time (Inlet 10°C)	Rated voltage and power	Dimensions (mm) W x D x H	Filled weight(Kg)
301552	1.5	10mins	11mins	220-240V, 50Hz, 1400W	289 x 180 x 335	10.0
303552	3.0	16mins	17mins	220-240V, 50Hz, 1400W	289 x 180 x 431	12.5
305552	5.0	16mins	17mins	220-240V, 50Hz, 2200W	318 x 198 x 465	16.5
307552	7.5	23mins	23mins	220-240V, 50Hz, 2200W	318 x 198 x 578	20.5
310552	10.0	38mins	40mins	220-240V, 50Hz, 2800W	390 x 244 x 600	29.5
315552	15.0	40mins	43mins	220-240V~, 50Hz, 2800W	390 x 299 x 600	34.5
325552	25.0	47mins	50mins	220-240V~, 50Hz, 2800W	390 x 299 x 780	47.0
340552	40.0	60mins	64mins	380-415V, 2N~, 50Hz, 5600W	515 x 284 x 840	71.0

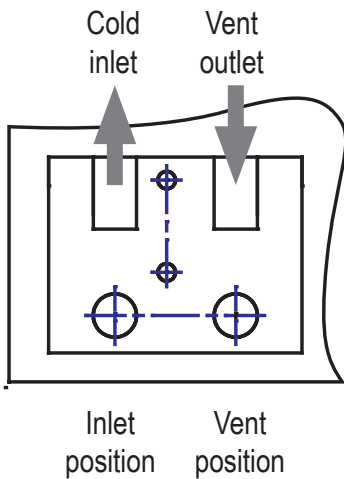
Min / Max water supply pressure

Hydroboil.....0.07 MPa (0.7 bar) - 0.5 MPa (5.0 bar)



WARNING ! If the incoming mains water pressure is likely to exceed 0.5 MPa (5.0 bar), a 0.35 MPa (3.5 bar) pressure limiting valve must be installed in the cold water supply line.

Note Optional Water Block is recommended to be fitted in the water supply line to minimise the potential damage in the event of leakage, call Zip on 0345 6 005 005.

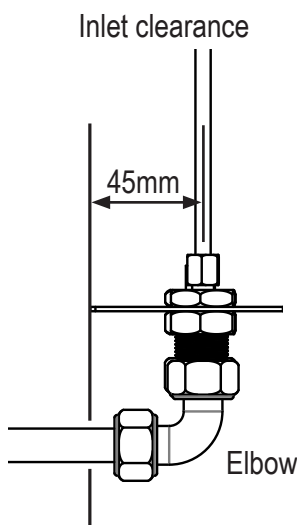


Before You Begin

- Locate the paper mounting-hole template packed with the Hydroboil. (Also see pages 13, 14).
- Read the installation and operating instructions completely.
- Decide whether to install with concealed or exposed plumbing connections.
- Concealed connections are preferred for superior appearance.

Step 1 – Positioning

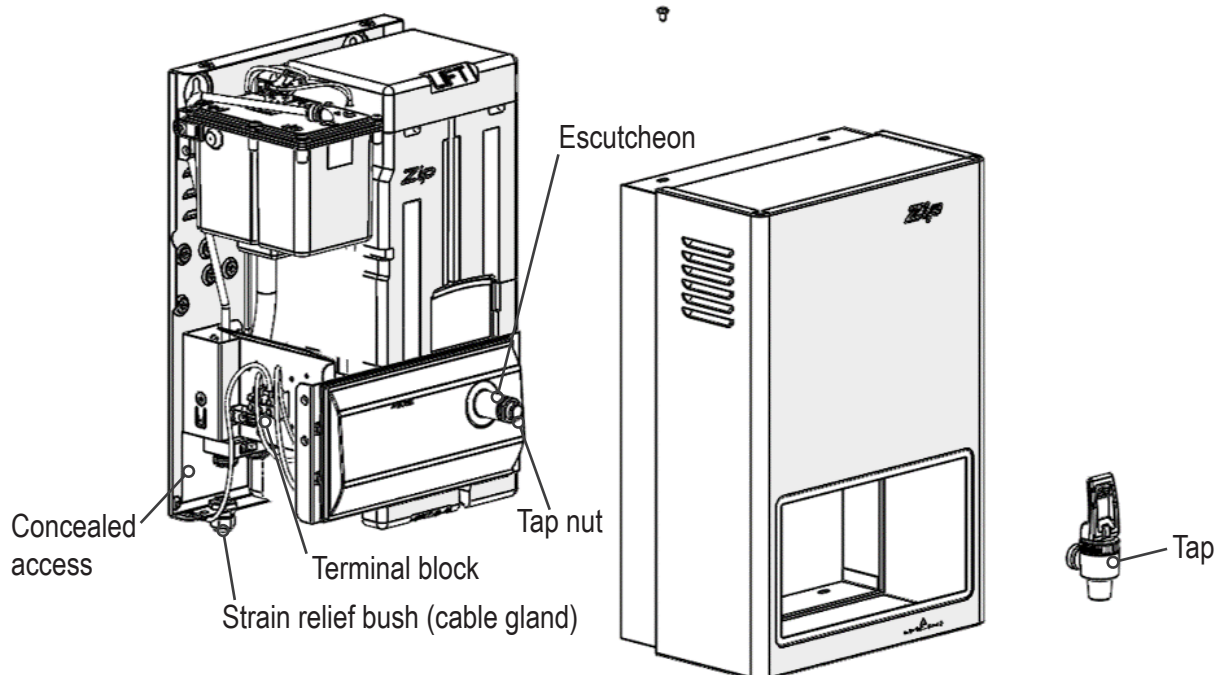
- Position the Hydroboil so the spout will drain onto a draining board or drip tray.
- Position the base of the tap nozzle to be not less than 280mm (nominally 360mm) above the draining board (height should be increased only if essential for filling larger vessels).
- Provide clearance for service access of not less than 150mm top, 65 mm left, 20mm right.
- Mark corner positions for the Hydroboil on the wall in order to position the paper mounting-hole template.



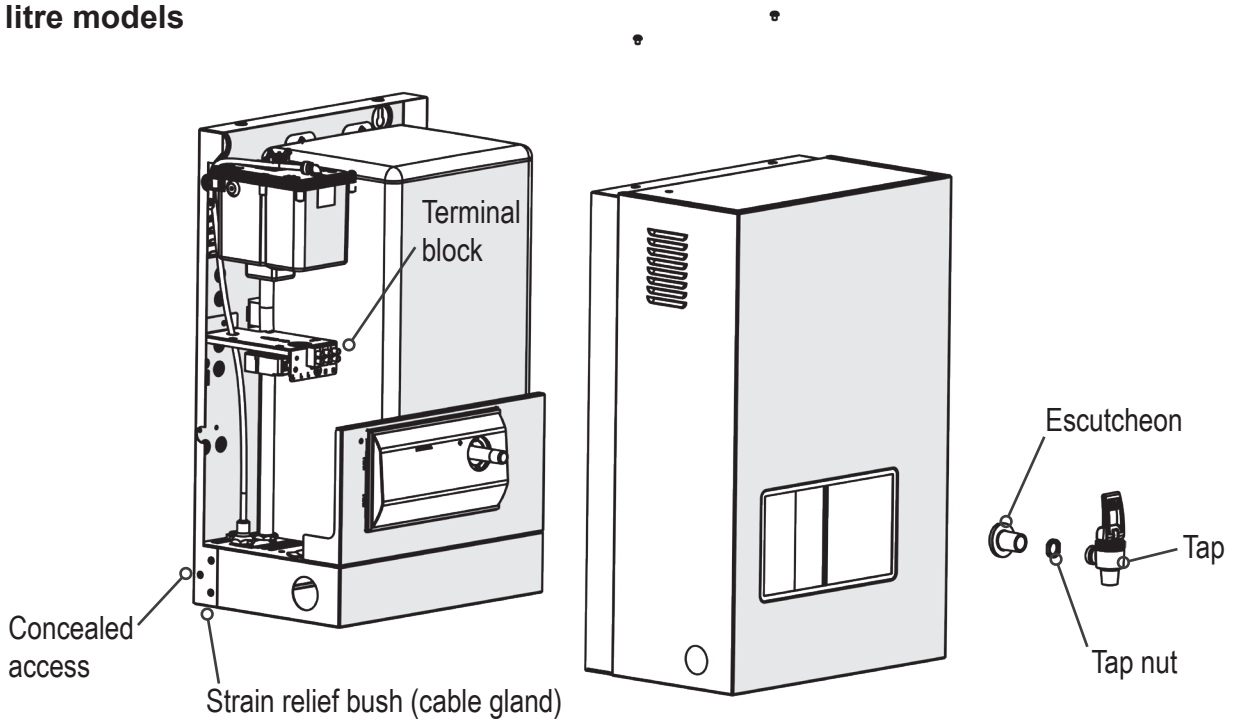
Step 2 – Fastening

- Position mounting-hole template on wall and drill holes where shown.
- Drill holes for water inlet and vent outlet if rear access is intended.
- Install plumbing and wiring and prepare pipe ends as shown adjacent & on page 8.
- Remove cover fastening screws from Hydroboil and lift off cover.
- Screw Hydroboil chassis to the wall using screws or bolts suited to the wall, (supplied).
- Fasteners must be able to support the product weight when full, (see Technical specification, page 5).

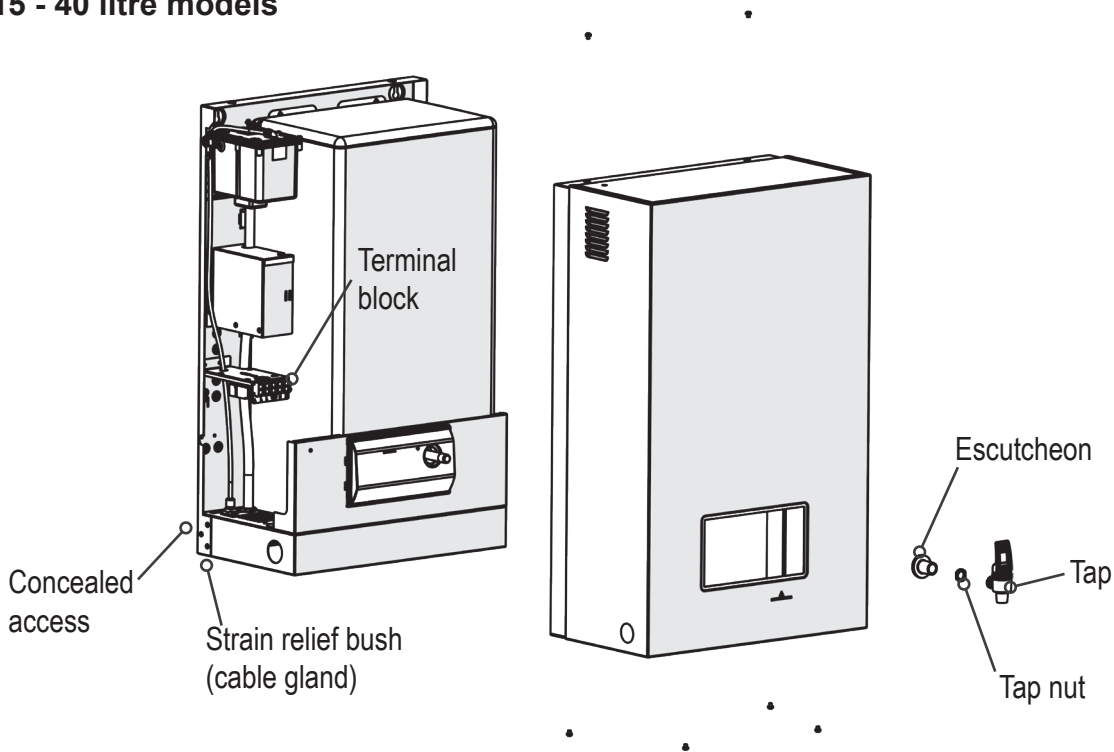
3 to 7.5 litre models

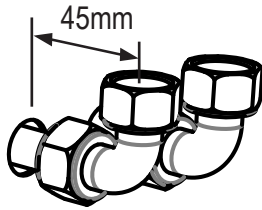


10 litre models



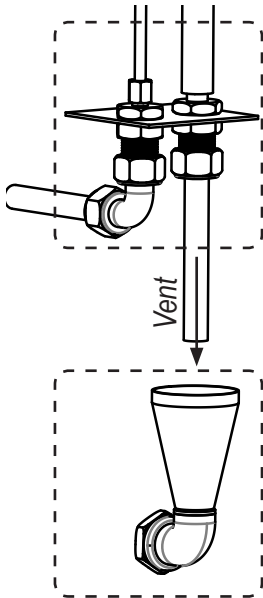
15 - 40 litre models





Concealed Inlet Concealed vent

Internal bulkhead connections



External tundish

Step 3 – Connecting

Plumbing

- For exposed plumbing connection, connect the cold water inlet pipe from the base of the Hydroboil directly to the 1/2" BSP compression fittings with nuts and olives supplied.
- For concealed plumbing connections, connect the cold water pipe through the rear of the chassis using a 1/2" BSP capillary elbow.
- Cold water pipes must be flushed before connection to the inlet. Any clogging due to sediment or fines will adversely affect the operation of the Hydroboil.
- The Hydroboil must be installed with an isolating valve which allows it to be isolated from the mains water supply for servicing.
- Water pressure requirements. (See Technical specification , page 5).

Venting

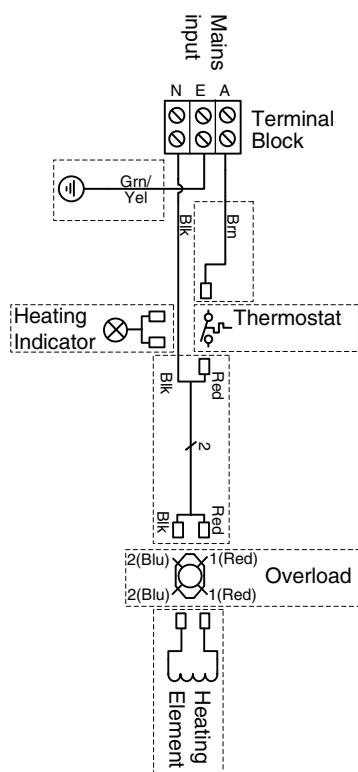


The Hydroboil is an open vented water heater, and as such it is essential to provide an air gap in the venting arrangements, as shown in the adjacent diagram.

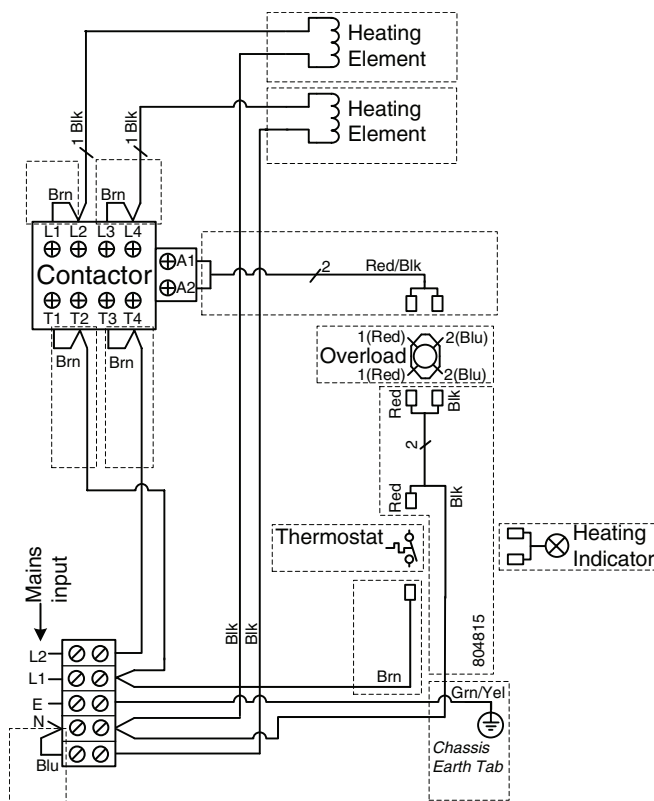
- A vent at the base of the Hydroboil must be plumbed to a safe location as, under certain conditions, it may discharge cold, boiling water and/or steam.
- For concealed or exposed vent plumbing, connect vent outlet from the base of Hydroboil to a Ø15 mm pipe which has a continuous fall, is no more than 3m long, has no more than 3 right angle bends, and discharges to a waste water drain. (the vent outlet must be visible).
- For concealed vent plumbing, direct the vent outlet from the rear of the Hydroboil.
- Alternatively install a visible tundish. (see adjacent diagram) and plumb to trapped waste.

Electrical

Electrical circuit diagrams



Single Element models up to 3kW



40 litre model with contactor

Electrical connection

Cable rating



- Connect products rated under 3kW via a 3 core cable, minimum cross sectional area of 1.5mm².
- Connect 5.6kW rated products on dedicated ring main, via a 3 core cable, minimum cross sectional area of 4.0mm².
- Refer to current IEE guidelines for cable size and selection to ensure suitability for local installation conditions.

Exposed electrical connection

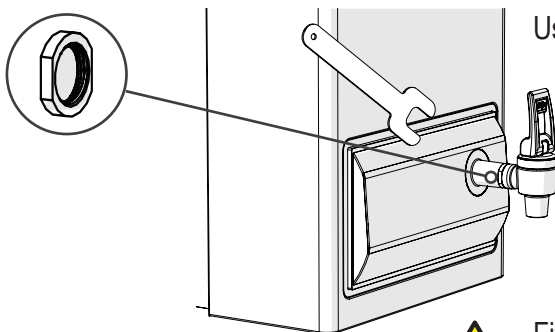
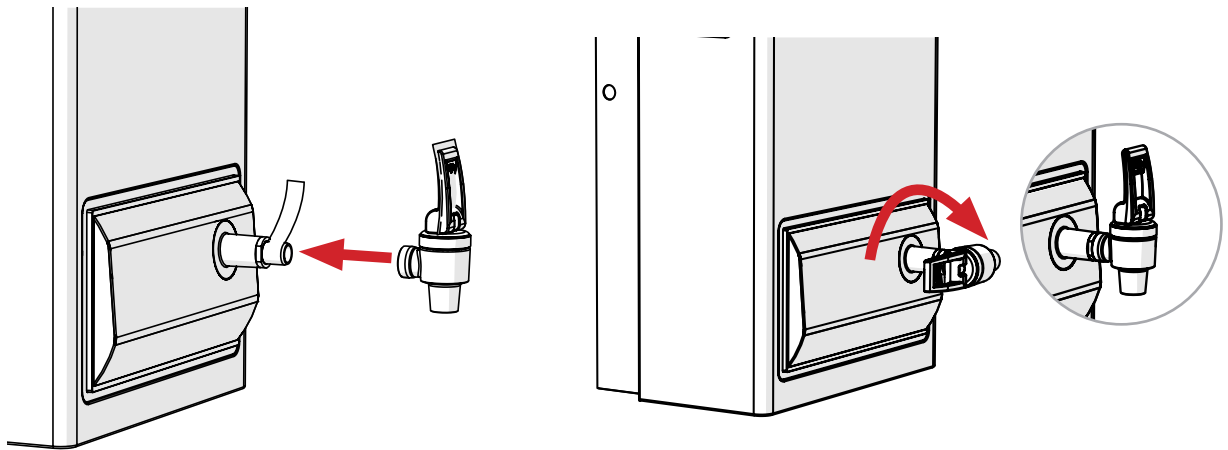
- Connect the cable to the terminal block, via the strain relief bush. (See diagrams above and pages 6 to 7).
- Tighten the strain relief bush, to secure the cable.

Concealed electrical connection

- Connect the concealed power cable through the rear access opening to the terminal block, via the strain relief bush. (See diagrams above and pages 6 to 7).
- Tighten the strain relief bush, to secure the cable.
- Do not turn the power ON until the Hydroboil can dispense water from the tap outlet.
- Verify the earth continuity (see page 11).

Step 4 - Assembly

- Refit the outer case and secure the 2 sets of screws top and bottom (see page 6 to 7).
- Before installing the tap, ensure enough P.T.F.E thread tape is applied to the thread.
- With the cover on, fit the red escutcheon over the outlet tube, secure with the locknut.
- Screw the tap assembly clockwise onto the outlet tube until it touches the escutcheon locknut. Continue to turn the tap until the handle is fully vertical. Tighten the locknut against the tap with spanner provided.



Use the spanner provided to tighten the lock nut.



Fit the boiling water safety label supplied in a prominent visible position for users of the Hydroboil

Step 5 – Commissioning

- Check previous steps.
- Check the earth continuity (see below).



Warning! This appliance must be earthed

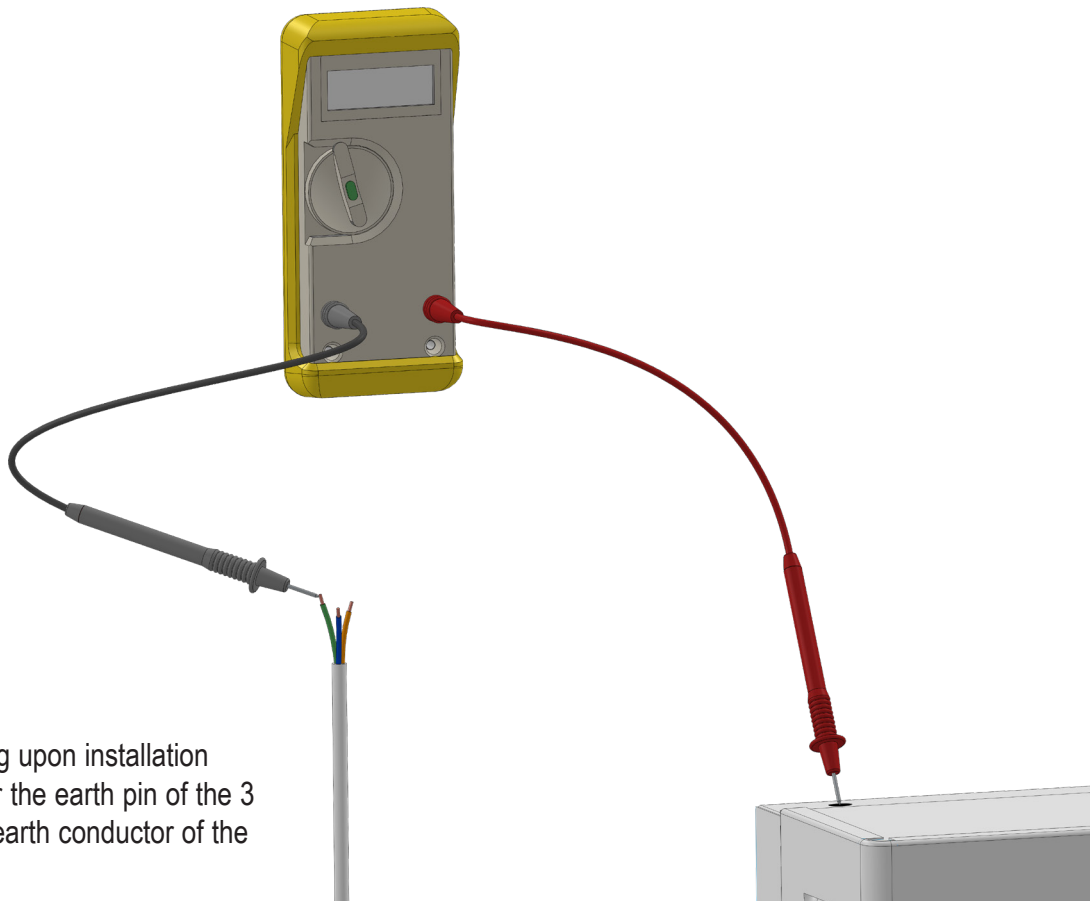
Upon installation or following service, the earthing continuity of the Hydroboil must be tested by a qualified technician using a resistance meter of minimum accuracy of 5% full scale deflection.

- Isolate power supply.
- Verify meter ohms range, connect leads together, reading should be 0 ohms.
- Connect one test lead to the earth of the power lead.
- Connect the other test lead to a cover fixing screw, then the tap.



Warning ! The water may be boiling

- Verify that in every instance the electrical resistance does not exceed 1 ohm.



Note depending upon installation connect to either the earth pin of the 3 pin plug, or the earth conductor of the mains cable.



Do not turn the power ON until the Hydroboil can dispense water from the tap outlet.

- Turn water supply ON. Water will flow into the Hydroboil, check connections for leaks. Wait approximately 5 minutes then pull the tap forward to test for water flow.
- Turn the mains electrical power ON only after the water flows freely from this outlet.
- After a short period, boiling water will be available and will be maintained close to boiling point thereafter.

Trouble-shooting table

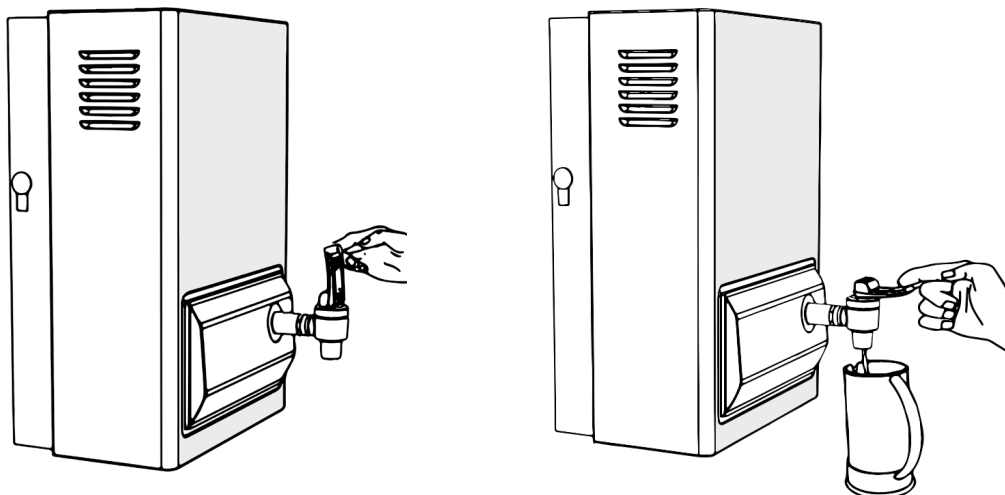
Symptom	Possible cause	Solution
Fails to dispense water.	Water isolating valve turned off. Blocked filter, blocked meter tube, blocked strainer, jammed ball valve assy, airlock in transfer tube.	Check water supply valve. Contact Zip authorised agent.
Water not boiling.	No power. Faulty thermostat, faulty element, faulty cut-out.	Check power supply. Contact Zip authorised agent.
Runs out of boiling water and fails to refill. Outlet tap drips. Overflow from vent. Excessive steam from vent. Power "on" but no heat. Overload repeatedly tripping with excessive steam. Overload repeatedly tripping without excessive steam.	Internal adjustment, blocked vent, vented incorrectly (see page 8)	Contact Zip authorised agent.

Operation

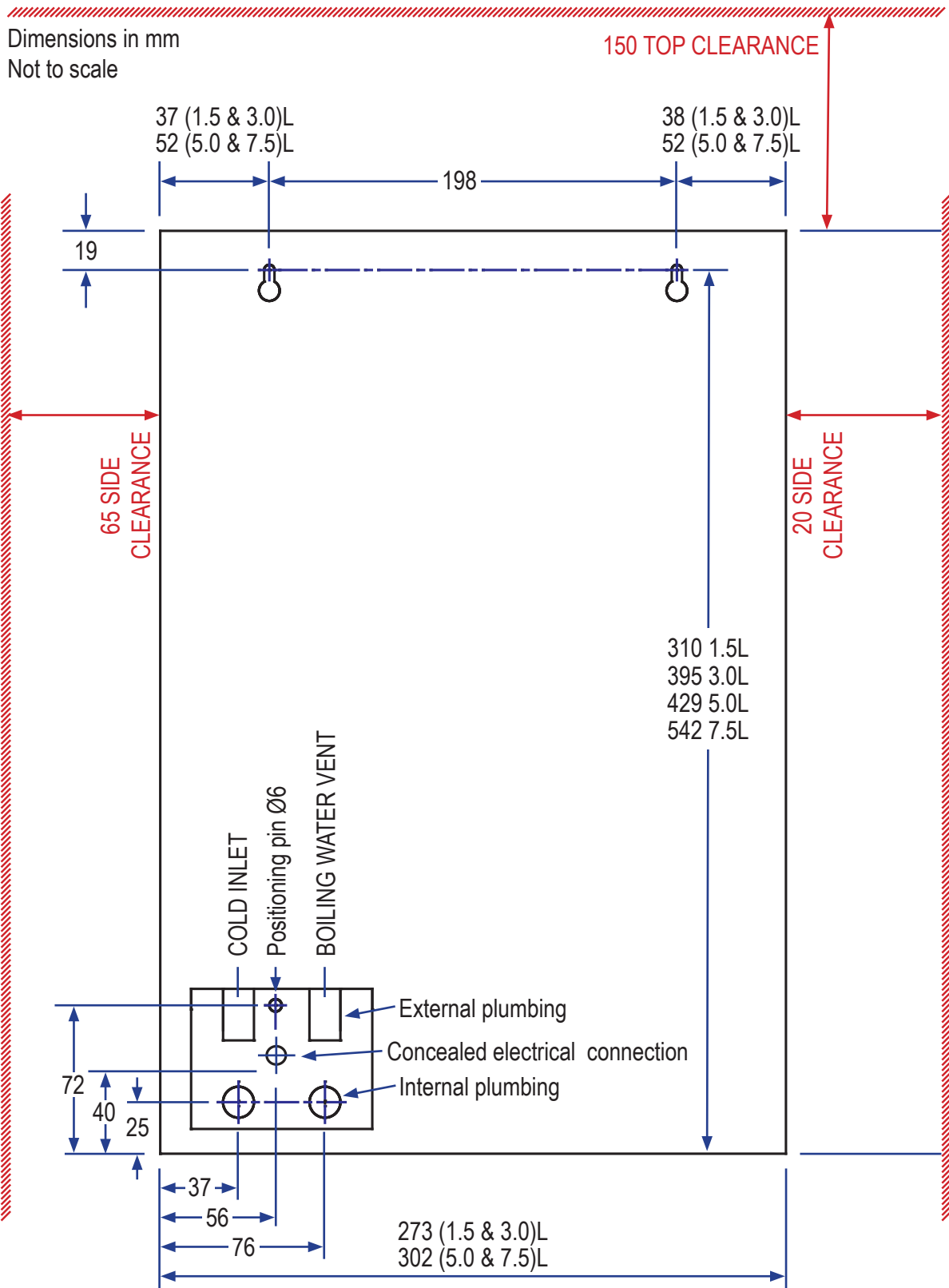
Tap Operation

Boiling water

- Zip Hydroboil is fitted with a two-way tap for instant boiling water.
- For instant boiling water, gently pull the top of the tap forward.
- Boiling water will flow until the tap handle is released.
- This operation gives fingertip flow control for safe filling of cups and mugs.
- To fill larger vessels such as teapots and saucepans, rotate the tap 180° and depress it until it locks into a horizontal position. Boiling water will flow until the tap is returned to its normal vertical position.
- This operation allows the vessel to be filled without holding your hand where it may be affected by steam.

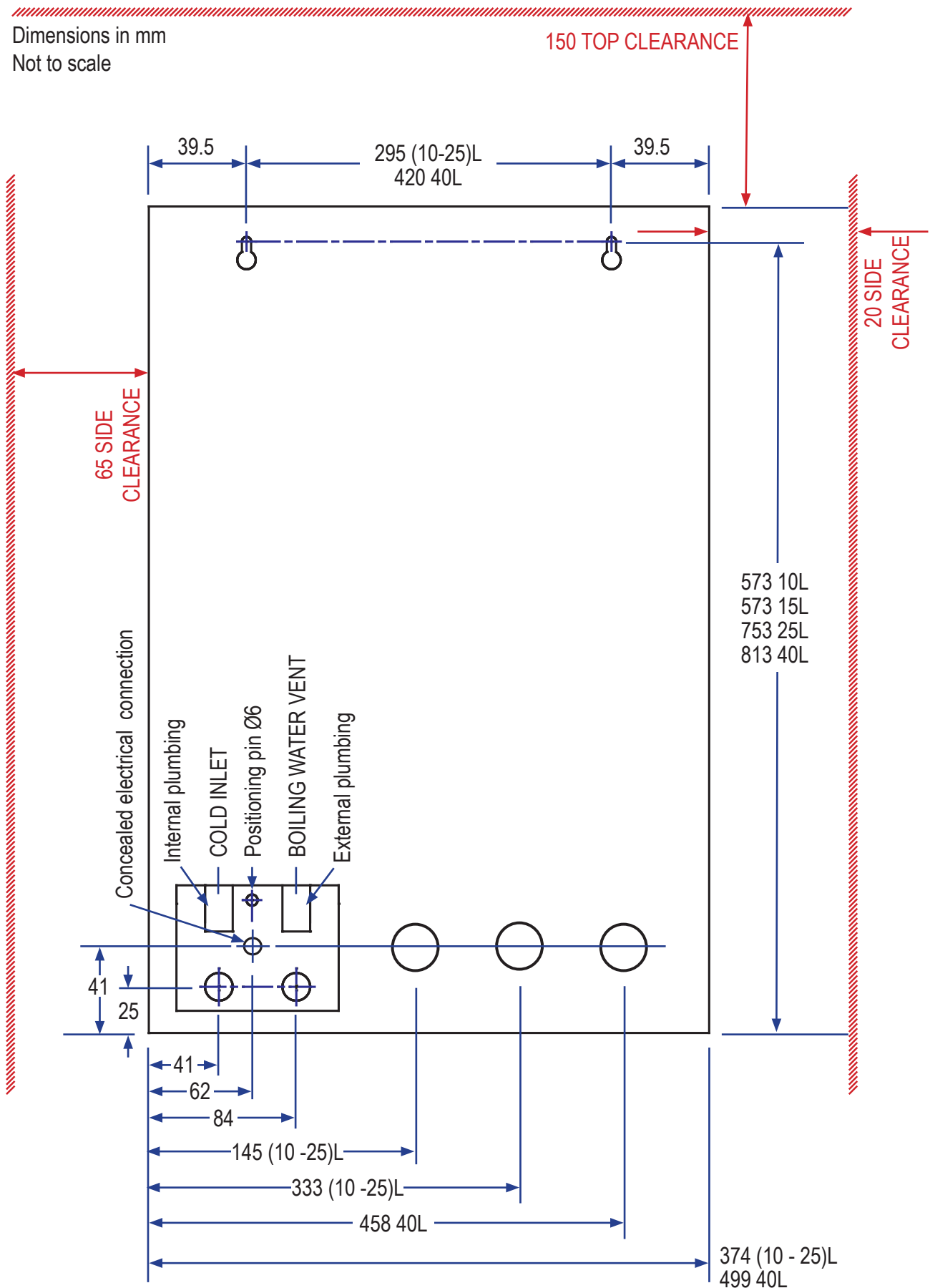


Wall mounting dimension 3 - 7.5 Litre models



Wall mounting dimensions 10 - 40 litre models

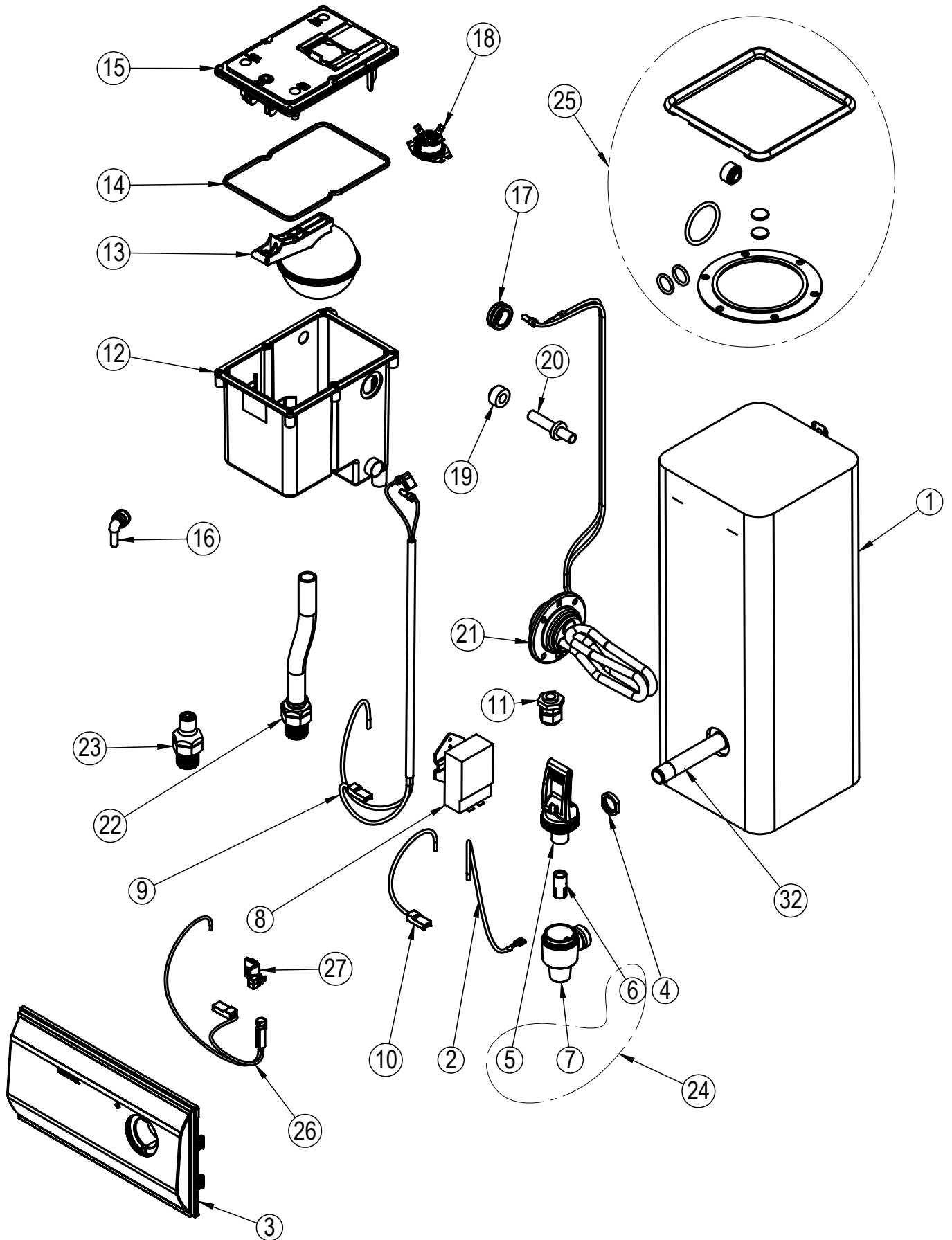
Dimensions in mm
Not to scale



Spare parts list 3 - 7.5 Litre models

Ref	Part number	Description
1	94443	HB 3Ltr Tank Assy
1	94444	HB 5Ltr Tank Assy
1	94445	HB 7.5Ltr Tank Assy
2	94750	Earth Wire
3	94758	Fascia HB UK
4	94448	Tap Lock Nut
5	SP90501	Tap Top Assy
6	93730	Flow Insert
7		Not available
8	SP90081	Thermostat
9	94752	Loom Ther-Overload
10	94753	Wire Brown 140mm 6.3QC x 1sqmm
11		Not available
12	94454	Cistern Tank
13	94755	Ball Valve Assy
14	94456	Cistern Gasket
15	94457	Cistern Lid
16	SP93118	Elbow Stem 1/4"
17	90100	Grommet, Cistern to Tank
18	94458	Overload 4 terminal, 2 pole, 90 deg
19 & 20	SP90494	Seal Transfer Tube & Metering Tube
21	SP90485	Element Assy 1500W 3Ltr
21	SP90486	Element Assy 2400W 5 & 7.5Ltr
22	94465	Bush Vent Assy 3Ltr
22	94466	Bush Vent Assy 5Ltr
22	94467	Bush Vent Assy 7.5Ltr
23	94757	UK Inlet Assy
24	94470	Tap Assy (inc: 5,6,7)
25	94473	Hot Tank Gasket Kit 3Ltr
25	94474	Hot Tank Gasket Kit 5&7.5Ltr
26	94759	Light Pilot series 2000 365 lg
27	94760	Lens, HB UK

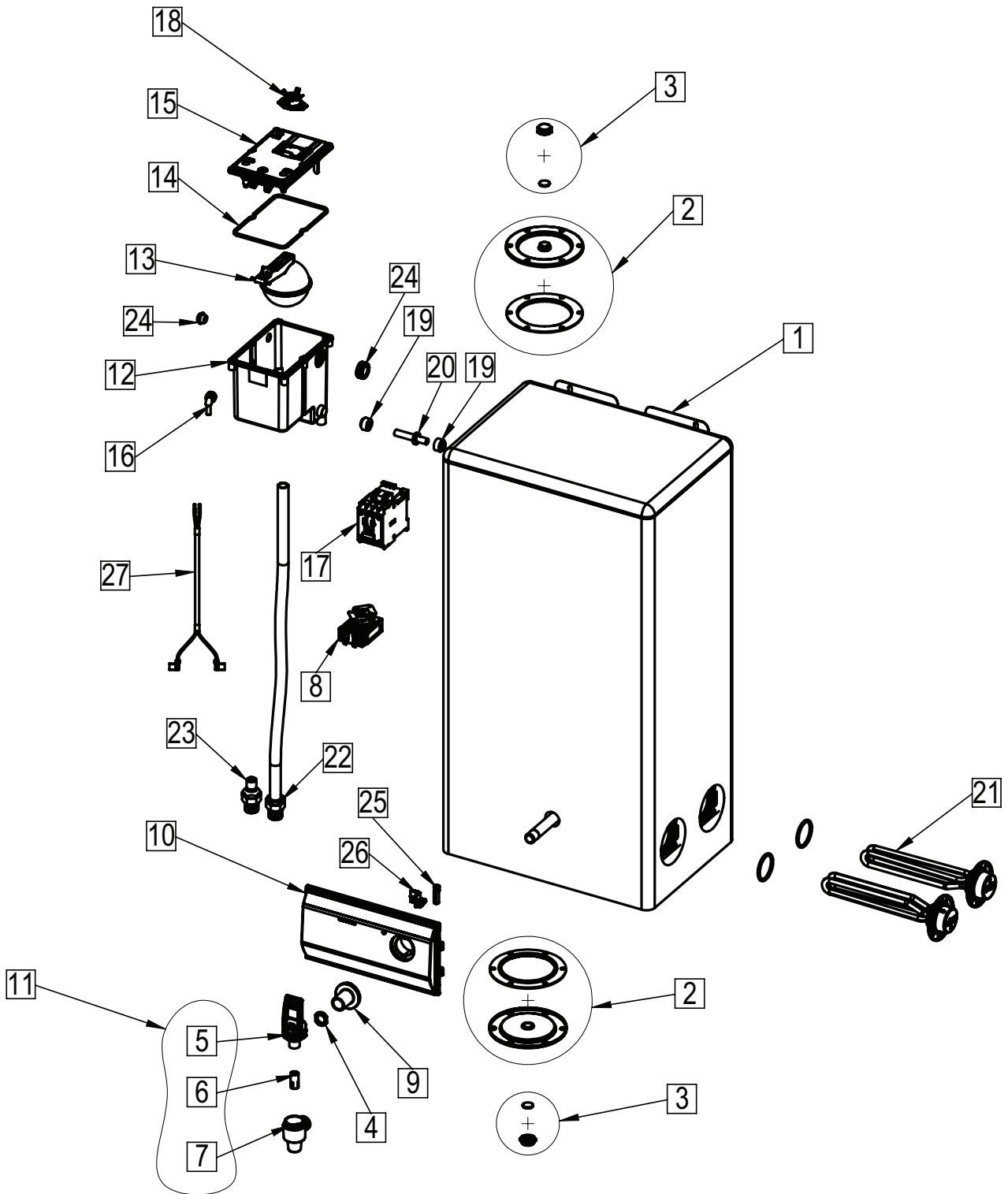
Spare parts diagram 3 - 7.5 litre models



Spare parts list 10 - 40 litre models

Ref	Part number	Description
1	94766	UK HB 10Ltr Tank Assy
1	94767	UK HB 15Ltr Tank Assy
1	94768	UK HB 25Ltr Tank Assy
1	94769	UK HB 40Ltr Tank Assy
2	SP90491	Cleaning Hole Cover Kit HB/AB
3	SP90492	Drain Cap and Seal Kit HB/AB
4	94448	Tap Lock Nut
5	SP90501	Tap Top Assy
6	93730	Flow Insert
7		Not available
8	SP90081	Thermostat
9	94447	Kit Escutcheon
10	94758	Fascia HB
11	94470	Tap Assy (inc: 5,6,7)
12	94454	Cistern Tank
13	94755	Ball Valve Assy
14	94456	Cistern Gasket
15	94457	Cistern Lid
16	SP93118	Elbow Stem 1/4"
17	94609	Contactora 4 Pole
18	94458	Overload 4 terminal, 2 pole, 90 deg
19	94460	Seal Transfer Tube
20	94510	Metering Tube
21	SP90530	Kit 3.0kW Element LBW
22	94762	Bush Vent Assy 10-15Ltr
22	94763	Bush Vent Assy 25Ltr
22	94764	Bush Vent Assy 40Ltr
23	94757	Inlet Assy
24	90100	Kit Grommets Cistern
25	94759	Light Pilot series 2000 365 lg
26	94760	Lens, HB UK
27	94625	Kit Loom Contactora to Overload 40lt

Spare parts diagram 10 - 40 litre models



End of life disposal



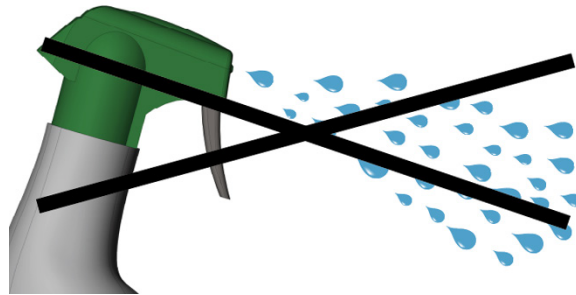
The use of this crossed out wheeled bin logo indicates that this product needs to be disposed of separately to any other household waste.

Within each of the European Union member countries, provisions have been made for collection and recycling of unwanted electrical and electronic equipment. In order to help preserve our environment we ask that you dispose of this product correctly. Please contact Zip Customer Service on 0345 6 005 005 for advice.

Cleaning

Cleaning Case

Do not use strong, corrosive, spray or abrasive cleaners. Clean the case with a soft cloth or brush and mild soap and water.





It's water. Refreshed.



Zip Water UK

14 Bertie Ward Way, Dereham, Norfolk NR19 1TE

0345 6 005 005 sales@zipindustries.co.uk

www.zipwater.co.uk