

HUSKY FOLDING 25 AND 40

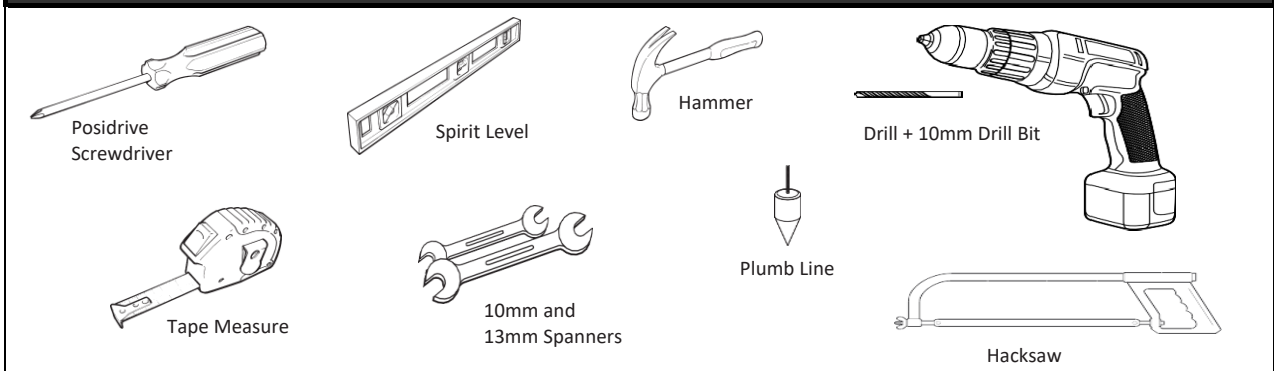
HENDERSON

Fitting Instructions

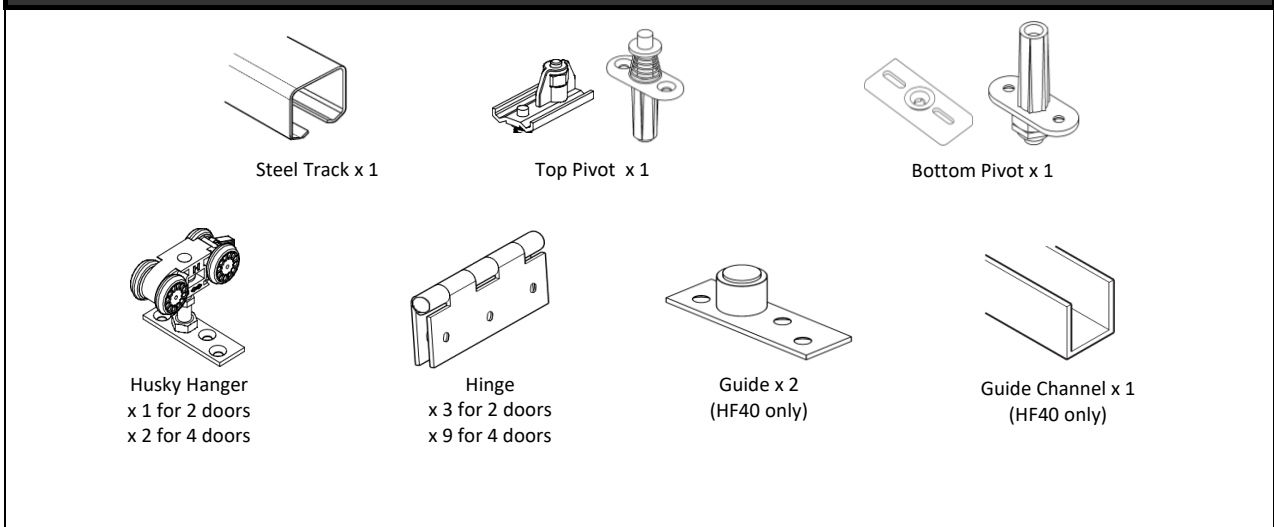
KIT AND DOOR SPECIFICATION

Kit Short Code	No. of Doors	Track Length	Max Door Height	Max Door Width	Door Thickness Range	Max Door Weight
HF25/12	2	1234mm	2400mm	610mm	20 - 44mm	25kg
HF25/24	2	2458mm	2400mm	610mm	20 - 44mm	25kg
HF40/15	4	1538mm	2700mm	762mm	20 - 44mm	40kg
HF40/30	4	3066mm	2700mm	762mm	20 - 44mm	40kg

TOOLS REQUIRED

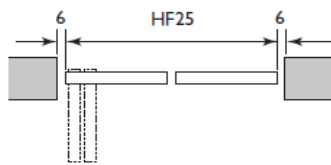
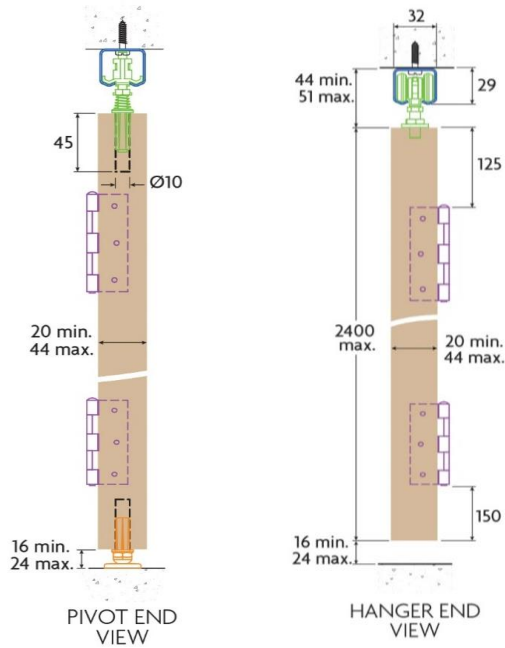


KIT CONTENTS



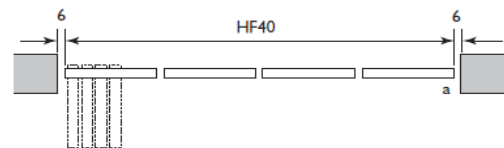
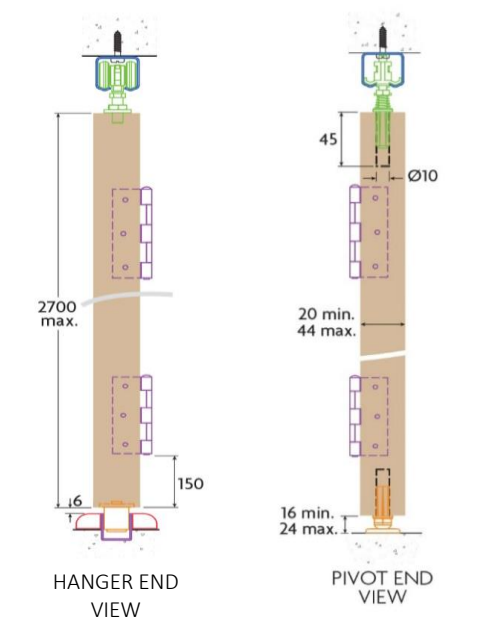
SYSTEM OVERVIEW

Husky Folding 25



6mm = gap between frame and door

Husky Folding 40



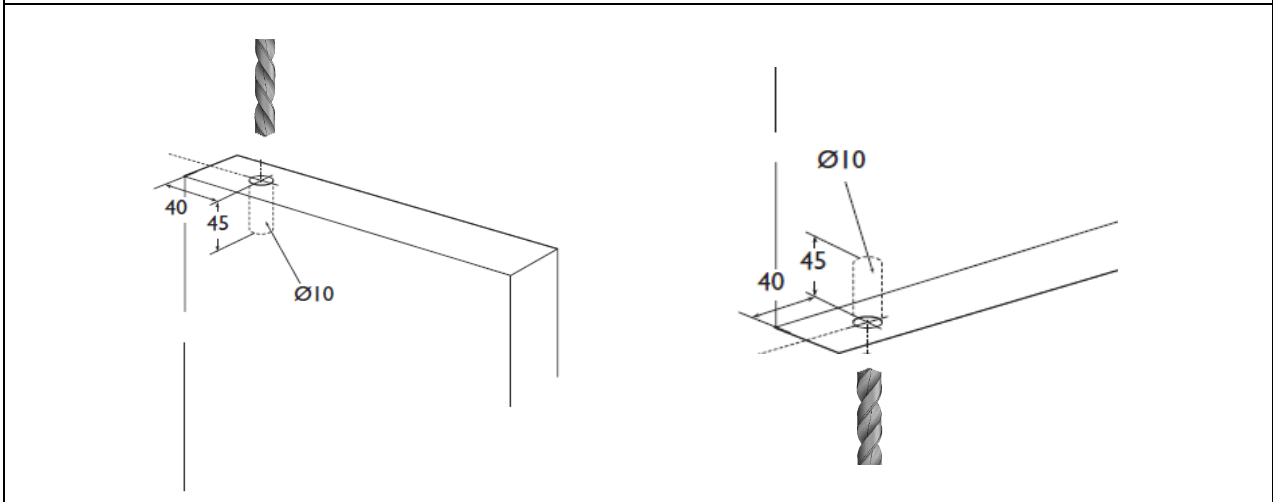
6mm = gap between frame and door

HINGE INSTALLATION:

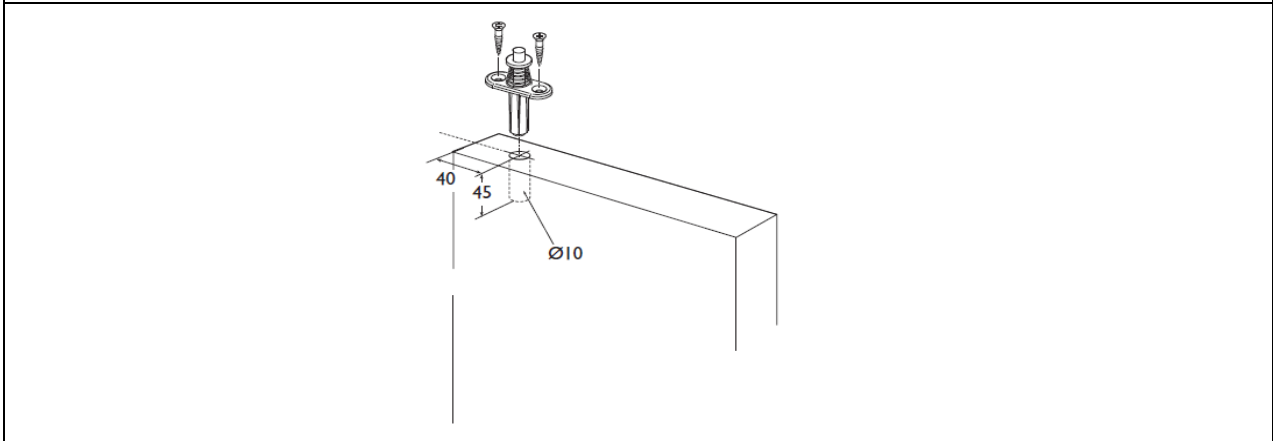
- 1) Route the hinges into the door to reduce the doors folding past the closed position. This creates a 0mm gap between the doors when closed.
- OR
- 2) Surface mount the hinges to the doors and use bolts to lock the doors into the closed position. This leaves a 5mm gap between the doors when closed.
- OR
- 3) For cupboard or wardrobe installations where one side of the door is concealed, hinges can be attached to the back of the doors. This creates a 0mm gap between the doors when closed

STEP BY STEP INSTRUCTIONS

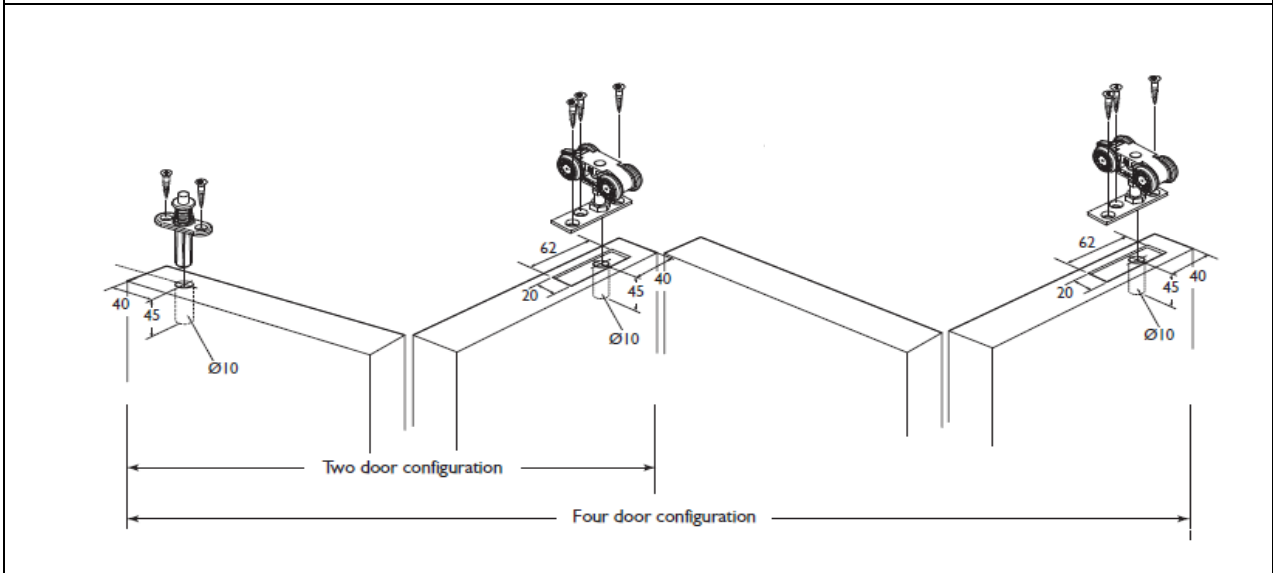
STEP 1: Use a 10mm drill bit to drill a hole into the top and bottom of the pivot door on the side closest to the door frame



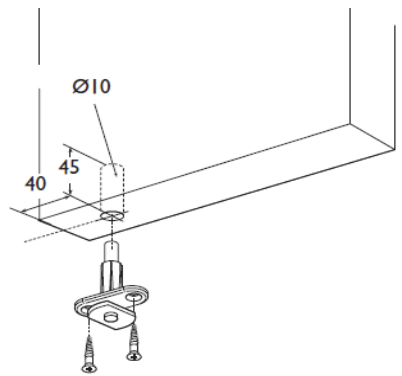
STEP 2: Position and secure top pivot body to the top of the pivot door



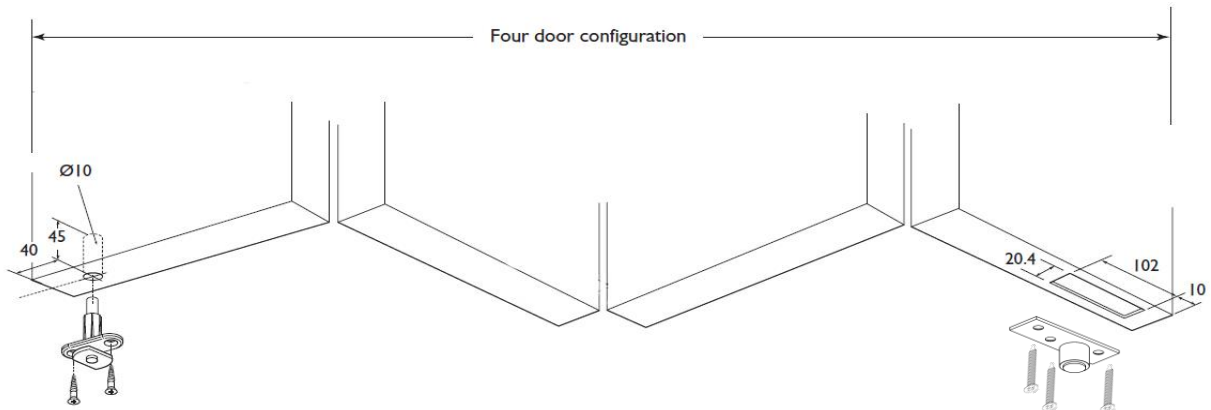
STEP 3: Fit hangers to doors - for 2 door applications fit hanger to 2nd door. For 4 door applications, fit hangers to 2nd and 4th doors.



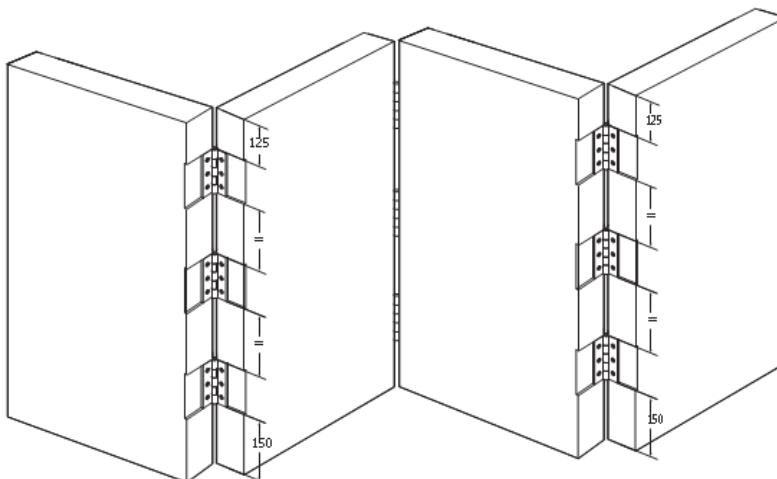
STEP 4: Position and secure the bottom pivot body to the bottom of the pivot door.



STEP 5: Attach guide to bottom of the doors (HF40 kits only)



STEP 6: Affix butt hinges

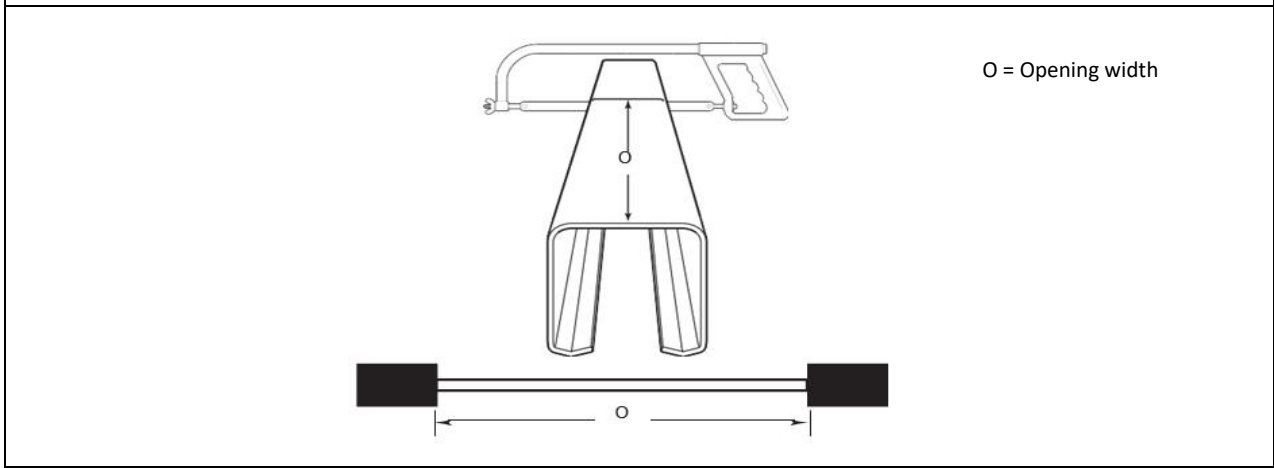


- i. Measure 125mm from the top of the door to identify where to fix the top of the first hinge
- ii. Screw into position
- iii. Measure 150mm from the bottom of the door to identify where to fix the bottom of the last hinge
- iv. Screw hinge into position
- v. Ensure the remaining hinge measures equal distance between the top and bottom hinges
- vi. Repeat this for the remaining doors

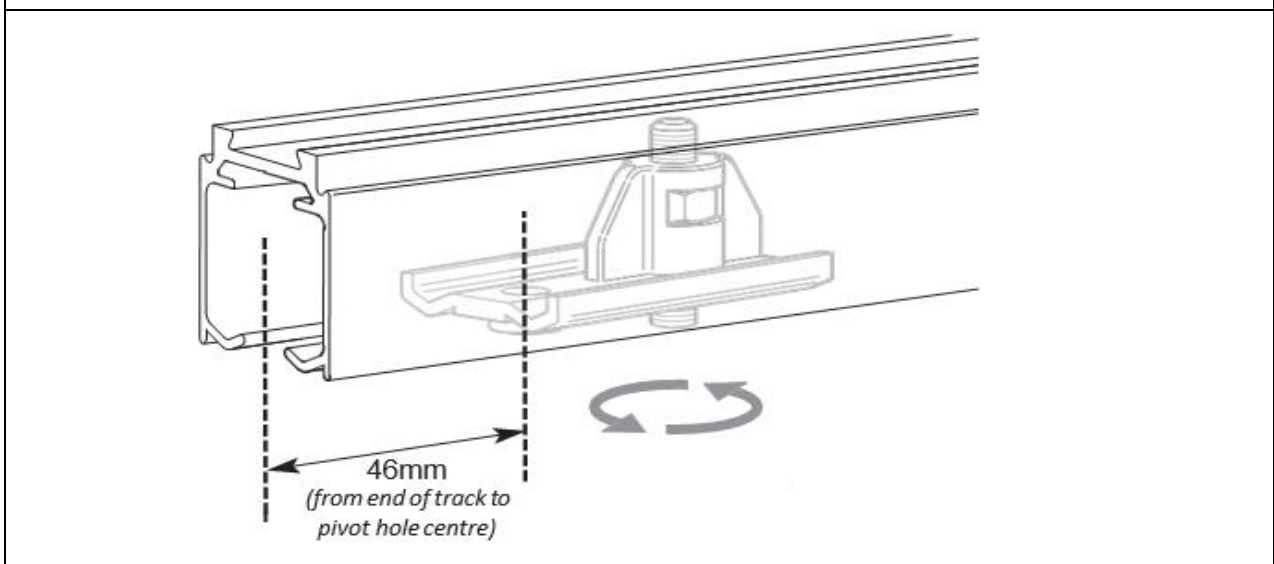
← 2 Door Configuration →

← 4 Door Configuration →

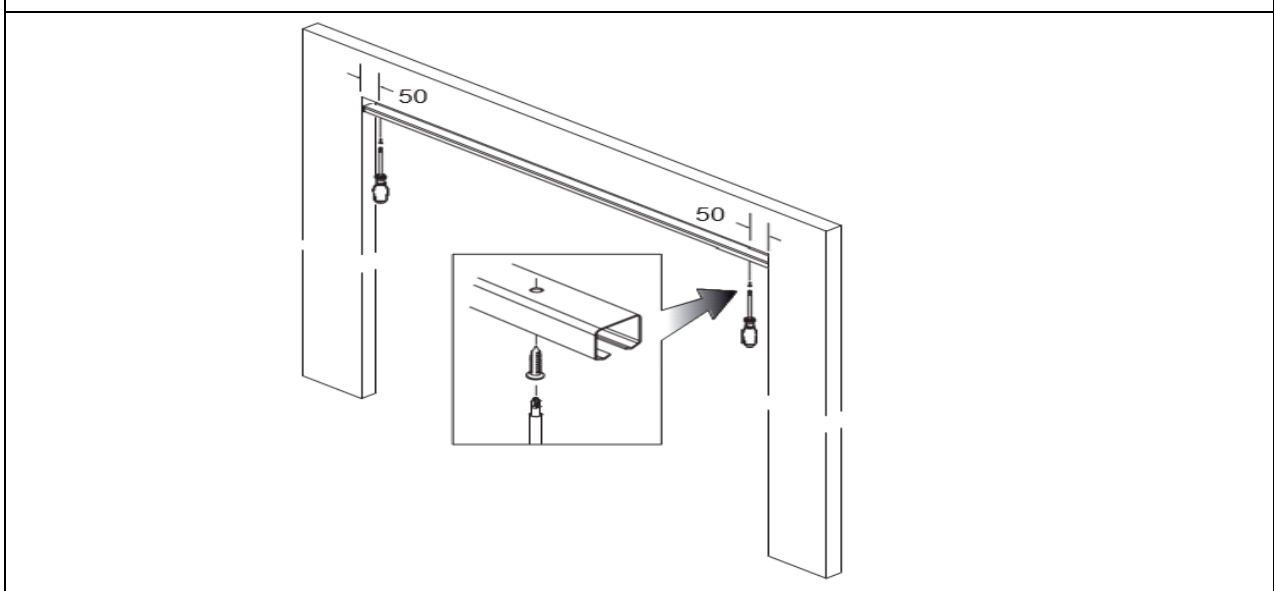
STEP 7: Measure the opening width and cut track to fit



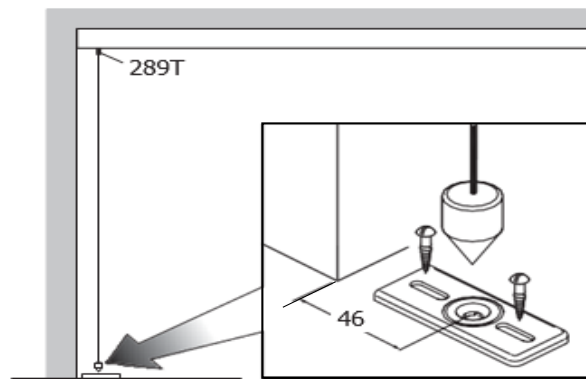
STEP 8: Position and secure top pivot socket into track



STEP 9: Affix track into opening by the two outer points only

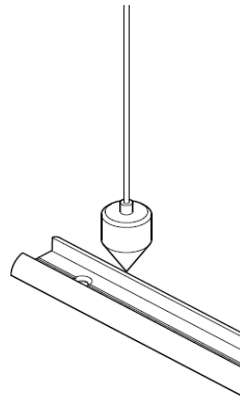


STEP 10: Use a plum line to align hole centre for the top pivot to the bottom pivot plate and screw into place - this should be 46mm from the door frame.

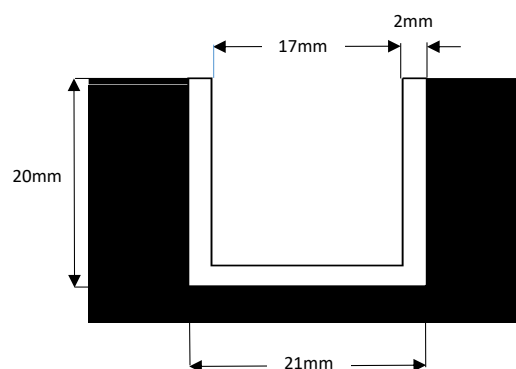


STEP 11 i) For HF25 kits, please skip to step 13. For HF40 kits, cut guide channel to required length.
ii) Use a plum line to align the guide channel with the track, mark out positioning with a pencil ready for routing

Guide Channel Formula:
Guide channel length = opening width - 85mm

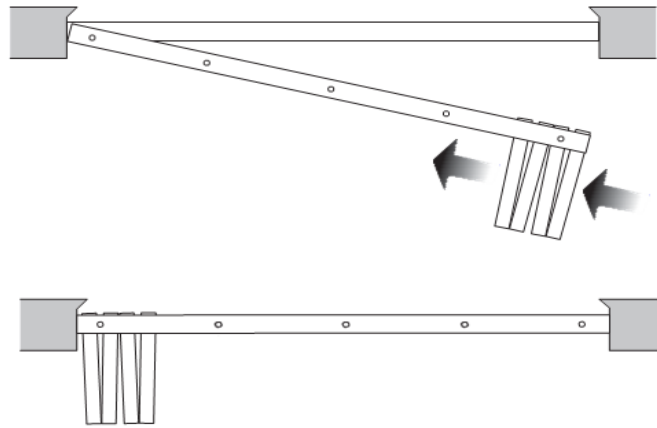


STEP 12: Route guide channel into floor and secure into position.

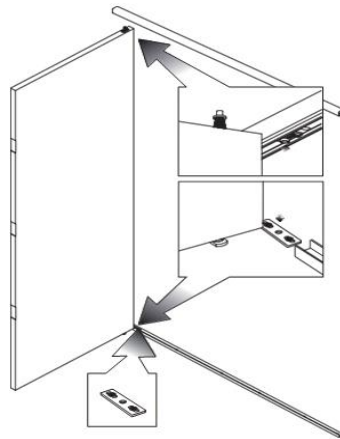


It is the installer's responsibility to ensure the guide channel has been routed into the floor appropriately.

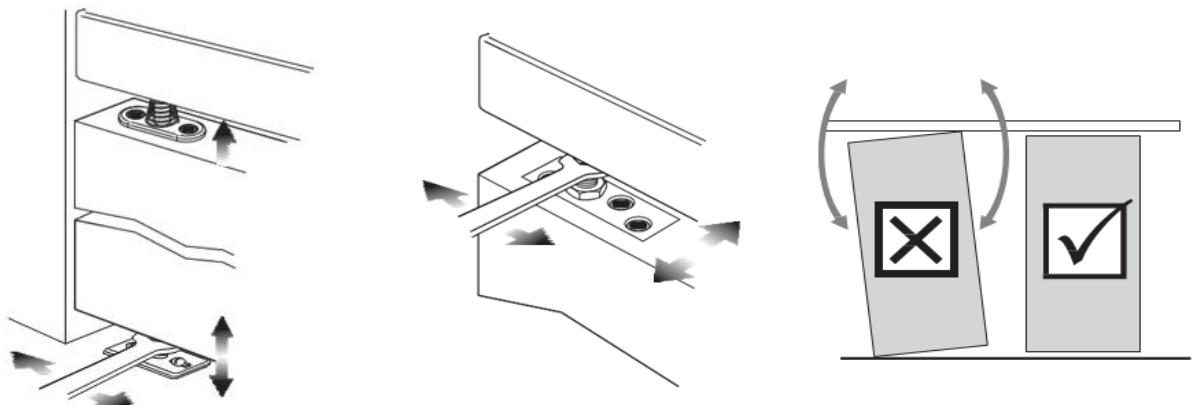
STEP 13: Unfix the non pivot side of the track and slide doors into the track. Affix the track back into position



STEP 14: Locate the bottom pivot and top pivot onto the plate



STEP 15: Adjust door height using spanners - use 13mm spanner on pivot door and 10mm spanner on hanger door



NOTE: When adjusting, ensure that the hanger supports the weight of the doors along with the length of the track.

P C Henderson Ltd, Durham Road, Bowburn, Co. Durham, DH6 5NG, UK

UK Sales

t: +44 (0) 191 377 7345

e: sales@pchenderson.com

w: www.pchenderson.com

Export Sales

t: +44 (0) 191 377 7346

e: international@pchenderson.com

w: export.pchenderson.com

665048

LVL 07

November 2019

UK Registered Address: P C Henderson Ltd, Durham Road, Bowburn, Co. Durham, DH6 5NG

Republic of Ireland Registered Address: P C Henderson Ltd, Westlink Industrial Estate, Kylemore Road, Dublin 10, Ireland

Holland Registered Address: Henderson Nederland BV, Rootven 14, 5531 MB, Bladel