



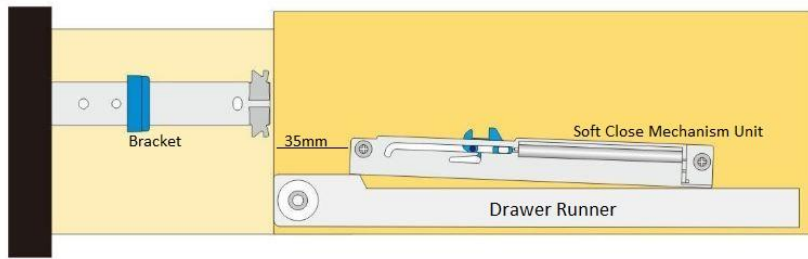
## Fitting Instructions: Soft Close for Drawer Runners

1. The product has two assembly parts for their respective location:

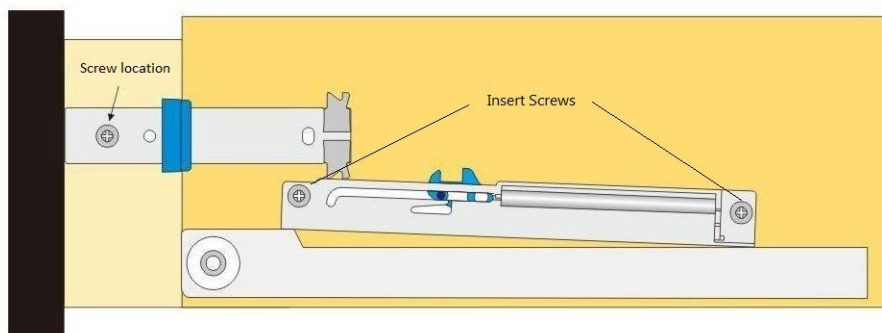
Grey Plastic Bracket – Drawer
Grey Plastic Soft Close Unit - Cabinet

The distance between the side of the drawer and the inside of the cabinet must be between **11- 13mm**

2. On the inside of your cabinet, mark the location for position of your soft close unit – this should be 35mm from cabinet front, as per the below diagram.

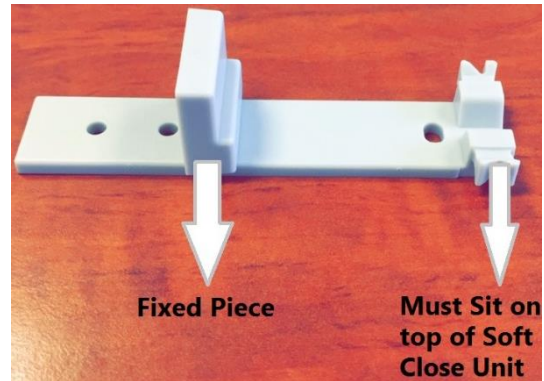


3. Insert the given M4 screws in the two holes along the length of the soft close unit.





4. Mark the position of the bracket on the drawer using the above diagram – bracket must sit on top of the soft close unit and the ‘fixed piece’ (indicated in blue) must be placed against the cabinet front.



5. Insert the 2 of the given M4 screws along the length of the bracket.



6. Remove the “set piece” from the bracket as per diagram below.

