

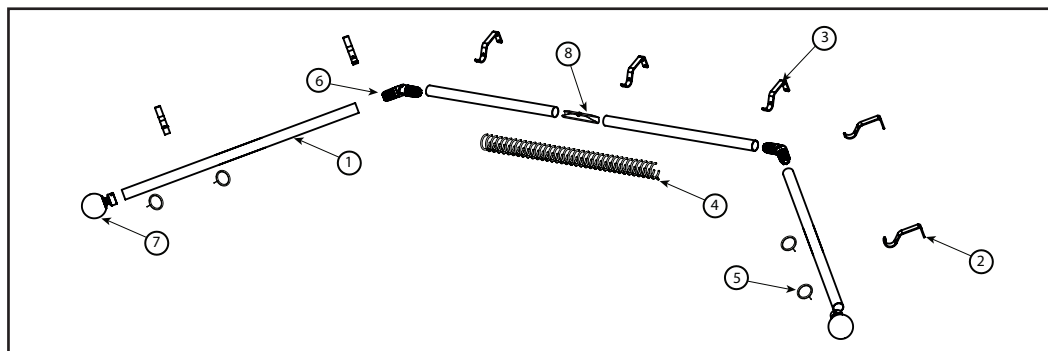
## Fitting Instructions

Before fitting your new curtain pole, please read the following instructions and check the contents of your pack against the table below.

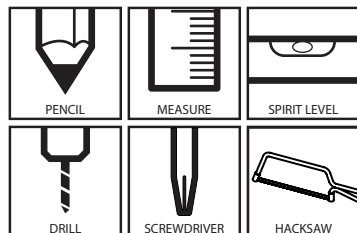
	Parts	Bay Length	
		300cm	500cm
1	Pole	4	4
2	Bracket	3	3
3	Passing bracket	4	4
4	Passing ring	26	46
5	Ring	4	4
6	Corner piece	2	2
7	Finial	2	2
8	Pole joiner	1	1
9	Fittings pack	1	1

Should any component be missing, please call the Customer Care Department on **0330 005 2233**

## Installation & Assembly



You'll need these basic tools:



### Safety Recommendation

Only use a Step Ladder to install this product. DO NOT over reach. Always move the Step Ladder so that you are in a safe working position. DO NOT hold or lean on the pole to support Your weight.

We recommend you use two people for installation Of larger poles.

Take care when using power tools, use of a Residual Current Device (RCD) is recommended. Always use eye protection when drilling. Beware of hidden pipe runs and cables.

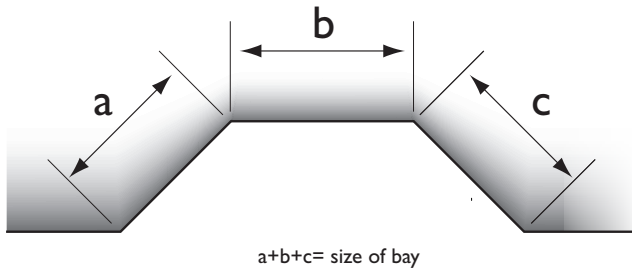
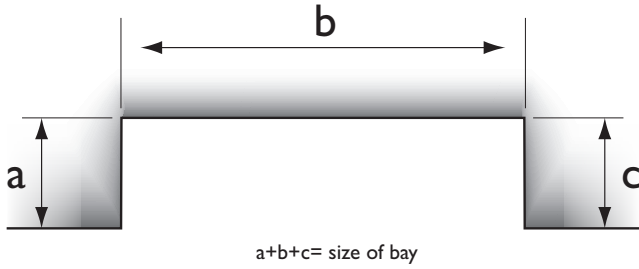
No liability will be accepted for damage or injury caused by incorrectly installed or assembled product.

PLEASE KEEP OUT OF THE REACH OF YOUNG CHILDREN. SMALL PARTS - CHOKING HAZARD

PLEASE KEEP THESE INSTRUCTIONS AND THE BATCH CODE ON THE PACKAGING FOR FUTURE REFERENCE IF ANY QUERIES

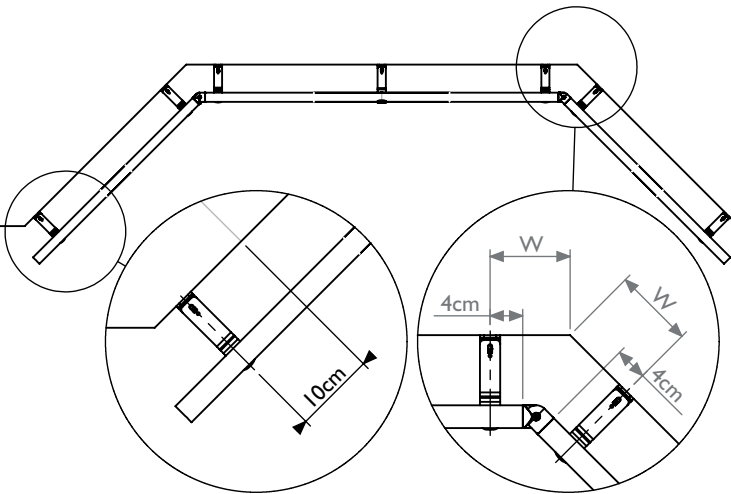
Measure the windows

1a



Calculate the bracket position

1b



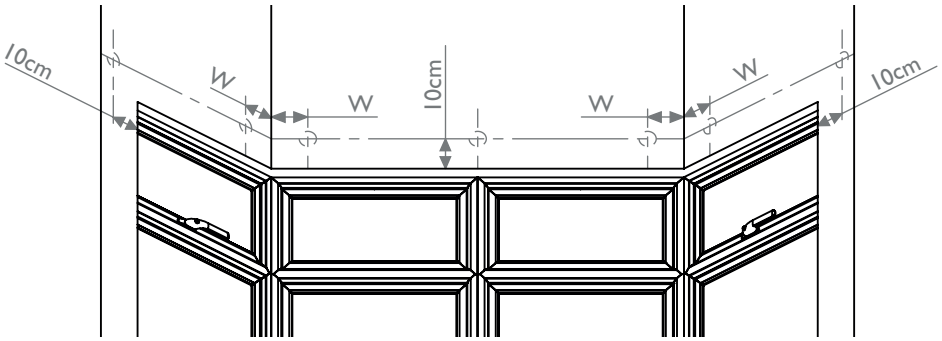
Calculate the position of the passing brackets by laying the bay pole parts out on the floor of your bay window, ensuring that the brackets are at the desired projection

Calculate the position of the passing bracket  $W$  so its centre is 4cm from the edge of the corner bend. You will need to adjust the bay corner piece to the correct angle

Calculate the position of the end bracket so its centre is at least 10cm from the edge of the window

## Preparing the bracket installation

2

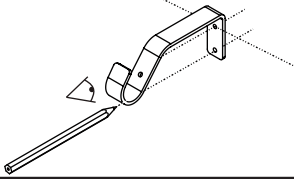


Mark the pole centre line on the wall and then mark the positions of the brackets on the wall ensuring the centre bracket is central to the window

## Measuring the bracket hole position

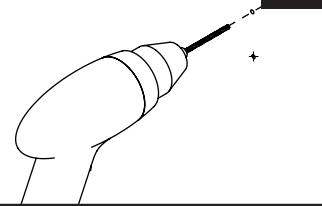
3a

Reference line



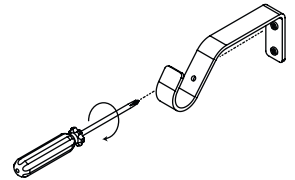
## Drill the hole and fit the correct plugs if fixing on masonry wall

3b



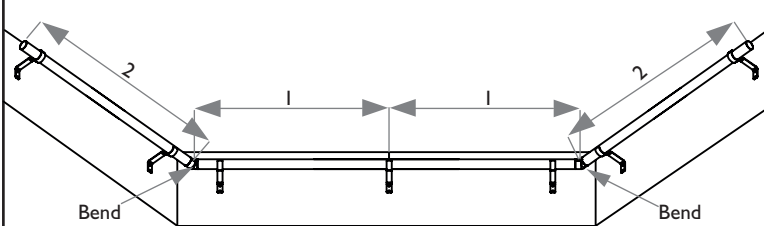
## Fix the brackets

4



## Measuring the poles

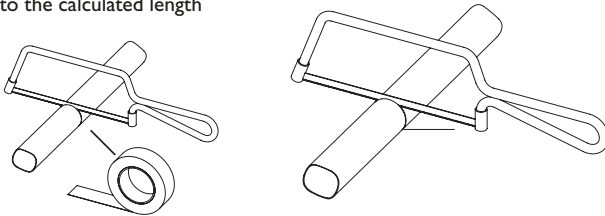
5



Starting in the middle of the window build the pole outwards cutting the poles to the length as required. Calculate each length of pole by measuring the distance between the bracket centres, add 4cm to the poles connecting to a bend (1), add 14cm to the poles connecting to the finial (2)

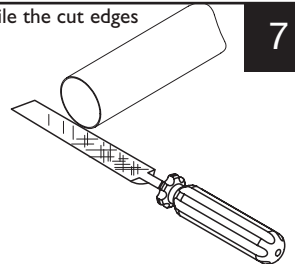
## Mask the area to be cut to avoid damaging the pole and cut the pole to the calculated length

6



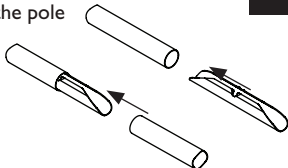
## File the cut edges

7



## Join the poles using the pole joiner by inserting it inside the pole

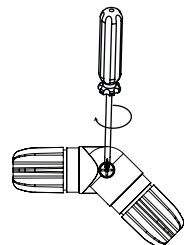
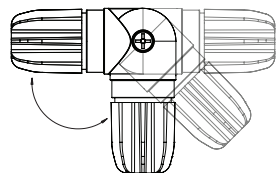
8



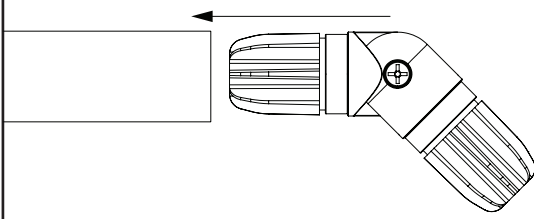
Make sure equal lengths of the joiner are in each pole

## Adjust corner angle and tighten in place

9

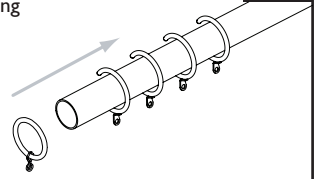


Fit the corner piece into the poles



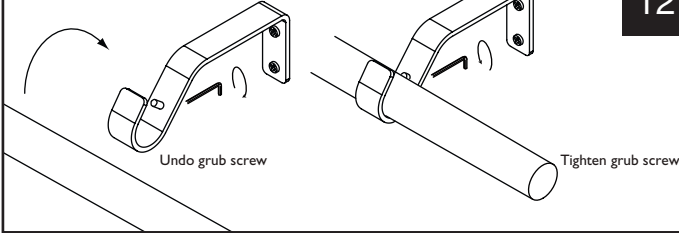
10

Slide an equal amount of passing rings on each side of the bay, and one solid ring



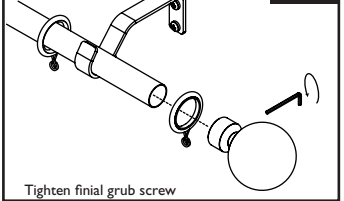
11

Fit the pole into the brackets



12

Fit the finial (place the remaining solid ring between the bracket and the finial)



13

Tighten finial grub screw