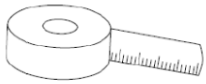




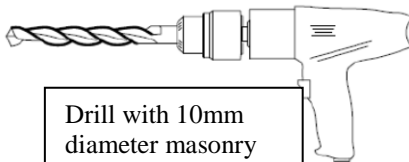
DOOR CANOPY

Should you require further details or assistance, please contact our customer care line on 01562 753040

EQUIPMENT REQUIRED



Tape measure



Drill with 10mm diameter masonry drill bit






13mm Spanner







Hammer

LIST OF COMPONENTS

- ① Board ② Frontal Fixing Bar ③ Bracket ④ Back Fixing Bar ⑤ Setscrew
⑥ Rubber Sealant ⑦ Bolt

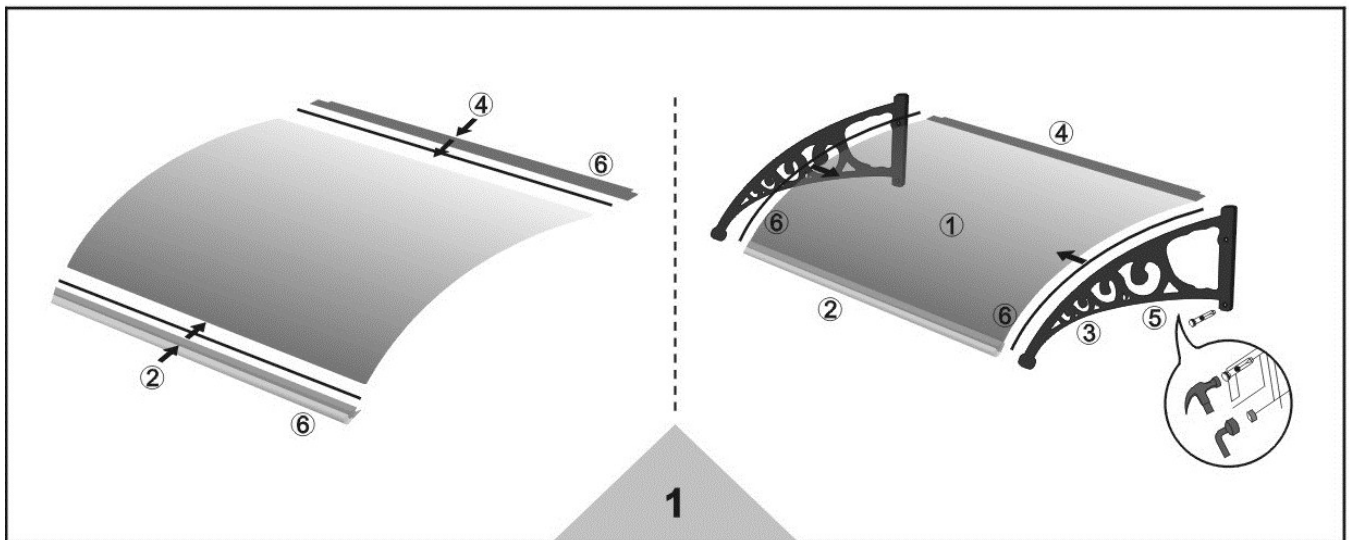
	Drawing	Number	Indication
1.		1	Board
2.		1	Frontal Fixing Bar
3.		2	Bracket

	Drawing	Number	Indication
4.		1	Back Fixing Bar
5.		4	Setscrew
6.		4	Rubber Sealant
7.		4	Bolt

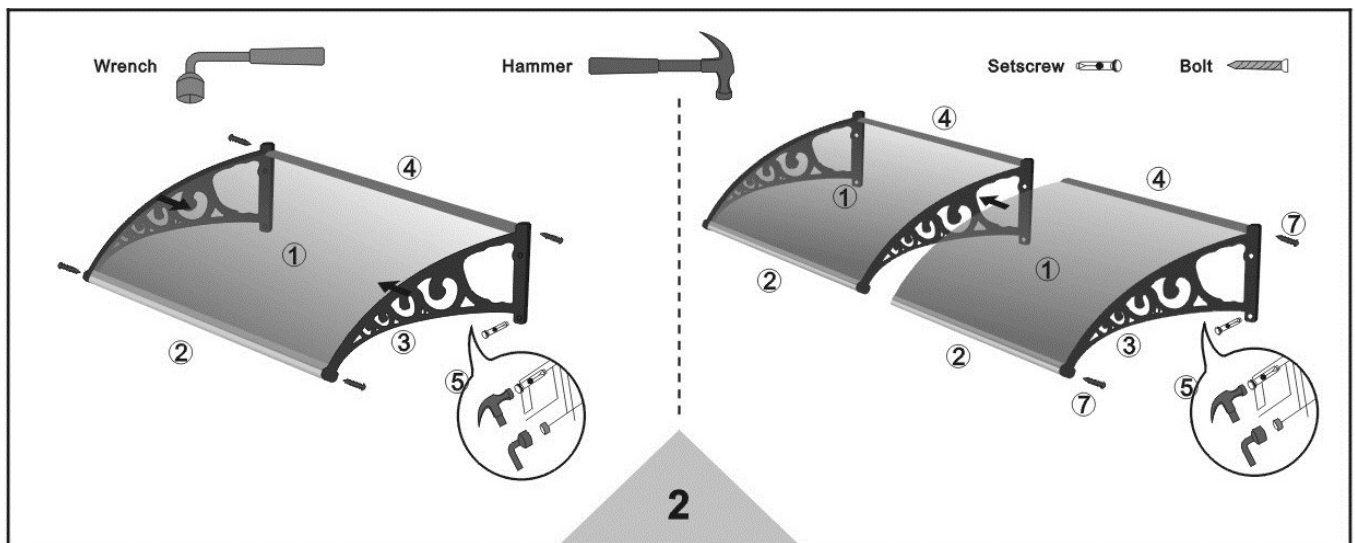
Please ensure that you check all the contents of your delivery packaging against the contents list on the enclosed Instruction Manual.

Keep all the packaging including internal fittings until you have successfully put together and installed your purchase.

We will only accept a return of this product if it is repacked in the original packaging.



- 1) The two longer rubber seals (number 6) should be assembled onto the polycarbonate sheet (number 1) on the two opposite longer sides before sliding the whole assembly into the front and back fixing bars.
- 2) The two shorter rubber seals (number 6) should be assembled onto the polycarbonate sheet (number 1) on the two opposite shorter sides before sliding the whole assembly into the two side brackets.



- 3) Once the Canopy has been assembled you will need to drill the wall to receive the set screws. You will need a 10mm masonry drill bit, measure and mark the position of the four holes you need to drill, these will be dependent on the height you want to fix the canopy above your door.
- 4) Once drilled you will need to line the assembled door canopy up with the drilled holes so that the holes in the brackets.
- 5) Insert the set screws through the bracket holes into the drilled hole in the wall, you will need to then use a hammer to tap the set screws fully into the holes.
- 6) Use spanner to tighten the set screw, this will tighten the metal collar on the set screw in the wall to expand it to clamp into the wall and fix the canopy into position.

Customer Service.

Should you require further details or assistance, please contact our customer care line on
 01562 753040
 GABLEMERE DY11 7FB