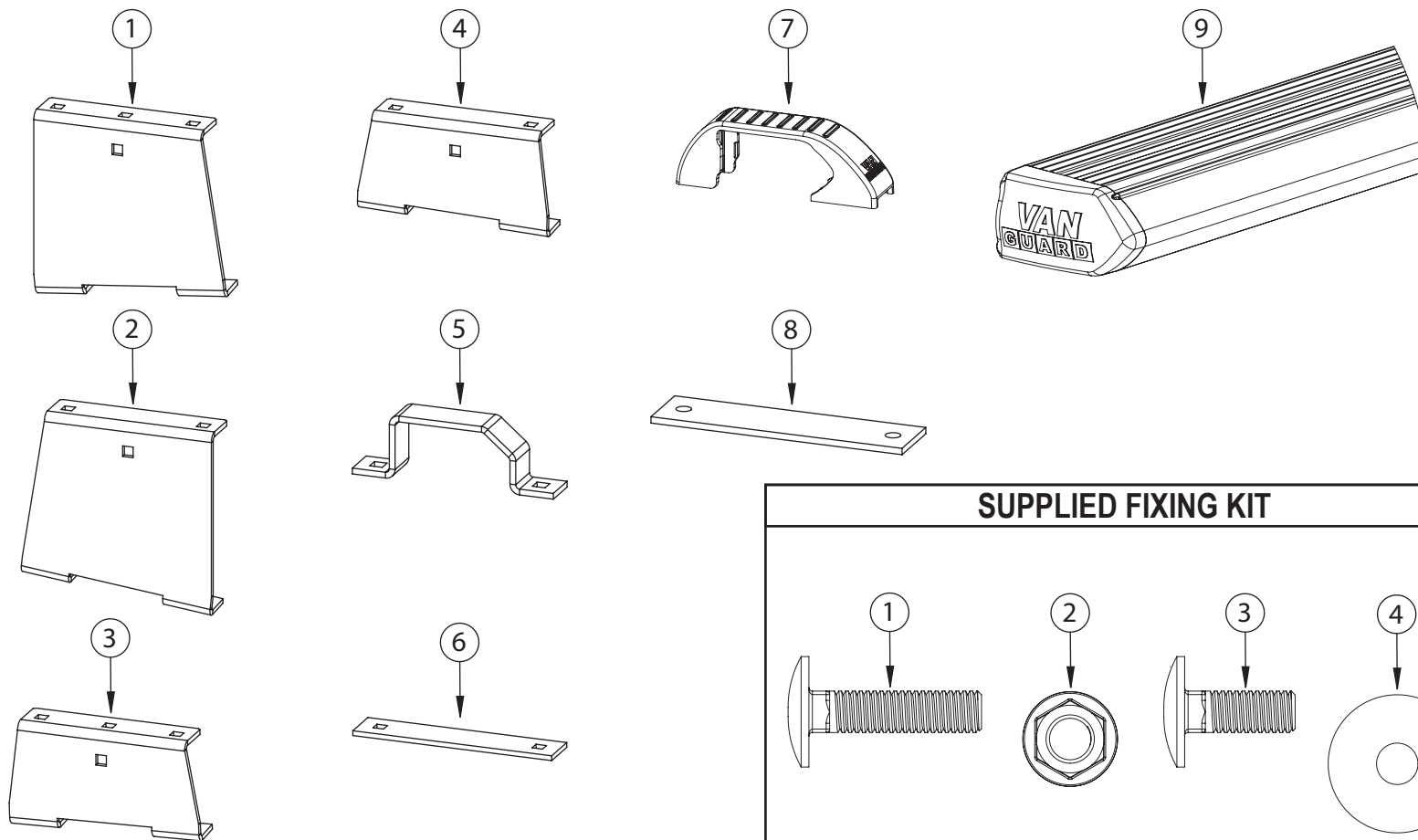


VG187-2

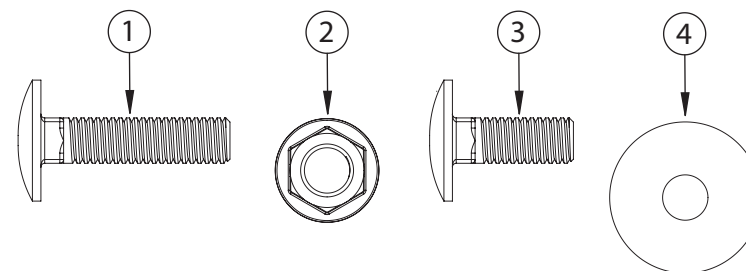
2 Heavy duty aluminium roof bars - Vauxhall Combo 2001 - 2012

SUPPLIED COMPONENTS



#	DESCRIPTION	QTY
1	FRONT NEARSIDE BRACKET	1
2	FRONT OFFSIDE BRACKET	1
3	MIDDLE NEARSIDE BRACKET	1
4	MIDDLE OFFSIDE BRACKET	1
5	TOP HAT	4
6	FIXING PLATE	4
7	TOP HAT COVER	4
8	H120 RUBBER PAD	4
9	ROOF BAR	2

SUPPLIED FIXING KIT



#	DESCRIPTION	QTY
1	M6x25 COACH BOLT	8
2	M6 SERRATED FLANGE NUT	16
3	M6x16 COACH BOLT	8
4	RUBBER WASHER	8

TOOLS REQUIRED: 10mm SPANNER / RATCHET

This FITTING INSTRUCTION is the property of VAN GUARD ACCESSORIES LTD. and must not be used for manufacturing purposes, copied nor communicated in any way to third parties without written permission from VAN GUARD ACCESSORIES LTD.

IN8042_A - IW - 03/05/2013

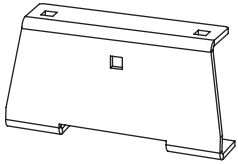
Van Guard Accessories Ltd
Fair Oak Close, Exeter Airport Business Park,
Exeter, Devon, EX5 2UL

www.van-guard.co.uk

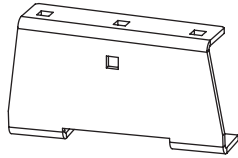
1

The roof brackets are handed to suit both sides of the vehicle. The brackets need to be positioned on the vehicle as shown below with the top hat flange facing inwards.

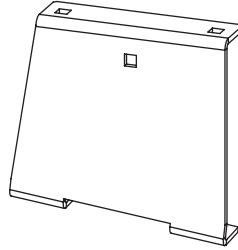
MIDDLE OFFSIDE



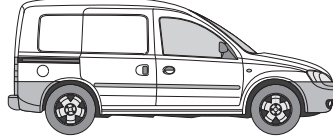
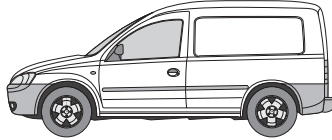
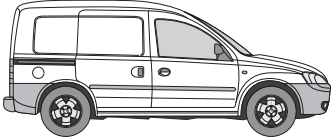
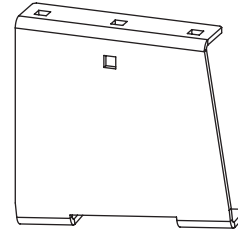
MIDDLE NEAR SIDE



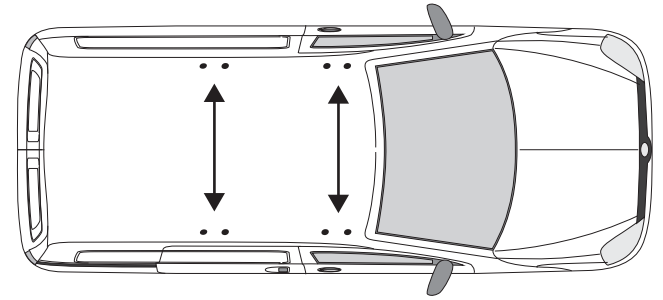
FRONT OFFSIDE



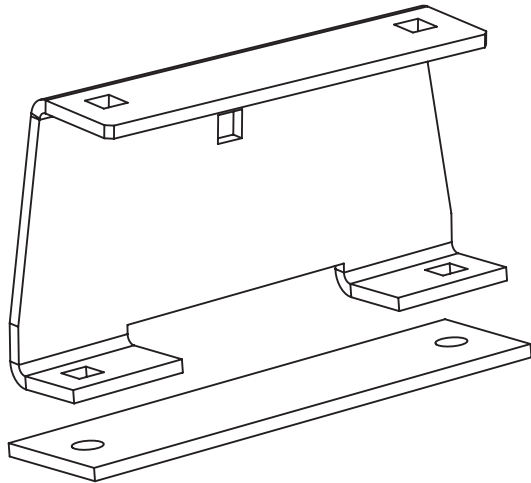
FRONT NEAR SIDE

**2**

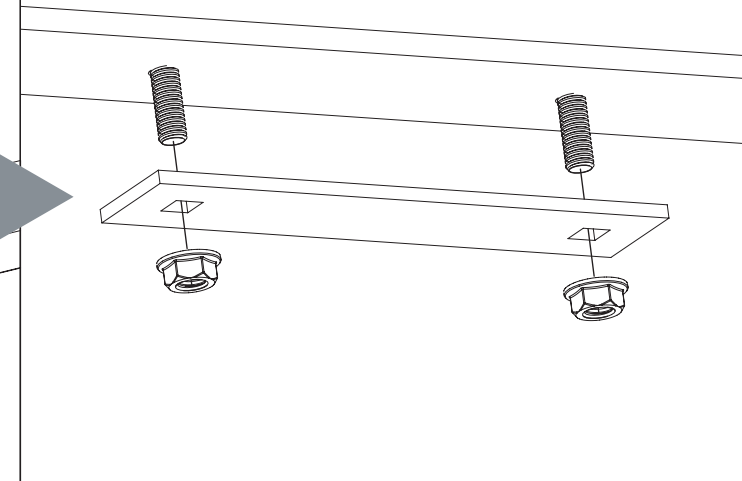
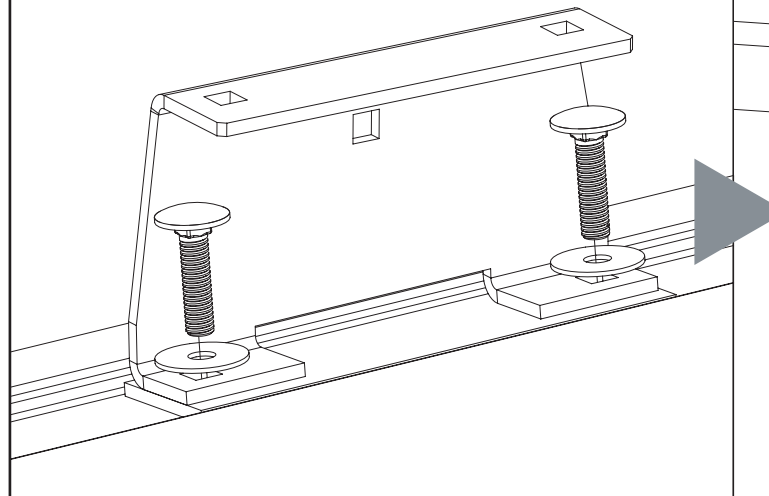
Remove roof plugs to reveal the vehicles fixing points.

**3**

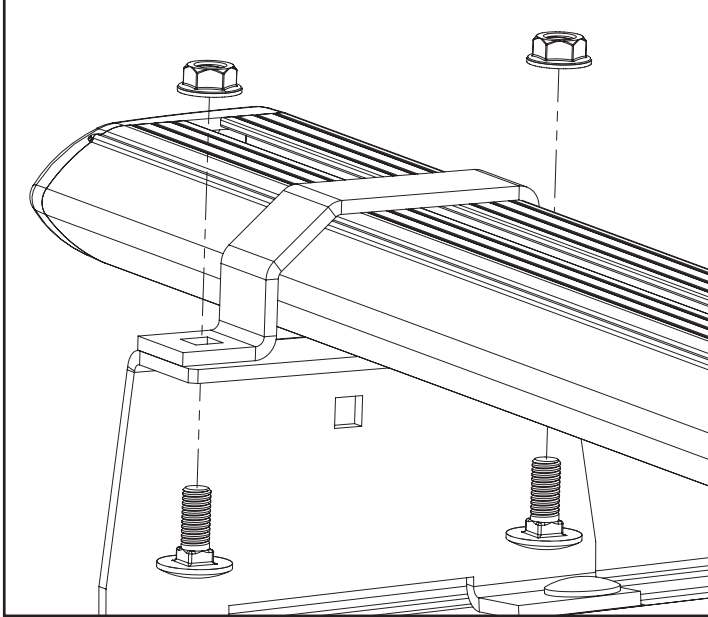
Stick rubber pads to the underside of all roof brackets.

**4**

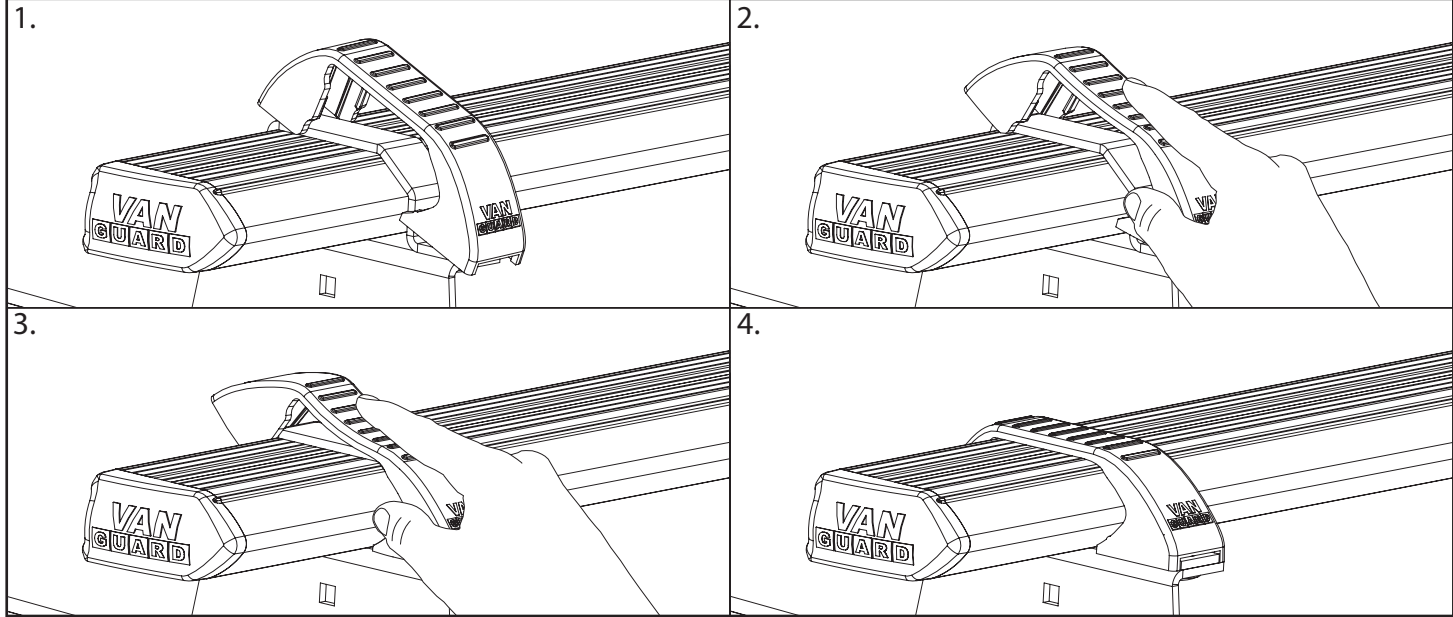
Secure roof brackets to the vehicles fixing points by bolting through the fixing points using M6x25 coach bolts & rubber washers, secure under the roof using fixing plates and M6 serrated nuts.



5 Place roof bars onto the roof brackets with the t-slot facing upwards, secure using top hat brackets, M6x16 coach bolts & M6 serrated nuts.



6 Flex the top hat covers over the top hat brackets into position as shown below. Ensure that the covers click into the front and rear of the top hat brackets.



7 Once in position tighten all fixings to 8Nm. Periodically check all fixings.



**TIGHTEN
TO
8Nm**

NOTES:
Maximum load is 55kg per bar. Please check that the vehicle manufacturers load bearing capacity for the roof is not exceeded. (Refer to the vehicle handbook)
Periodically check all fixings.
Retain these instructions for future reference.

VAN GUARD