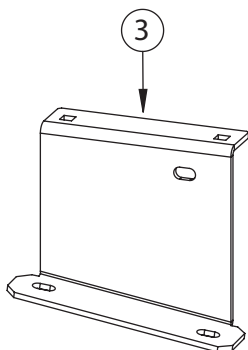
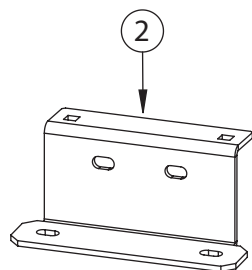
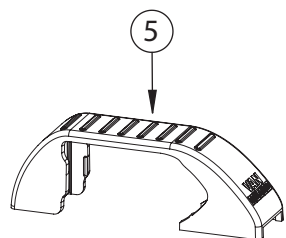
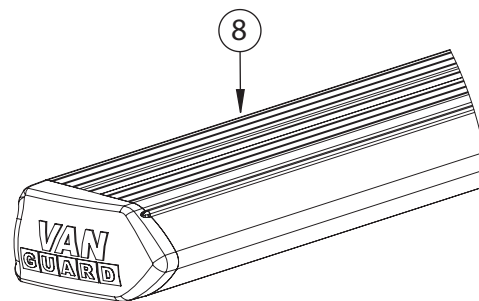
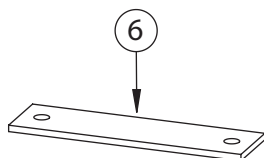
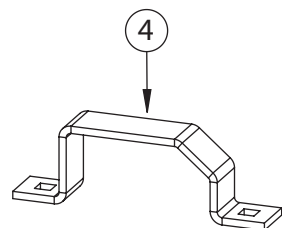
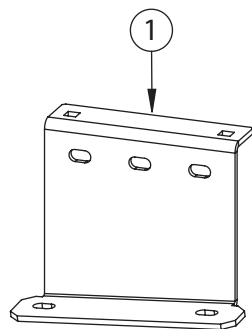


VG264-3

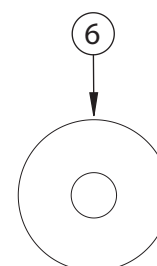
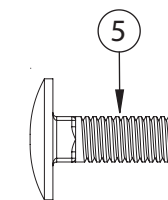
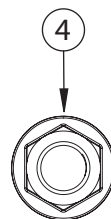
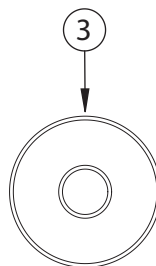
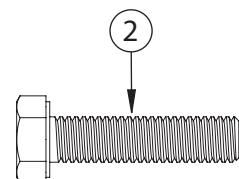
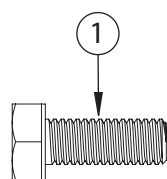
3 Heavy duty aluminium roof bars - Mercedes Vito 2004 onwards

SUPPLIED COMPONENTS



#	DESCRIPTION	QTY
1	REAR ROOF BRACKET	2
2	MIDDLE ROOF BRACKET	2
3	FRONT ROOF BRACKET	2
4	TOP HAT	6
5	TOP HAT COVER	6
6	H110 RUBBER PAD	6
7	H20 RUBBER PAD	2
8	ROOF BAR	3

SUPPLIED FIXING KIT



#	DESCRIPTION	QTY
1	M6x16 HEX BOLT	12
2	M6x25 HEX BOLT	12
3	M6 WASHER	24
4	M6 SERRATED FLANGE NUT	24
5	M6x16 COACH BOLT	12
6	RUBBER WASHER	24

TOOLS REQUIRED: 10mm SPANNER / RATCHET

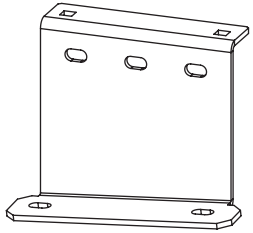
This FITTING INSTRUCTION is the property of VAN GUARD ACCESSORIES LTD. and must not be used for manufacturing purposes, copied nor communicated in any way to third parties without written permission from VAN GUARD ACCESSORIES LTD.

IN8086_A - IW - 03/05/2013

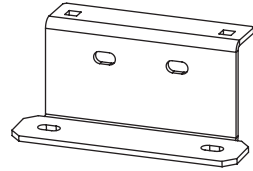
Van Guard Accessories Ltd
 Fair Oak Close, Exeter Airport Business Park,
 Exeter, Devon, EX5 2UL
www.van-guard.co.uk

1 The front & rear roof brackets are handed to suit both sides of the vehicle. The brackets need to be positioned on the vehicle as shown below with the top hat flange facing inwards. **The middle brackets can be secured to either middle fixing point.**

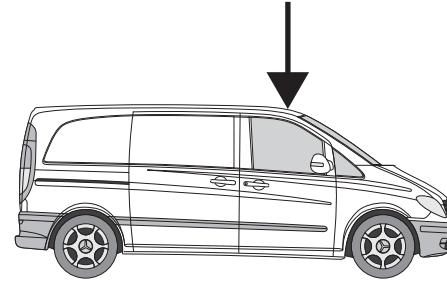
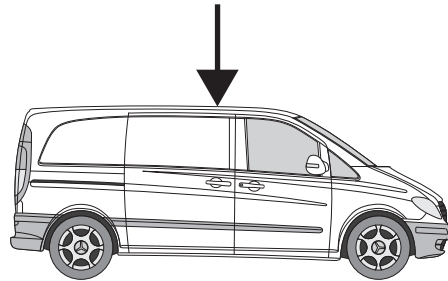
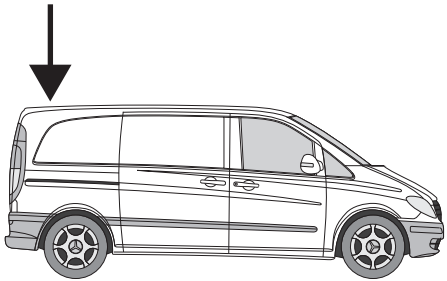
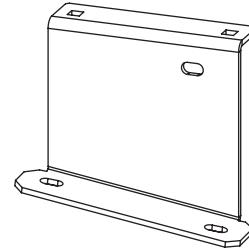
REAR (HANDED) - ILLUSTRATION SHOWS OFFSIDE



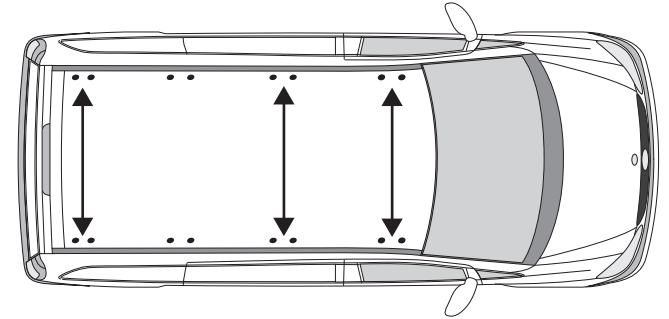
MIDDLE



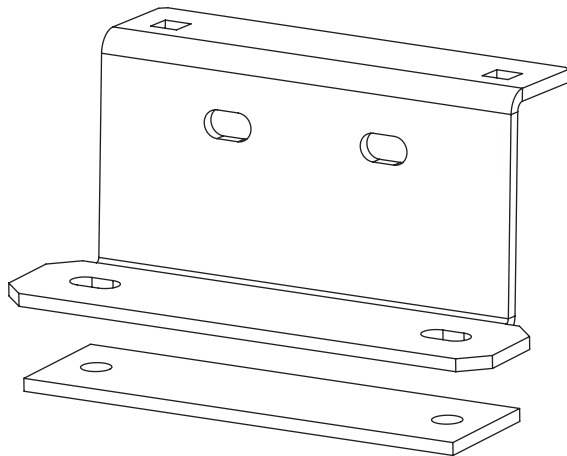
FRONT (HANDED) - ILLUSTRATION SHOWS OFFSIDE



2 Remove roof plugs to reveal the vehicles fixing points.



3 Stick rubber pads to the underside of all roof brackets. **If fitting to an extra long wheelbase van, place the small rubber pads (H20) in the front position on the rear bracket to level the bar.**



4 **Vehicles with threaded insert fixing points:** Secure brackets using M6x16/25* hex bolts (*check fixing points thread depth), M6 washers & rubber washers. (FIG.1)

Vehicles with bolt through fixing points: Secure brackets by bolting through the fixing points using M6x25 hex bolts, M6 washers and rubber washers and secure using rubber washers M6 washers and M6 serrated nuts. (FIG.1&2)

FIG.1

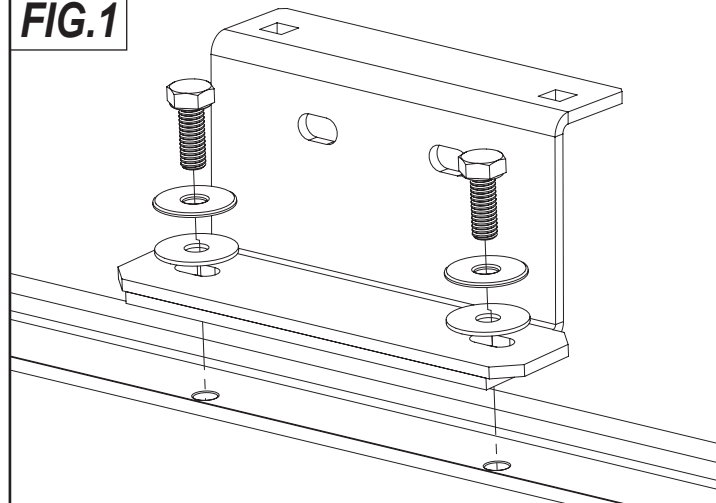
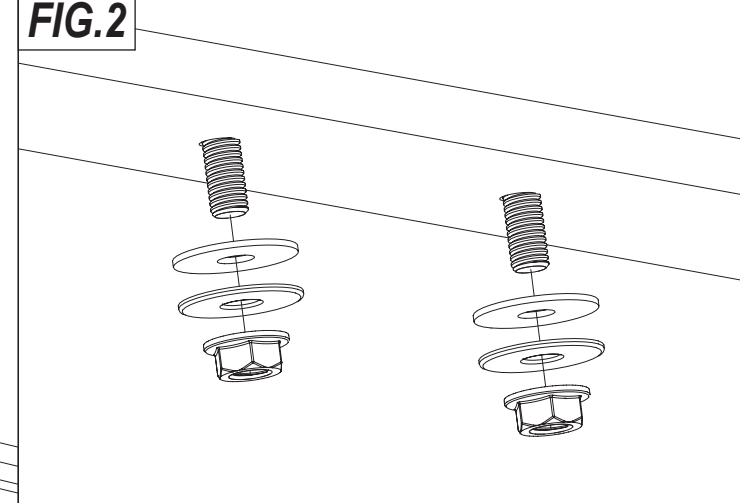
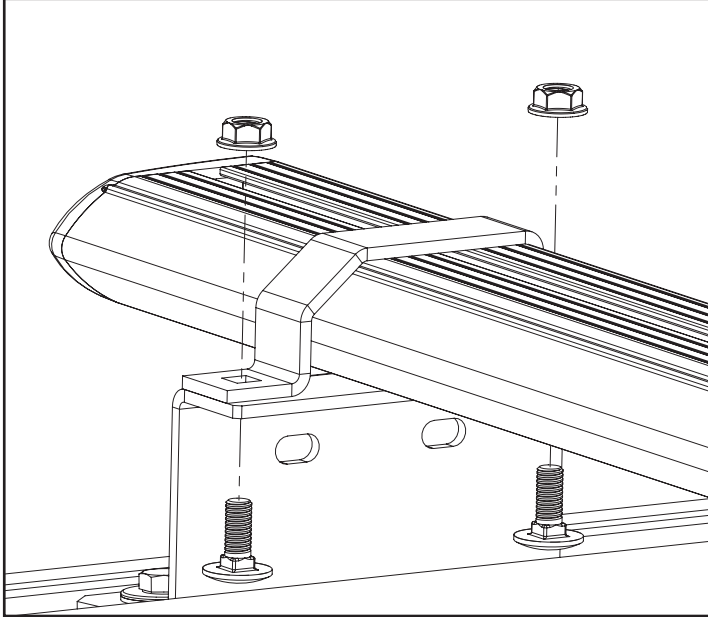


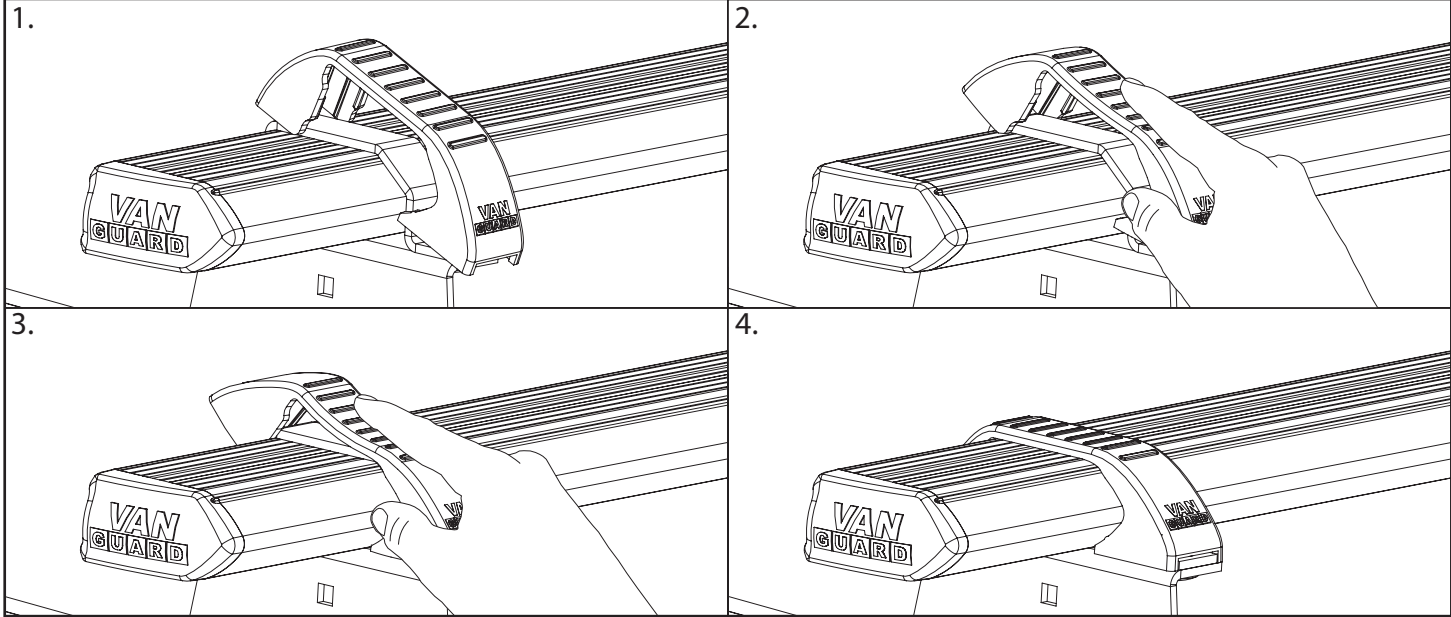
FIG.2



5 Place roof bars onto the roof brackets with the t-slot facing upwards, secure using top hat brackets, M6x16 coach bolts & M6 serrated nuts.



6 Flex the top hat covers over the top hat brackets into position as shown below. Ensure that the covers click into the front and rear of the top hat brackets.



7 Once in position tighten all fixings to 8Nm. Periodically check all fixings.



**TIGHTEN
TO
8Nm**

NOTES:
Maximum load is 55kg per bar. Please check that the vehicle manufacturers load bearing capacity for the roof is not exceeded. (Refer to the vehicle handbook)
Periodically check all fixings.
Retain these instructions for future reference.

VAN GUARD