

# INSTALLATION & OPERATING INSTRUCTIONS

## Valve positioning

Install the valve with the actuator head above the horizontal level of the pipework. The Input and output ports must not be isolated. The flow must be in the direction of the arrow.

## Fitting the valve body to the pipework

Fit the valve body using the nuts and olives provided. When tightening the compression nuts ensure that only the valve body is used for grip. Take care not to over-tighten.

## Removal of actuator from the valve body

To remove the actuator head from the valve body ensure that the manual override lever is in the manual (open) position. Press the detach button, the actuator will detach from the valve body.

## Fitting of actuator to the valve body

Before fitting the actuator to the valve, please ensure that the manual override lever is in the manual ( open) position. The actuator is mounted by aligning the 4mm flat spindle on the valve body to the identically sized slot on the actuator. When the valve and actuator are successfully coupled, the actuator locking mechanism will "click" into place.

Once the valve is fitted, place the manual override lever in the manual open position. It is now possible to flush and drain the system to remove any foreign matter. The system can then be refilled and corrosion inhibitor may be added if required.

## Wiring Connections

For Fixed Wiring Only

Must be fitted to a 3A Fused Supply

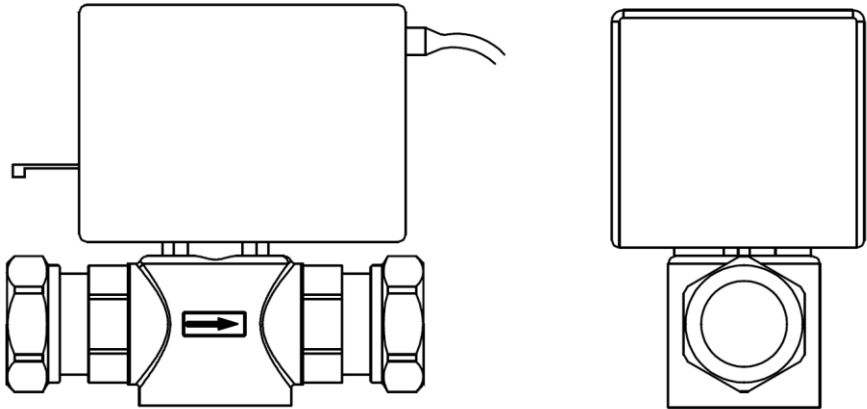
The 1.2 Metre cable can be connected as follows:

Wire Colour	Description
Brown	230V live (normally connected via room or cylinder stat)
Blue	Neutral supply
Grey	Auxiliary switch COM (normally connected to 230V)
Orange	Auxiliary switch N/O (normally connected to Boiler and Pump)
Yellow/Green	Earth connection

This product must be earthed.

Wire product in accordance with current IET wiring regulations.

Please refer to the Fully Pumped System Wiring Diagram on Page 3



## **8982G Installation Guide**

### **Flomasta 2-Port Motorised Valve**

*Please leave this guide with the consumer*

*Helpline Number: 0845 230 5522*

## PRODUCT INFORMATION

**Product:** 8982G 2-Port Motorised Valve



**Product range:** Flomasta

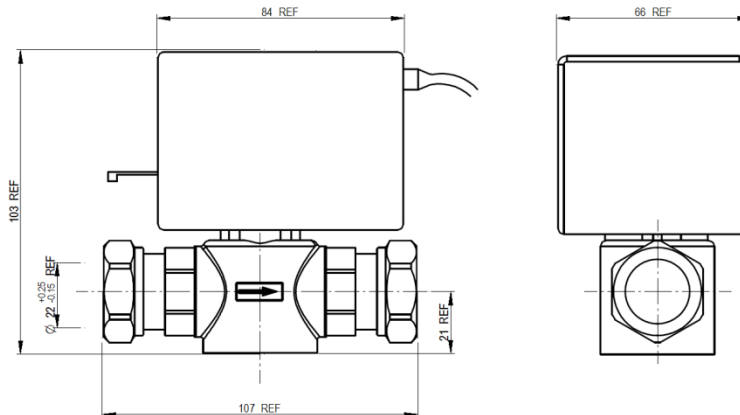
**Contact Address:** Watersmith (UK) Ltd Trade House, Yeovil BA22 8RT

**Helpline number:** 0845 230 5522

## TECHNICAL INFORMATION

<b>Actuator:</b> Voltage rating: 230Vac Power consumption: 5W Impedance protected motor Auxiliary switch rating: 3(1)A Max ambient temperature: 50°C	<b>Valve:</b> Valve type: 22mm KV: 3.5 m <sup>3</sup> /h Max static pressure: 8.6 Bar Max differential pressure: 0.7 Bar Operating temperature: 5 - 88°C
<b>Lead:</b> Cable Length: 1.2m Earth connection required	
Pollution degree: II	Rated impulse voltage: 2.5 KV
Ball pressure test temp: 100°C	
Relevant EC Directives: LVD 2006/95/EC, EMC 2004/108/EC, ROHS 2011/65/EU	

### Dimensions:



# OPERATION

## Actuator operation:

230V Power to Open – Spring return to Close

This is not a fail or safety product.

This control is designed Type 1.AA. C in accordance with EN60730

## Manual override:

Valve may be manually opened for filling or draining the system.

In normal operation, the lever must be in the Auto position.

# Wiring Diagrams

## Fully Pumped System:

