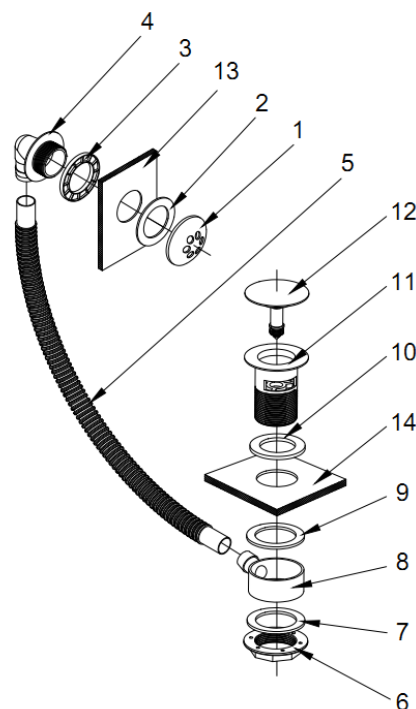


# Sprung Bath Waste Installation & Aftercare

| Item | Description        | Qty |
|------|--------------------|-----|
| 1    | Overflow cover     | 1   |
| 2    | Rubber washer      | 1   |
| 3    | Plastic washer     | 1   |
| 4    | Overflow elbow     | 1   |
| 5    | Overflow tube      | 1   |
| 6    | Screw nut          | 1   |
| 7    | Rubber washer      | 1   |
| 8    | Adaptor            | 1   |
| 9    | Rubber washer      | 1   |
| 10   | Washer(foam)       | 1   |
| 11   | Waste body         | 1   |
| 12   | Waste plug         | 1   |
| 13   | Bath overflow hole | 1   |
| 14   | Bath waste hole    | 1   |



## Installation instructions:

### Sprung Bath Waste

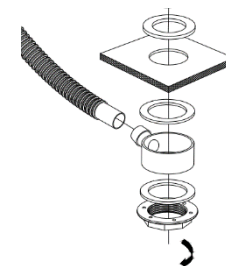
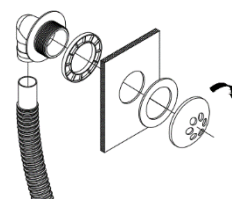
#### Before You Start:

Installation should be carried out by a qualified plumber or other fully competent person.

1. Check all components, please contact your supplier if there are any missing or damaged parts.
2. It is advise to fit the waste to bath BEFORE installation of the bath.

#### Installation:

1. Unscrew and take off the overflow cover(1).
2. Place plastic washer(3) onto the threaded part of overflow elbow(4), then push through the bath overflow(13). A little silicone sealant is advised between the bath overflow hole(13) and overflow elbow(4).
3. Fit rubber washer(2) over the threaded part of overflow elbow(4), and screw overflow cover(1) onto the thread.
4. Unscrew and take off the screw nut(6), rubber washers(7&9), adaptor(8).
5. Re-place rubber washer(9) onto adaptor(8), fit to underside of the bath waste hole(14).
6. Fit waste body(11) together with the foam washer(10) through both the bath waste hole(14) and adaptor(8).
7. Fit rubber washer(7) over the thread part of waste body(11) and tighten screw nut(6). Apply a little silicone sealant or PTFE tap between the waste body(11), bath waste hole(14), adaptor(8), and screw nut(6) to prevent leakage.



#### After care:

Use a clean, soft damp cloth to clean the surface. Abrasive cleaners or acidic cleaners **MUST NOT BE USED** under any circumstances.