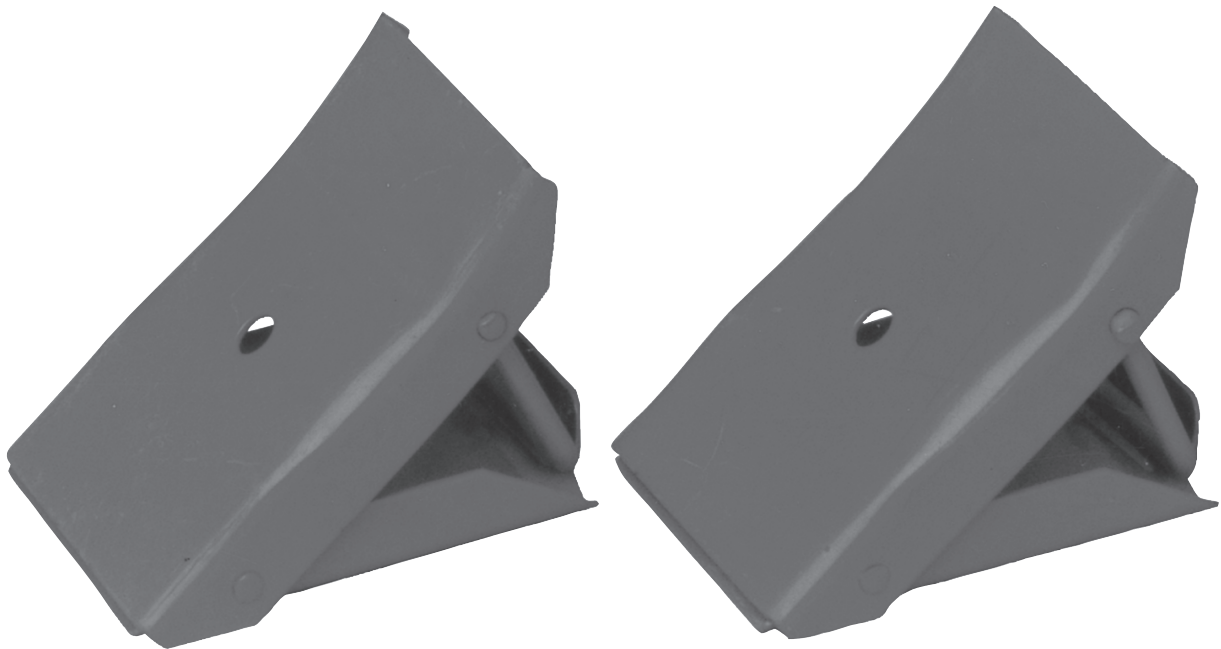


MODEL NO.:82335530

Hilka

Wheel Chocks



Hilka Tools UK Ltd

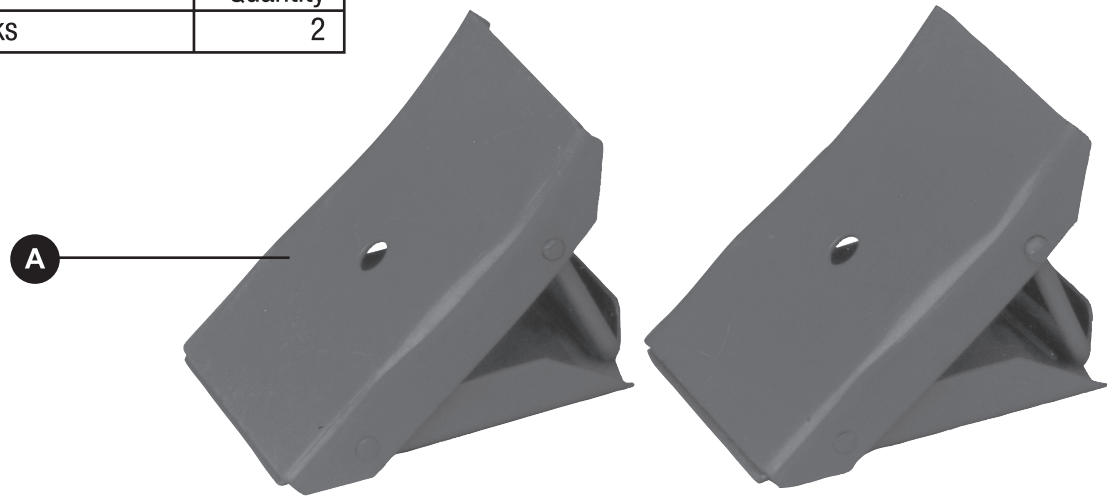
1 Roebuck Place, Roebuck Road,
Chessington, Surrey KT9 1EU



This is the safety alert symbol. It is used to alert you to potential personal injury hazards. Obey all safety messages that follow this symbol to avoid possible injury or death.

PACKAGE CONTENTS

Part	Description	Quantity
A	Wheel Chocks	2



▲ SAFETY INFORMATION

Save these instructions. For your safety, read, understand, and follow the information provided with and on this product before using. The owner and/or operator of this equipment shall have an understanding of safe use/operating procedures before attempting to use. The owner and/or operator shall be aware that the use of this product may require special skills and knowledge. Instructions and safety information shall be conveyed in the operator's native language before use of this device is authorized. If any doubt exists as to the safe and proper use of this product as outlined in this factory authorized manual, remove from service immediately.

Inspect before each use. Do not use if broken, bent, cracked are noted. If the product appears damaged in any way, operates abnormally, it should be removed from service immediately and the manufacturer notified. If you suspect that the product was subjected to a shock load (a load suddenly dropped unexpectedly upon it), immediately discontinue use until product has been checked by a factory authorized service center (contact distributor or manufacturer for list of Authorized Service Centers). It is recommended that an annual inspection be done by qualified personnel. Owner's manuals are available from manufacturer. No other parts are available for this device.

PRODUCT DESCRIPTION

Wheel Chocks have been designed to be used in conjunction with all lifting equipment to help provide a safe, stable lifting condition. This product is intended to be used on cars, vans, and light trucks only. Wheel chocks are not support devices and should not be used to raise or to permanently support/secure a vehicle to prevent movement.

▲ WARNING!

1. FOR USE ON PASSENGER CARS, VAN/LIGHT TRUCKS AND RV'S.
2. USE IN PAIRS ON LEVEL SURFACE ONLY.
3. DO NOT START ENGINE AND ATTEMP TO MOVE VEHICLE WHILE CHOCKS ARE IN USE.
4. BE SURE GEAR SHIFT LEVER IS IN PARK OR IN GEAR (ON MANUAL TRANSMISSION) AND EMERGENCY BRAKE IS SET.
5. FAILURE TO FOLLOW THE INSTRUCTIONS MAY RESULT IN PERSONAL INJURY AND/OR PROPERTY DAMAGE.

PREPARATION

BEFORE USE

1. Verify that the product and the application are compatible.
2. Before using this product, read the owner's manual completely and familiarize yourself thoroughly with the product and its components, and recognize the hazards associated with its use.

OPERATING INSTRUCTIONS

1. Engage the vehicle parking brake if available.
2. Determine which side of the tire needs to be blocked.
4. Slide the Wheel Chocks against the tires.
5. Always use Wheel Chocks in pairs.
6. To prevent accidents, when finished, roll the vehicle clear of the Wheel Chocks.

CARE AND MAINTENANCE

Cleaning

Periodically inspect the wheel chocks for signs of rust or corrosion. If any rust spots are found, sand the affected area and cover with a suitable utility paint. Wipe chocks with a clean dry cloth.