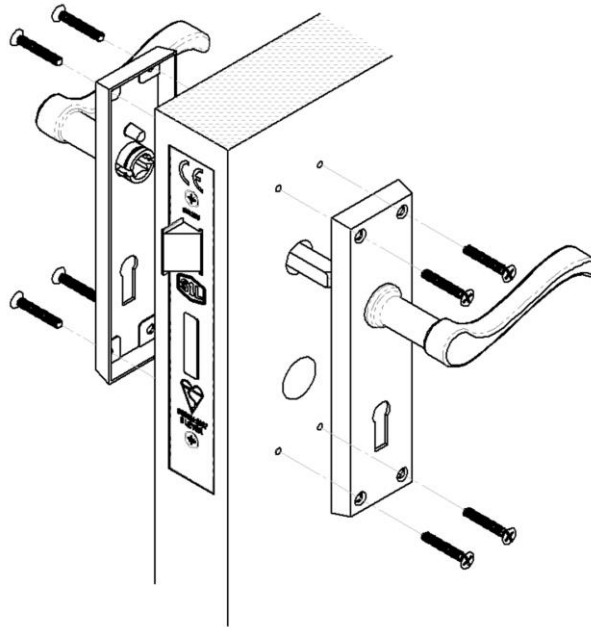




## Face Fix Mortise Knob Fitting Instructions



1. Measure the backset of the lock/latch and mark the centre using a bradawl/pencil.
2. Using a 20mm diameter bit, drill a hole at the marked location.
3. Insert the spindle into one of the levers and securely fix the grub screw, ensuring enough of the spindle is free to pass through the door and to be secured in the opposing lever.
4. Place the lever through the door so the spindle passes through the latch/lock follower.
5. Mark the fixing screw holes with a bradawl/pencil.
6. Remove the lever and drill pilot holes for the wood screws to a depth of 5mm using a 2mm diameter drill bit.
7. Place the lever back onto the door and evenly hand tighten the wood screws.
8. Place the opposing lever on the opposite side of the door and tighten up the grub screw, repeating steps 5 and 6.
9. Evenly hand tighten the wood screws and recheck all the fixings are secure. If the levers do not operate freely, check alignment of all components.

