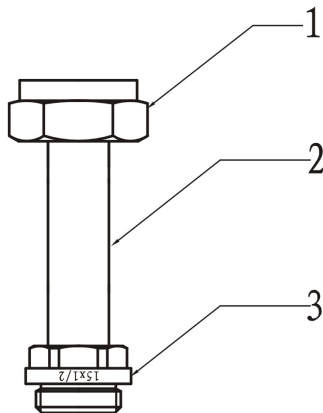


# 78169 接管 10x10cm

## Fitting Instructions



- 1.Hexagonal thread connector(Female, 3/4))
- 2.Adaptor
- 3.Hexagonal thread connector(Male, 1/2)

(1)Screw 3 into the radiator with same PTFE  
(2)Install 1 to valve(not supplied)