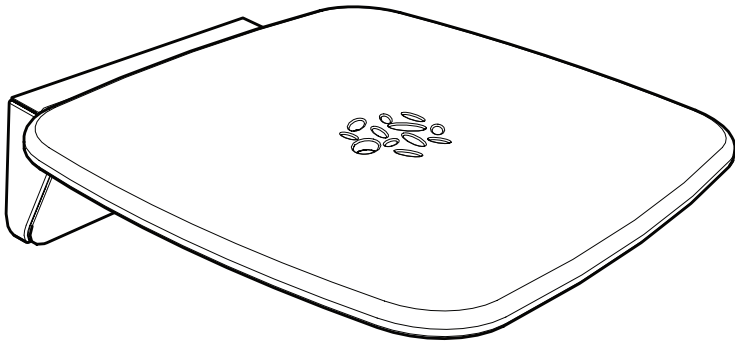


# ***mira***



## **SHOWERS**



**MIRA PREMIUM SHOWER SEAT**

**1731.001 & 1731.002**

**Installation & User Guide**

**These instructions must be left with the user**

## Important Points

The Mira shower seat has been designed for installation inside a shower cubicle, over a bath or within the drying area.

The shower seat must be secured to a flat, sound and solid wall surface ('solid' means constructed of brick or high density concrete block).

**Warning!** All screws and wall plugs supplied **must** be securely fitted to the full depth.

**Warning!** This product has been designed as a seat only and should not be used for any other purposes.

**Note!** The shower seat may be fixed to other wall types, but advice **must** be sought from a competent builder regarding wall structure and fastening prior to fitting.

Cavities, voids, loose material, cables and pipes **must** be avoided when locating the fixing screws.

Maximum Weight - **150 kg (23 stone)** evenly distributed about the seat.

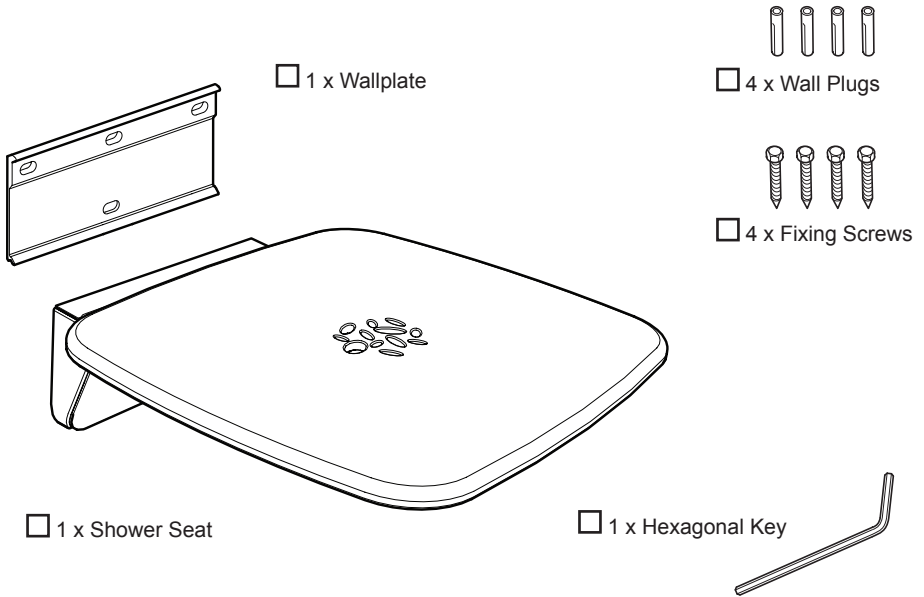
## Fixing Height

The fixing height of the shower seat depends largely on the height of the user, it will usually be somewhere between 400-500 mm above the bottom of the shower tray, bath or floor.

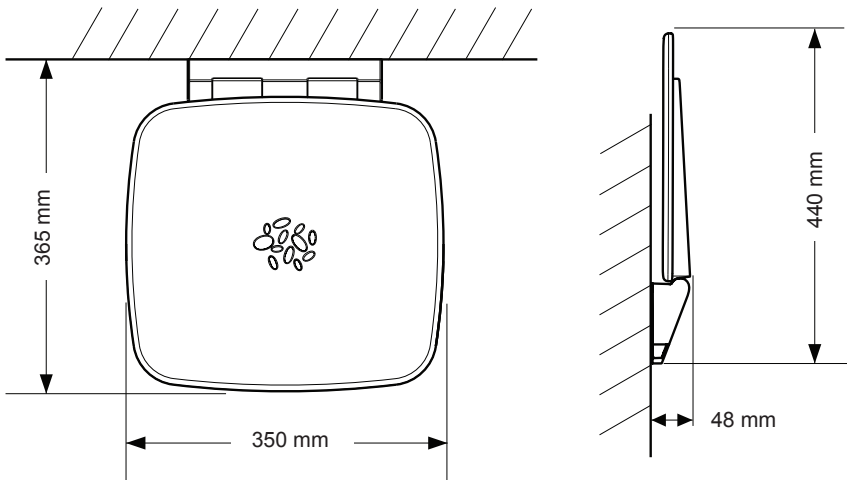
A simple method of determining the shower seat height would be to measure the seat height of the users favourite/most comfortable chair, and fix the shower seat at a similar height.

# PACK CONTENTS

Tick the appropriate boxes to familiarise yourself with the part names and to confirm that all of the parts are included.



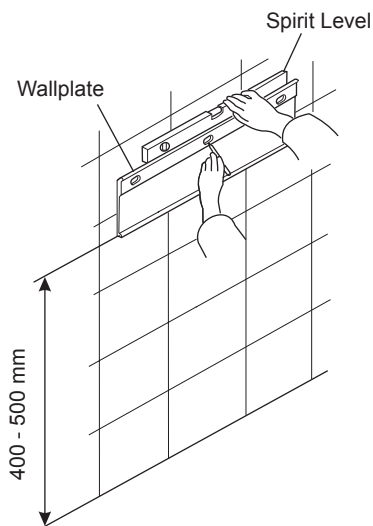
# DIMENSIONS



# INSTALLATION

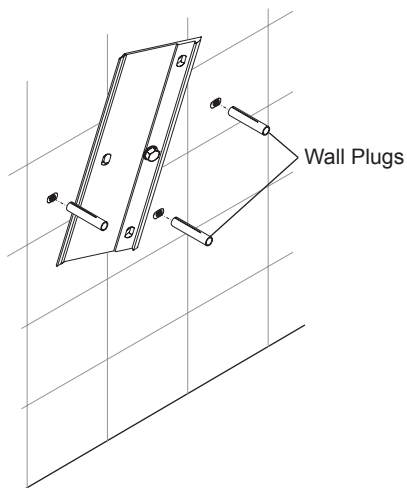
**Warning!** An incorrectly fitted shower seat may result in injury to the user.

1. Decide on a suitable position for the shower seat. The fixing height depends largely on the height of the user, it will usually be somewhere between 400 - 500 mm above the bottom of the shower tray, bath or floor.
2. Hold the wallplate with the flat edge against the wall and the 3 screw holes at the top. Use a spirit level to make sure that the wallplate is level and mark the position of the centre screw hole.
3. Drill a  $\text{\O}10$  mm hole and insert the wall plug. Secure the wallplate to the wall with the screw supplied.

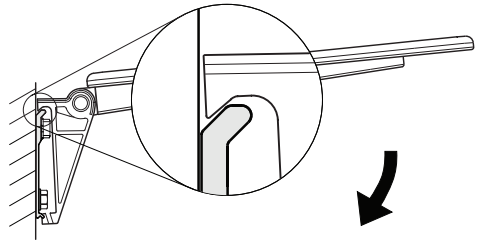


**Warning!** Make sure there are no buried cables or pipes in the wall before drilling. The wall must be vertical and flat.

4. Use a spirit level to make sure that the wallplate is level and mark the positions of the 3 remaining holes.
  5. Rotate the wallplate clear of the marked positions and drill and plug the holes.
  6. Rotate the wallplate back into position and secure the wallplate to the wall.
- Important!** Make sure that all 4 screws are fitted to their full depth.

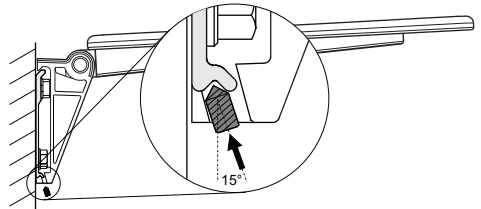


7. Fit the shower seat over the wallplate, making sure that the top lip of the body sits on the top edge of the wallplate .



8. Secure the shower seat to the wallplate with the grub screw. Make sure that the seat pivots up and down freely.

**Note!** The grub screw on the bottom of the seat must be fixed at an angle of 15°.



# MAINTENANCE

## Cleaning and Maintenance

Many household cleaners contain abrasive and chemical substances, and should not be used for cleaning plated or plastic fittings. These finishes should be cleaned with a mild washing up detergent or soap solution, and then wiped dry using a soft cloth.

**Caution!** First test any cleaning product on an inconspicuous area of the seat in case it causes any damage or discolouration.

# SPARE PARTS

1731.007 Shower Seat Wallplate

# CUSTOMER SERVICE

## Guarantee

Your product has the benefit of our manufacturer's guarantee which starts from the date of purchase.

To activate this guarantee, please return your completed registration card, visit our website or free phone 0800 0731248 within 30 days of purchase (UK only).

Within the guarantee period we will resolve defects in materials or workmanship, free of charge, by repairing or replacing parts or product as we may choose.

**This guarantee is in addition to your statutory rights and is subject to the following conditions:**

- The product must be installed and maintained in accordance with the instructions given in this user guide.
- Servicing must only be undertaken by us or our appointed representative. **Note!** if a service visit is required the product must be fully installed and connected to services.
- Repair under this guarantee does not extend the original expiry date. The guarantee on any replacement parts or product ends at the original expiry date.
- For shower fittings or consumable items we reserve the right to supply replacement parts only.

**The guarantee does not cover:**

- Call out charges for non product faults (such as damage or performance issues arising from incorrect installation, improper use, lack of maintenance, build up of limescale, frost damage, corrosion, system debris or blocked filters) or where no fault has been found with the product.
- Water or electrical supply, waste and isolation issues.
- Compensation for loss of use of the product or consequential loss of any kind.
- Damage or defects caused if the product is repaired or modified by persons not authorised by us or our appointed representative.
- Routine maintenance or replacement parts to comply with the requirements of the TMV 2 or TMV 3 healthcare schemes.

## What to do if something goes wrong

If your product does not function correctly when you first use it, contact your installer to check that it is installed and commissioned in accordance with the instructions in this manual.

Should this not resolve the issue, contact our Customer Services Team who will offer you or your installer advice and if applicable arrange for a Service Technician to call.

If the performance of your product declines, check in this manual to see if simple home maintenance is required. If you require further assistance call our Customer Services Team.

## Extended Guarantees

A selection of protection plans are available that enable you to cover repair bills for the life of your policy (excludes Eire). Ring 01922 471763 for more details.

## Helpdesk Service

Our dedicated Customer Services Team is comprehensively trained and can offer help and advice, spare parts, accessories or a service visit. We will need you to have your model name or number, power rating (if applicable) and date of purchase. As part of our quality and training programme calls may be recorded or monitored.

## Mira Showers Website ([www.mirashowers.co.uk](http://www.mirashowers.co.uk))

From our website you can register your guarantee, download additional user guides, diagnose faults, purchase our full range of accessories and popular spares, refer to our FAQ's and request a service visit.

## Spares and Accessories

We maintain extensive stocks of genuine spares and accessories and aim to provide support throughout the product's expected life. Payment can be made by phone at time of order using most major Credit or Debit cards and we aim to despatch orders within two working days. Items purchased from us are guaranteed for 12 months from date of purchase. For safety reasons spares exposed to mains voltages should only be fitted by competent persons.

**Returns** – items can be returned within one month of date of purchase, providing that they are in good condition and the packaging is unopened. Please obtain authorisation from our Customer Services Team before return. We reserve the right to apply a 15% restocking charge.

## Service / Repairs

We have a nationwide team of Service Technicians who can carry out all service or repair work to your product within the guarantee period and beyond. You have the assurance of a fully trained Mira Technician, genuine Mira spare parts and a 12 month guarantee on any chargeable work done.

Payment should be made directly to the Service Technician who will accept most major Credit or Debit cards.

## To Contact Us

### UK

**Telephone: 0844 571 5000**

Mon to Fri 8:00 am - 5:30 pm, Sat 8:30 am - 3:30 pm

E-mail: [technical@mirashowers.com](mailto:technical@mirashowers.com)

Fax: 01242 282595

By Post: Mira Customer Services Dept, Cromwell Road, Cheltenham, Gloucestershire, GL52 5EP

### Eire

**Telephone: 01 459 1344**

Mon to Fri 9:00 am - 5:00 pm

E-mail: [sales@modernplant.ie](mailto:sales@modernplant.ie)

Fax: Dublin 01 459 2329

By Post: Modern Plant Ltd (Dublin), Otter House, Naas Road, Clondalkin, Dublin 22

Mira is a registered trade mark of  
Kohler Mira Limited.

The company reserves the right to alter  
product specifications without notice.

0280GA00FMIR



**mira**  
SHOWERS

FM 14648